
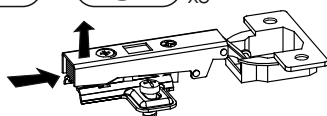
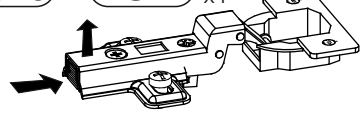








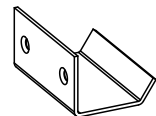



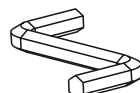


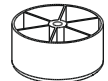
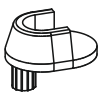
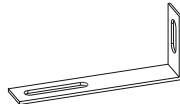



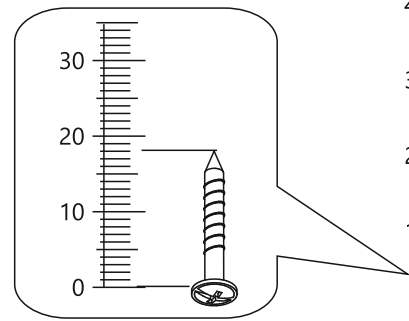
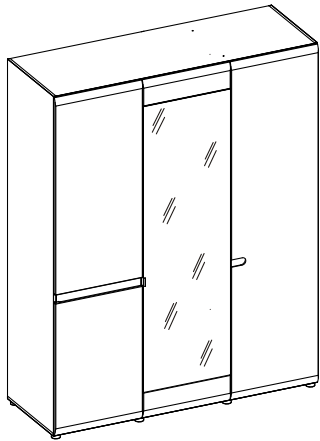
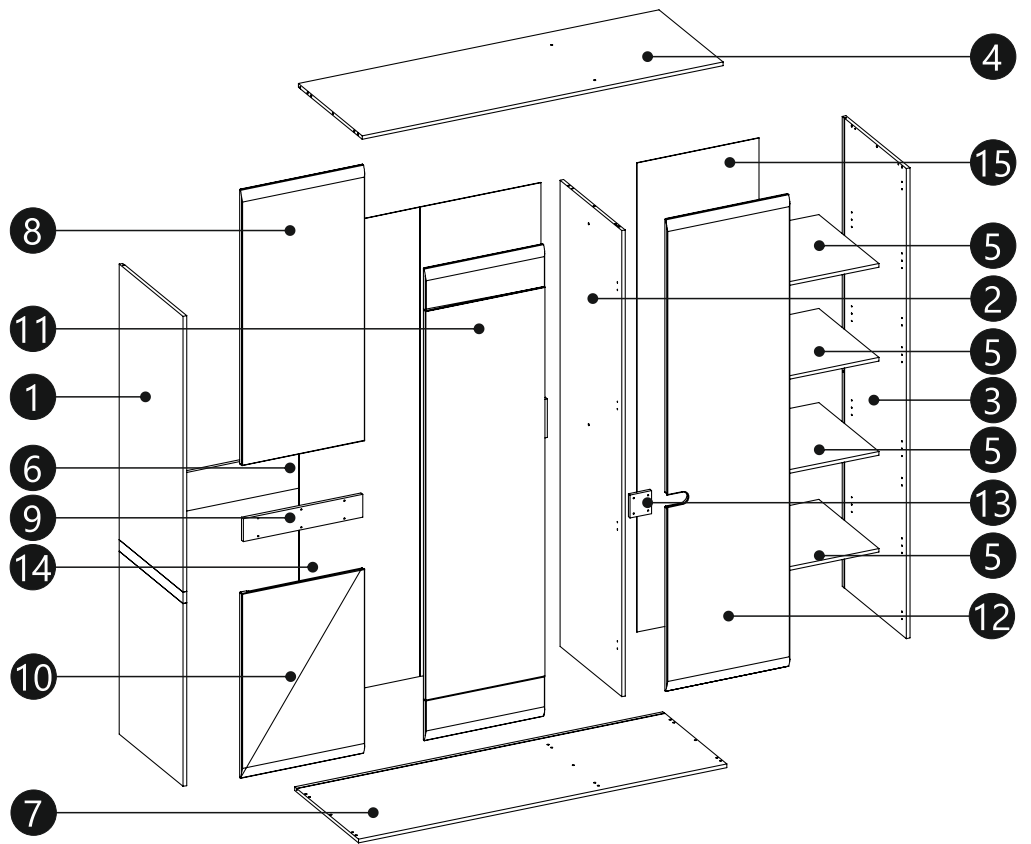


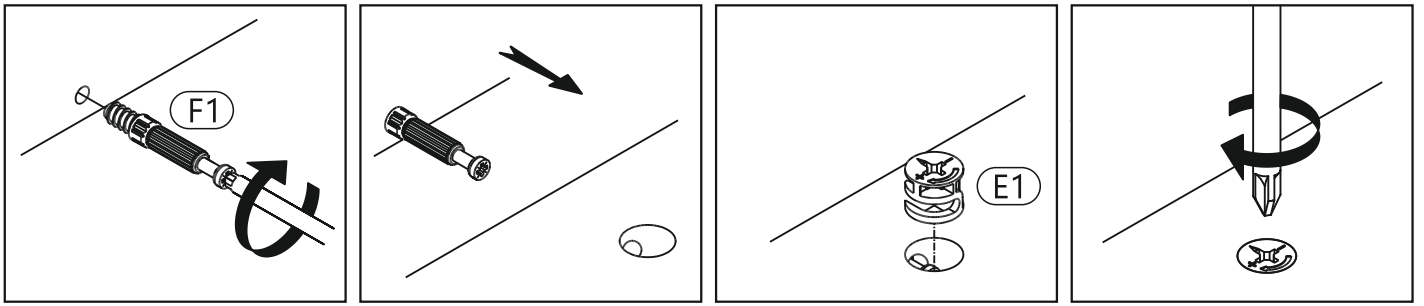
<p><b>(A1)</b> x22 <math>\phi 8 \times 35\text{mm}</math></p> 	<p><b>(BC11) + (BC12)</b> x8</p> 	<p><b>(BC13) + (BC14)</b> x4</p> 
<p><b>(C1)</b> x24 <math>4 \times 13\text{mm}</math></p> 	<p><b>(D2)</b> x16</p> 	<p><b>(E0a)</b> x4</p> 
<p><b>(E0b)</b> x4</p> 	<p><b>(E1)</b> x8 <math>\phi 15 \times 12\text{mm}</math></p> 	<p><b>(F1)</b> x8 <math>\phi 6 \times 34\text{mm}</math></p> 
<p><b>(G0)</b> x8</p> 	<p><b>(G1)</b> x8 <math>\phi 7 \times 50\text{mm}</math></p> 	<p><b>(H1)</b> x1 t</p> 
<p><b>(I2)</b> x1 <math>4 \times 16\text{mm}</math></p> 	<p><b>(I5)</b> x12 <math>4 \times 30\text{mm}</math></p> 	<p><b>(I10)</b> x8 <math>3,5 \times 22\text{mm}</math></p> 
<p><b>(M)</b> x1</p> 	<p><b>(N1)</b> x20 <math>3 \times 16\text{mm}</math></p> 	<p><b>(N2)</b> x2 <math>3,5 \times 16 \text{mm}</math></p> 
<p><b>(O15)</b> x8 <math>\phi 50 \times 25</math></p> 	<p><b>(P4)</b> x4</p> 	<p><b>(Q9)</b> x1</p> 
<p><b>(R1)</b> x13</p> 	<p><b>(R4)</b> x24</p> 	<p><b>(Z1)</b> x2</p> 



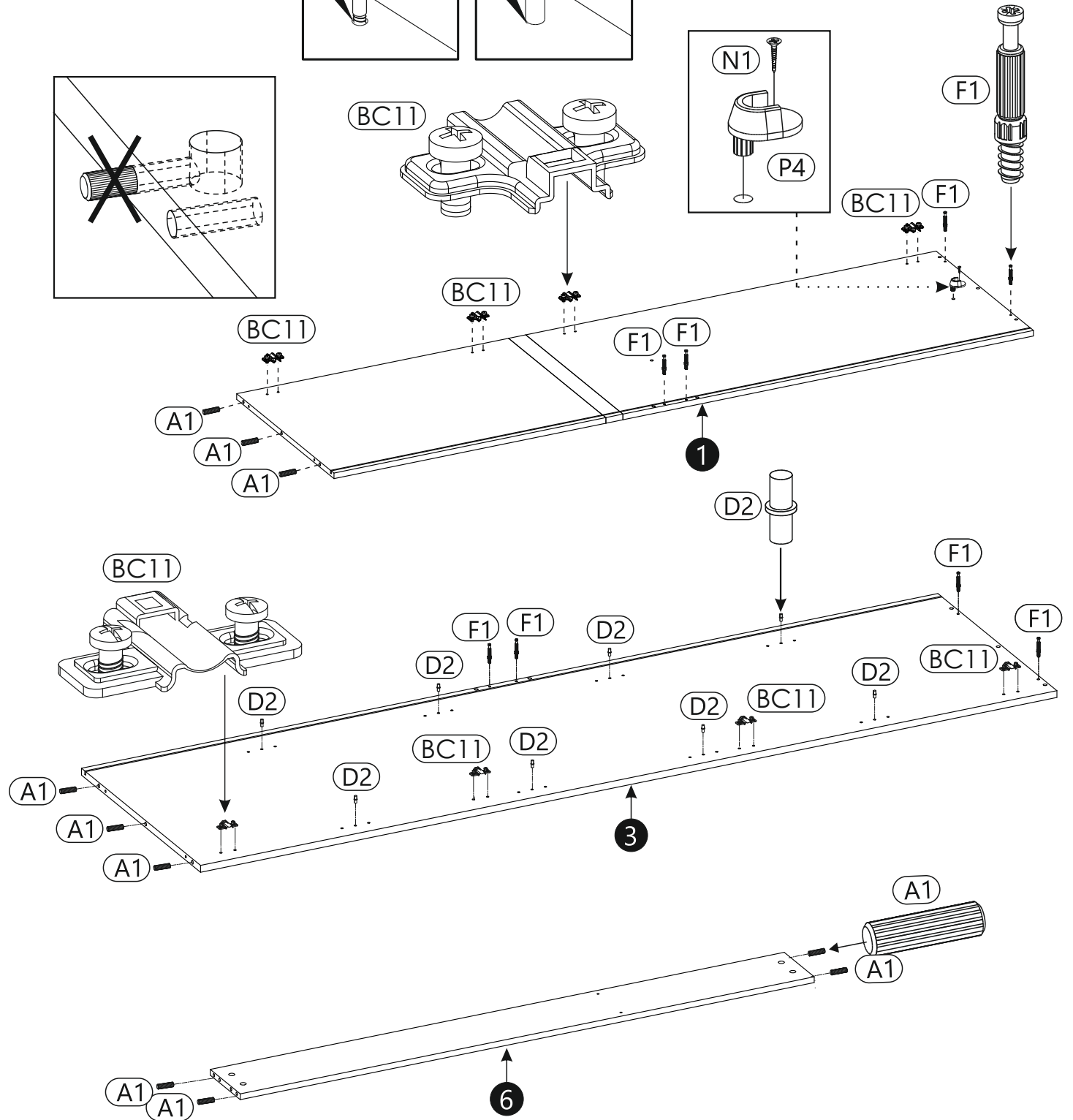
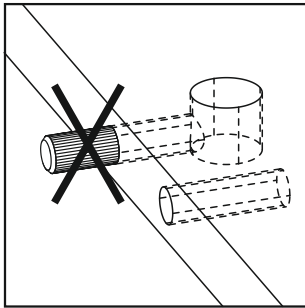
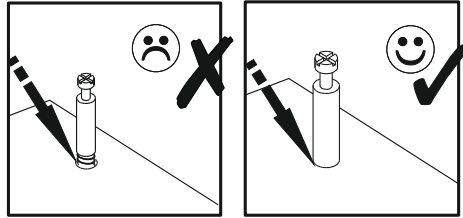


1	2050	570	16	x1	4/4
2	2033	550	16	x1	3/4
3	2050	570	16	x1	4/4
4	1607	570	16	x1	3/4
5	528	534	16	x1	1/4
6	1607	168	16	x1	3/4
7	1640	570	16	x1	3/4
8	1200	548	19	x3	1/4
9	532	100	16	x1	3/4
10	811	548	19	x1	1/4
11	2061	532	19	x1	2/4
12	2061	548	19	x1	2/4
13	100	96	16	x1	3/4
14	2047	1076	4	x1	4/4
15	2047	543	4	x1	4/4

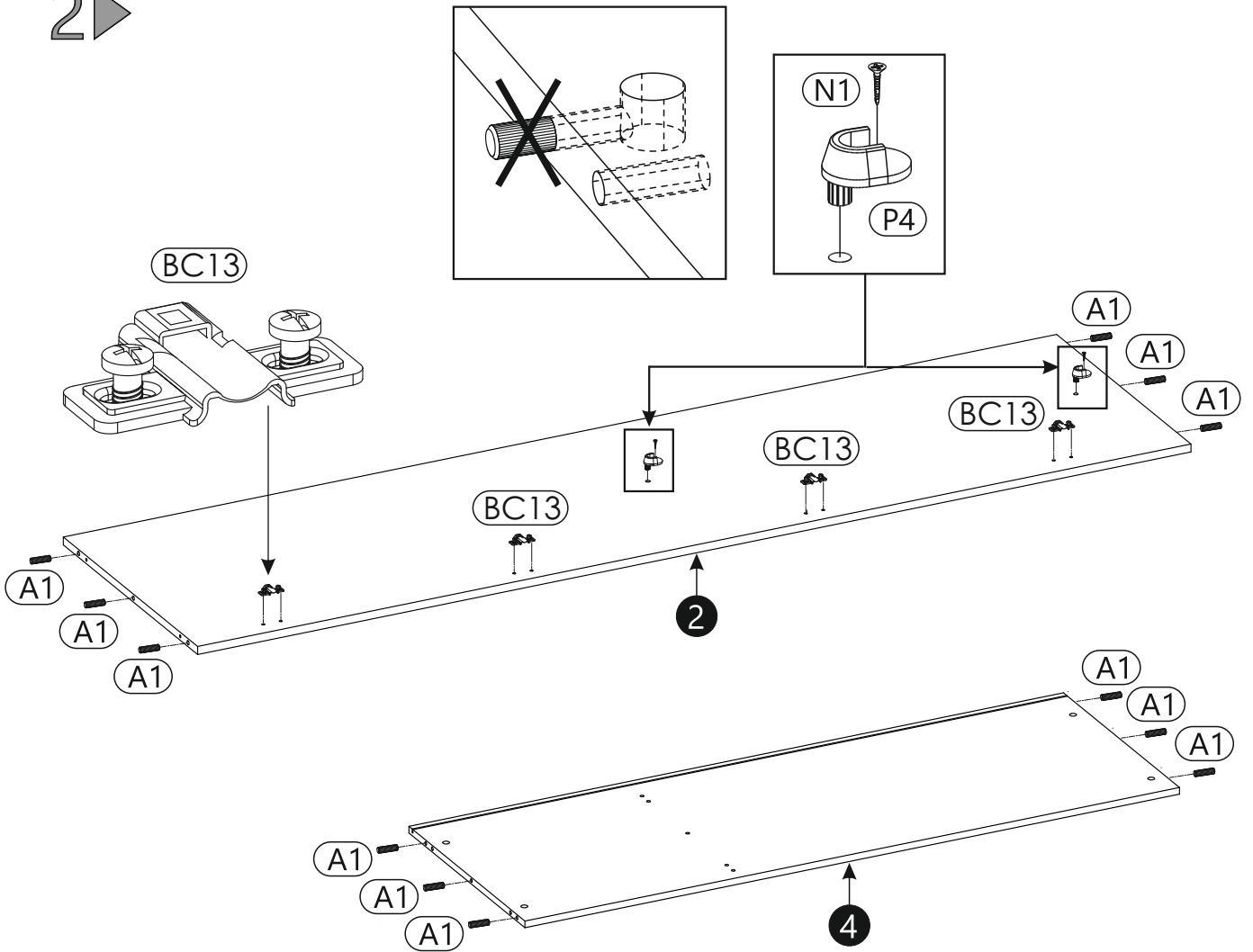




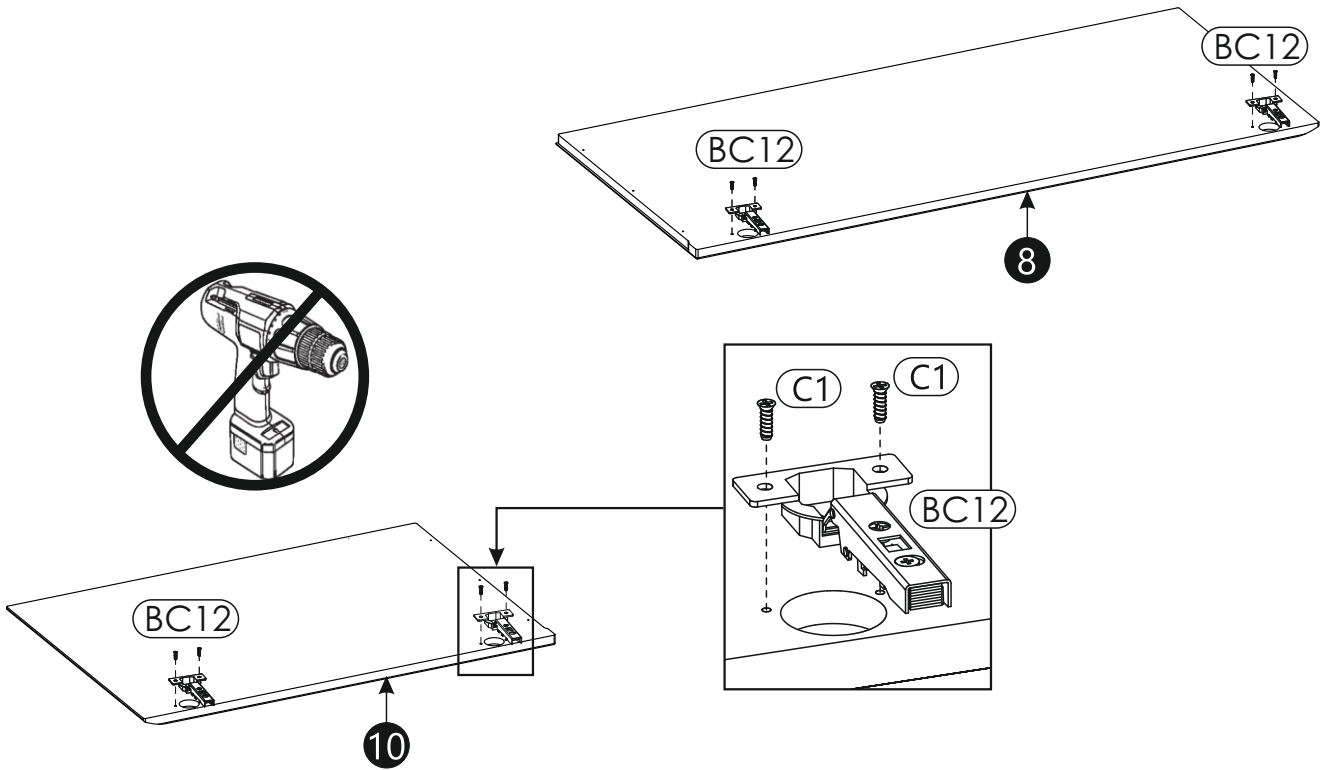
1 ▶



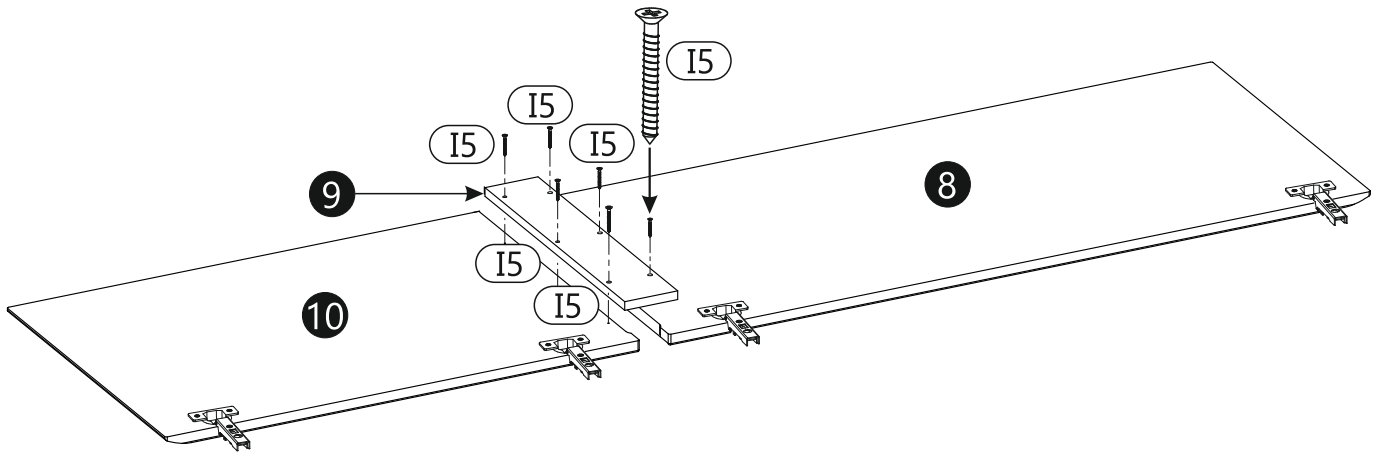
2 ▶



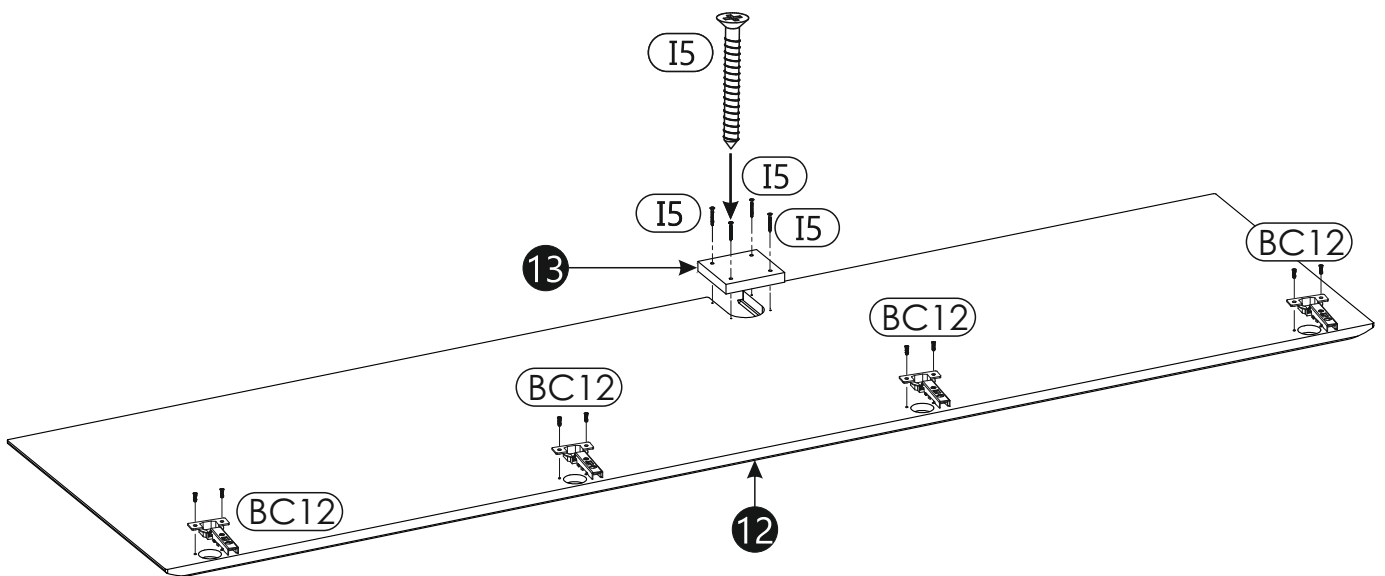
3 ▶



4 ▶

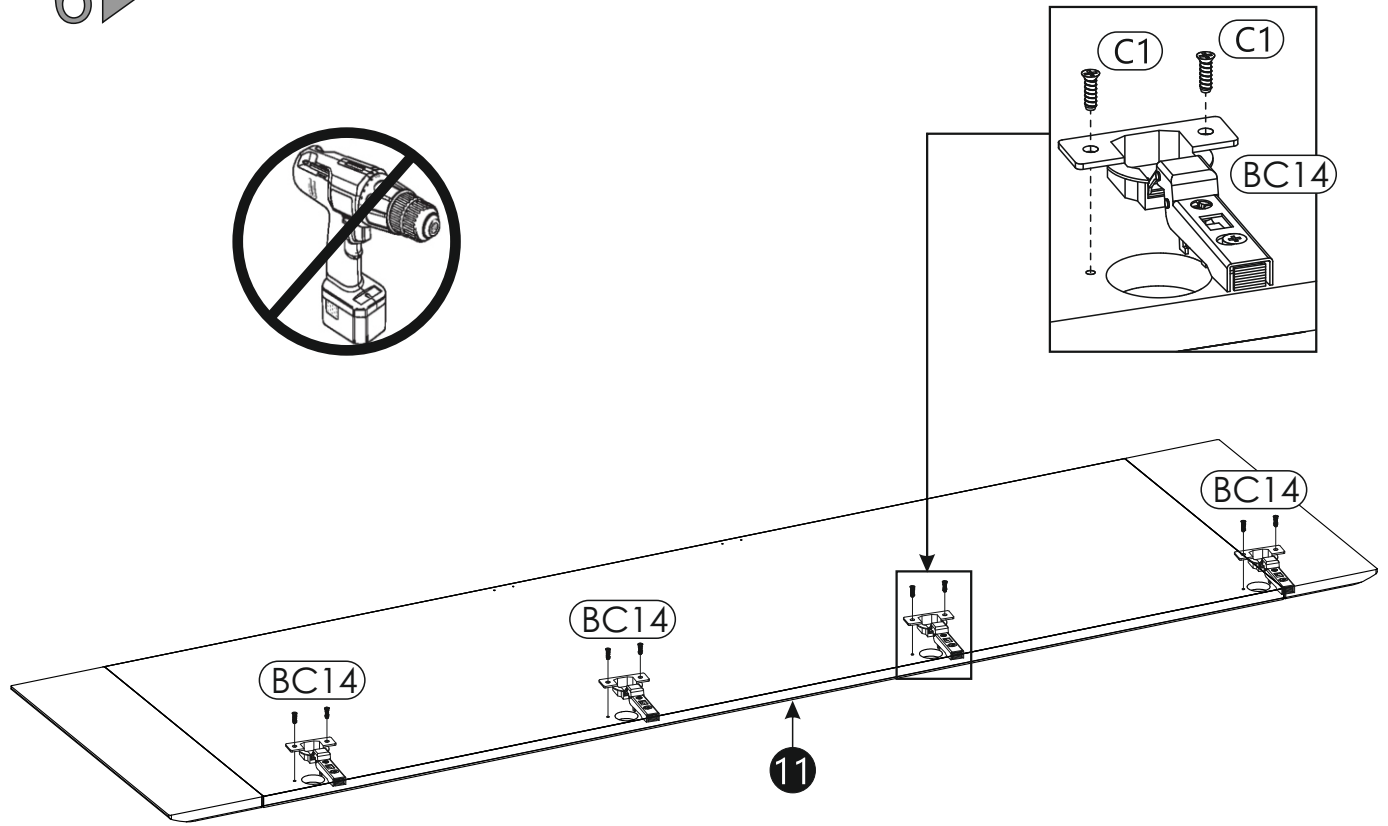
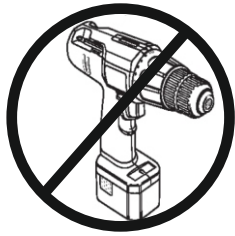


5 ▶

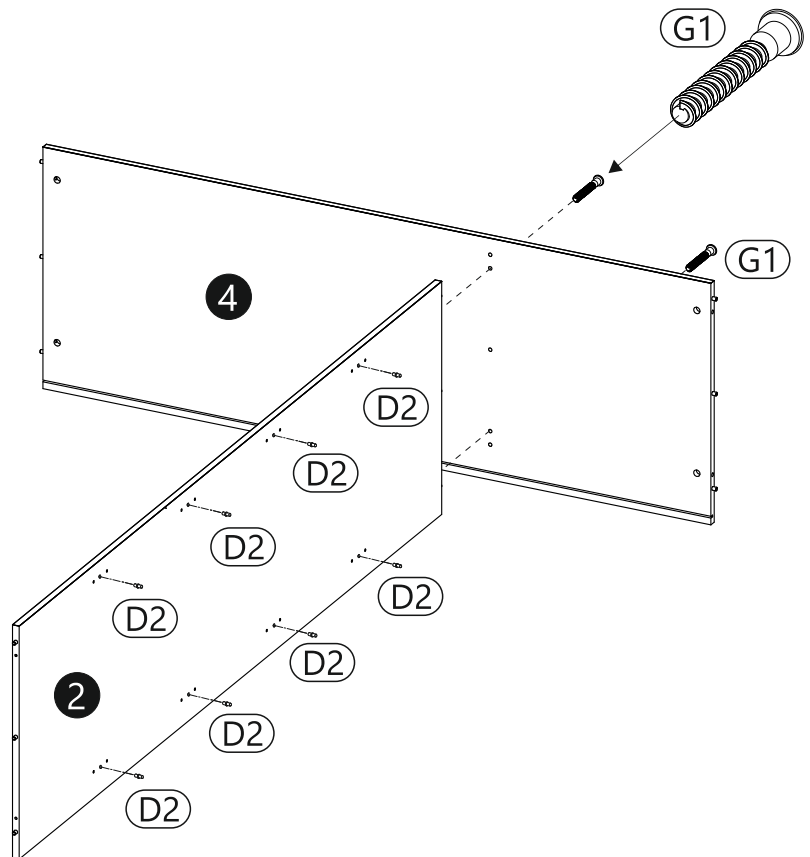




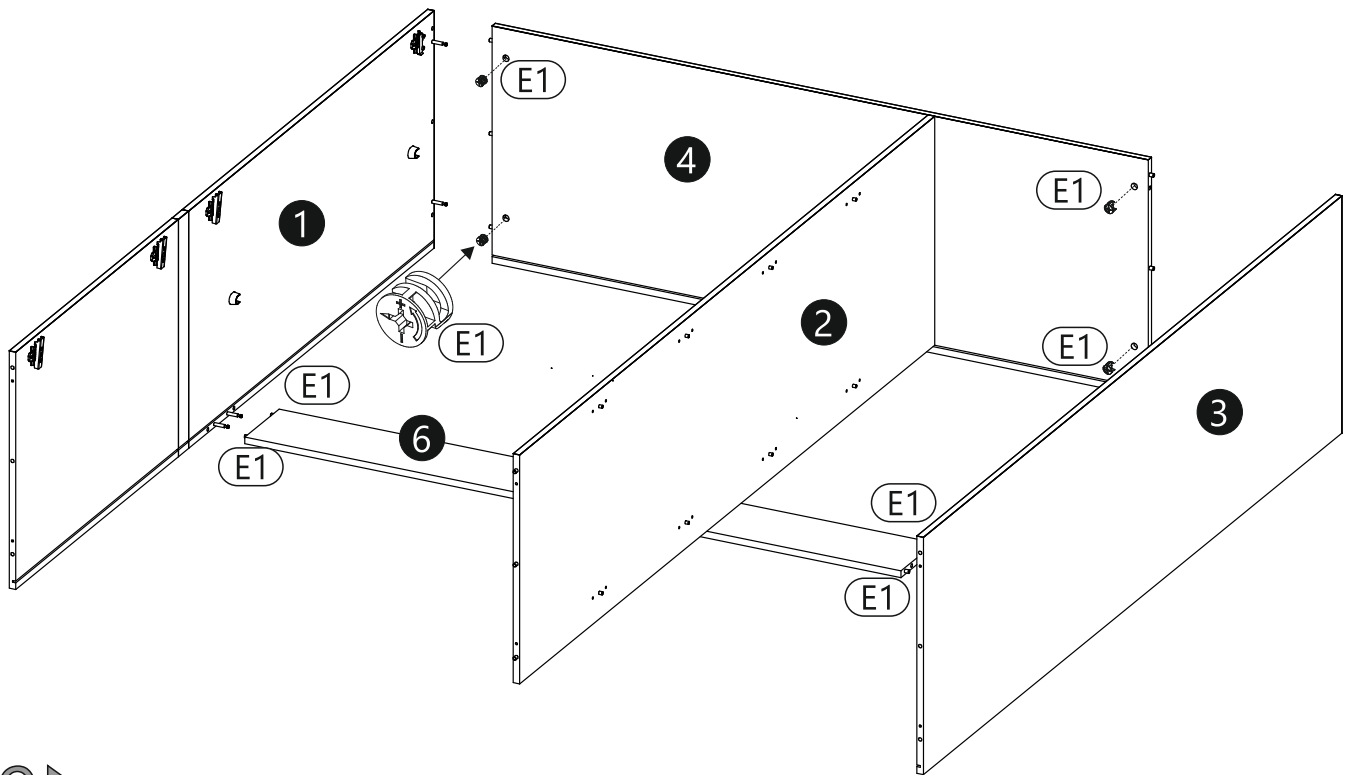
6 ▶



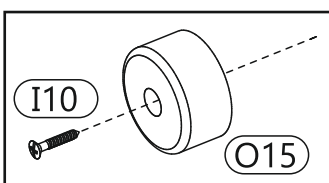
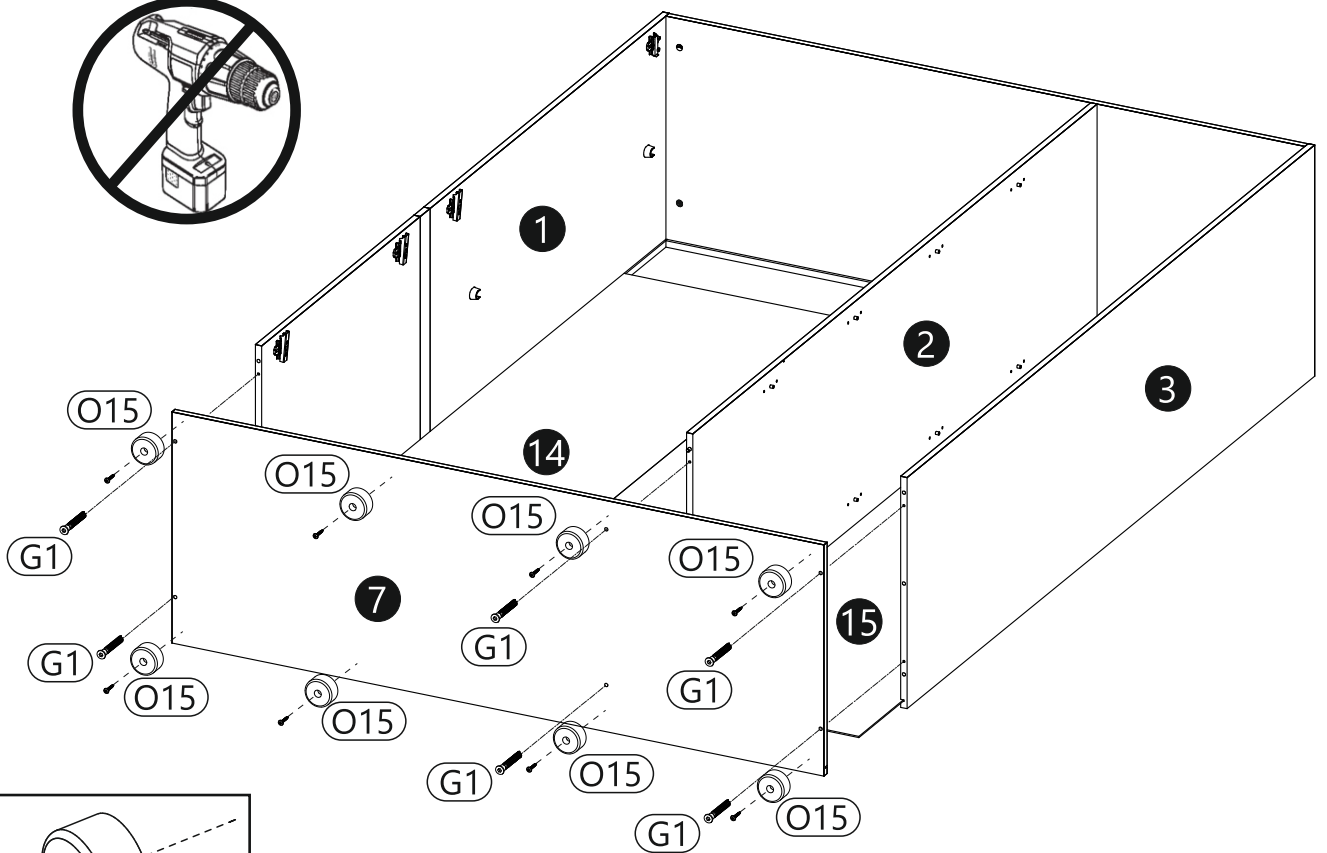
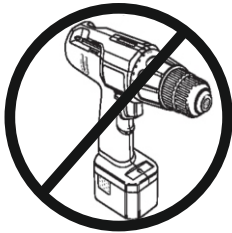
7 ▶

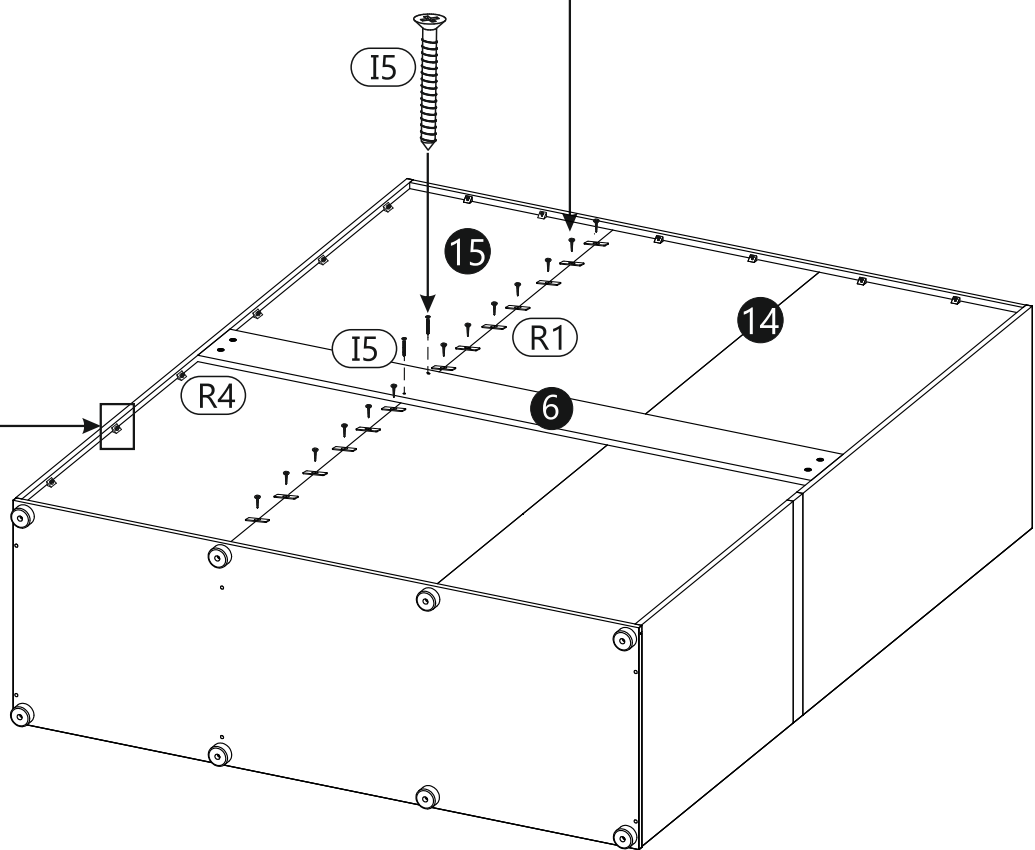
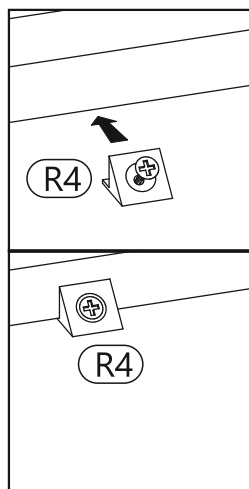
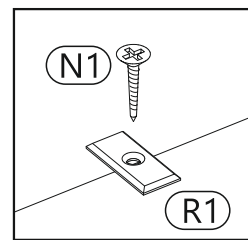
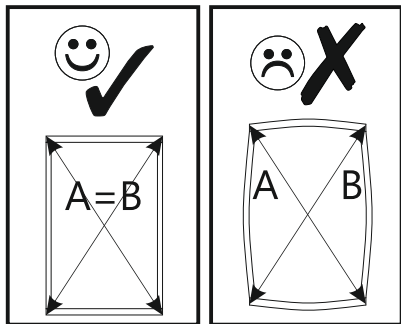


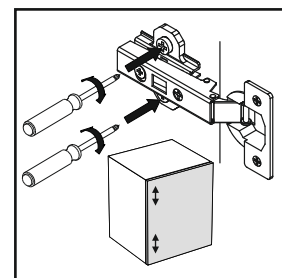
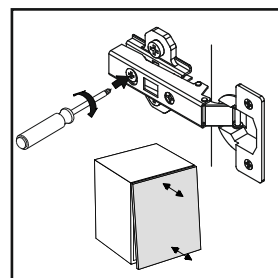
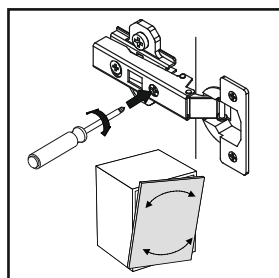
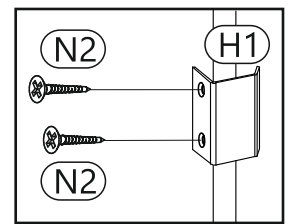
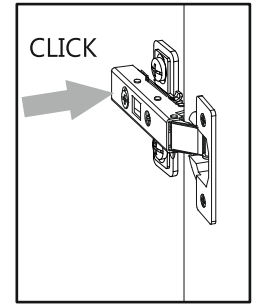
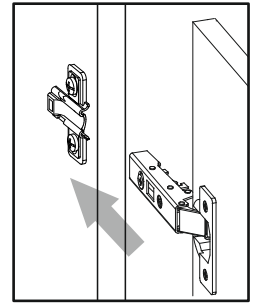
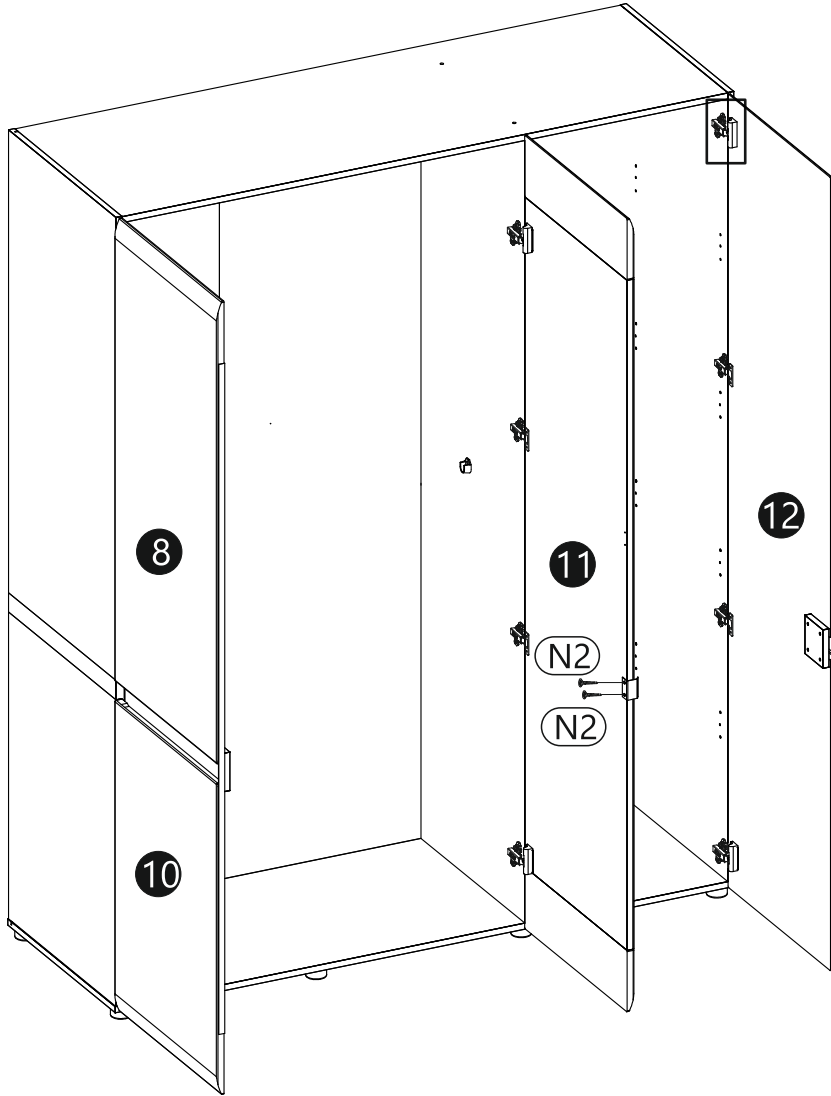
8 ▶



9 ▶







12 ▶

