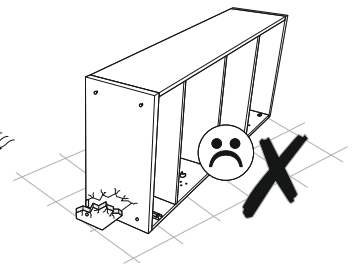
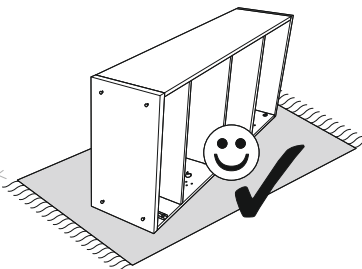
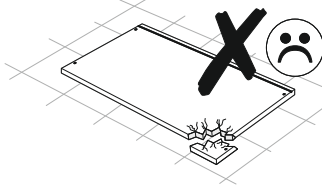
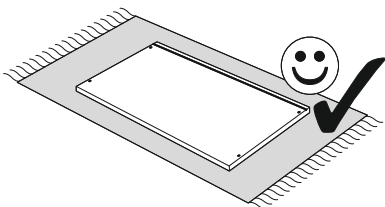
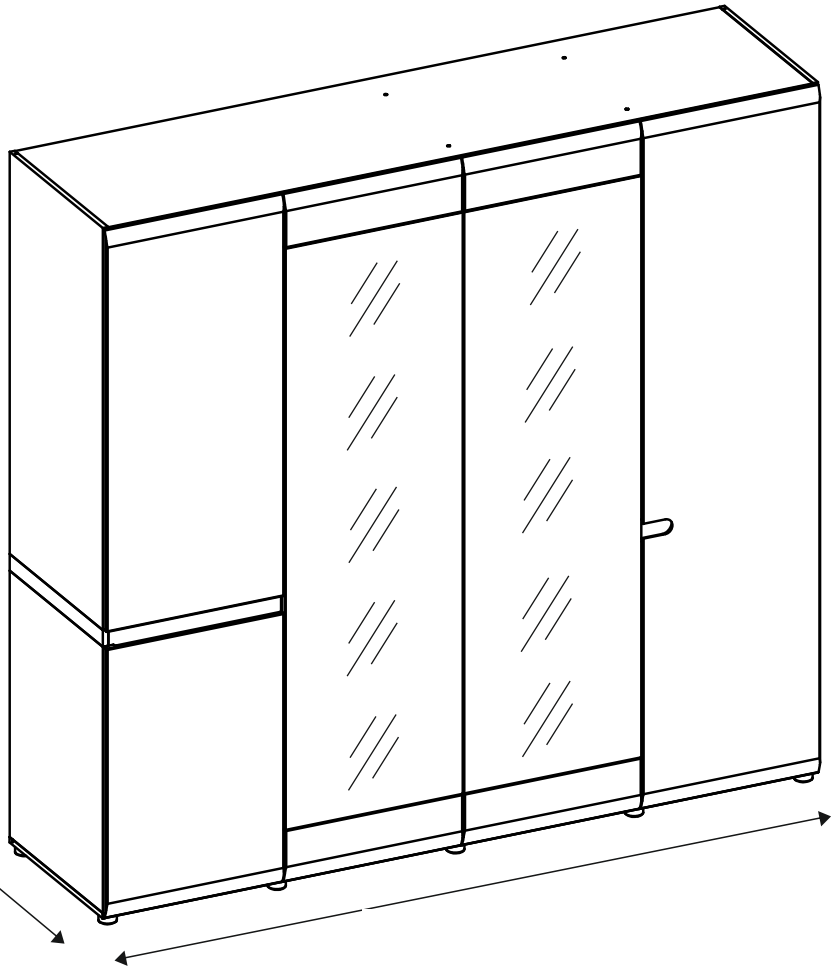
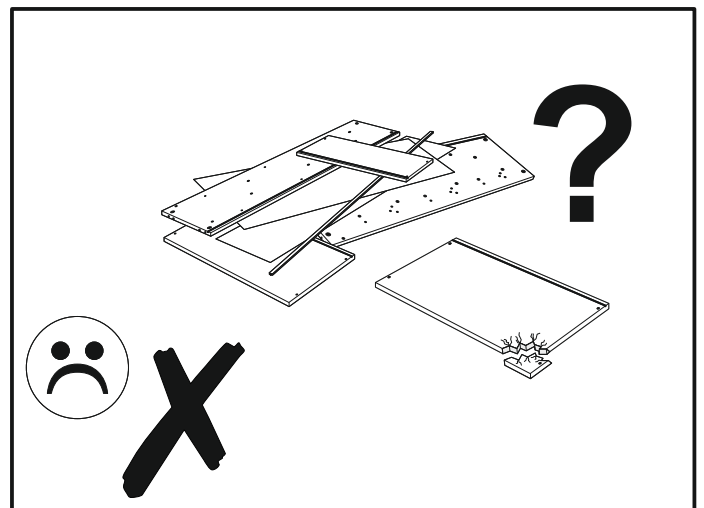
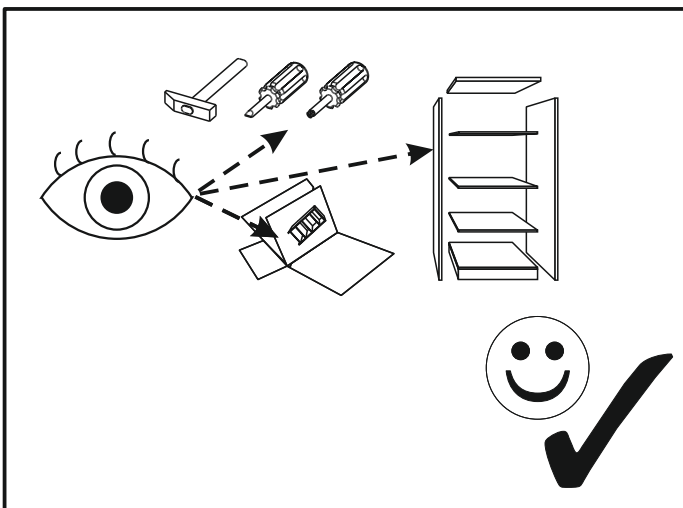
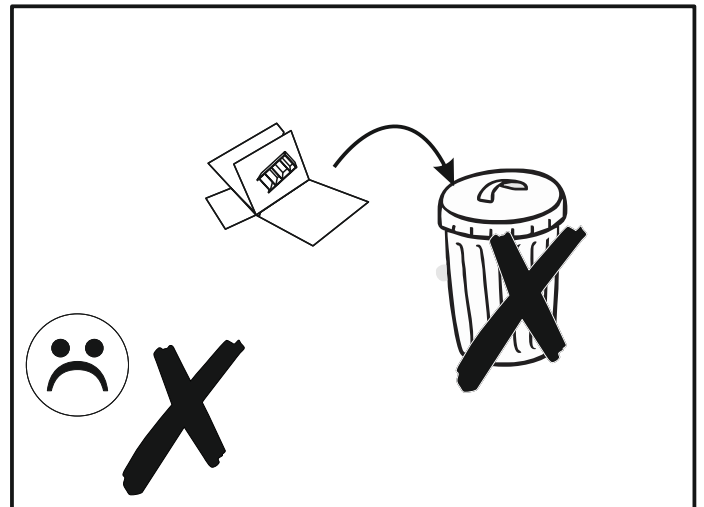
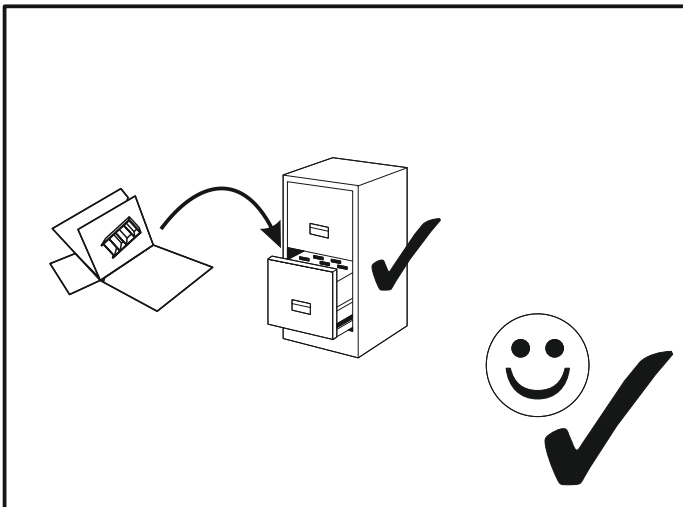
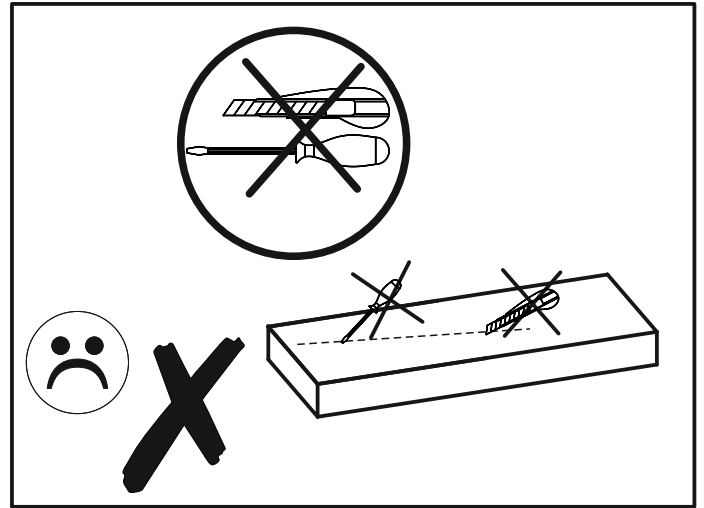
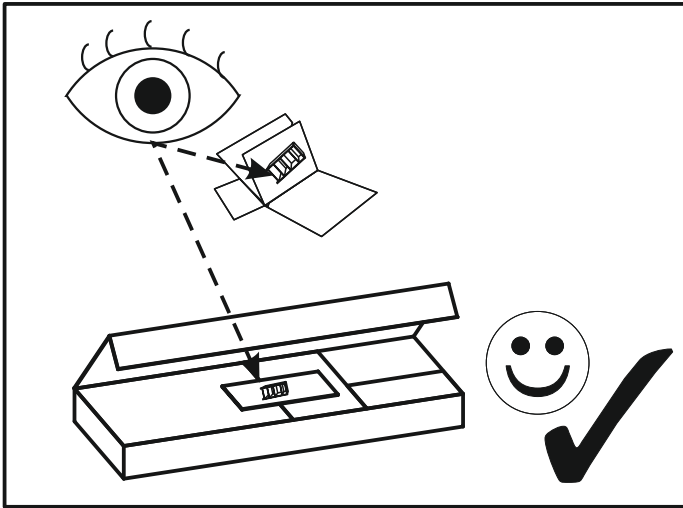


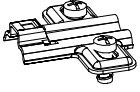
218,5cm



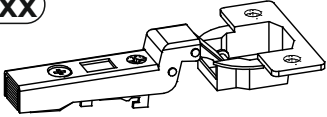




BCxx



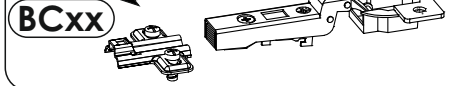
BCxx



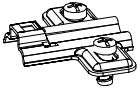
BCxx + BCxx



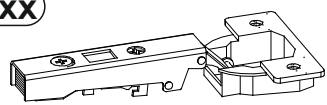
BCxx



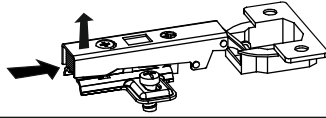
BCxx



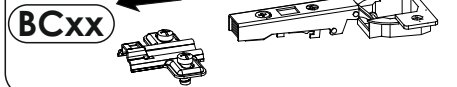
BCxx



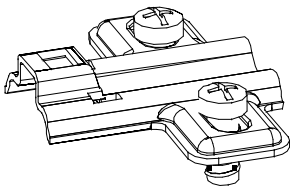
BCxx + BCxx



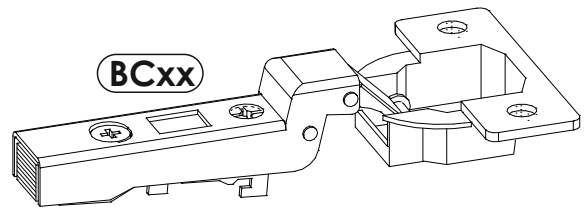
BCxx



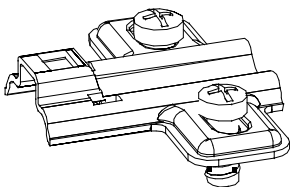
BCxx



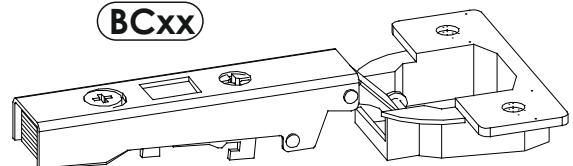
BCxx

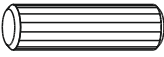

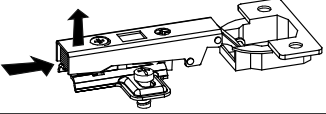
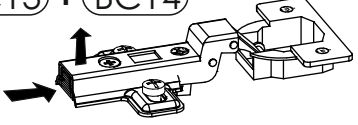

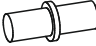



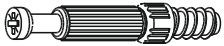
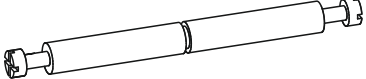


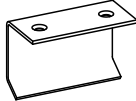



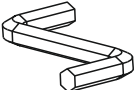


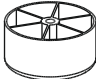
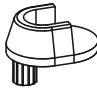
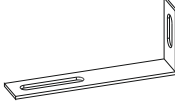

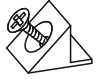



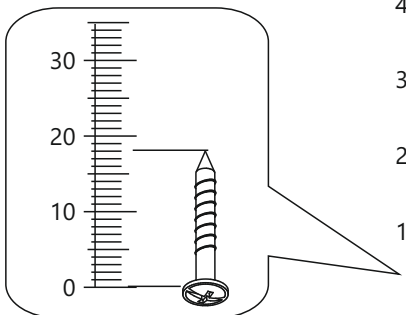


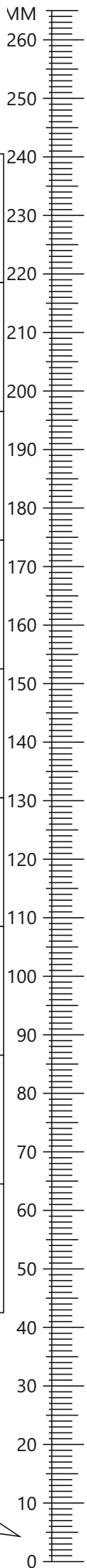
BCxx

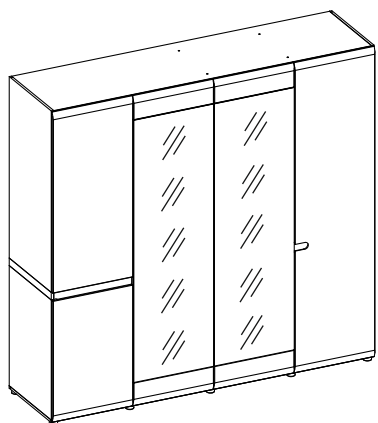


BCxx

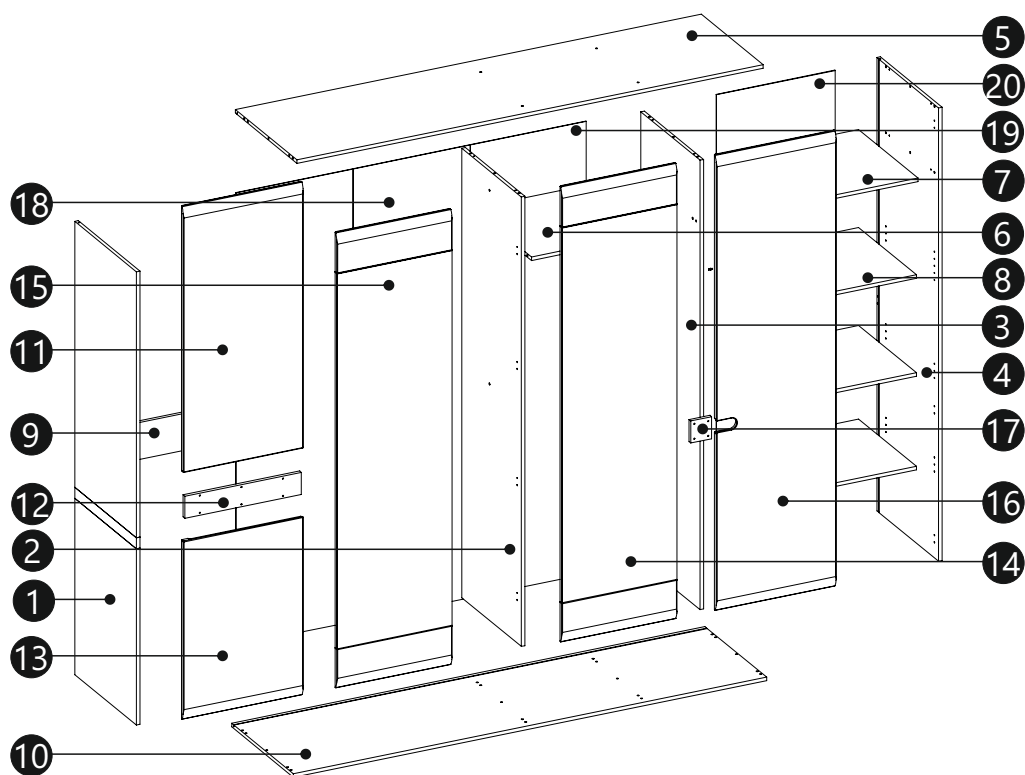


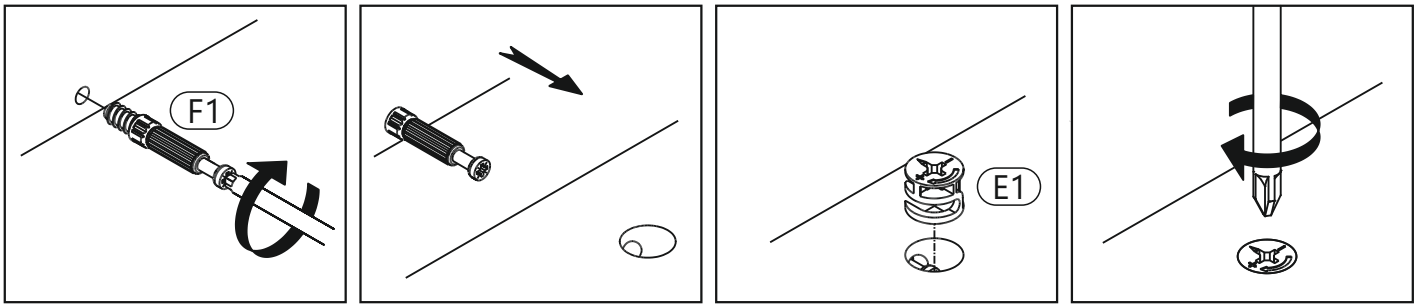
| | | |
|--|---|---|
| <p>(A1) x34 $\varnothing 8 \times 35\text{mm}$</p>  | <p>(A3) x3 $\varnothing 8 \times 60\text{mm}$</p>  | <p>(BC11) + (BC12) x8</p>  |
| <p>(BC13) + (BC14) x8</p>  | <p>(C1) x32 $4 \times 13\text{mm}$</p>  | <p>(D2) x12</p>  |
| <p>(E0a) x4</p>  | <p>(E0b) x12</p>  | <p>(E1) x16 $\varnothing 15 \times 12\text{mm}$</p>  |
| <p>(F1) x12 $\varnothing 6 \times 34\text{mm}$</p>  | <p>(F3) x2 $\varnothing 7 \times 76\text{mm}$</p>  | <p>(G0) x12</p>  |
| <p>(G1) x12 $\varnothing 7 \times 50\text{mm}$</p>  | <p>(H1) x2</p>  | <p>(I2) x1 $4 \times 16\text{mm}$</p>  |
| <p>(I10) x10 $3,5 \times 22\text{mm}$</p>  | <p>(J6) x12 $4 \times 30\text{mm}$</p>  | <p>(M) x1</p>  |
| <p>(N1) x40 $3 \times 16\text{mm}$</p>  | <p>(N2) x4 $3,5 \times 16\text{mm}$</p>  | <p>(O15) x10 $\varnothing 50 \times 25$</p>  |
| <p>(P4) x6</p>  | <p>(Q9) x1</p>  | <p>(R1) x26</p>  |
| <p>(R4) x28</p>  | <p>(R8) x2</p>  | <p>(Z1) x1 L-511</p>  |
| <p>(Z2) x2 L-1060</p>  |  | |



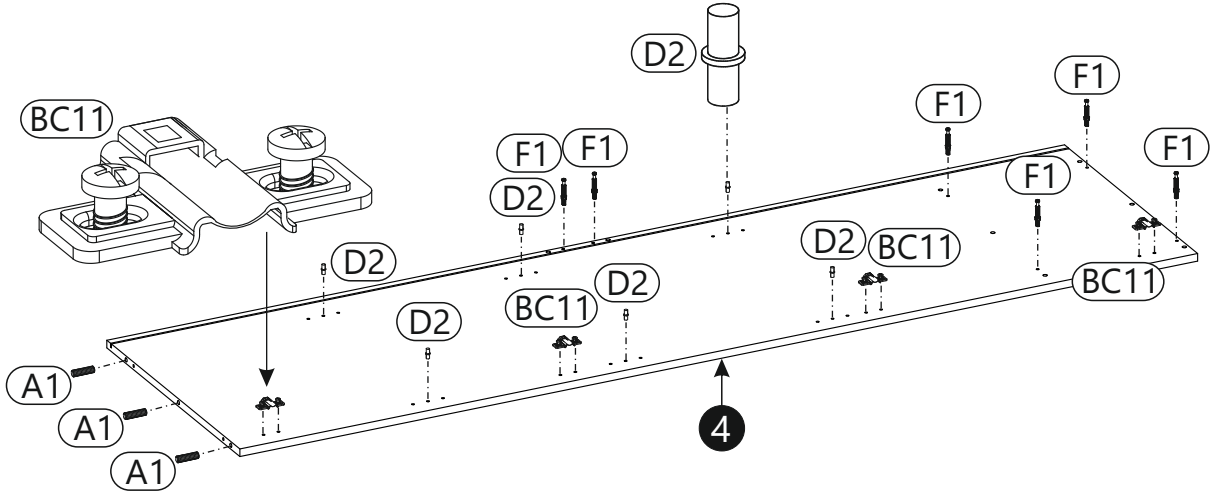
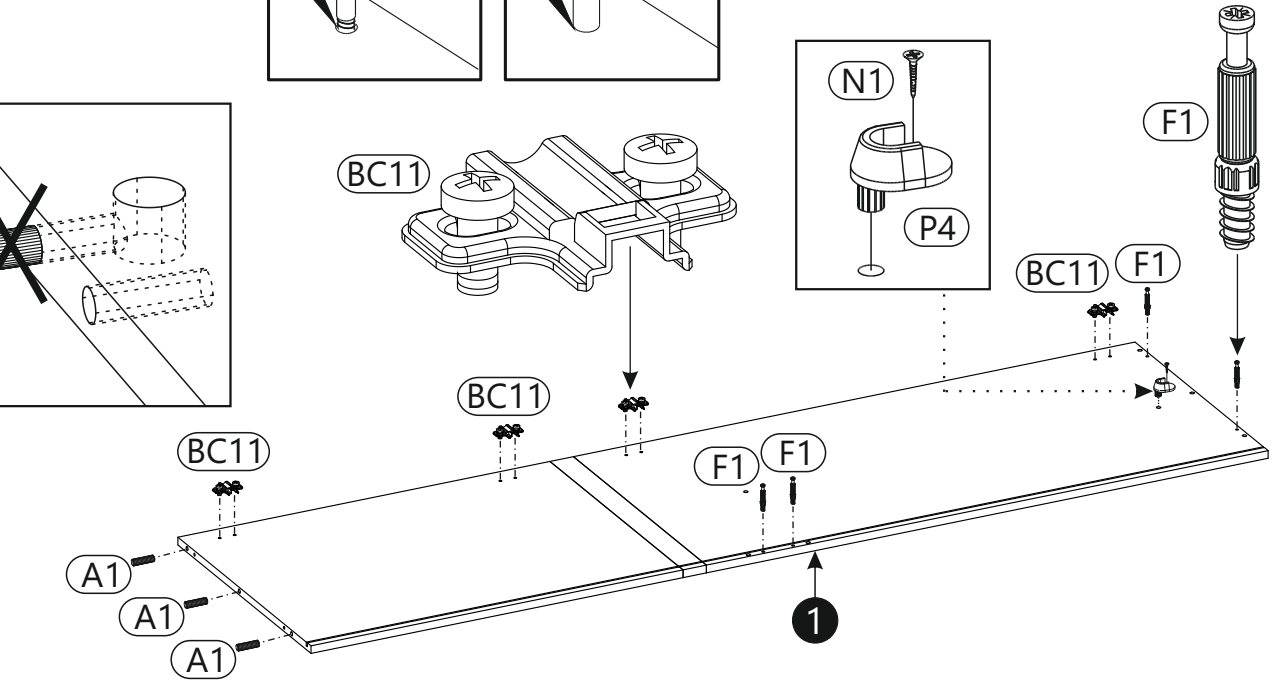
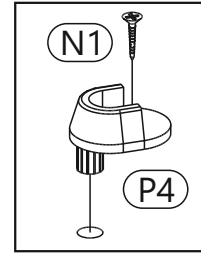
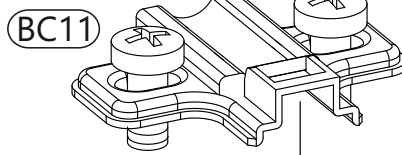
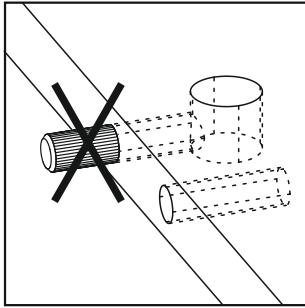
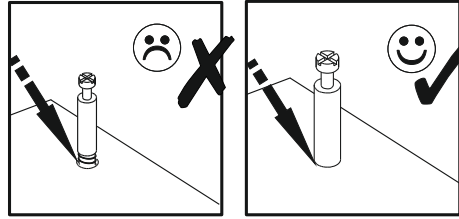


| | | | | | |
|----|------|------|----|----|-----|
| 1 | 2050 | 570 | 16 | x1 | 4/5 |
| 2 | 2033 | 550 | 16 | x1 | 5/5 |
| 3 | 2033 | 548 | 16 | x1 | 3/5 |
| 4 | 2050 | 570 | 16 | x1 | 4/5 |
| 5 | 2153 | 570 | 16 | x1 | 5/5 |
| 6 | 519 | 548 | 16 | x1 | 1/5 |
| 7 | 534 | 548 | 16 | x1 | 1/5 |
| 8 | 534 | 534 | 16 | x3 | 1/5 |
| 9 | 2153 | 168 | 16 | x1 | 5/5 |
| 10 | 2186 | 570 | 16 | x1 | 5/5 |
| 11 | 554 | 1200 | 19 | x1 | 1/5 |
| 12 | 538 | 100 | 16 | x1 | 5/5 |
| 13 | 554 | 811 | 19 | x1 | 1/5 |
| 14 | 532 | 2061 | 19 | x1 | 2/5 |
| 15 | 532 | 2061 | 19 | x1 | 3/5 |
| 16 | 554 | 2061 | 19 | x1 | 2/5 |
| 17 | 100 | 96 | 16 | x1 | 5/5 |
| 18 | 2047 | 1082 | 3 | x1 | 4/5 |
| 19 | 2047 | 535 | 3 | x1 | 4/5 |
| 20 | 2047 | 549 | 3 | x1 | 4/5 |

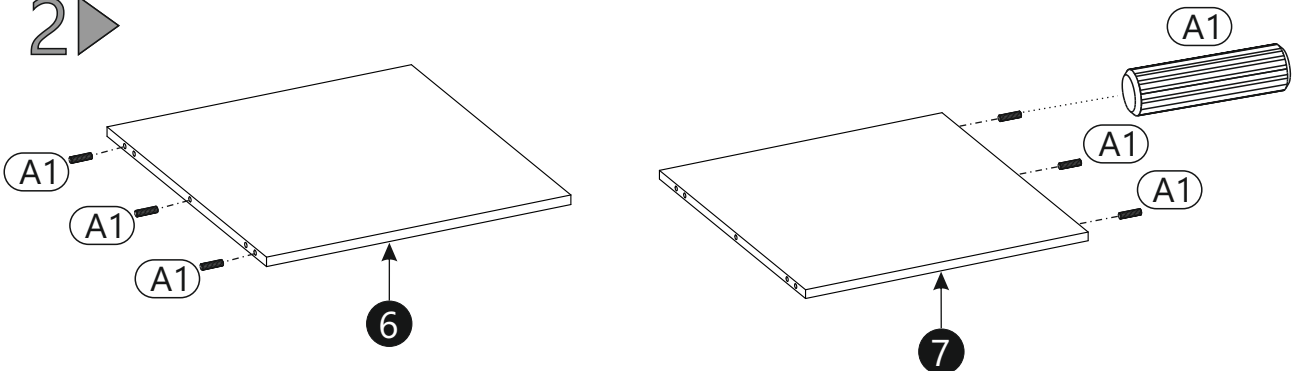




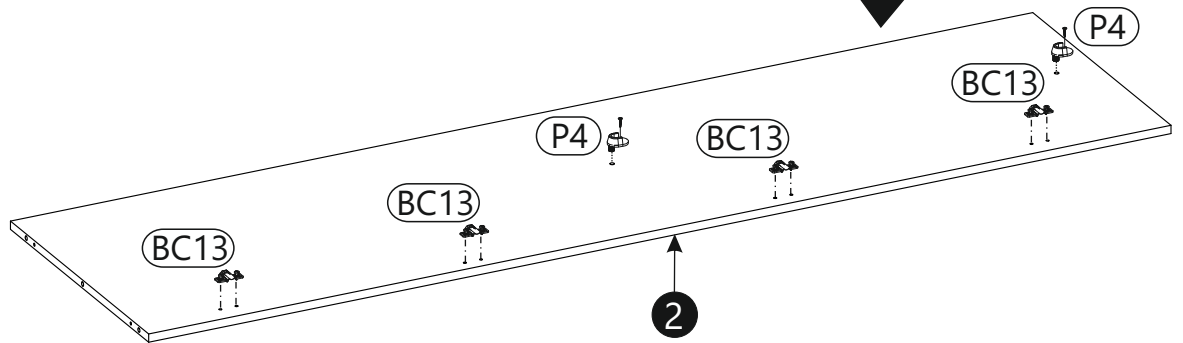
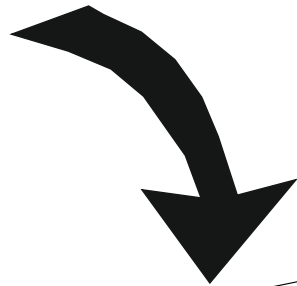
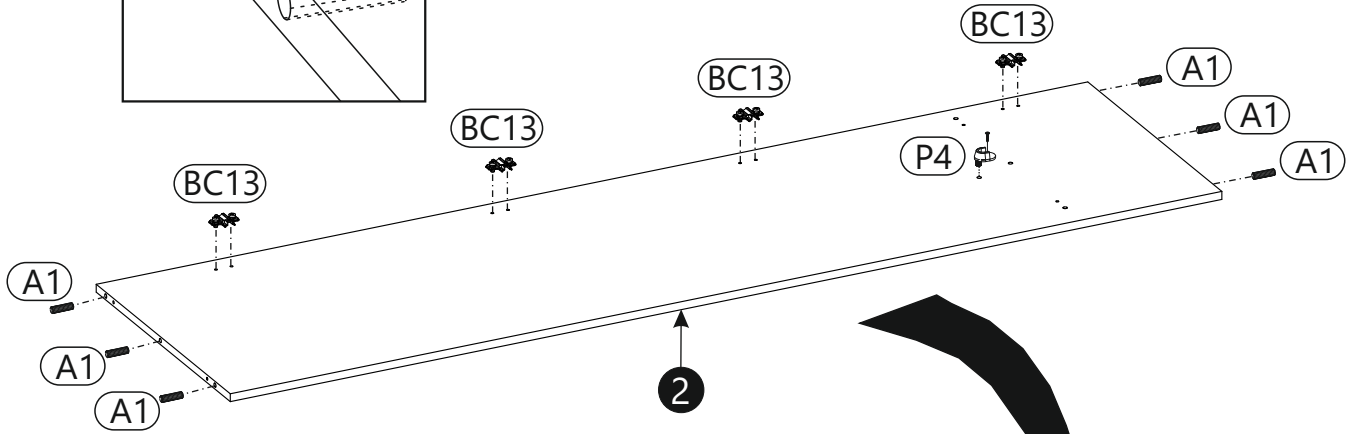
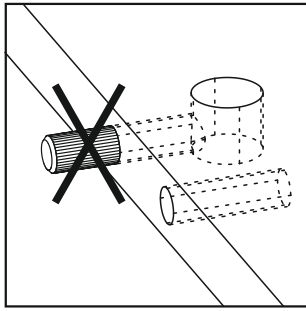
1 ▶



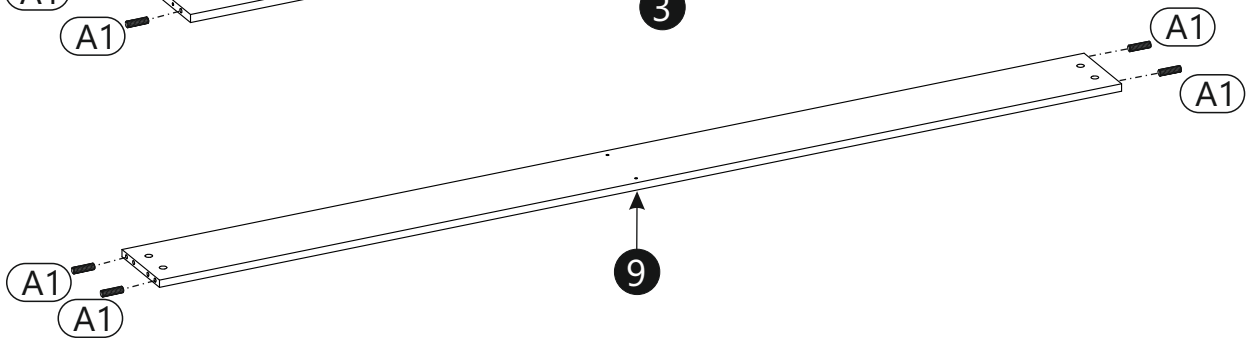
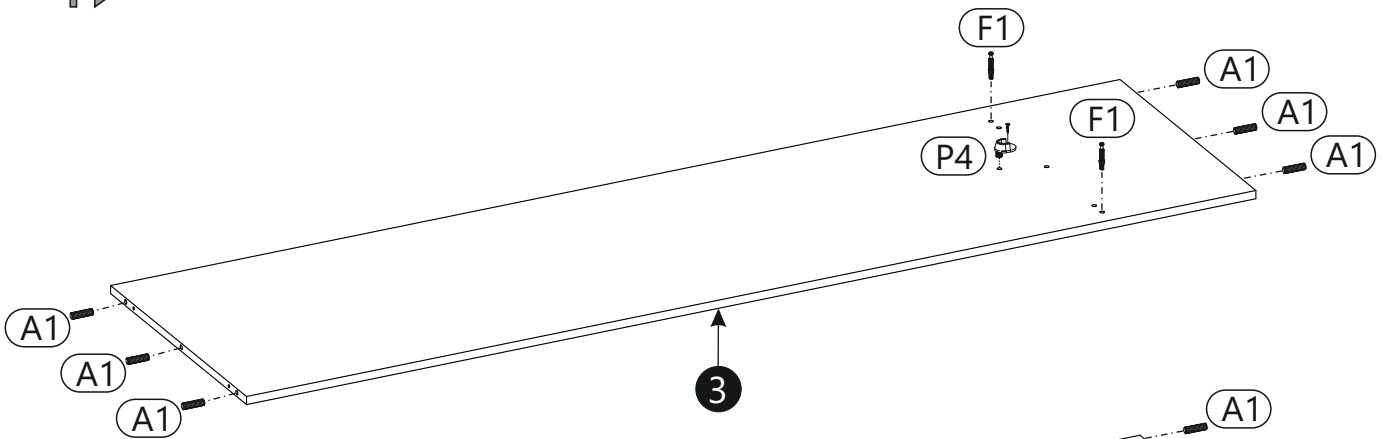
2 ▶



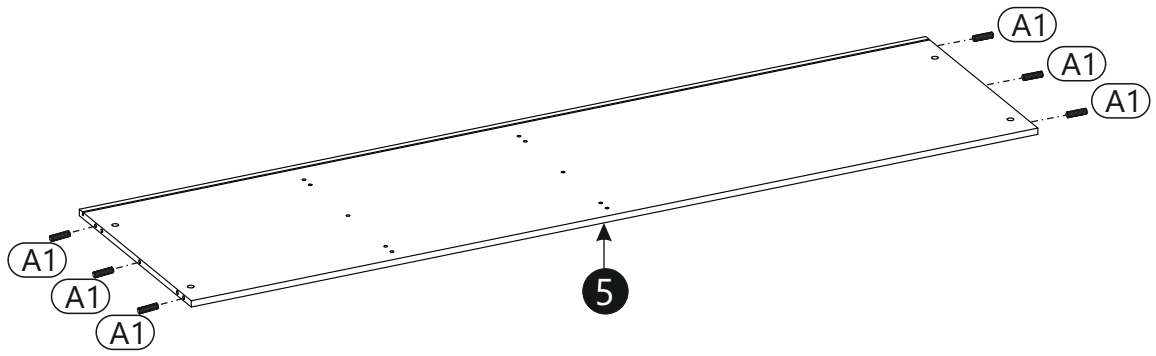
3 ▶



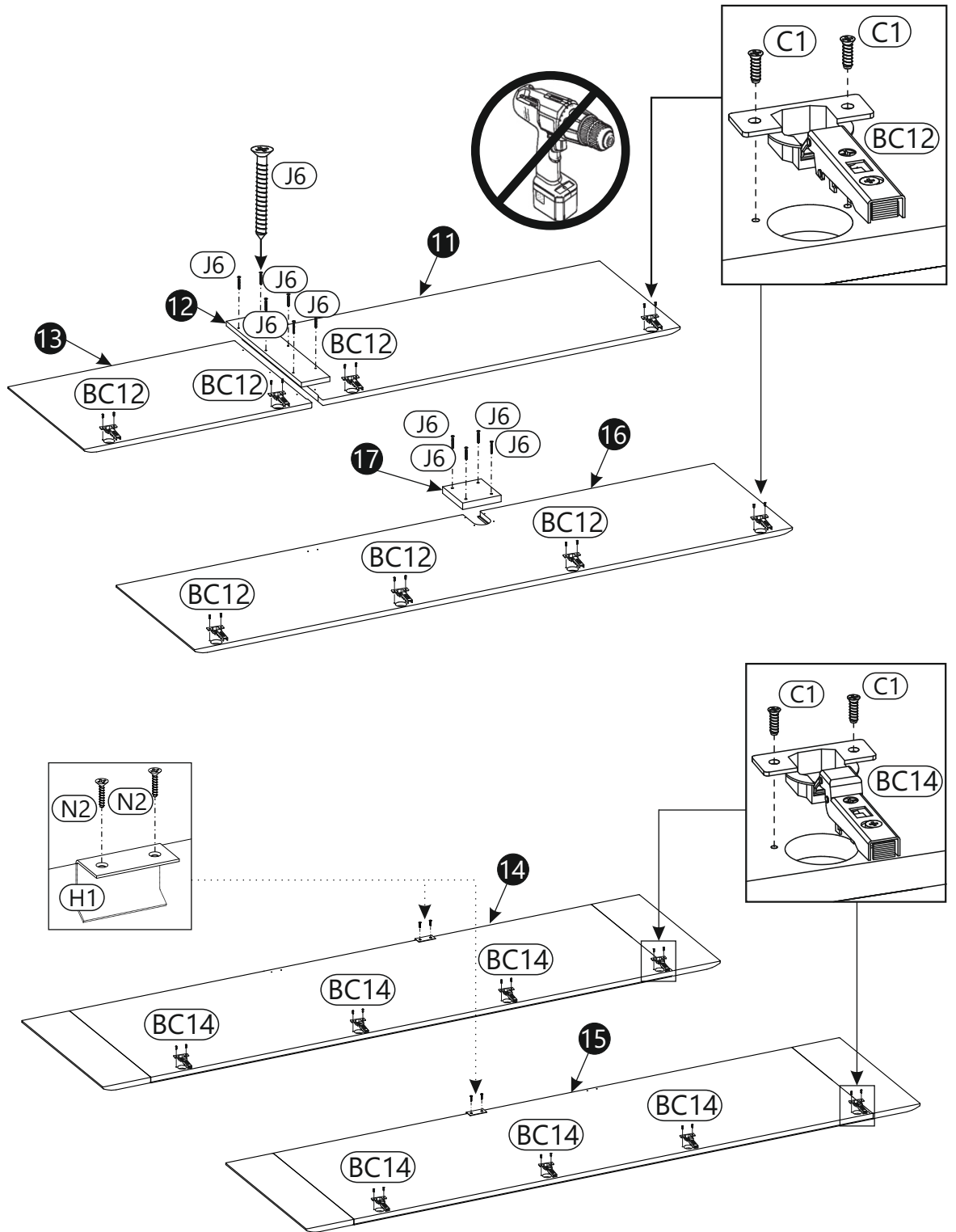
4 ▶



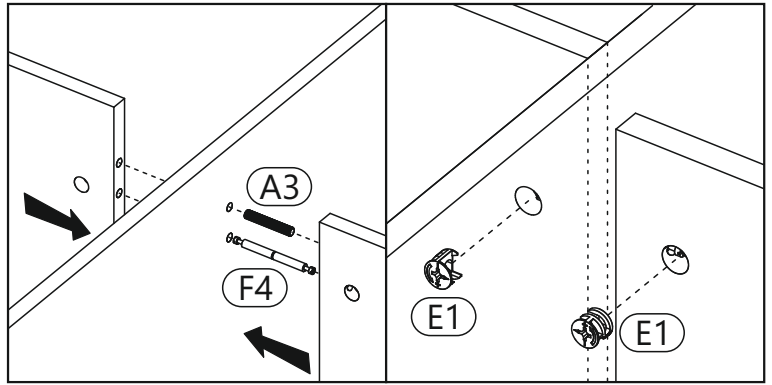
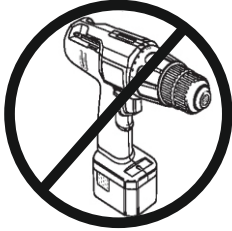
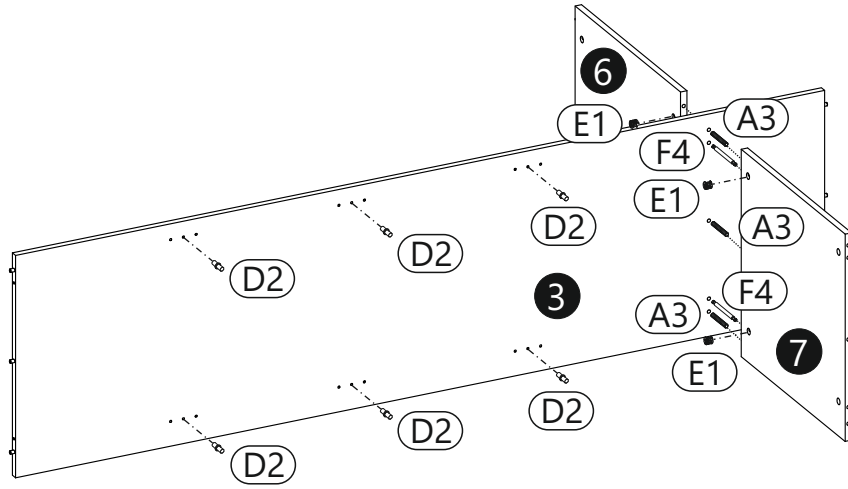
5 ▶



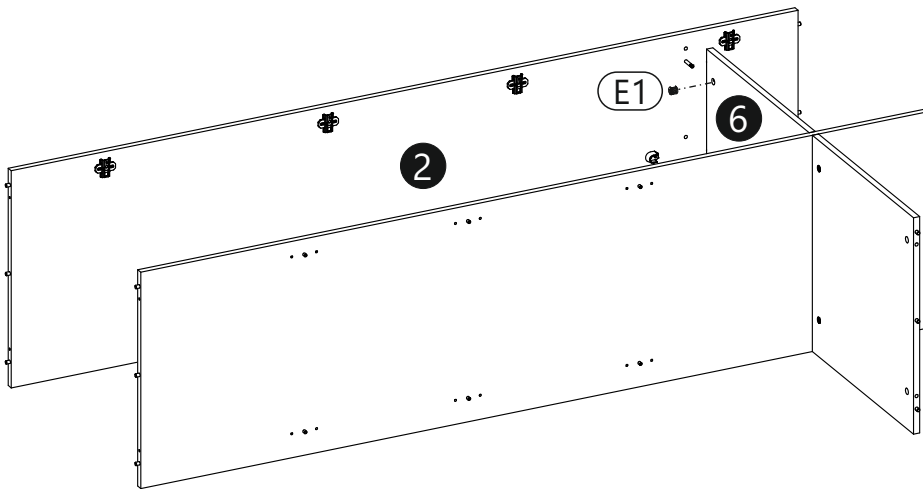
6 ▶



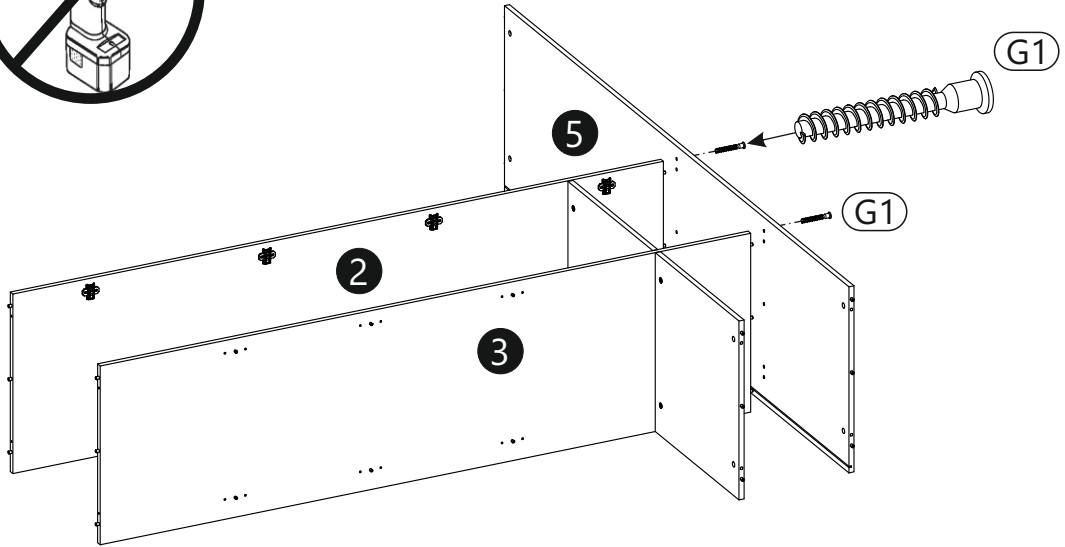
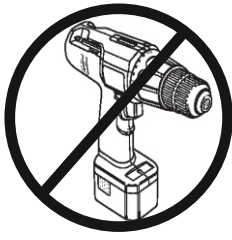
7 ▶



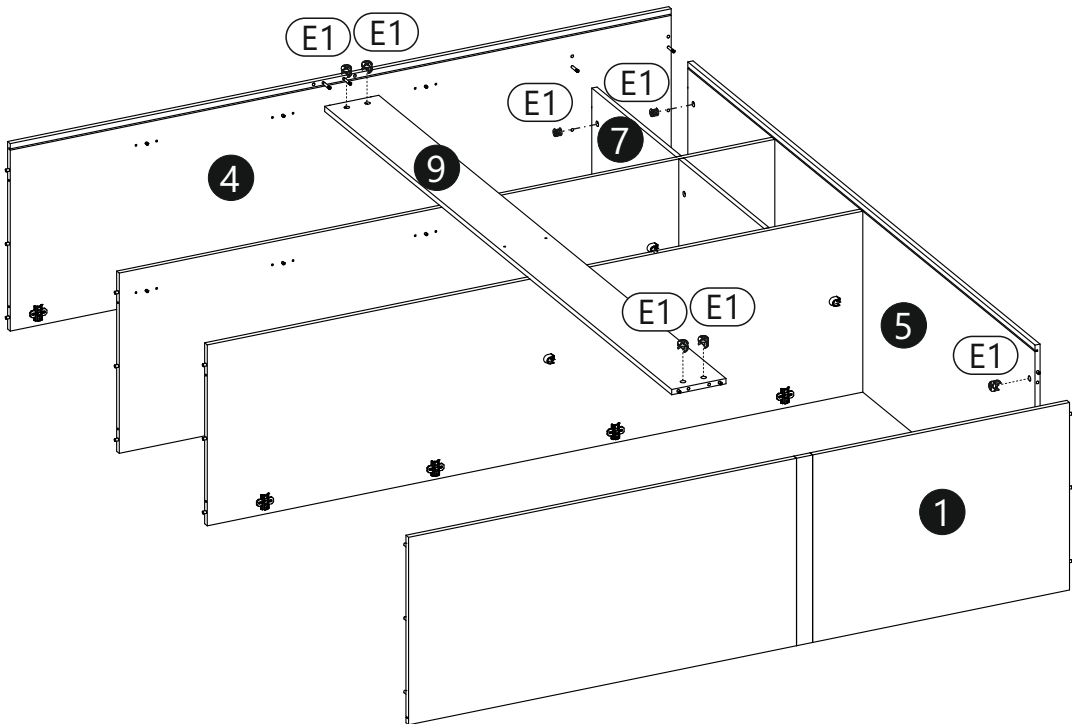
8 ▶



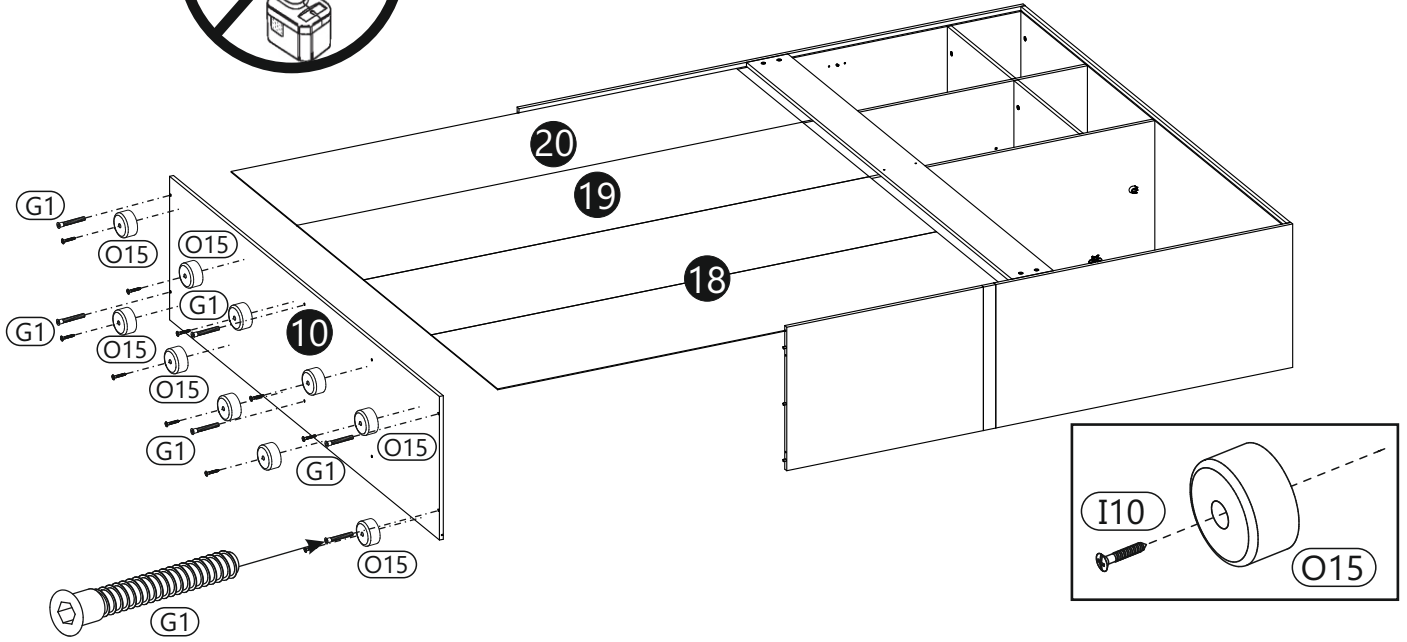
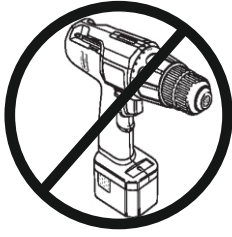
9 ▶



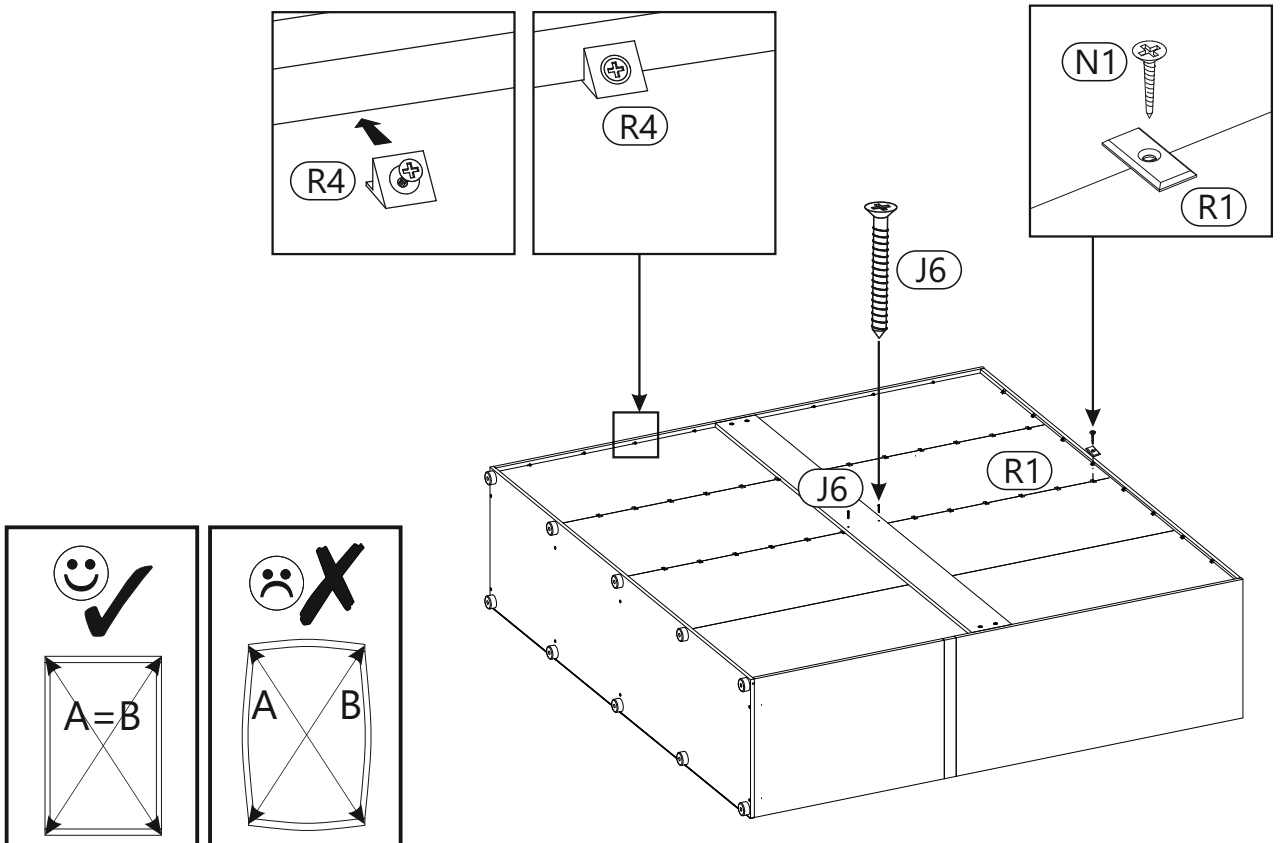
10 ▶



11 ▶



12 ▶



13 ▶

