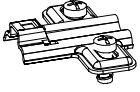
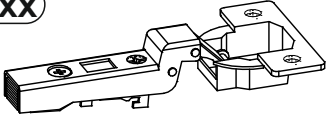




BCxx



BCxx



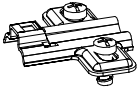
BCxx + BCxx



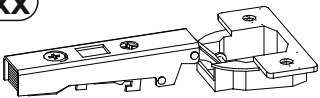
BCxx



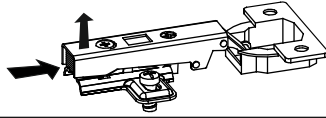
BCxx



BCxx



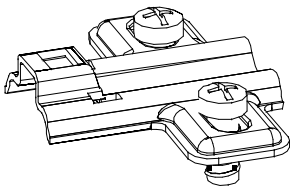
BCxx + BCxx



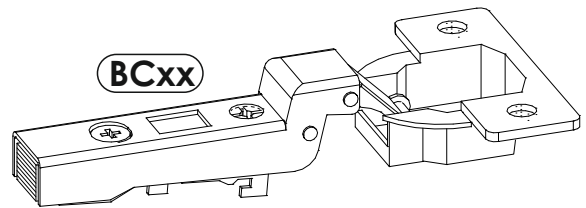
BCxx



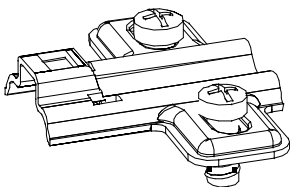
BCxx



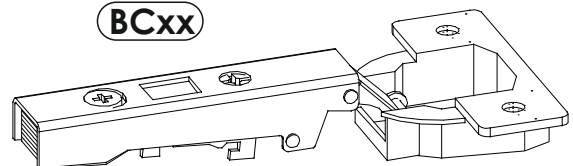
BCxx


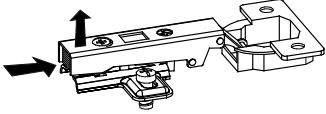
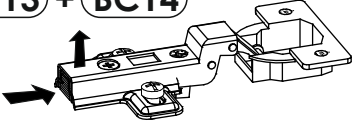



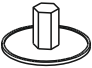



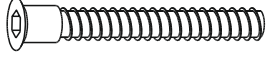




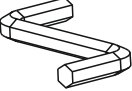

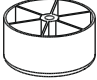



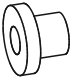
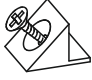


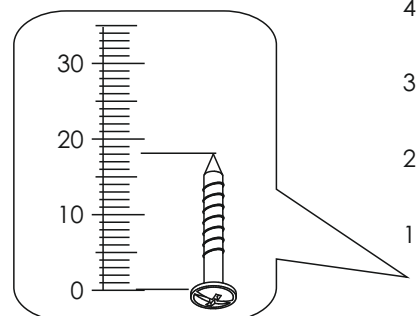
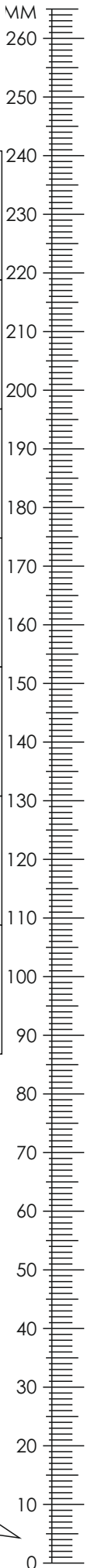
BCxx

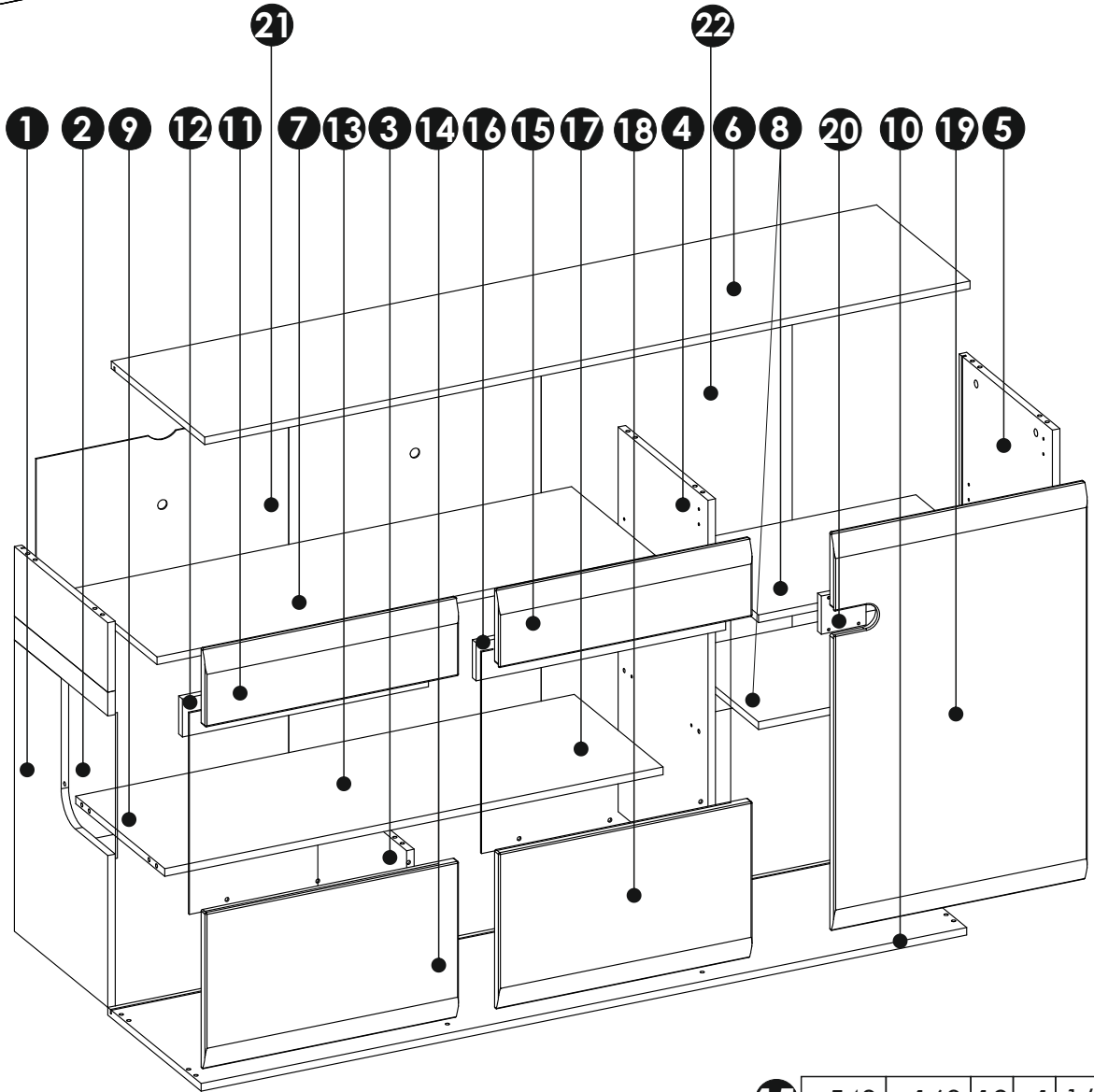
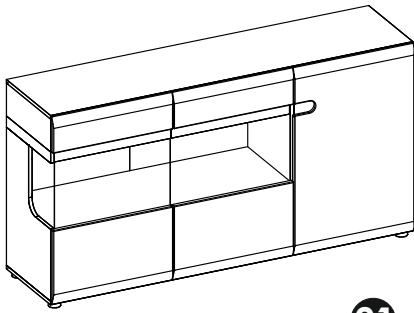


BCxx



A1 x20 $\phi 8 \times 35$ mm 	BC11 + BC12 x4 	BC13 + BC14 x2 
C1 x12 4 x 13 mm 	D2 x12 	E0a x4 
E0b x8 	E1 x12 	F1 x12 
G0 x8 	G1 x8 $\phi 7 \times 50$ mm 	I2 x9 4 x 16 mm 
I7 x6 4 x 35 mm 	I10 x6 3,5 x 22 mm 	J6 x4 4 x 30 mm 
M x1 	N1 x20 3 x 16 mm 	O15 x6 $\phi 50 \times 25$ mm 
P13 x2 	Q9 x1 	R1 x5 
R3 x8 	R4 x16 	

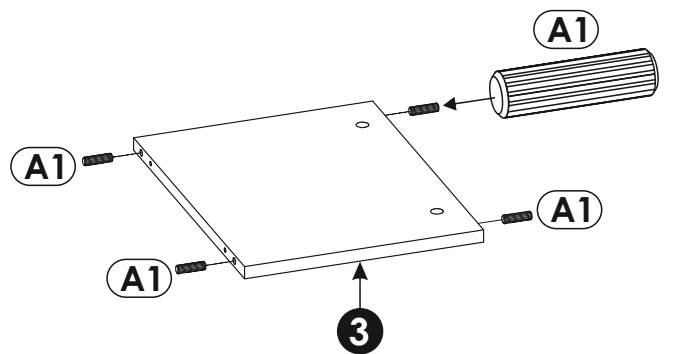
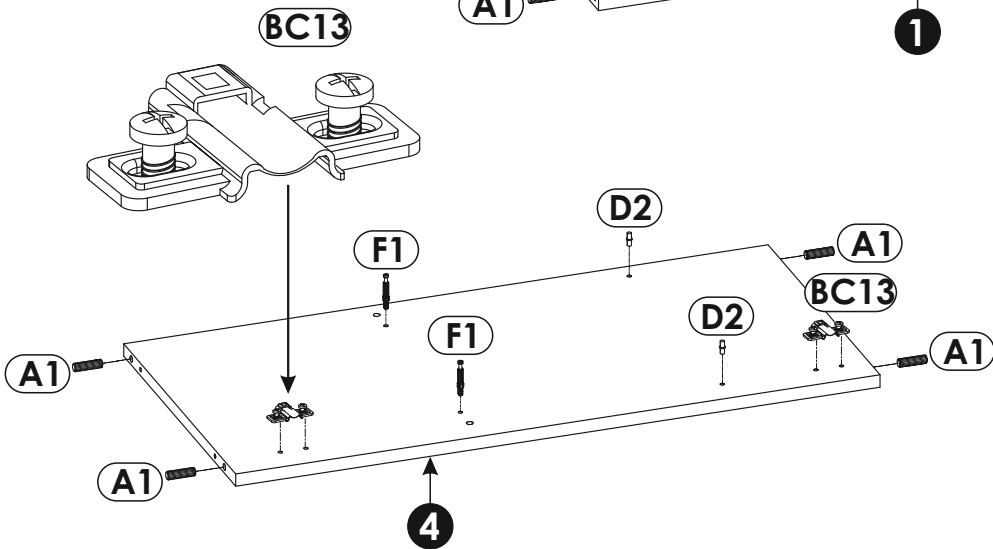
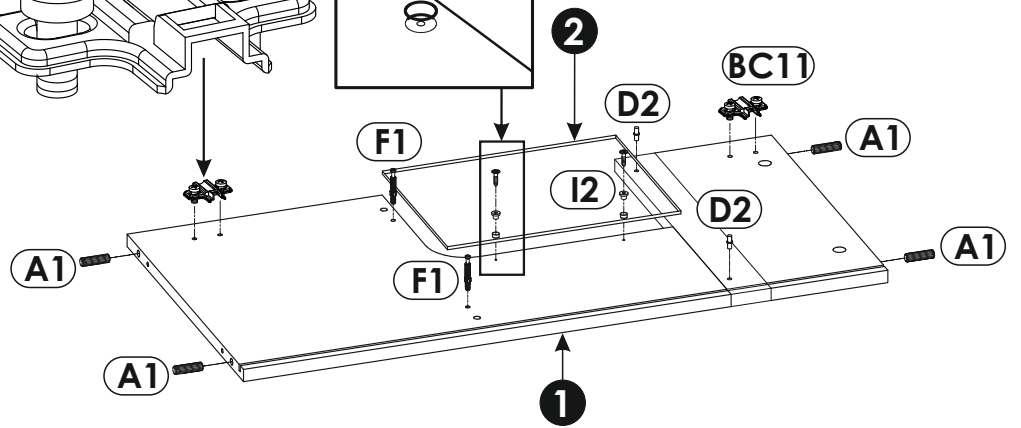
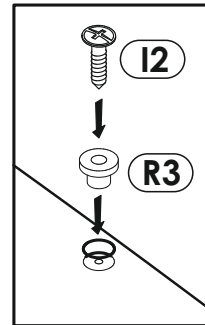
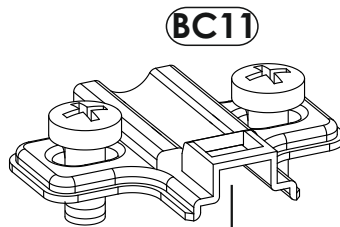
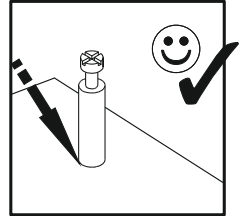
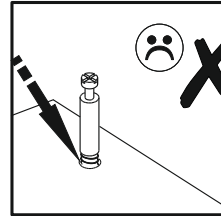
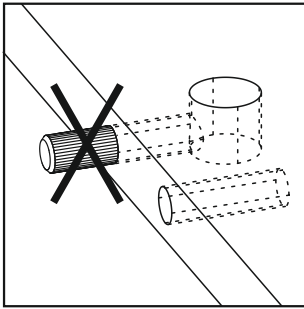
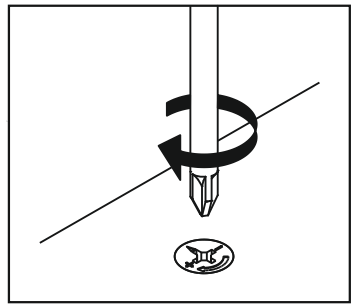




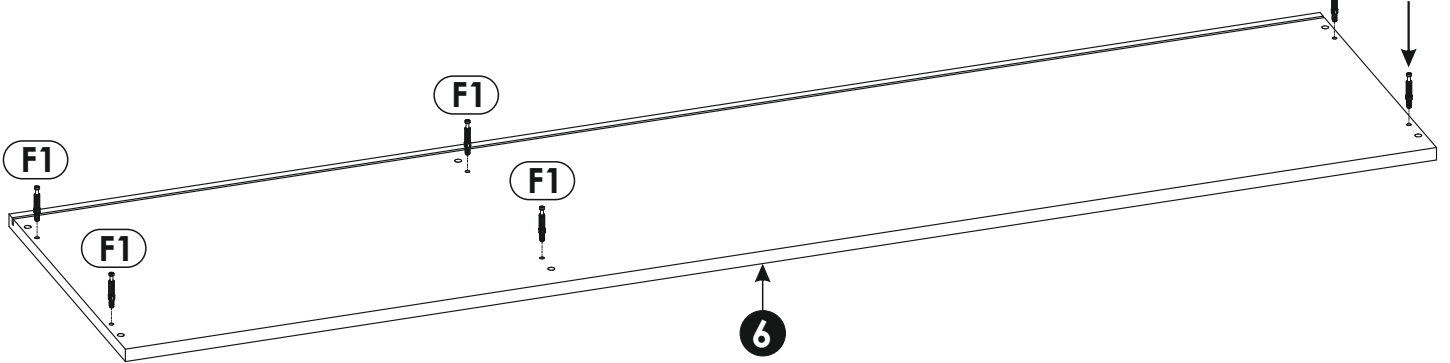
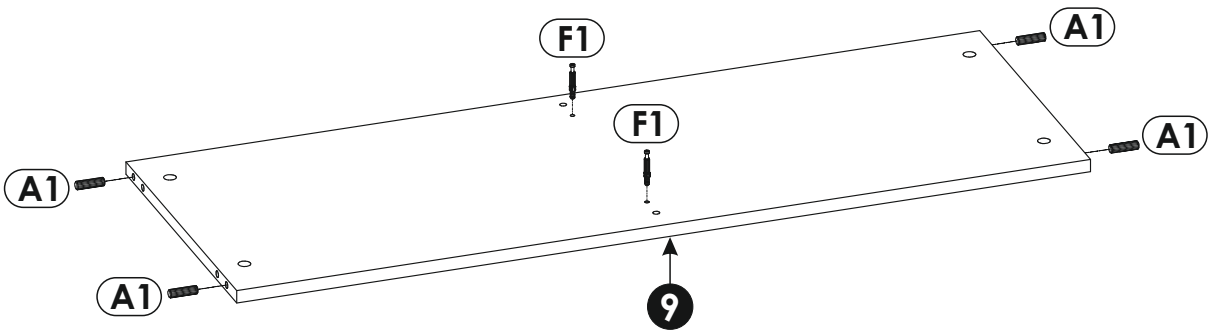
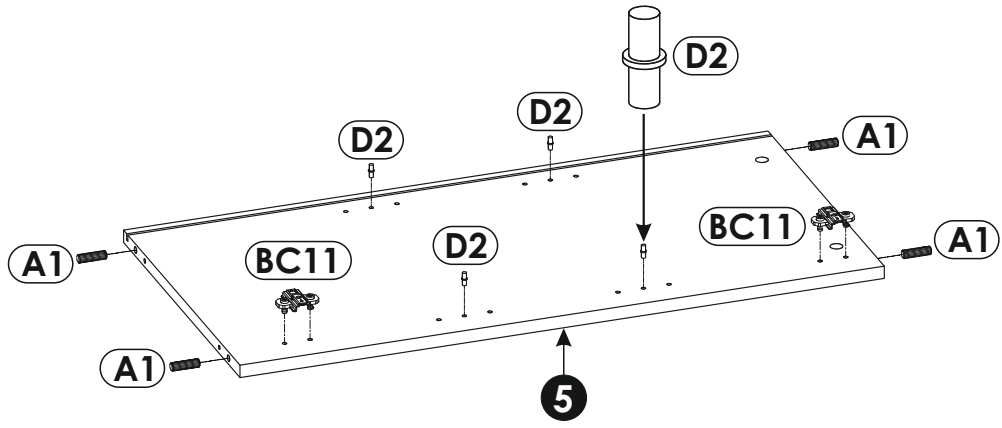
1	808	400	16	x1	2/2
2	294	224	4	x1	1/2
3	299	381	16	x1	1/2
4	808	385	16	x1	1/2
5	808	400	16	x1	1/2
6	1640	400	16	x1	2/2
7	1068	360	16	x1	2/2

8	522	370	16	x2	2/2
9	1068	381	16	x1	2/2
10	1640	400	16	x1	2/2
11	543	160	19	x1	1/2
12	527	80	16	x1	1/2
13	527	418	4	x1	1/2
14	543	333	19	x1	1/2

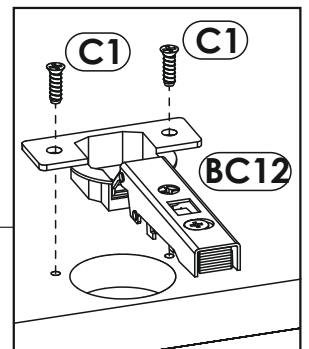
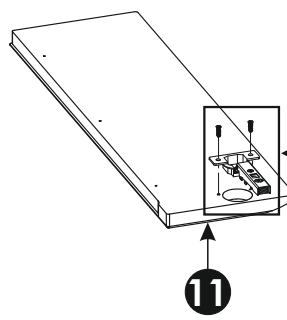
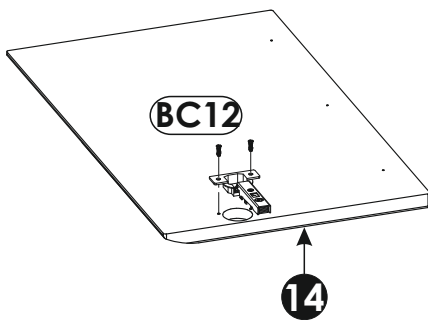
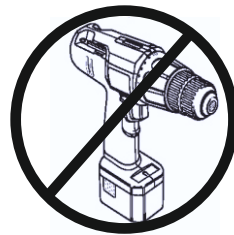
15	543	160	19	x1	1/2
16	535	80	16	x1	1/2
17	535	418	4	x1	1/2
18	543	333	19	x1	1/2
19	543	836	19	x1	1/2
20	96	80	16	x1	1/2
21	822	1082	3	x1	1/2
22	822	537	3	x1	1/2



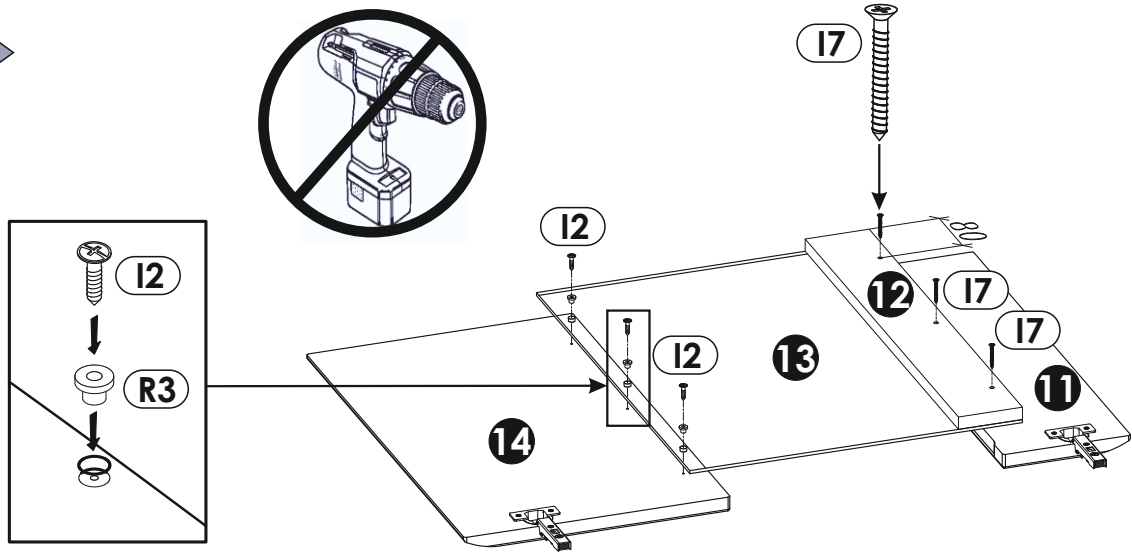
2 ▶



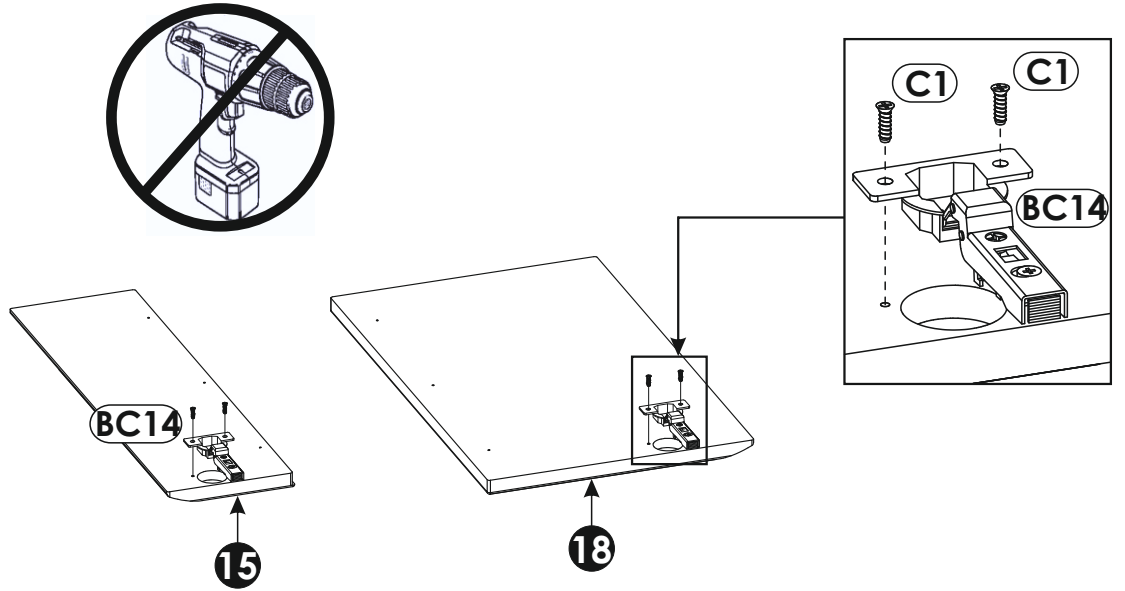
3 ▶



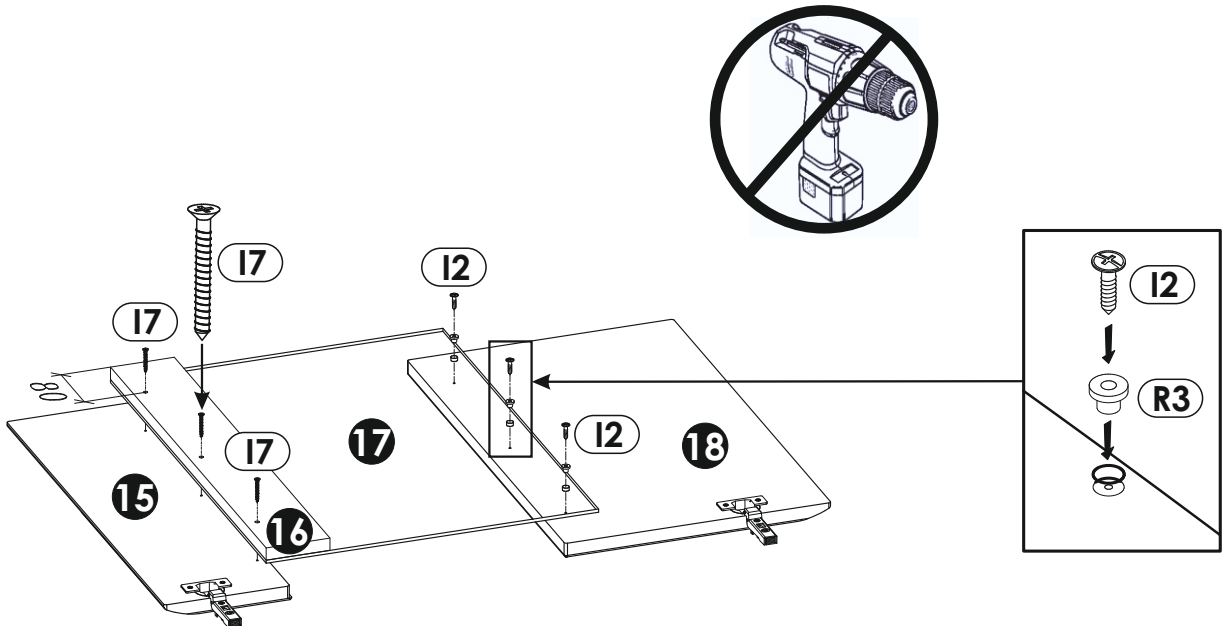
4 ▶



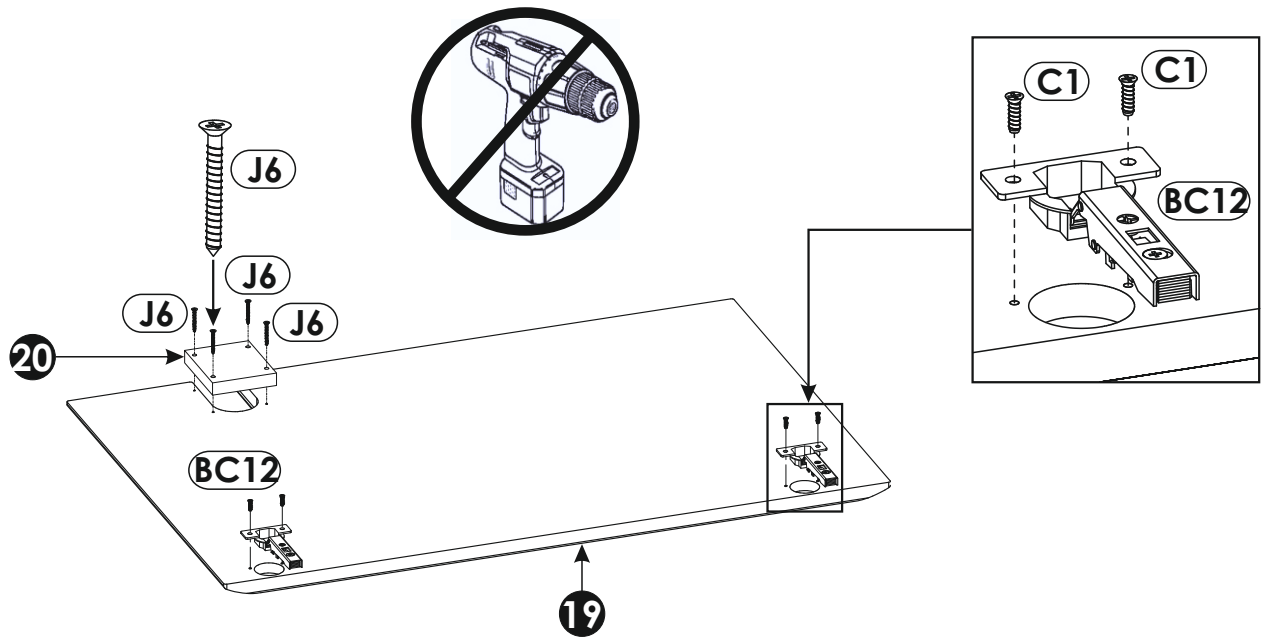
5 ▶



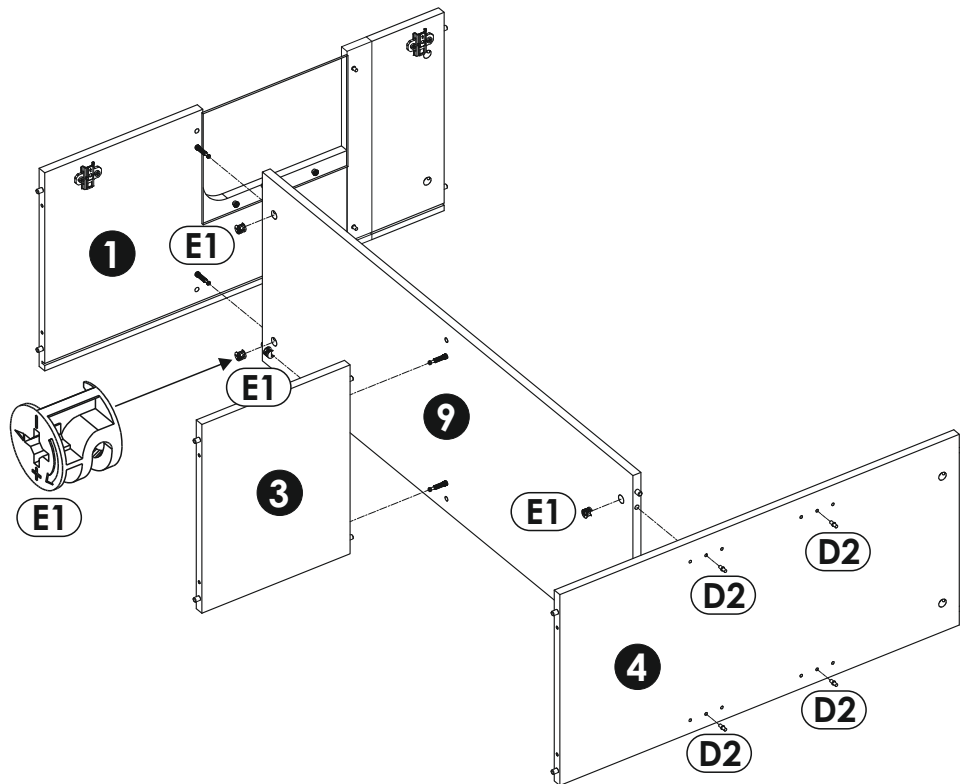
6 ▶



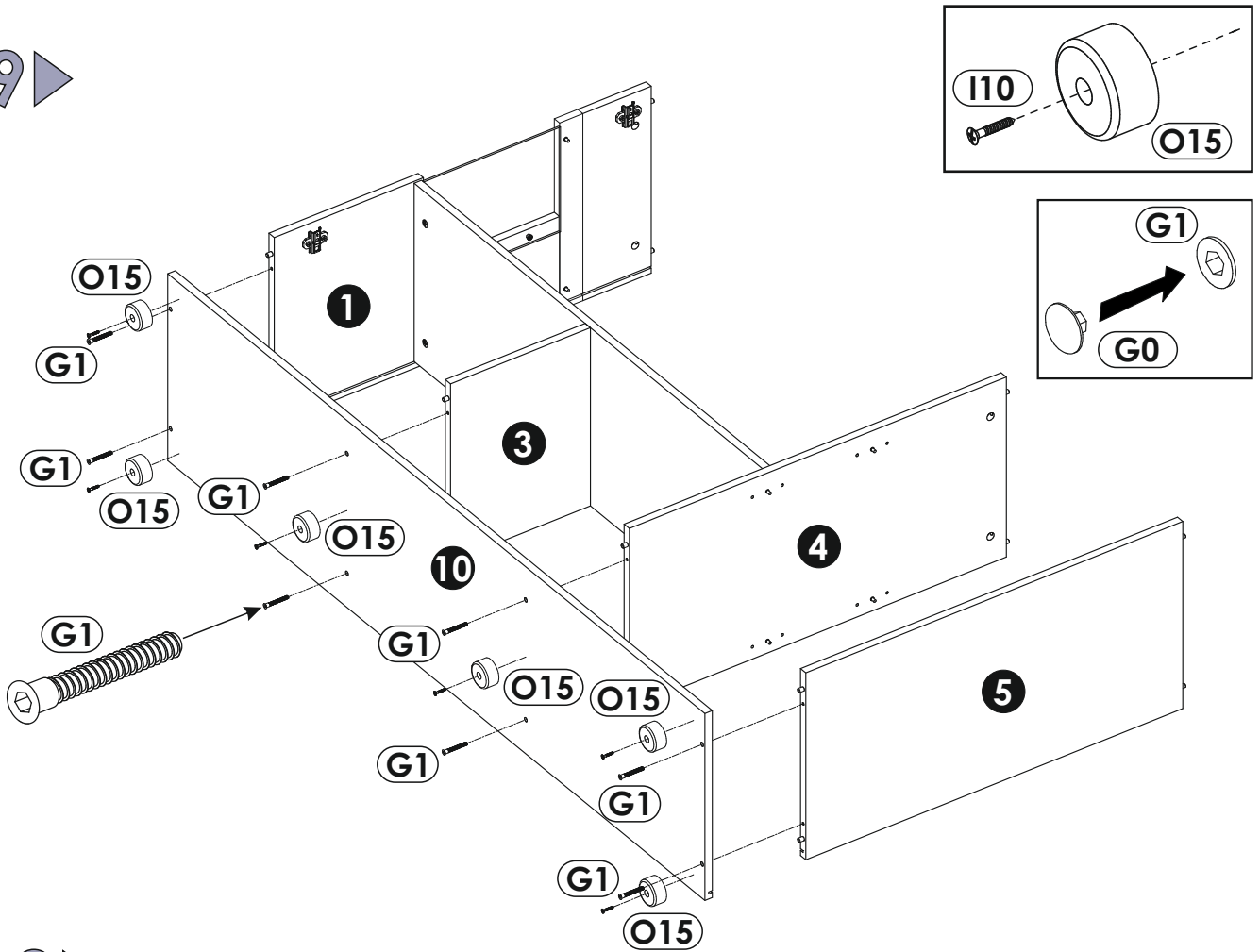
7 ▶



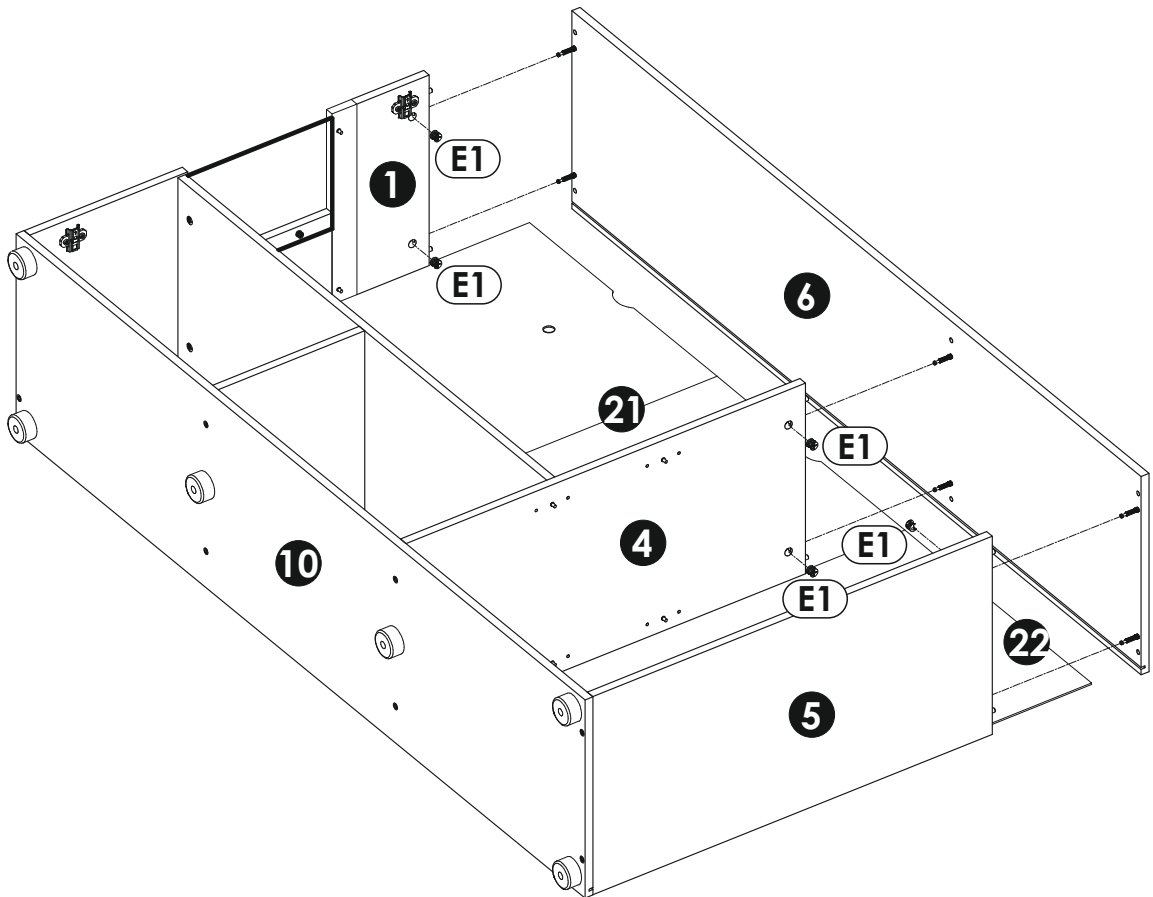
8 ▶

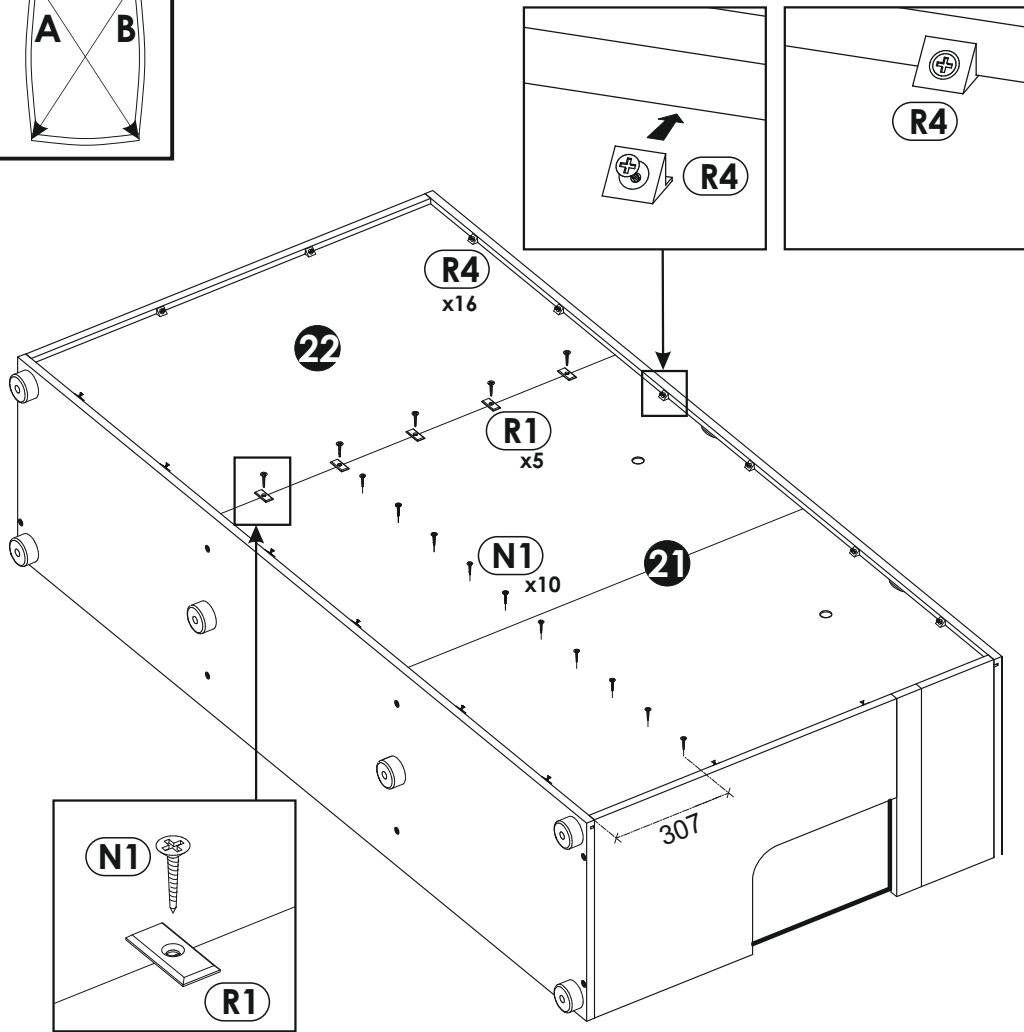
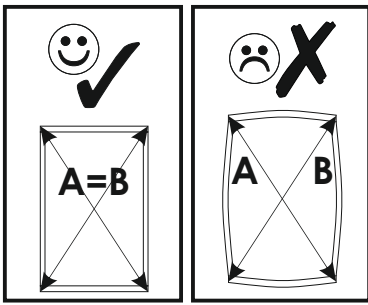


9 ▶



10 ▶





12 ▶

