
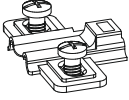
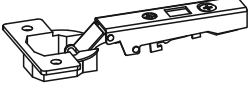



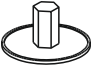
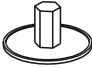




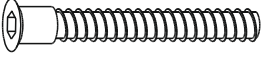


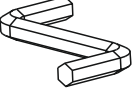

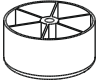
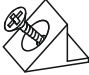
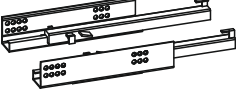
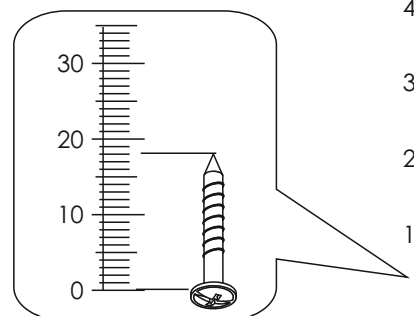
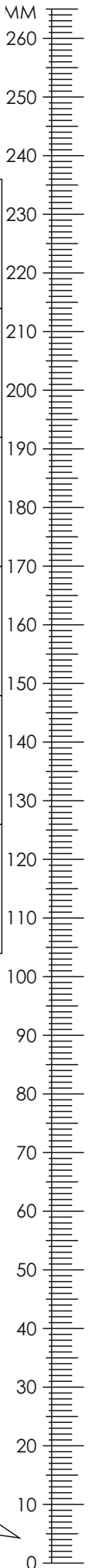
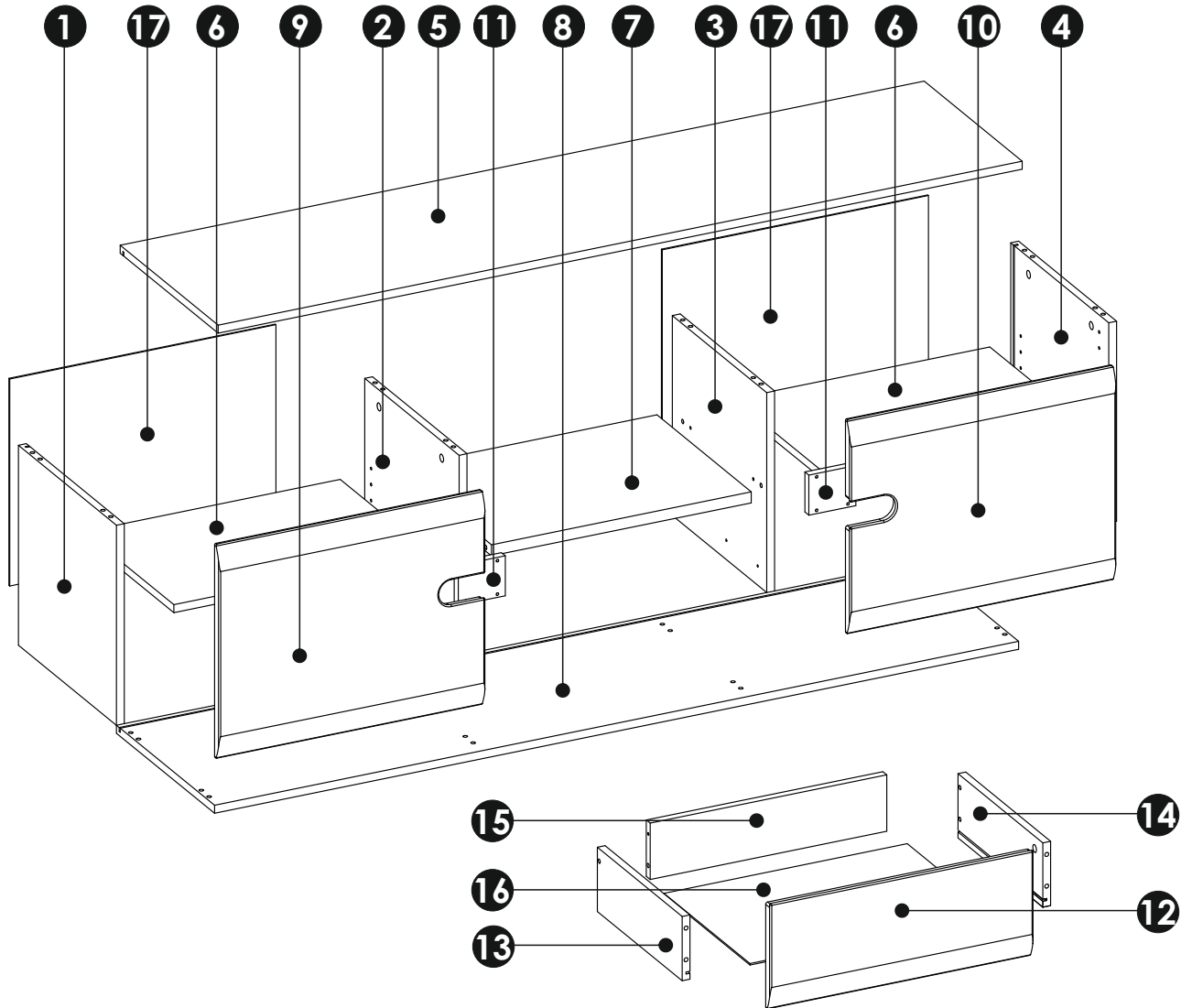
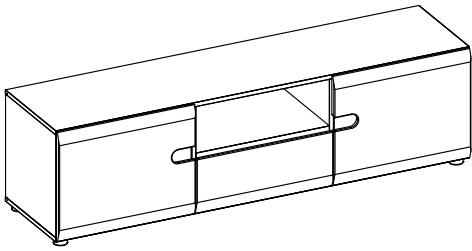


A1 x24 $\phi 8 \times 35$ mm 	BC10 x4 	BC11 x4 
C1 x8 4 x 13 mm 	C2 x4 5 x 13 mm 	D2 x8 
E0a x4 	E0b x10 	E1 x14 
F1 x14 	G0a x8 	G0b x2 
G1 x10 $\phi 7 \times 50$ mm 	I10 x6 3,5 x 22 mm 	J6 x8 4 x 30 mm 
M x1 	N1 x10 3 x 16 mm 	O15 x6 $\phi 50 \times 25$ mm 
R4 x10 	T11 x1 	

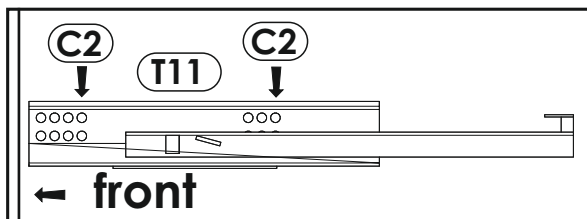
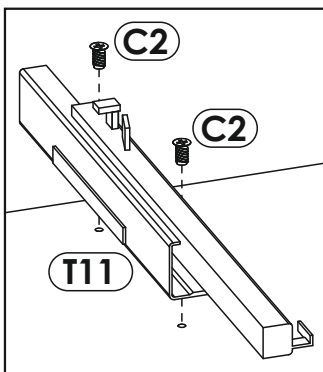
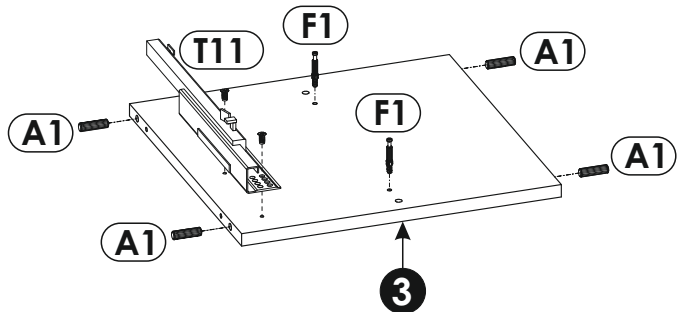
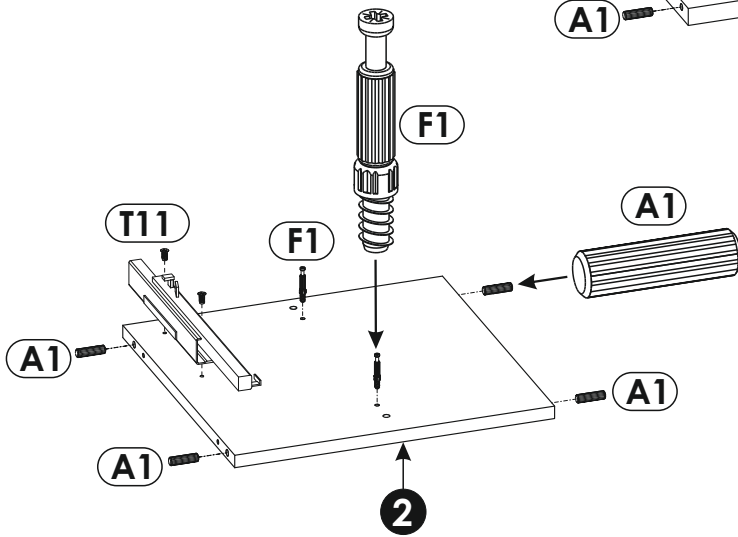
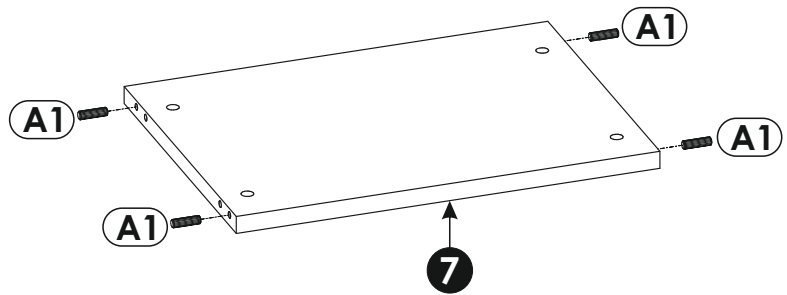
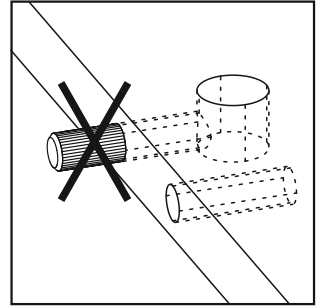
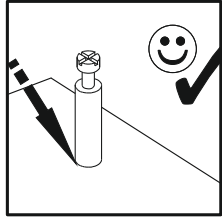
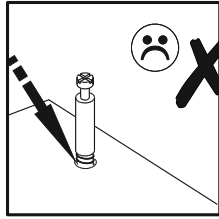




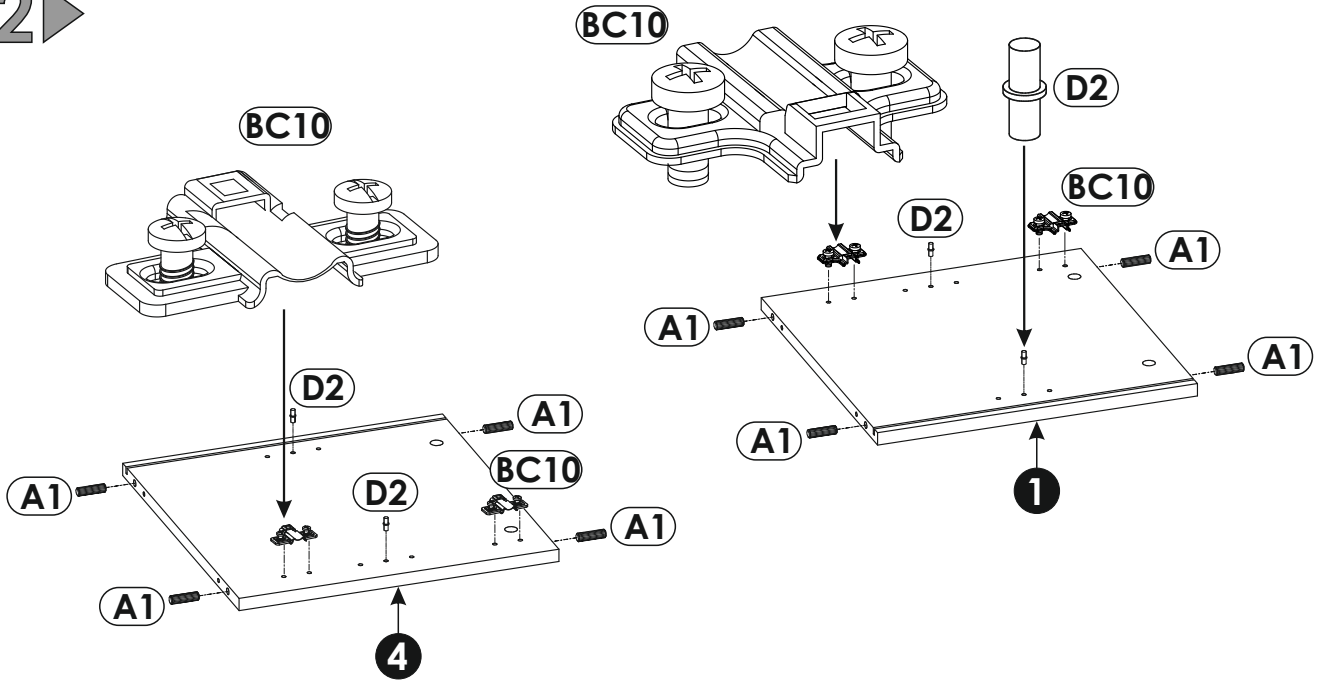
1	400	400	16	x1	2/2
2	400	385	16	x1	2/2
3	400	385	16	x1	2/2
4	400	400	16	x1	2/2
5	1640	400	16	x1	2/2
6	522	365	16	x2	1/2

7	530	385	16	x1	1/2
8	1640	400	16	x1	2/2
9	543	428	19	x1	1/2
10	543	428	19	x1	1/2
11	96	80	16	x2	1/2
12	543	218	19	x1	1/2

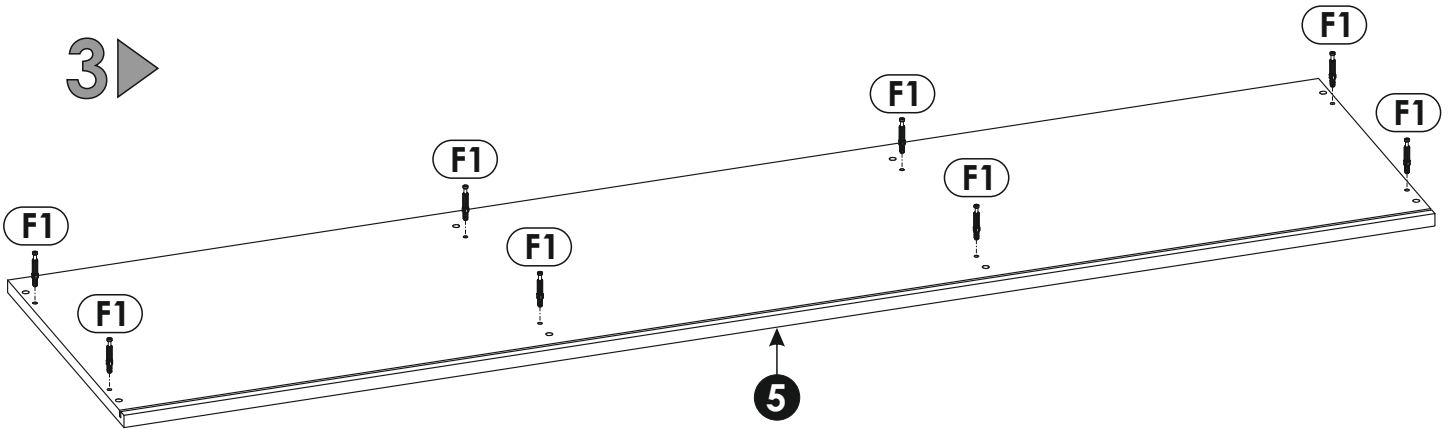
13	350	130	16	x1	1/2
14	350	130	16	x1	1/2
15	488	114	16	x1	1/2
16	502	355	3	x1	1/2
17	414	543	3	x2	1/2



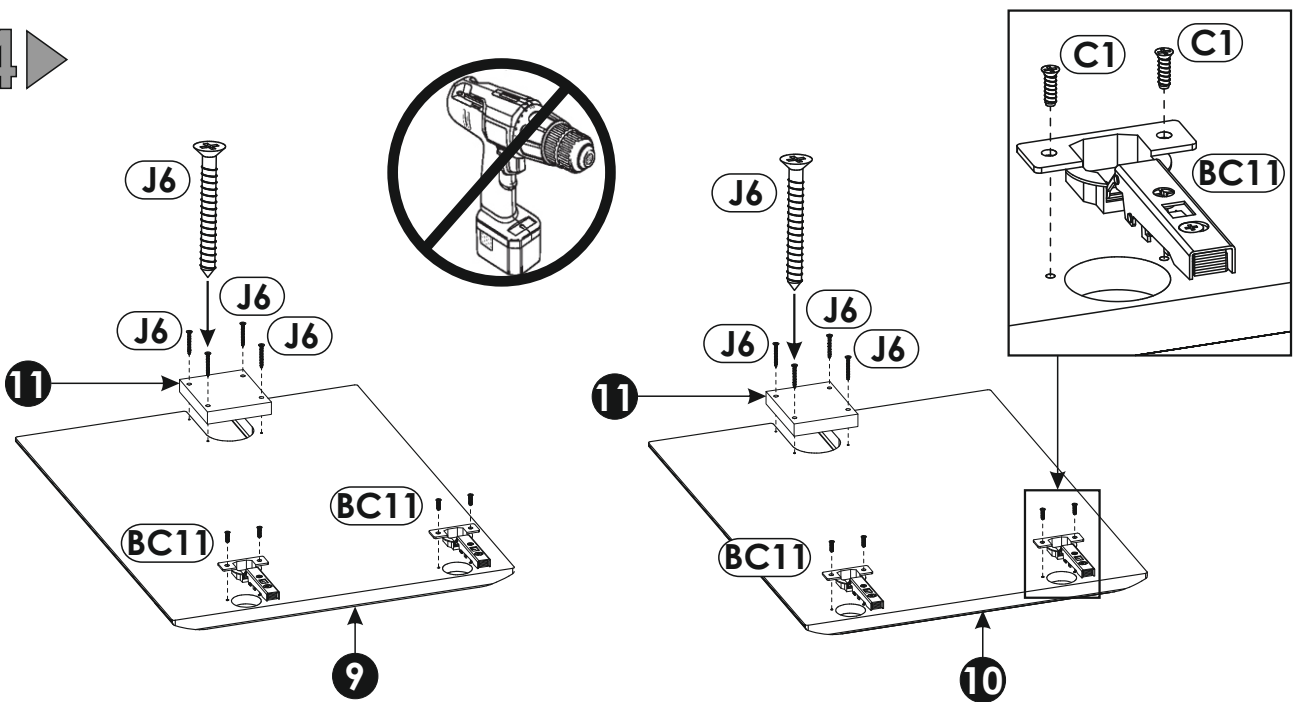
2 ▶



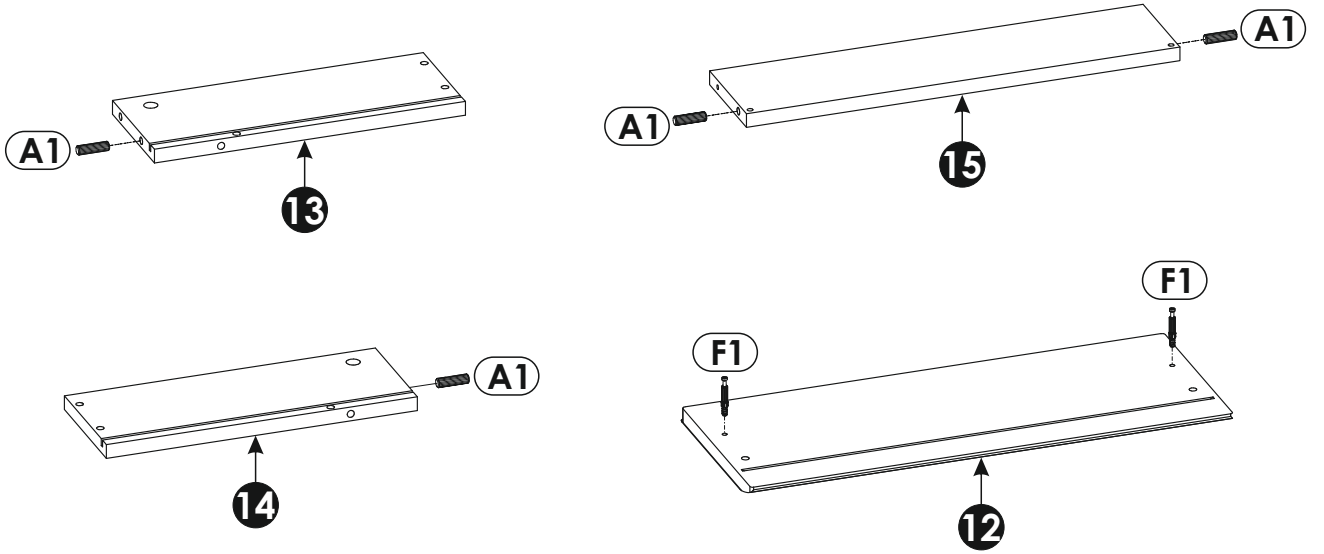
3 ▶



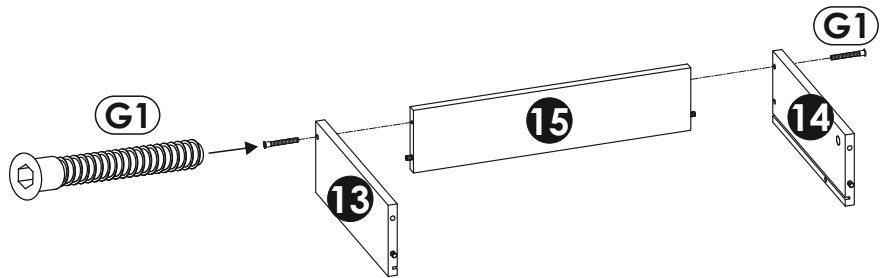
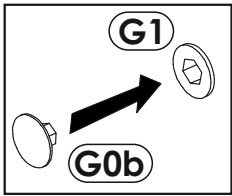
4 ▶



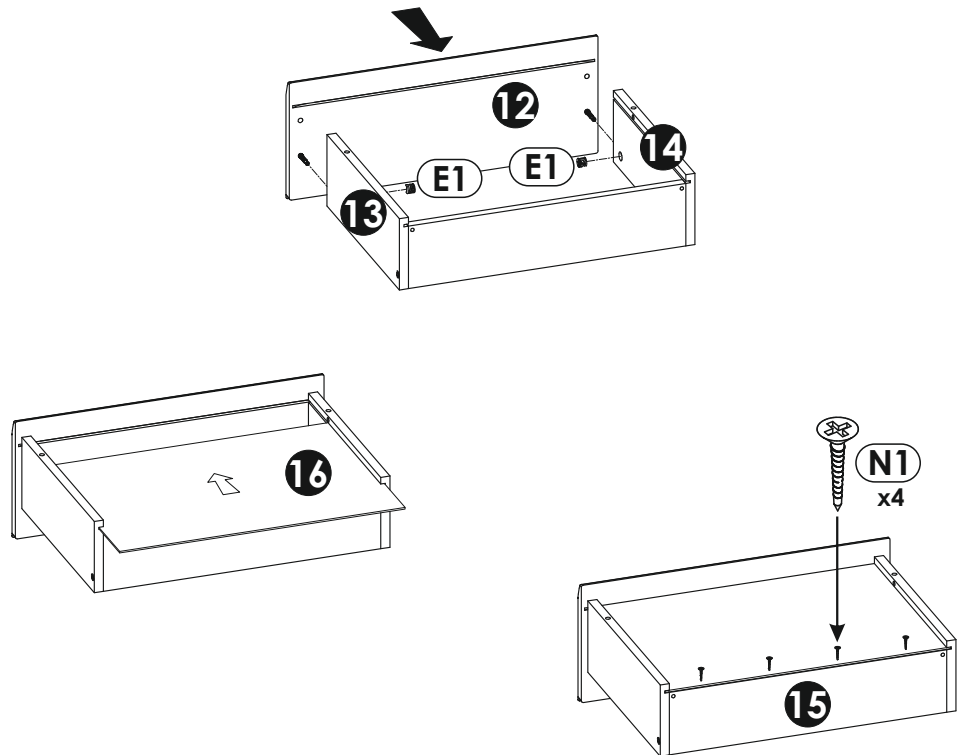
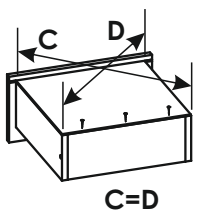
5 ▶



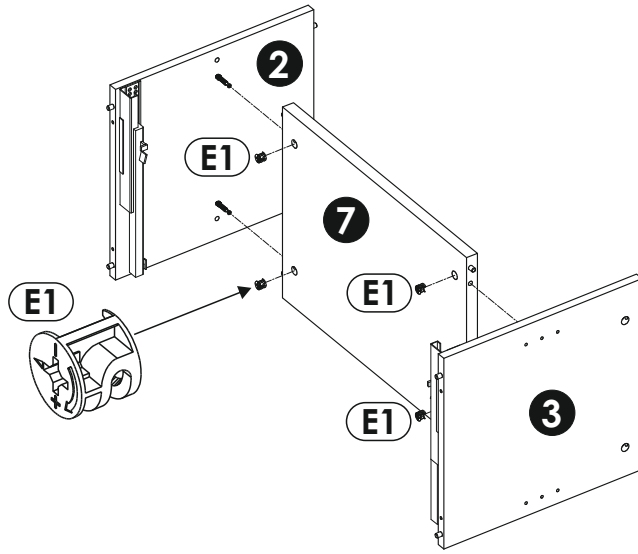
6 ▶



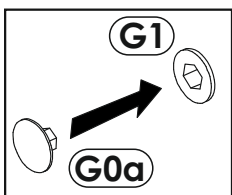
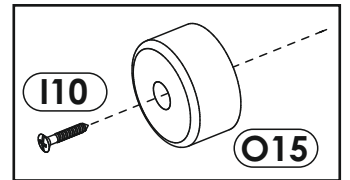
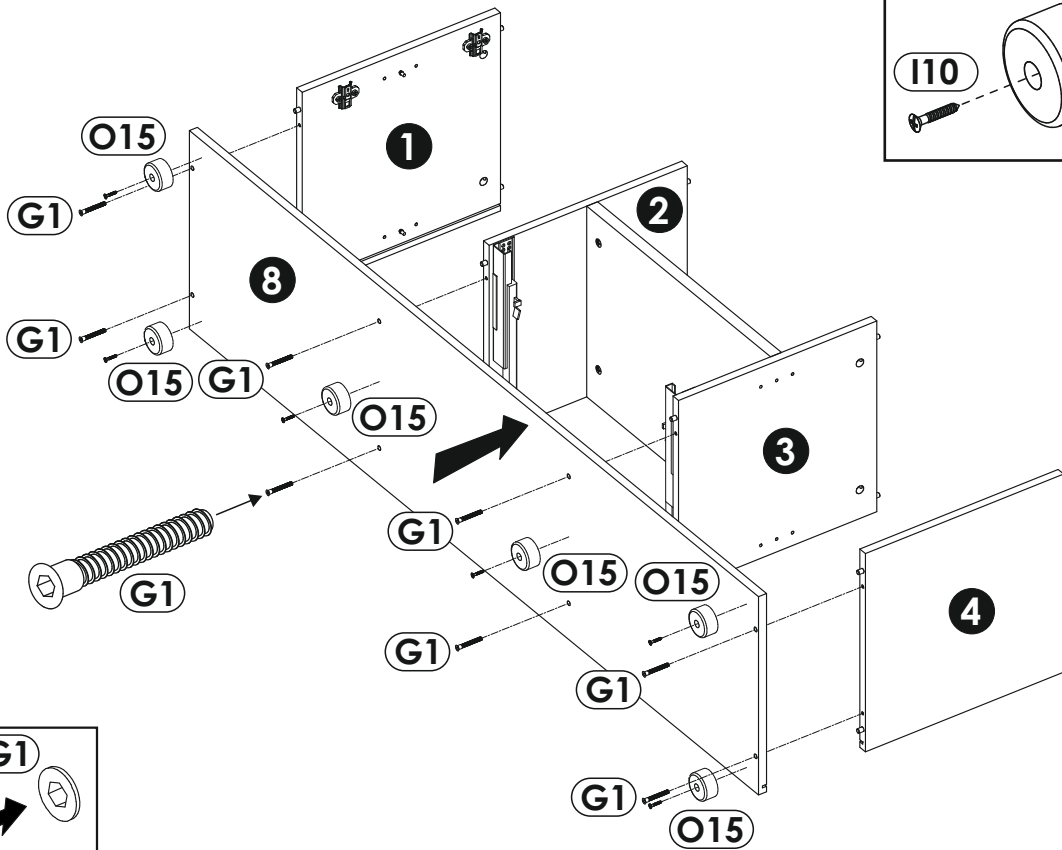
7 ▶



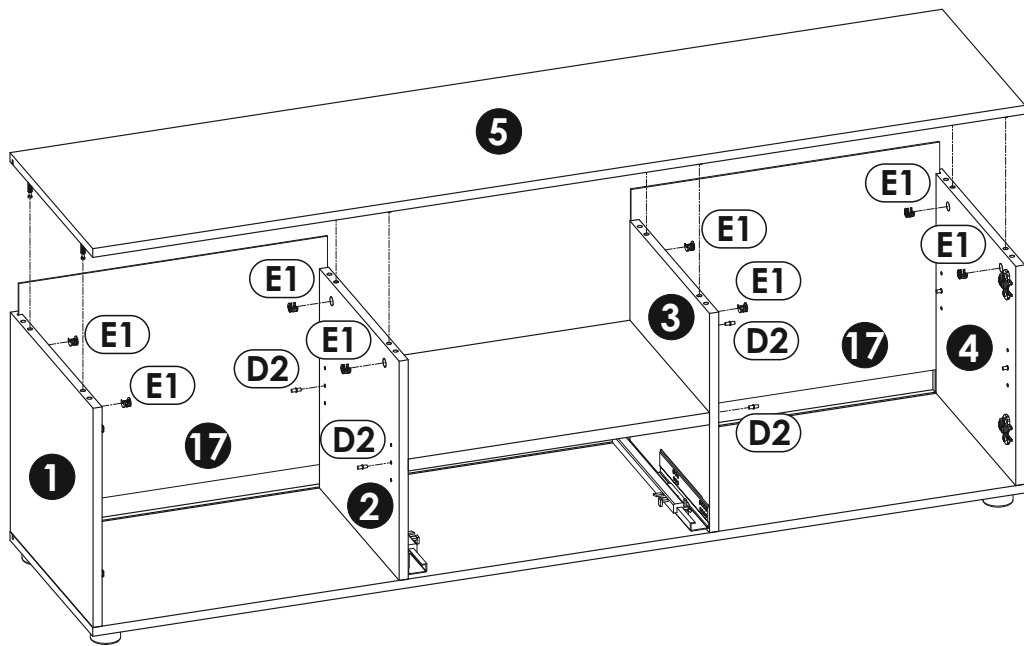
8 ▶



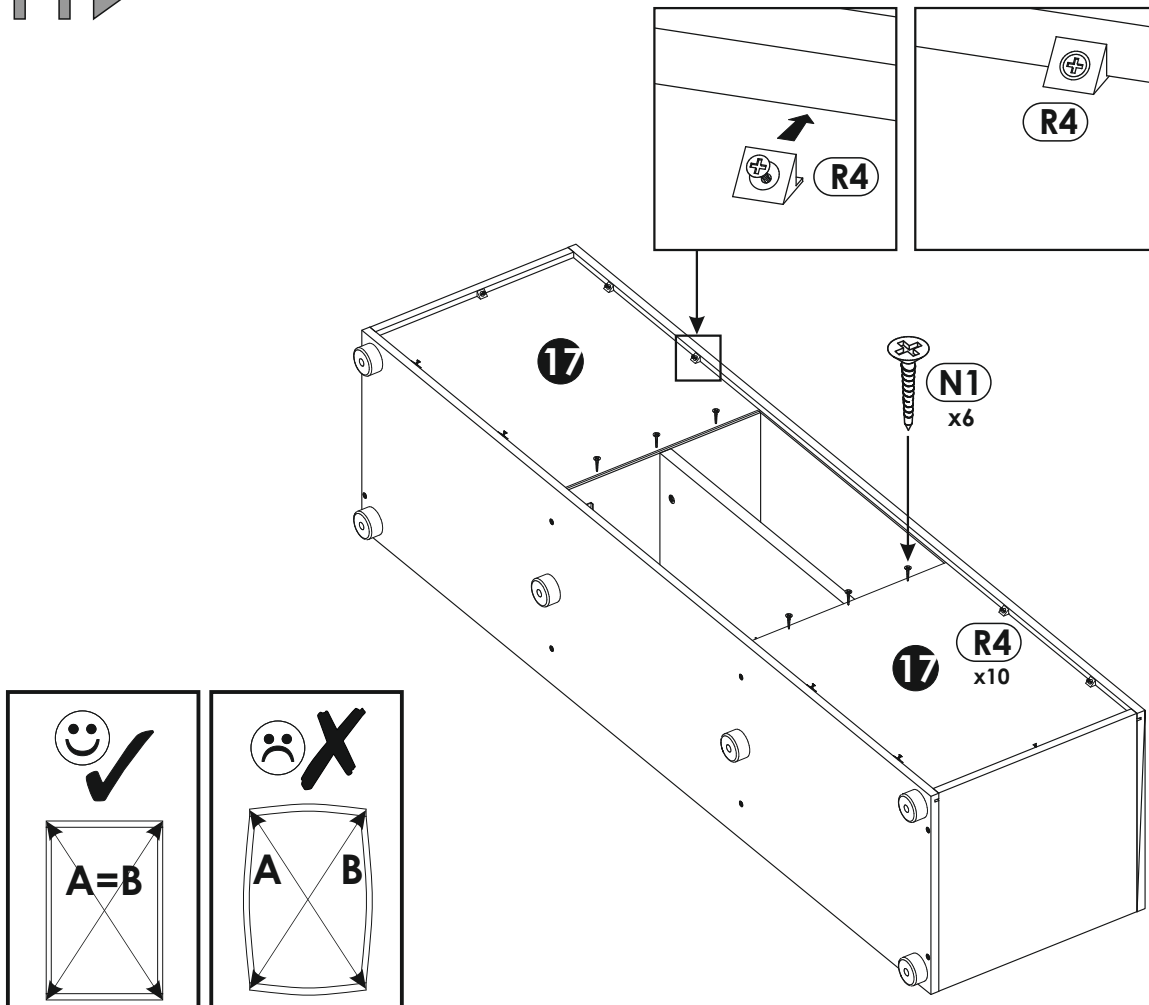
9 ▶



10 ▶



11 ▶



12 ▶

