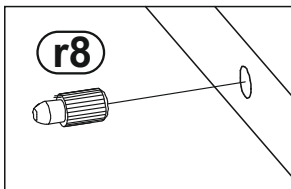
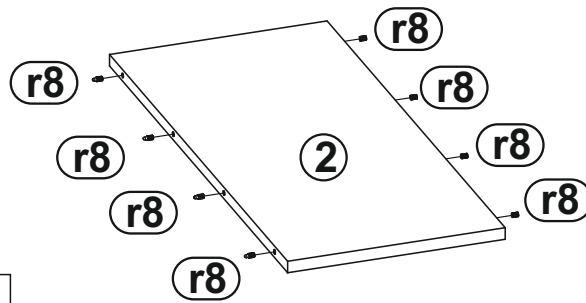
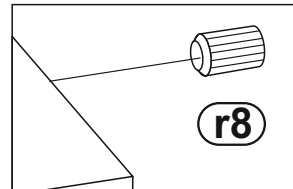
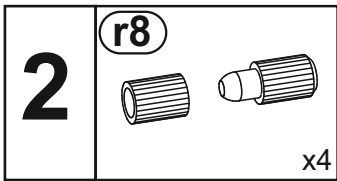
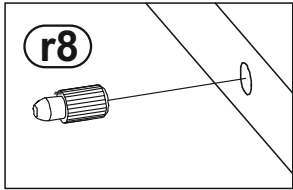
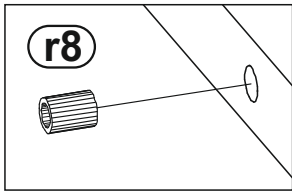
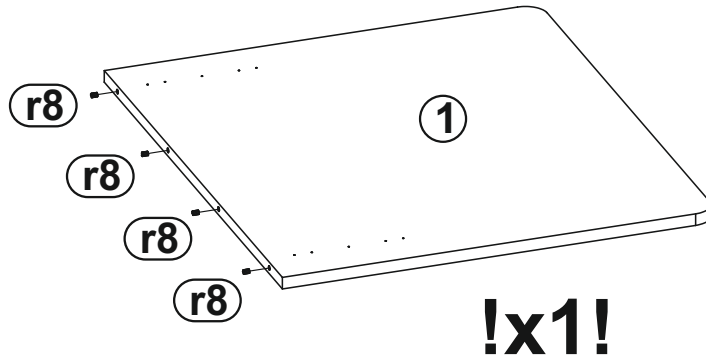


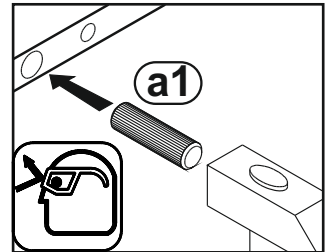
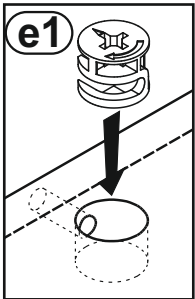
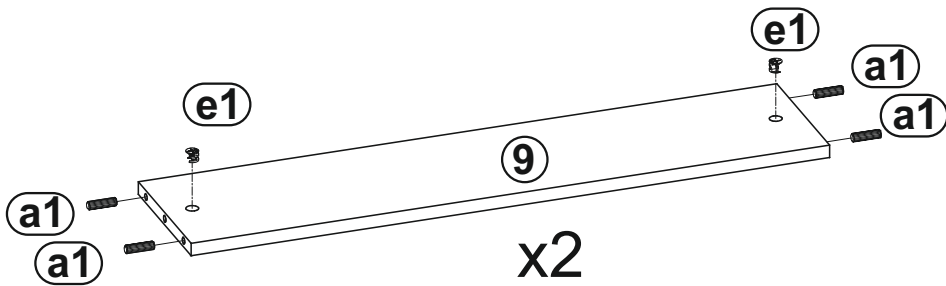
!x1!




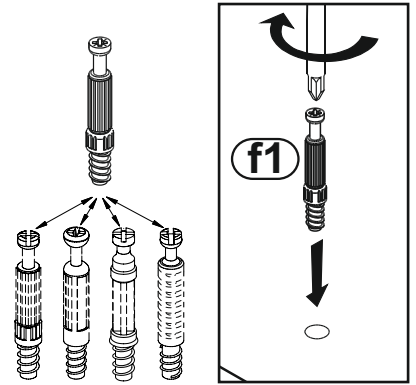
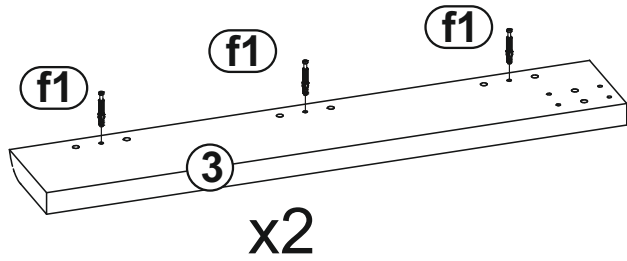
3	r8	
	x4	




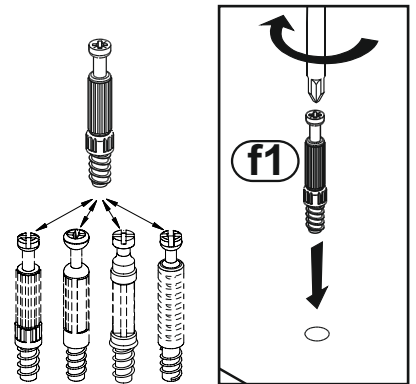
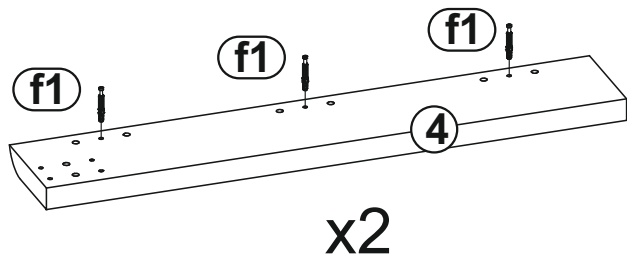
4	a1	e1
	 8x35 x8	 x4





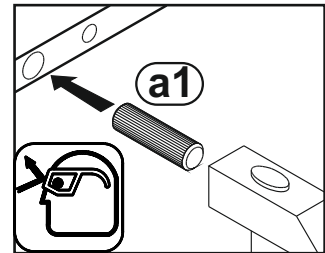
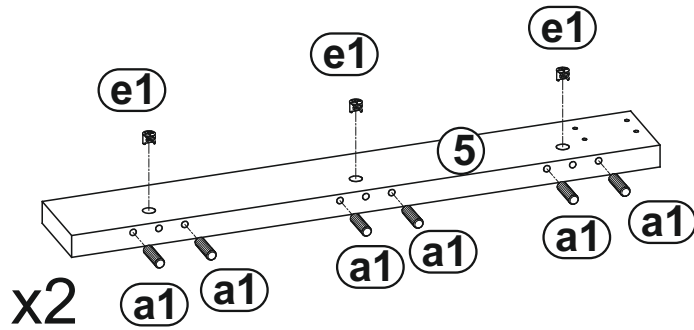
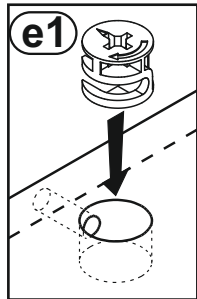
5  x6





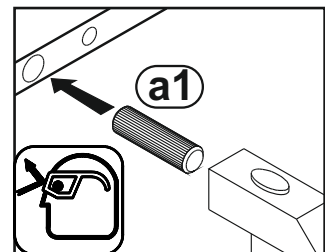
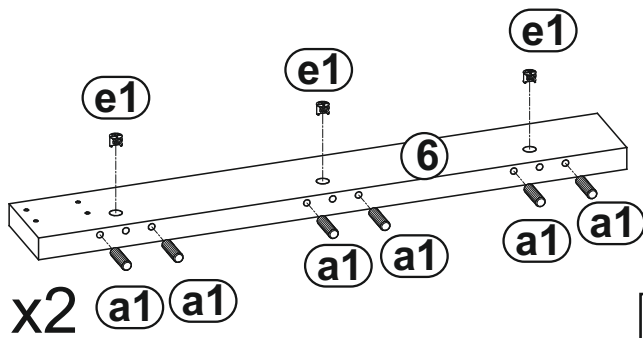
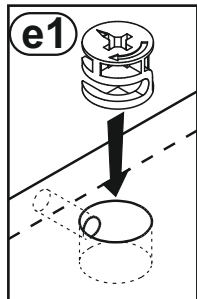
6  x6




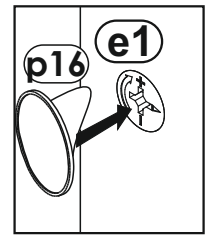
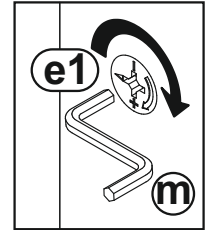
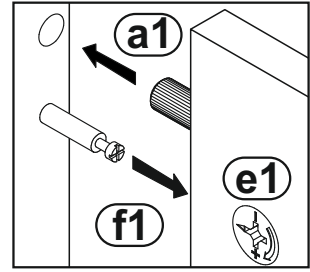
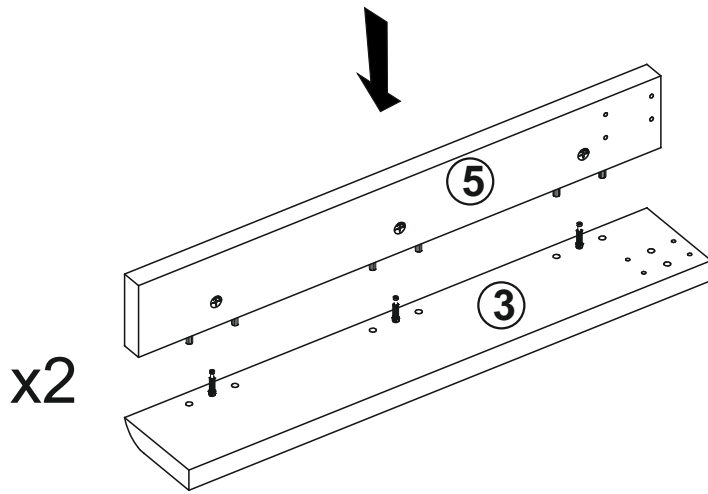
7	a1	e1
	 8x35 x12	 x6




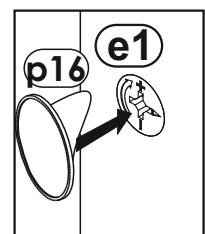
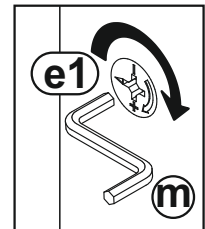
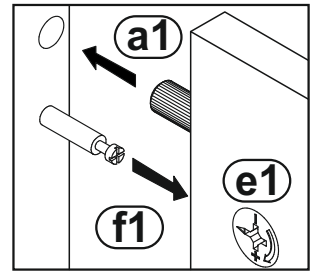
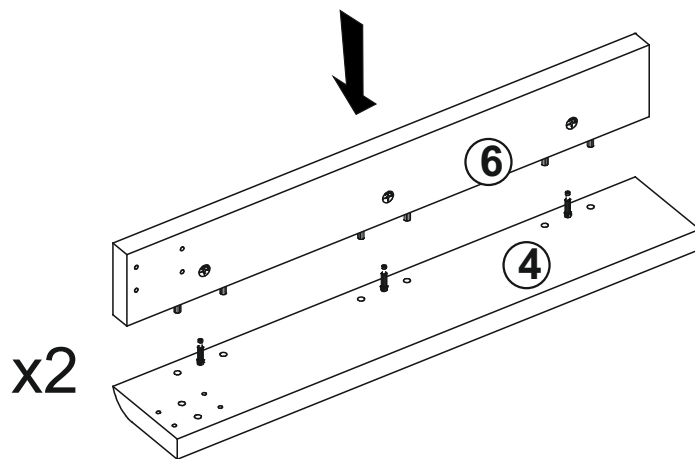
8	a1	e1
	 8x35 x12	 x6






9 **p16**

x6

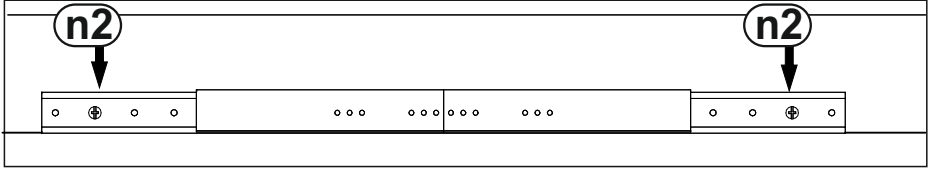
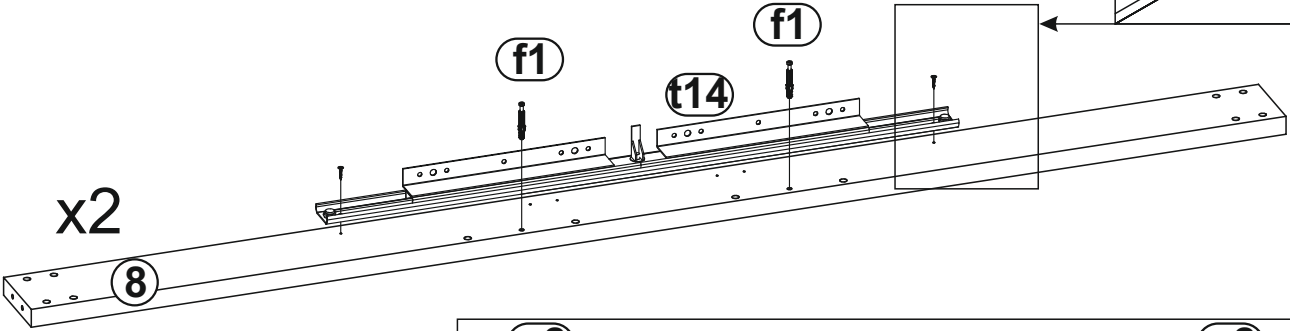
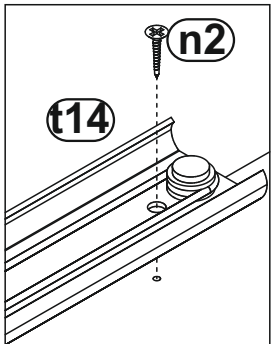


10 **p16**

x6




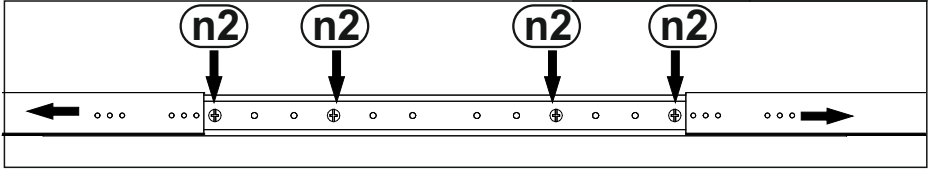
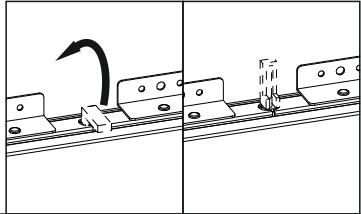
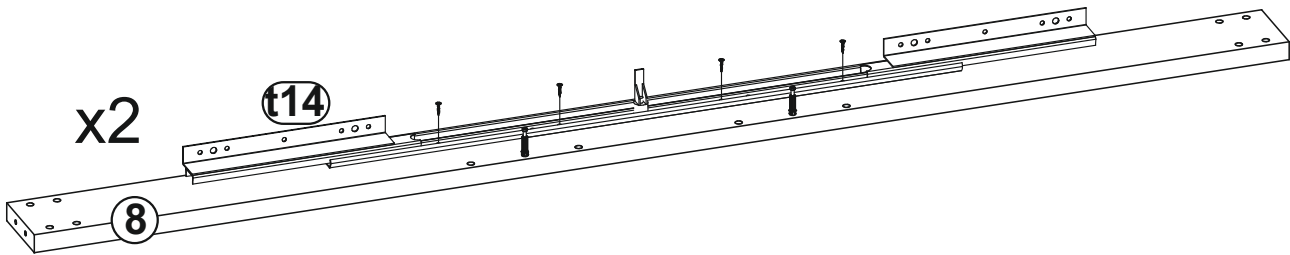
11


f1  x4	n2  3.5x16 x4	t14  L-750 x2
---	--	--



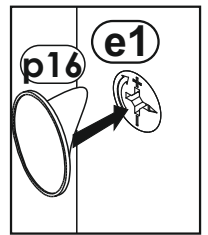
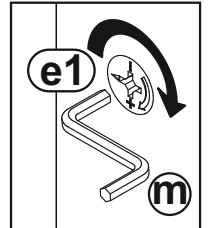
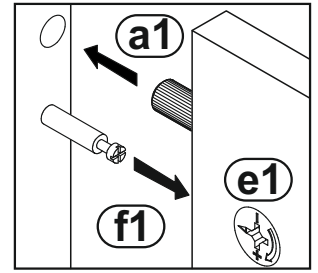
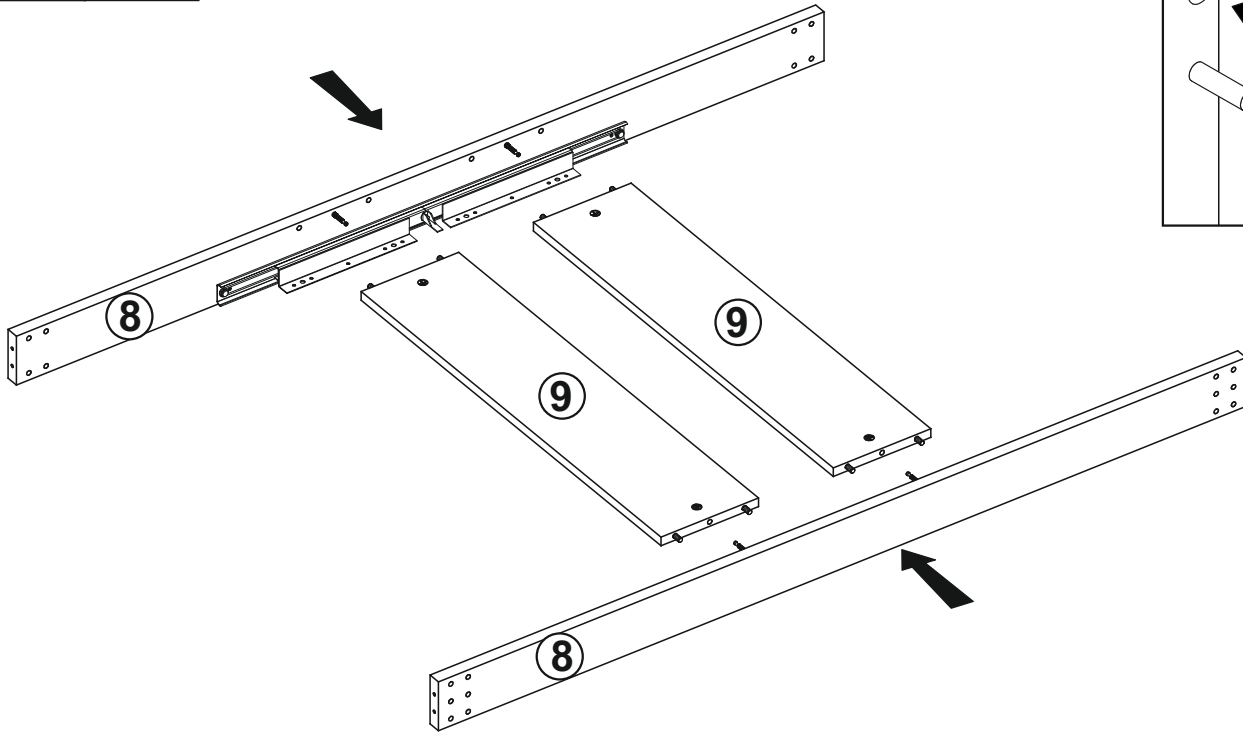
12

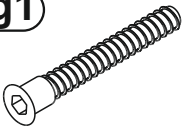
n2  3.5x16 x8
--

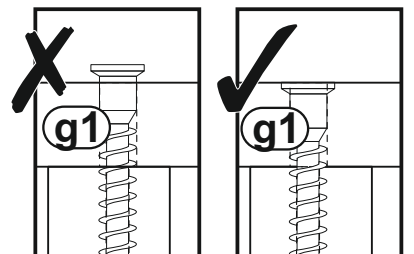
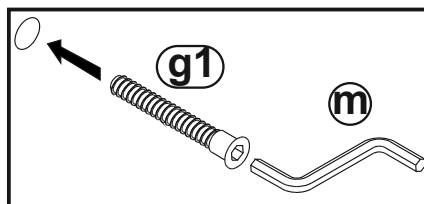
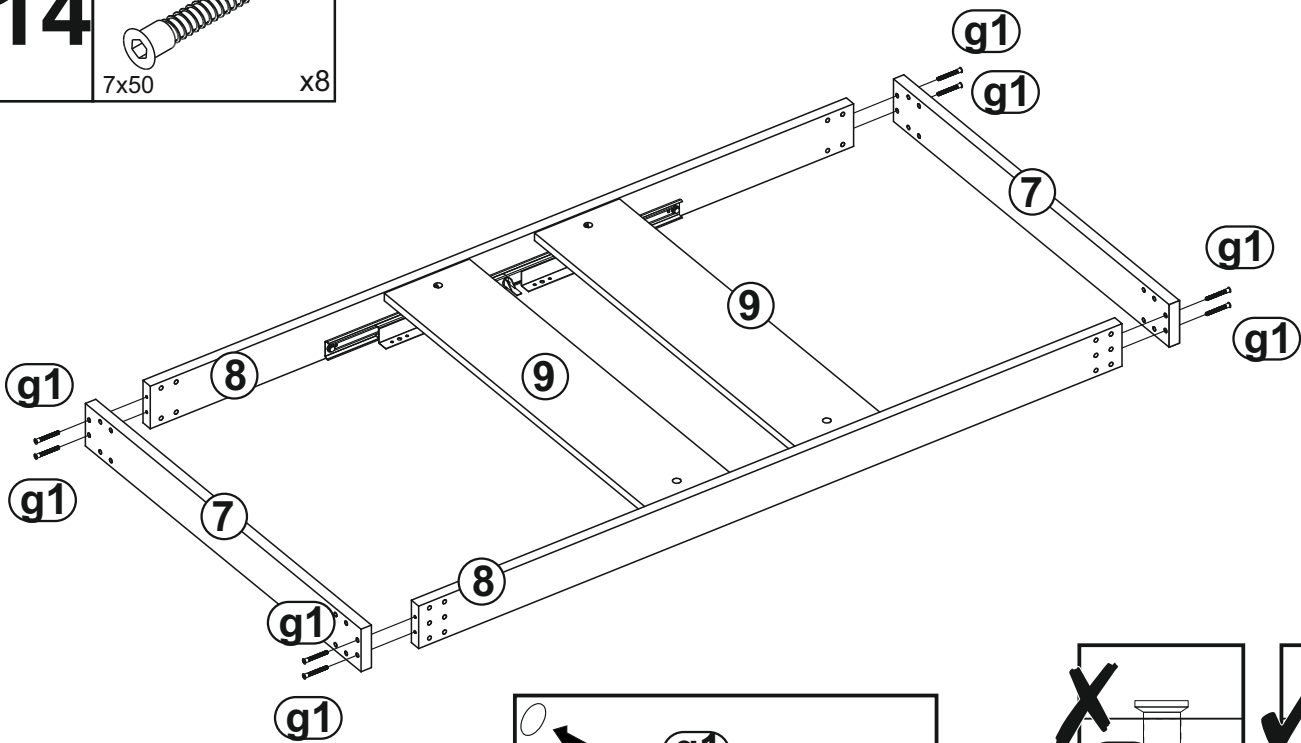


13 **p16**

x4

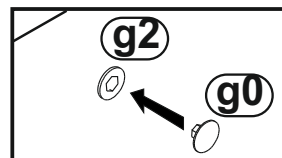
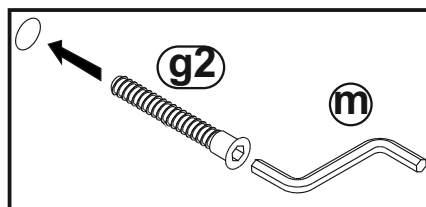
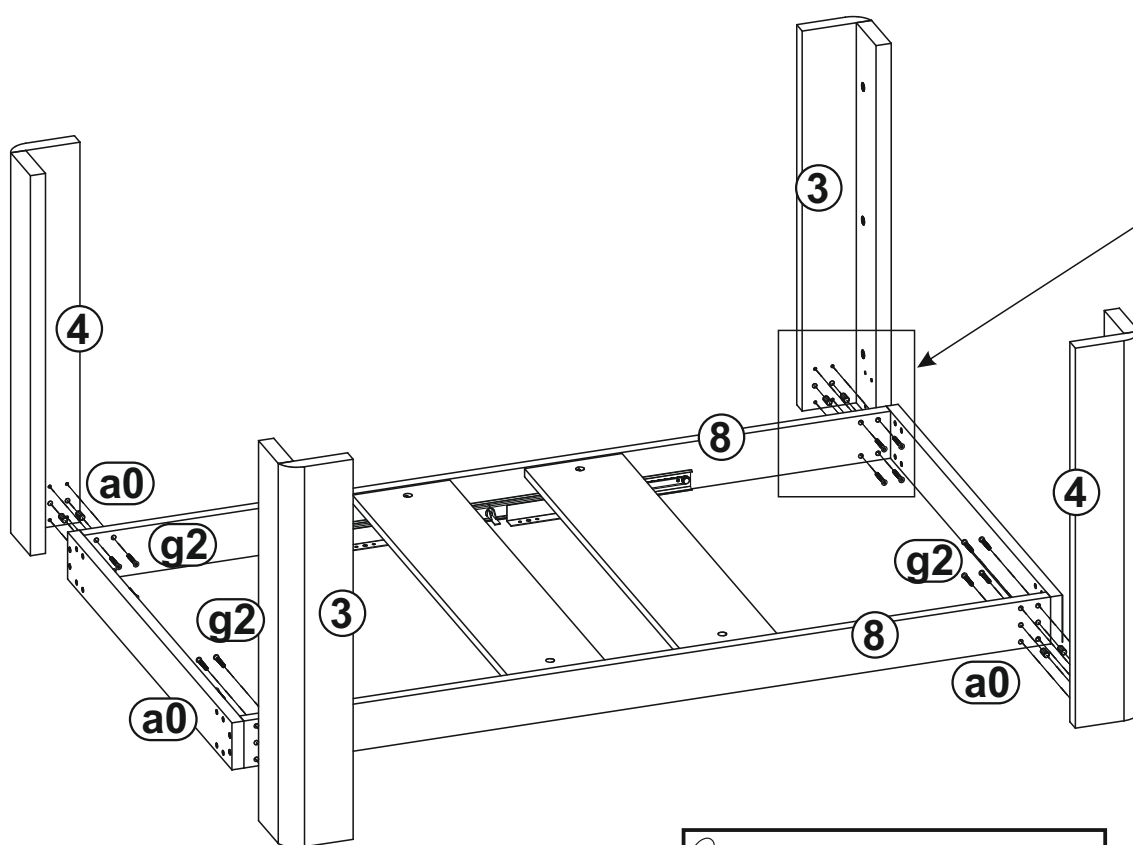
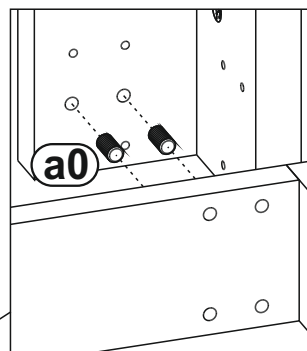
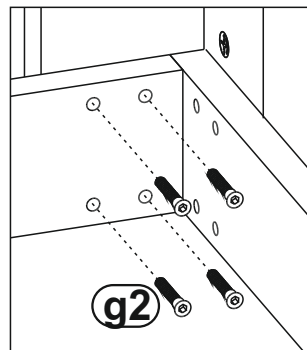
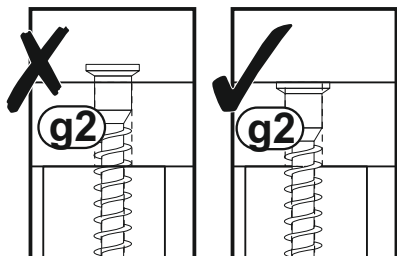
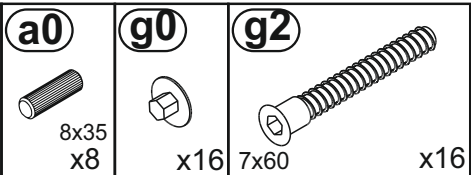
P9/15




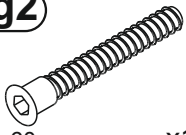

14 **g1**

7x50 x8

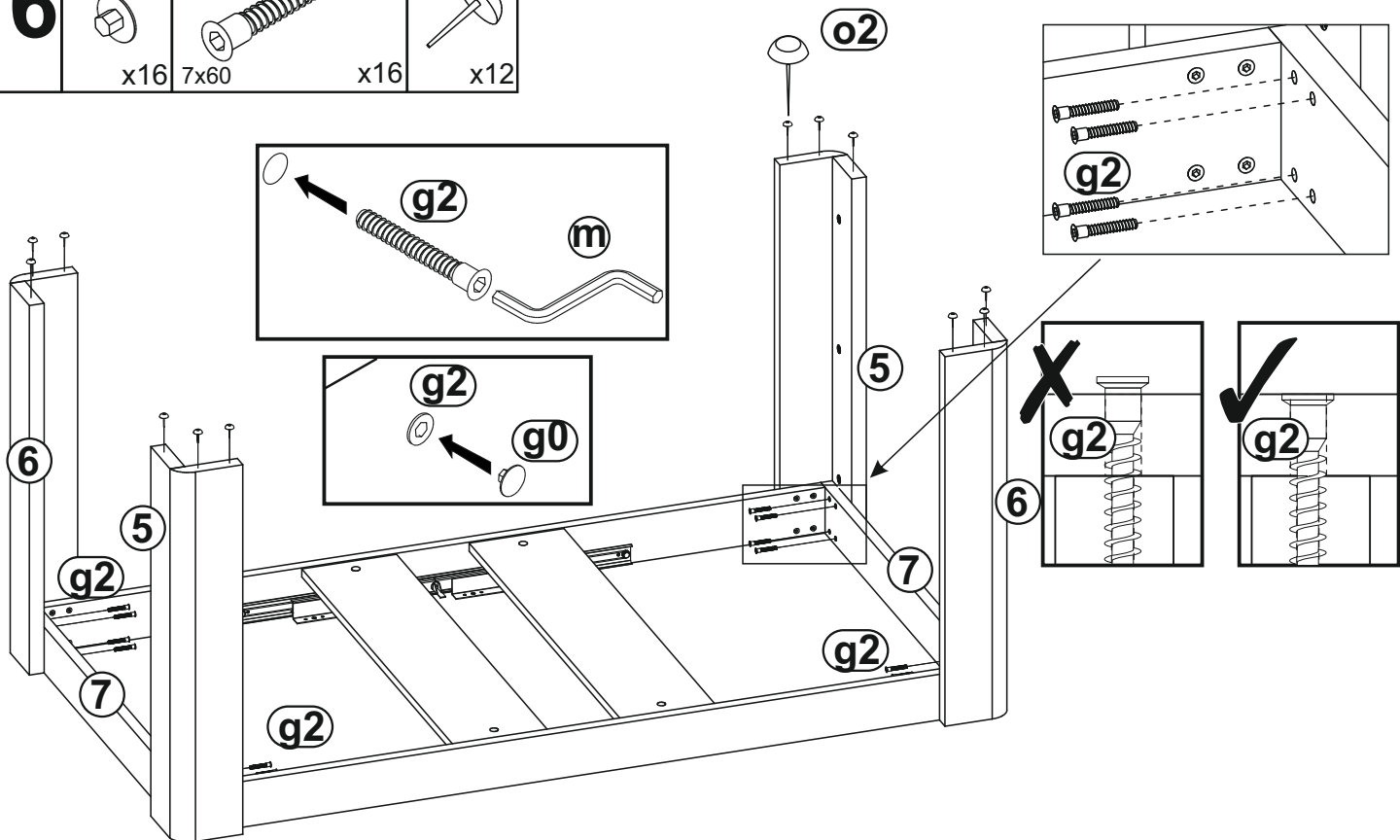


15




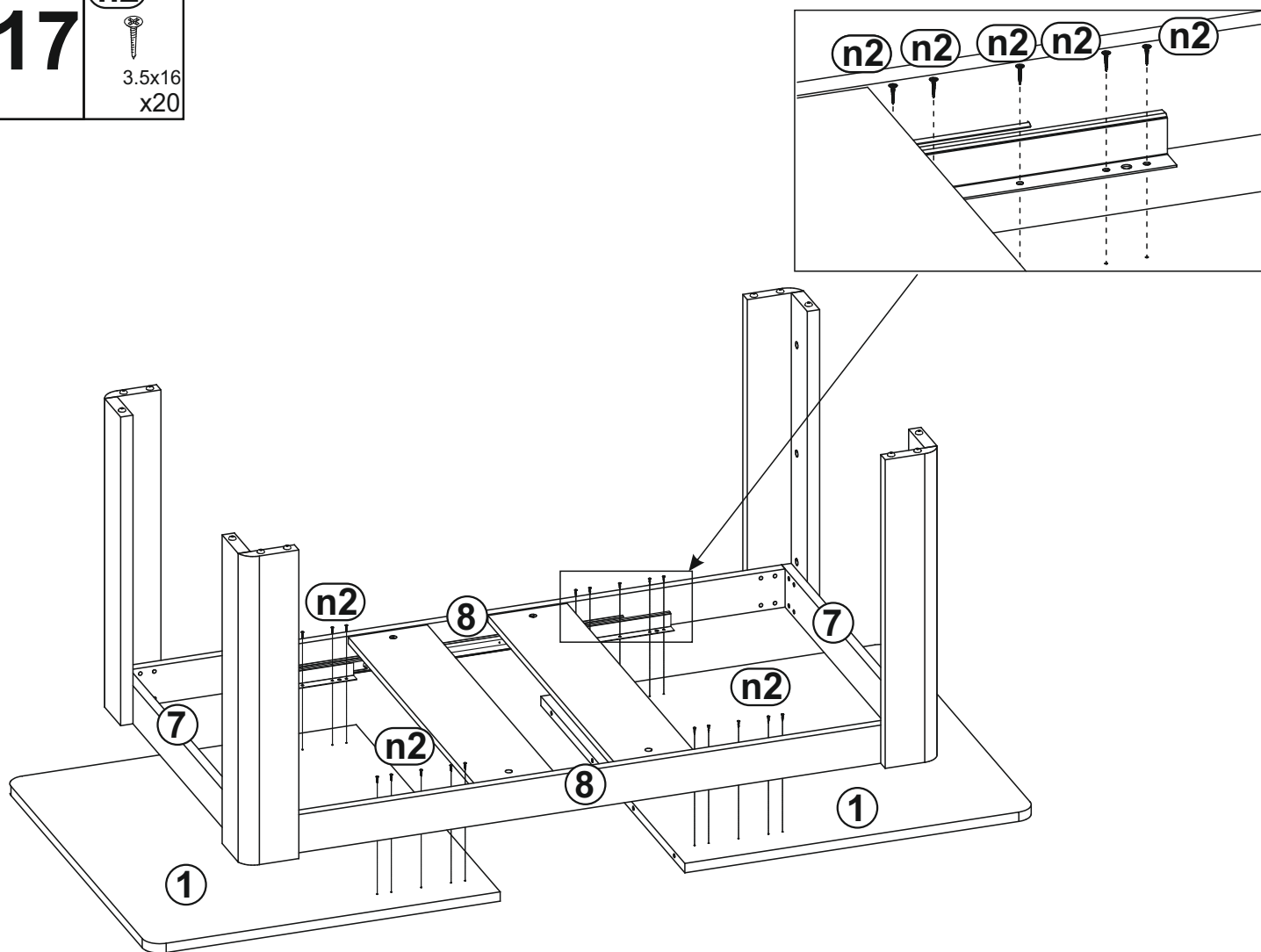
16

g0  x16	g2  7x60 x16	o2  x12
---	--	---

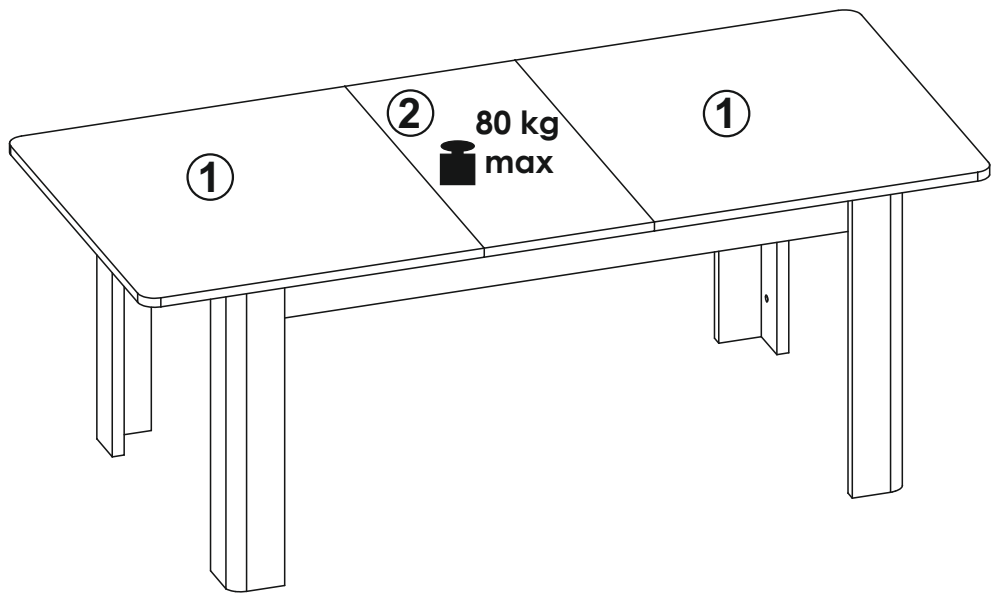
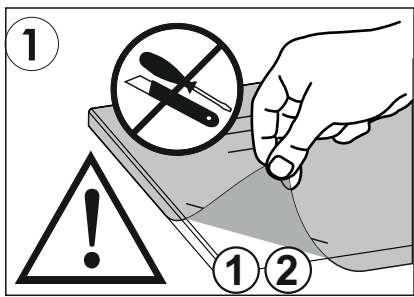


17

n2  3.5x16 x20



18



19

