
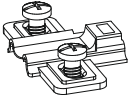
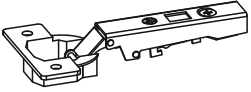


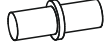






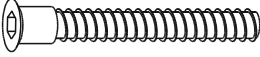



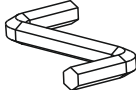

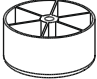


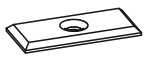

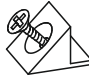
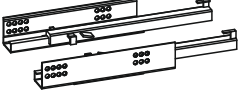
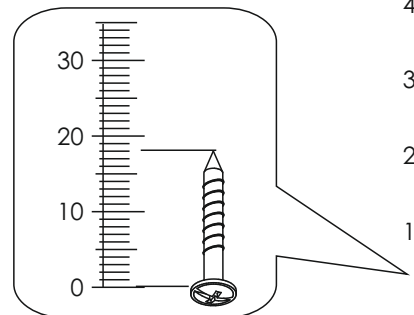
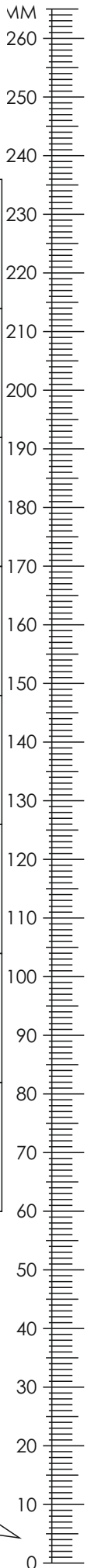
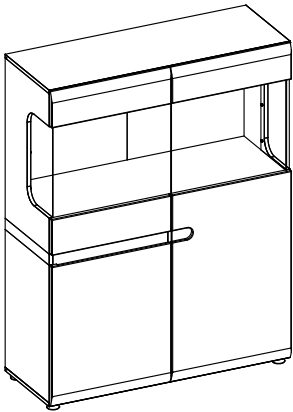
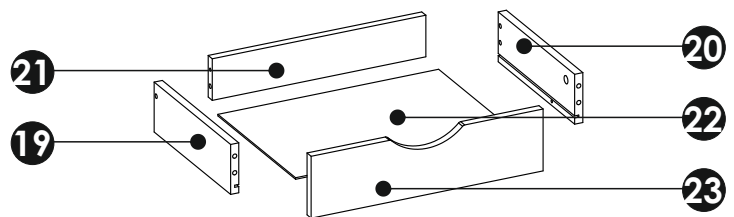
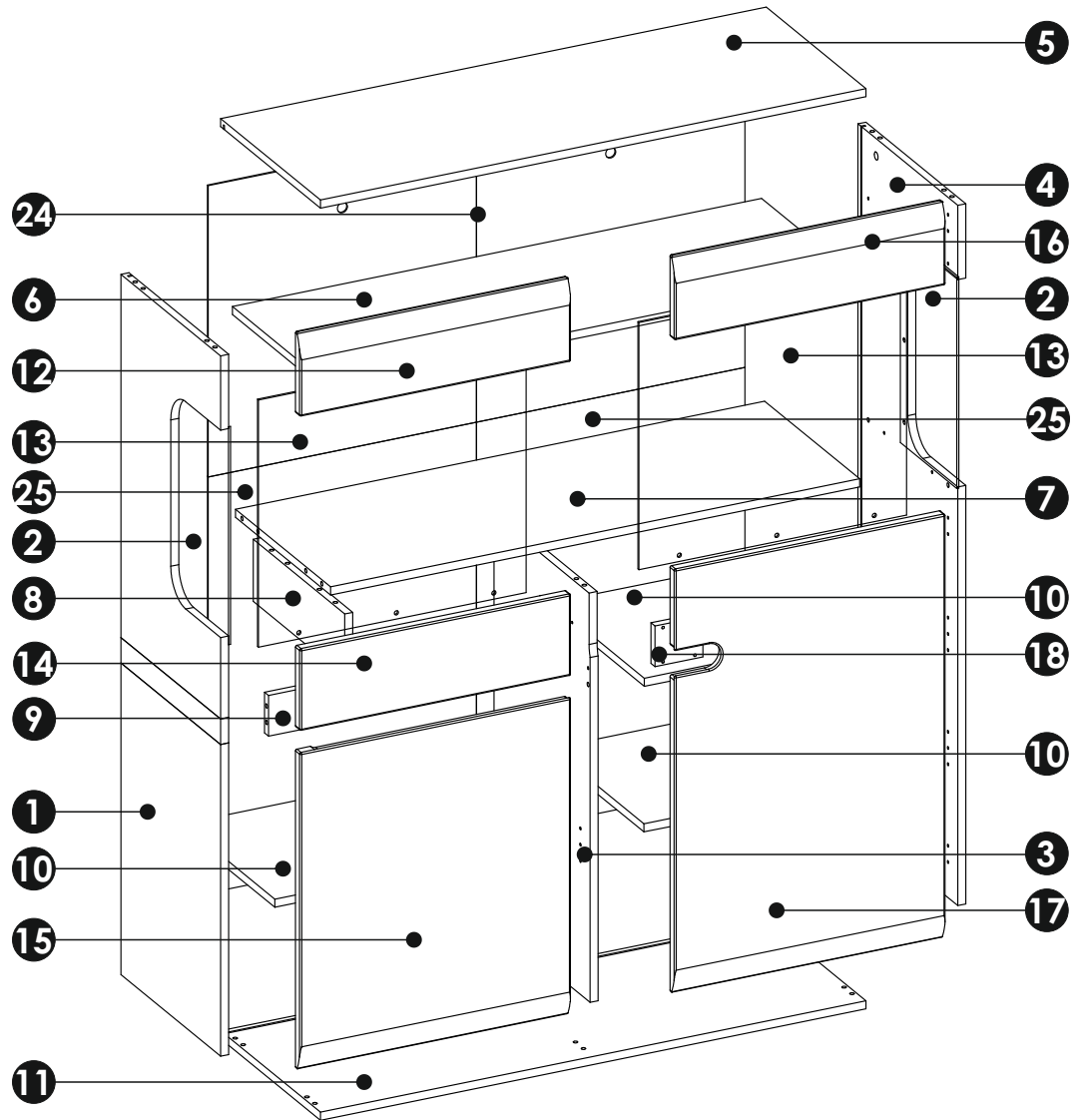


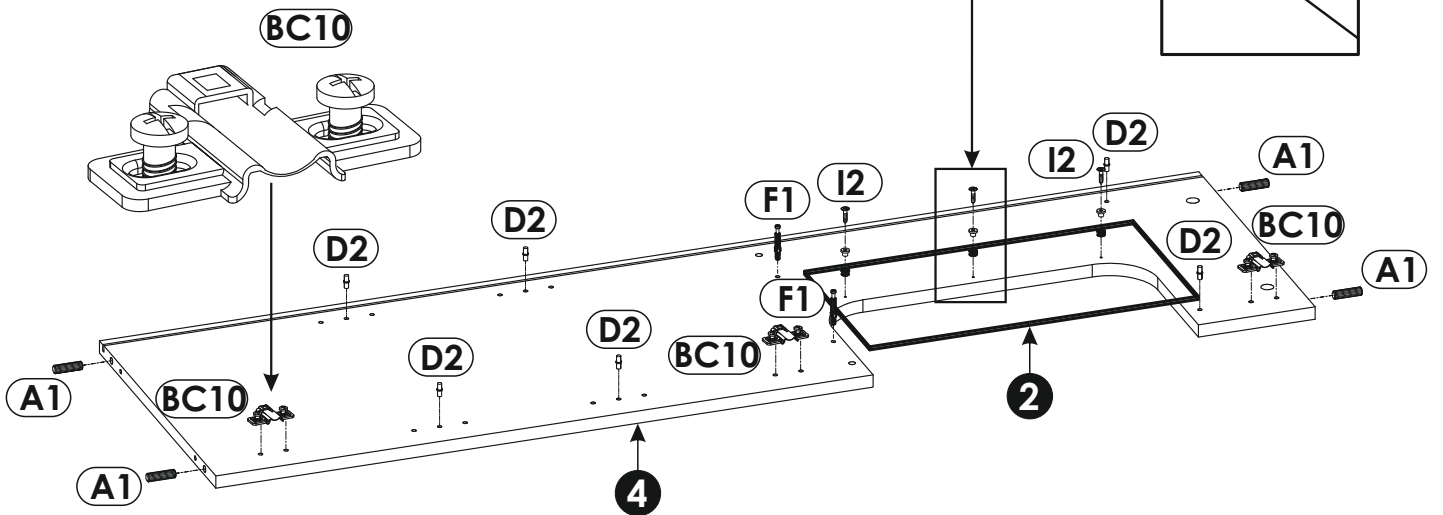
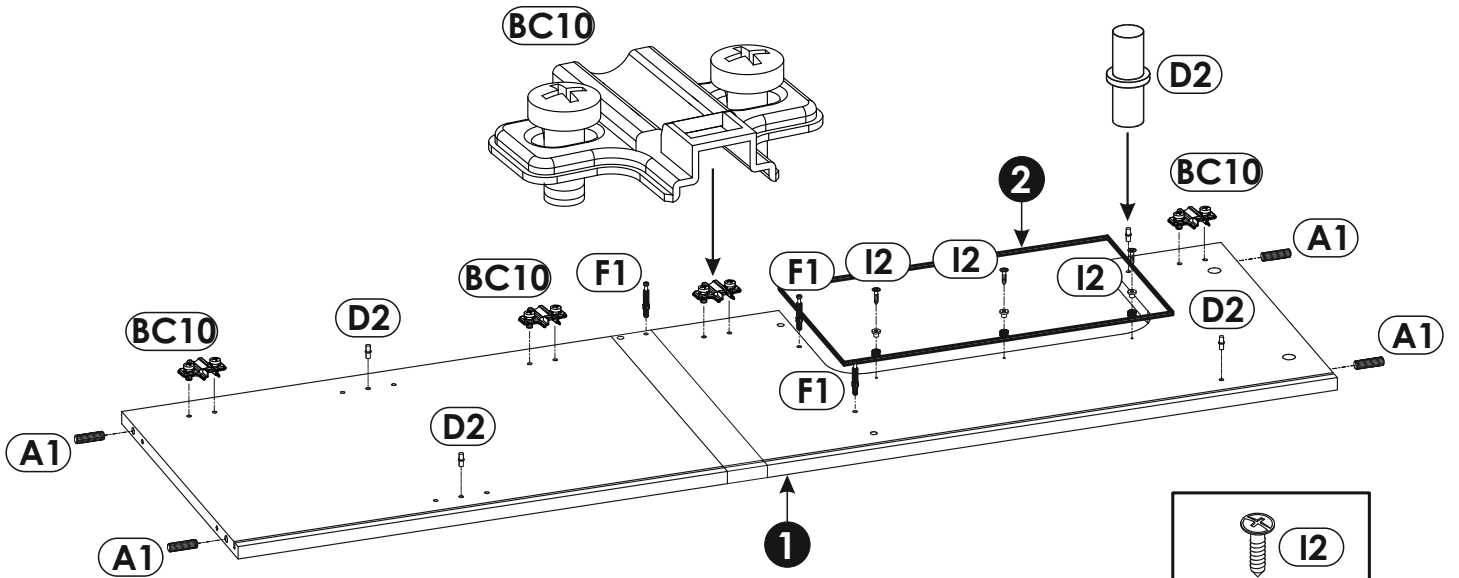
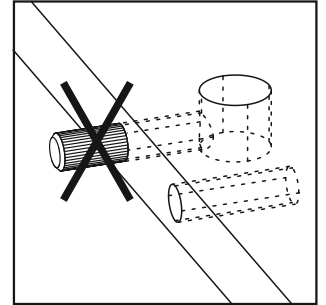
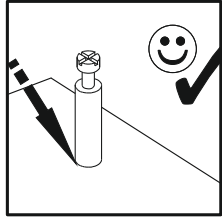
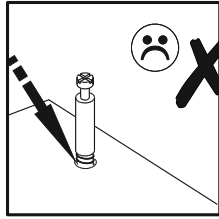
A1 x24 $\phi 8 \times 35$ mm 	BC10 x7 	BC11 x7 
C1 x14 4 x 13 mm 	C2 x4 5 x 13 mm 	D2 x16 
E0a x4 	E0b x12 	E1 x16 
F1 x16 	G0a x6 	G0b x2 
G1 x8 $\phi 7 \times 50$ mm 	I2 x19 4 x 16 mm 	I10 x5 3,5 x 22 mm 
J6 x4 4 x 30 mm 	M x1 	N1 x20 3 x 16 mm 
O15 x5 $\phi 50 \times 25$ mm 	P13 x2 	Q9 x1 
R1 x10 	R3 x18 	R4 x10 
T10 x1 		



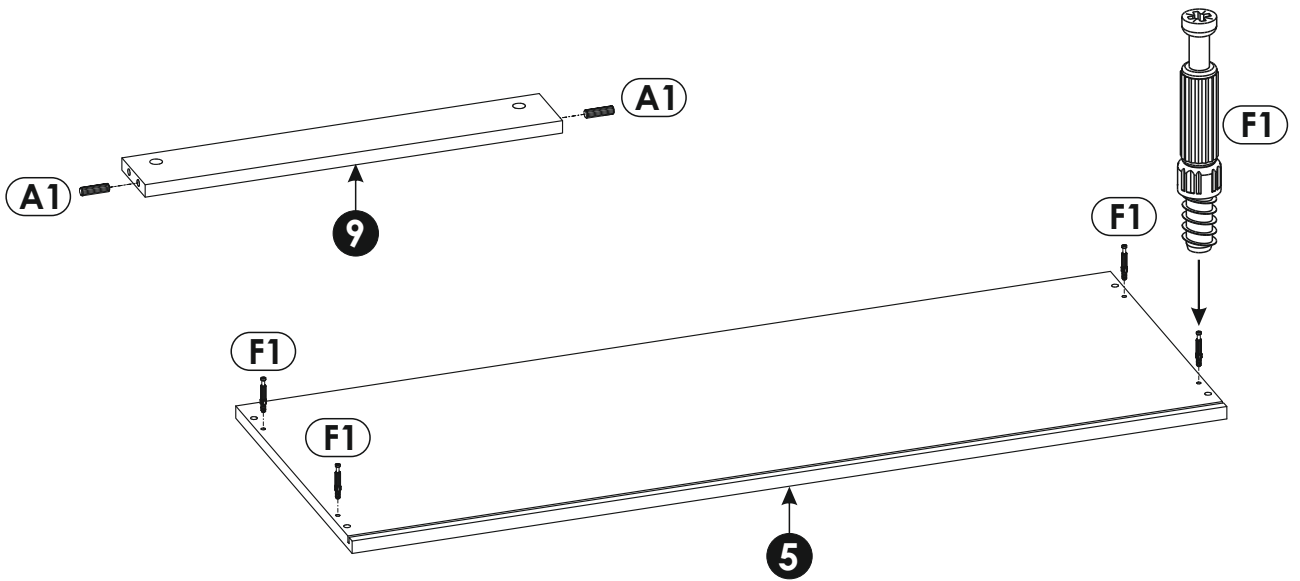
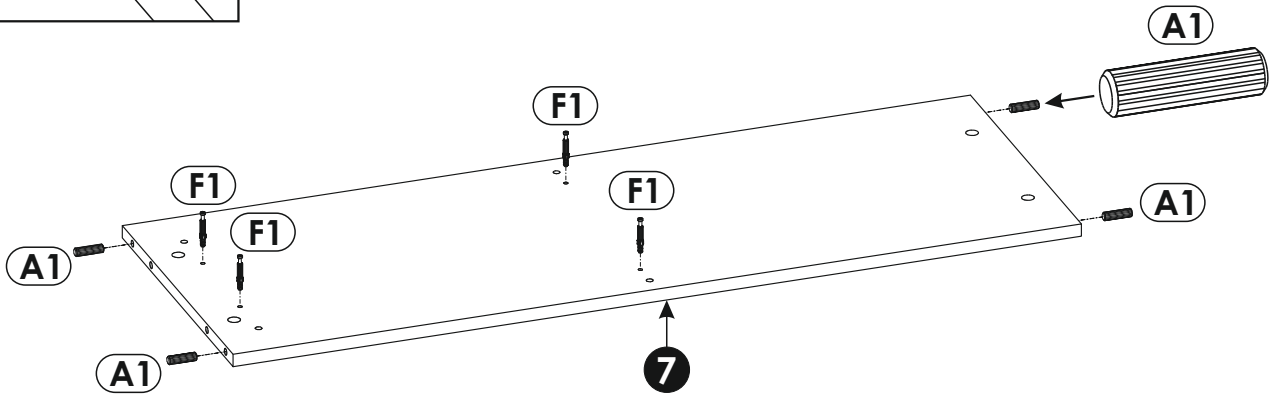
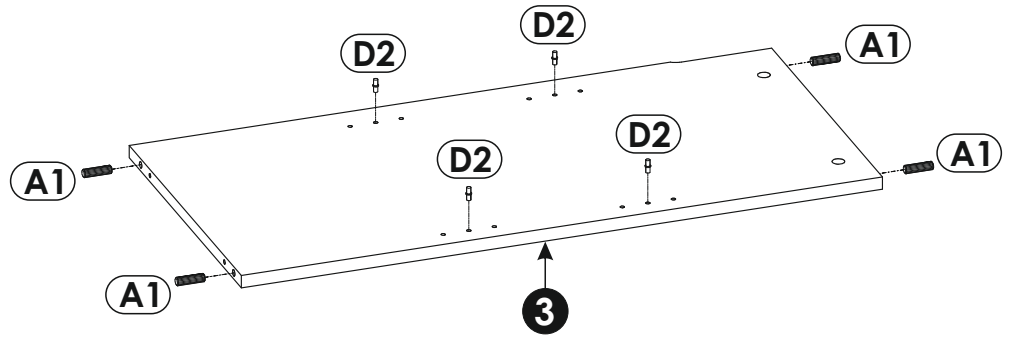
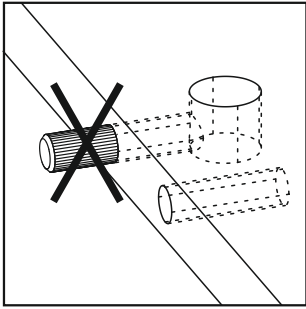


1	1375	400	16	x1	2/2
2	411	224	4	x2	1/2
3	802	385	16	x1	2/2
4	1375	400	16	x1	2/2
5	1094	400	16	x1	2/2
6	1061	370	16	x1	2/2
7	1061	381	16	x1	2/2
8	122	367	16	x1	1/2
9	522	80	16	x1	1/2
10	522	370	16	x3	1/2
11	1094	400	16	x1	2/2
12	543	160	19	x1	1/2
13	527	477	4	x2	1/2
14	543	160	19	x1	1/2
15	543	626	19	x1	1/2
16	543	160	19	x1	1/2
17	543	836	19	x1	1/2
18	96	80	16	x1	1/2
19	300	96	16	x1	1/2
20	300	96	16	x1	1/2
21	419	80	16	x1	1/2
22	433	305	3	x1	1/2
23	455	119	16	x1	1/2
24	572	1076	3	x1	1/2
25	817	538	3	x2	1/2

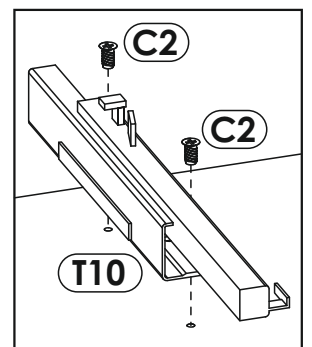
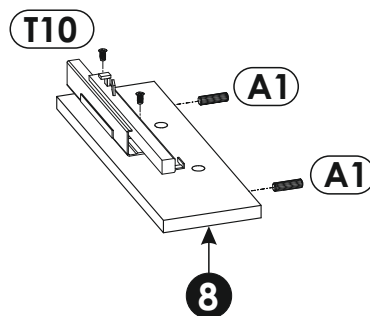
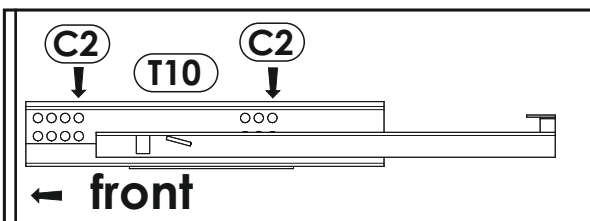




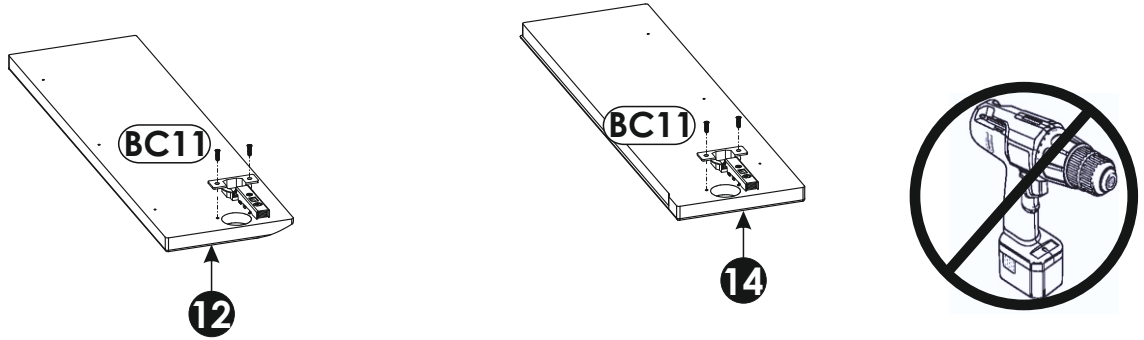
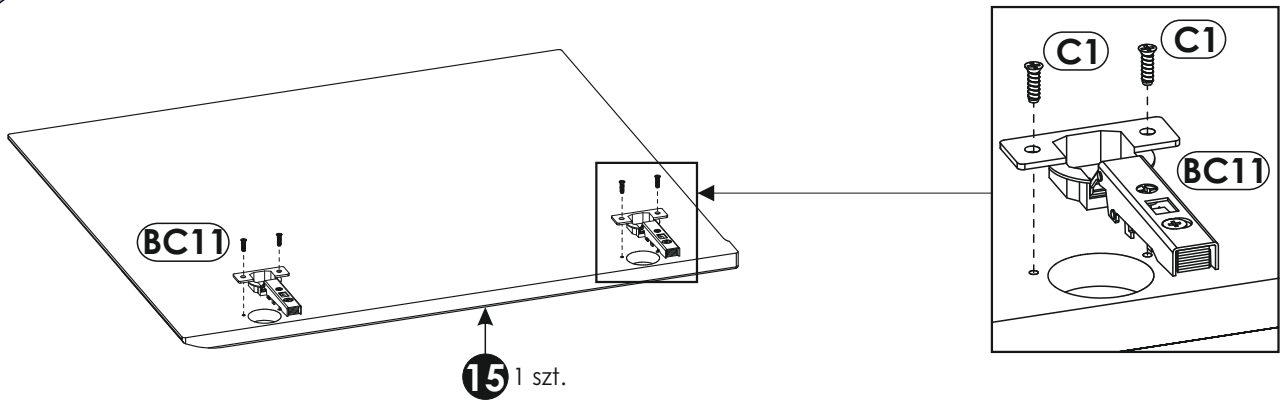
2 ▶



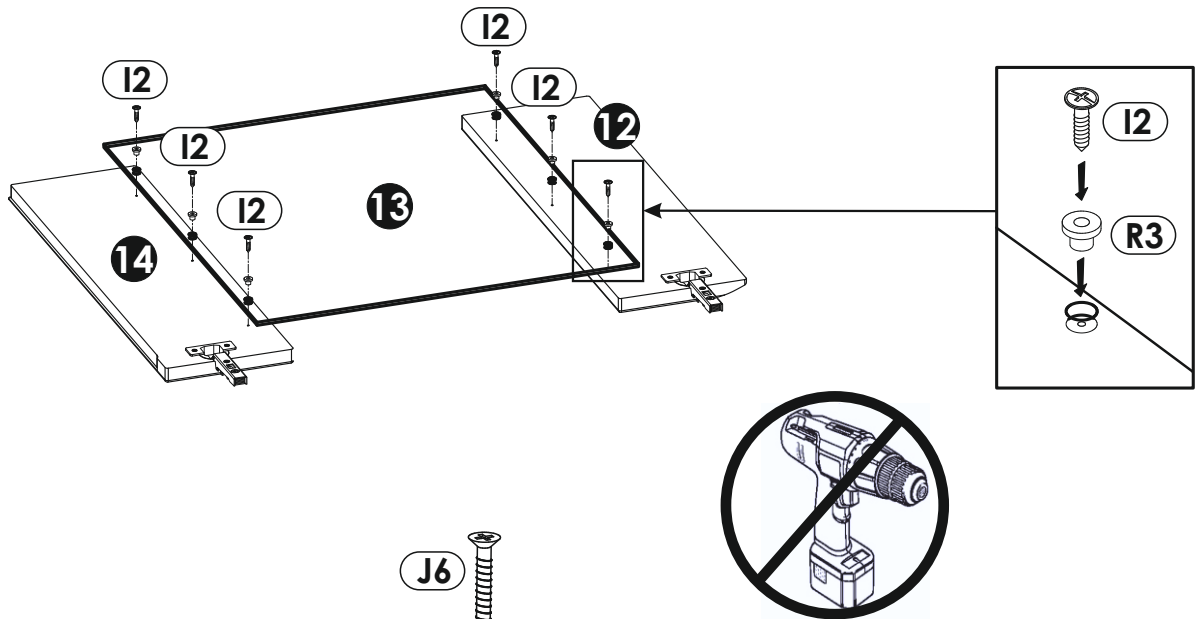
3 ▶



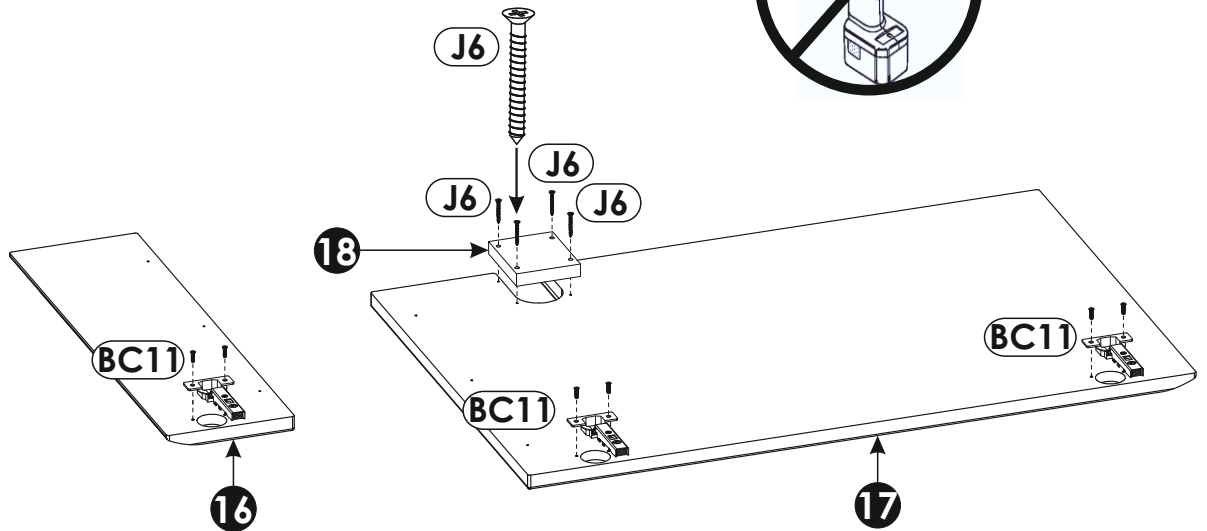
4 ▶



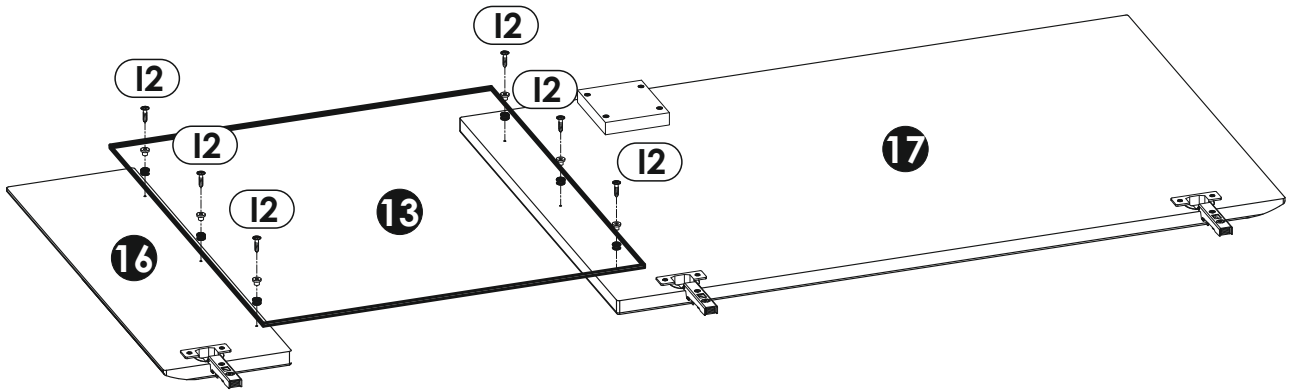
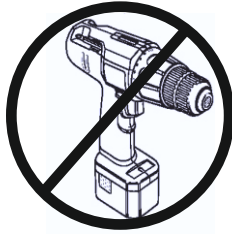
5 ▶



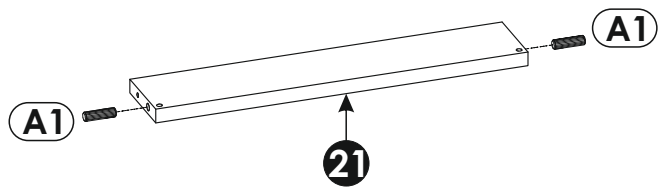
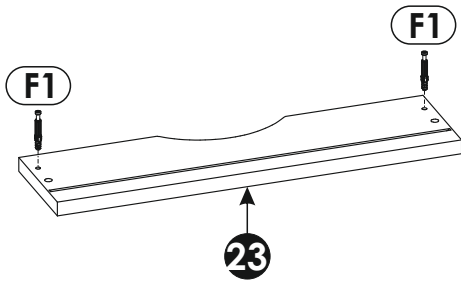
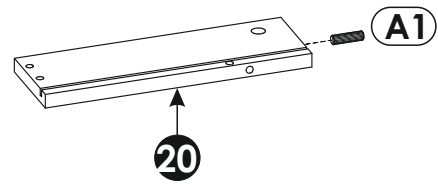
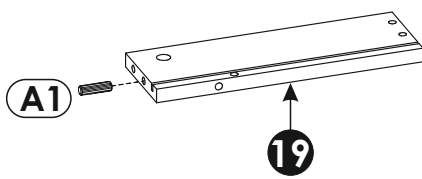
6 ▶



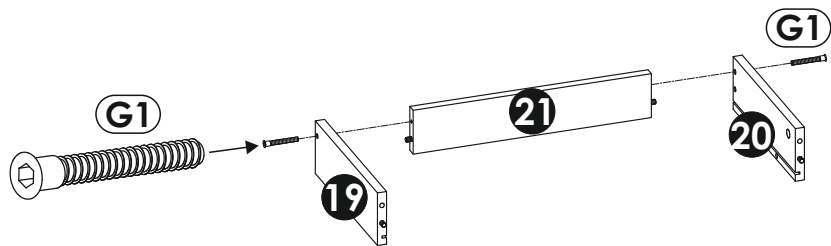
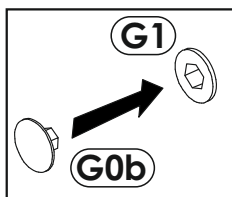
7 ▶



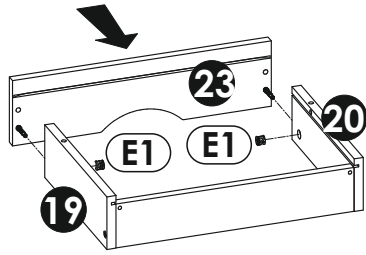
8 ▶



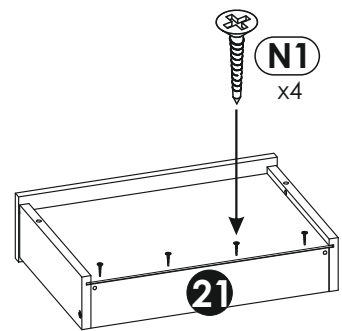
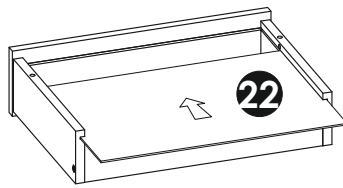
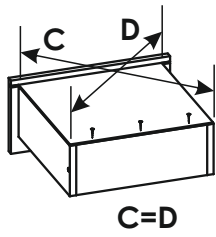
9 ▶



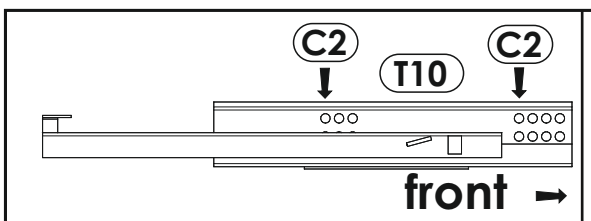
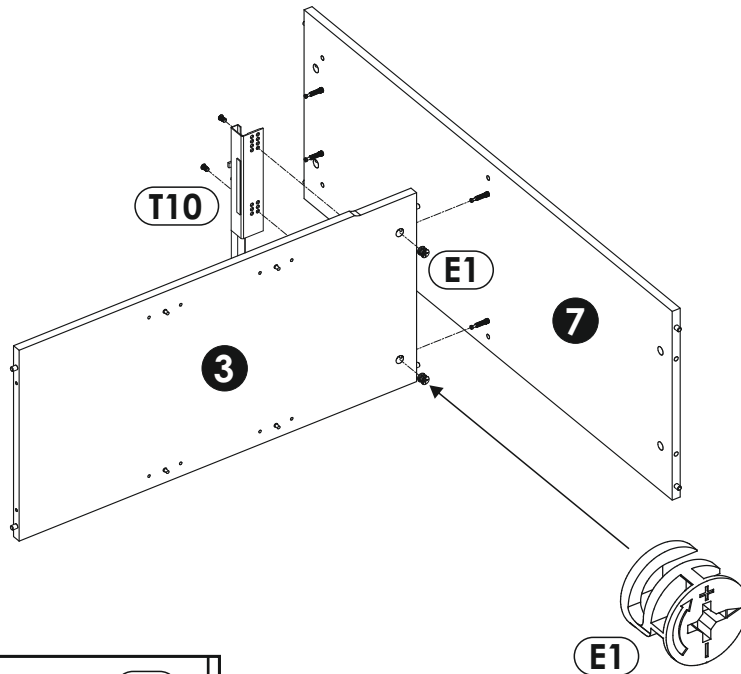
10 ▶



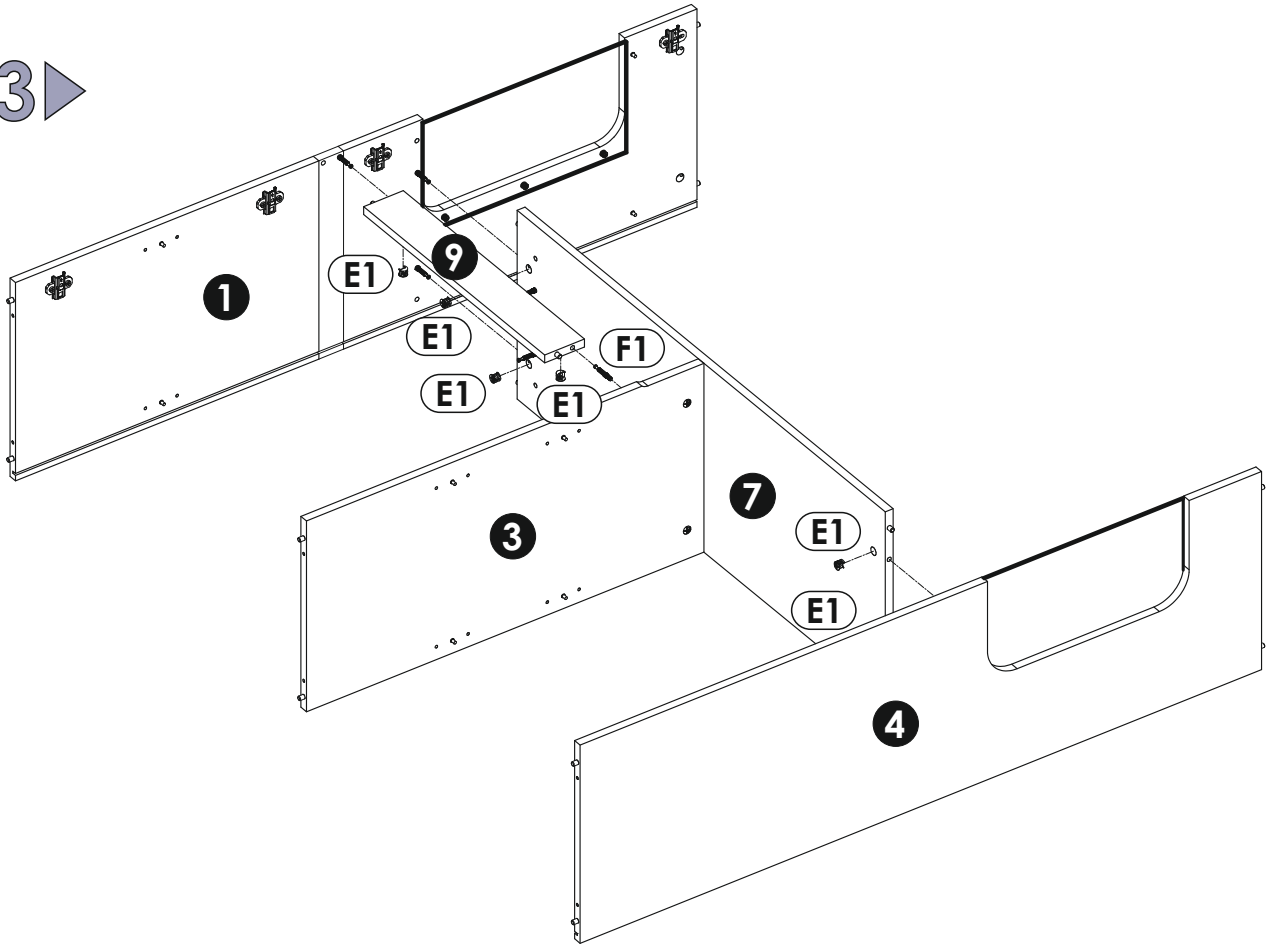
11 ▶



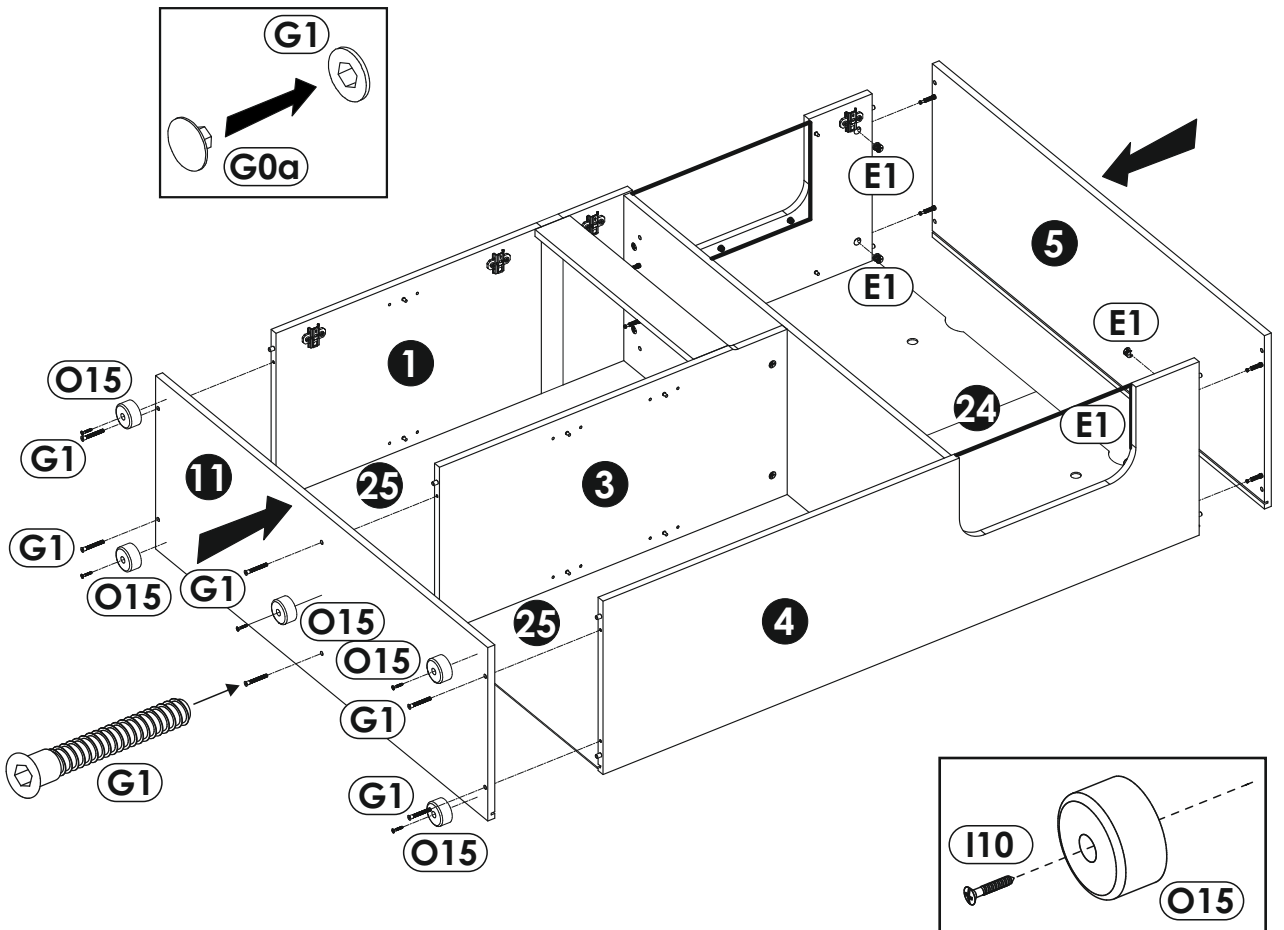
12 ▶



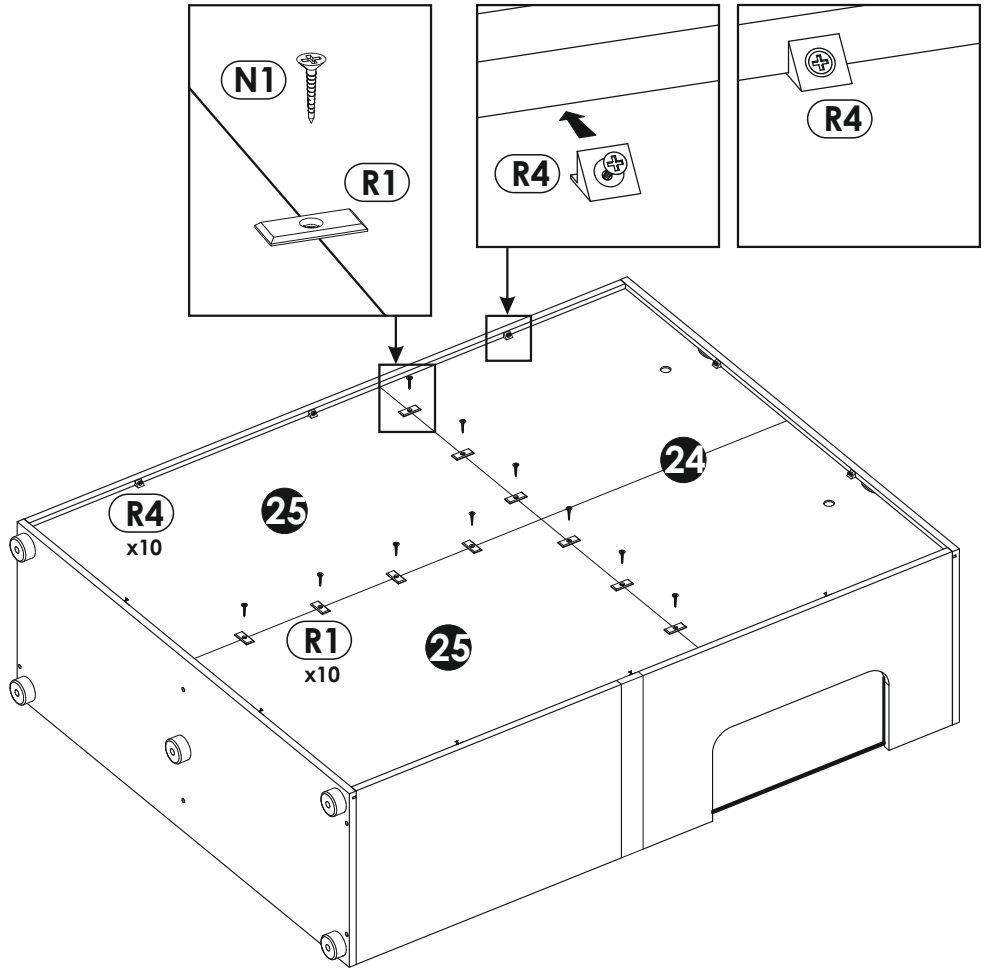
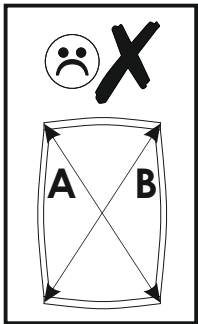
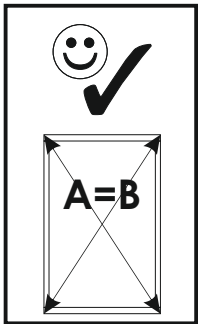
13 ▶



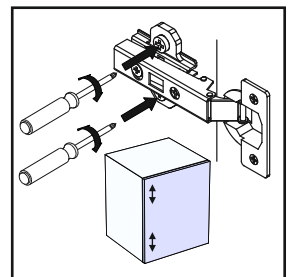
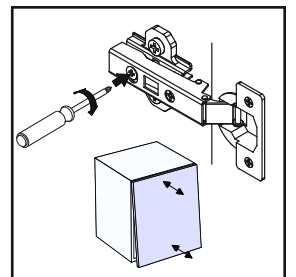
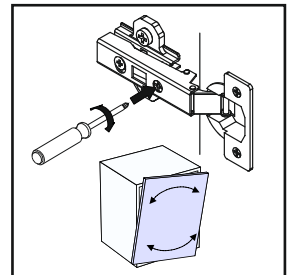
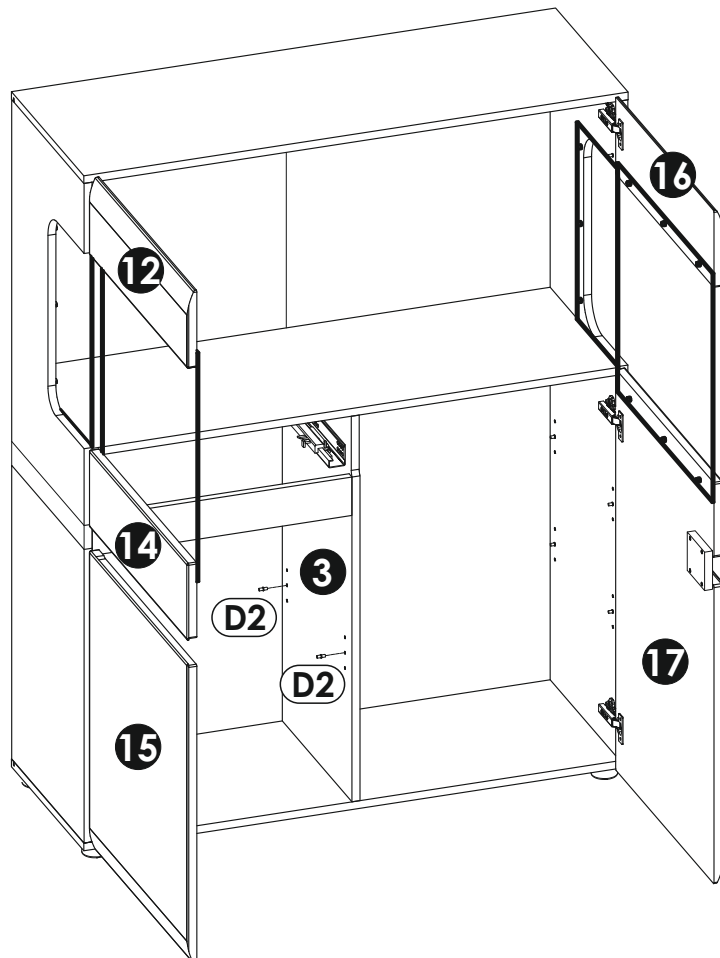
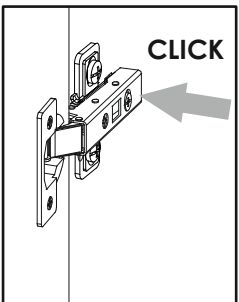
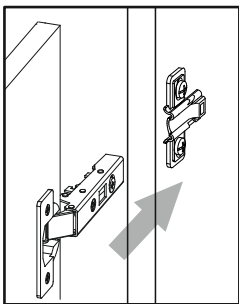
14 ▶



15 ▶



16 ▶



17 ▶

