
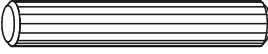
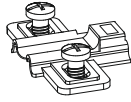
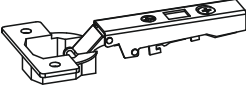


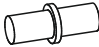
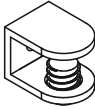




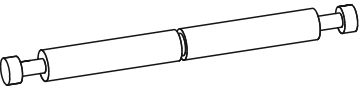

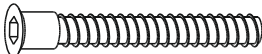



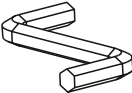

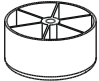

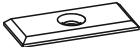

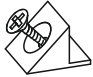
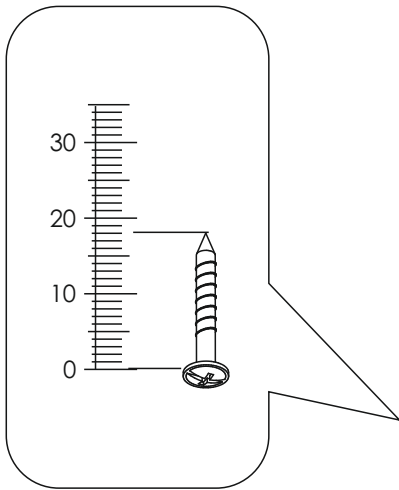
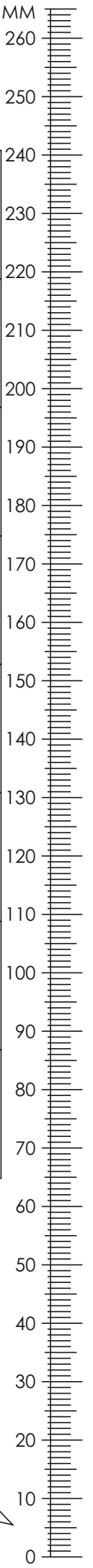
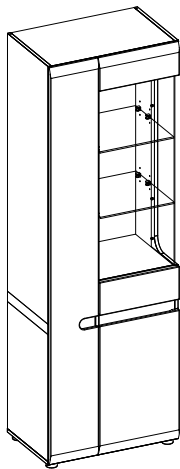
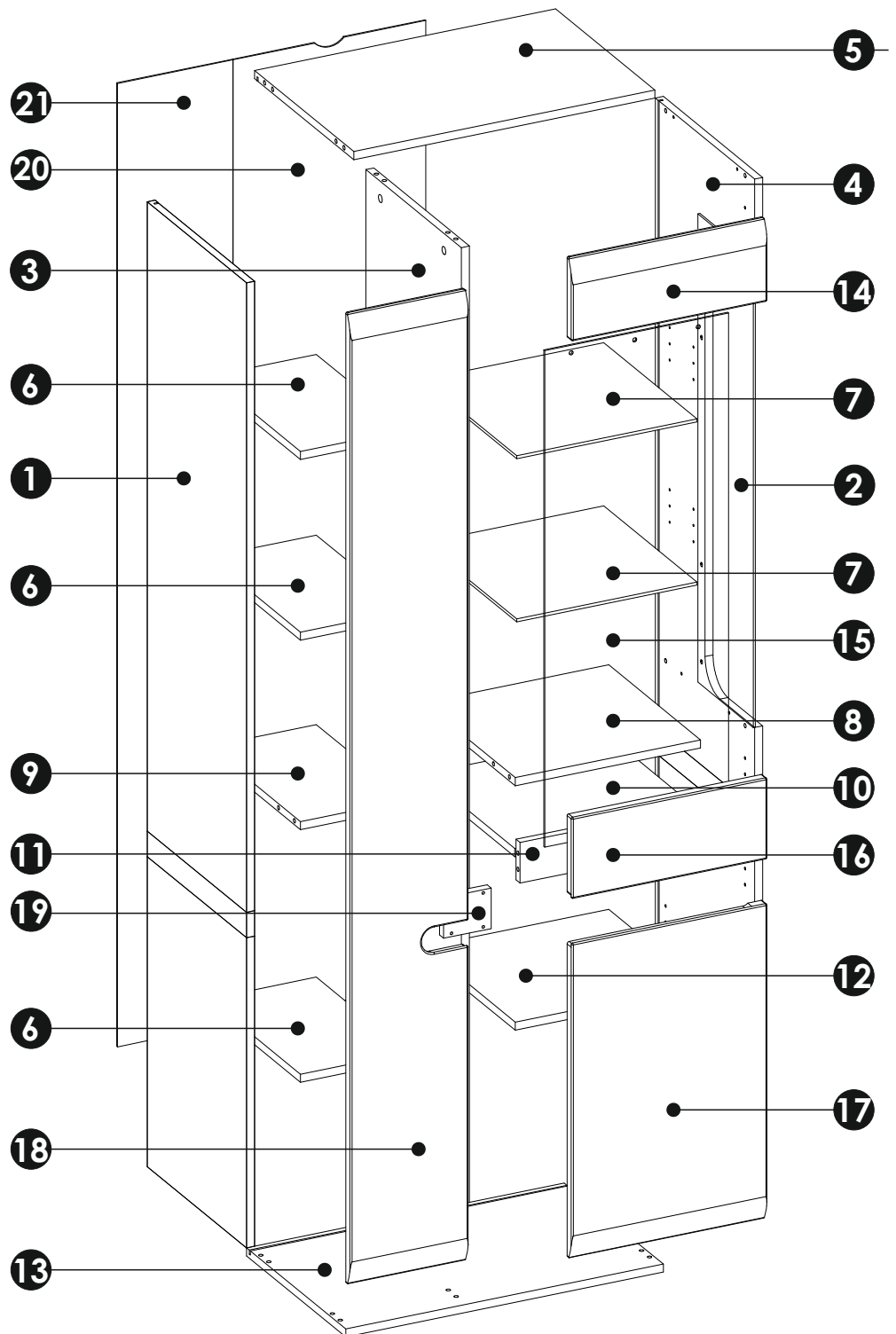


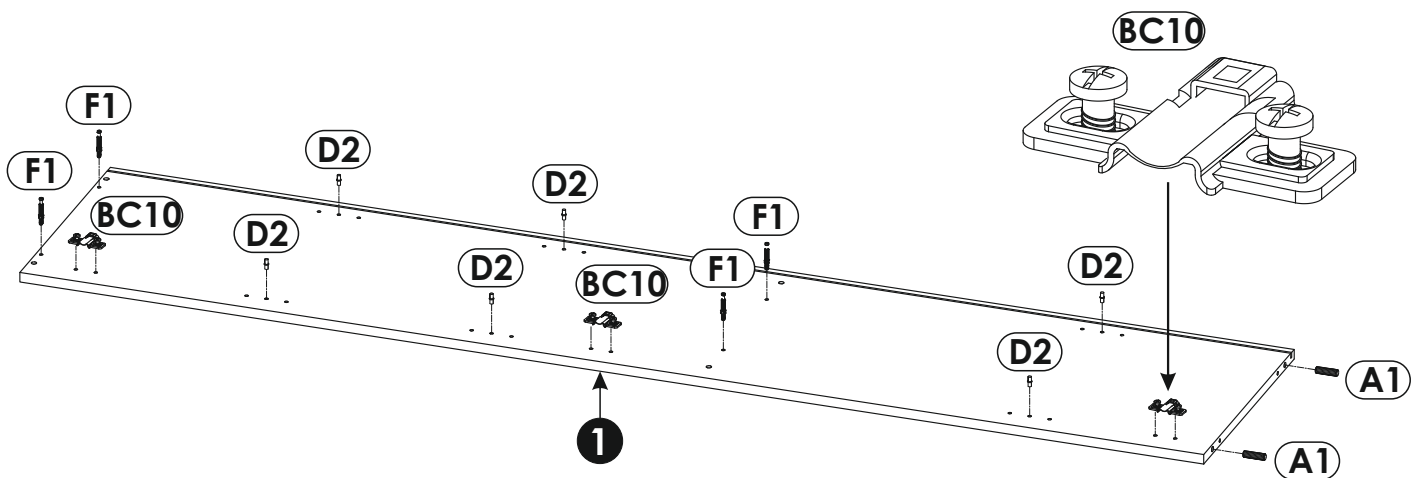
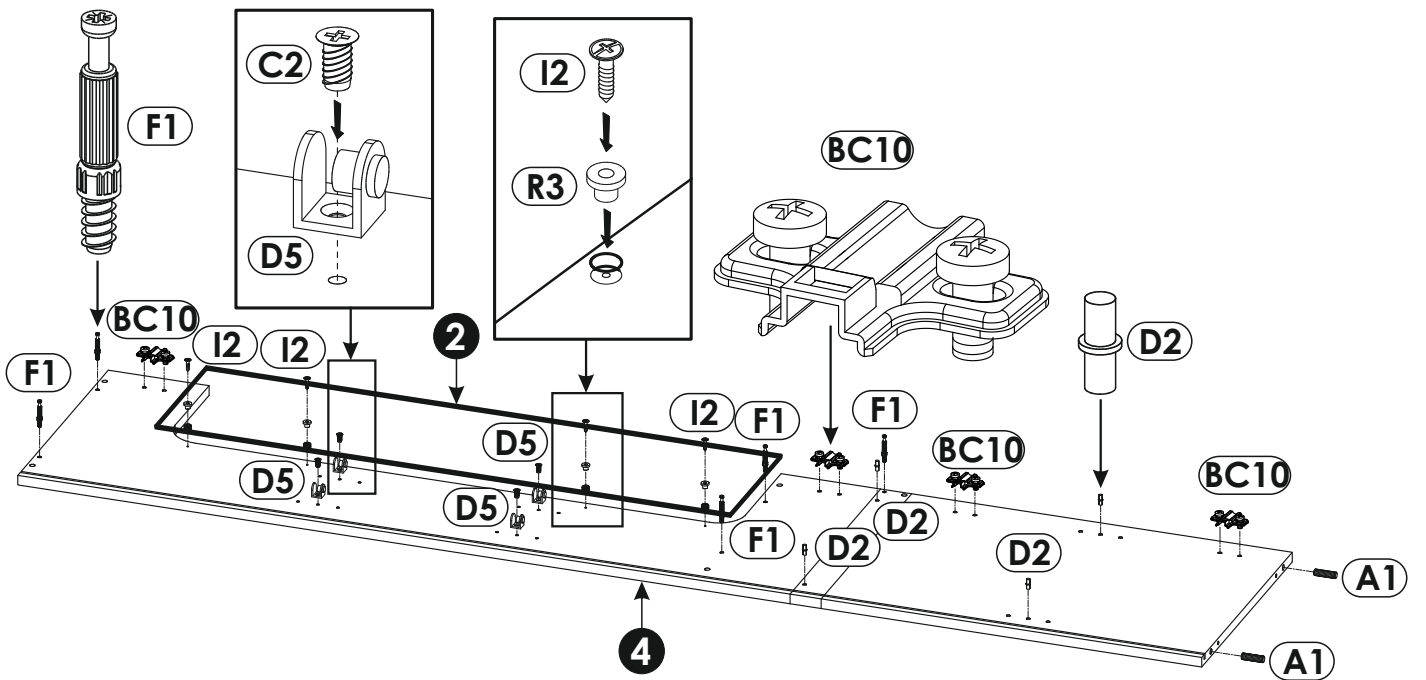
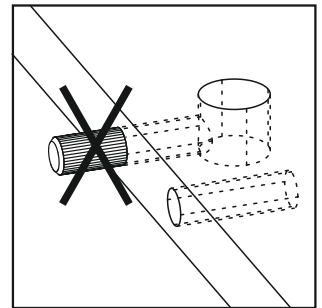
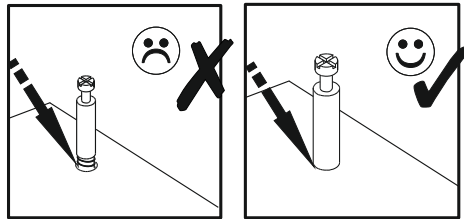
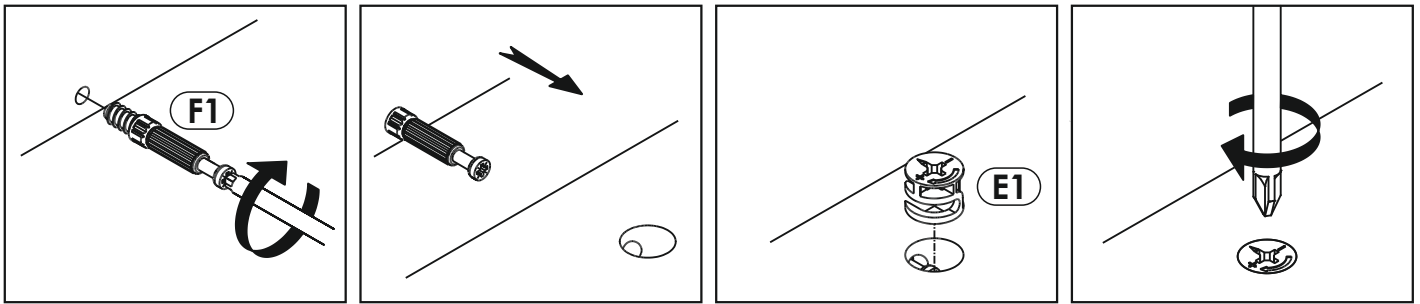
A1 x18 $\phi 8 \times 35$ mm 	A3 x2 $\phi 8 \times 60$ mm 	BC10 x7 
BC11 x7 	C1 x14 4 x 13 mm 	C2 x8 5 x 13 mm 
D2 x20 	D5 x8 	E0a x4 
E0b x12 	E1 x16 	F1 x12 
F4 x2 $\phi 7 \times 76$ mm 	G0 x6 	G1 x6 $\phi 7 \times 50$ mm 
I2 x11 4 x 16 mm 	I10 x5 3,5 x 22 mm 	J6 x4 4 x 30 mm 
M x1 	N1 x20 3 x 16 mm 	O15 x5 $\phi 50 \times 25$ mm 
Q9 x1 	R1 x12 	R3 x10 
R4 x12 		



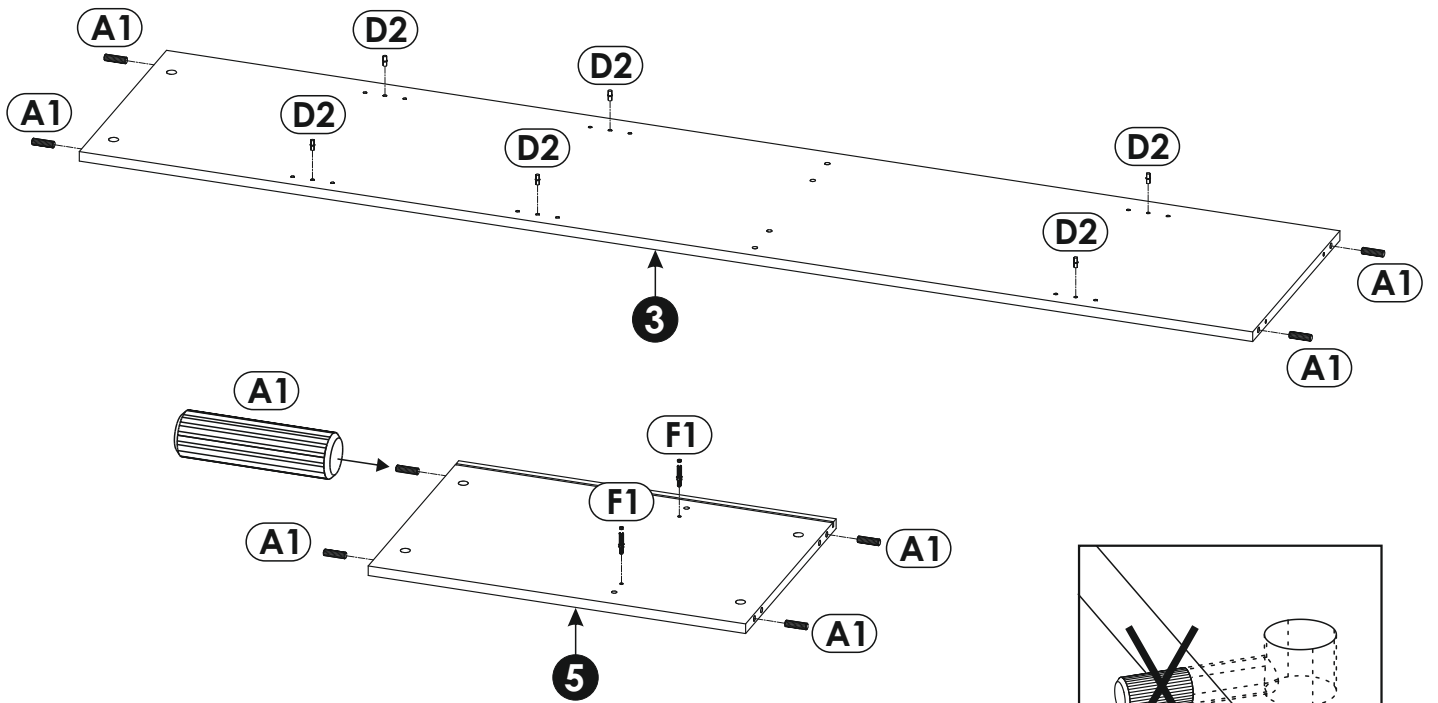


1	1904	400	16	x1	2/2
2	924	224	4	x1	2/2
3	1887	385	16	x1	2/2
4	1904	400	16	x1	2/2
5	607	400	16	x1	1/2
6	217	370	16	x3	1/2
7	376	363	6	x2	1/2
8	373	370	16	x1	1/2
9	217	370	16	x1	1/2
10	373	368	16	x1	1/2
11	373	80	16	x1	1/2
12	373	370	16	x1	1/2
13	640	400	16	x1	1/2
14	394	160	19	x1	1/2
15	980	370	4	x1	2/2
16	394	160	19	x1	1/2
17	394	626	19	x1	1/2
18	238	1916	19	x1	2/2
19	96	80	16	x1	1/2
20	1901	388	3	x1	2/2
21	1901	233	3	x1	2/2

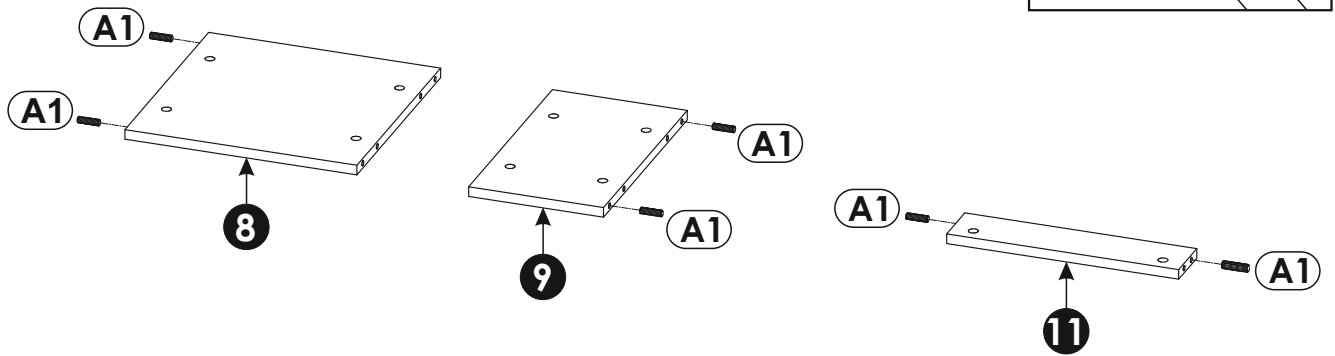




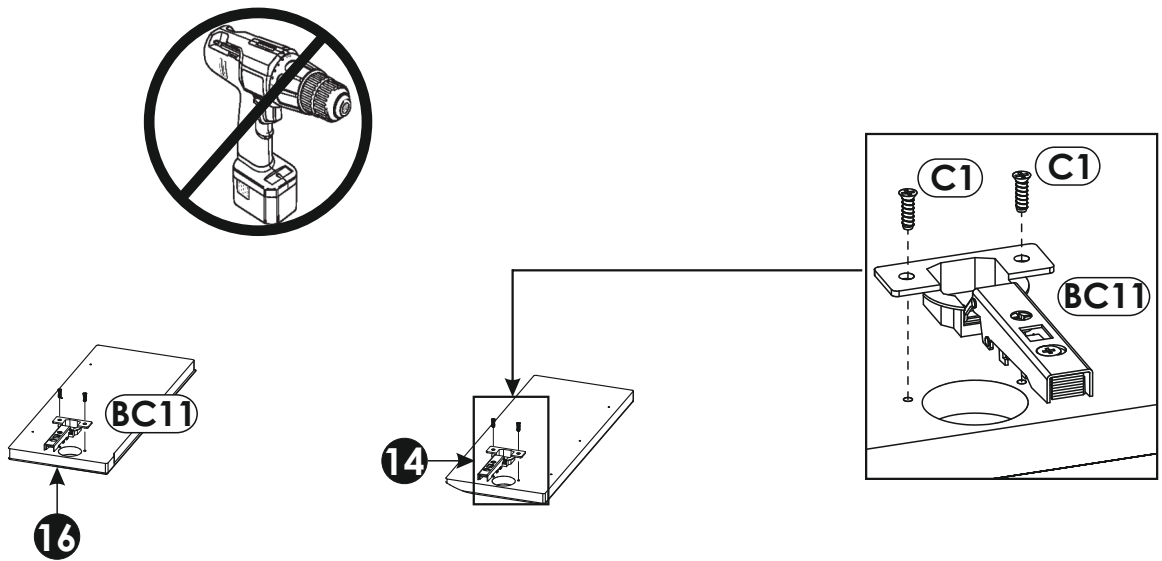
2 ▶



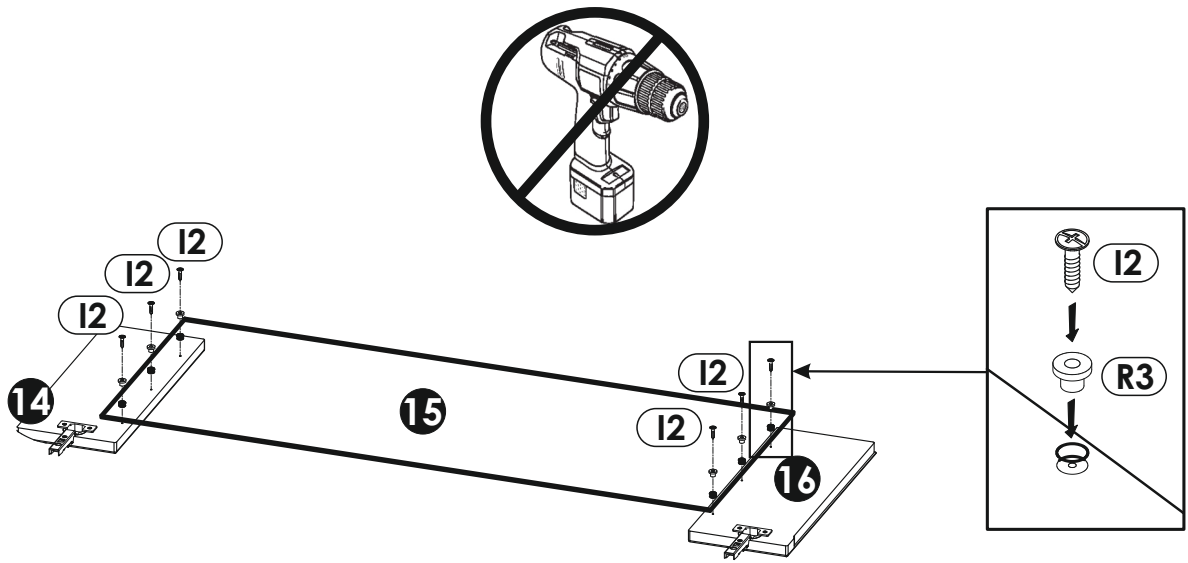
3 ▶



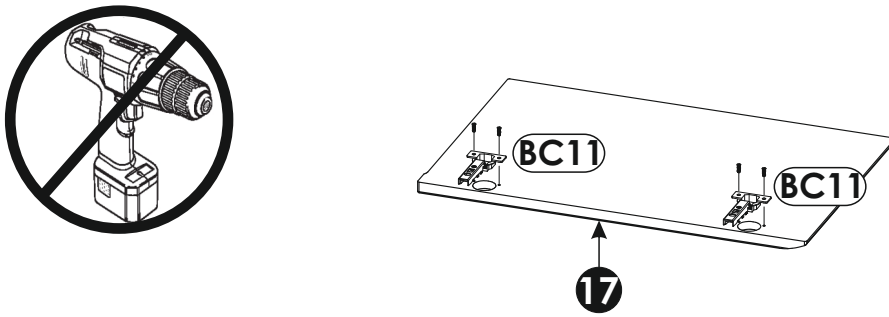
4 ▶



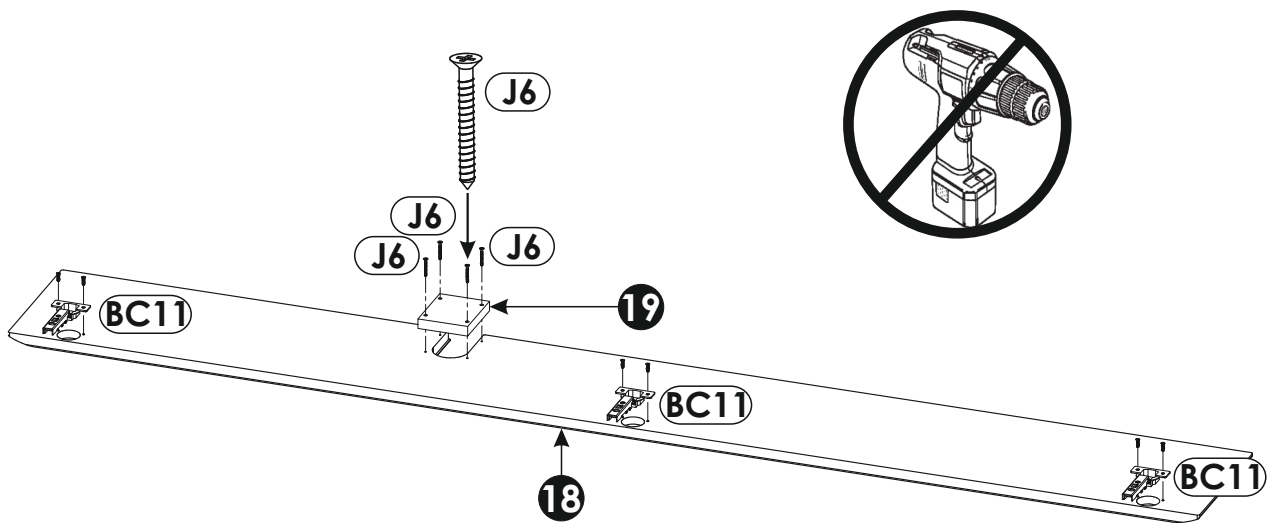
5 ▶



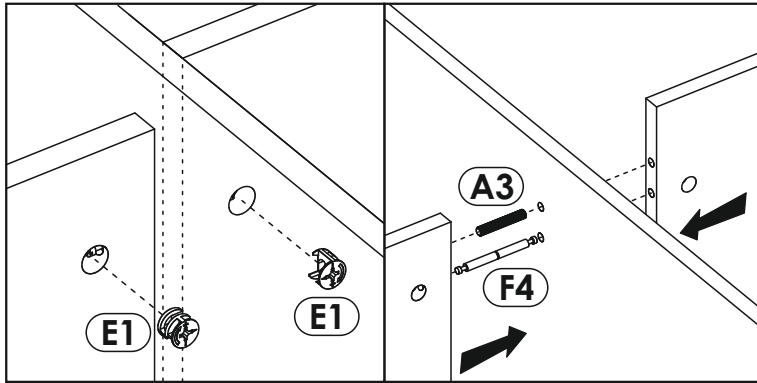
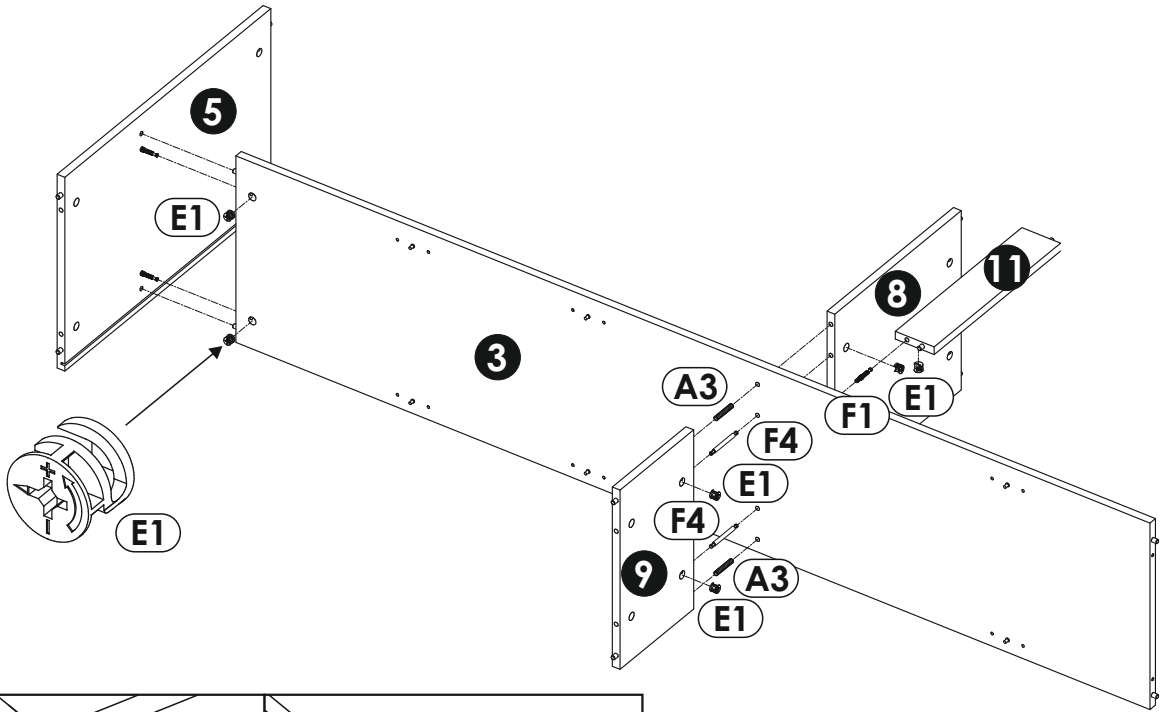
6 ▶



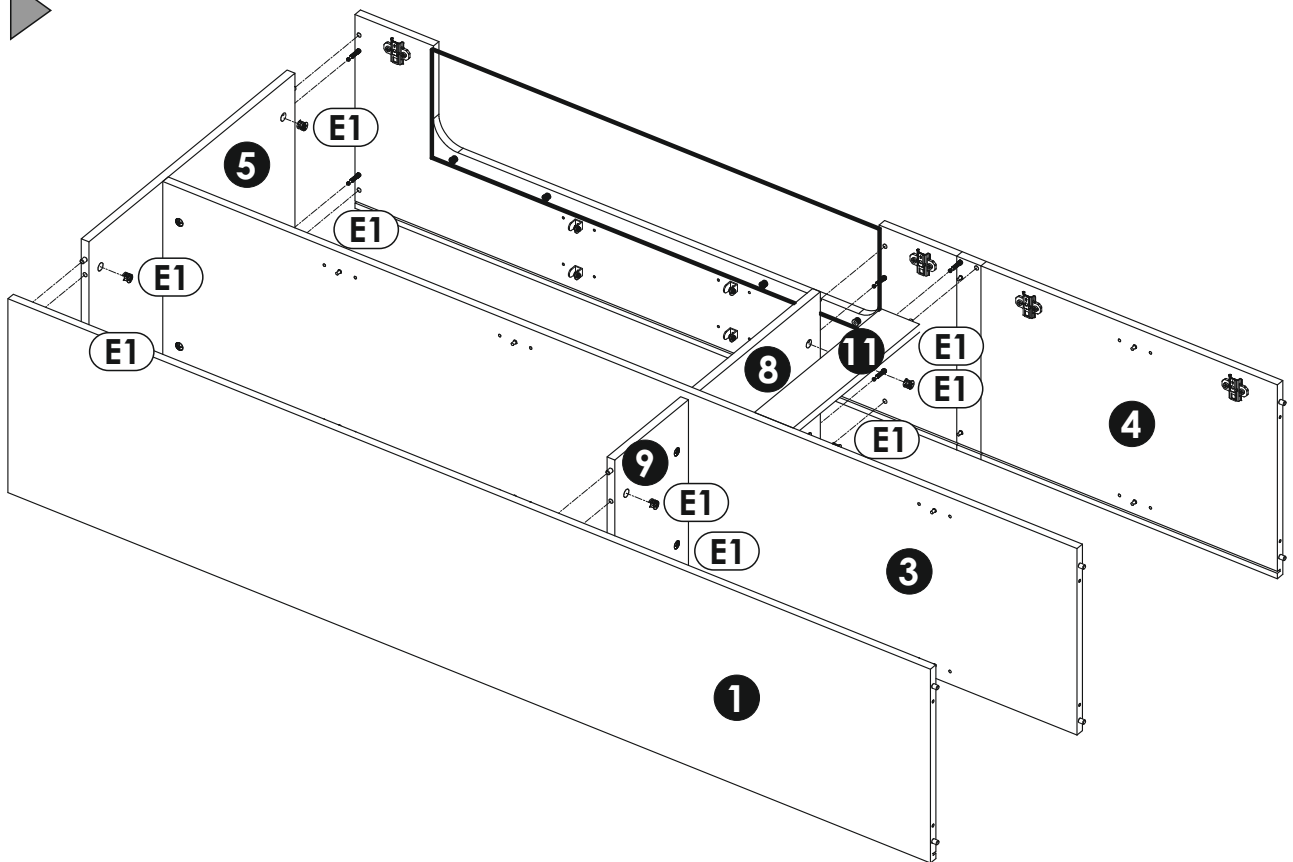
7 ▶



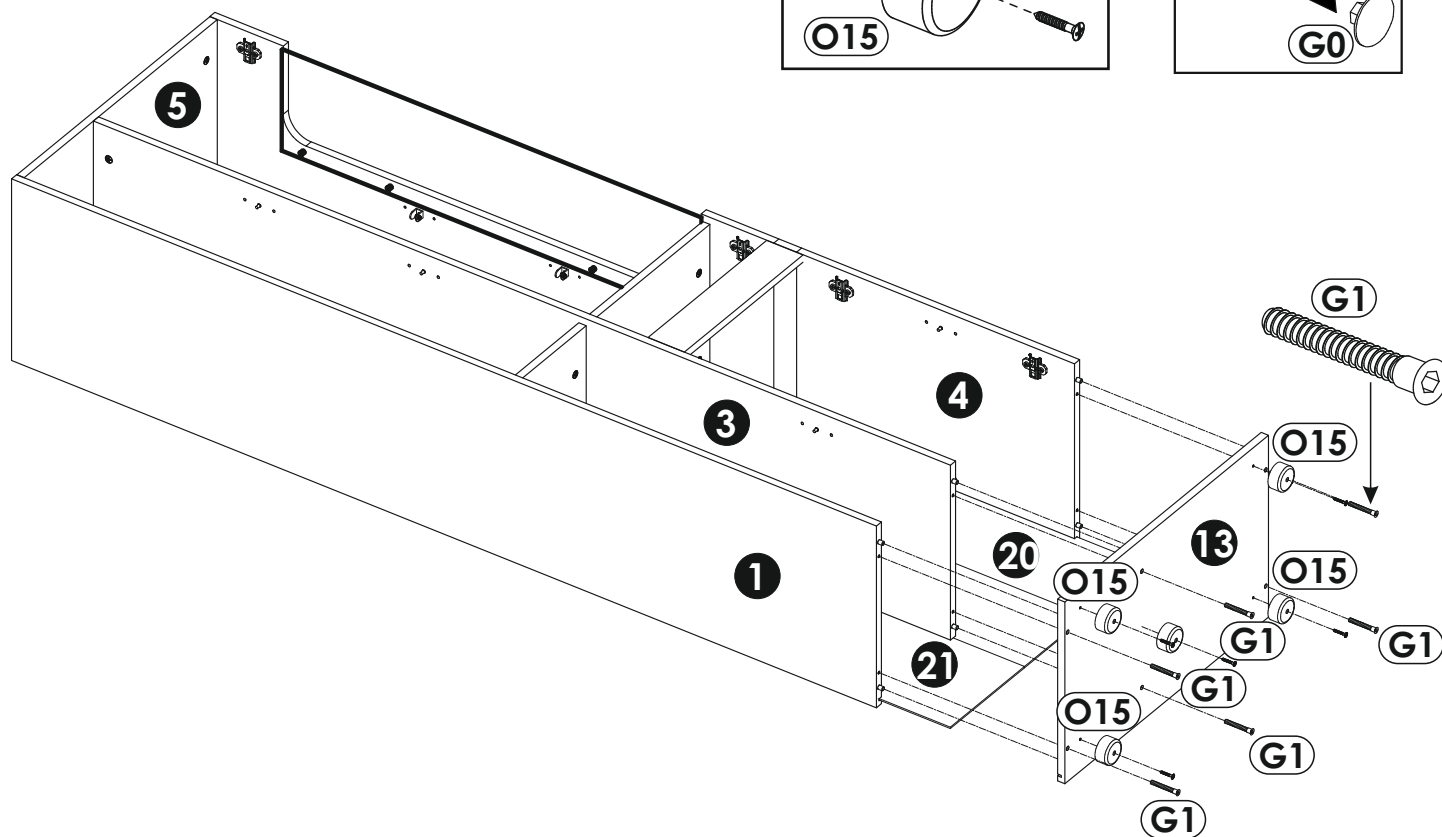
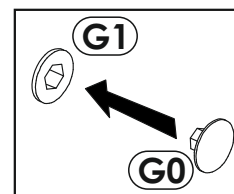
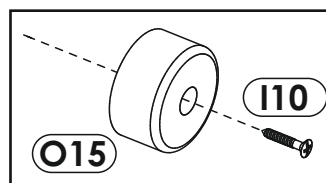
8 ▶



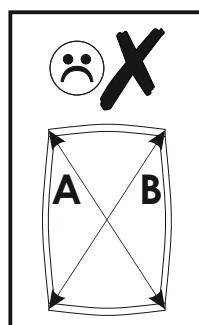
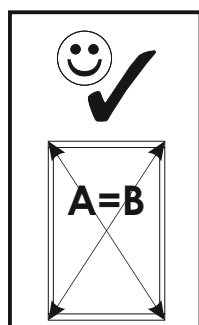
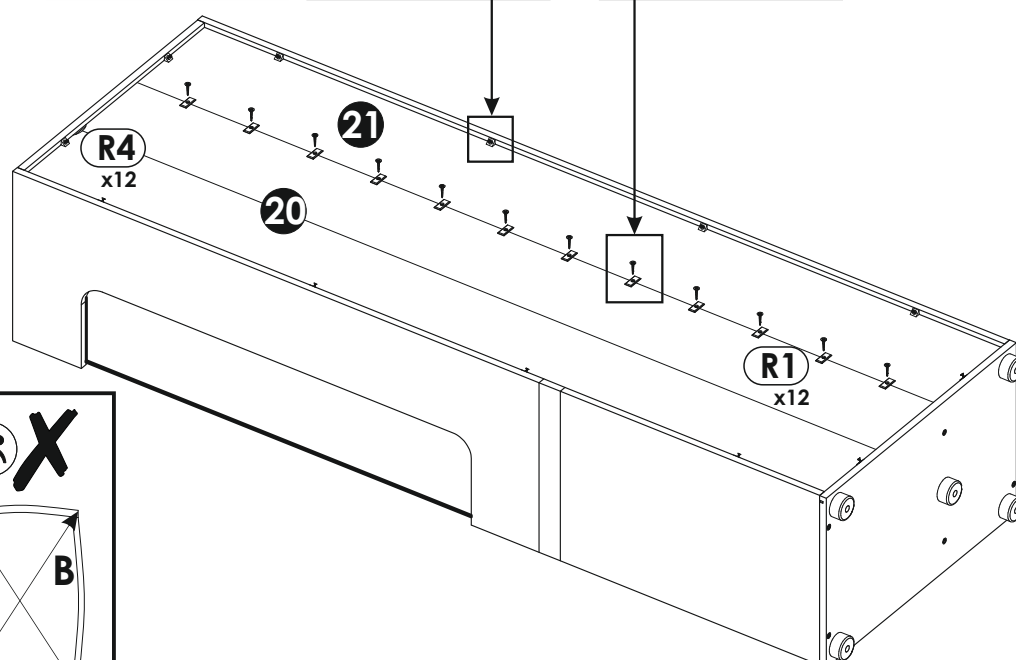
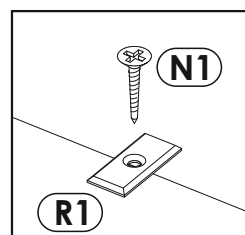
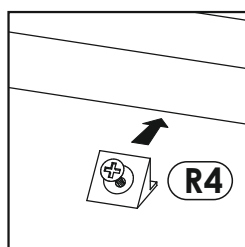
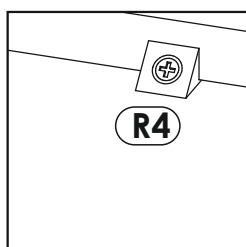
9 ▶



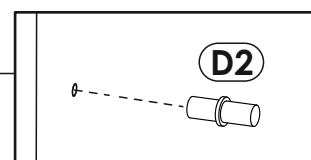
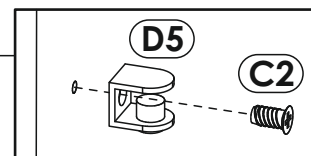
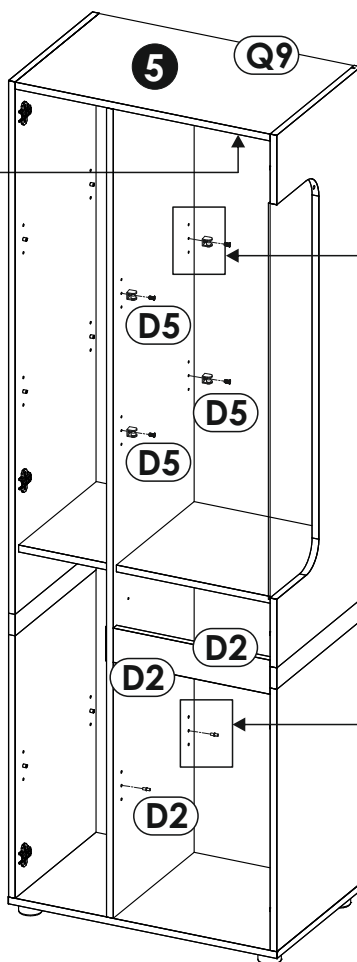
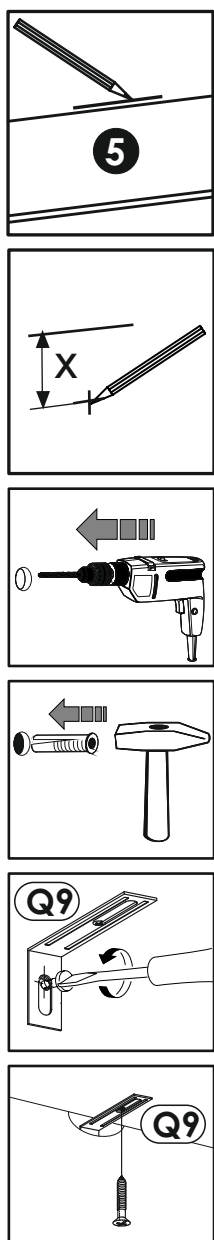
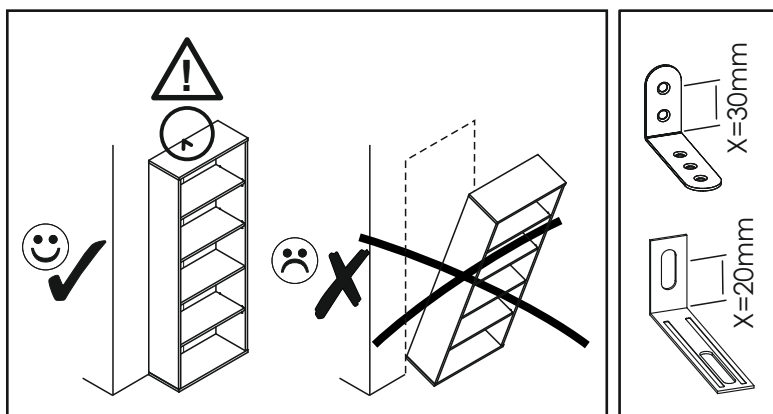
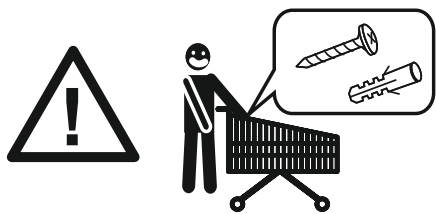
10 ▶



11 ▶



12▶



13 ▶

