

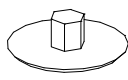

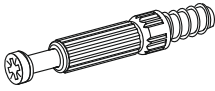
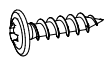
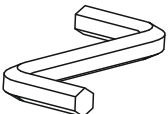


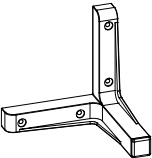
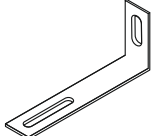
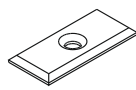
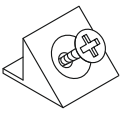
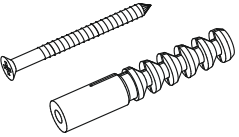
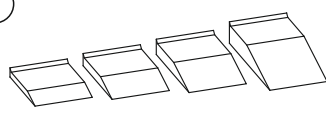
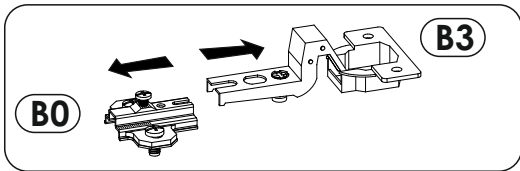
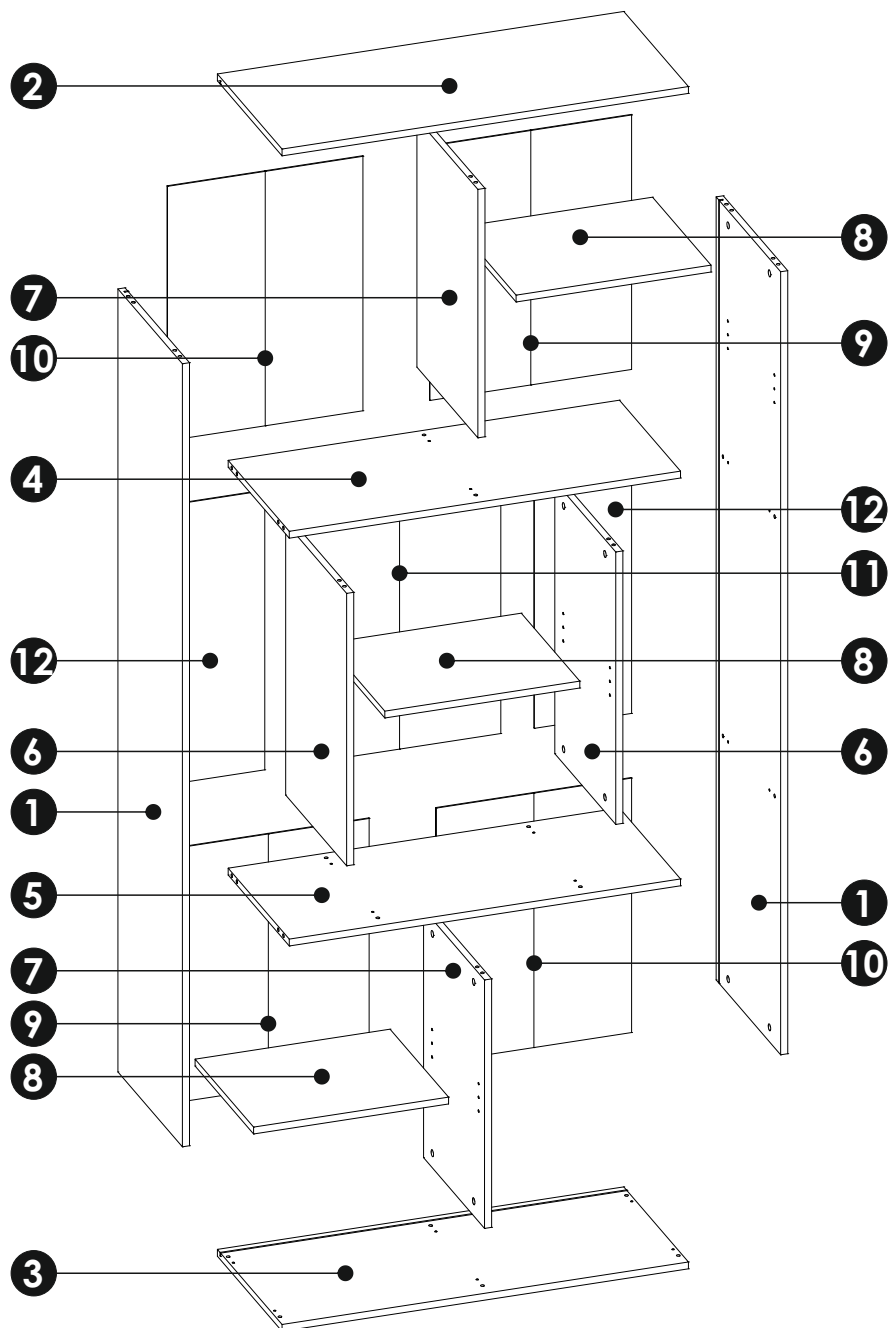
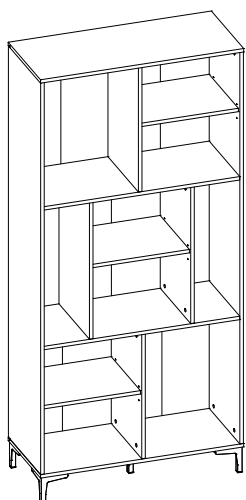


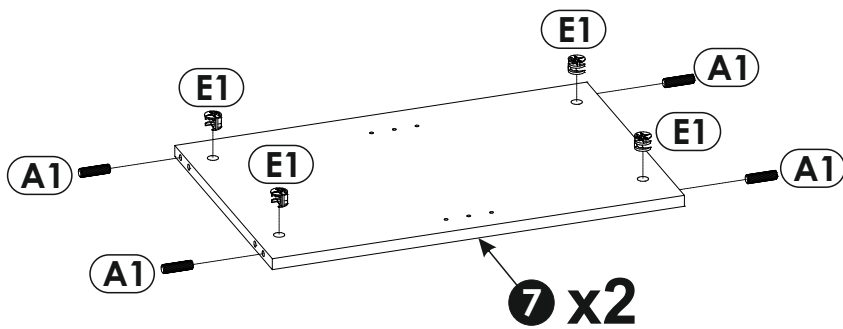
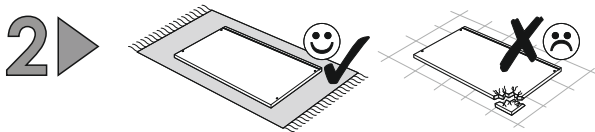
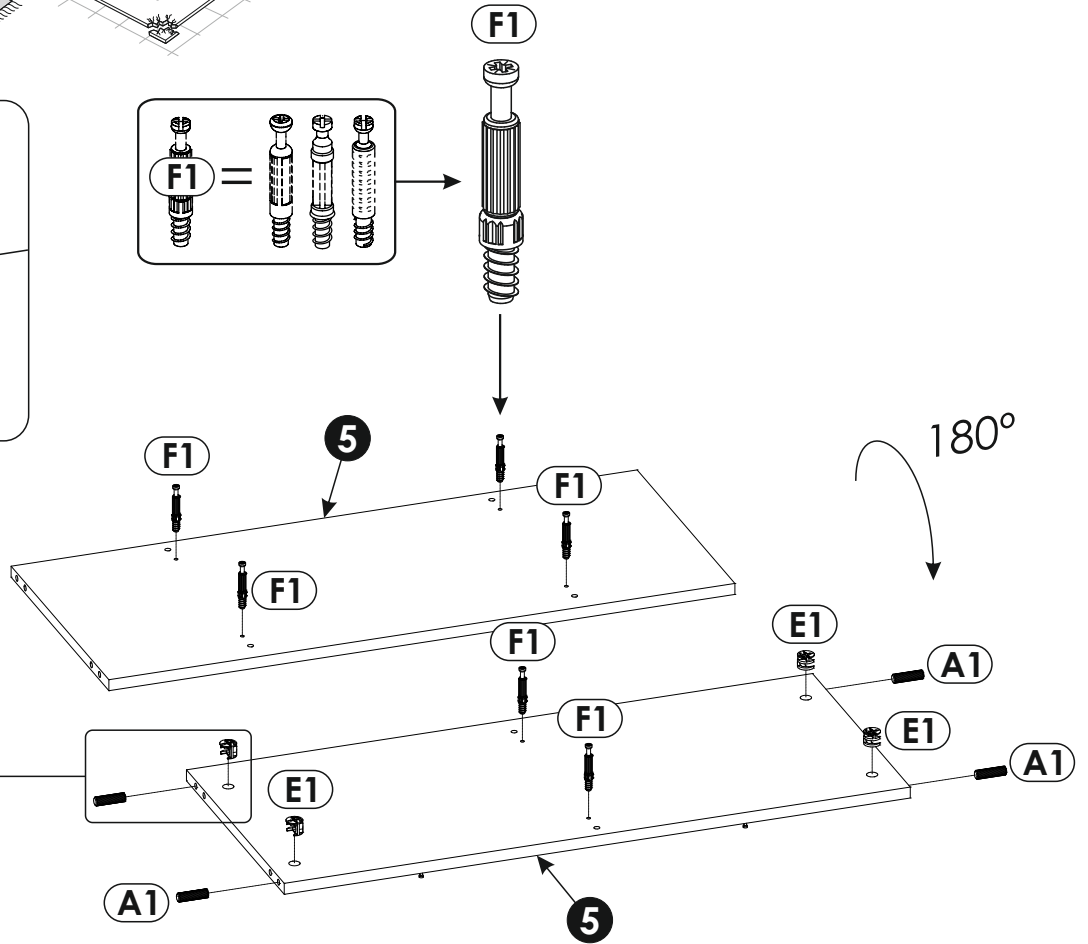
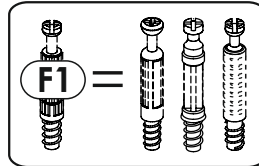
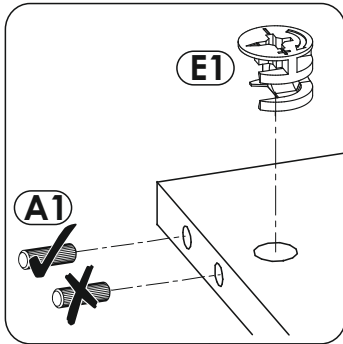
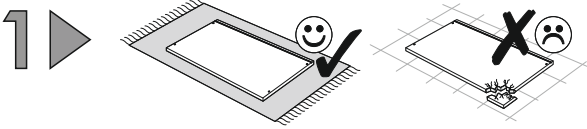
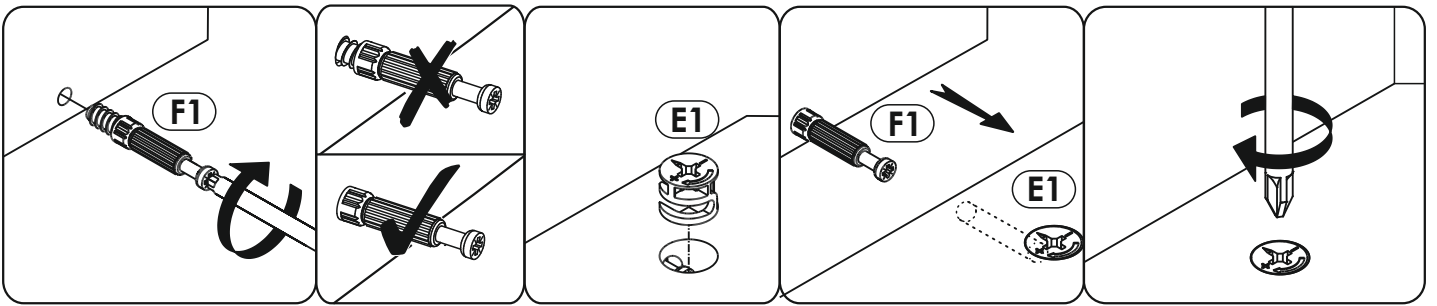
A1 8 x 35 mm x32 	D6 x12 	E0 Ø16 x32 
E1 15 x 12 mm x32 	F1 6 x 34 mm x32 	I2 4 x 16 mm x2 
M x1 	N1 3 x 16 mm x30 	N7 3,5 x 30 mm x20 
O12 x5 	Q9 x2 	R1 x28 
R4 x12 	S13 x2  Ø8	Z x1 

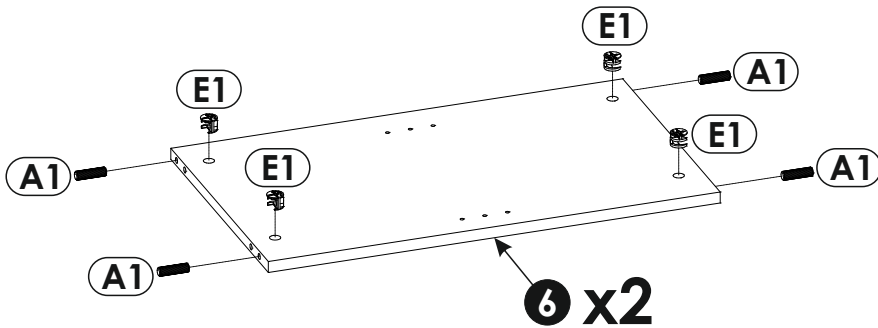
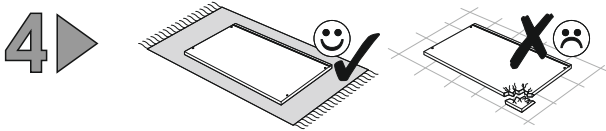
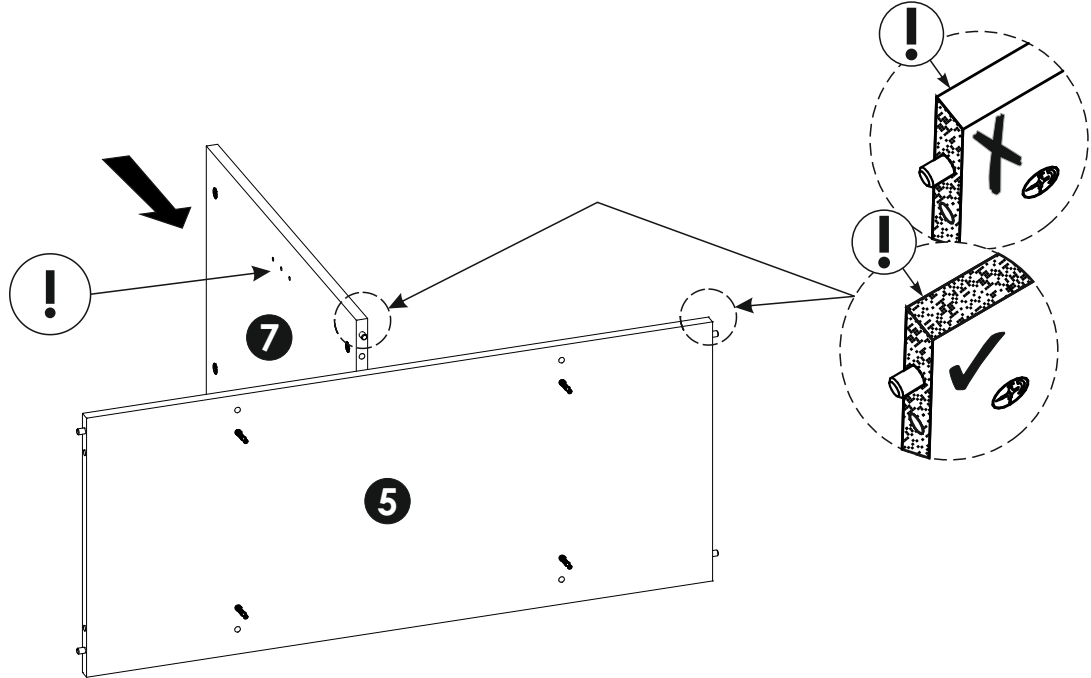
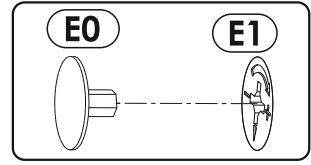
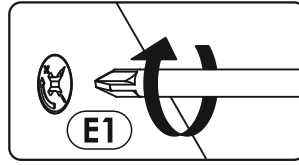
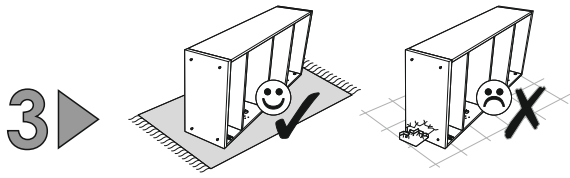


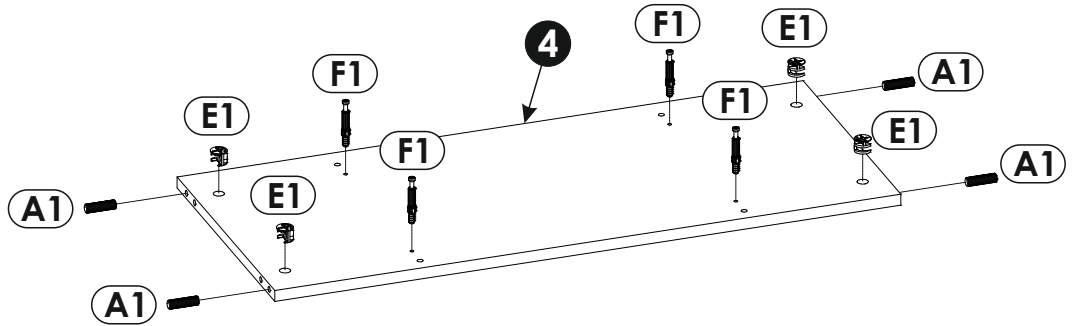
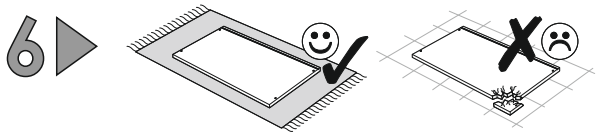
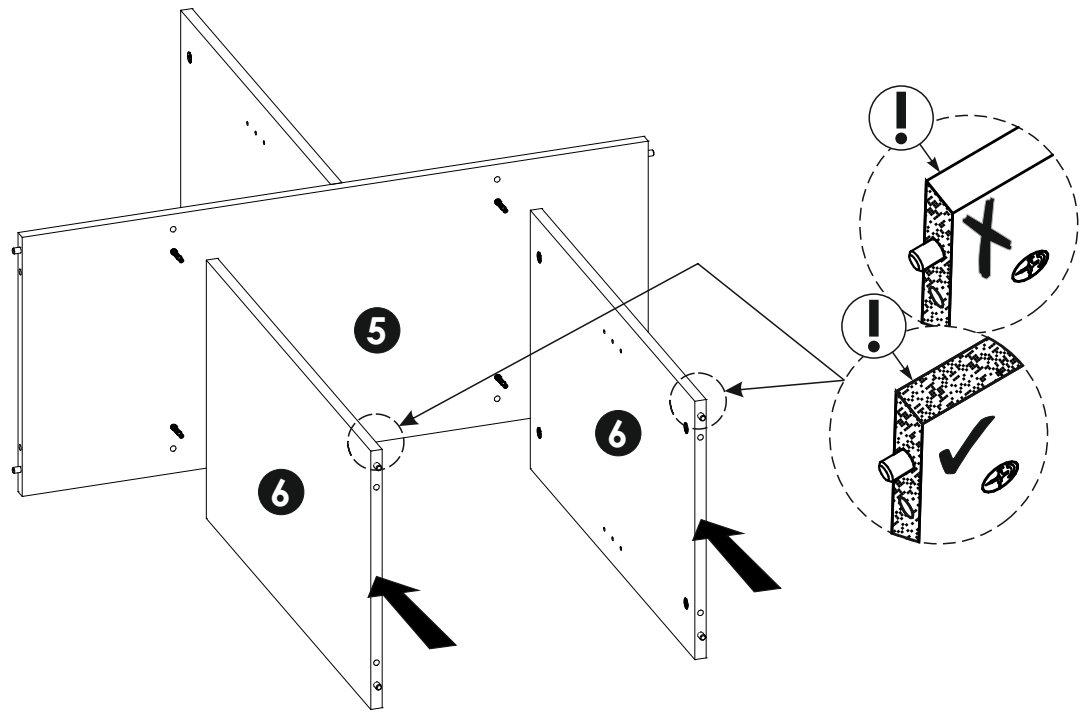
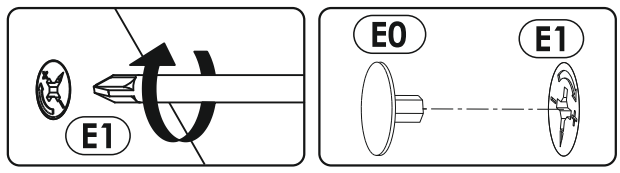
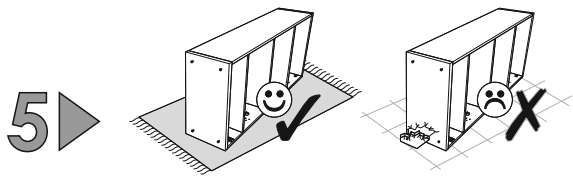


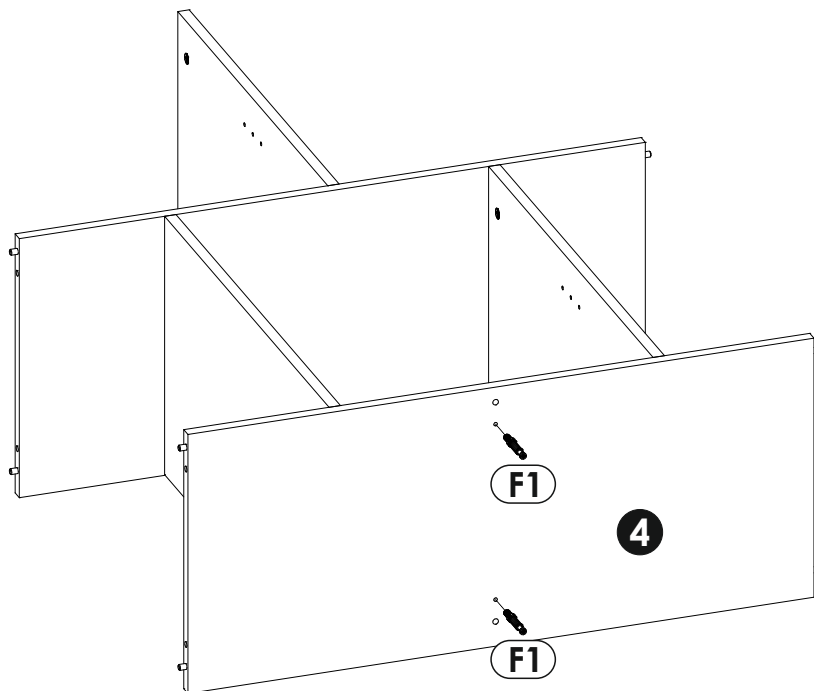
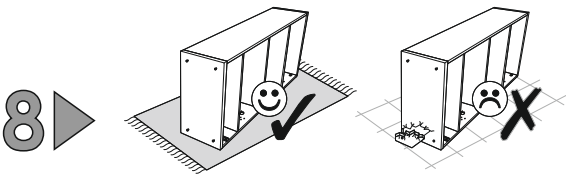
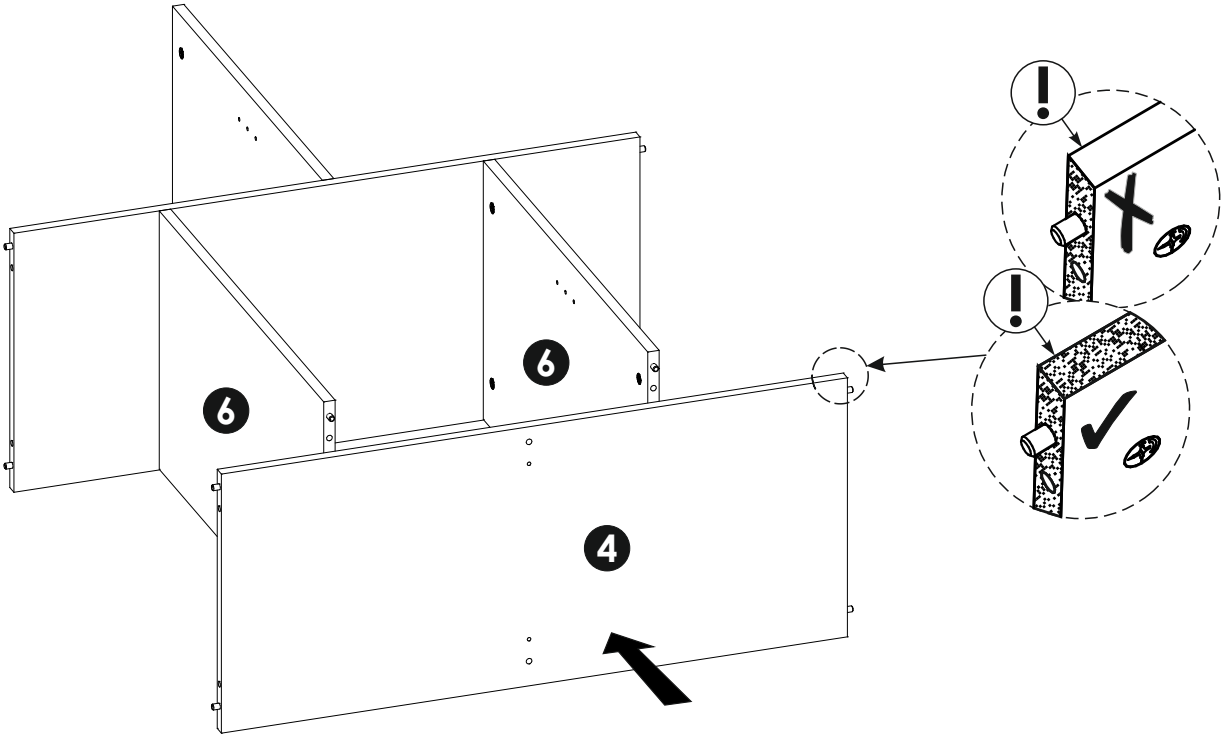
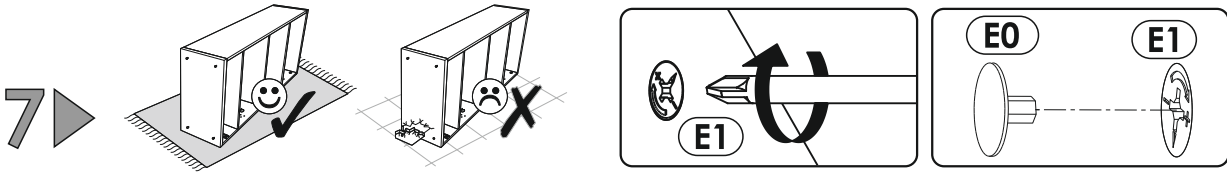
1	1828	399	16	x2	2/2
2	915	400	16	x1	1/2
3	915	400	16	x1	1/2
4	881	378	16	x1	2/2
5	881	378	16	x1	2/2
6	636	377	16	x2	1/2

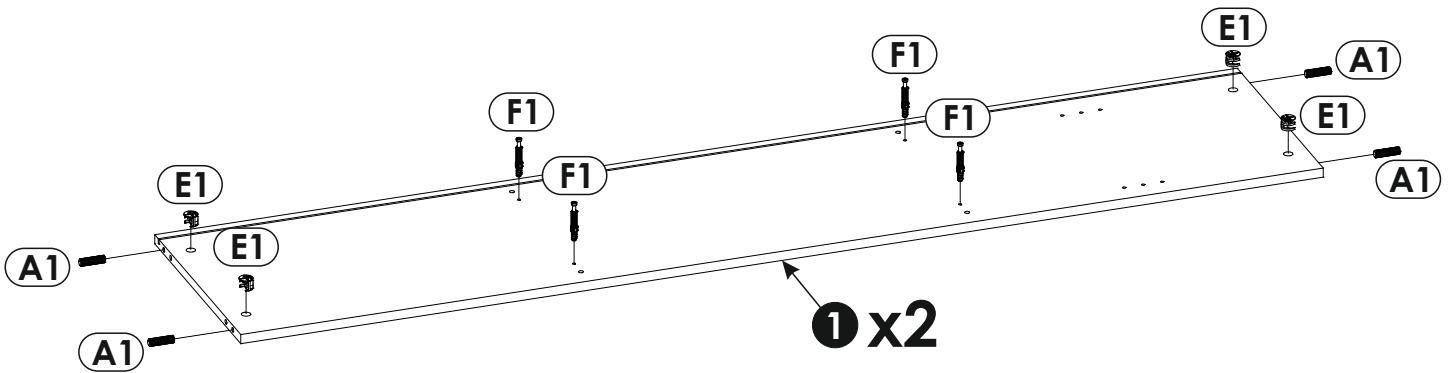
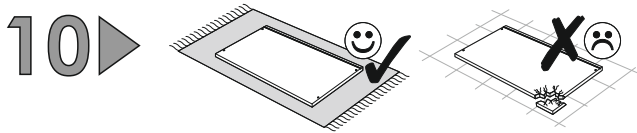
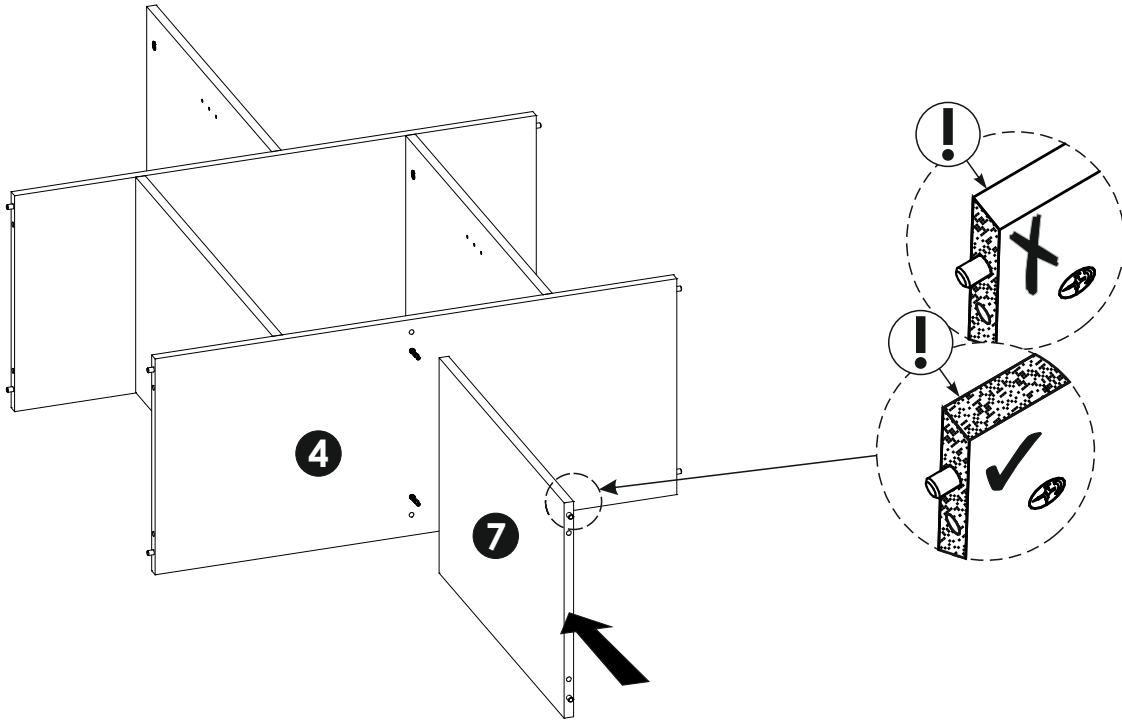
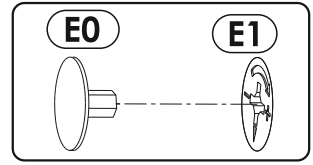
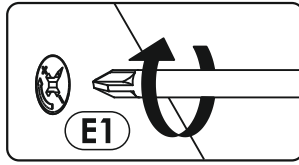
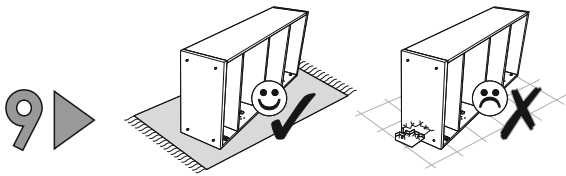
7	580	377	16	x2	1/2
8	439	362	16	x3	2/2
9	594	454	3	x2	1/2
10	594	440	3	x2	1/2
11	652	456	3	x1	1/2
12	652	219	3	x2	1/2



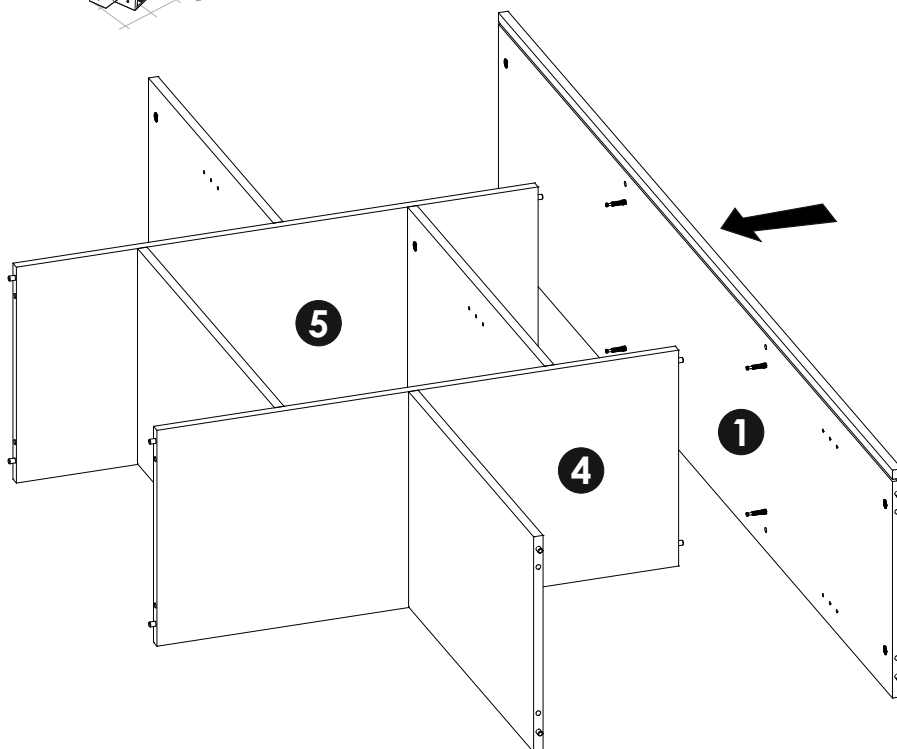
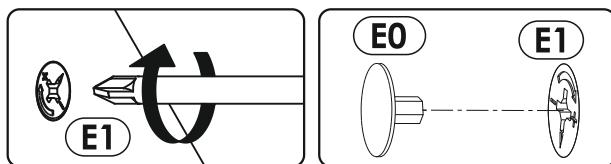
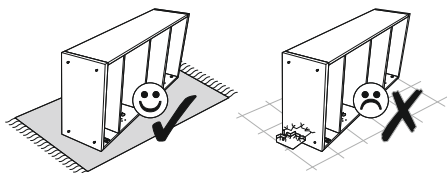




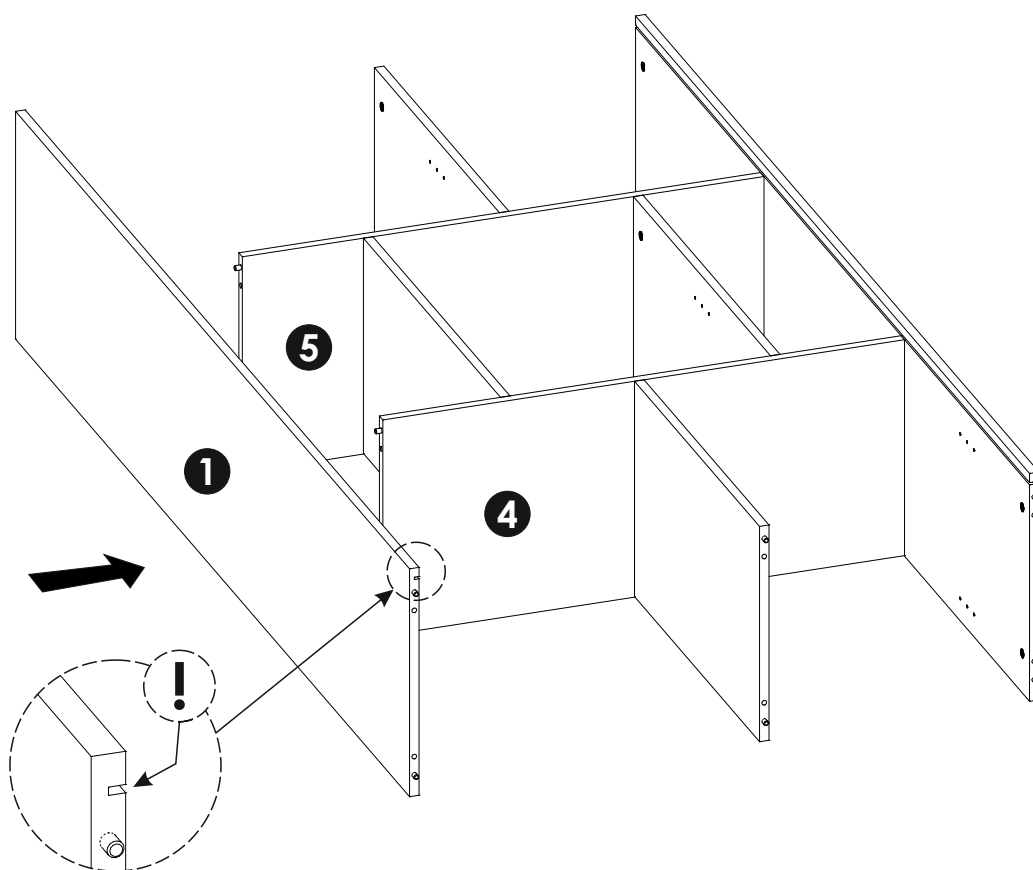
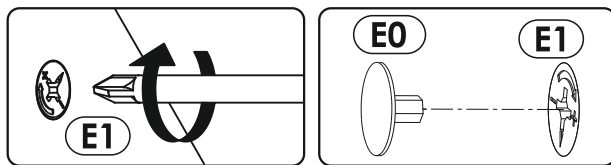
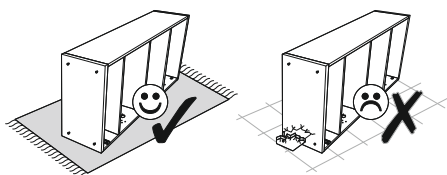




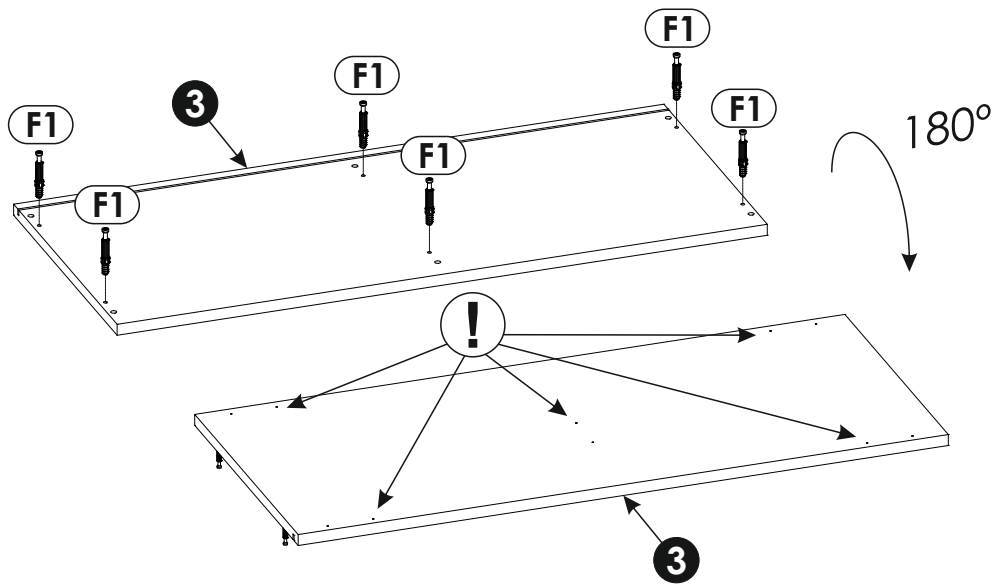
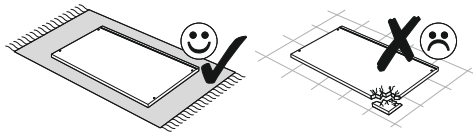
11 ▶



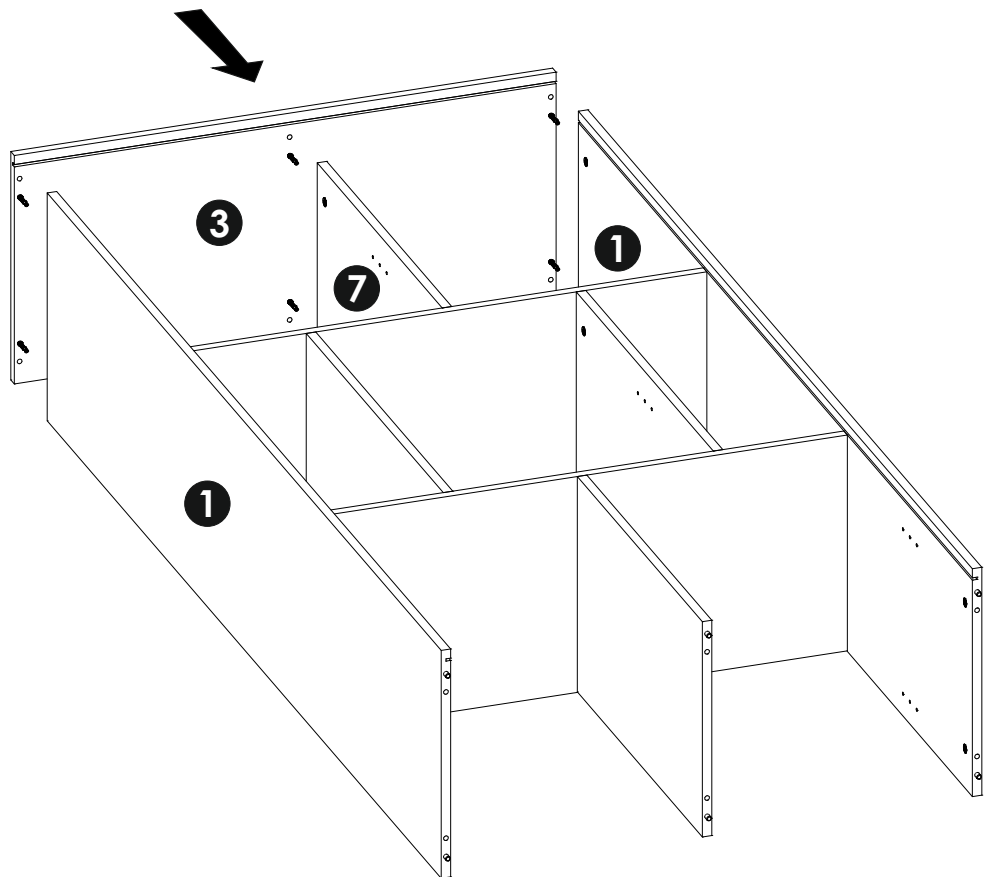
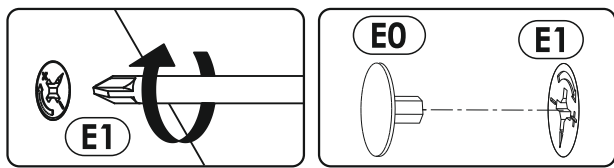
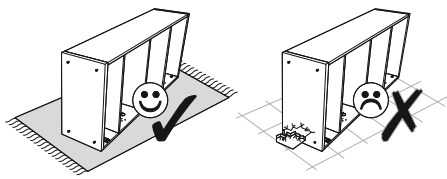
12 ▶



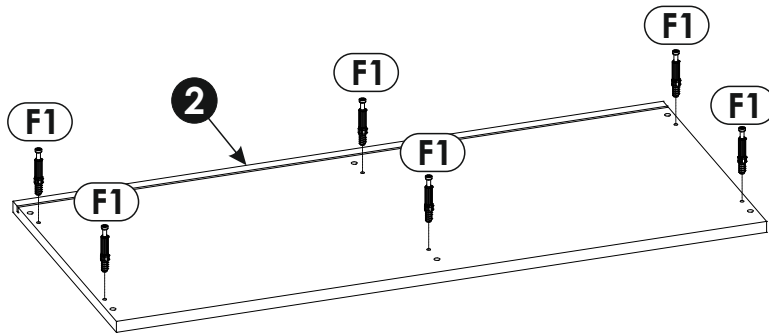
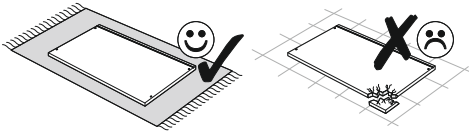
13▶



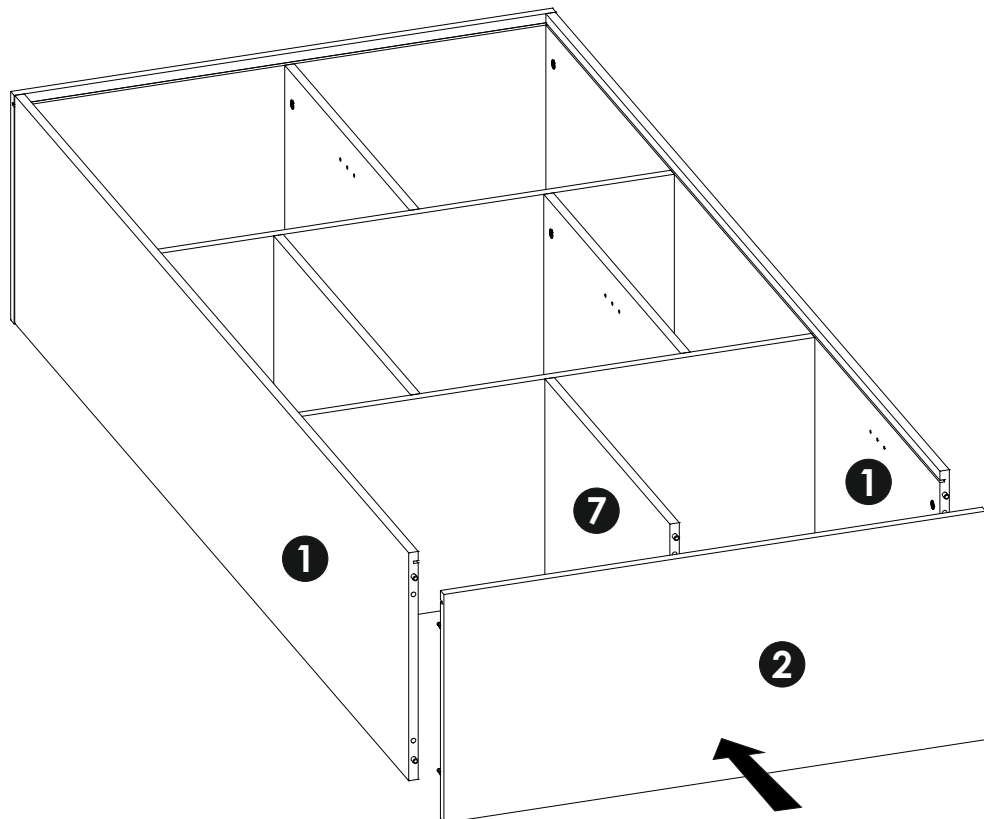
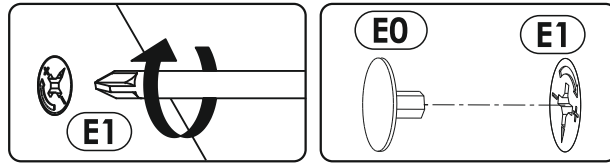
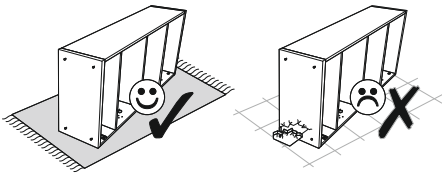
14▶



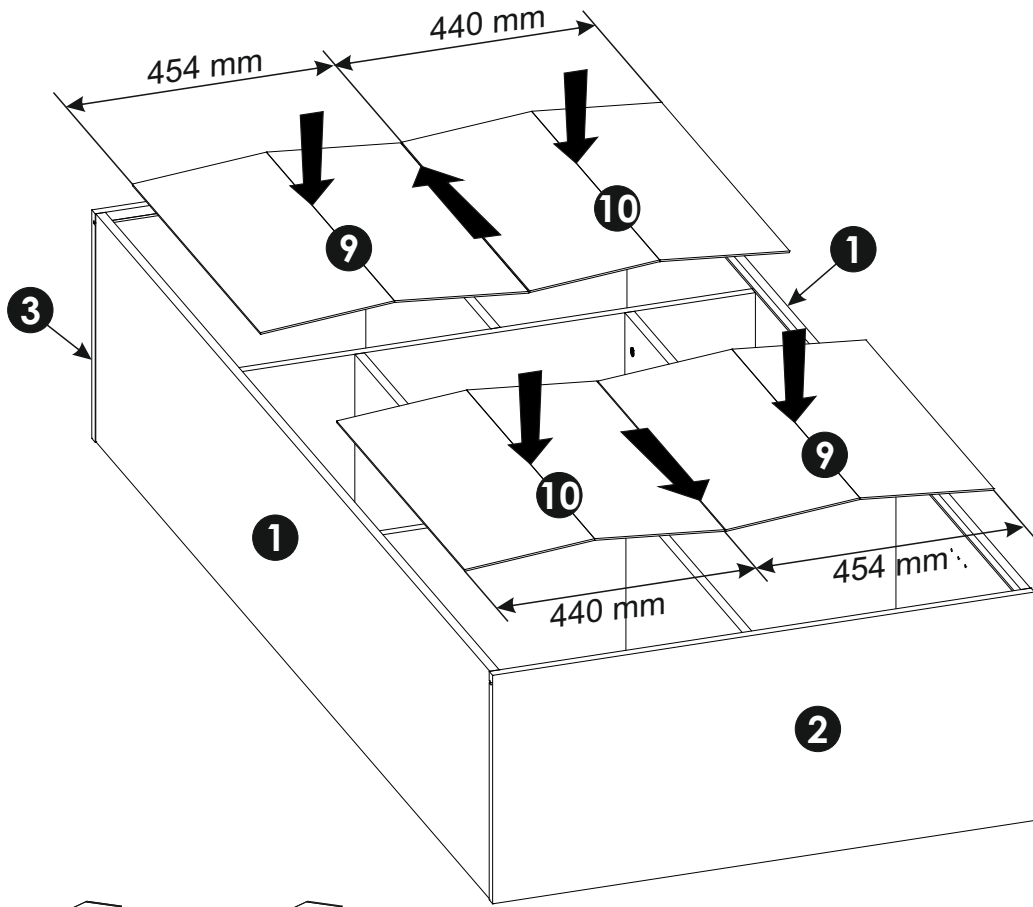
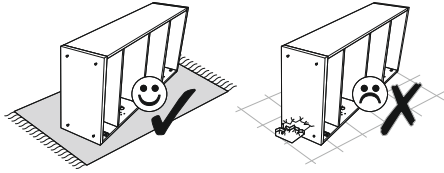
15 ▶



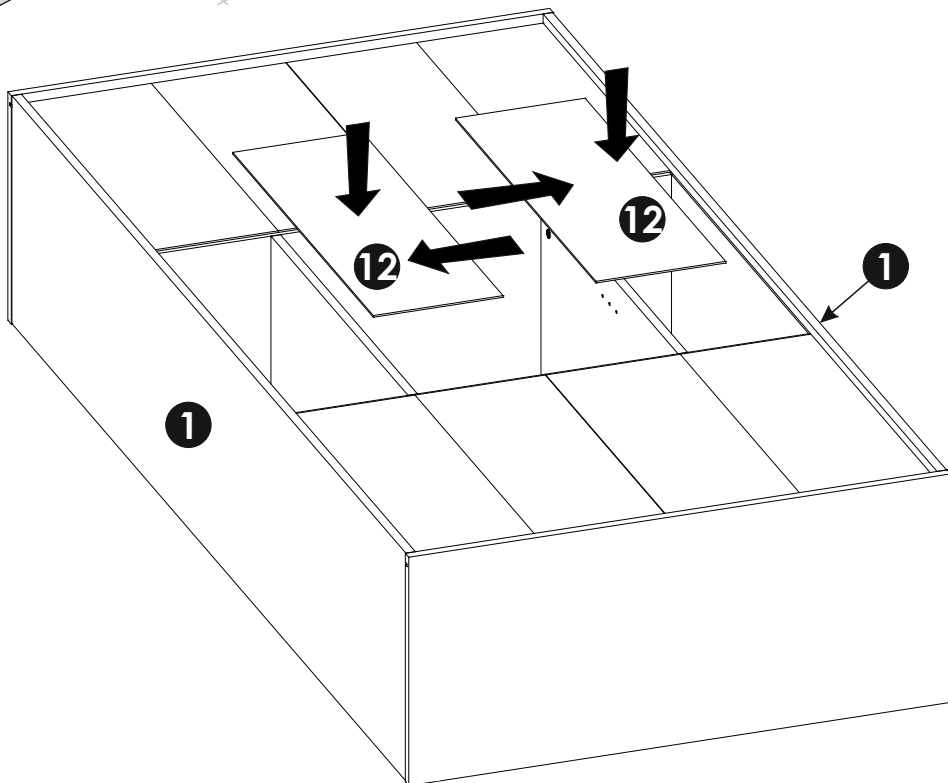
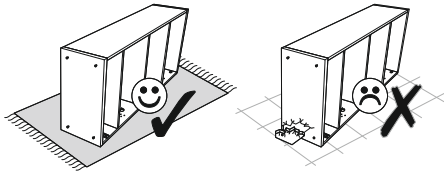
16 ▶



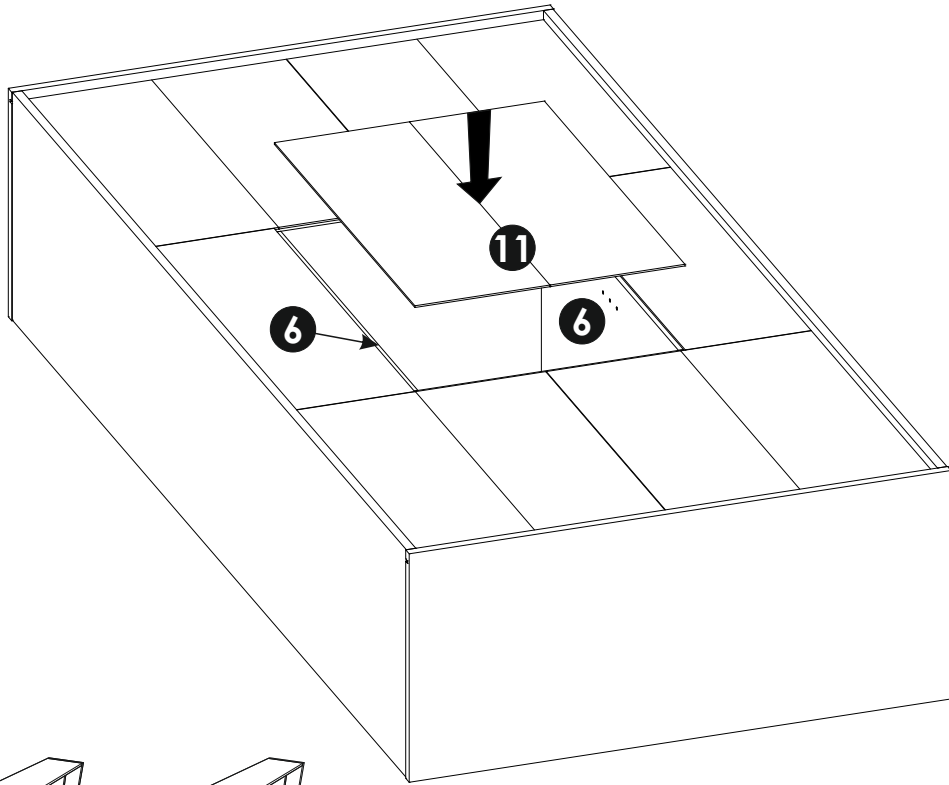
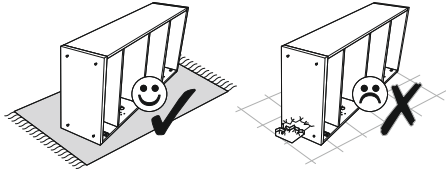
17 ▶



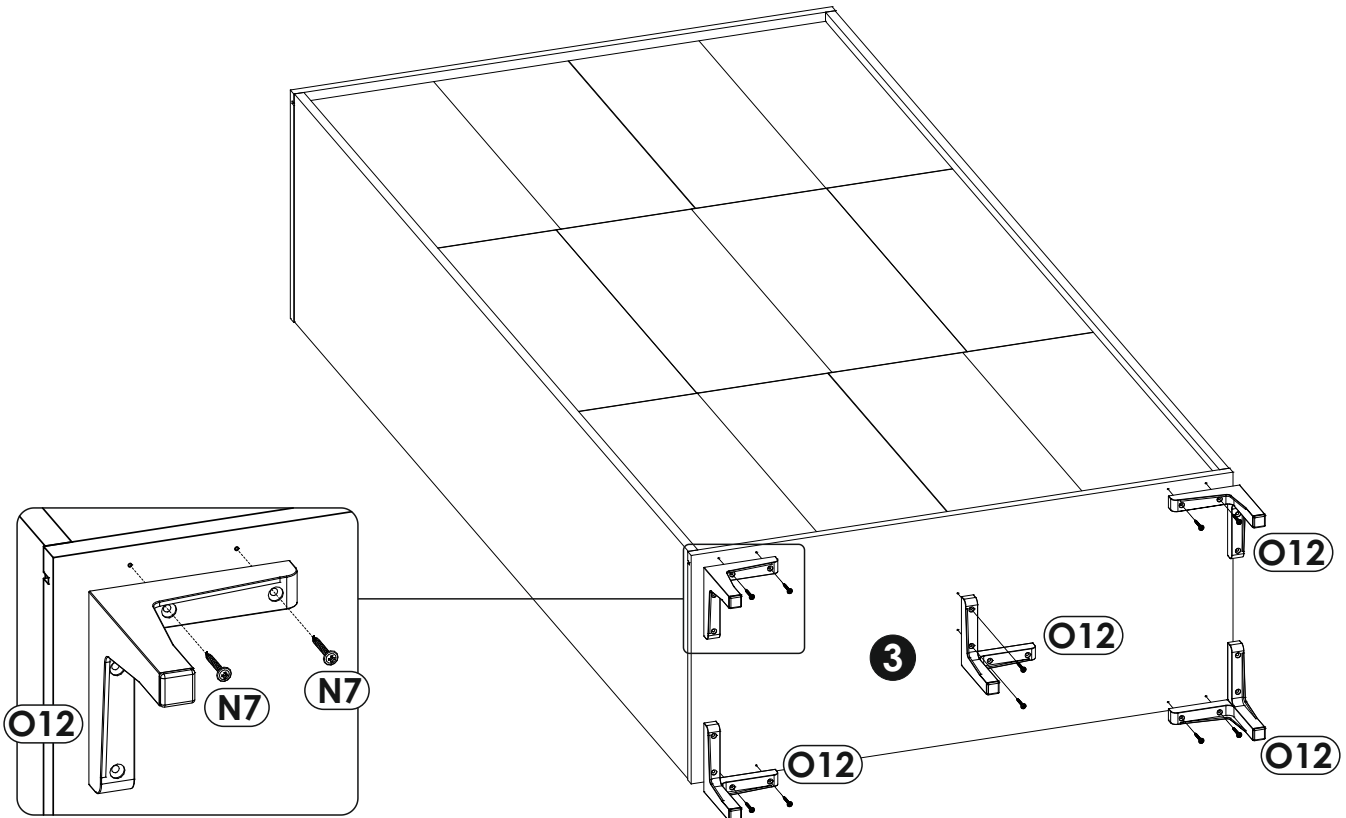
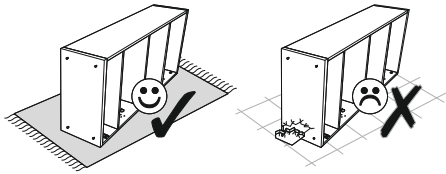
18 ▶



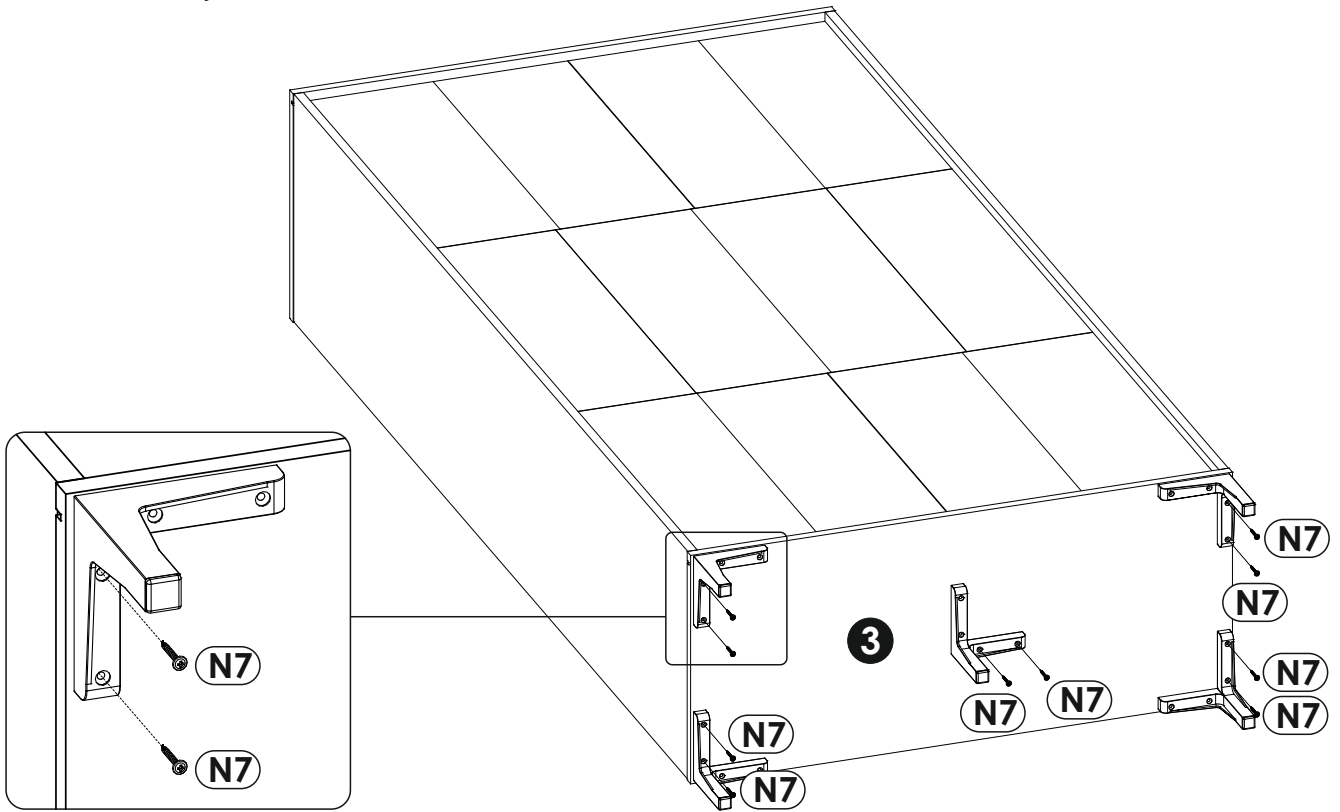
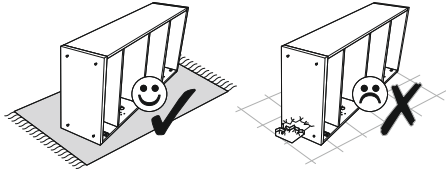
19 ▶



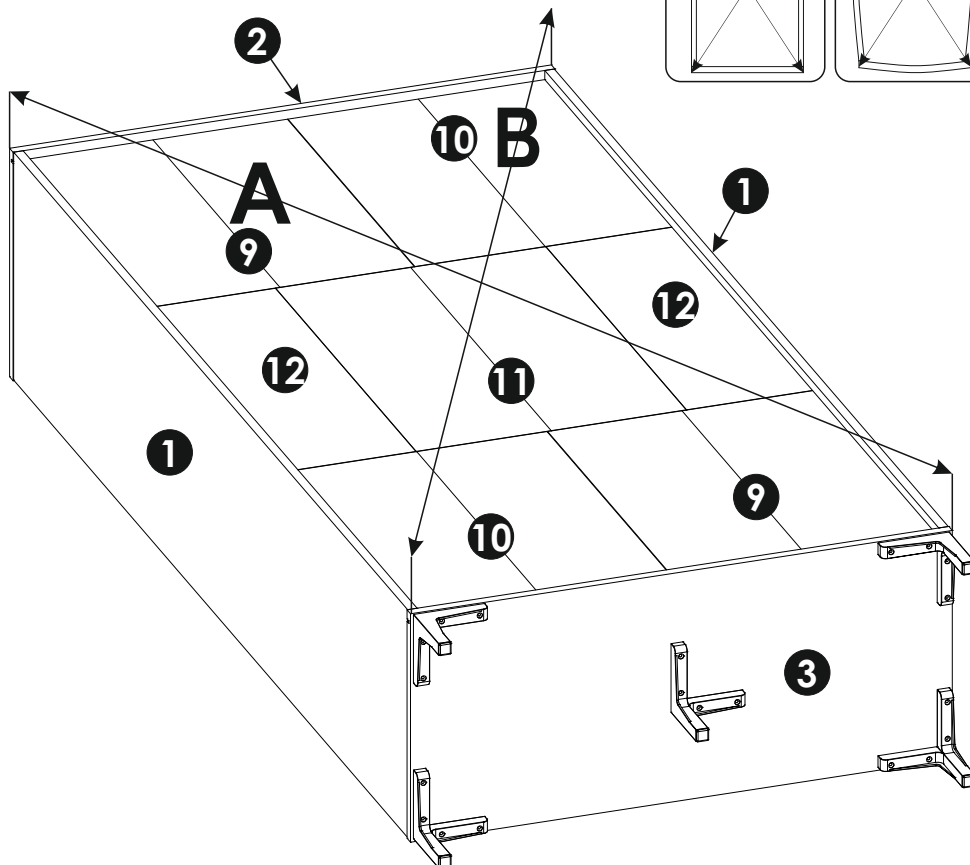
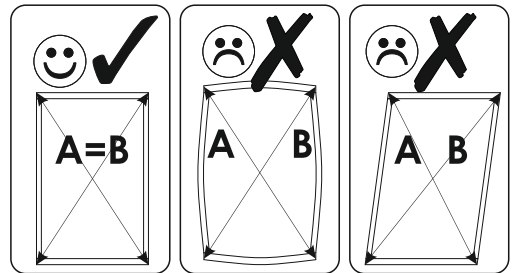
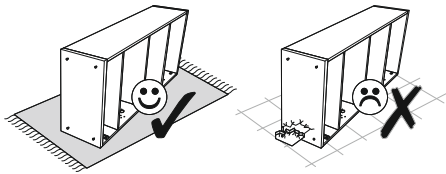
20 ▶



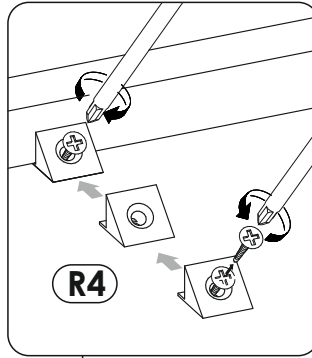
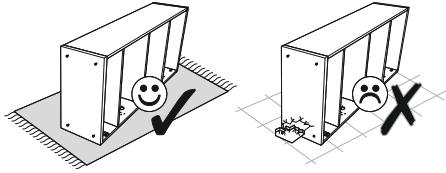
21 ▶



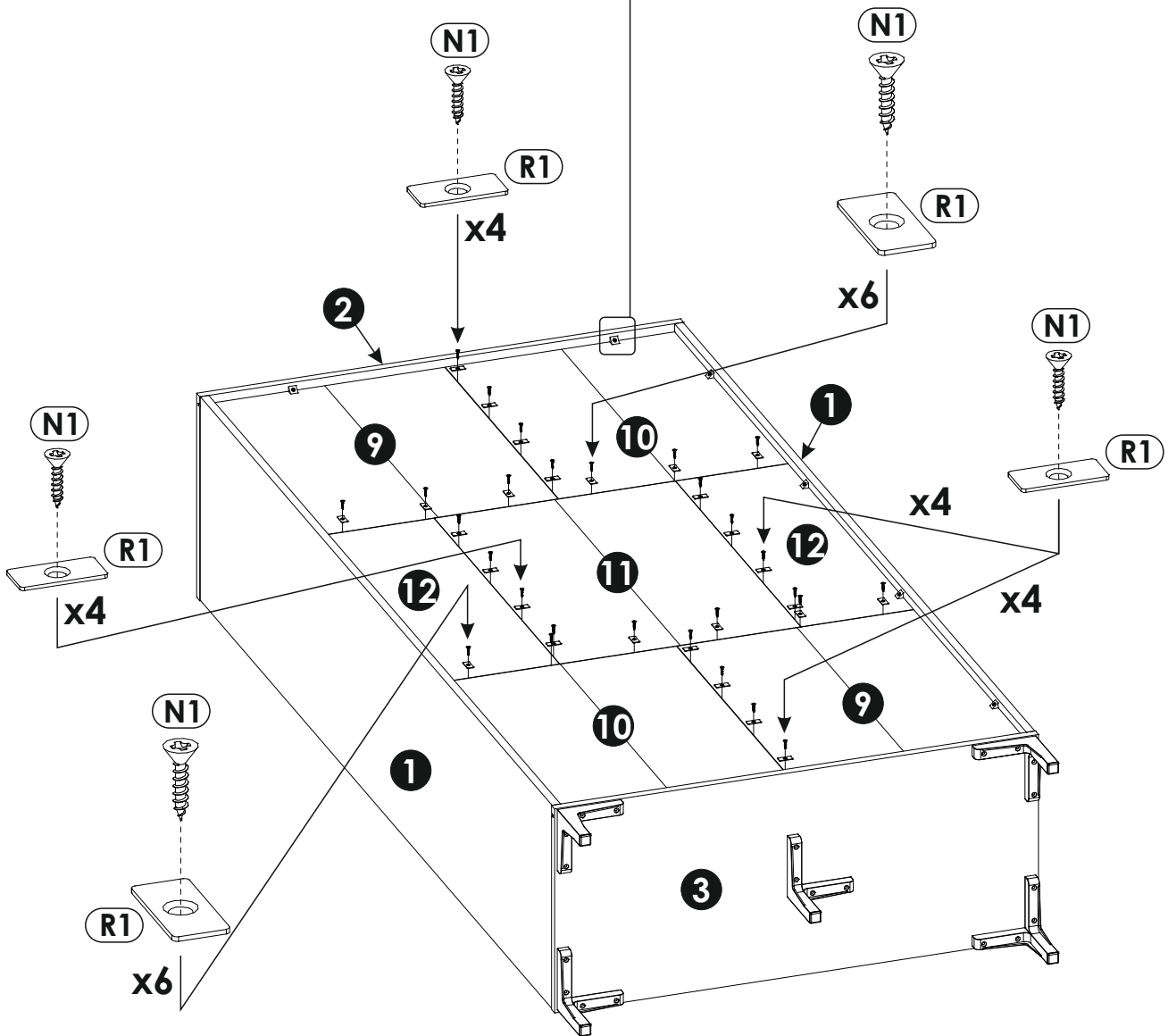
22 ▶



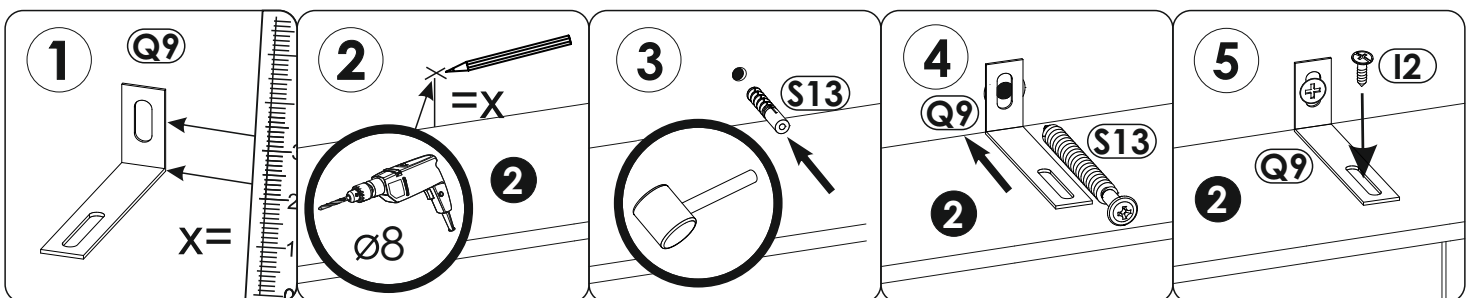
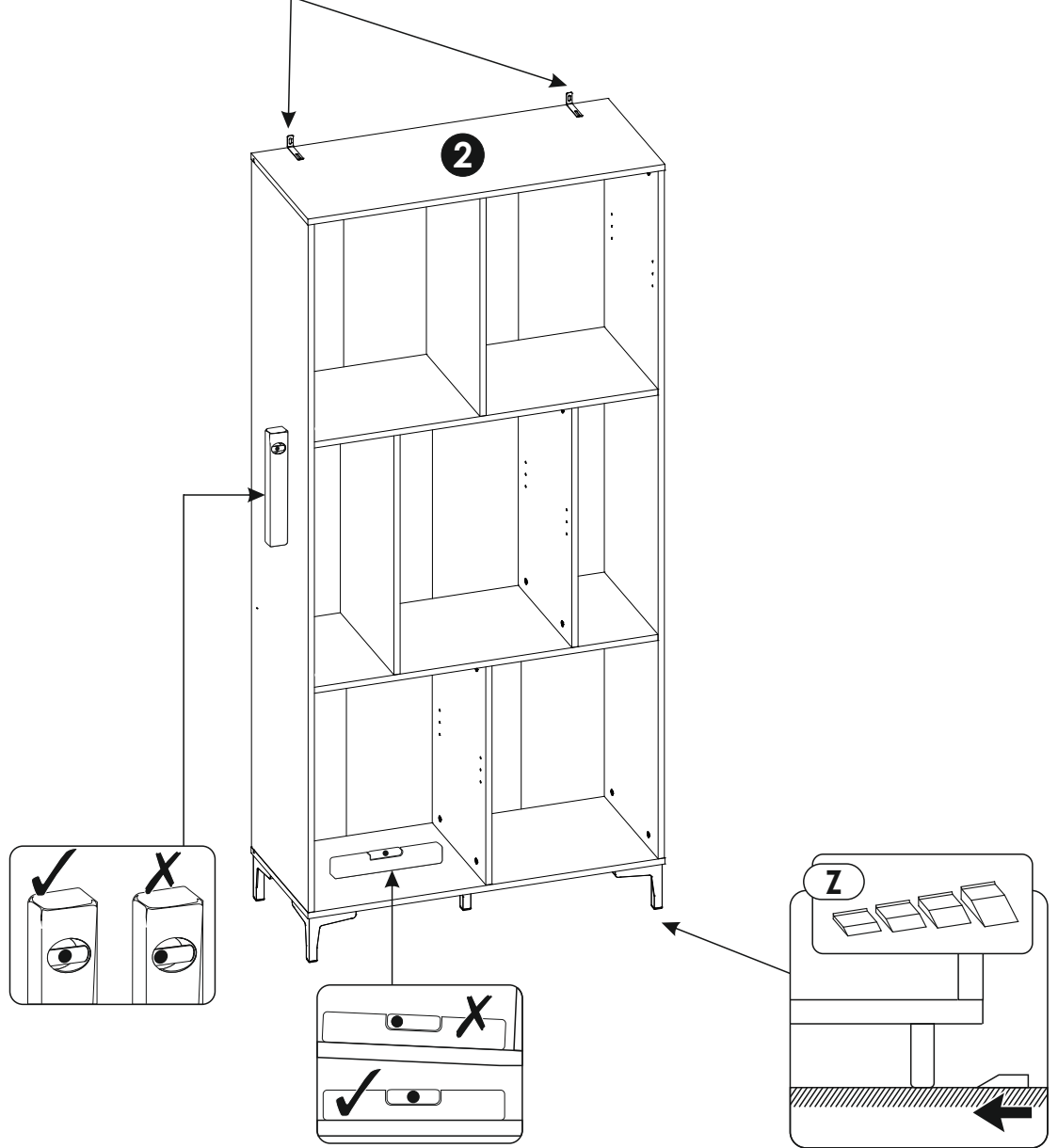
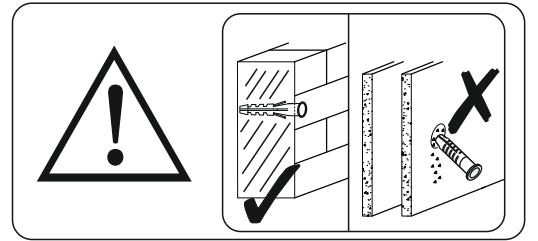
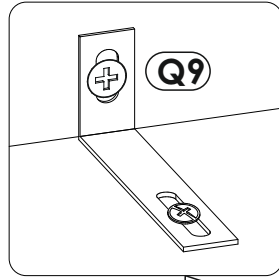
23 ▶



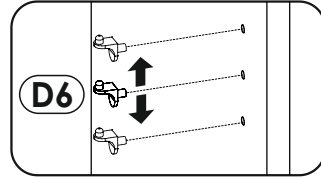
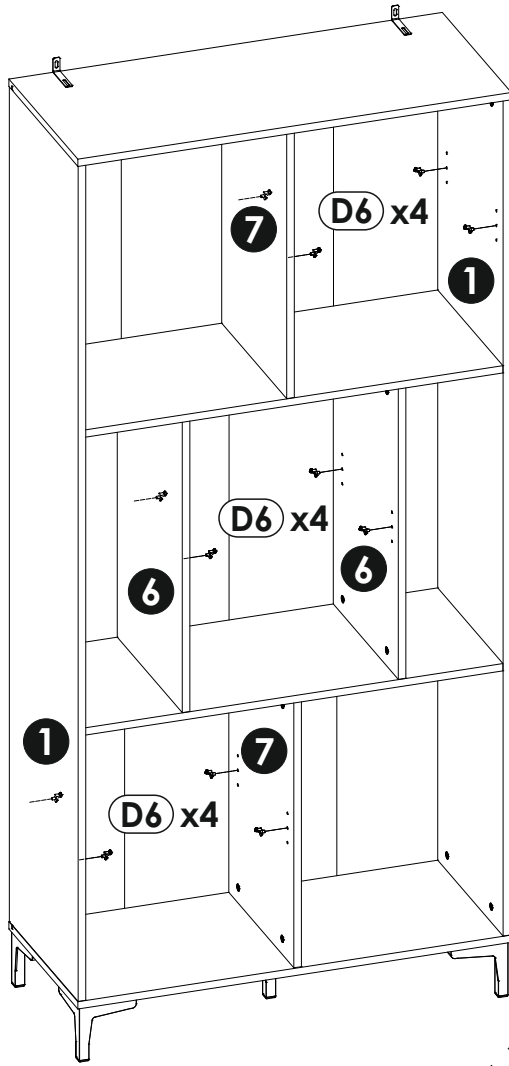
x12



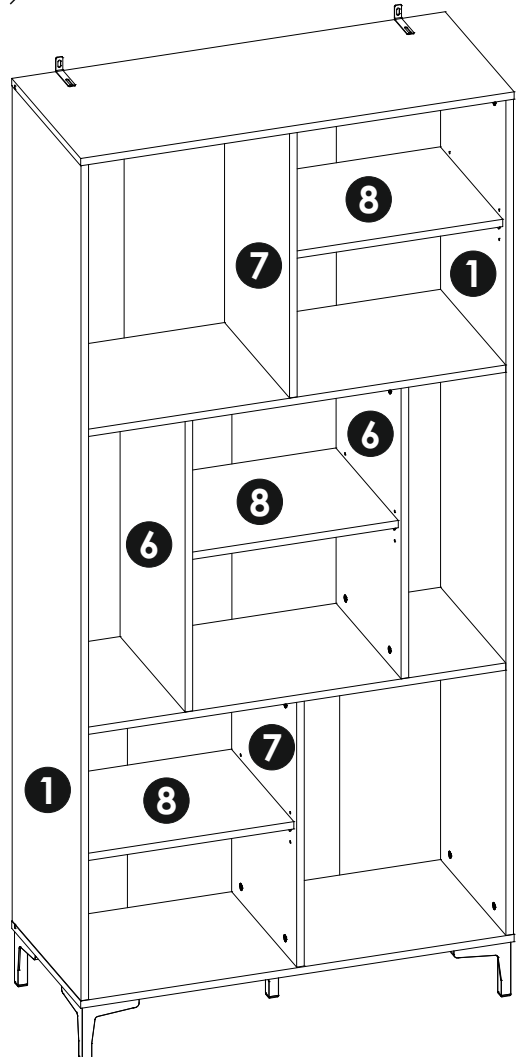
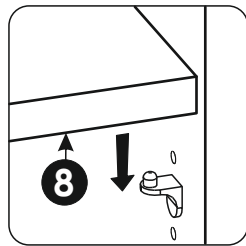
24 ▶



25 ▶



26 ▶



27▶

