
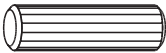

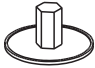




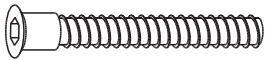

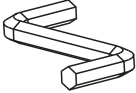


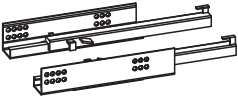
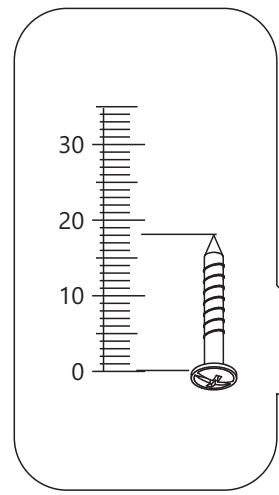
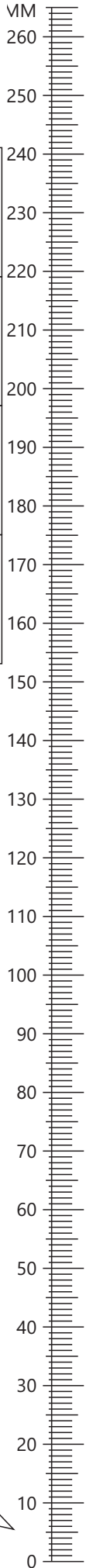
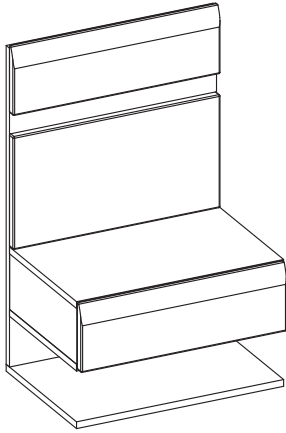
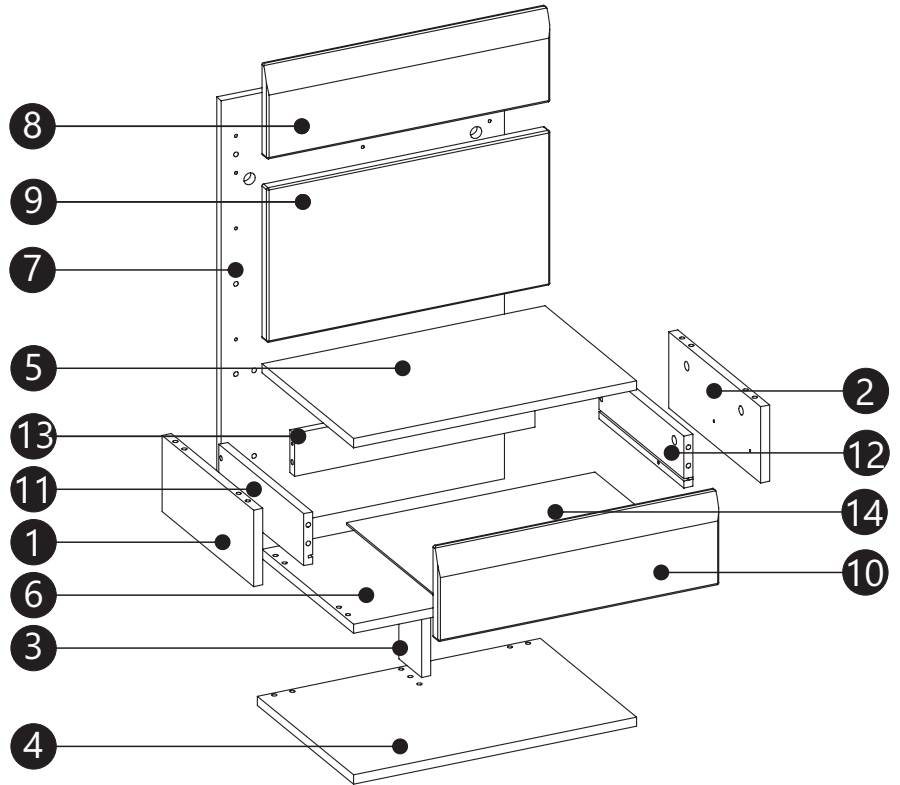


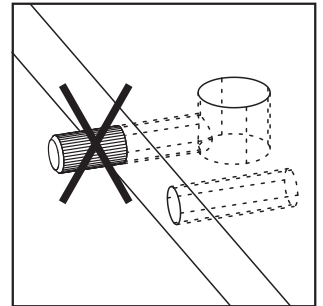
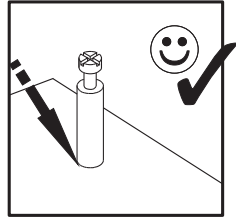
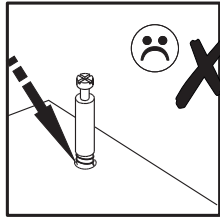
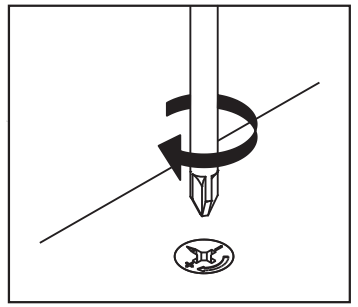
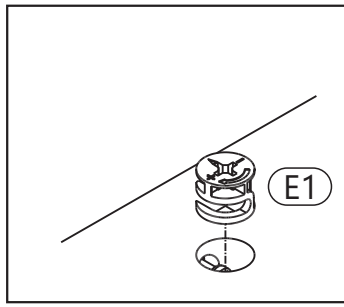
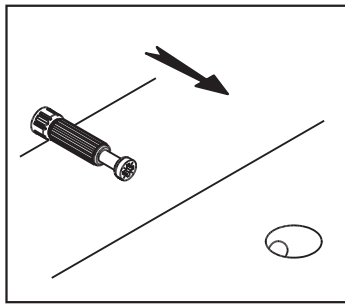
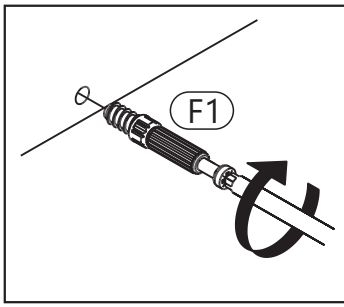
<p>A0 x4 $\varnothing 8 \times 24\text{mm}$</p> 	<p>A1 x23 $\varnothing 8 \times 35\text{mm}$</p> 	<p>C2 x8 $5 \times 13\text{mm}$</p> 
<p>E0a x6</p> 	<p>E1 x6 $\varnothing 15 \times 12\text{mm}$</p> 	<p>F1 x6 $\varnothing 6 \times 34\text{mm}$</p> 
<p>G0a x4</p> 	<p>G0b x13</p> 	<p>G1 x17 $\varnothing 7 \times 50\text{mm}$</p> 
<p>J6 x12 US 4 x 30mm</p> 	<p>M x1</p> 	<p>N1 x10 $3 \times 16\text{mm}$</p> 
<p>P1 x2</p> 	<p>T10 x1</p> 	



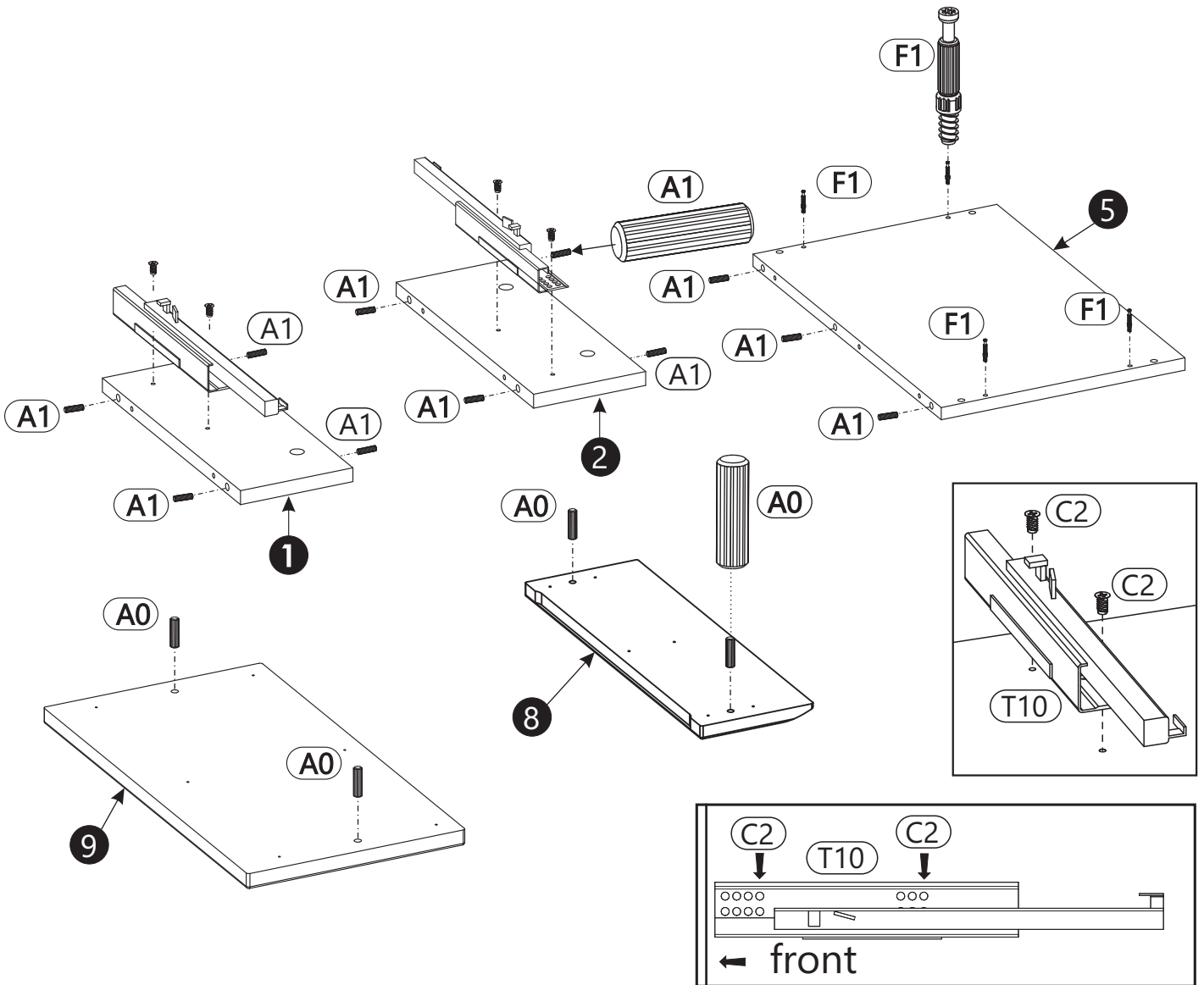


1	324	132	16	x1	1/1
2	324	132	16	x1	1/1
3	120	80	16	x2	1/1
4	500	340	16	x1	1/1
5	500	324	16	x1	1/1
6	500	324	16	x1	1/1
7	754	500	16	x1	1/1
8	500	160	19	x1	1/1
9	500	267	19	x1	1/1
10	496	160	19	x1	1/1
11	300	90	16	x1	1/1
12	300	90	16	x1	1/1
13	425	74	16	x1	1/1
14	439	305	3	x1	1/1

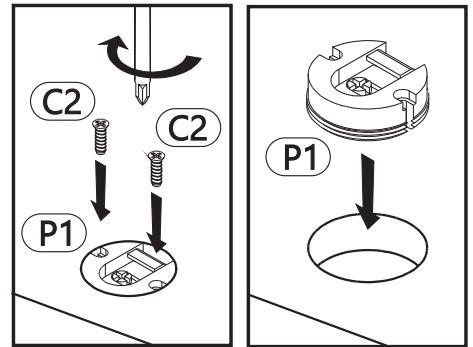
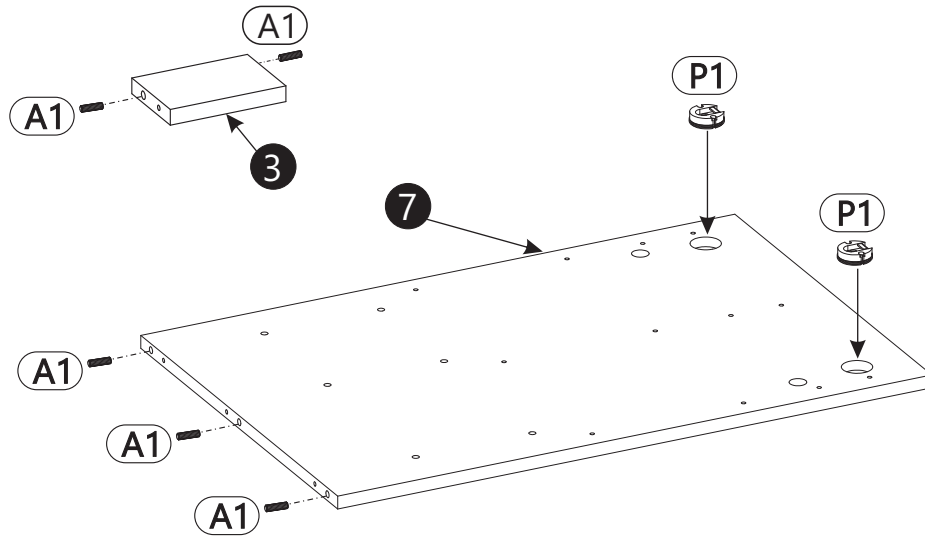
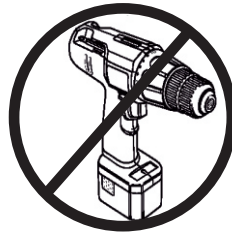




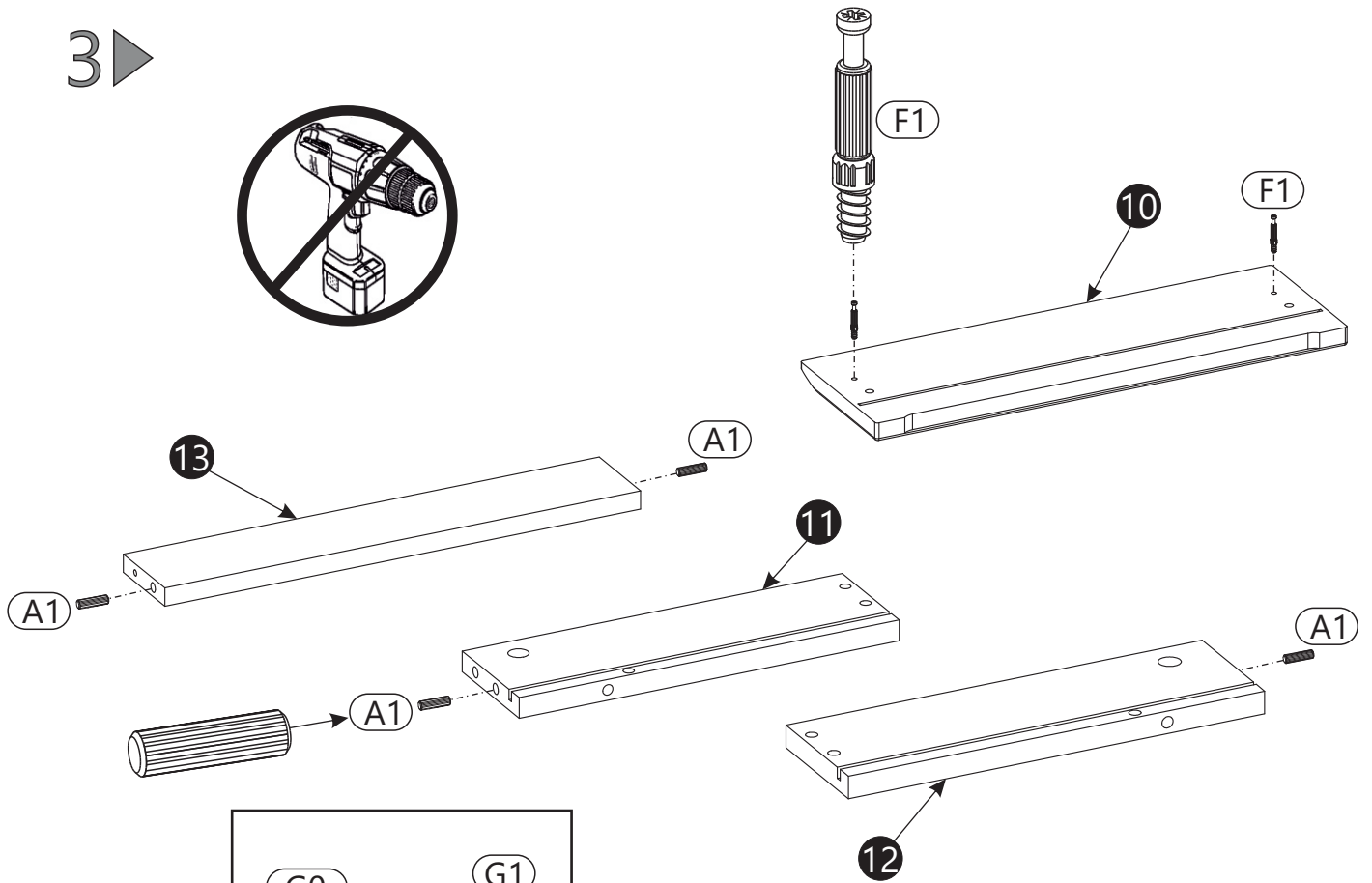
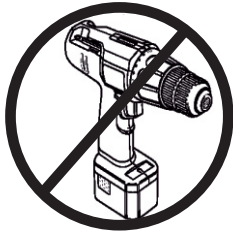
1 ▶



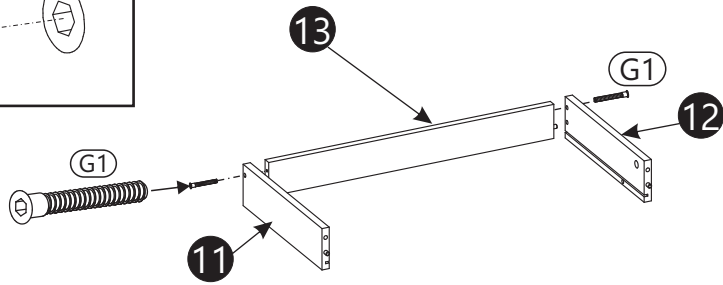
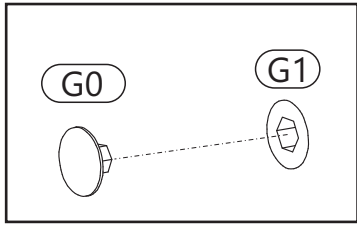
2 ▶



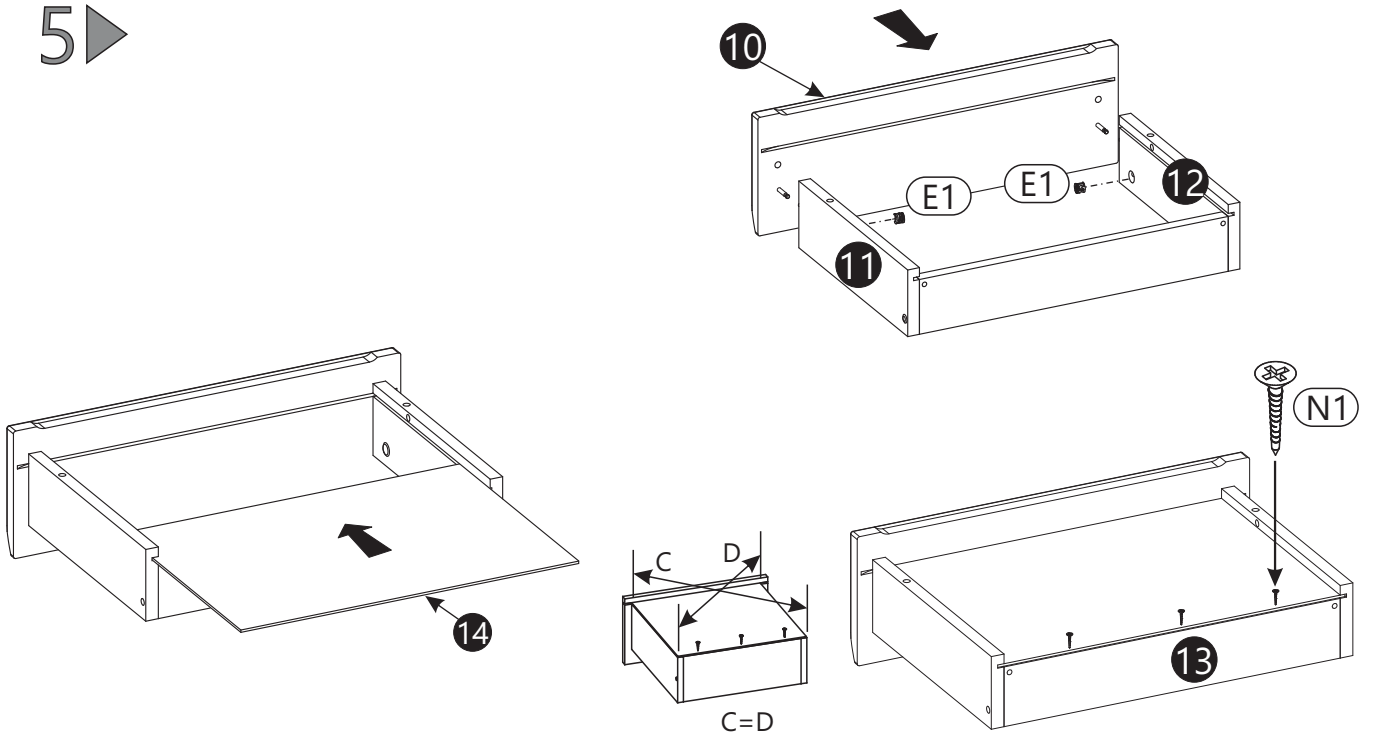
3 ▶



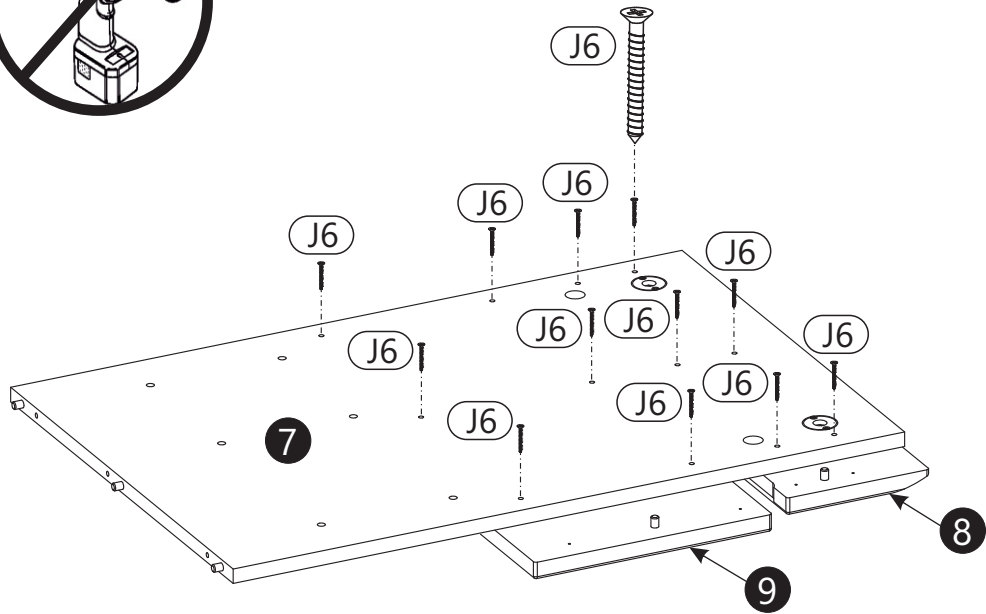
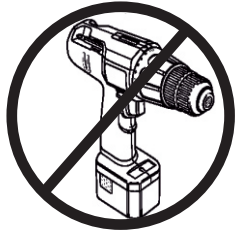
4 ▶



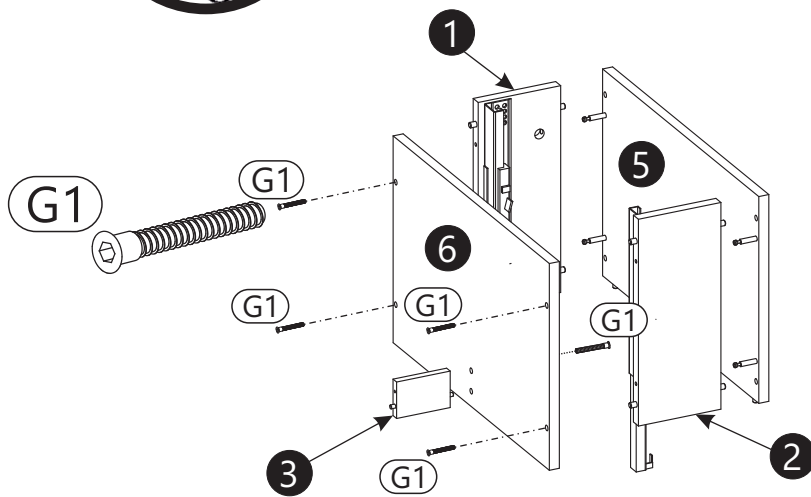
5 ▶



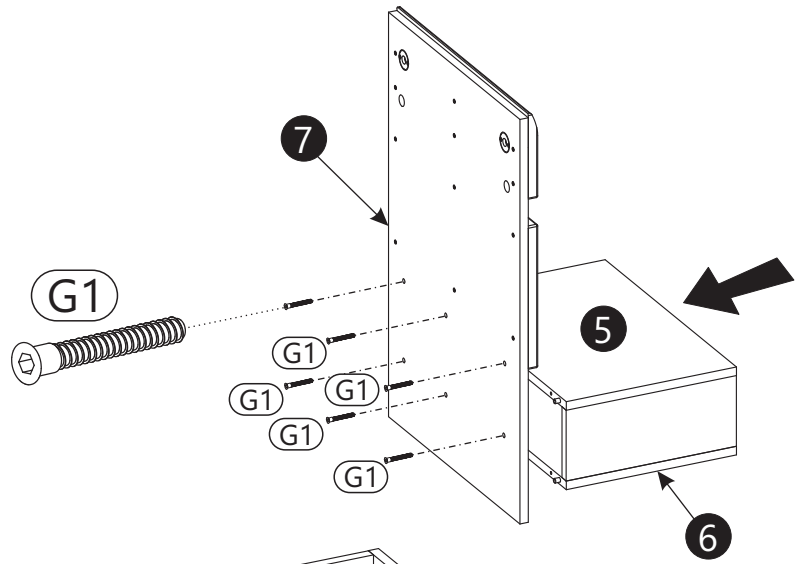
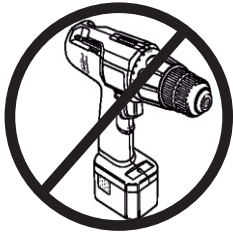
6 ▶



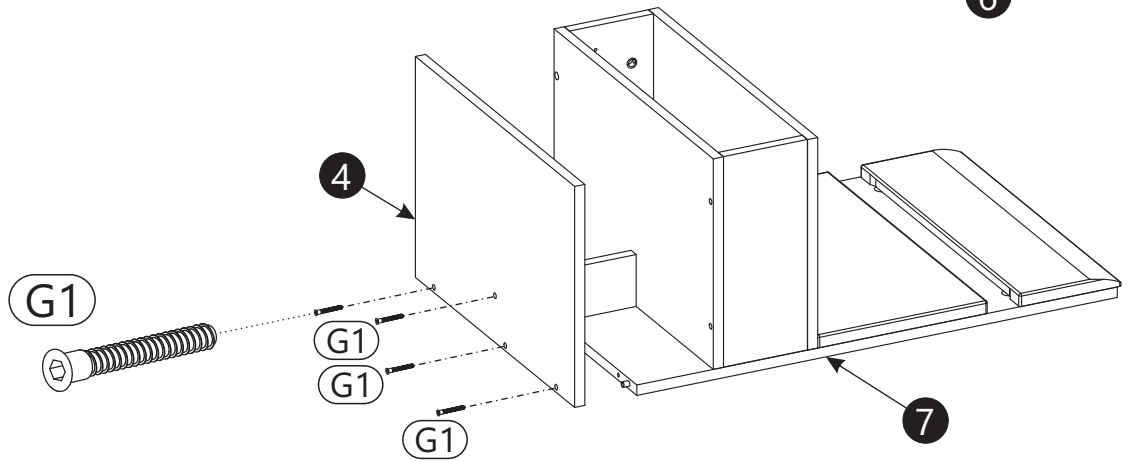
7 ▶



8 ▶



9 ▶



10 ▶

