
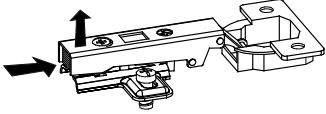
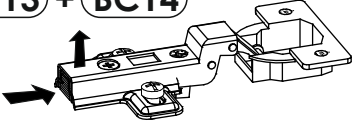



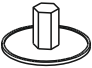



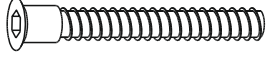




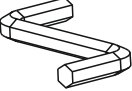

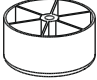



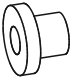
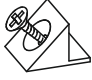
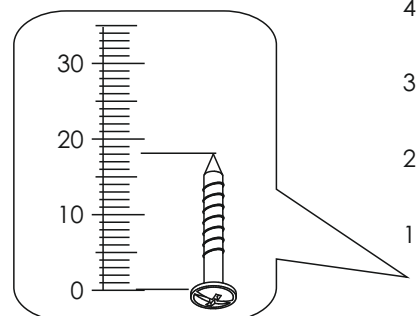
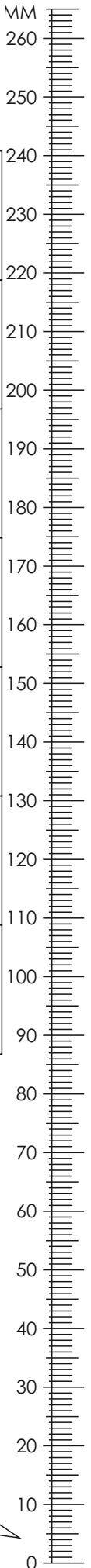
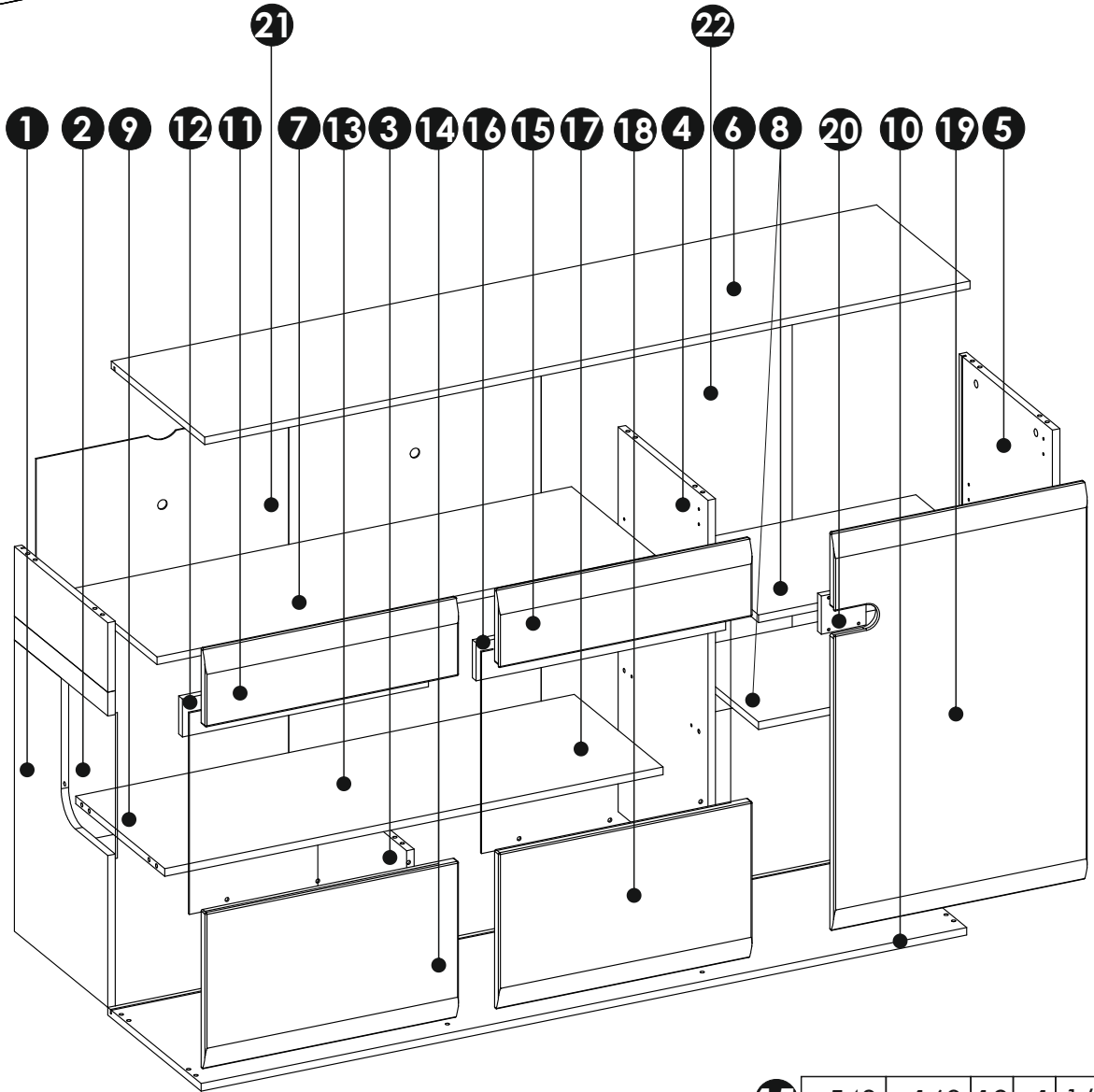
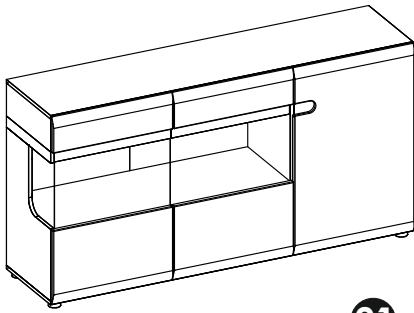


<b>A1</b> x20 $\phi 8 \times 35$ mm 	<b>BC11 + BC12</b> x4 	<b>BC13 + BC14</b> x2 
<b>C1</b> x12 4 x 13 mm 	<b>D2</b> x12 	<b>E0a</b> x4 
<b>E0b</b> x8 	<b>E1</b> x12 	<b>F1</b> x12 
<b>G0</b> x8 	<b>G1</b> x8 $\phi 7 \times 50$ mm 	<b>I2</b> x9 4 x 16 mm 
<b>I7</b> x6 4 x 35 mm 	<b>I10</b> x6 3,5 x 22 mm 	<b>J6</b> x4 4 x 30 mm 
<b>M</b> x1 	<b>N1</b> x20 3 x 16 mm 	<b>O15</b> x6 $\phi 50 \times 25$ mm 
<b>P13</b> x2 	<b>Q9</b> x1 	<b>R1</b> x5 
<b>R3</b> x8 	<b>R4</b> x16 	



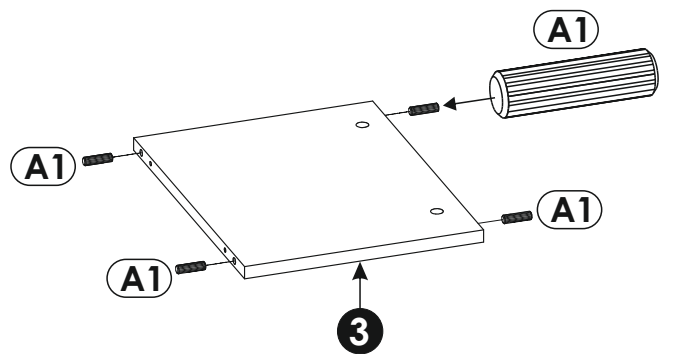
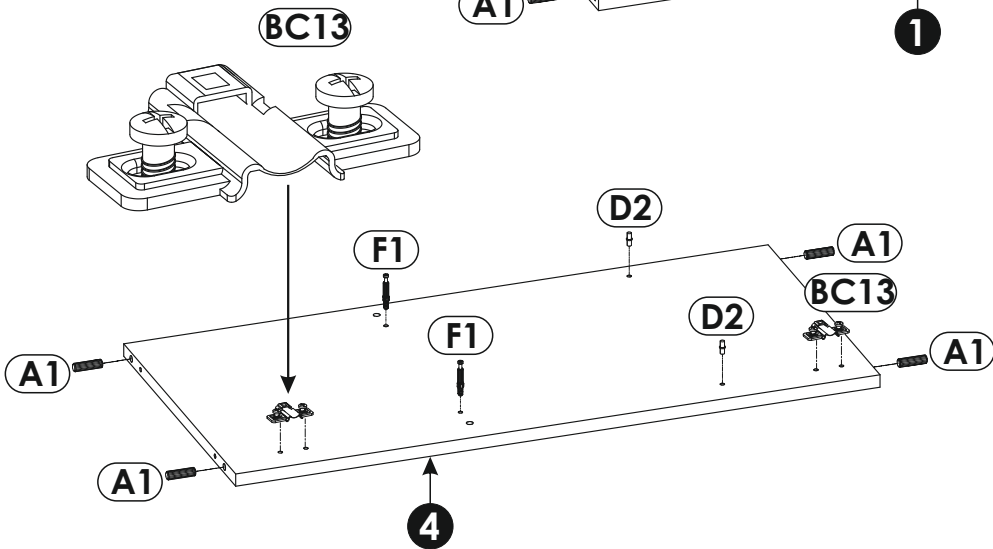
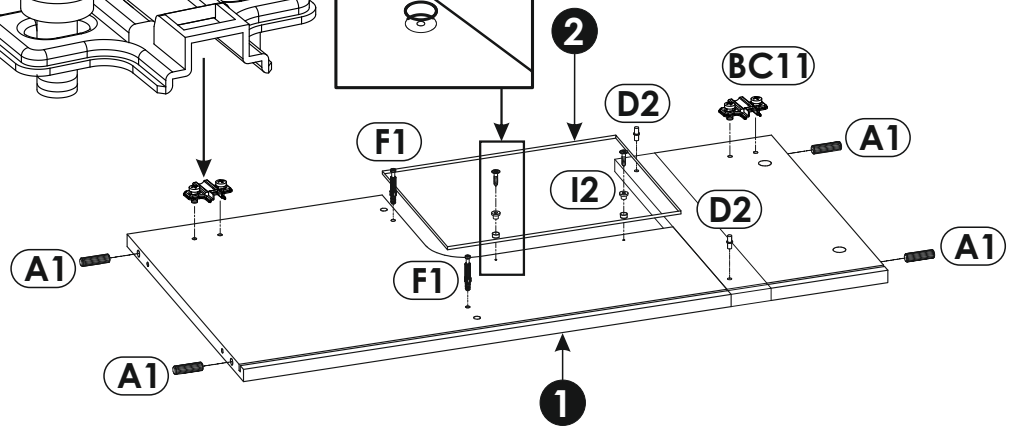
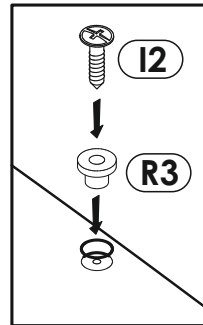
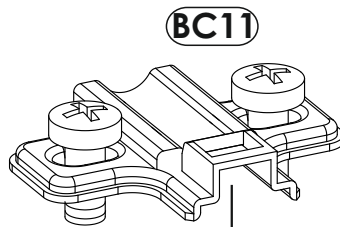
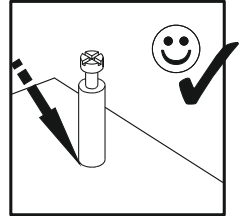
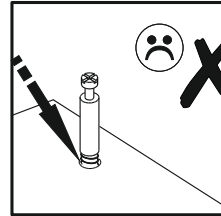
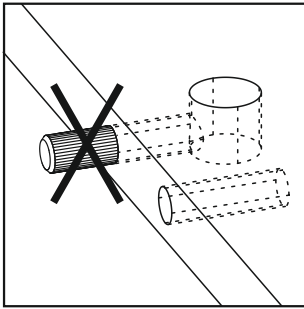
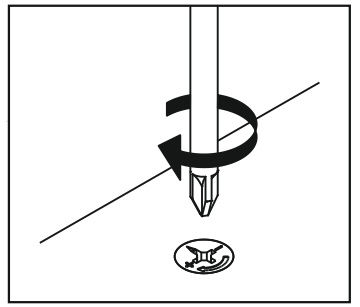
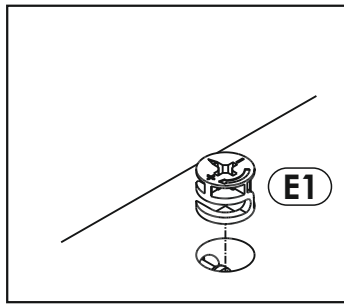
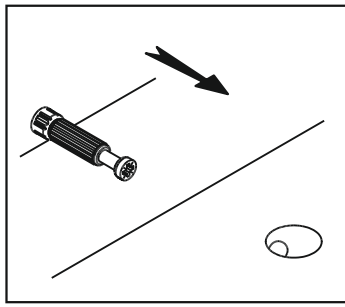
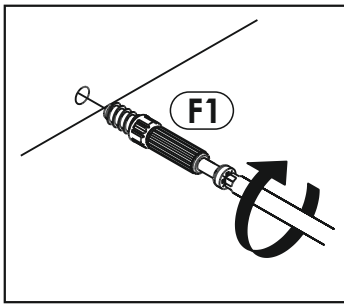




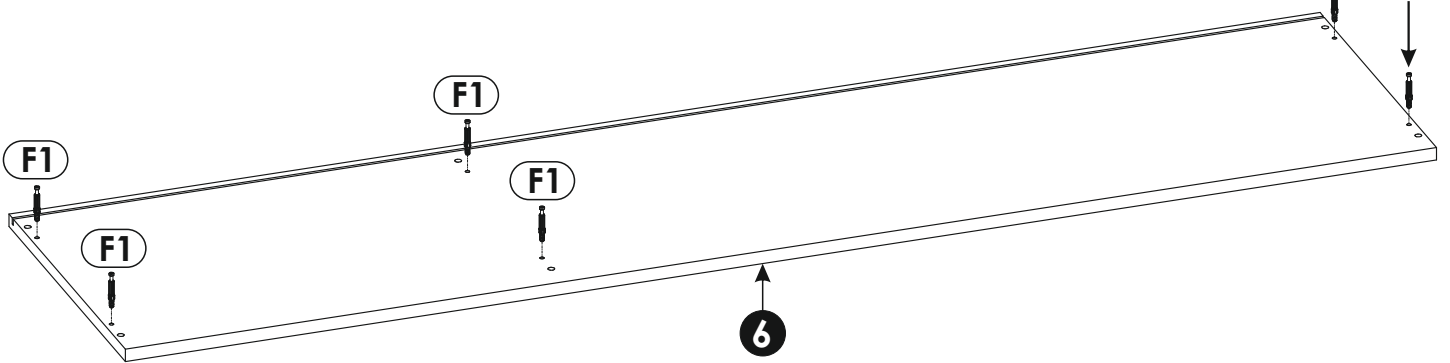
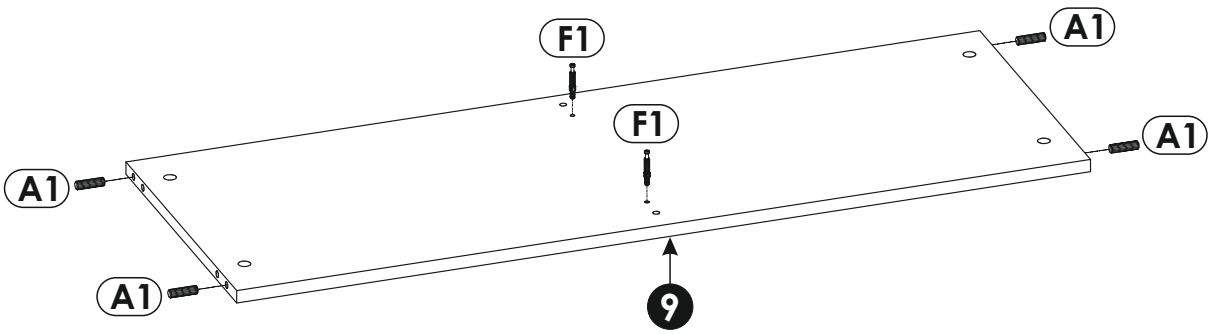
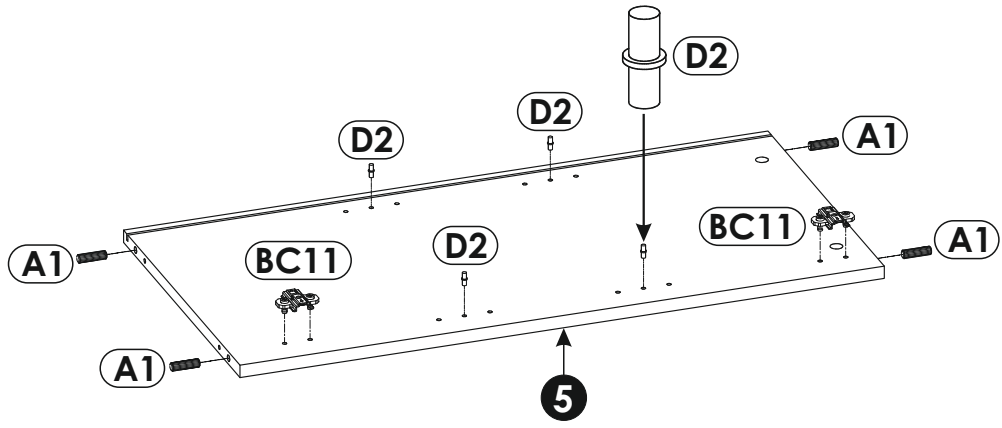
<b>1</b>	808	400	16	x1	2/2
<b>2</b>	294	224	4	x1	1/2
<b>3</b>	299	381	16	x1	1/2
<b>4</b>	808	385	16	x1	1/2
<b>5</b>	808	400	16	x1	1/2
<b>6</b>	1640	400	16	x1	2/2
<b>7</b>	1068	360	16	x1	2/2

<b>8</b>	522	370	16	x2	2/2
<b>9</b>	1068	381	16	x1	2/2
<b>10</b>	1640	400	16	x1	2/2
<b>11</b>	543	160	19	x1	1/2
<b>12</b>	527	80	16	x1	1/2
<b>13</b>	527	418	4	x1	1/2
<b>14</b>	543	333	19	x1	1/2

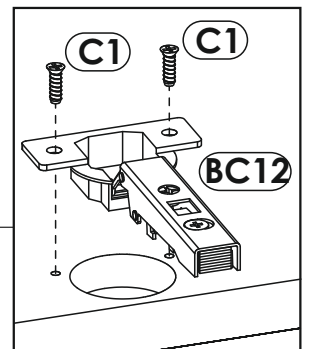
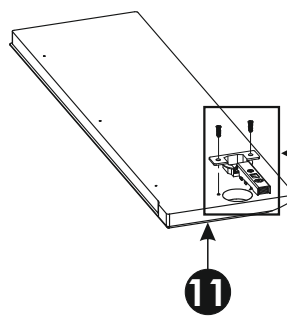
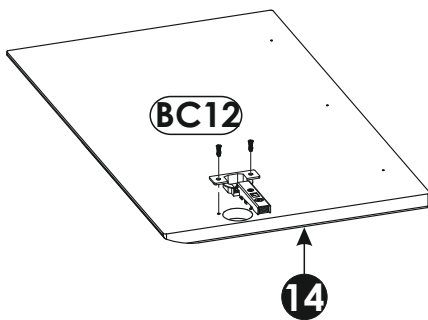
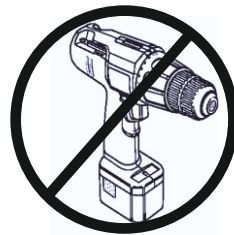
<b>15</b>	543	160	19	x1	1/2
<b>16</b>	535	80	16	x1	1/2
<b>17</b>	535	418	4	x1	1/2
<b>18</b>	543	333	19	x1	1/2
<b>19</b>	543	836	19	x1	1/2
<b>20</b>	96	80	16	x1	1/2
<b>21</b>	822	1082	3	x1	1/2
<b>22</b>	822	537	3	x1	1/2



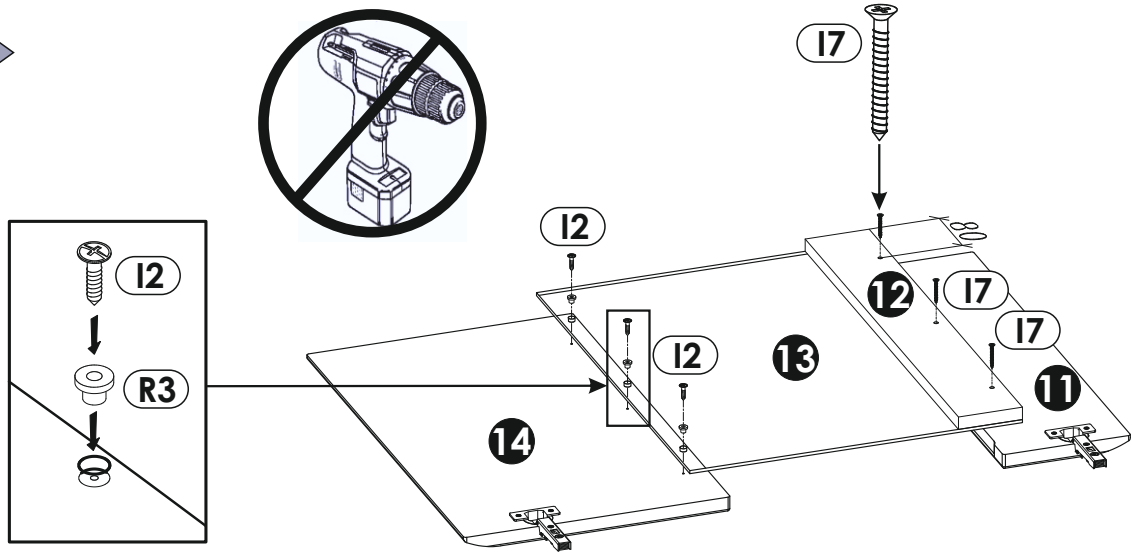
2 ▶



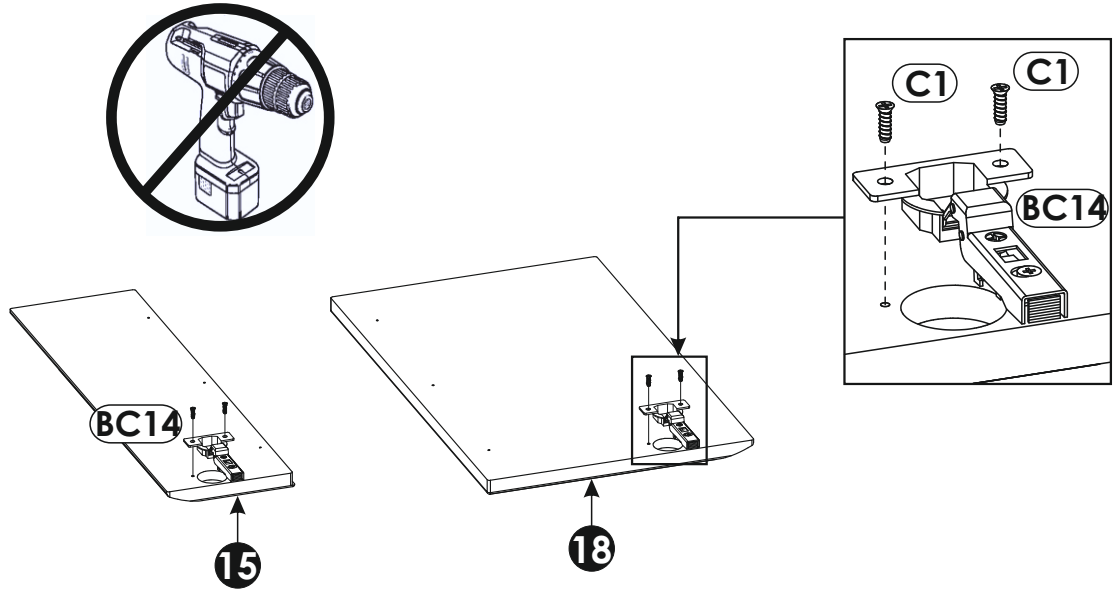
3 ▶



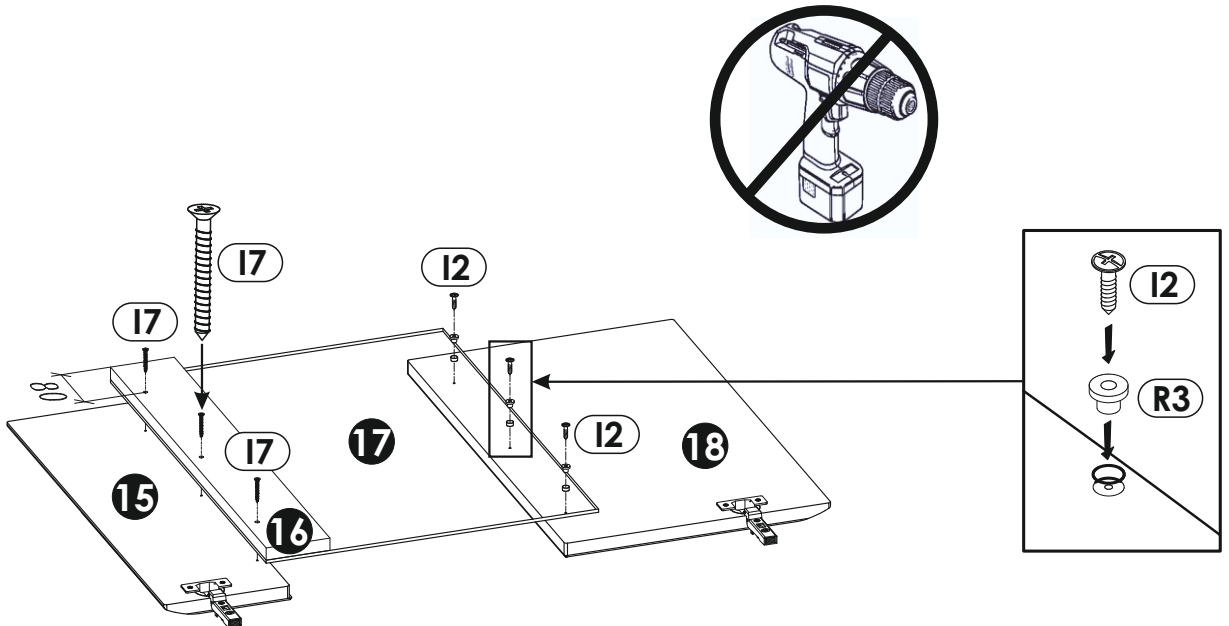
4 ▶



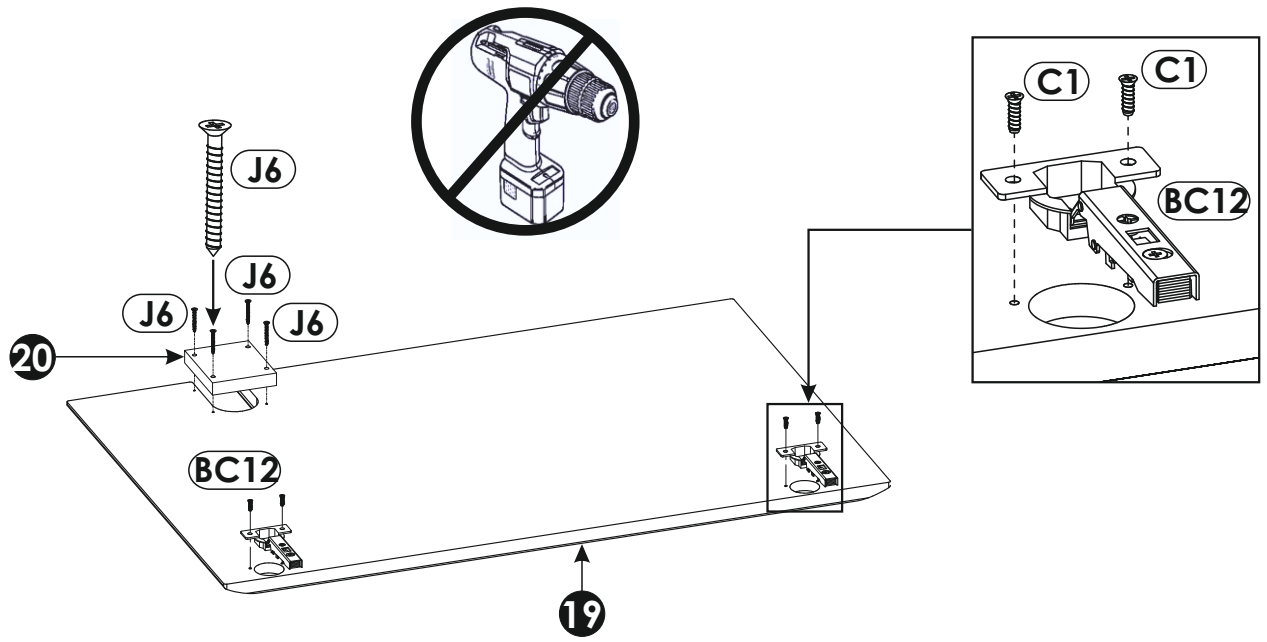
5 ▶



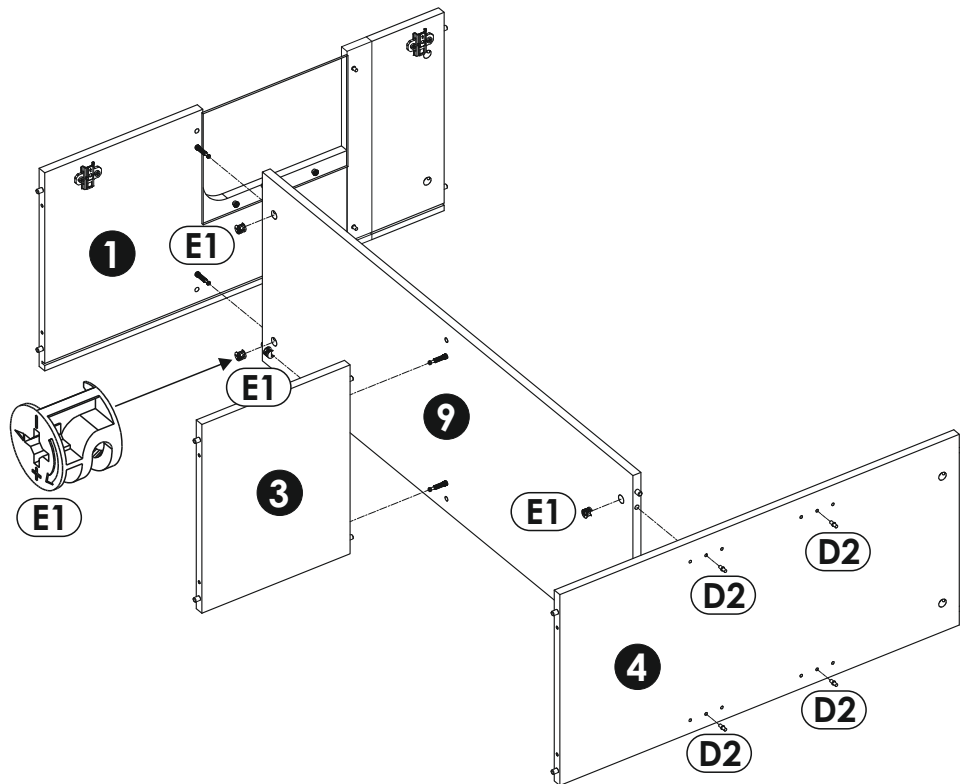
6 ▶



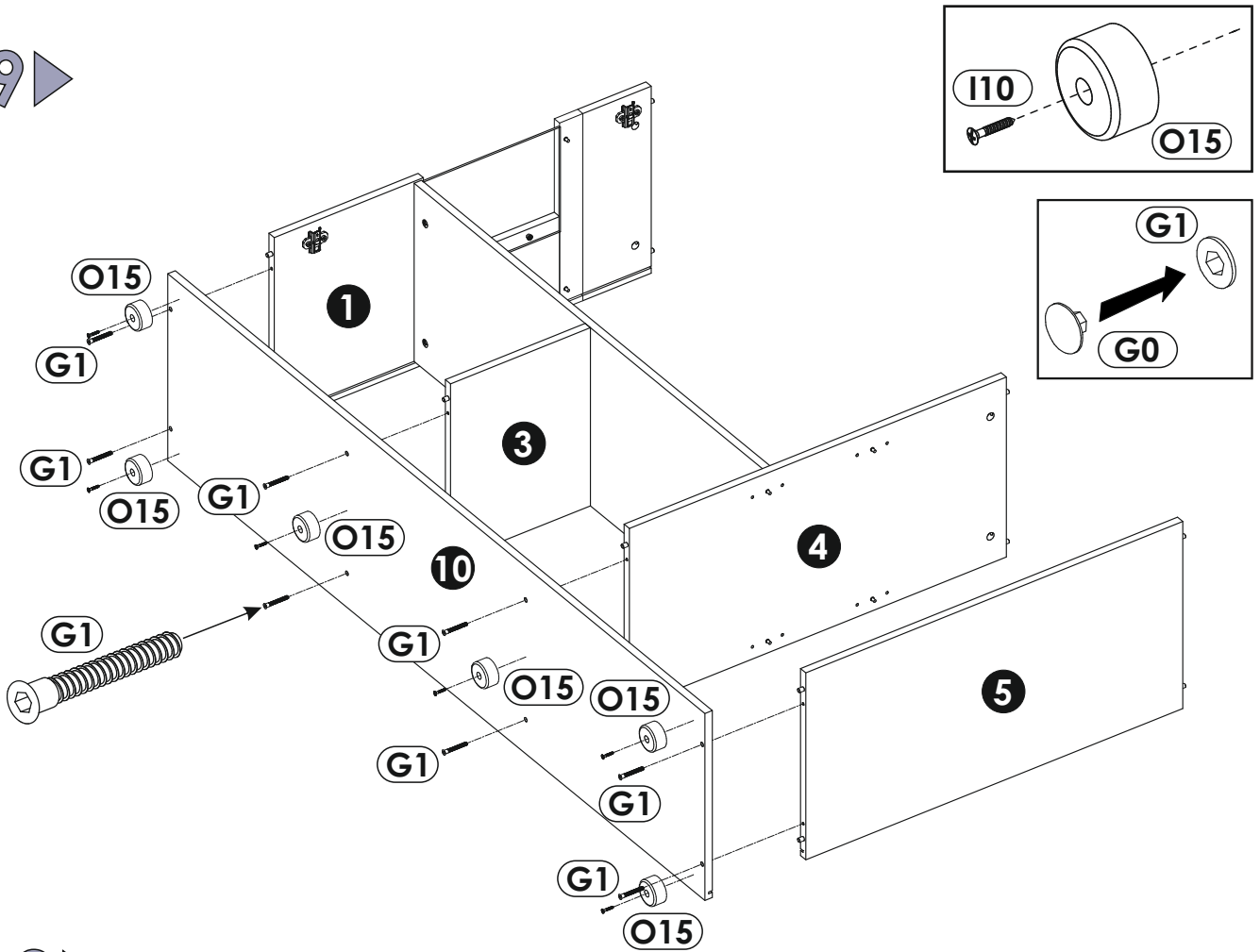
7 ▶



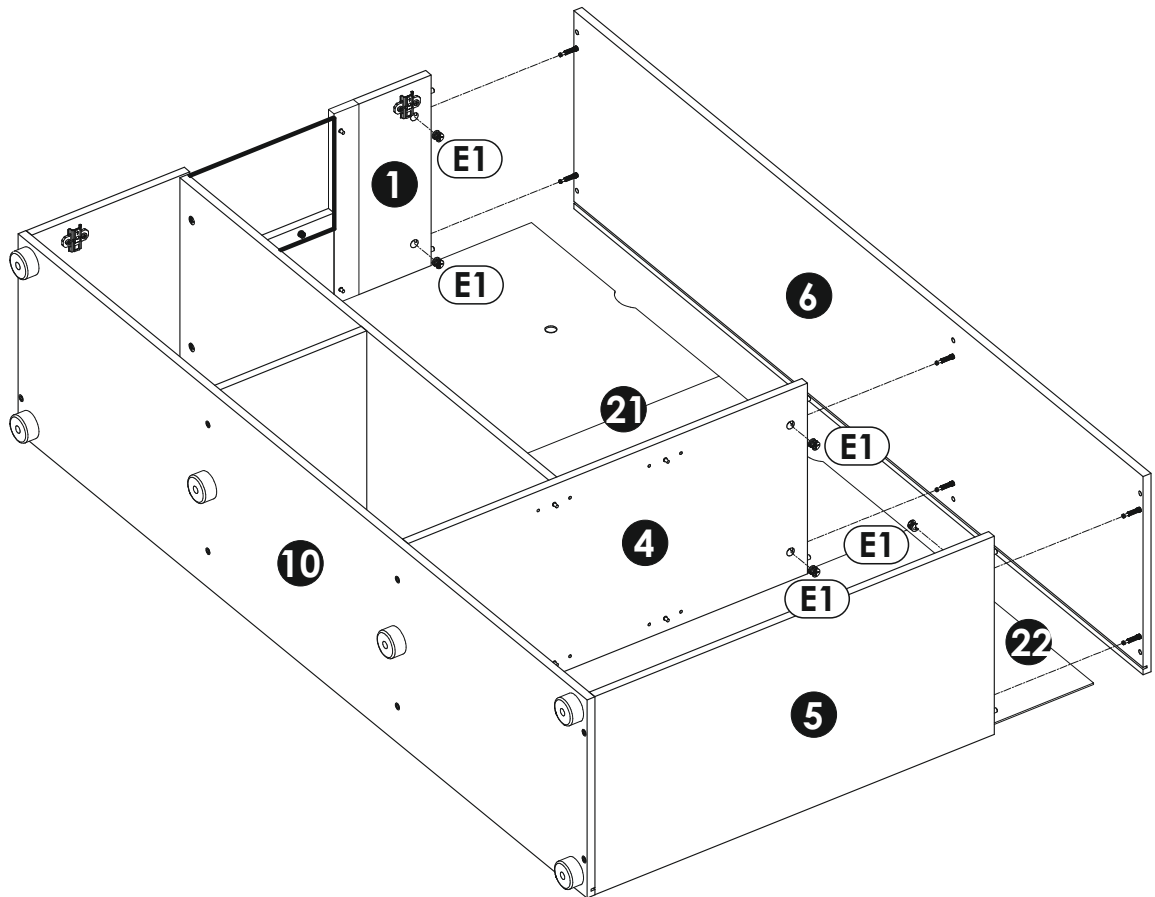
8 ▶

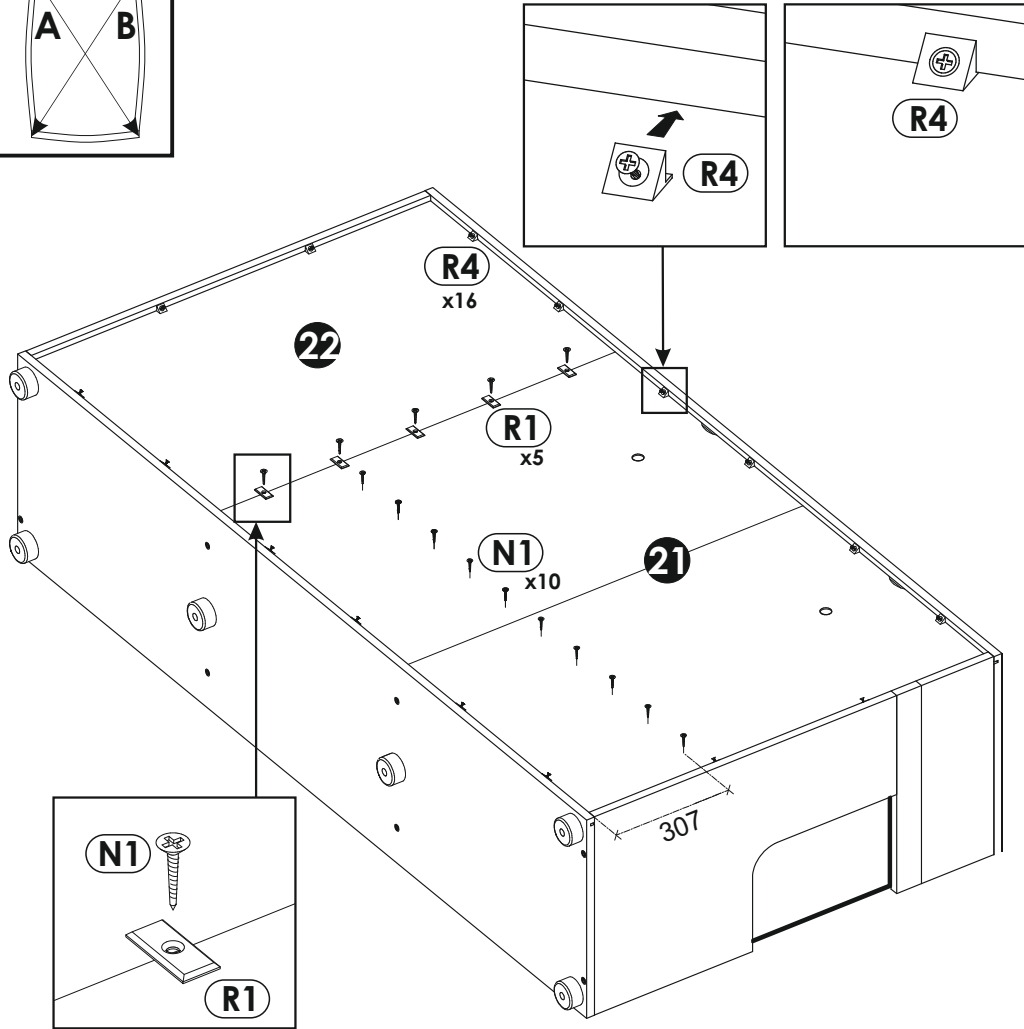
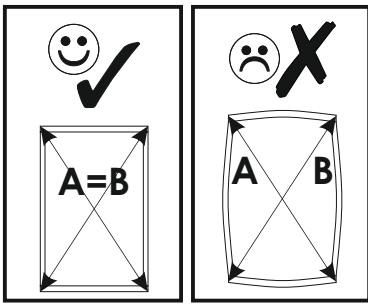


9 ▶

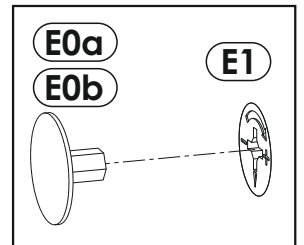
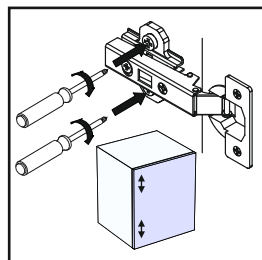
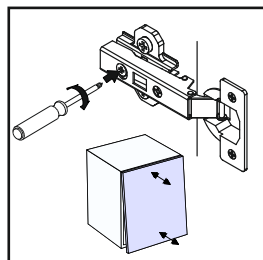
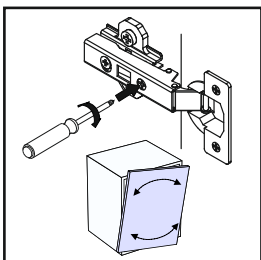
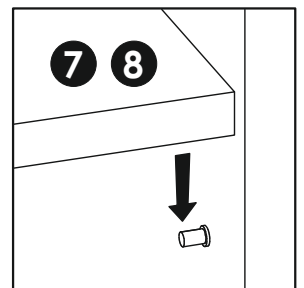
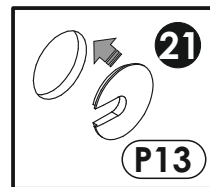
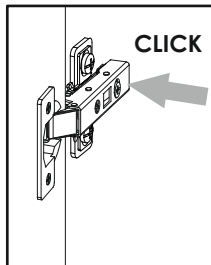
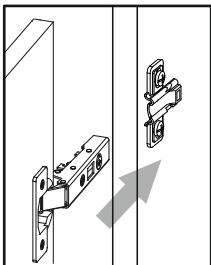
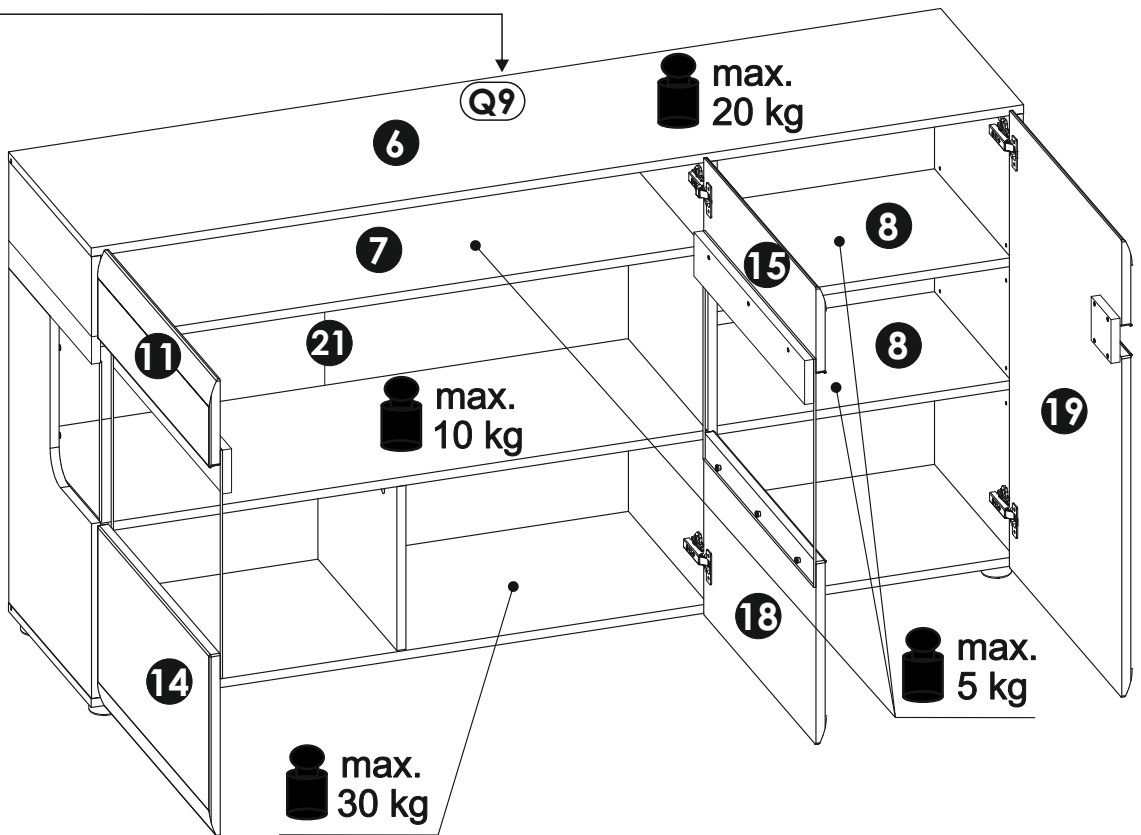
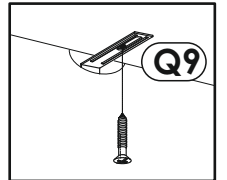
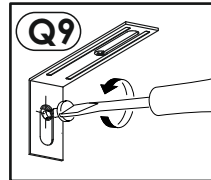
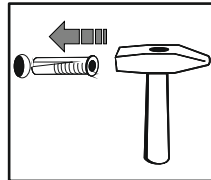
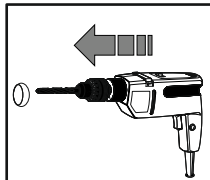
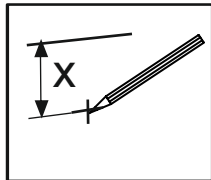
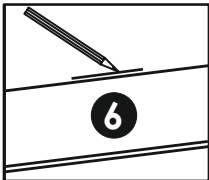
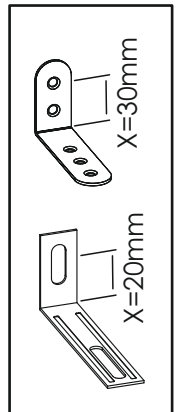
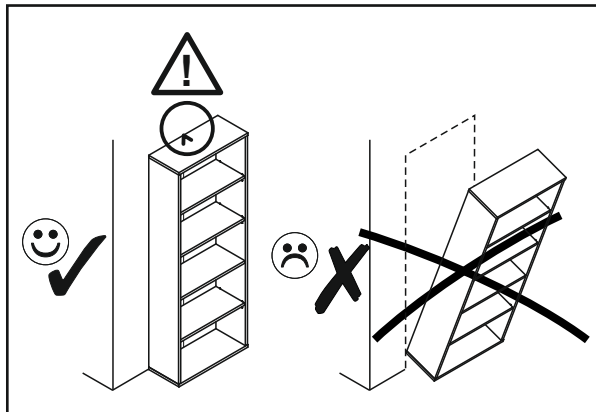


10 ▶

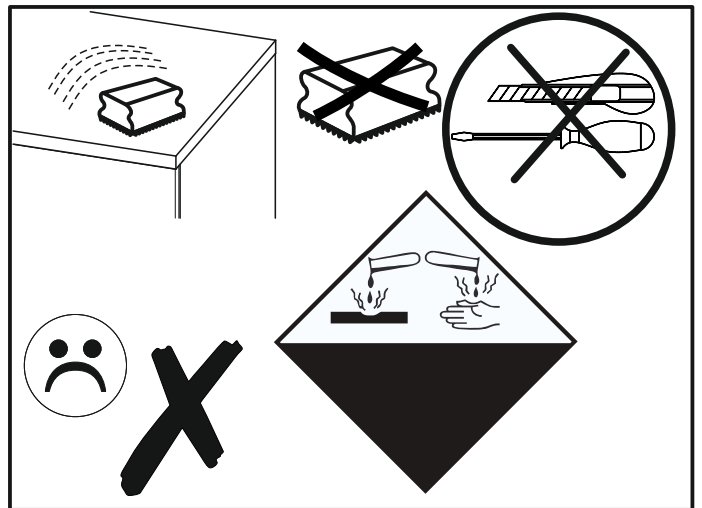
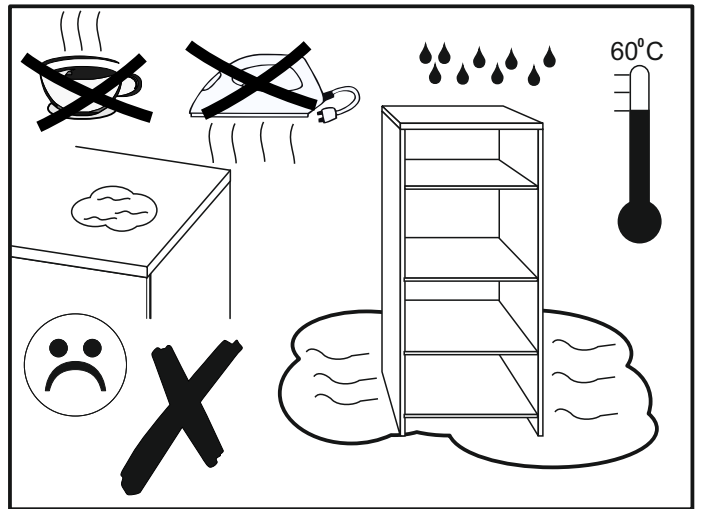
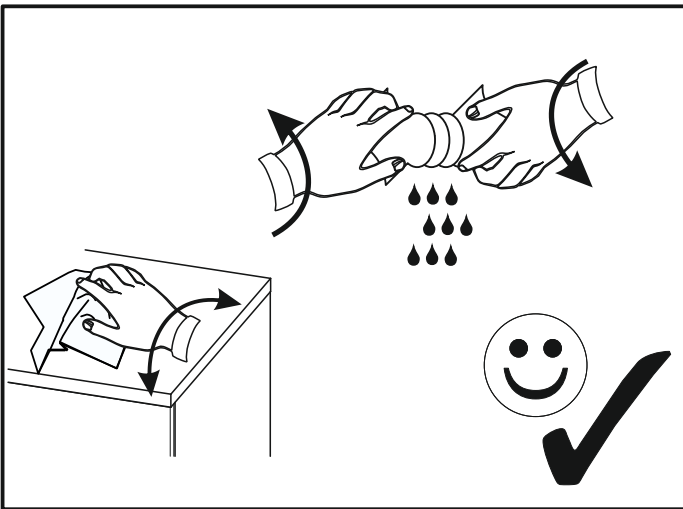


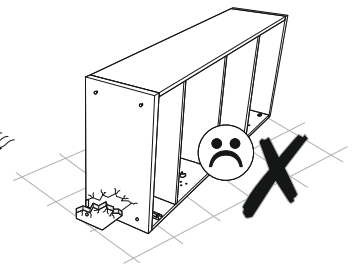
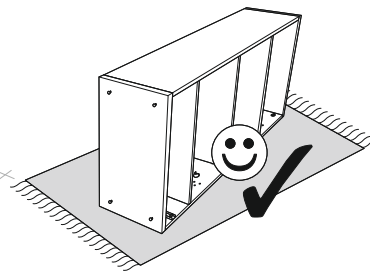
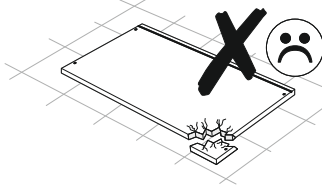
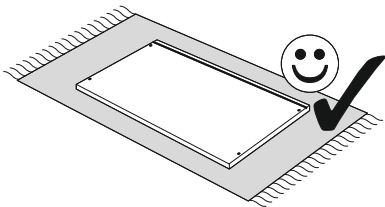
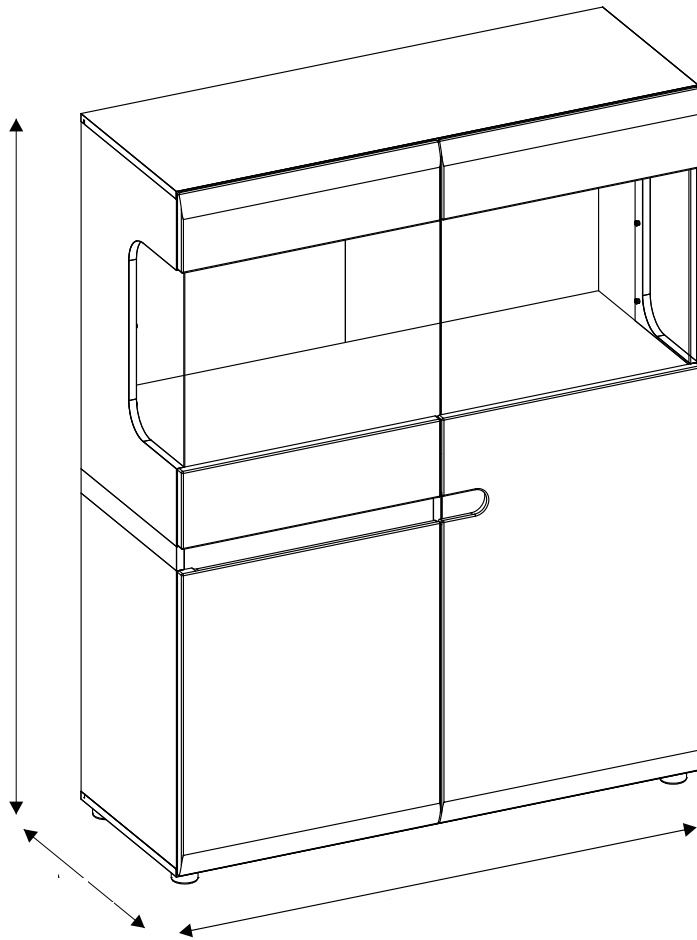
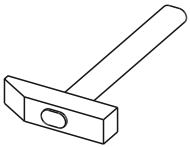
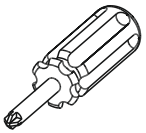
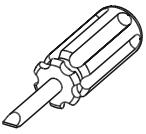
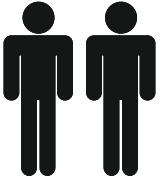


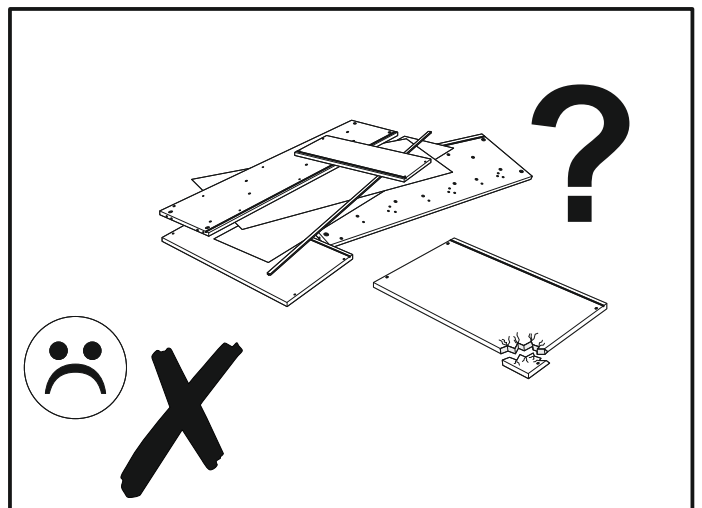
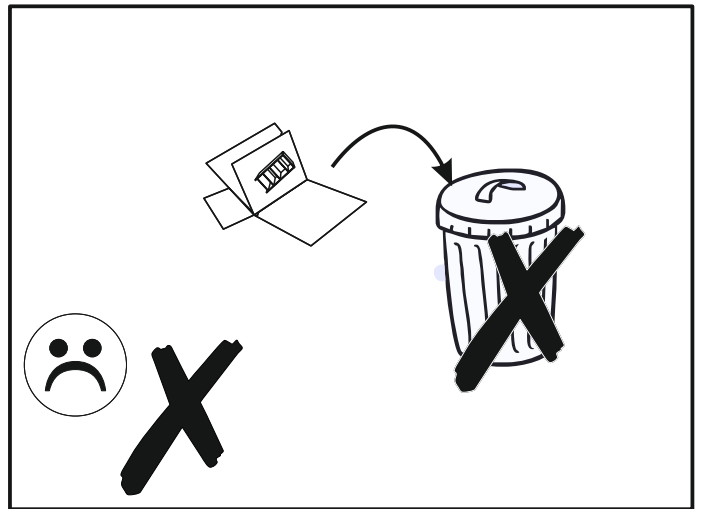
12 ▶

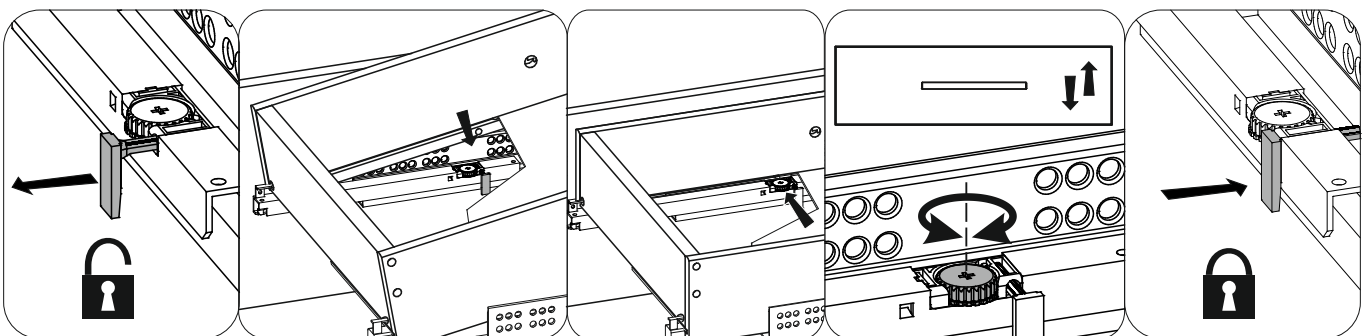
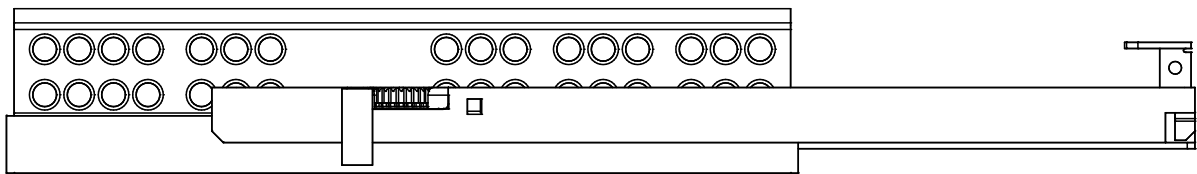
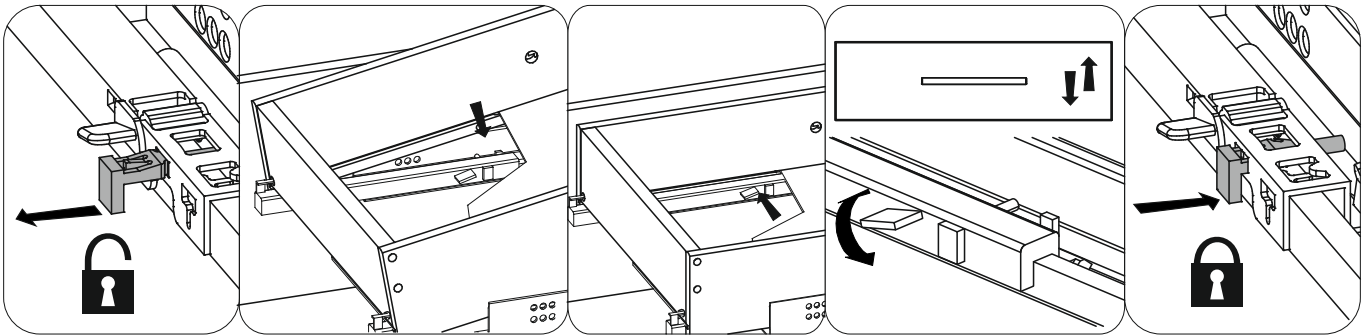
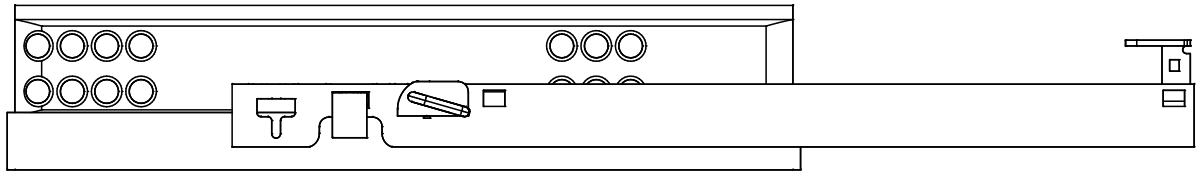
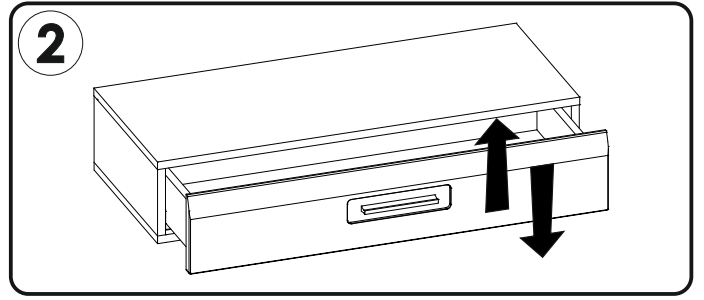
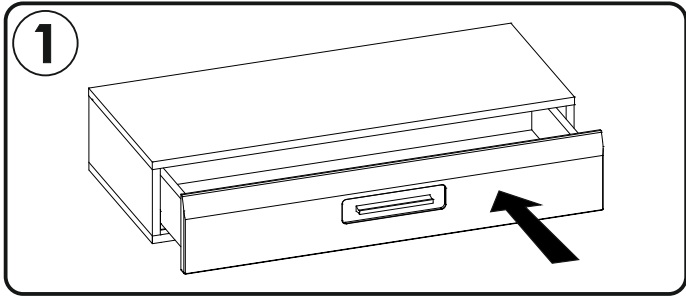



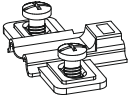
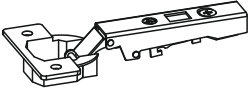



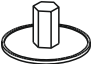





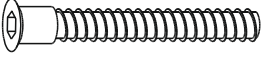



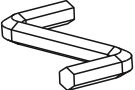

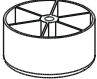


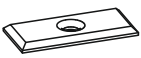

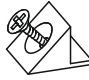
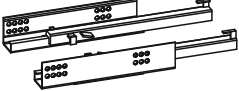


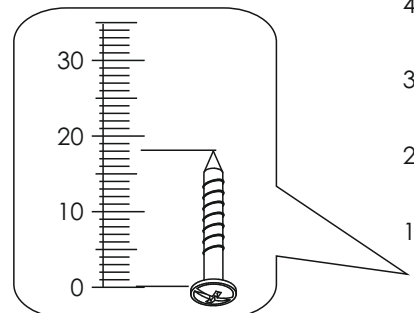
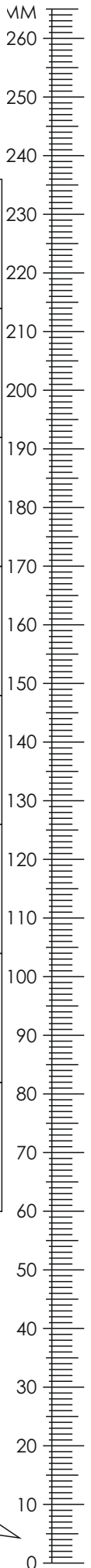


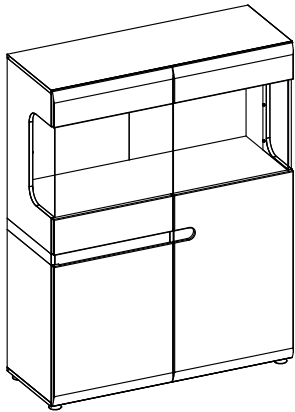




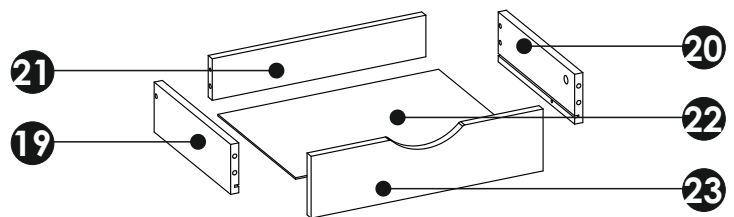
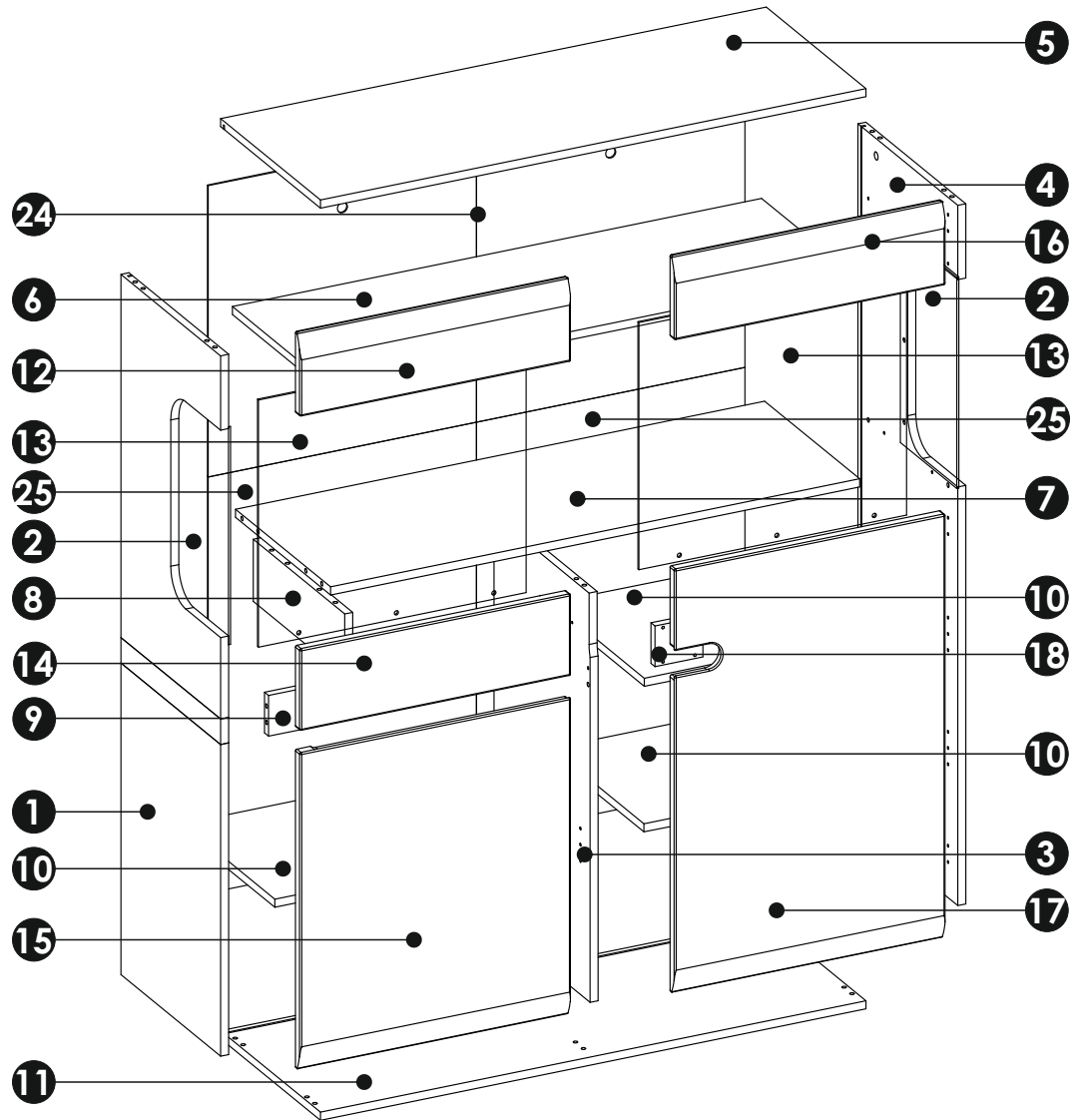


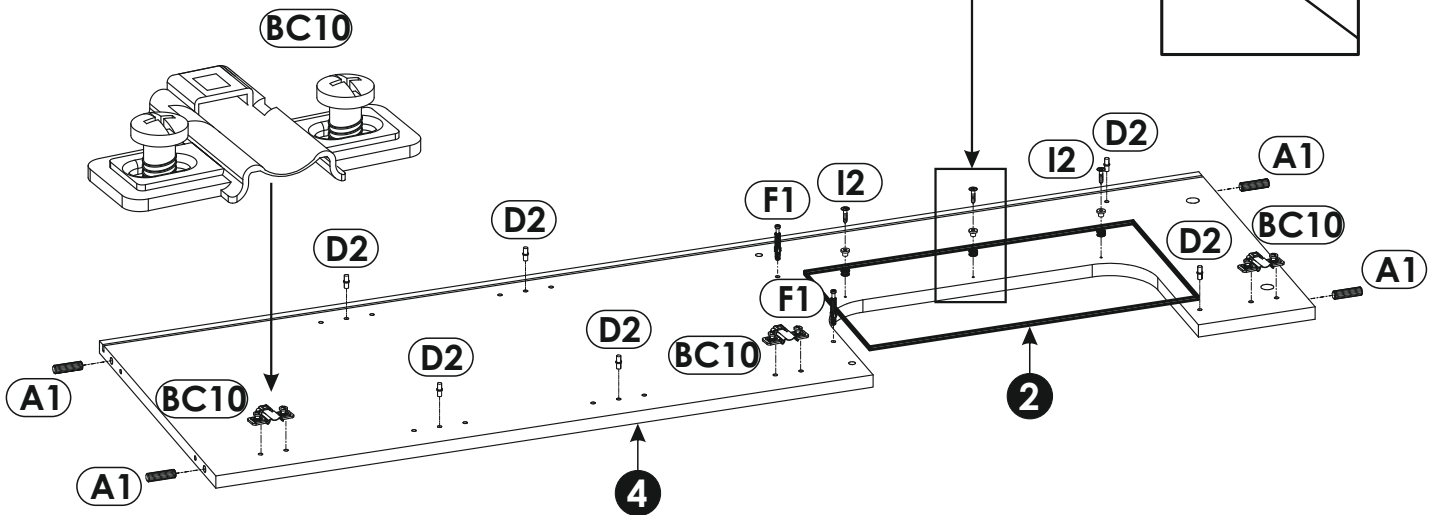
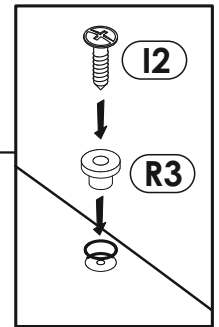
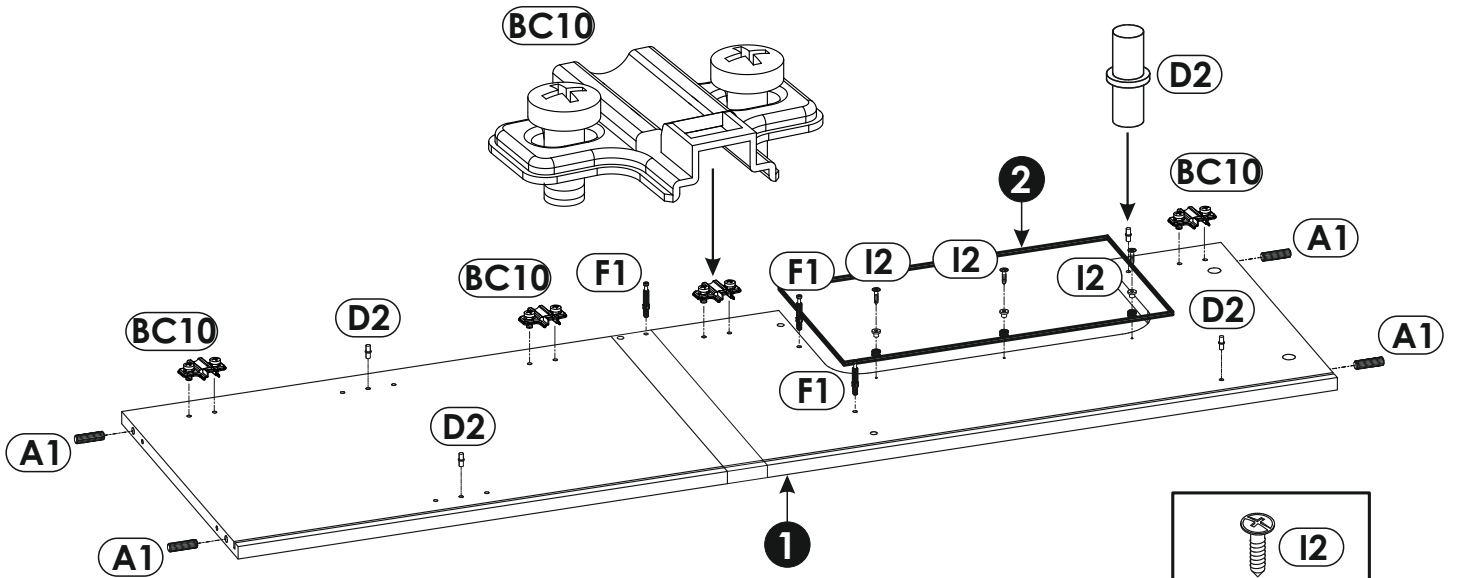
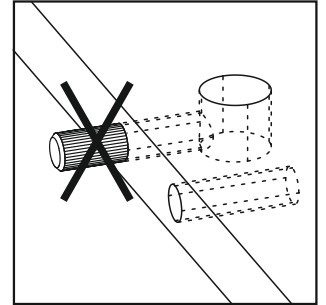
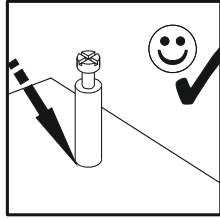
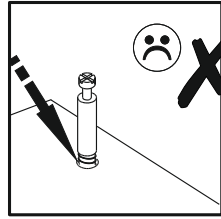
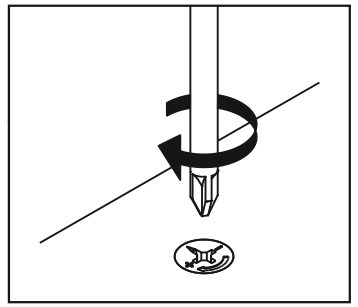
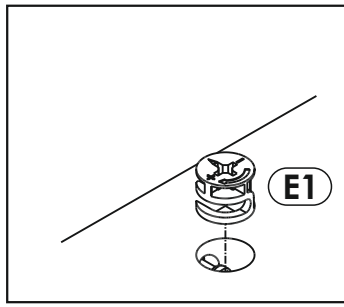
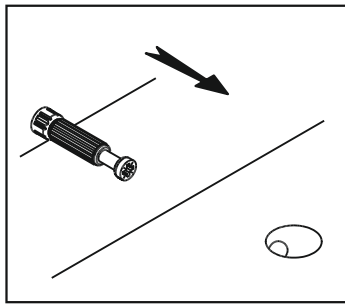
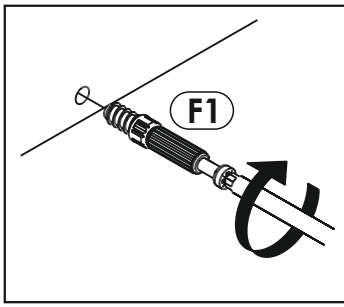
<b>A1</b> x24 $\phi 8 \times 35$ mm 	<b>BC10</b> x7 	<b>BC11</b> x7 
<b>C1</b> x14 4 x 13 mm 	<b>C2</b> x4 5 x 13 mm 	<b>D2</b> x16 
<b>E0a</b> x4 	<b>E0b</b> x12 	<b>E1</b> x16 
<b>F1</b> x16 	<b>G0a</b> x6 	<b>G0b</b> x2 
<b>G1</b> x8 $\phi 7 \times 50$ mm 	<b>I2</b> x19 4 x 16 mm 	<b>I10</b> x5 3,5 x 22 mm 
<b>J6</b> x4 4 x 30 mm 	<b>M</b> x1 	<b>N1</b> x20 3 x 16 mm 
<b>O15</b> x5 $\phi 50 \times 25$ mm 	<b>P13</b> x2 	<b>Q9</b> x1 
<b>R1</b> x10 	<b>R3</b> x18 	<b>R4</b> x10 
<b>T10</b> x1 		



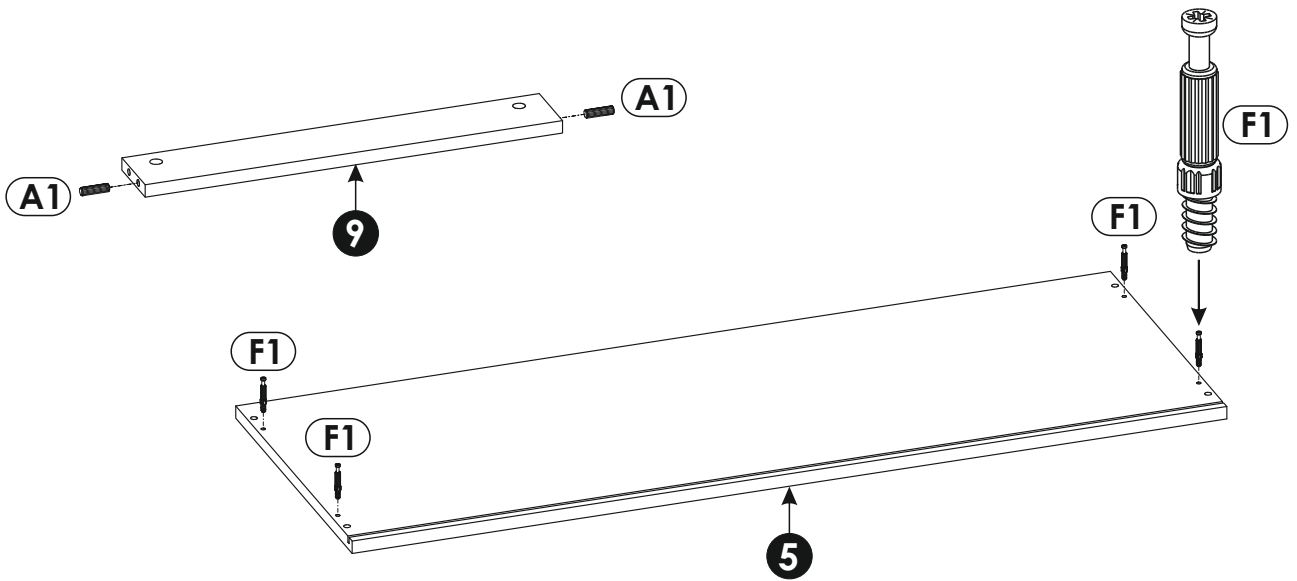
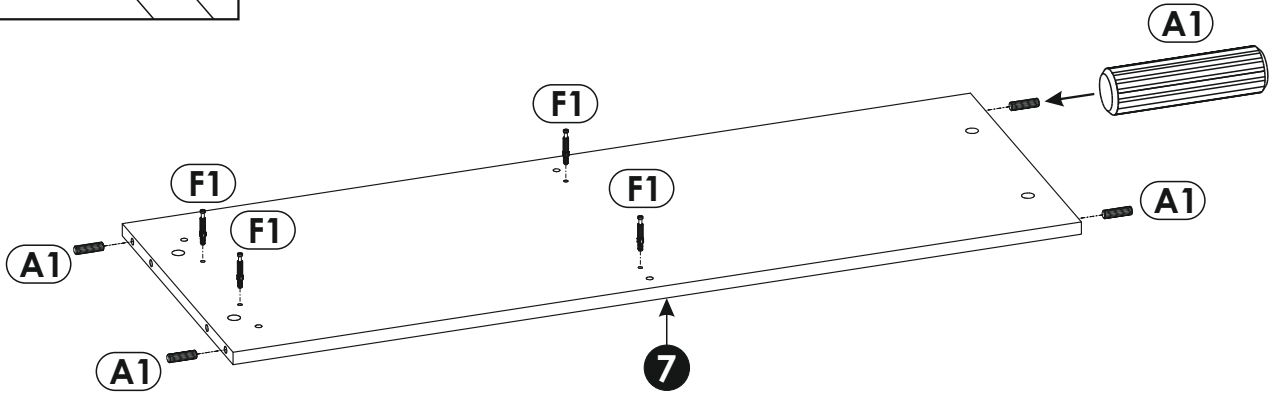
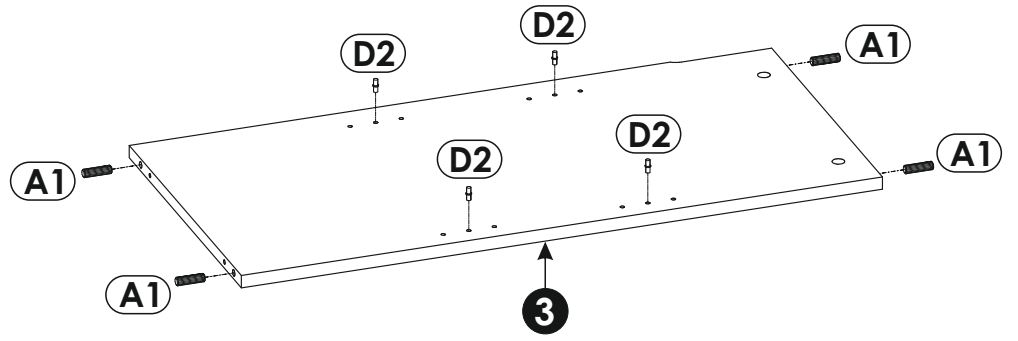
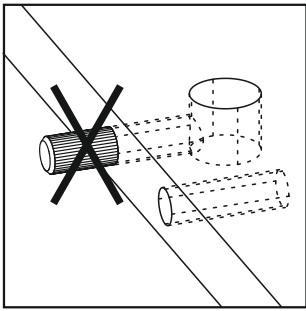


<b>1</b>	1375	400	16	x1	2/2
<b>2</b>	411	224	4	x2	1/2
<b>3</b>	802	385	16	x1	2/2
<b>4</b>	1375	400	16	x1	2/2
<b>5</b>	1094	400	16	x1	2/2
<b>6</b>	1061	370	16	x1	2/2
<b>7</b>	1061	381	16	x1	2/2
<b>8</b>	122	367	16	x1	1/2
<b>9</b>	522	80	16	x1	1/2
<b>10</b>	522	370	16	x3	1/2
<b>11</b>	1094	400	16	x1	2/2
<b>12</b>	543	160	19	x1	1/2
<b>13</b>	527	477	4	x2	1/2
<b>14</b>	543	160	19	x1	1/2
<b>15</b>	543	626	19	x1	1/2
<b>16</b>	543	160	19	x1	1/2
<b>17</b>	543	836	19	x1	1/2
<b>18</b>	96	80	16	x1	1/2
<b>19</b>	300	96	16	x1	1/2
<b>20</b>	300	96	16	x1	1/2
<b>21</b>	419	80	16	x1	1/2
<b>22</b>	433	305	3	x1	1/2
<b>23</b>	455	119	16	x1	1/2
<b>24</b>	572	1076	3	x1	1/2
<b>25</b>	817	538	3	x2	1/2

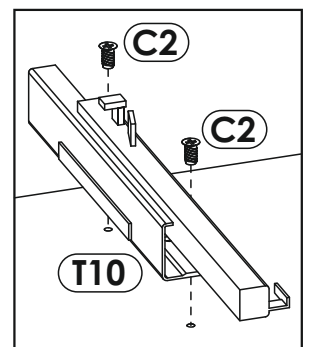
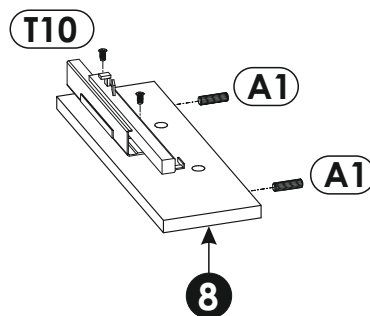
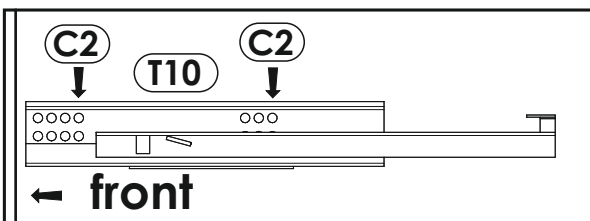




2 ▶

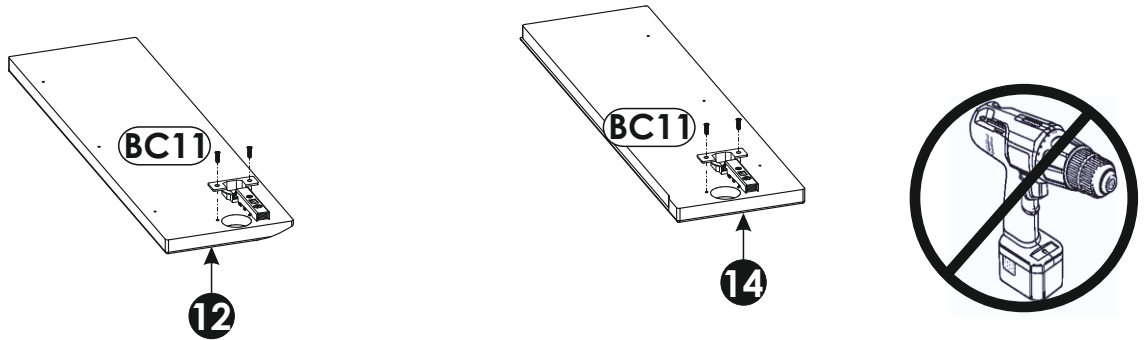
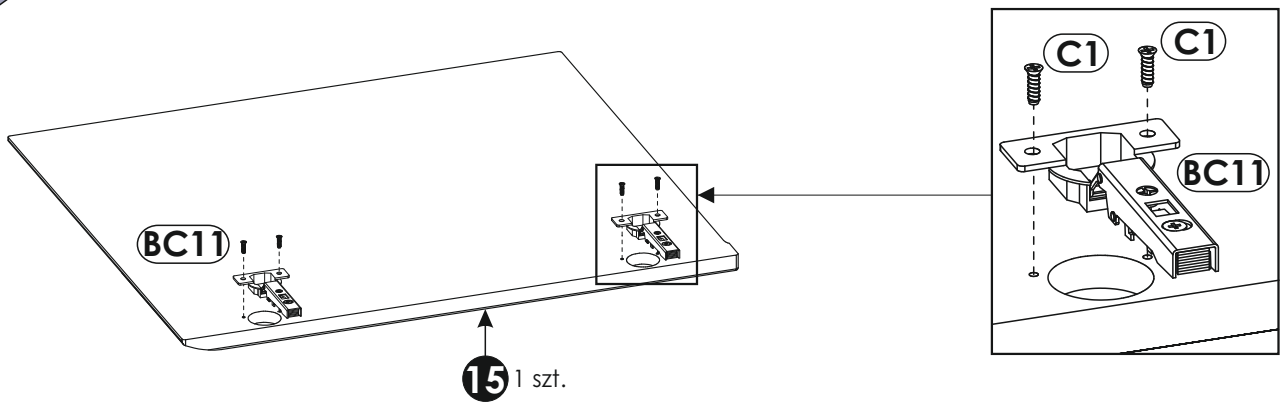


3 ▶

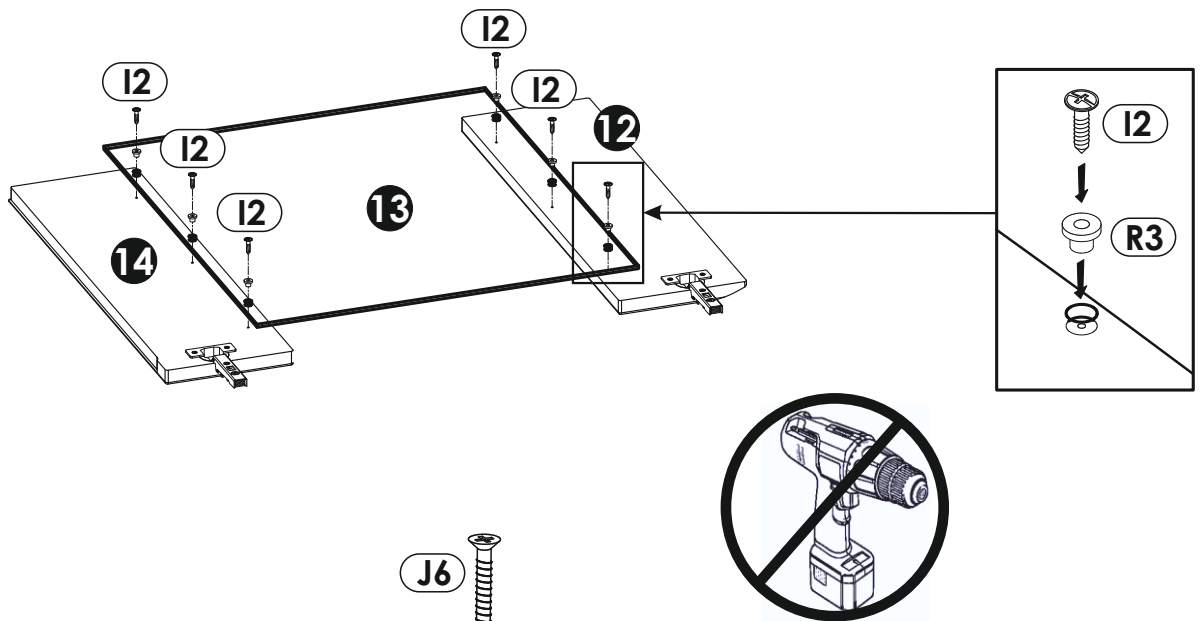




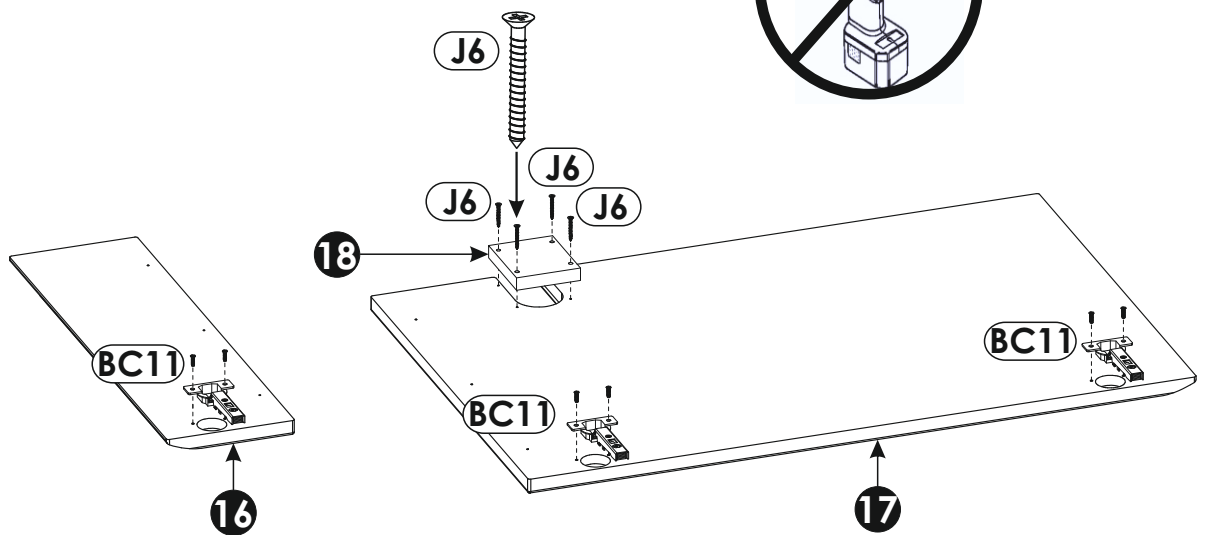
4 ▶



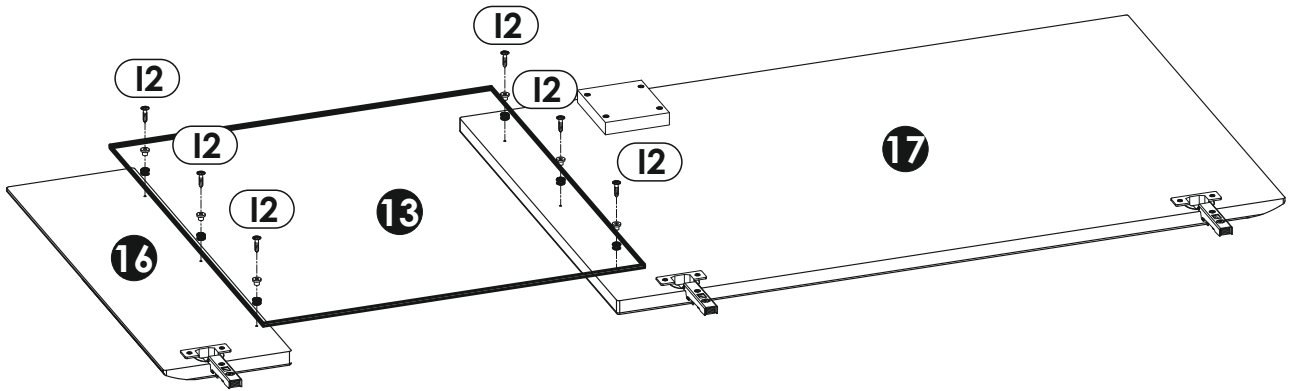
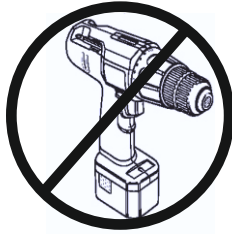
5 ▶



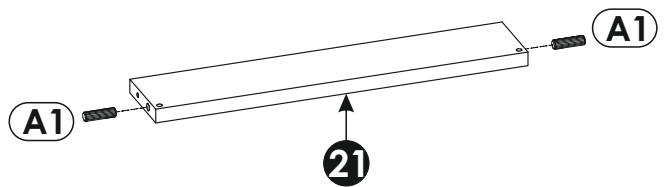
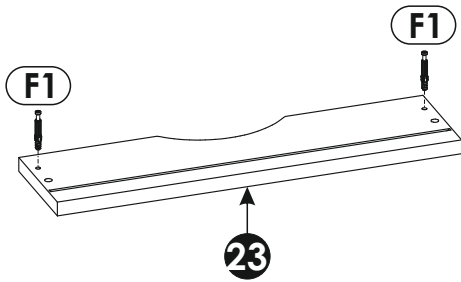
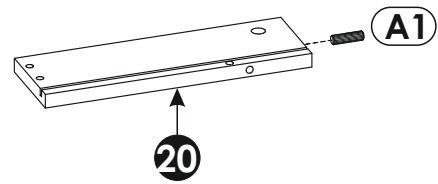
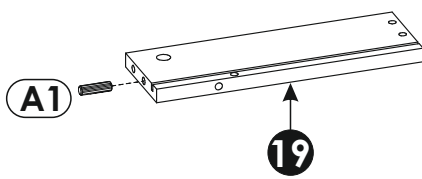
6 ▶



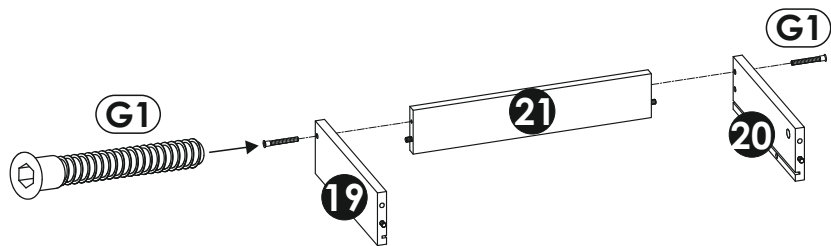
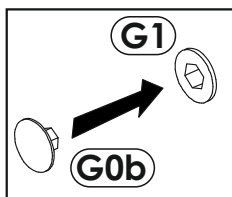
7 ▶



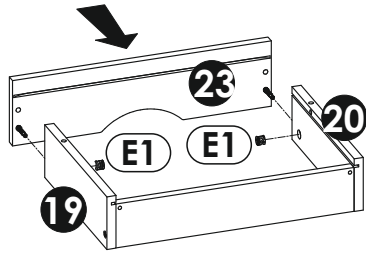
8 ▶



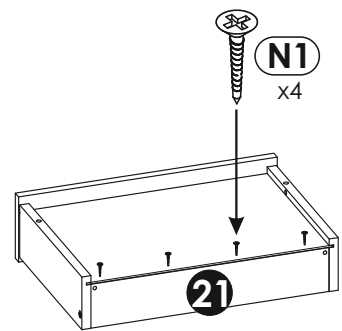
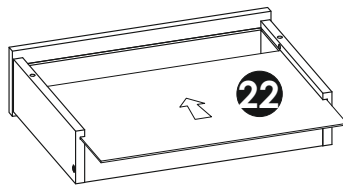
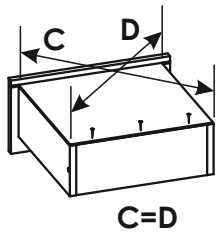
9 ▶



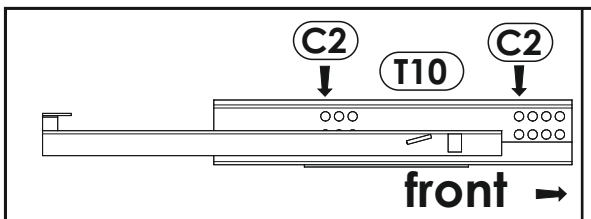
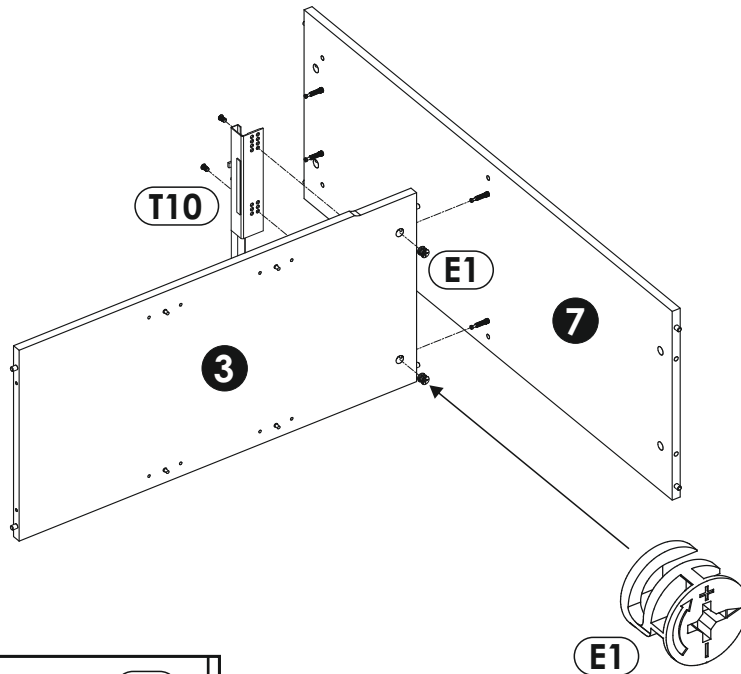
10 ▶



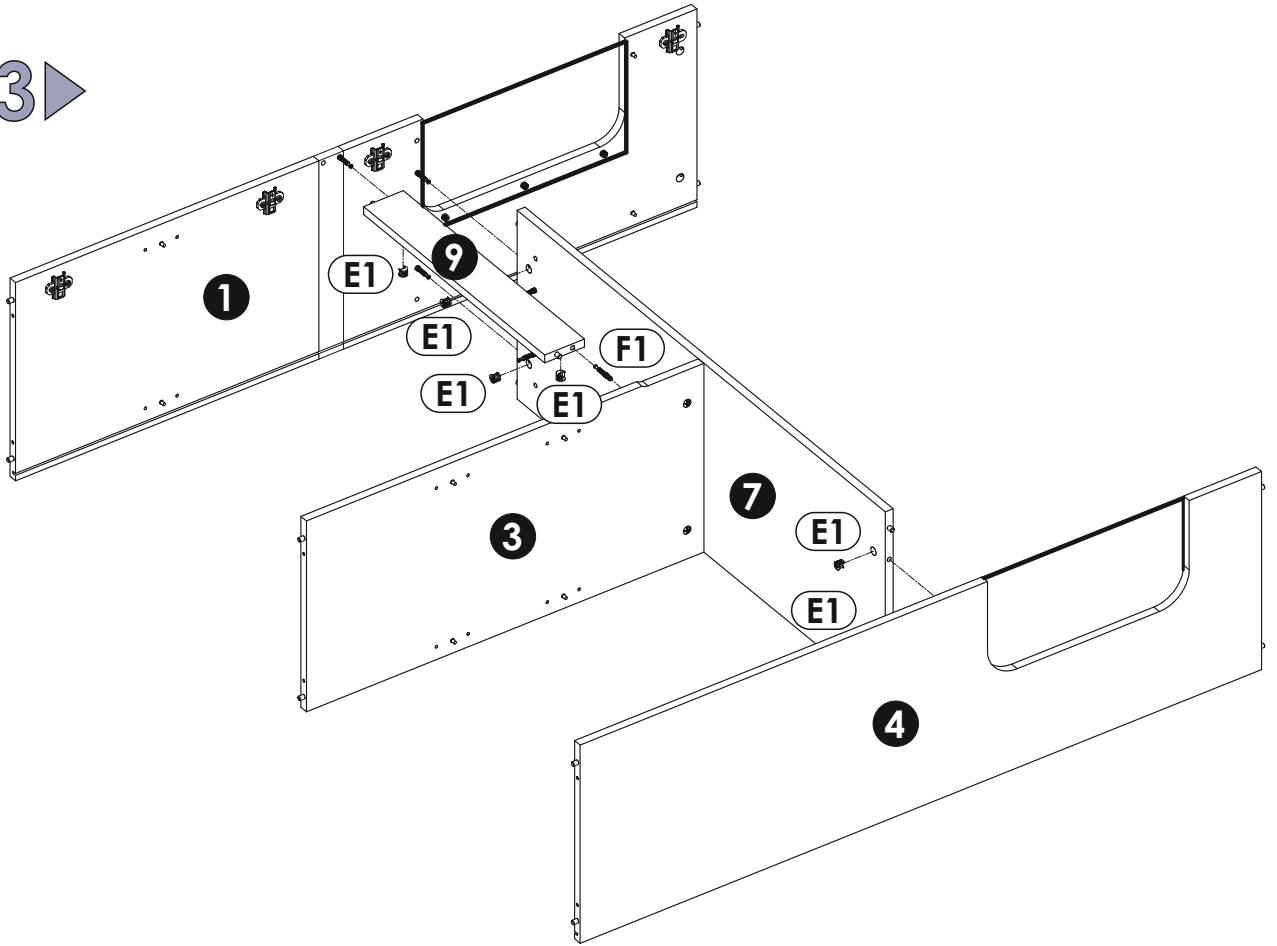
11 ▶



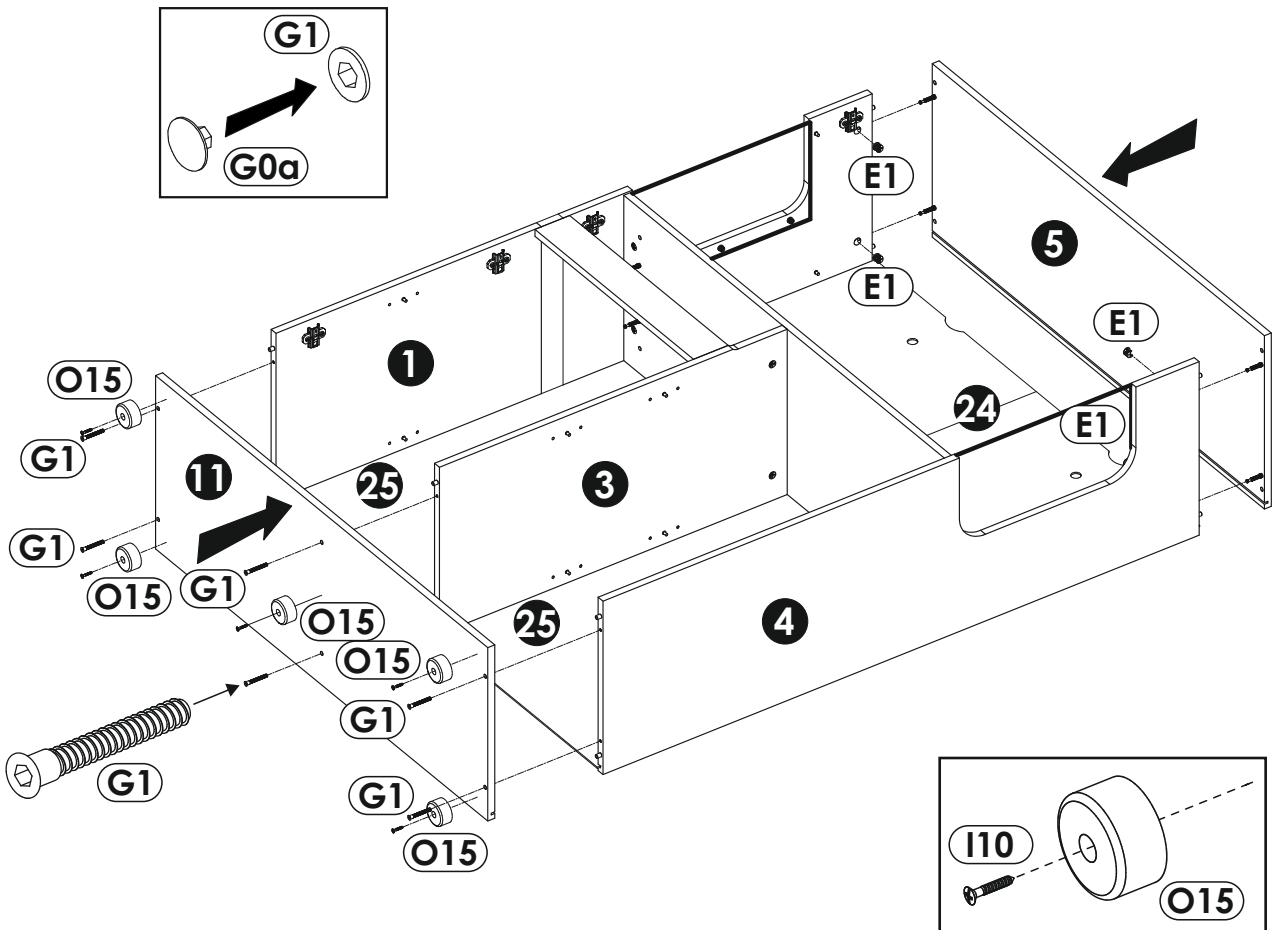
12 ▶



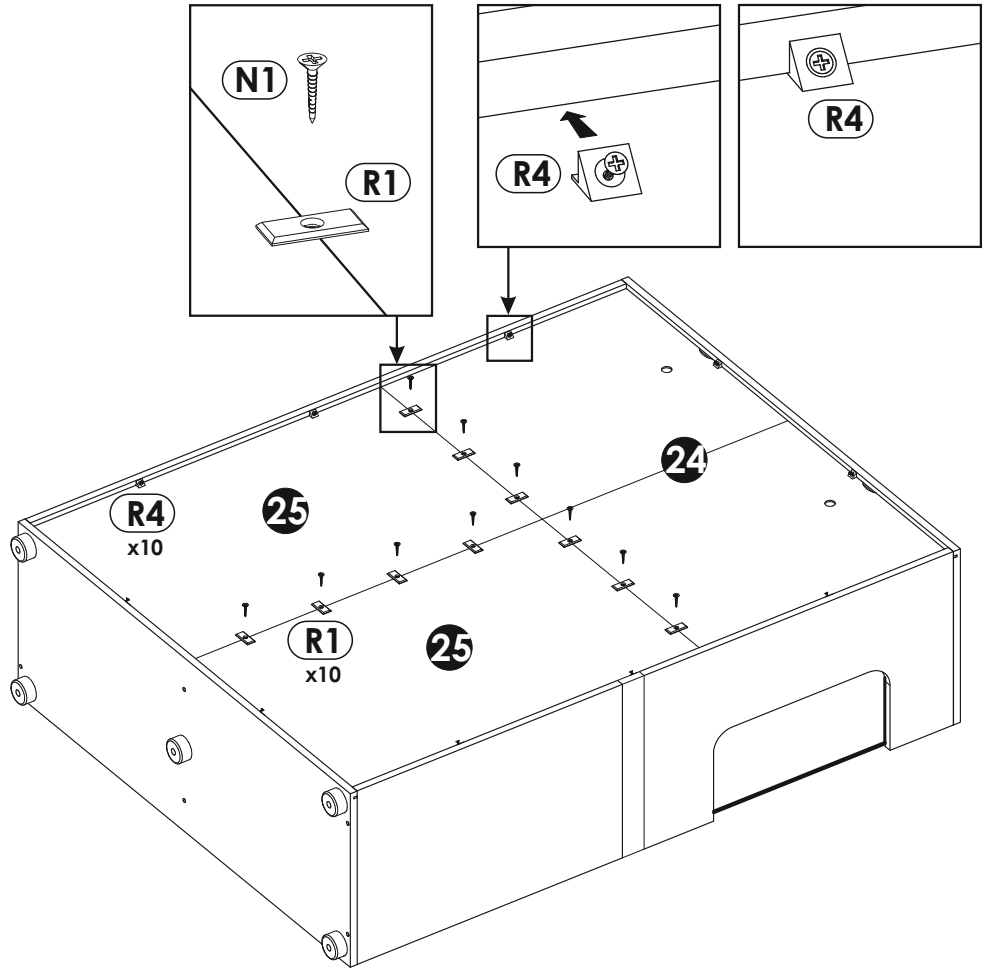
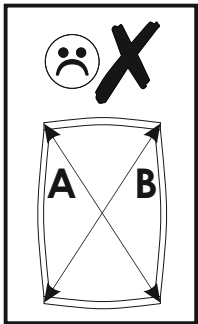
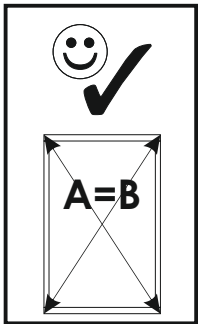
13 ▶



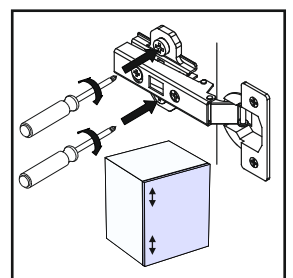
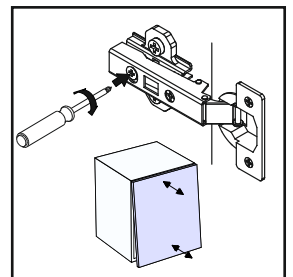
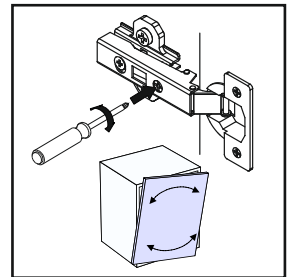
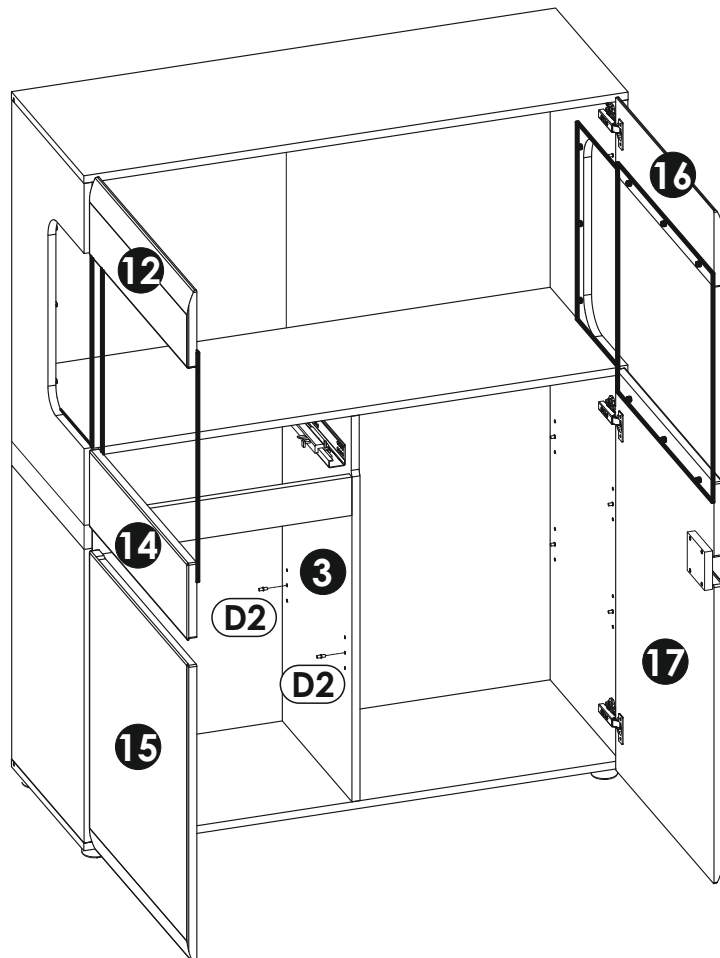
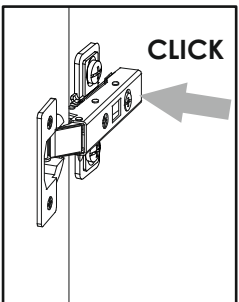
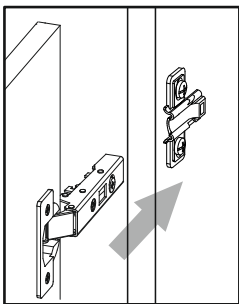
14 ▶



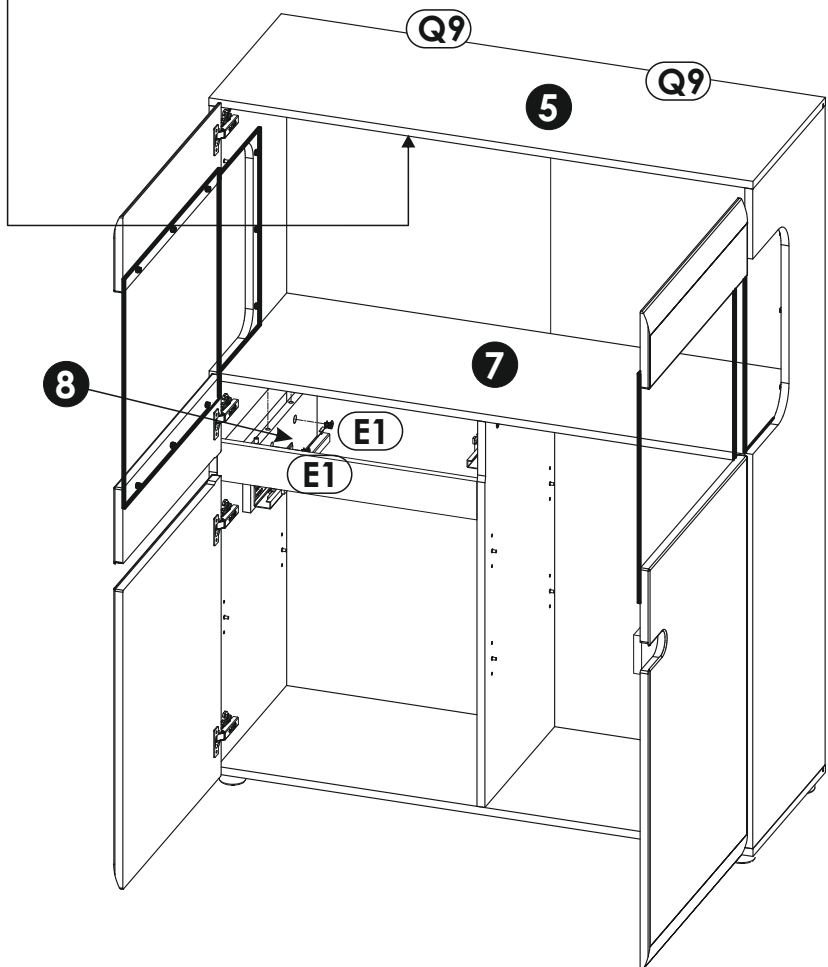
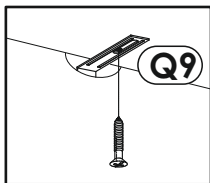
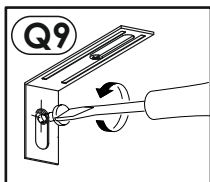
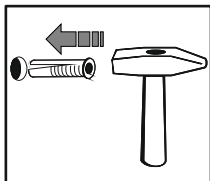
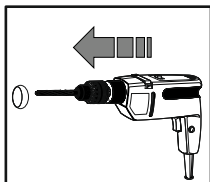
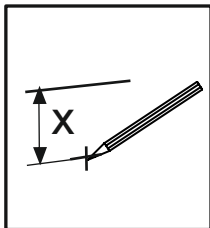
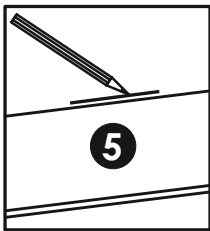
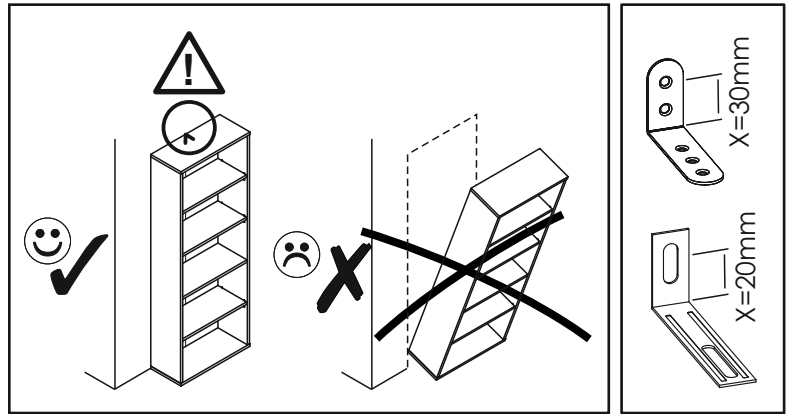
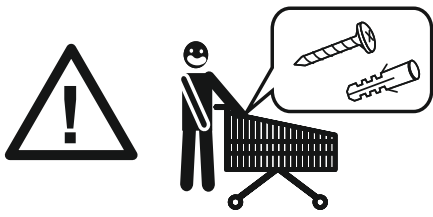
# 15 ▶

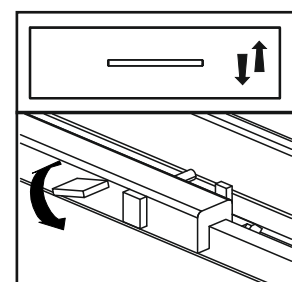
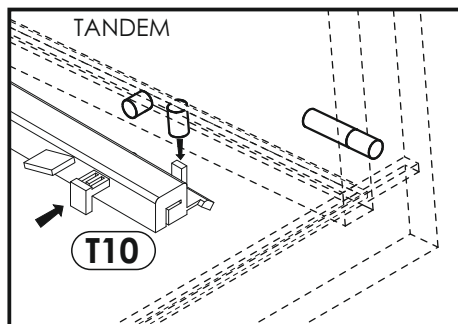
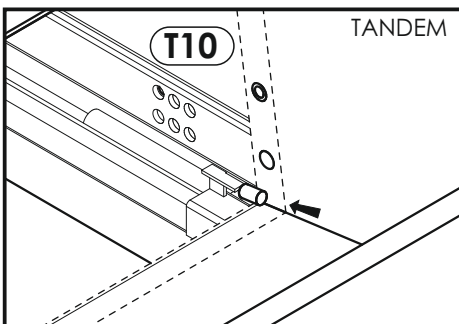
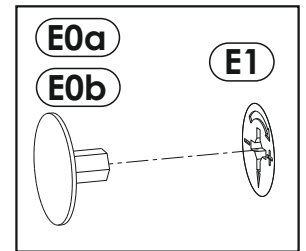
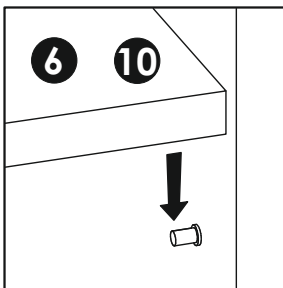
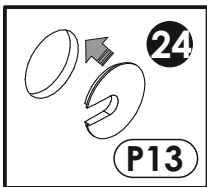
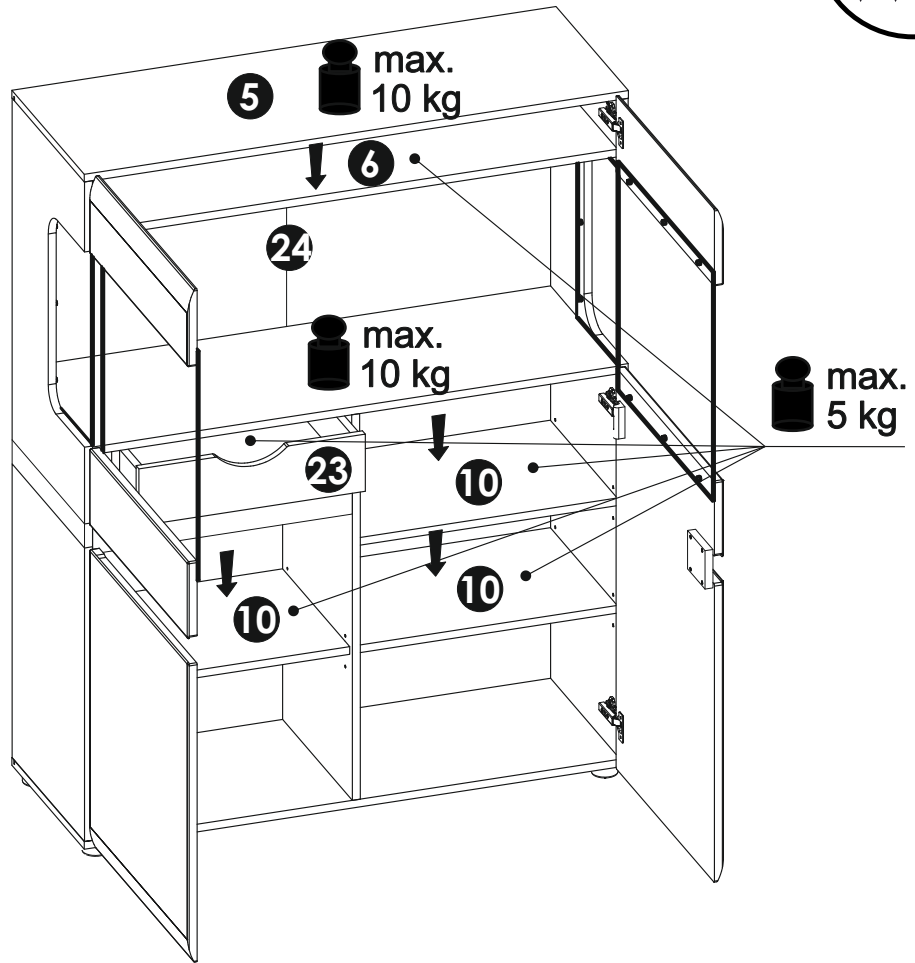


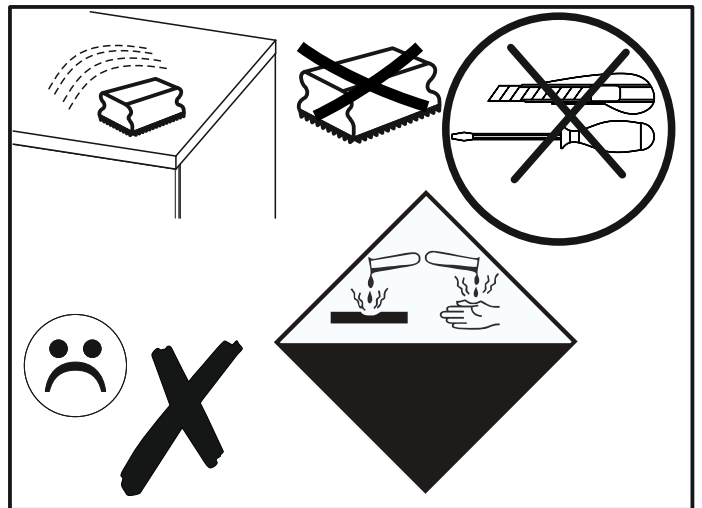
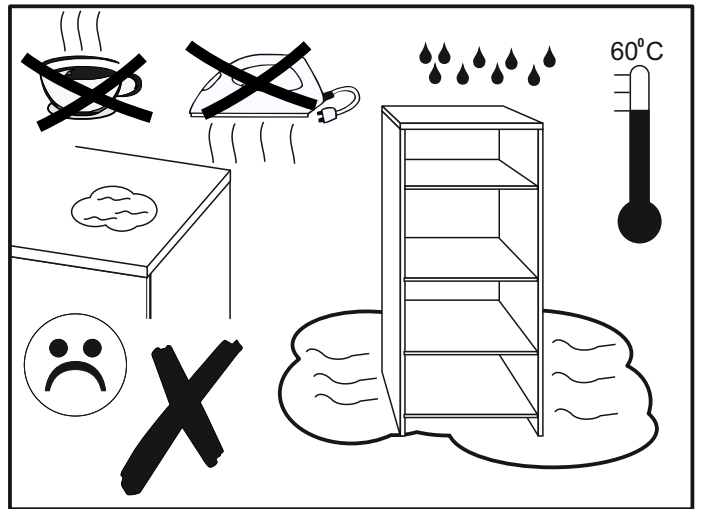
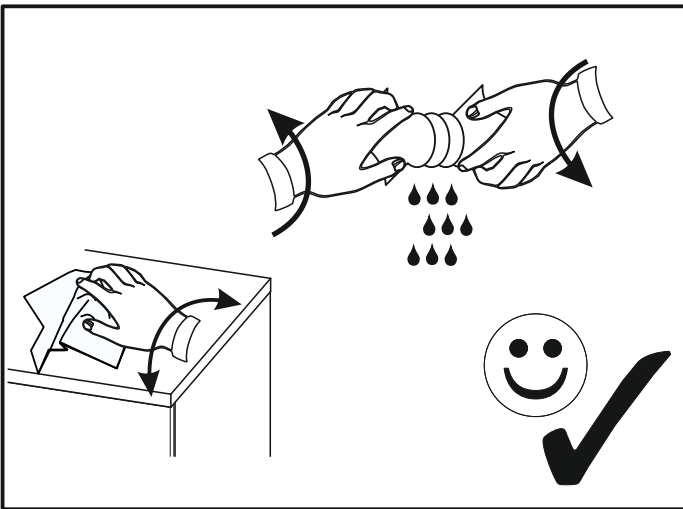
# 16 ▶



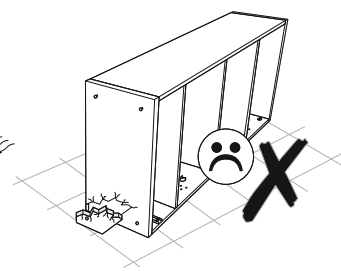
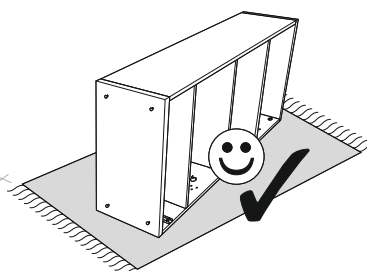
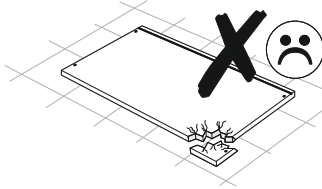
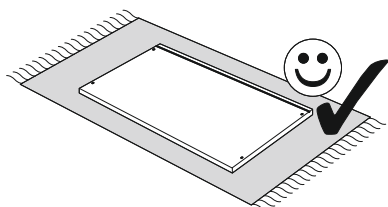
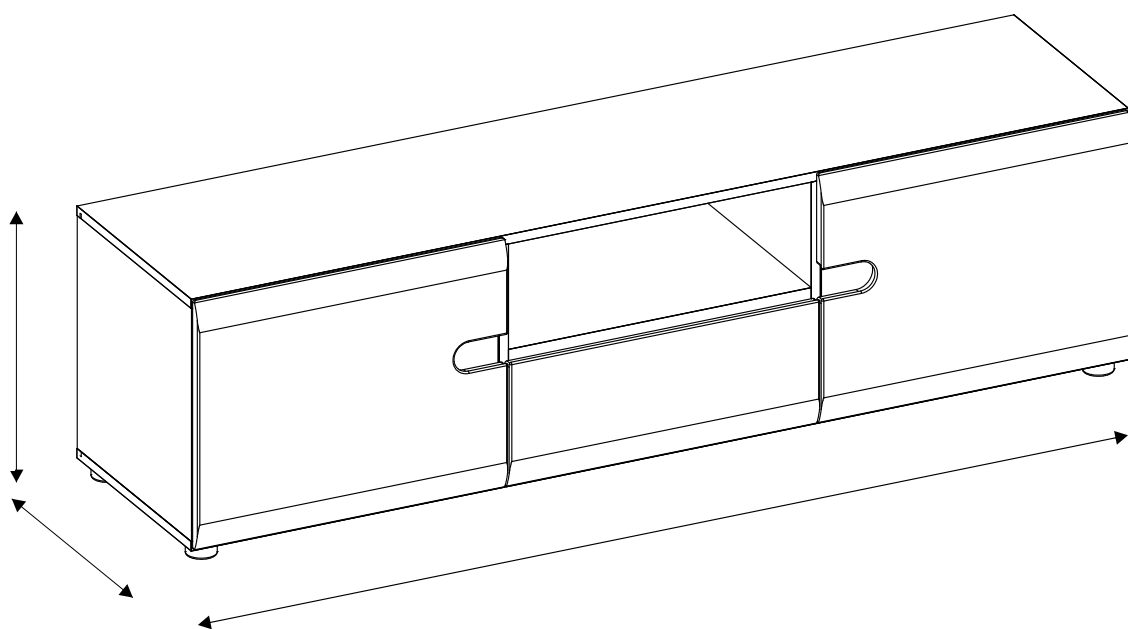
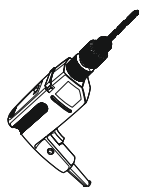
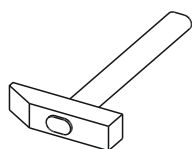
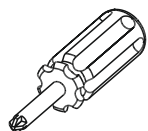
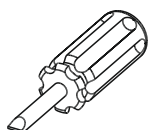
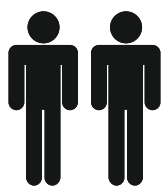
17 ▶

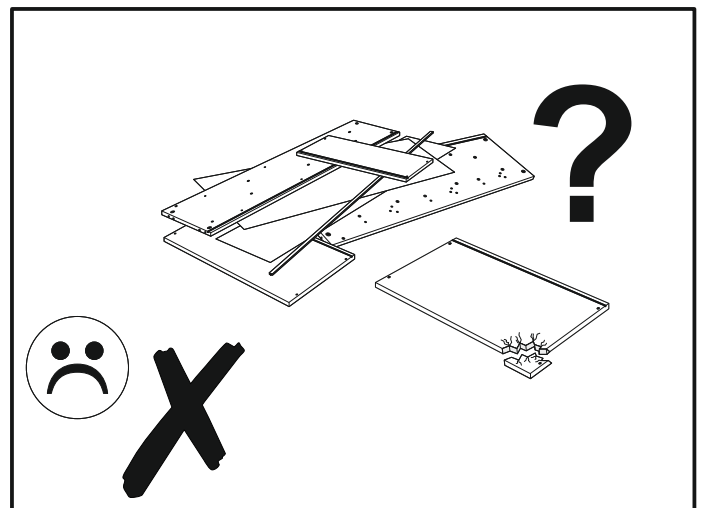
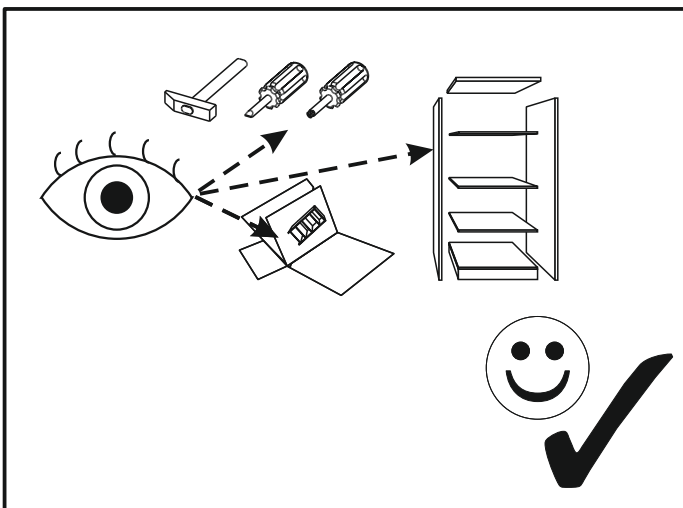
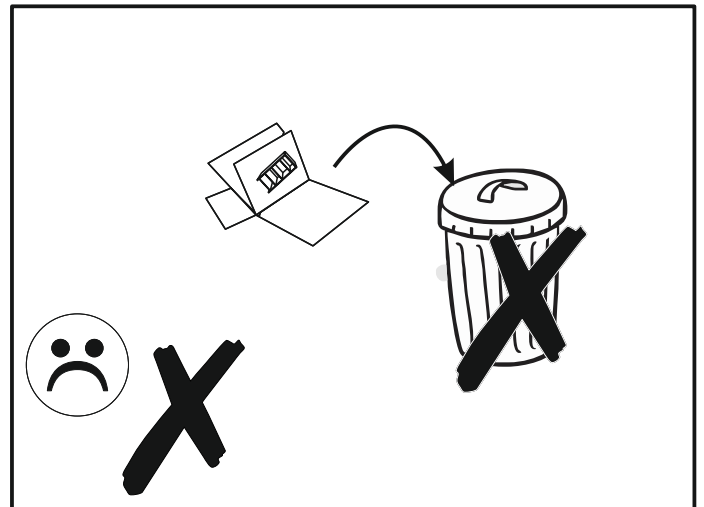
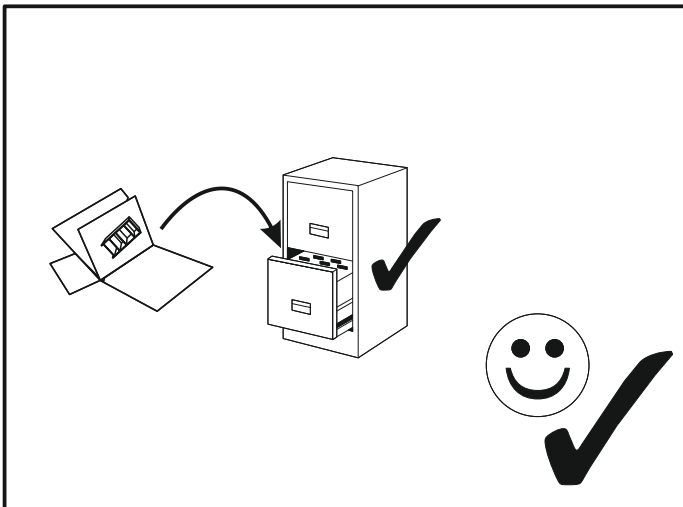
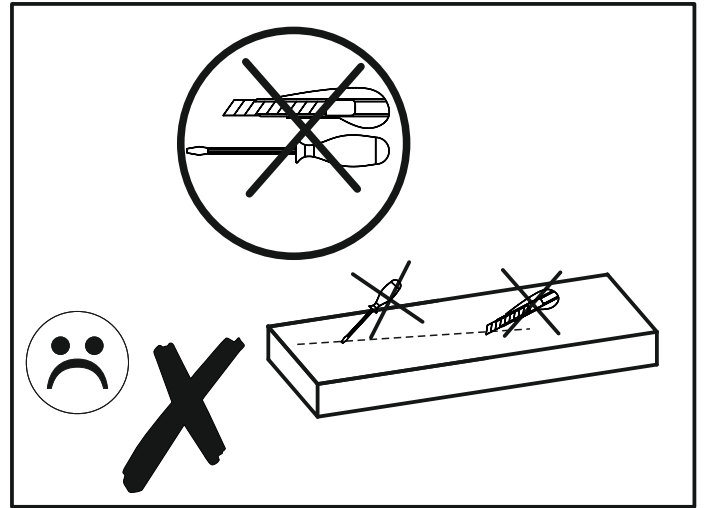
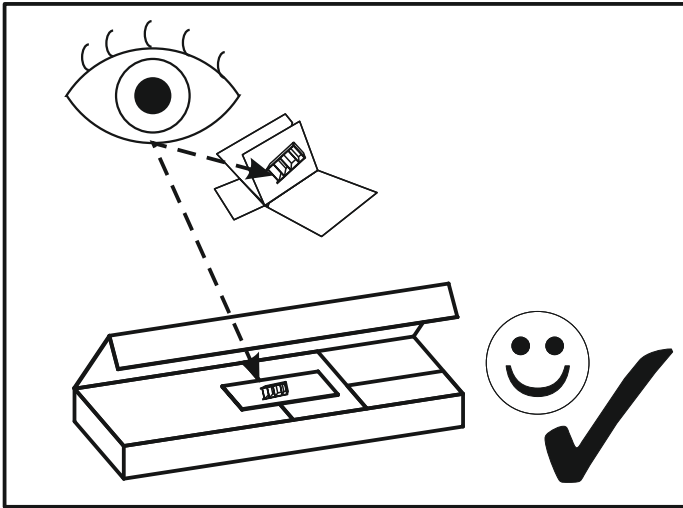


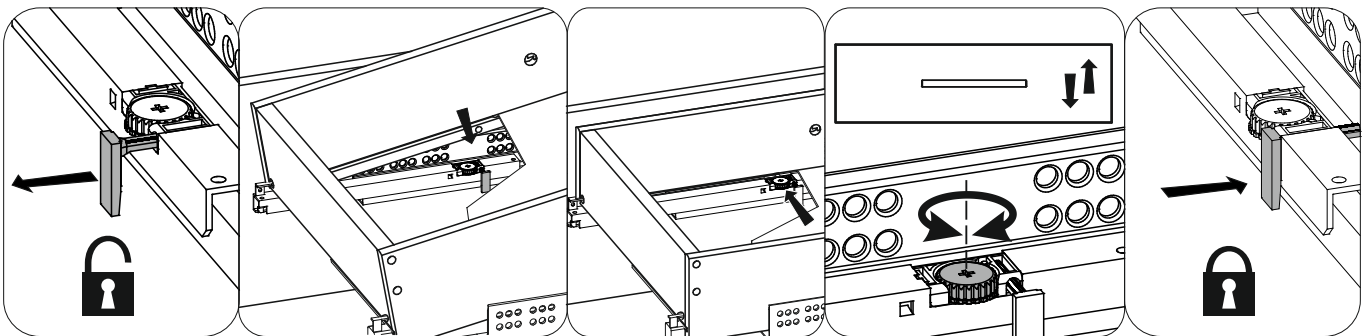
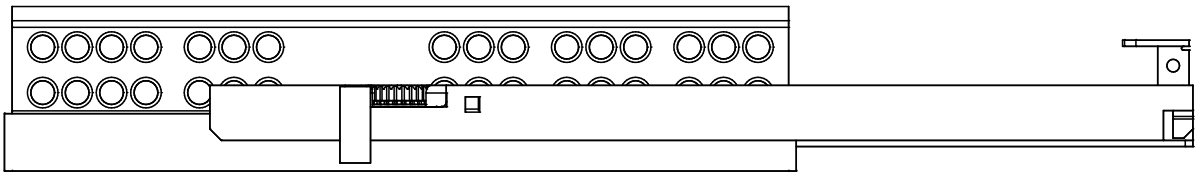
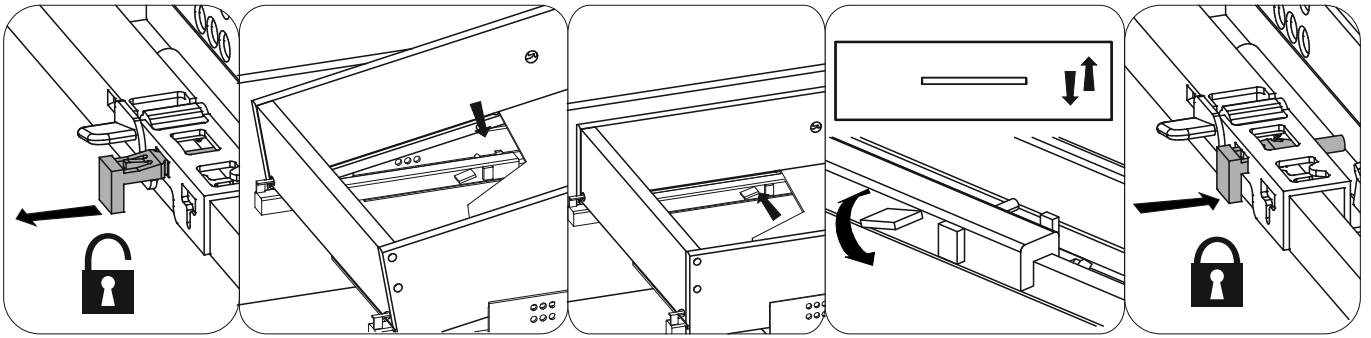
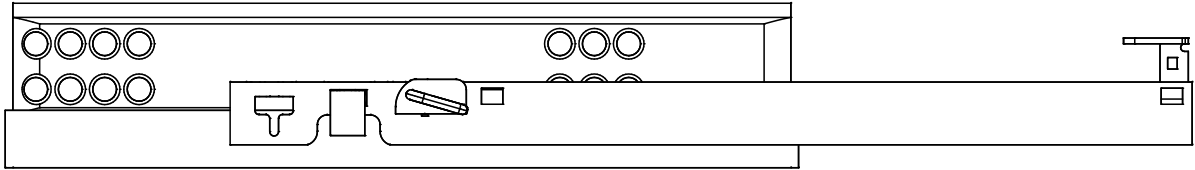
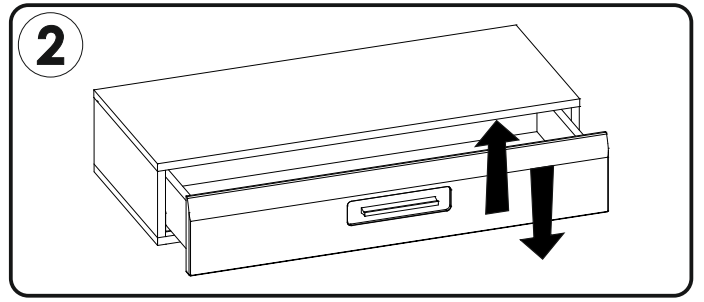
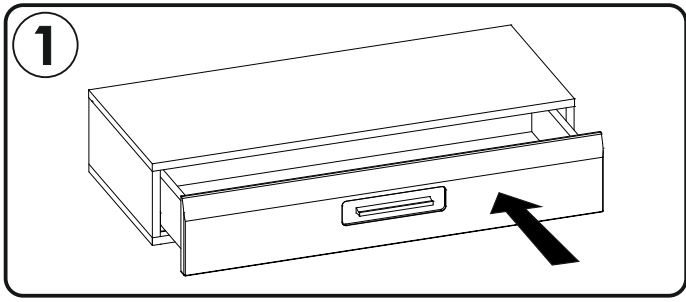



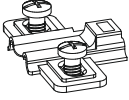
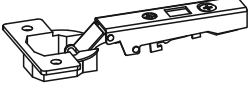



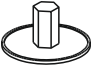
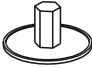




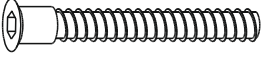


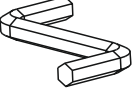

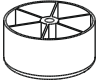
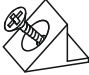
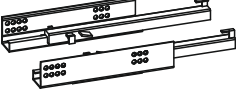


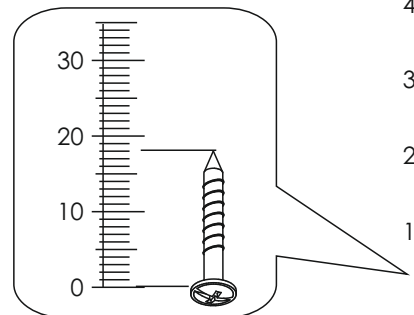
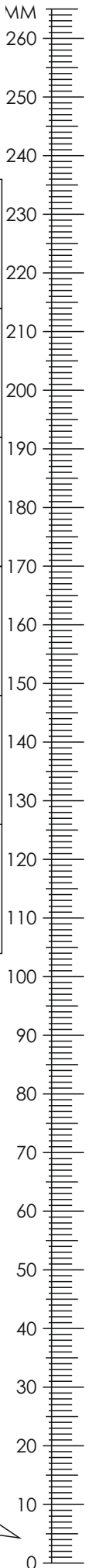


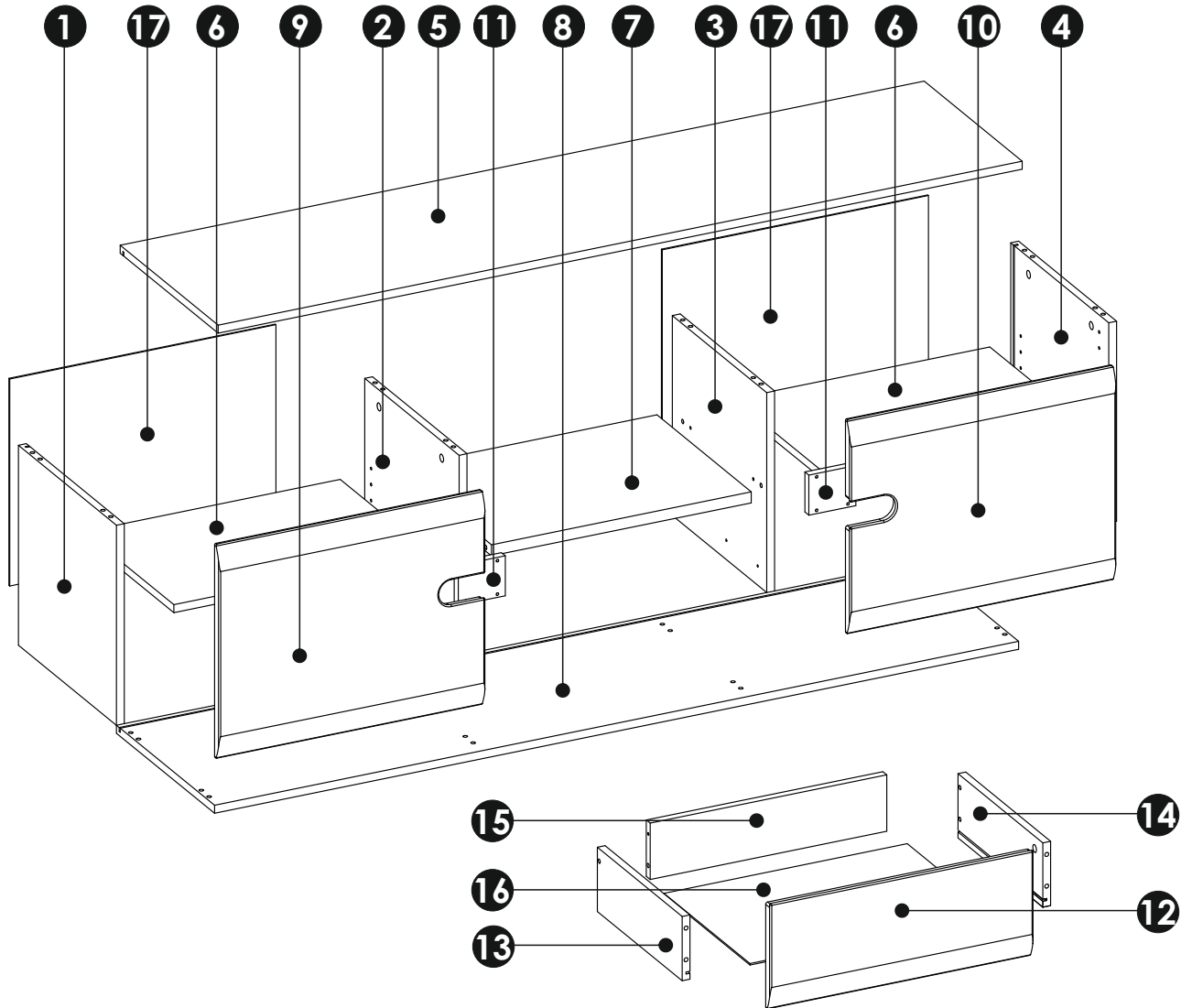
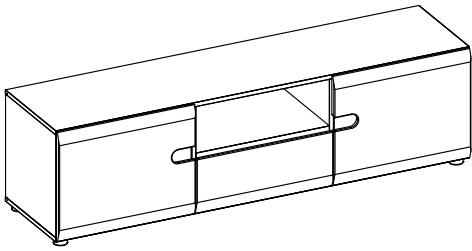






<b>A1</b> x24 $\phi 8 \times 35$ mm 	<b>BC10</b> x4 	<b>BC11</b> x4 
<b>C1</b> x8 4 x 13 mm 	<b>C2</b> x4 5 x 13 mm 	<b>D2</b> x8 
<b>E0a</b> x4 	<b>E0b</b> x10 	<b>E1</b> x14 
<b>F1</b> x14 	<b>G0a</b> x8 	<b>G0b</b> x2 
<b>G1</b> x10 $\phi 7 \times 50$ mm 	<b>I10</b> x6 3,5 x 22 mm 	<b>J6</b> x8 4 x 30 mm 
<b>M</b> x1 	<b>N1</b> x10 3 x 16 mm 	<b>O15</b> x6 $\phi 50 \times 25$ mm 
<b>R4</b> x10 	<b>T11</b> x1 	

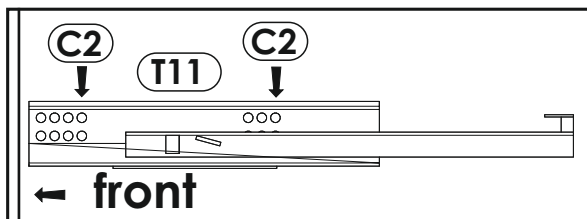
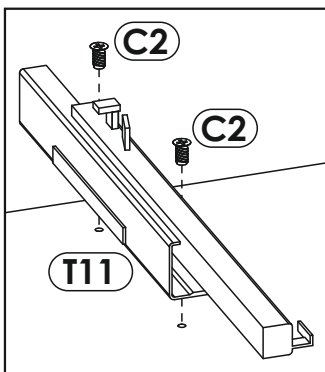
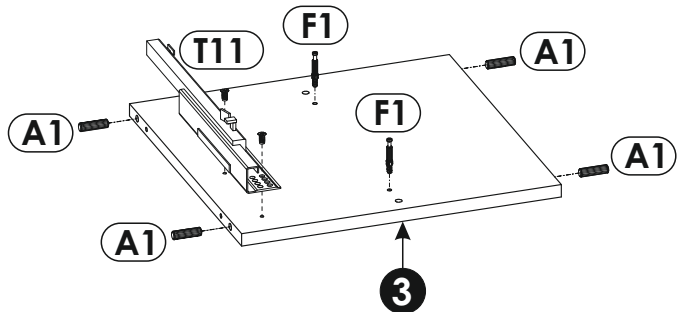
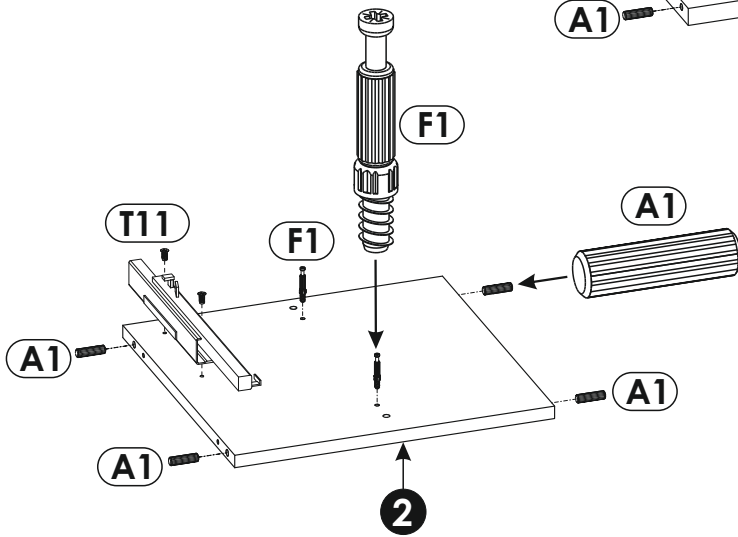
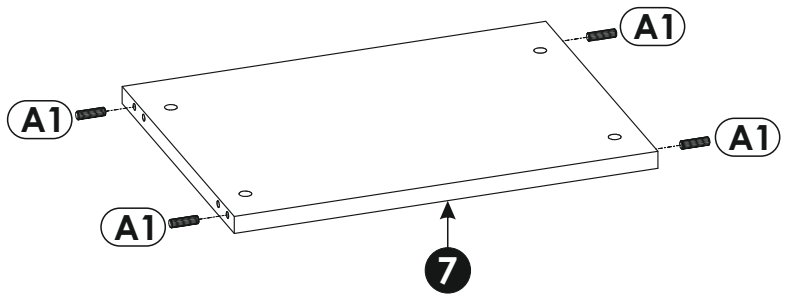
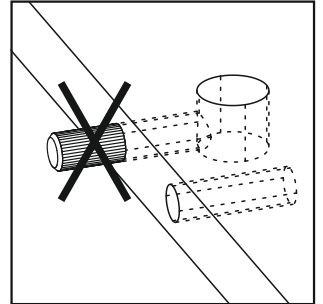
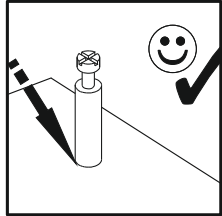
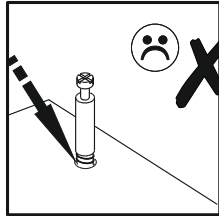




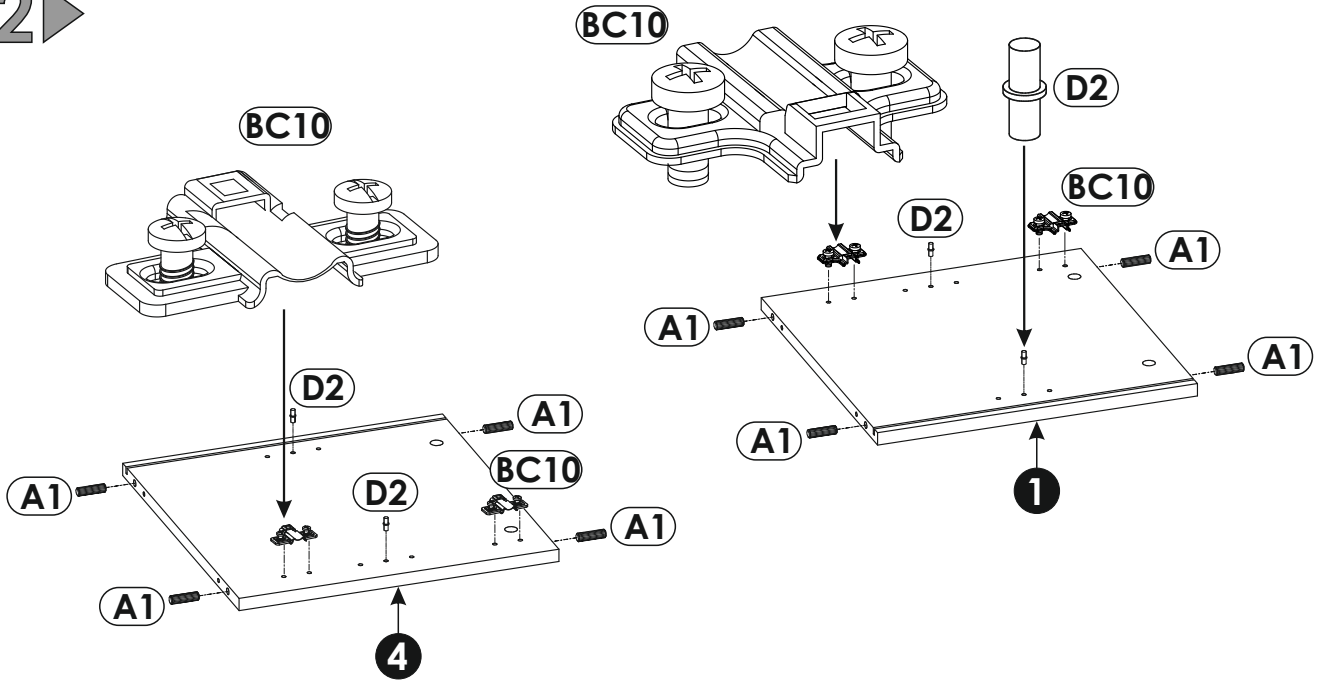
<b>1</b>	400	400	16	x1	2/2
<b>2</b>	400	385	16	x1	2/2
<b>3</b>	400	385	16	x1	2/2
<b>4</b>	400	400	16	x1	2/2
<b>5</b>	1640	400	16	x1	2/2
<b>6</b>	522	365	16	x2	1/2

<b>7</b>	530	385	16	x1	1/2
<b>8</b>	1640	400	16	x1	2/2
<b>9</b>	543	428	19	x1	1/2
<b>10</b>	543	428	19	x1	1/2
<b>11</b>	96	80	16	x2	1/2
<b>12</b>	543	218	19	x1	1/2

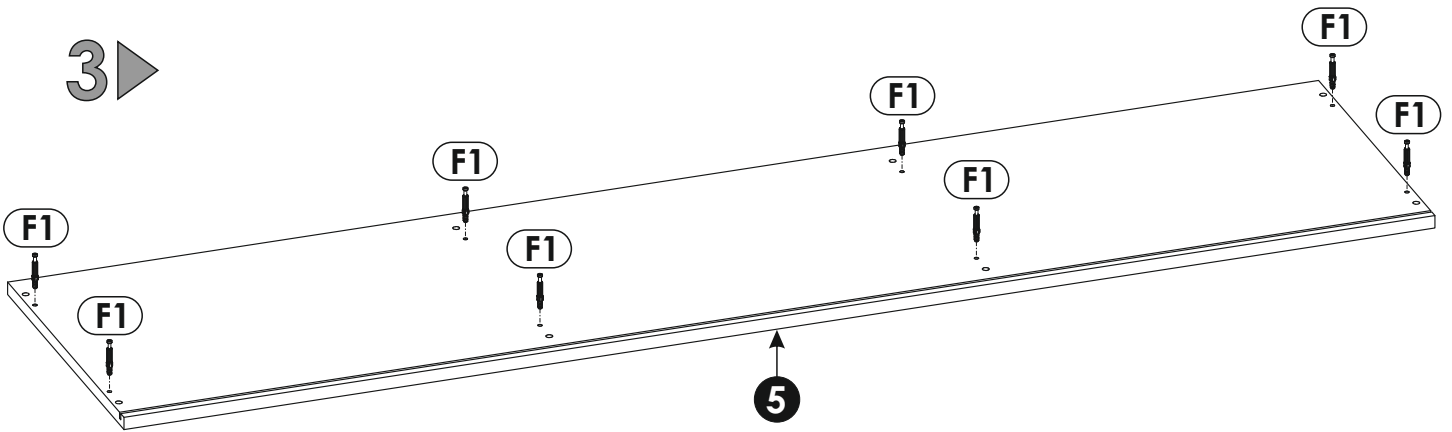
<b>13</b>	350	130	16	x1	1/2
<b>14</b>	350	130	16	x1	1/2
<b>15</b>	488	114	16	x1	1/2
<b>16</b>	502	355	3	x1	1/2
<b>17</b>	414	543	3	x2	1/2



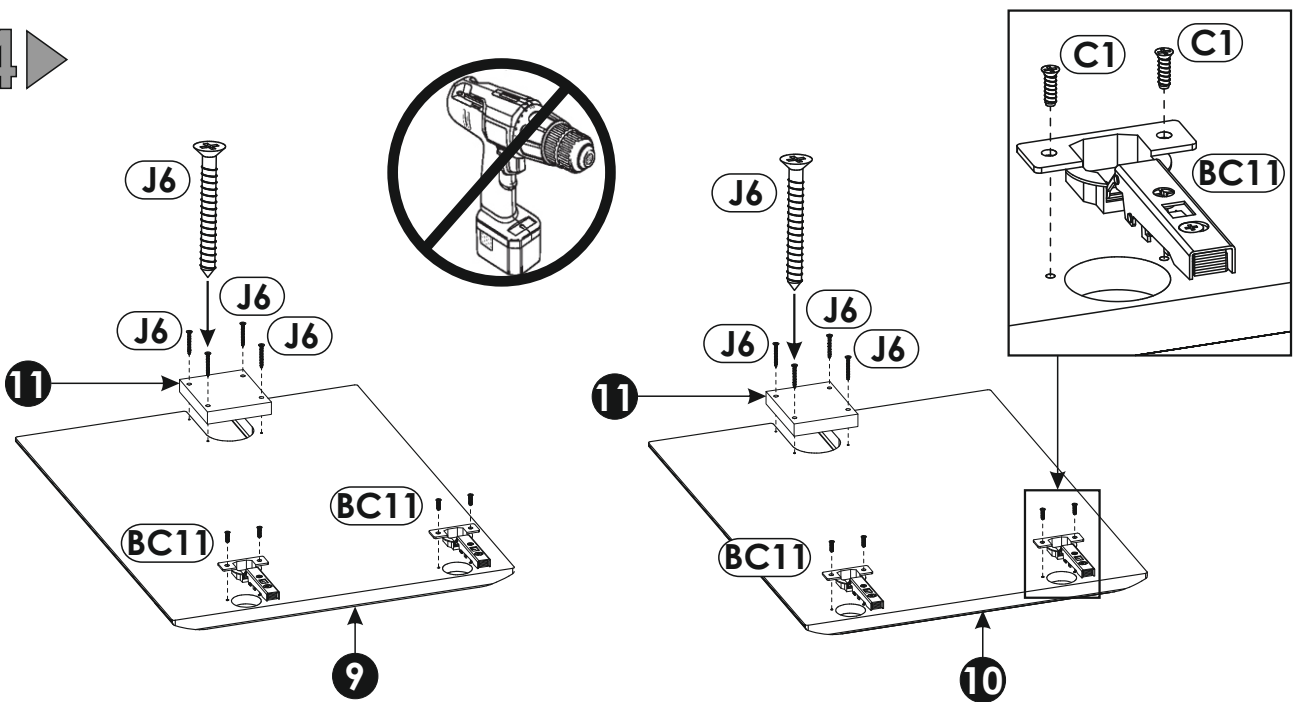
2 ▶



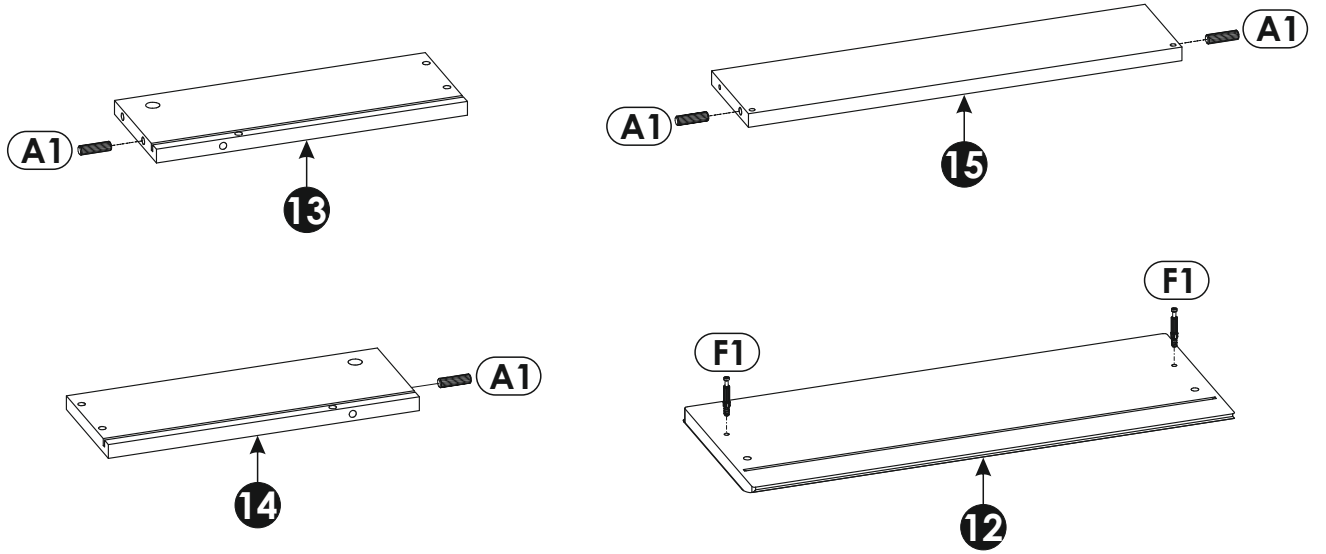
3 ▶



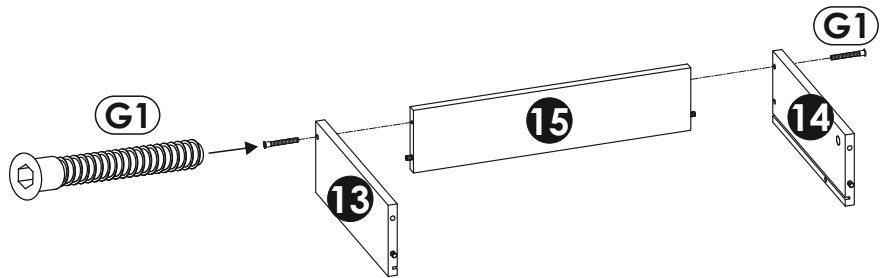
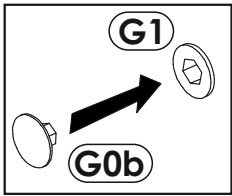
4 ▶



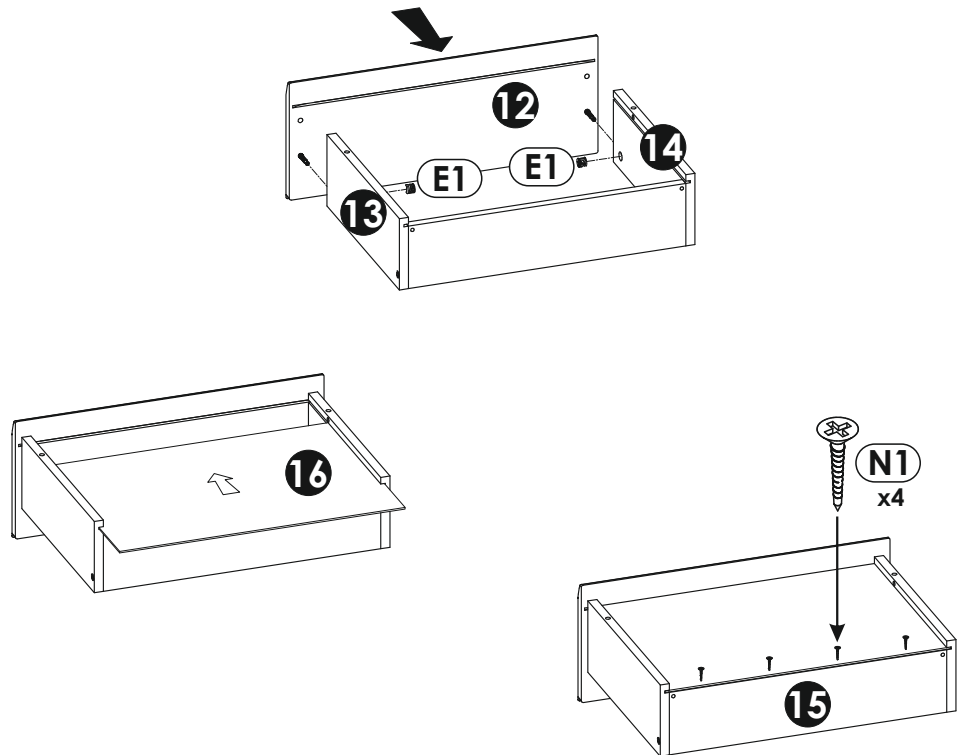
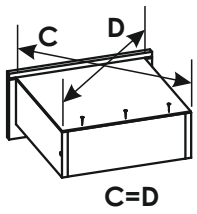
5 ▶



6 ▶

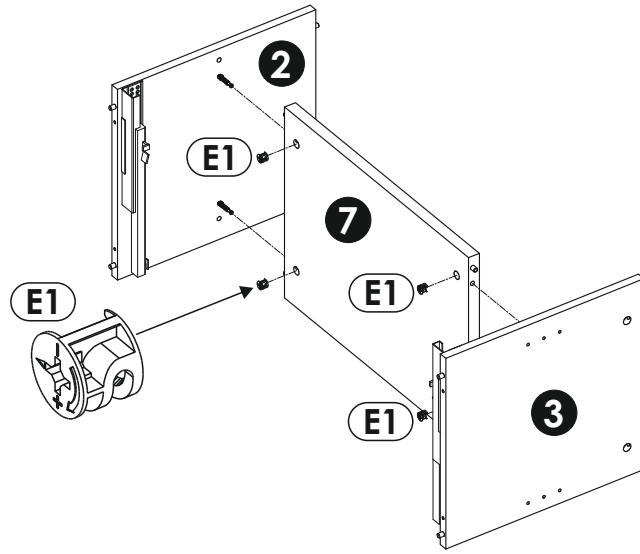


7 ▶

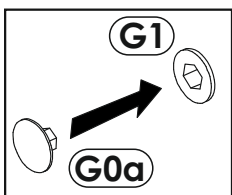
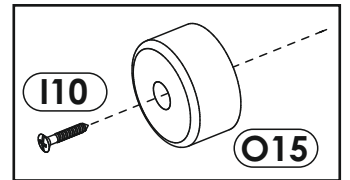
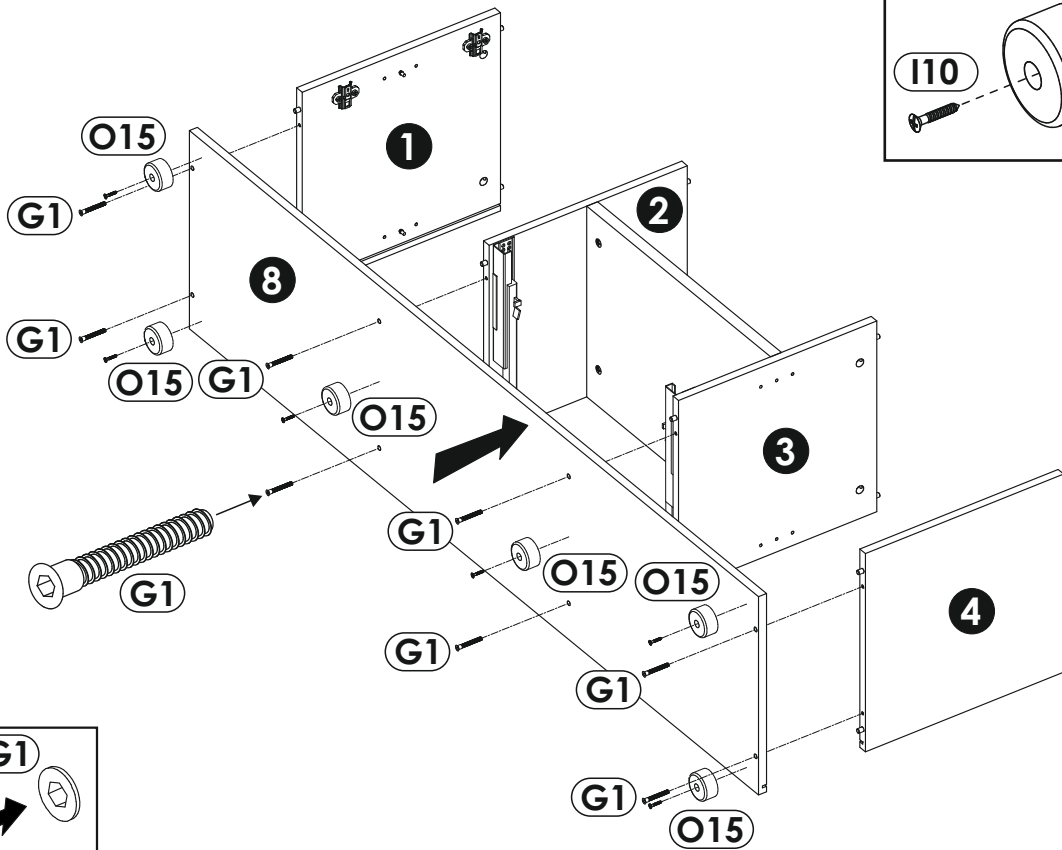




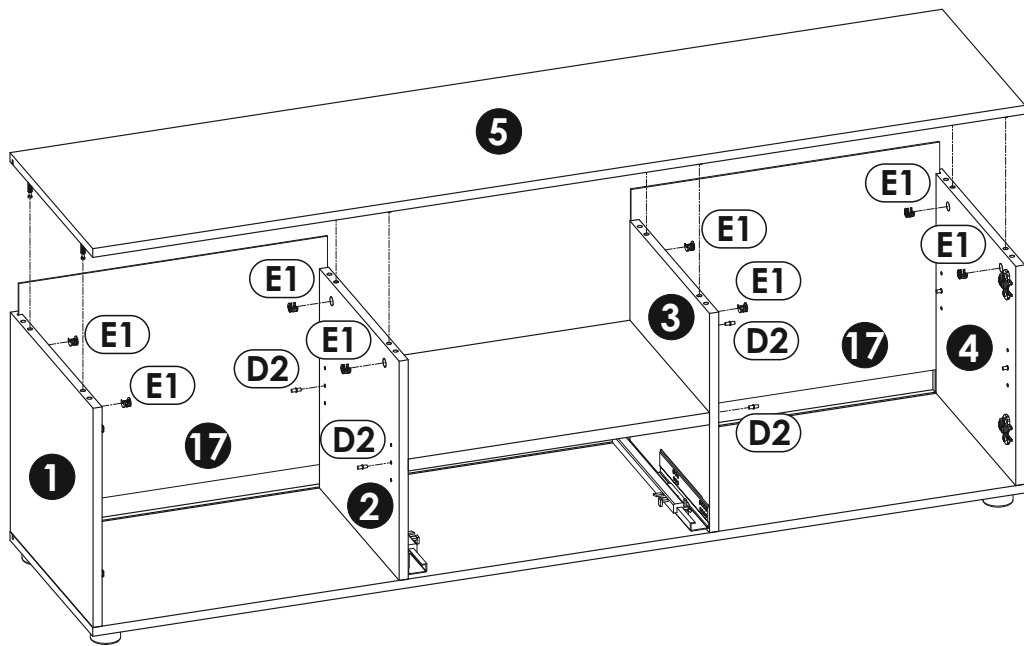
8 ▶



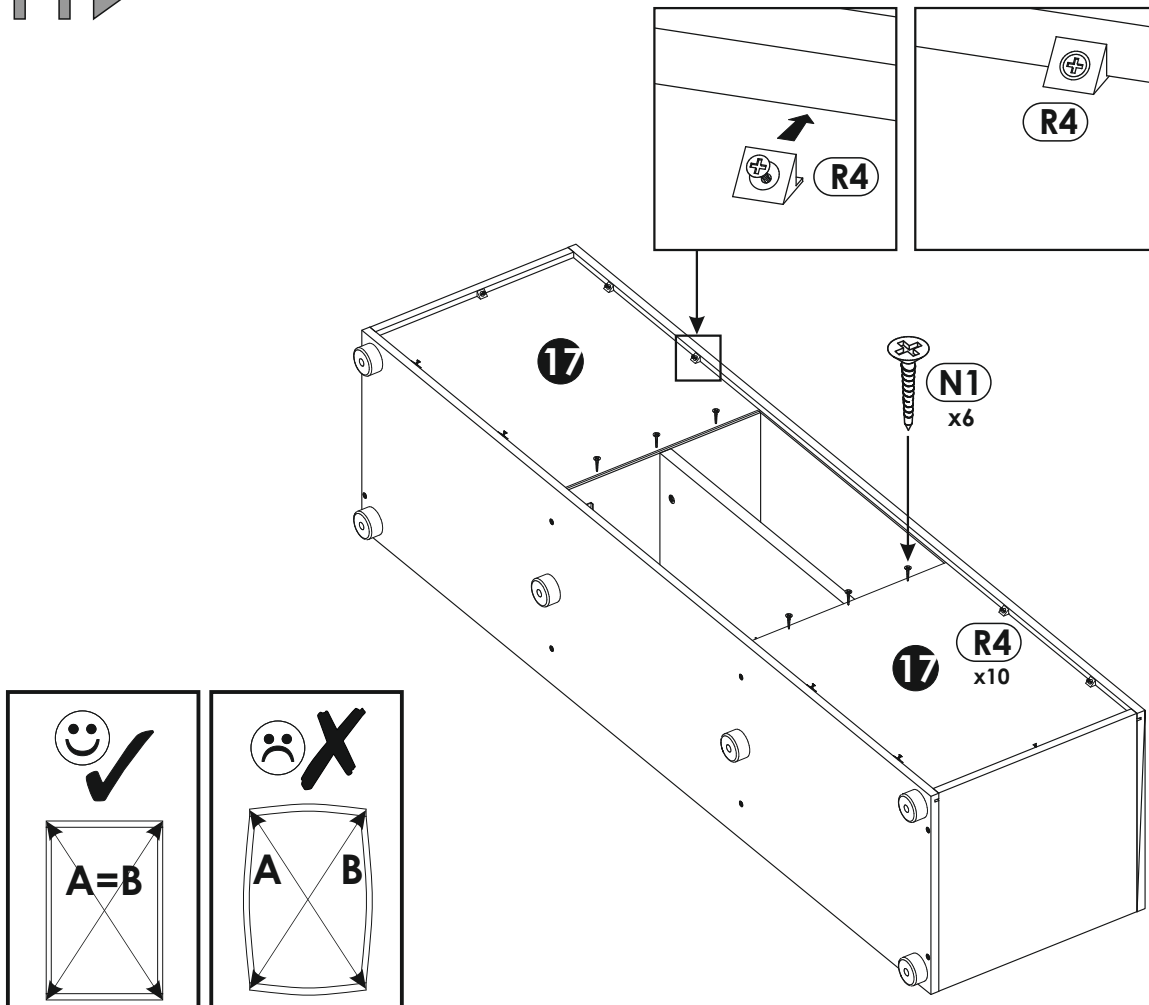
9 ▶



10 ▶



11 ▶



# 12 ▶

