
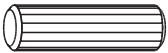

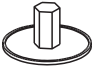






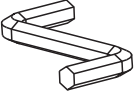


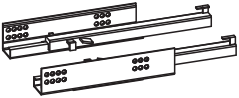
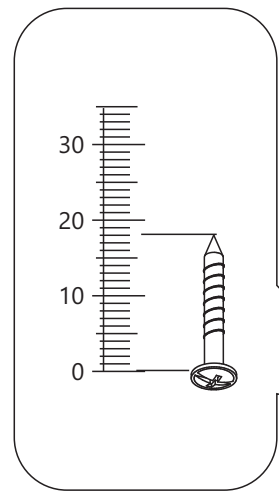
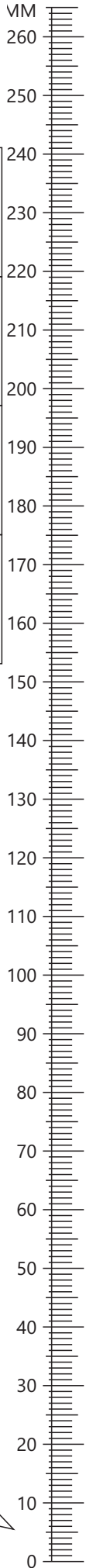
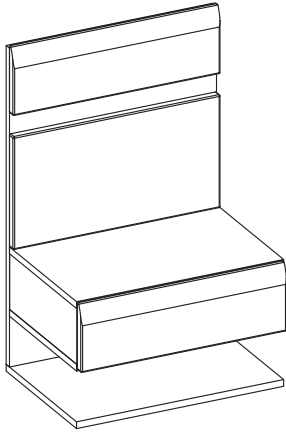
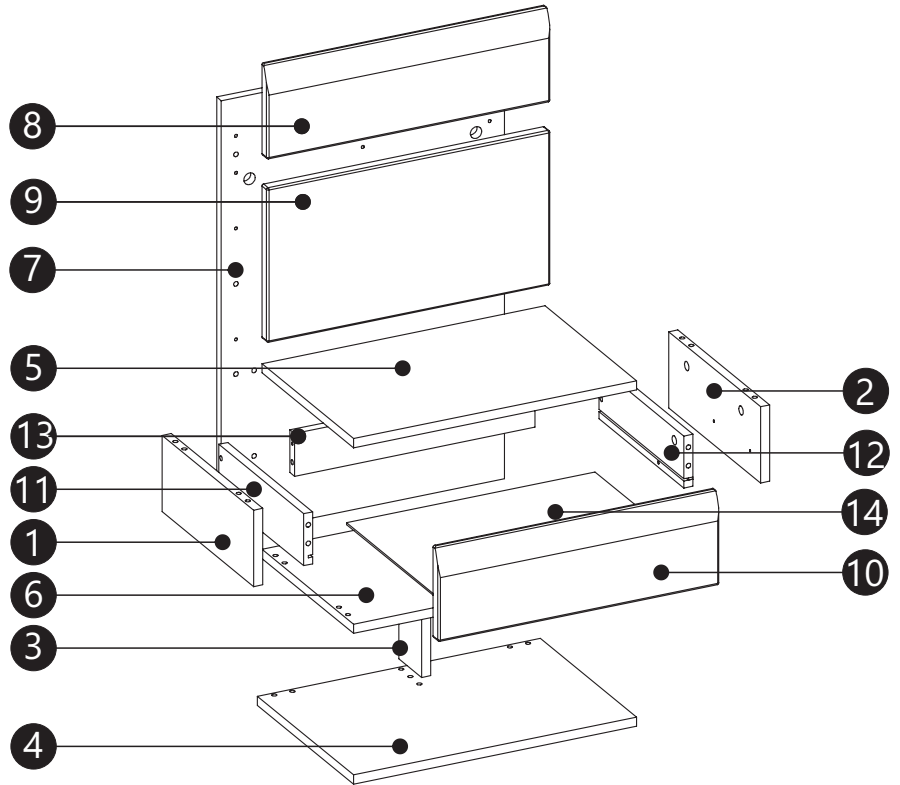


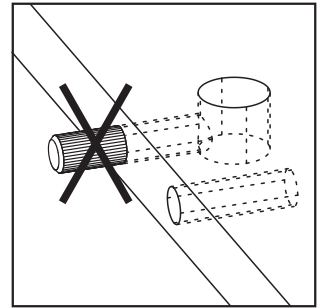
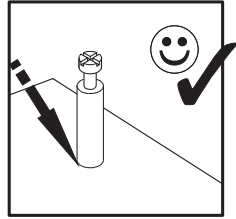
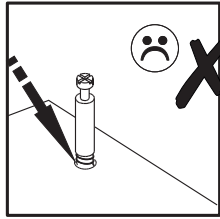
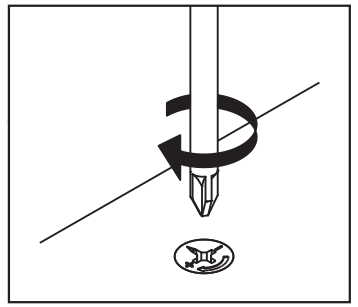
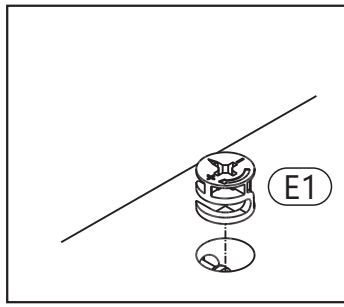
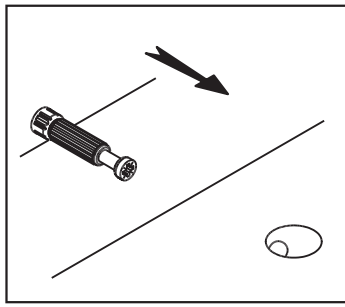
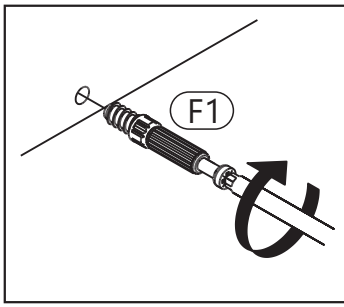
<p>A0 x4 $\varnothing 8 \times 24\text{mm}$</p> 	<p>A1 x23 $\varnothing 8 \times 35\text{mm}$</p> 	<p>C2 x8 $5 \times 13\text{mm}$</p> 
<p>E0a x6</p> 	<p>E1 x6 $\varnothing 15 \times 12\text{mm}$</p> 	<p>F1 x6 $\varnothing 6 \times 34\text{mm}$</p> 
<p>G0a x4</p> 	<p>G0b x13</p> 	<p>G1 x17 $\varnothing 7 \times 50\text{mm}$</p> 
<p>J6 x12 US 4 x 30mm</p> 	<p>M x1</p> 	<p>N1 x10 $3 \times 16\text{mm}$</p> 
<p>P1 x2</p> 	<p>T10 x1</p> 	



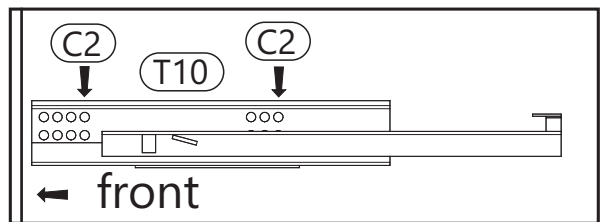
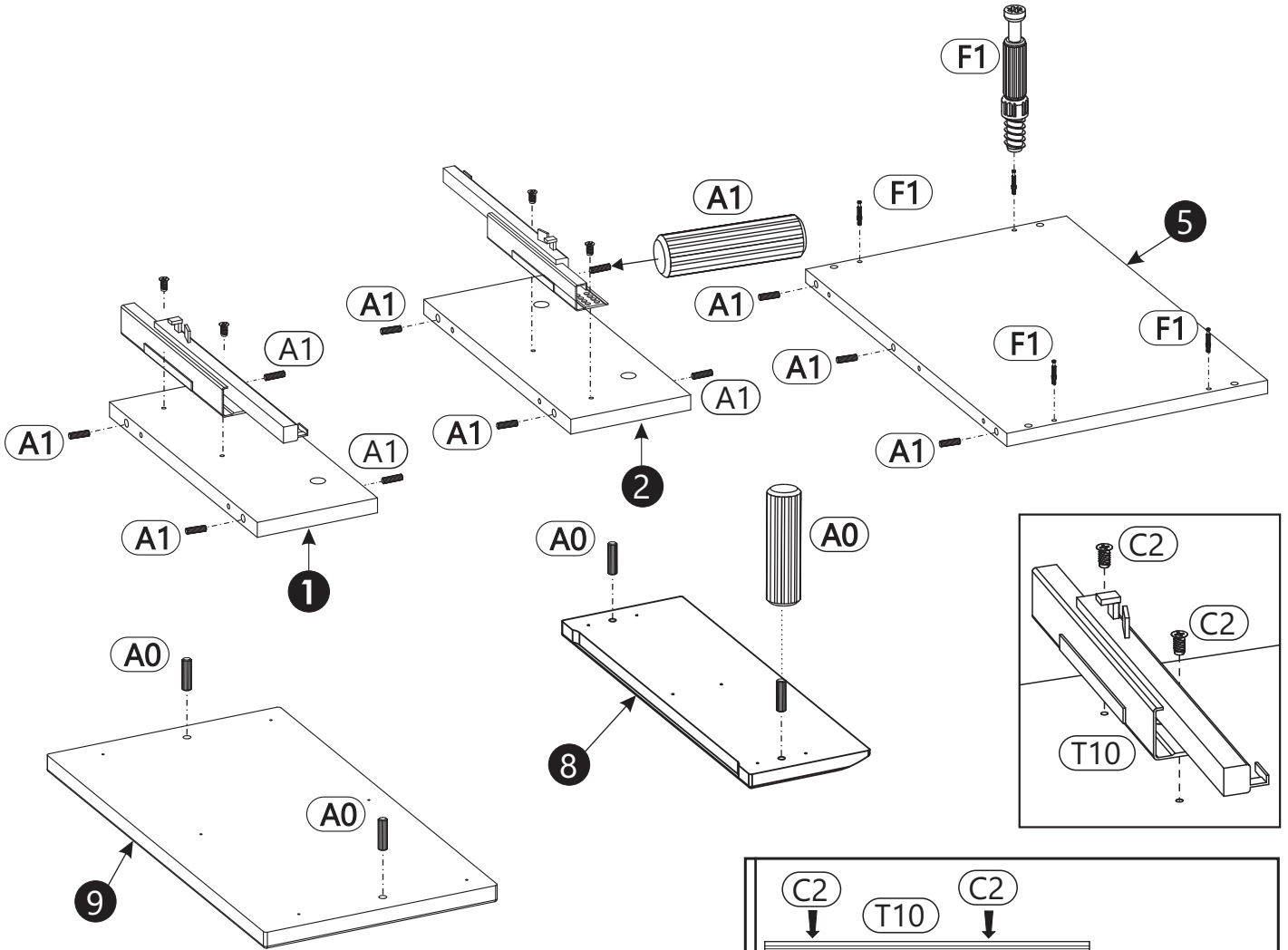


1	324	132	16	x1	1/1
2	324	132	16	x1	1/1
3	120	80	16	x2	1/1
4	500	340	16	x1	1/1
5	500	324	16	x1	1/1
6	500	324	16	x1	1/1
7	754	500	16	x1	1/1
8	500	160	19	x1	1/1
9	500	267	19	x1	1/1
10	496	160	19	x1	1/1
11	300	90	16	x1	1/1
12	300	90	16	x1	1/1
13	425	74	16	x1	1/1
14	439	305	3	x1	1/1

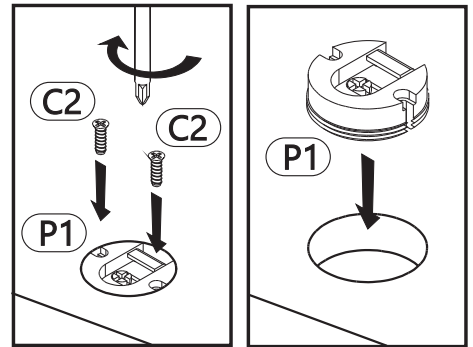
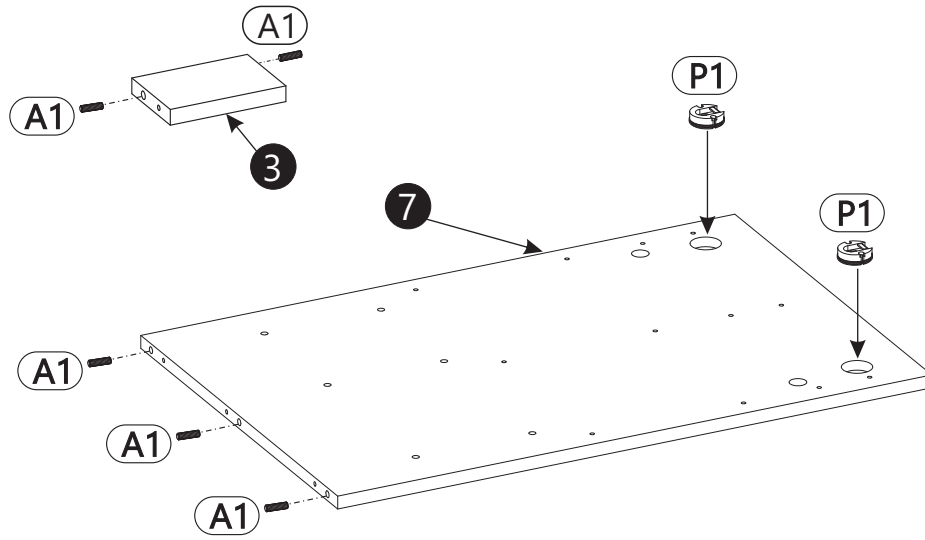
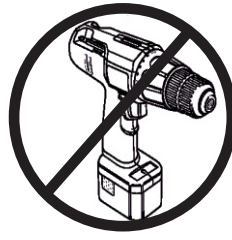




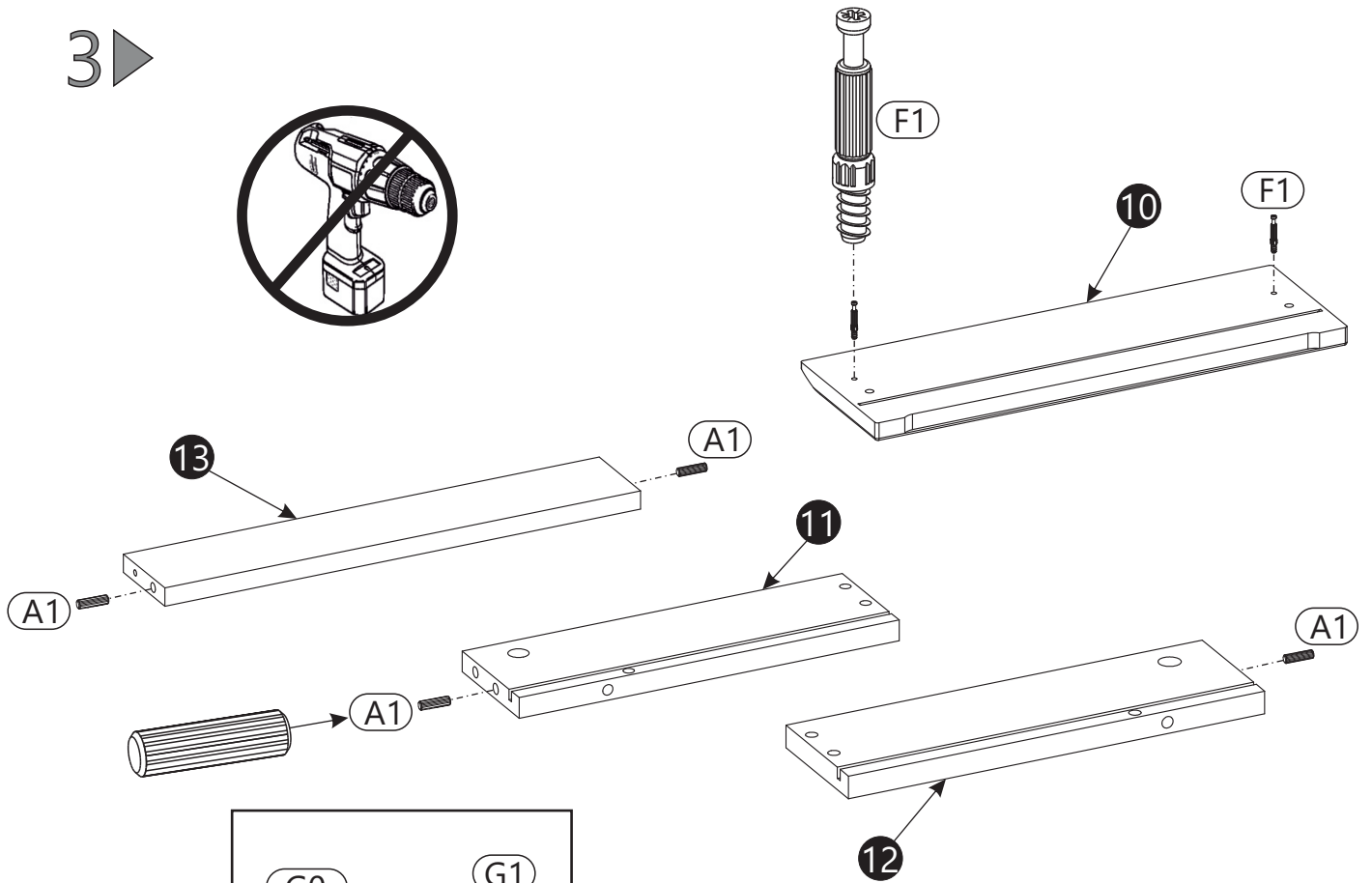
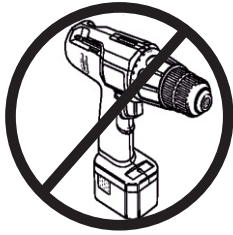
1 ▶



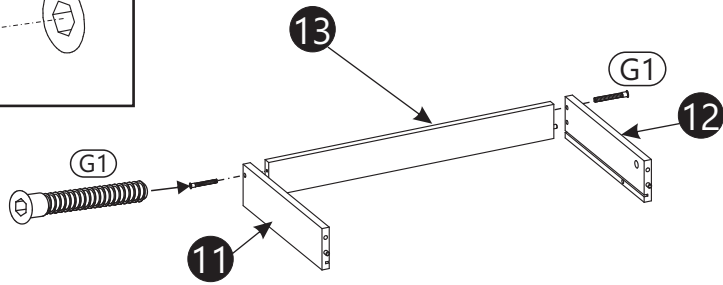
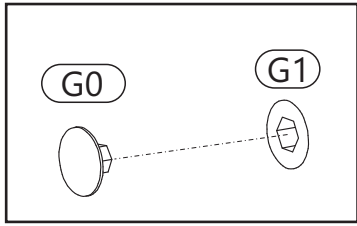
2 ▶



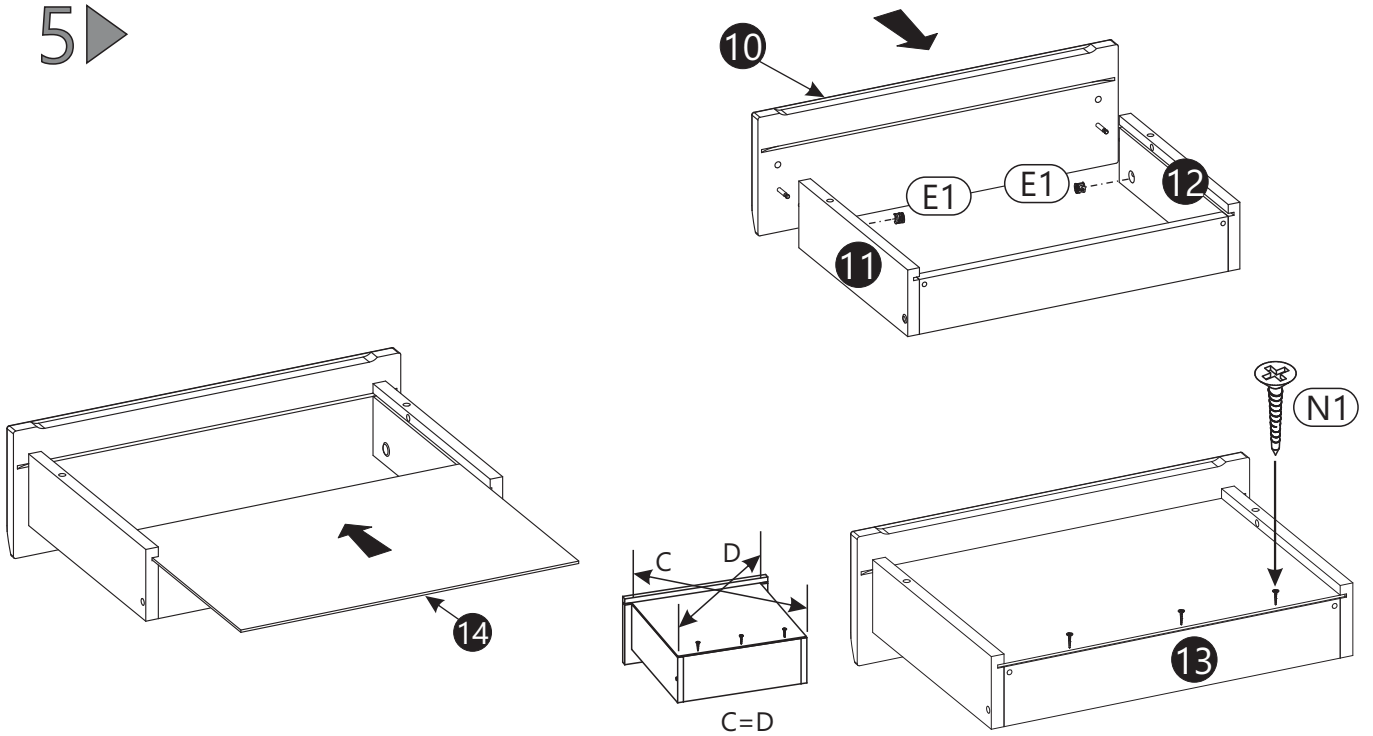
3 ▶



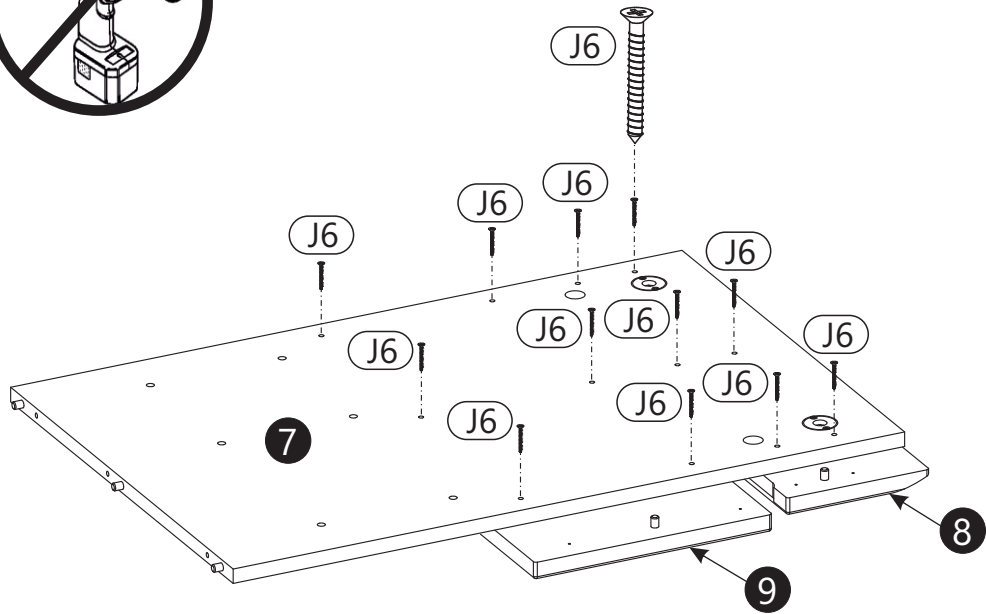
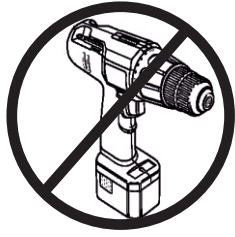
4 ▶



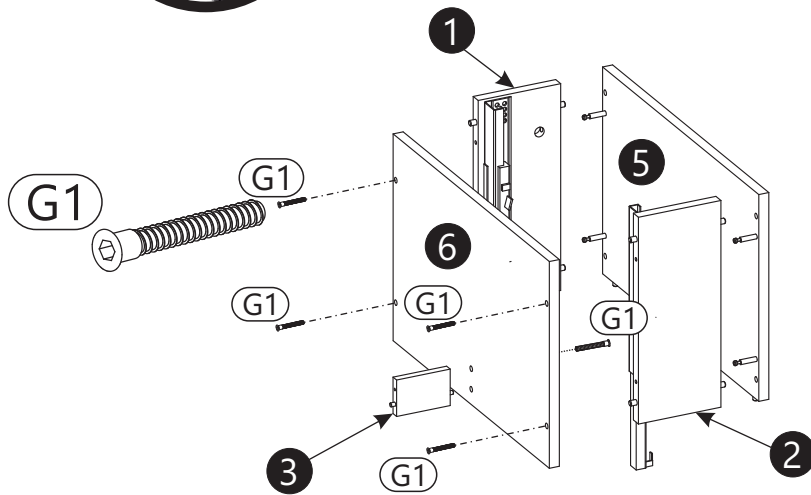
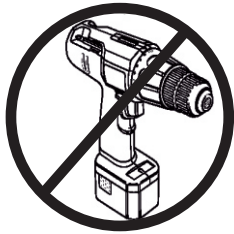
5 ▶



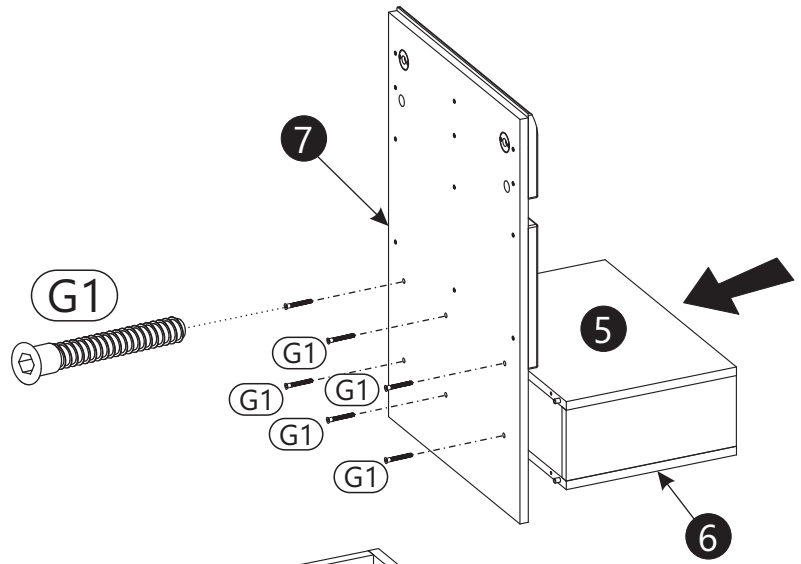
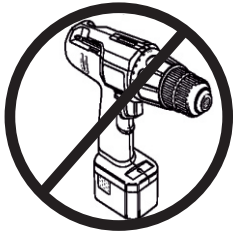
6 ▶



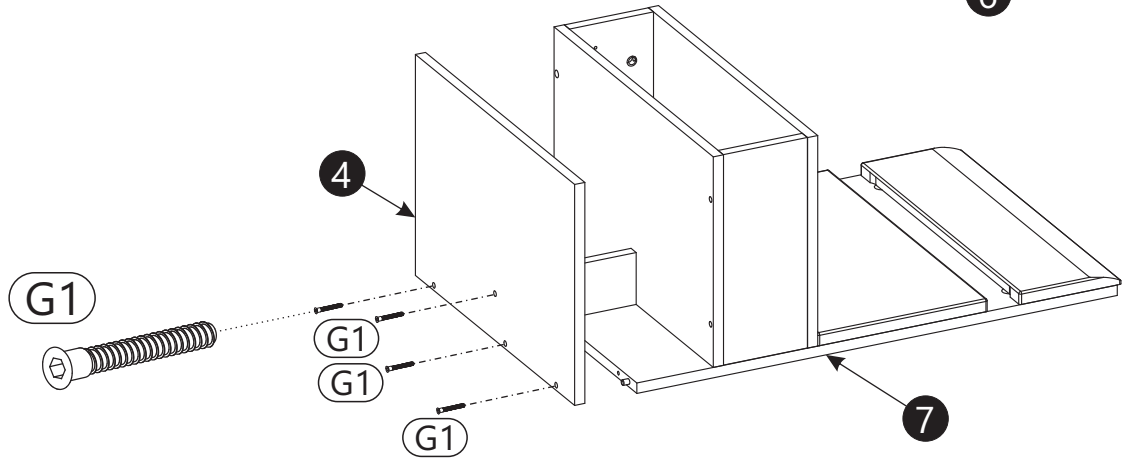
7 ▶



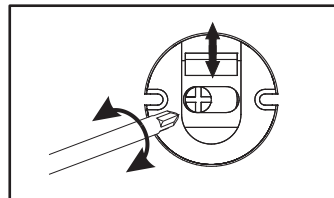
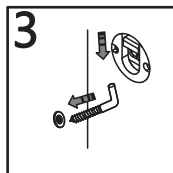
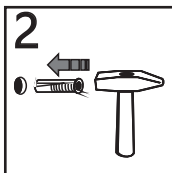
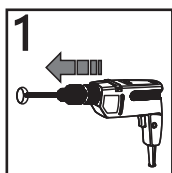
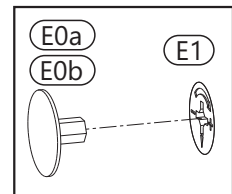
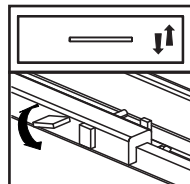
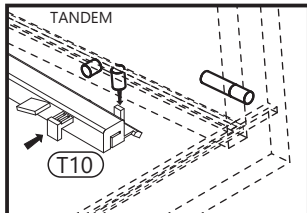
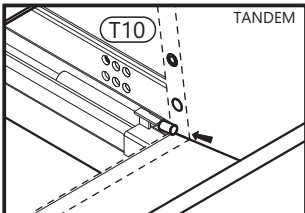
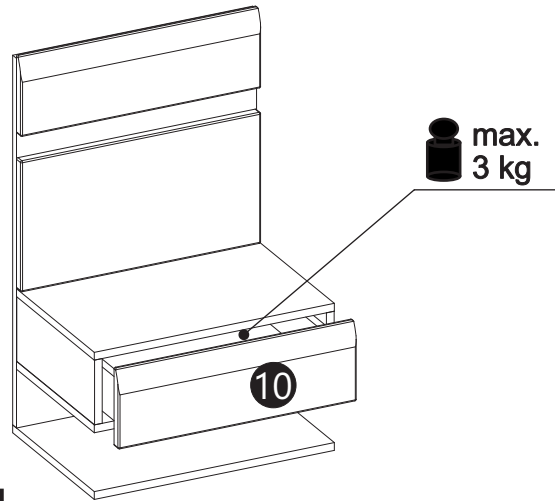
8 ▶

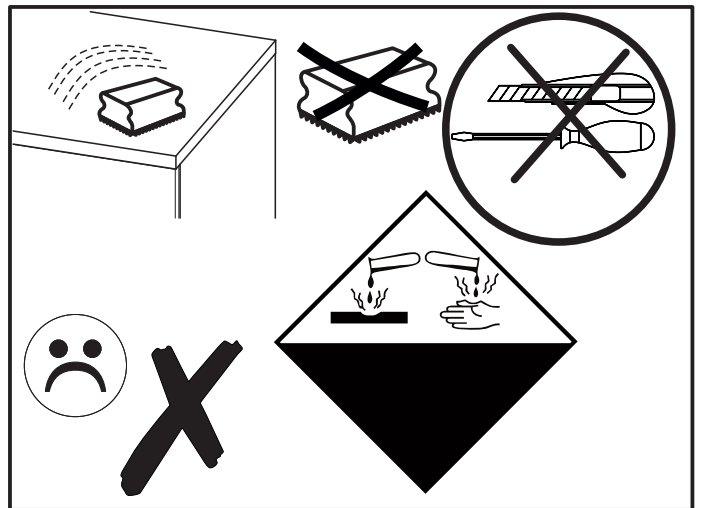
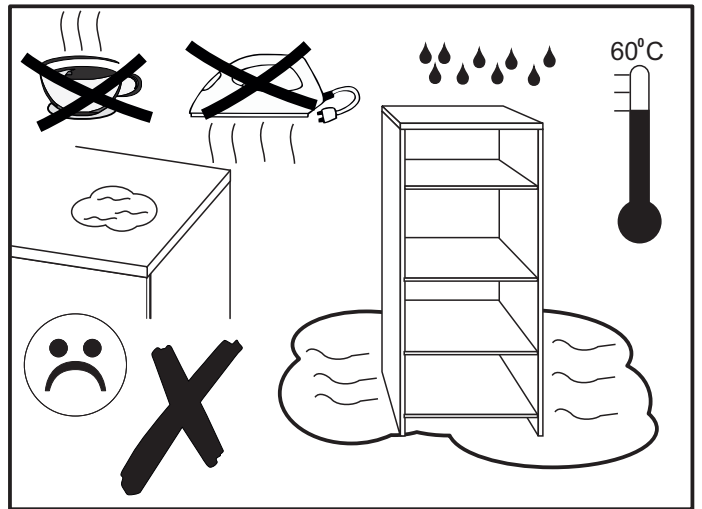
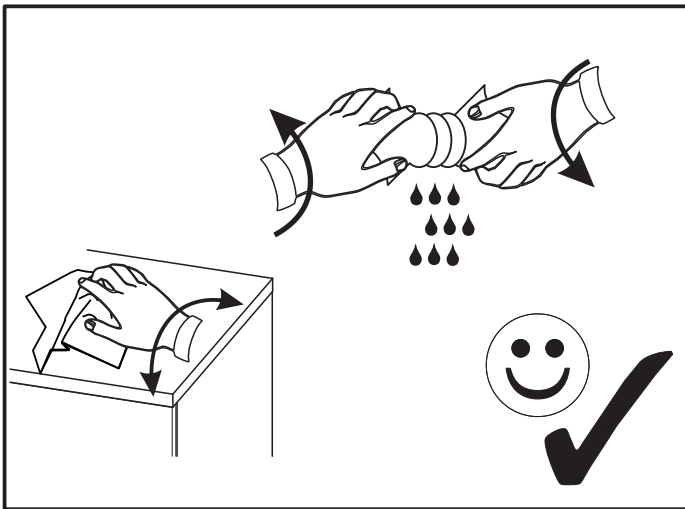
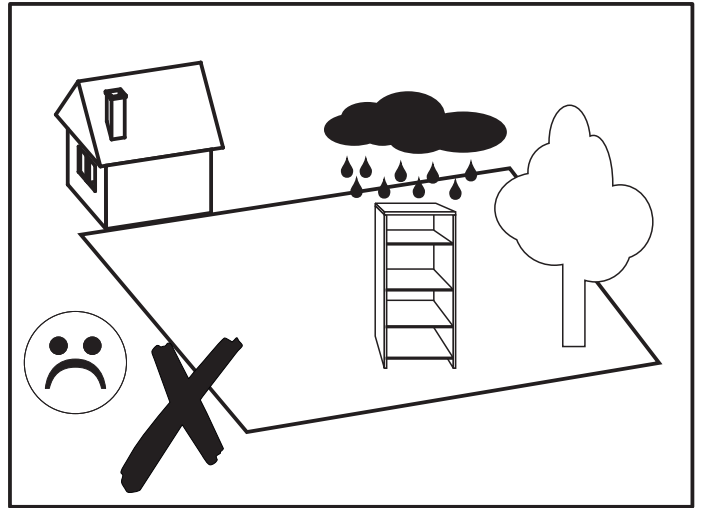
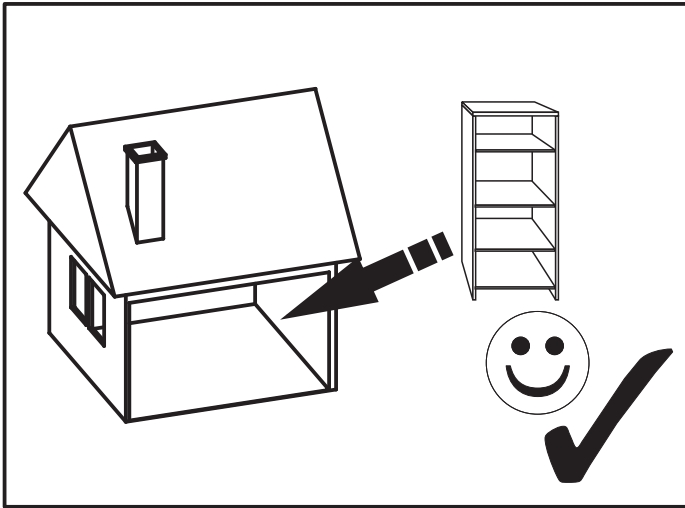


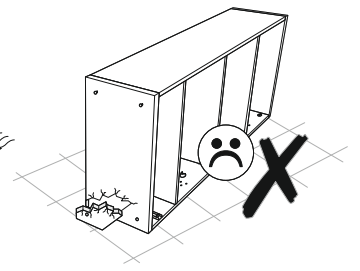
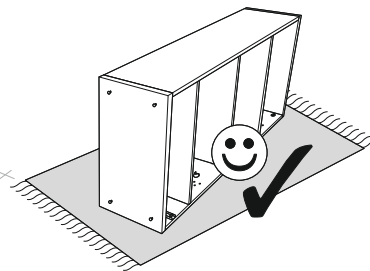
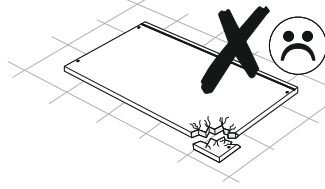
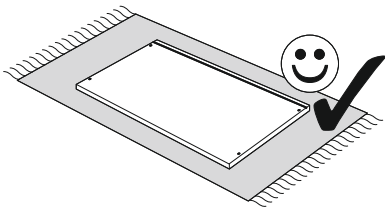
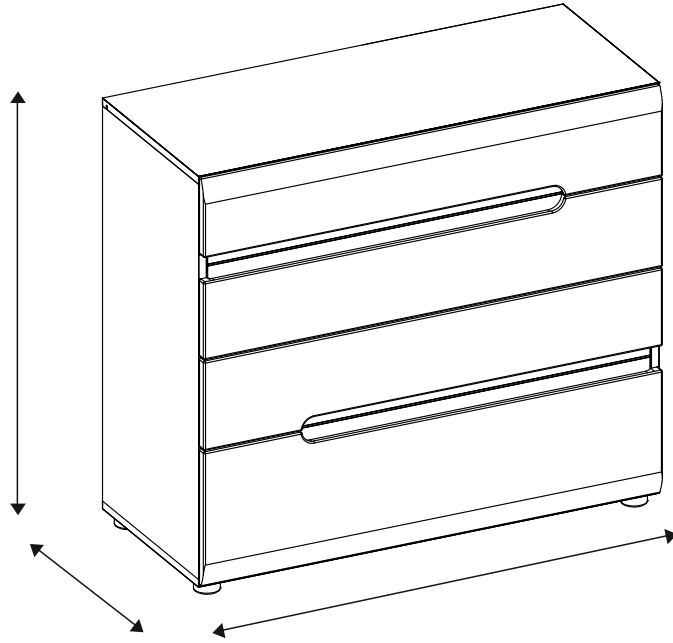
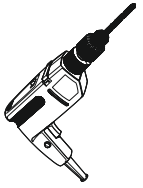
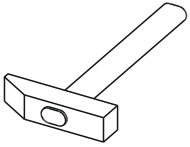
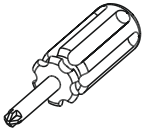
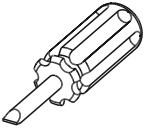
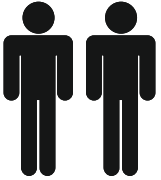
9 ▶

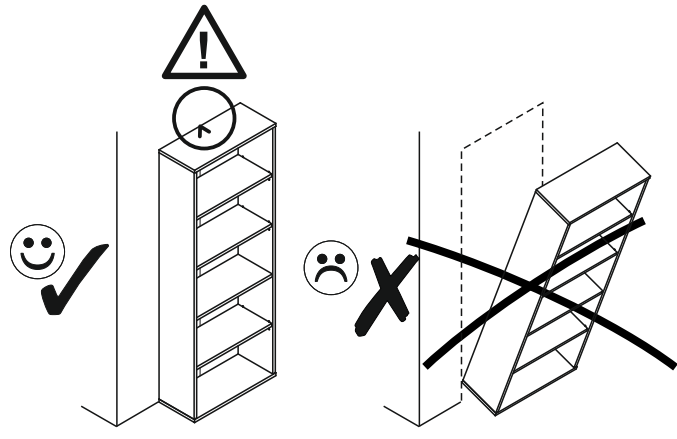


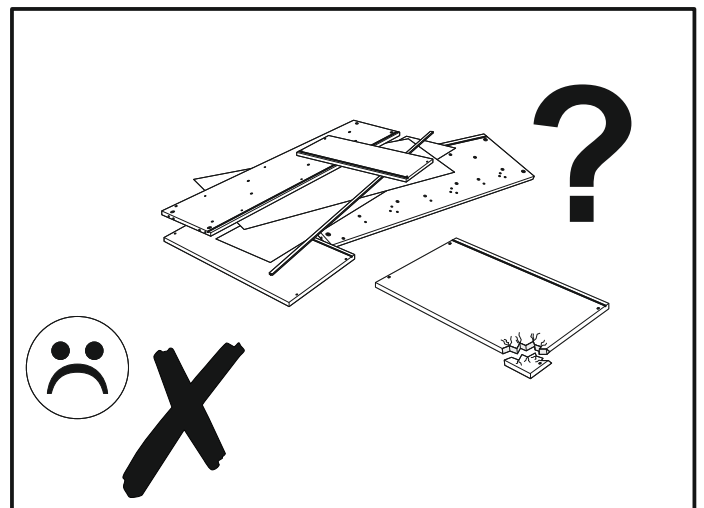
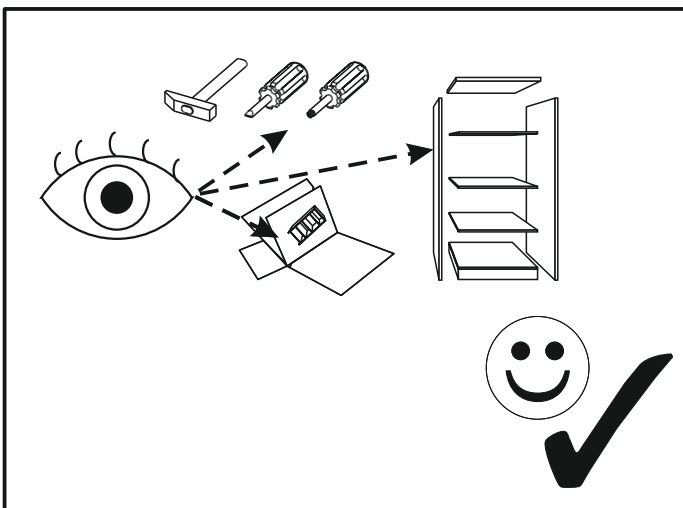
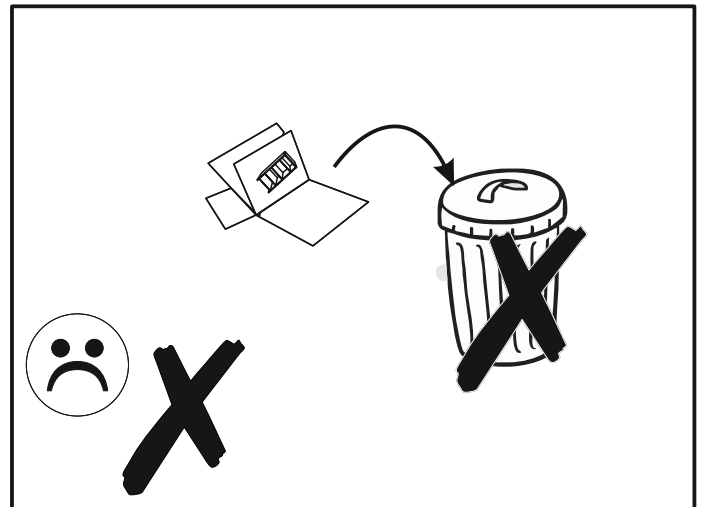
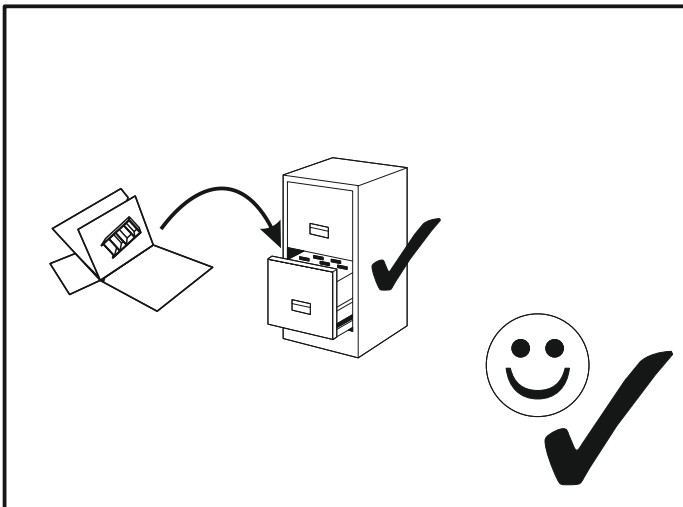
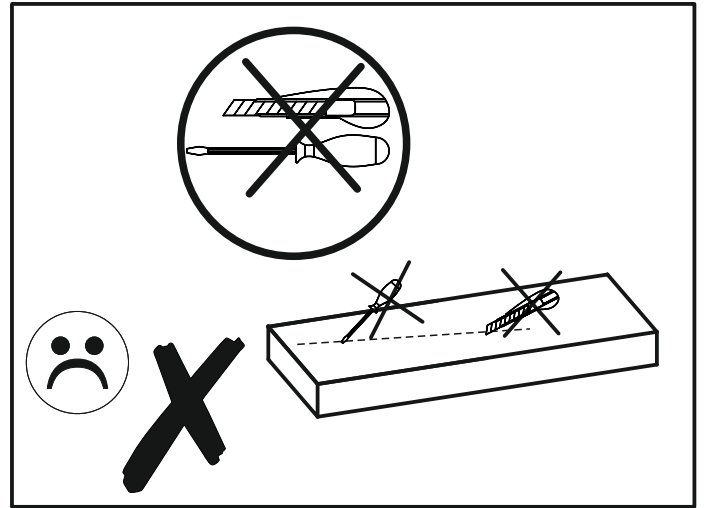
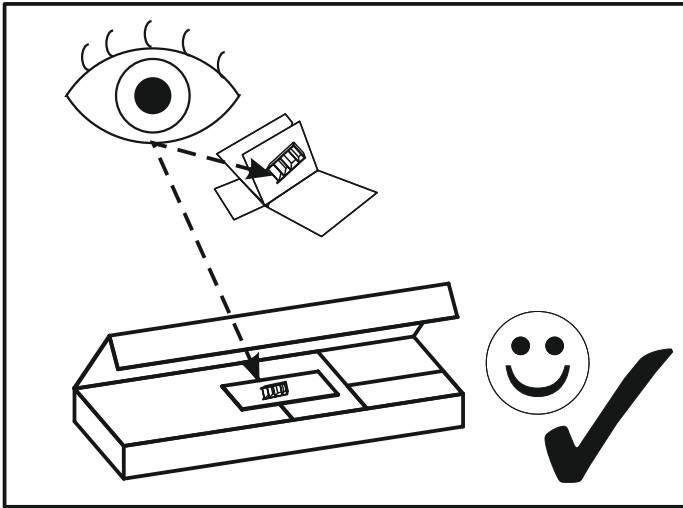
10 ▶

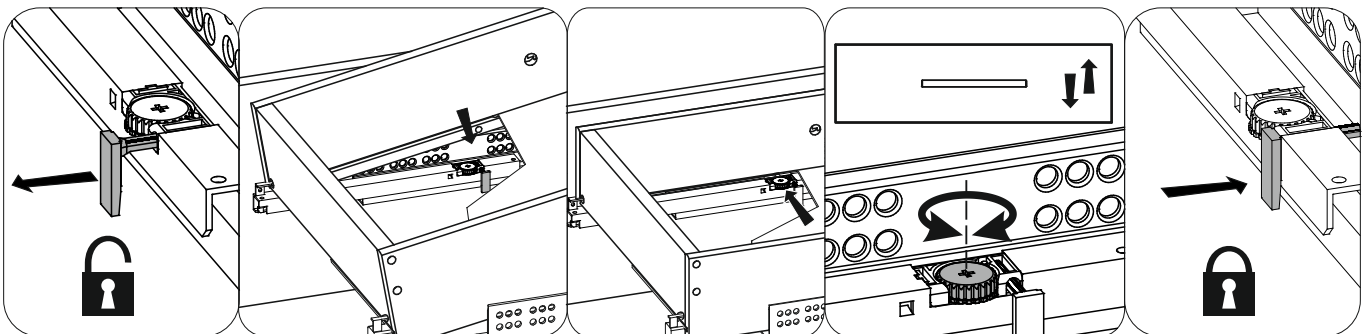
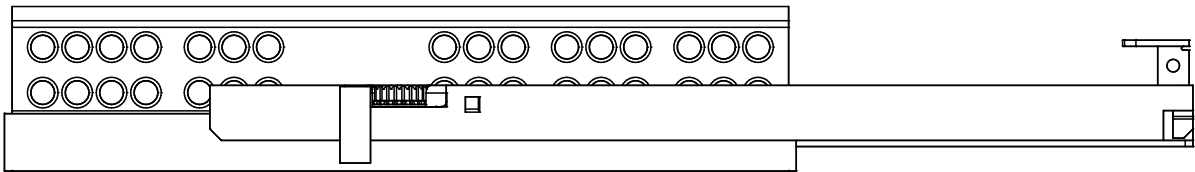
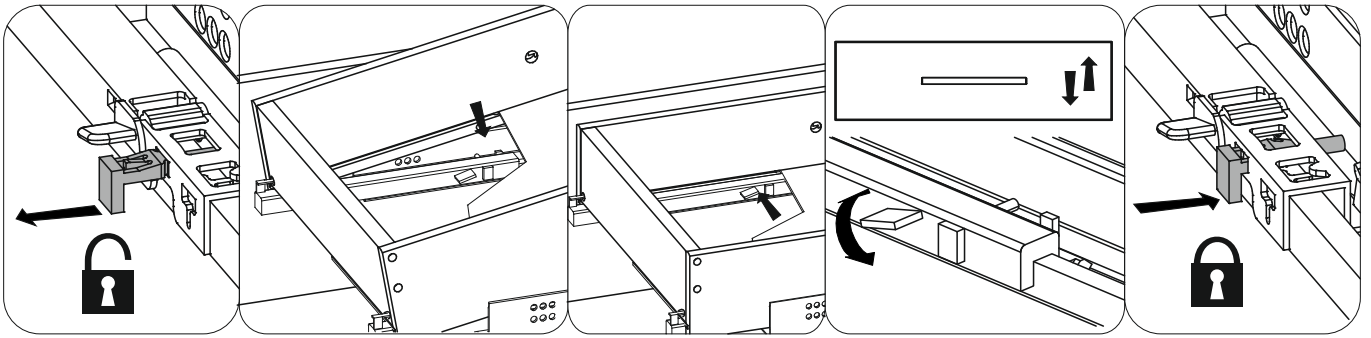
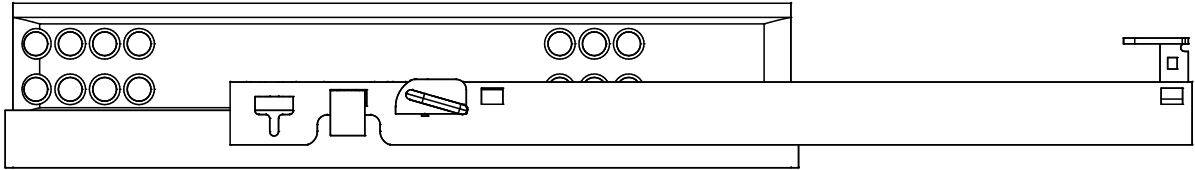
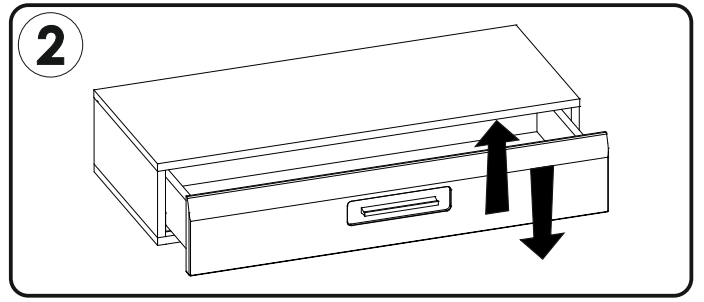
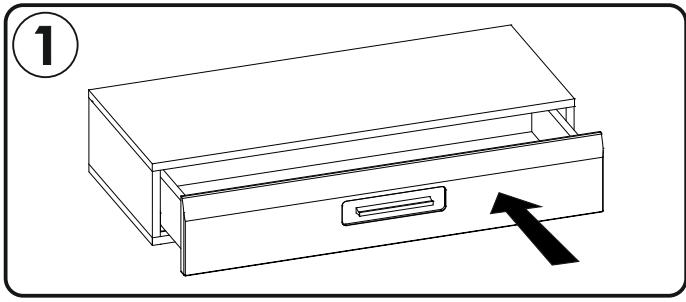


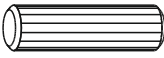

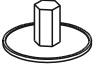
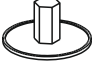








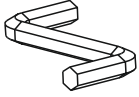

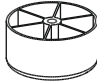
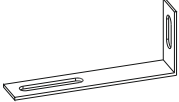
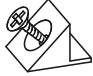
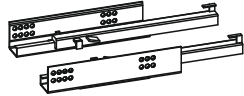


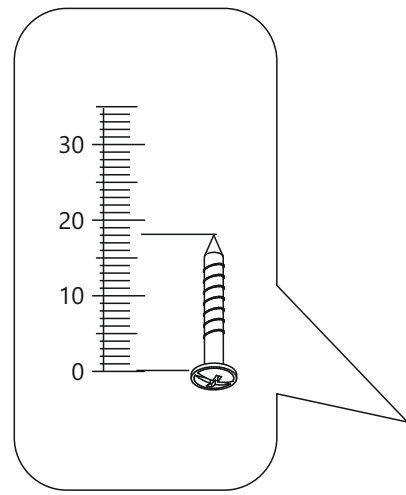
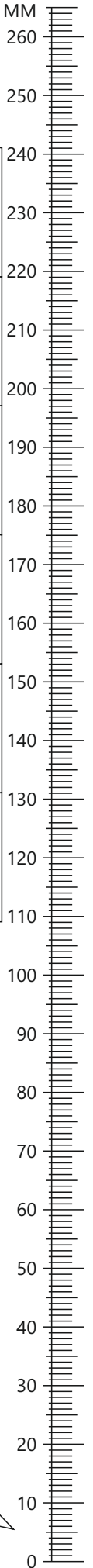


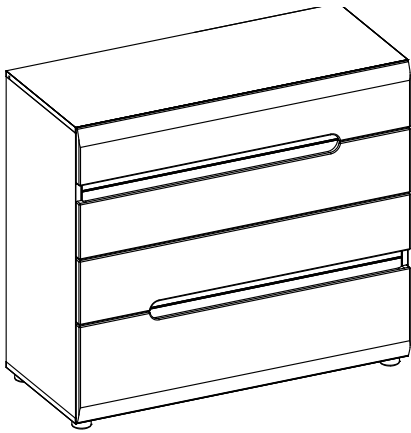




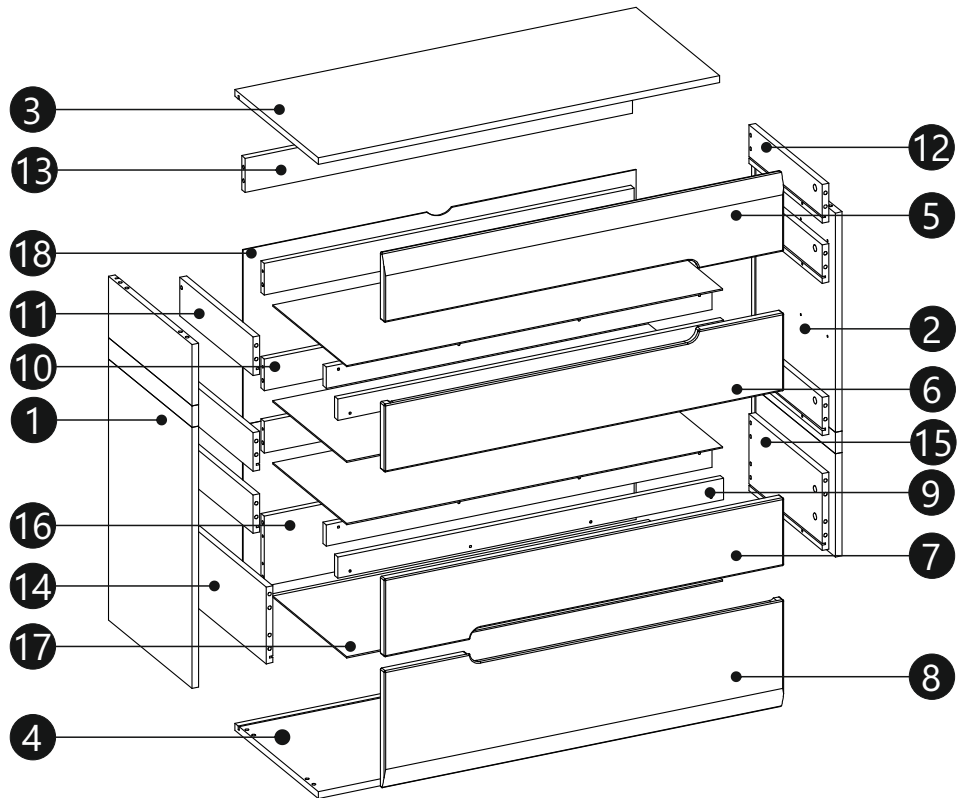


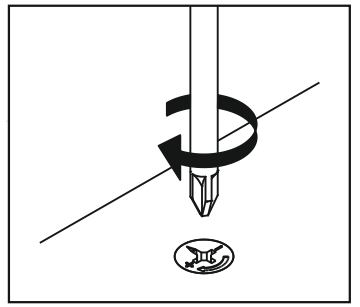
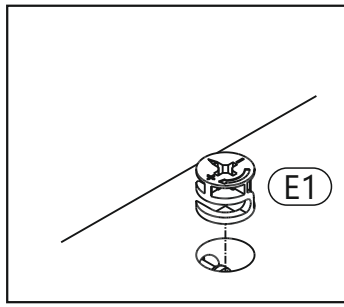
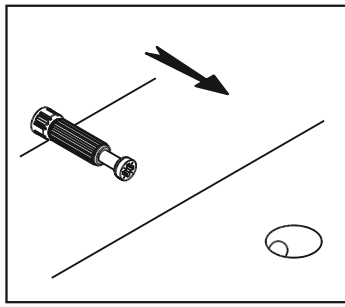
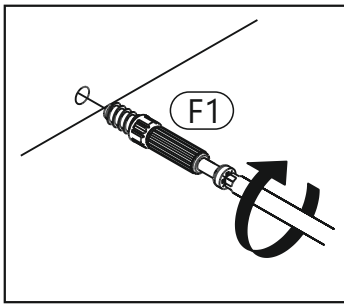
<p>A1 x30 $\varnothing 8 \times 35\text{mm}$</p> 	<p>C2 x16 $5 \times 13\text{mm}$</p> 	<p>E0a x4</p> 
<p>E0b x12</p> 	<p>E1 x16 $\varnothing 15 \times 12\text{mm}$</p> 	<p>F1 x16 $\varnothing 6 \times 34\text{mm}$</p> 
<p>G0a x4</p> 	<p>G0b x10</p> 	<p>G1 x14 $\varnothing 7 \times 50\text{mm}$</p> 
<p>I2 x1 $4 \times 16\text{mm}$</p> 	<p>I5 x16 $4 \times 30\text{mm}$</p> 	<p>I10 x4 $3,5 \times 22\text{mm}$</p> 
<p>M x1</p> 	<p>N1 x40 $3 \times 16\text{mm}$</p> 	<p>O15 x4</p> 
<p>Q9 x1</p> 	<p>R4 x8</p> 	<p>T11 x4</p> 



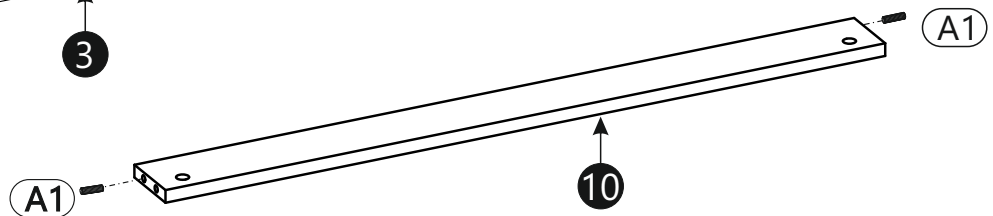
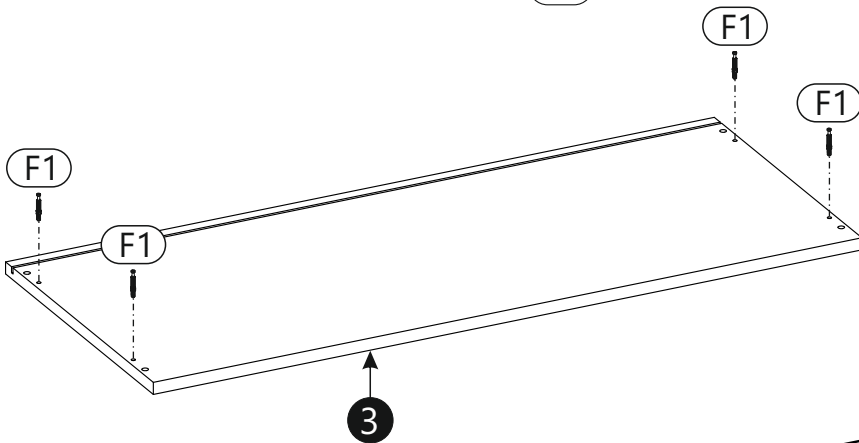
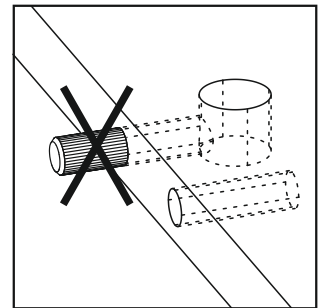
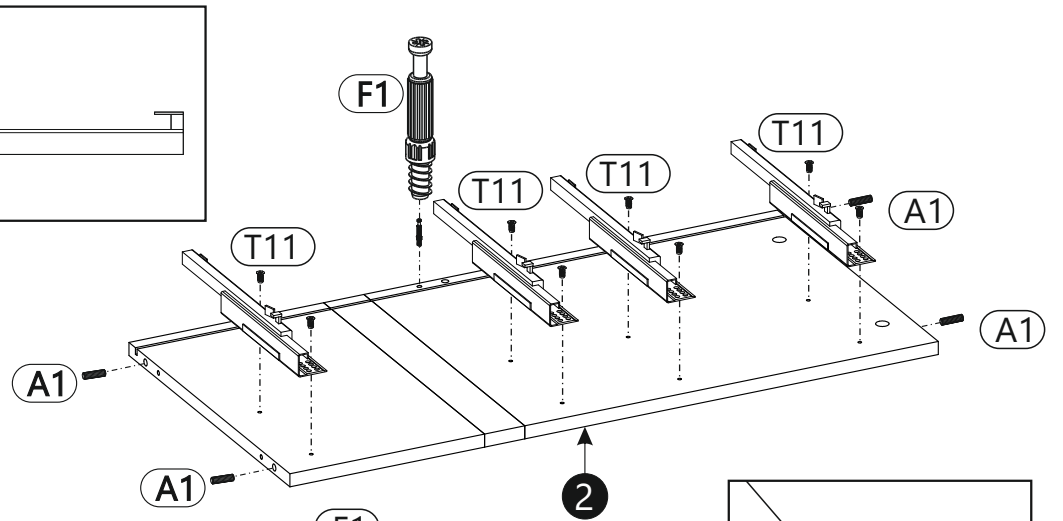
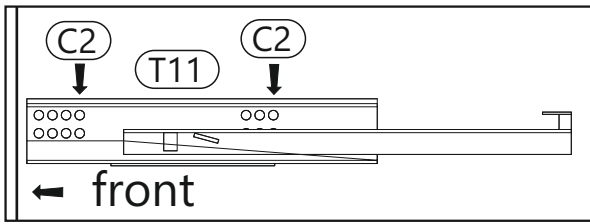
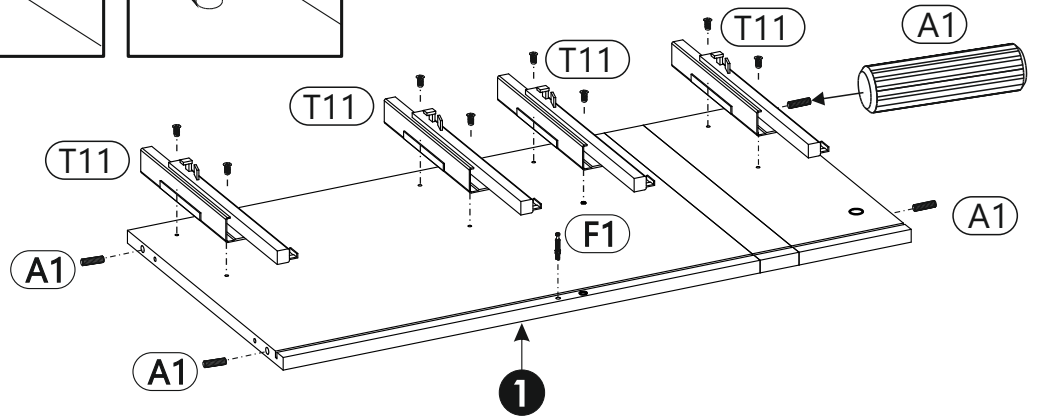
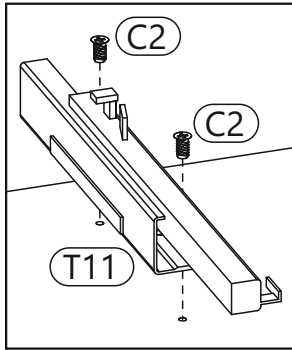
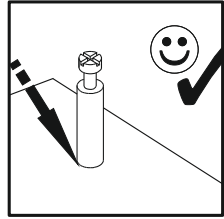
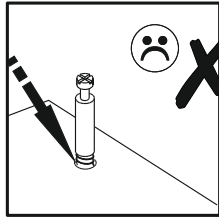


1	806	400	16	x1	1/2
2	806	400	16	x1	1/2
3	960	400	16	x1	1/2
4	960	400	16	x1	1/2
5	956	185	19	x1	1/2
6	956	185	19	x1	1/2
7	956	185	19	x1	1/2
8	956	279	19	x1	1/2
9	923	50	16	x4	1/2
10	927	80	16	x1	1/2
11	350	90	16	x3	2/2
12	350	90	16	x3	2/2
13	885	74	16	x3	2/2
14	350	180	16	x1	2/2
15	350	180	16	x1	2/2
16	885	164	16	x1	2/2
17	899	355	3	x4	2/2
18	940	820	3	x1	1/2

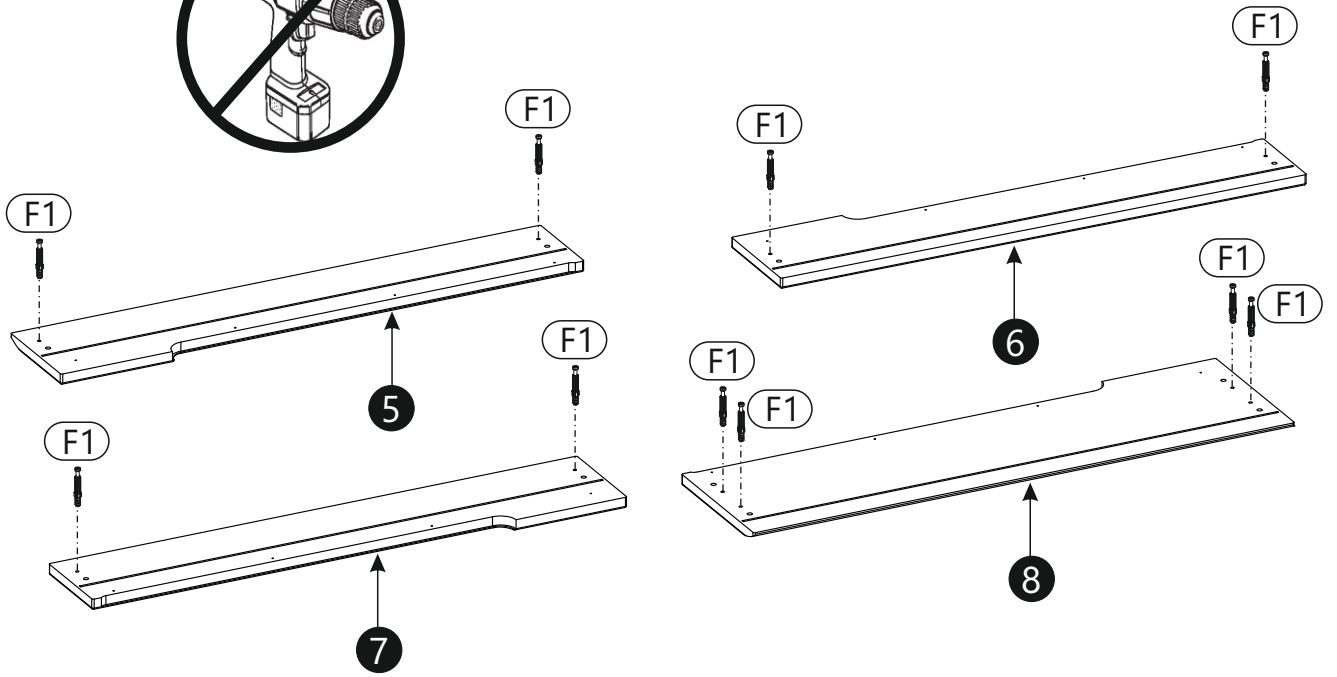
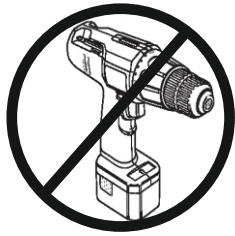




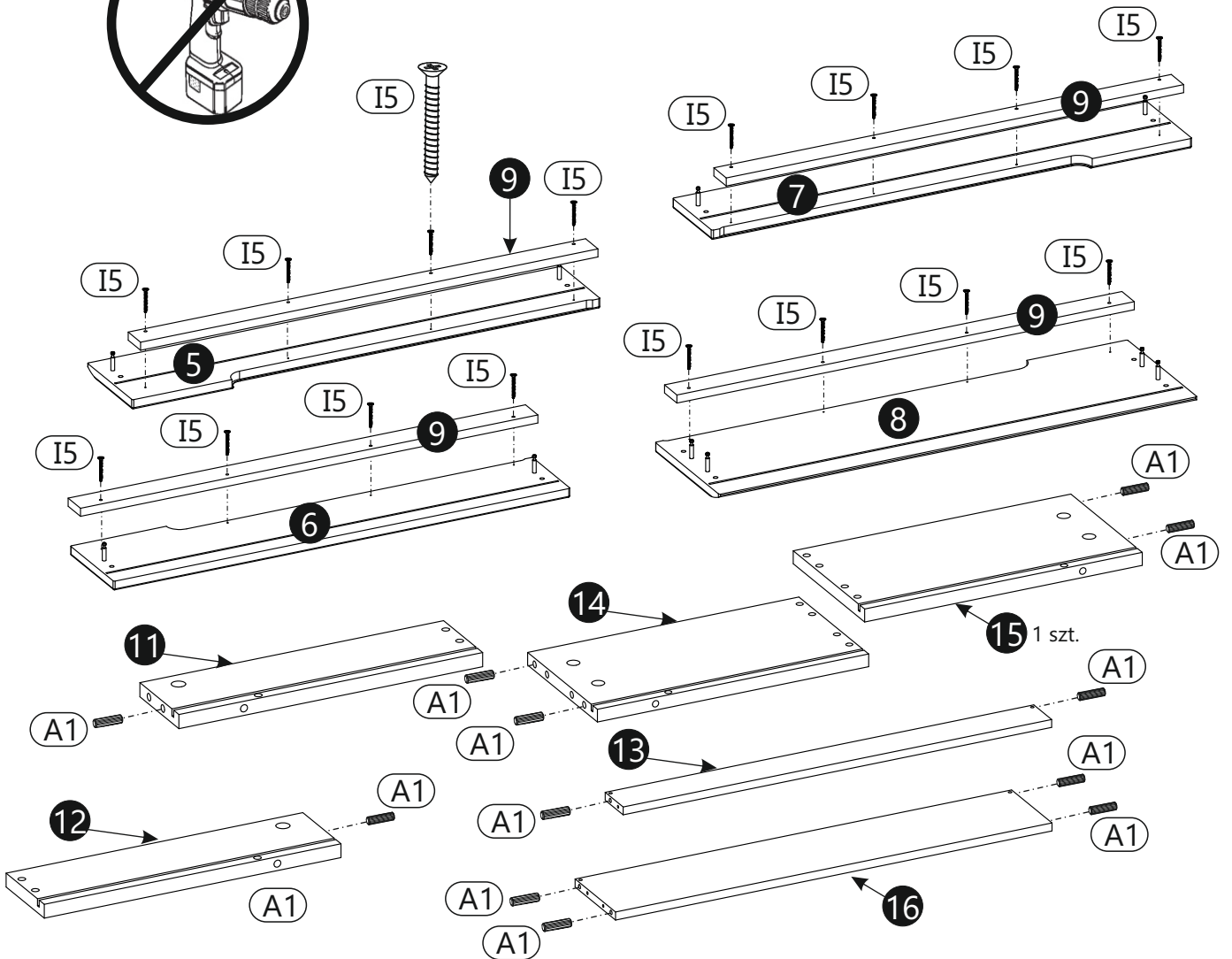
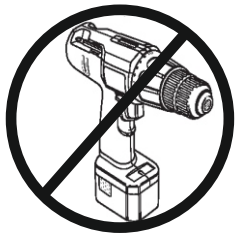
1 ▶



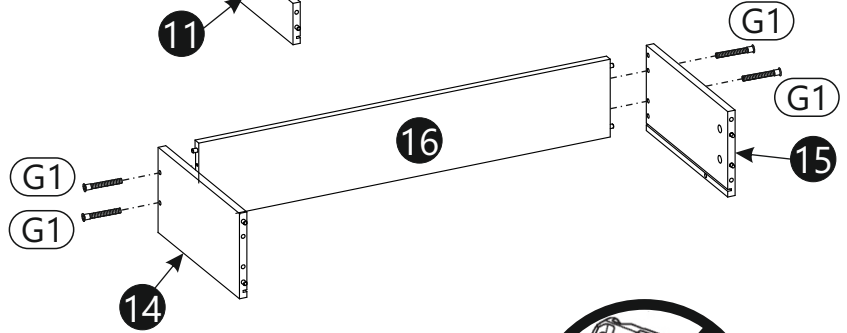
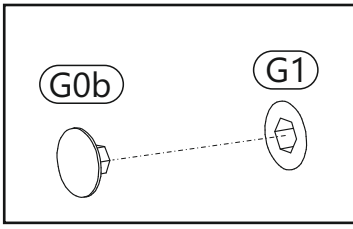
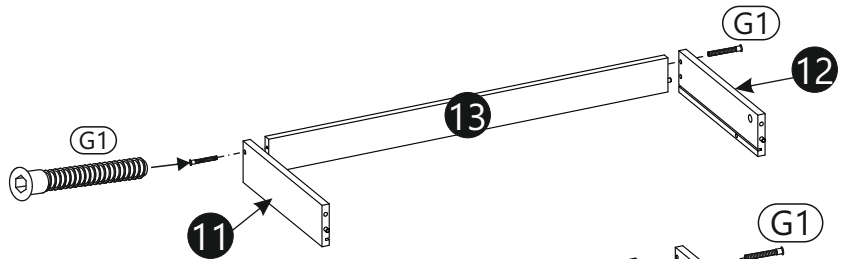
2 ▶



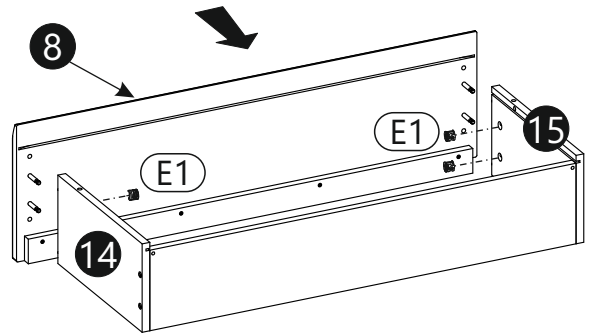
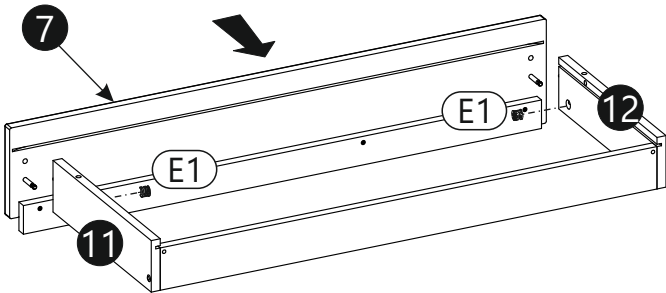
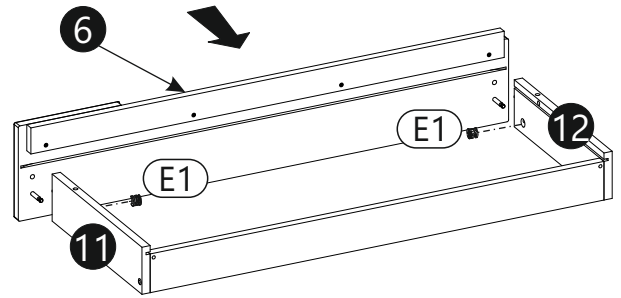
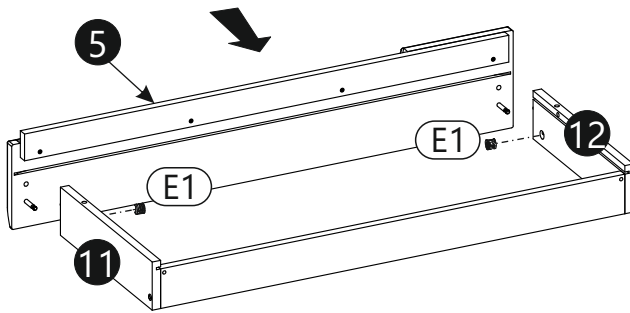
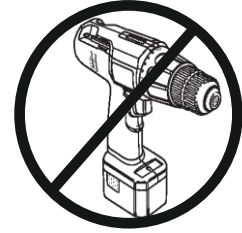
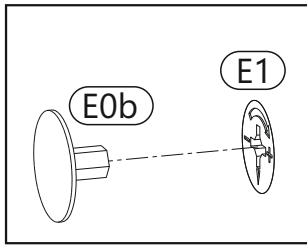
3 ▶



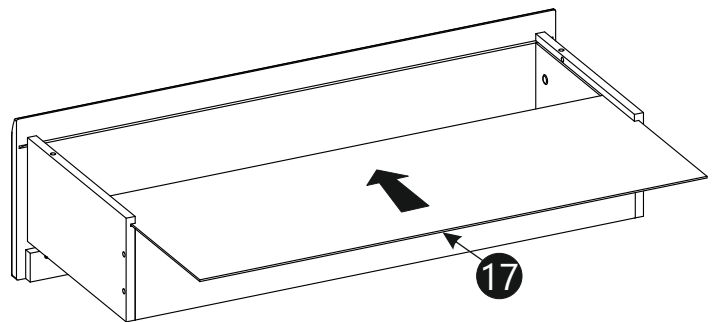
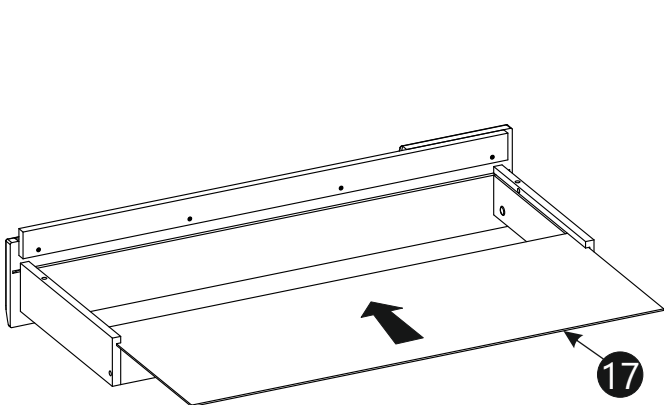
4 ▶



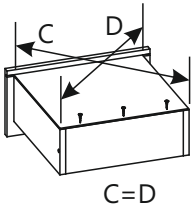
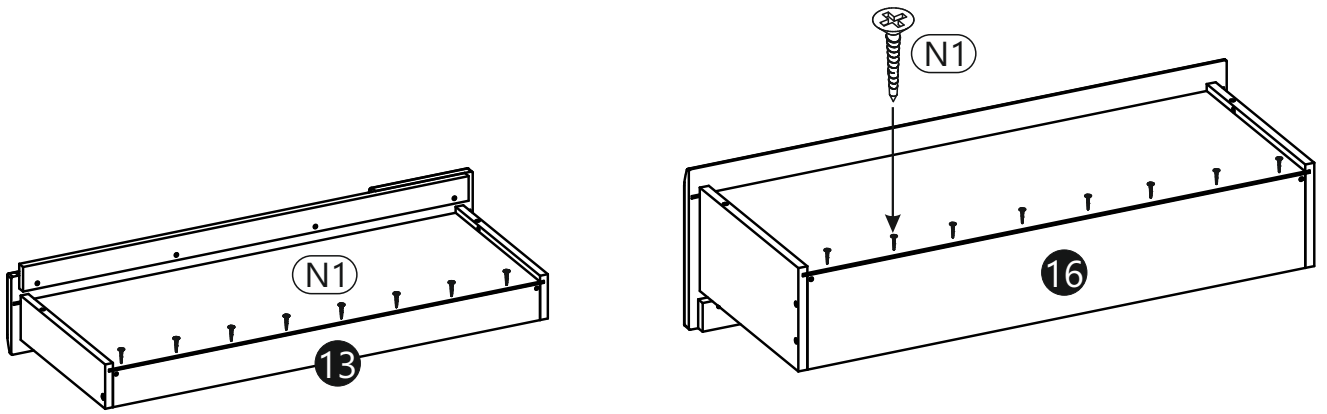
5 ▶



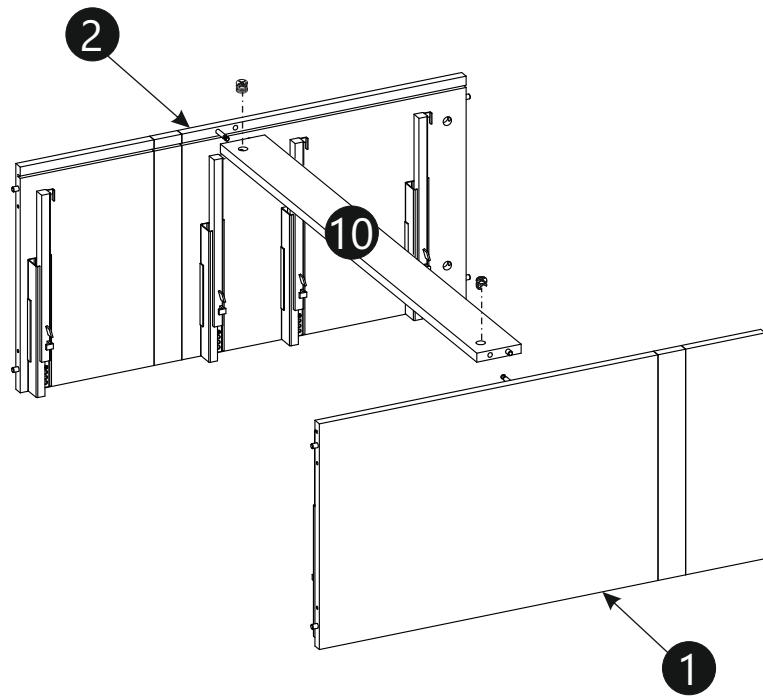
6 ▶



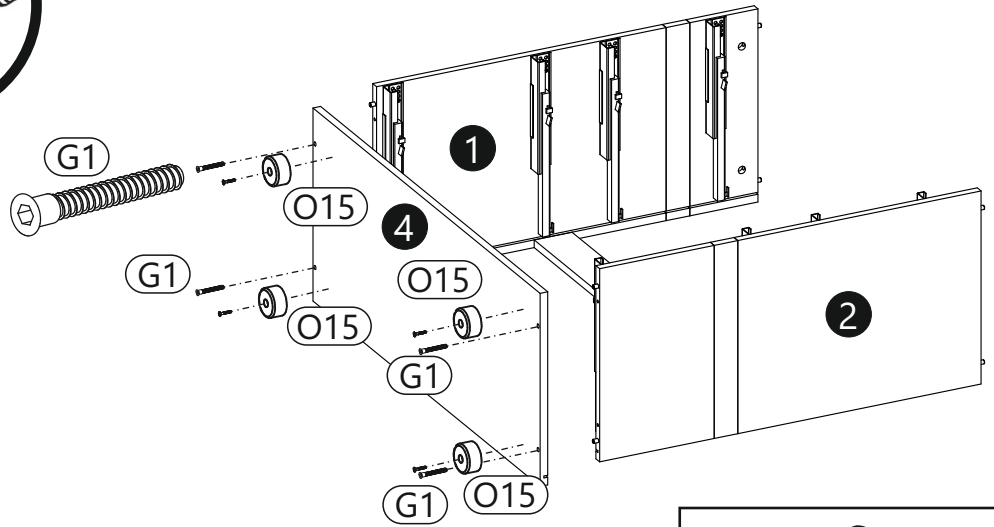
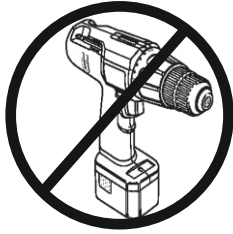
7 ▶



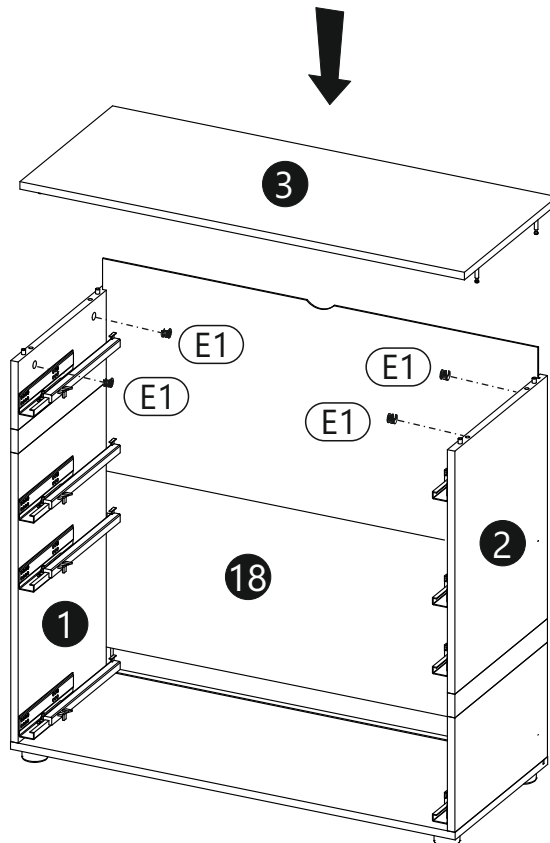
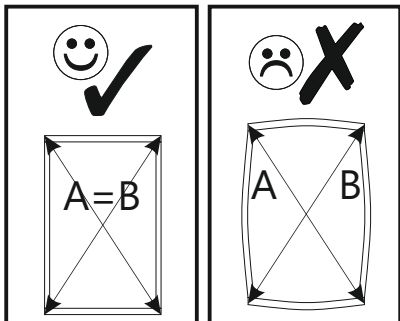
8 ▶



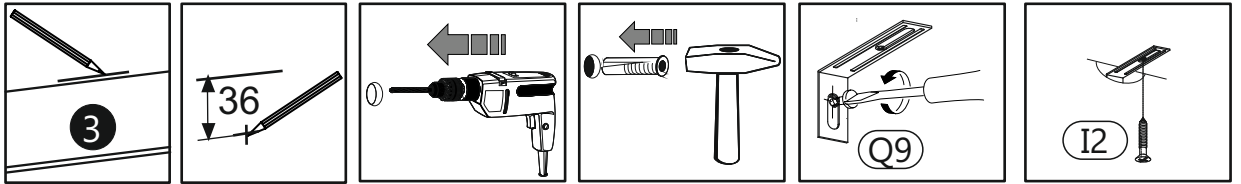
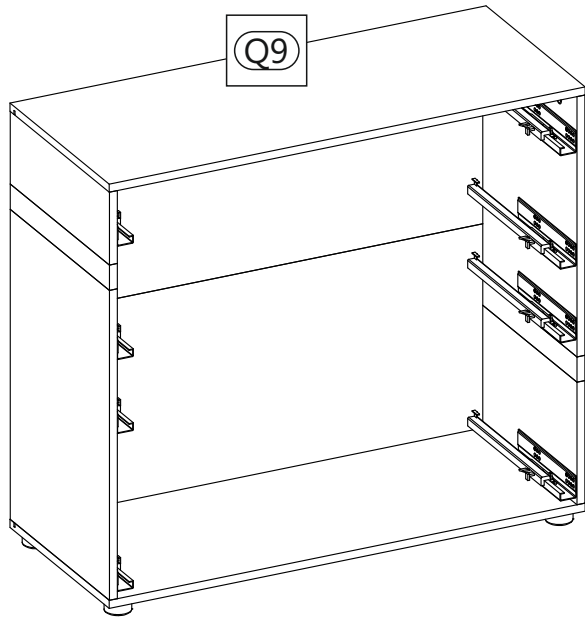
9 ▶



10 ▶



11 ▶

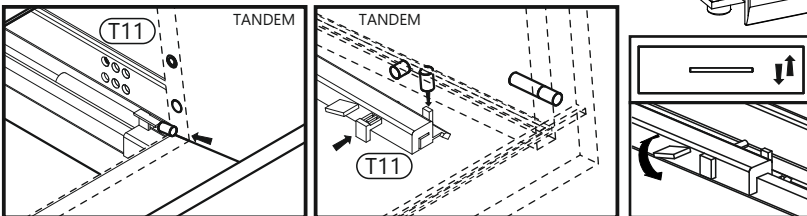
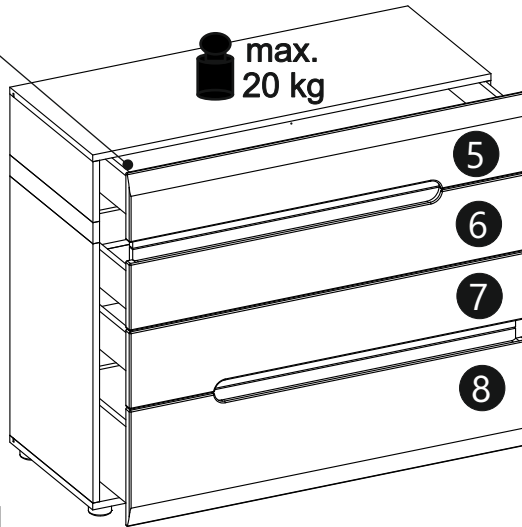


12 ▶

max. 3 kg



max. 20 kg



13 ▶

