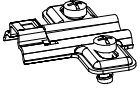
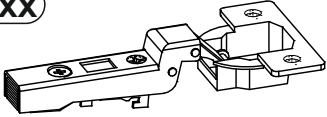




BCxx



BCxx



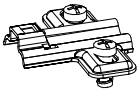
BCxx + BCxx



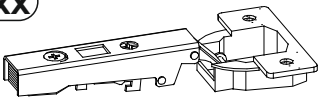
BCxx



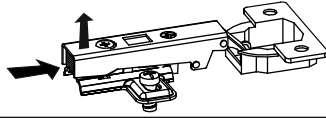
BCxx



BCxx



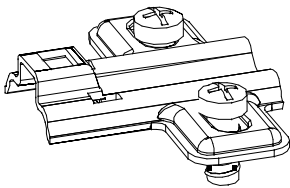
BCxx + BCxx



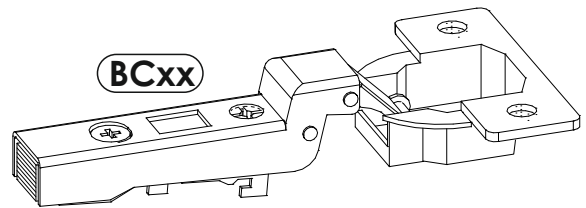
BCxx



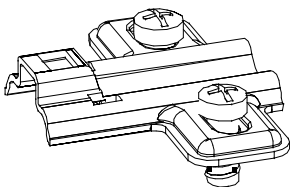
BCxx



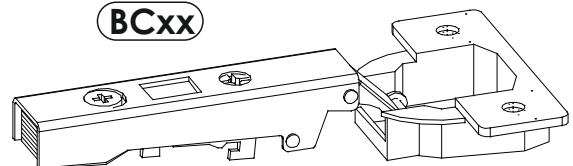
BCxx



BCxx



BCxx



MM

260

250

240

230

220

210

200

190

180

170

160

150

140

130

120

110

100

90

80

70

60

50

40

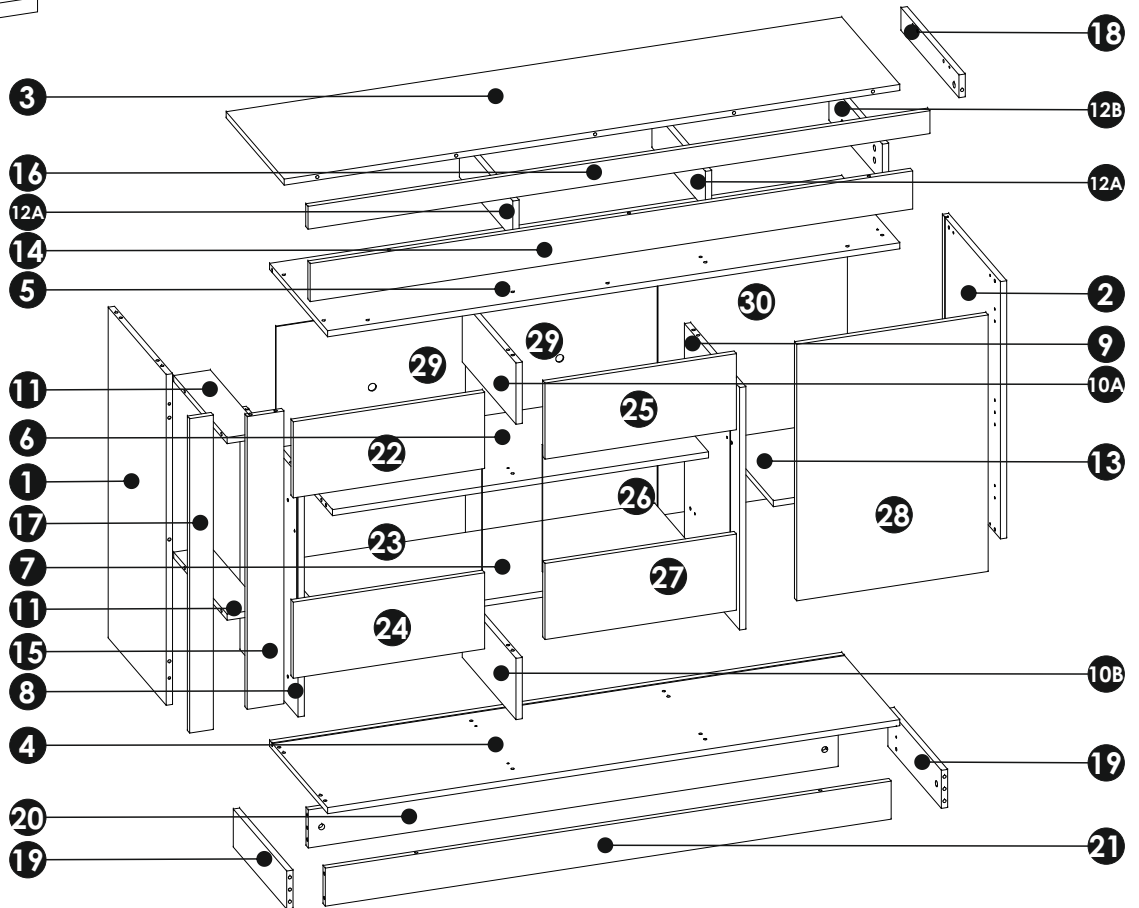
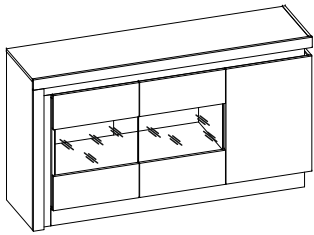
30

20

10

0

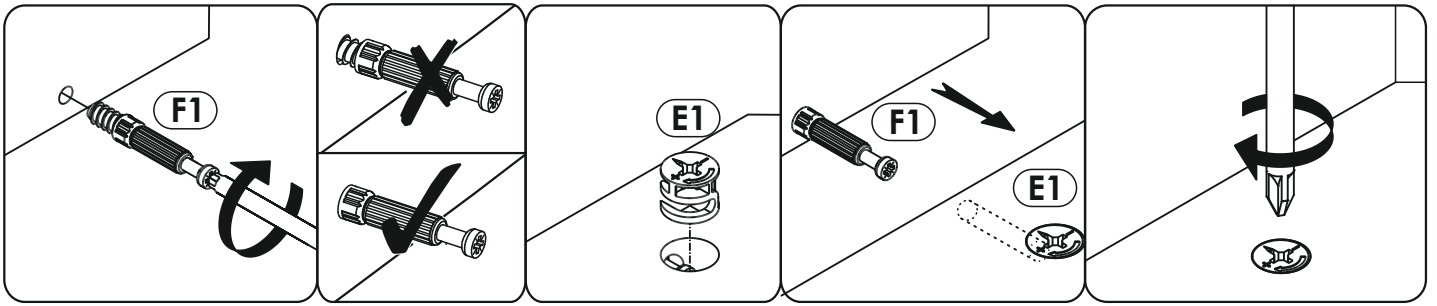
A1	8 x 35 mm	x53	A2	8 x 45 mm	x2	A3	8 x 60 mm	x4
BC11 + BC12			BC13 + BC14			C1		
D2		x4	E0		x52	E1	15 x 12 mm	x64
F1	6 x 34 mm	x52	F3	7 x 58 mm	x2	F4	7 x 76 mm	x4
G0		x10	G1	7 x 50 mm	x10	I2	4 x 16 mm	x14
L						M		x1
N1	3 X 16 mm	x10	N2	3,5 X 16 mm	x20	O2		x10
P15		x2	Q9		x2	R1		x8
R3		x12	R4		x14	S13		x2
W		x10	Z		x1			



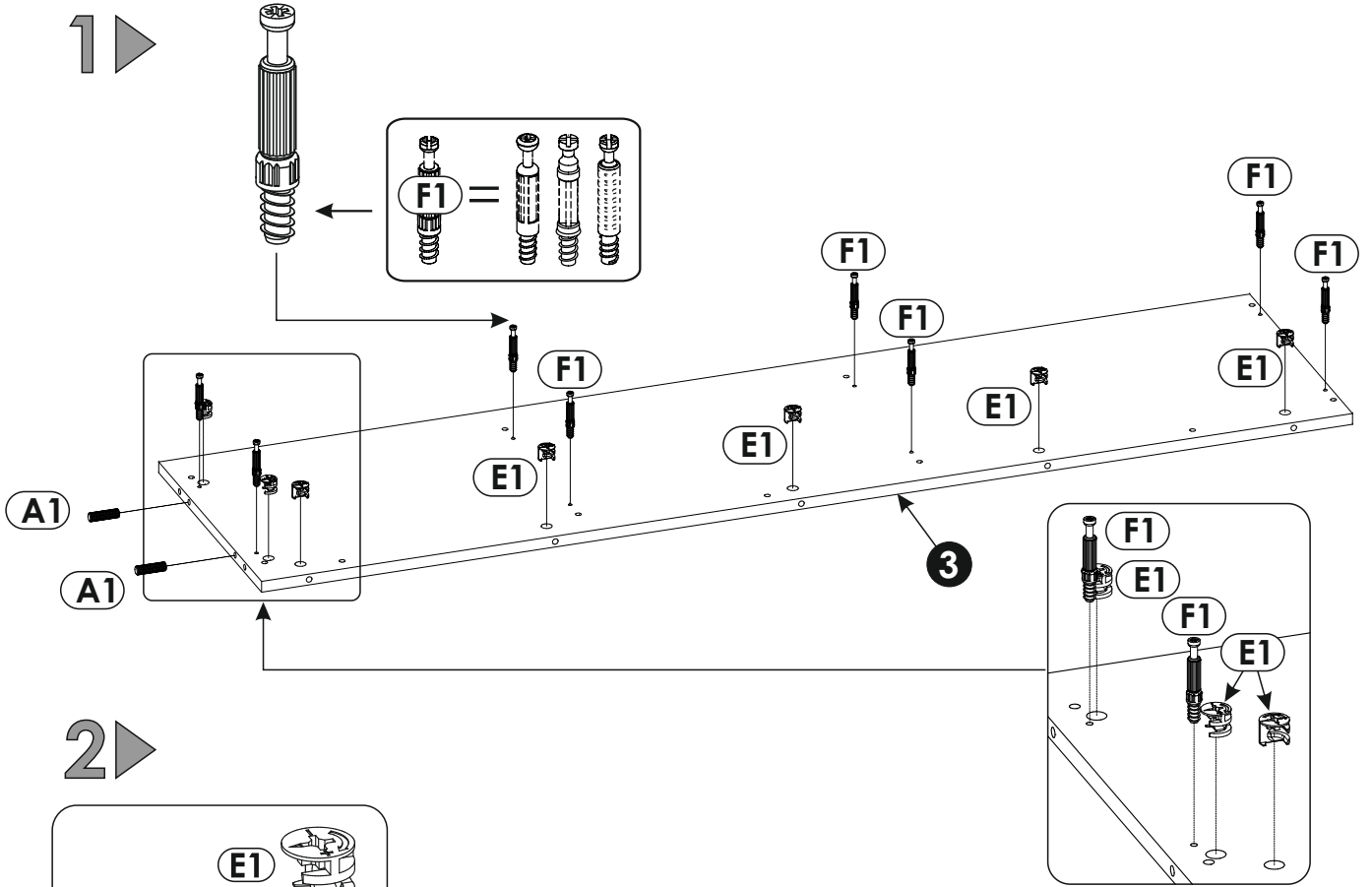
1	869	404	16	x1	1/3
2	676	404	16	x1	1/3
3	1560	404	16	x1	3/3
4	1450	404	16	x1	3/3
5	1450	404	16	x1	3/3
6	953	374	16	x1	1/3
7	953	374	16	x1	1/3
8	637	404	16	x1	1/3
9	637	384	16	x1	1/3
10A 10B	161	374	16	x2	2/3

11	372	93	16	x2	1/3
12A 12B	372	100	16	x3	1/3
13	465	369	16	x1	1/3
14	1527	100	16	x1	3/3
15	769	93	16	x1	3/3
16	1576	60	16	x1	3/3
17	826	60	16	x1	3/3
18	404	60	16	x1	3/3
19	372	100	16	x2	2/3
20	1343	100	16	x1	3/3

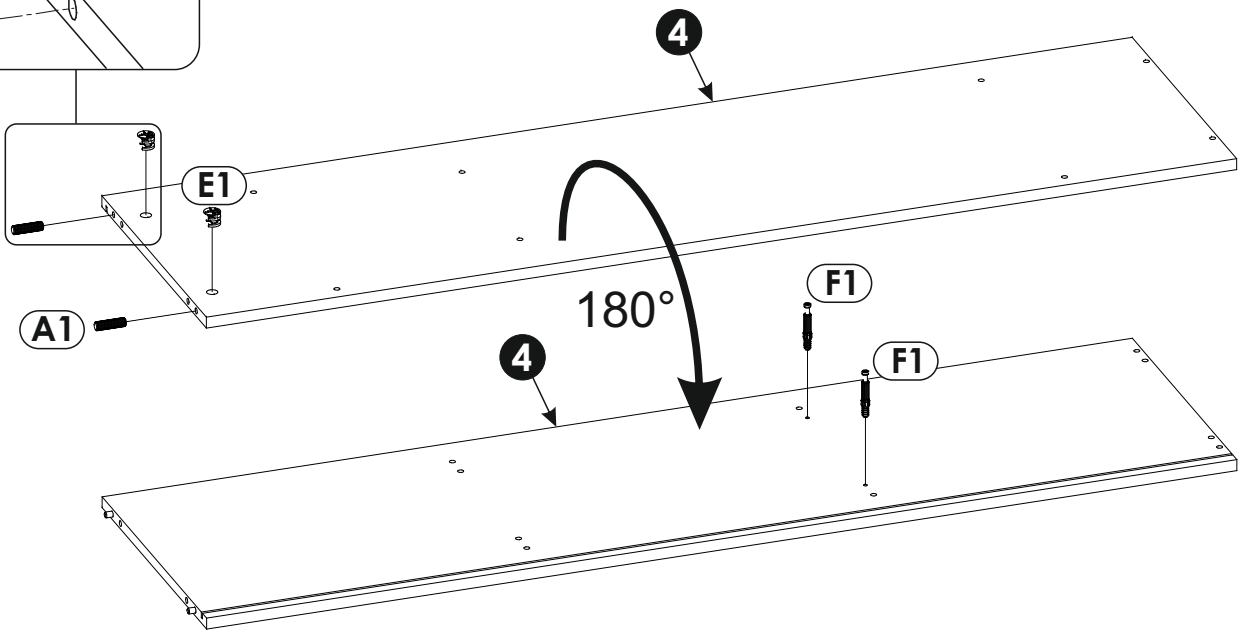
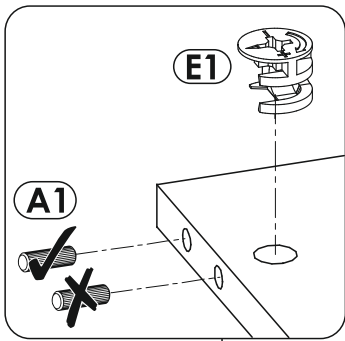
21	1434	100	16	x1	3/3
22	485	200	16	x1	2/3
23	469	334	4	x1	1/3
24	485	200	16	x1	2/3
25	485	200	16	x1	2/3
26	476	334	4	x1	1/3
27	485	200	16	x1	2/3
28	485	674	16	x1	2/3
29	651	966	3	x1	2/3
30	651	480	3	x1	2/3



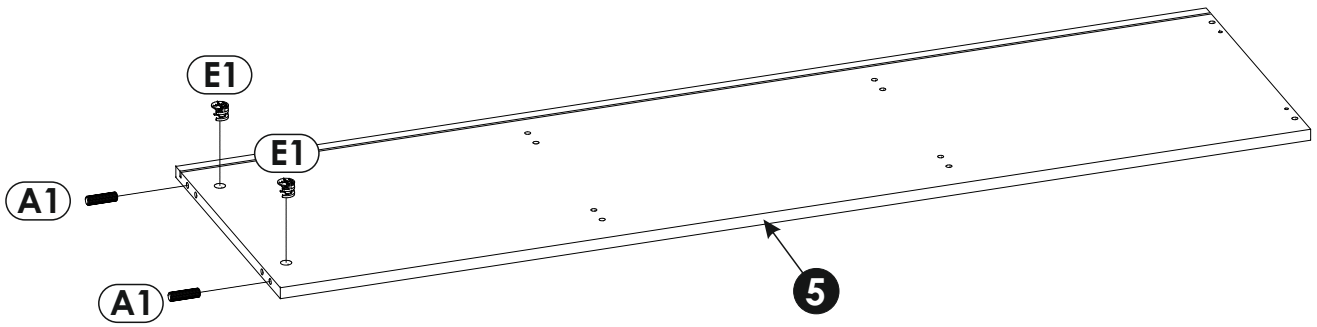
1 ▶



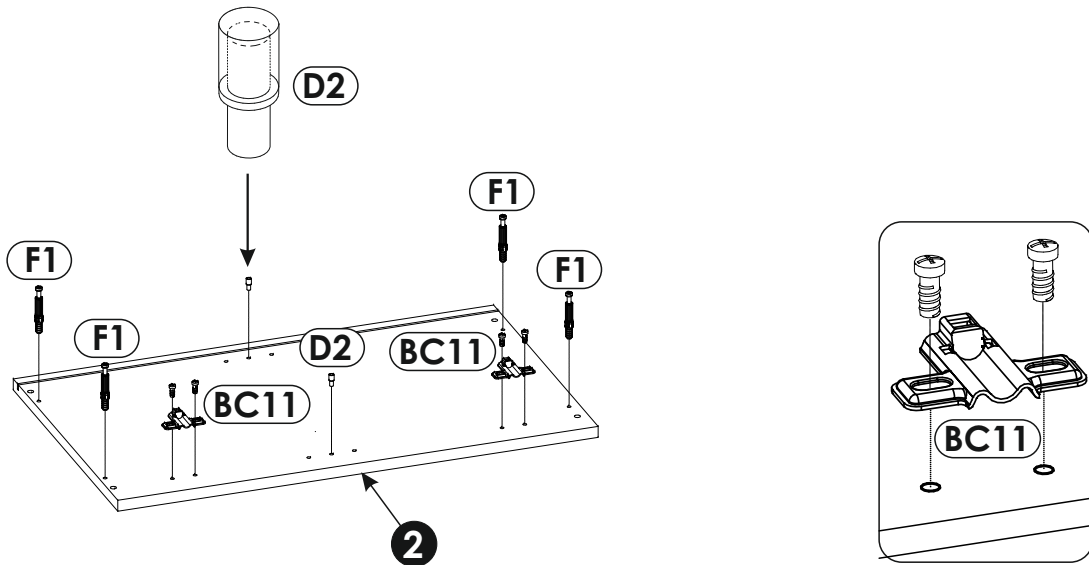
2 ▶



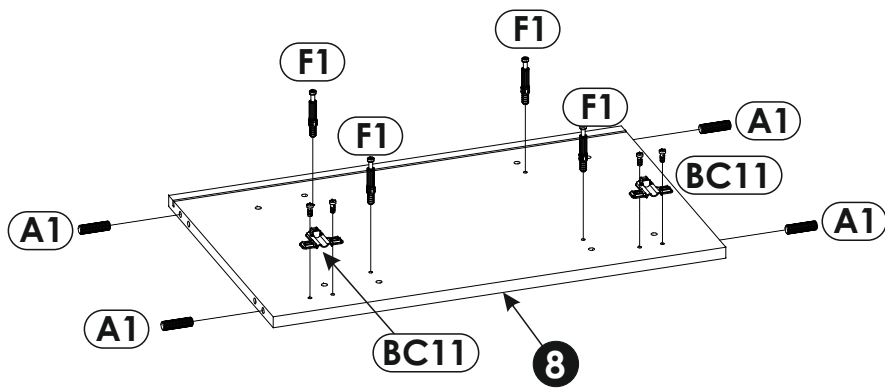
3 ▶



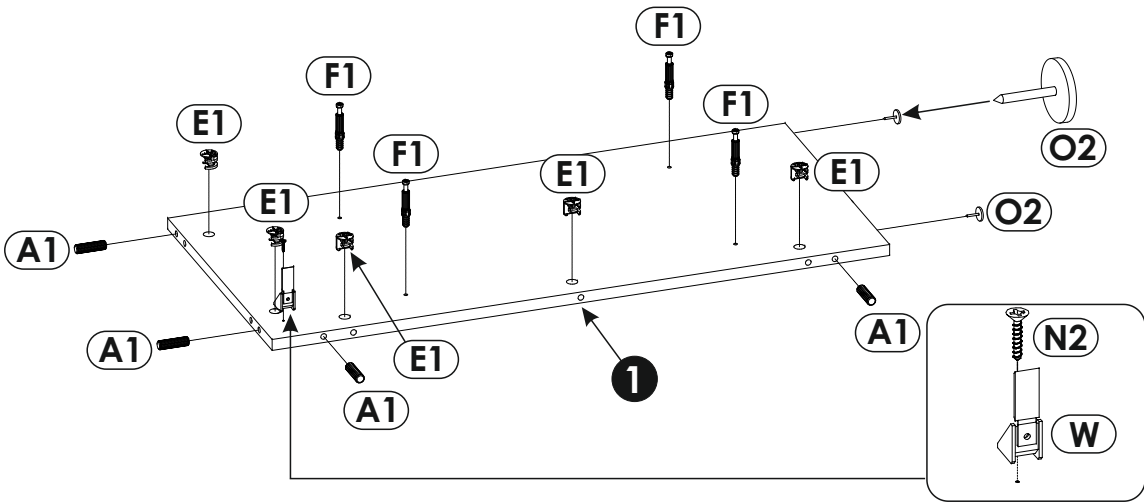
4 ▶



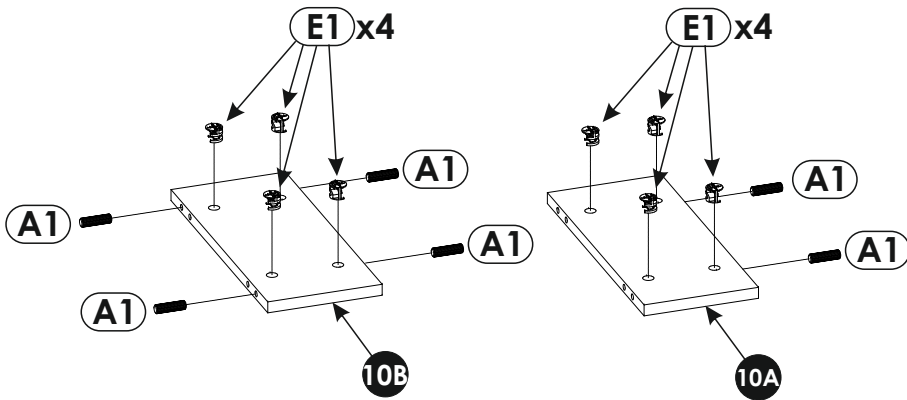
5 ▶



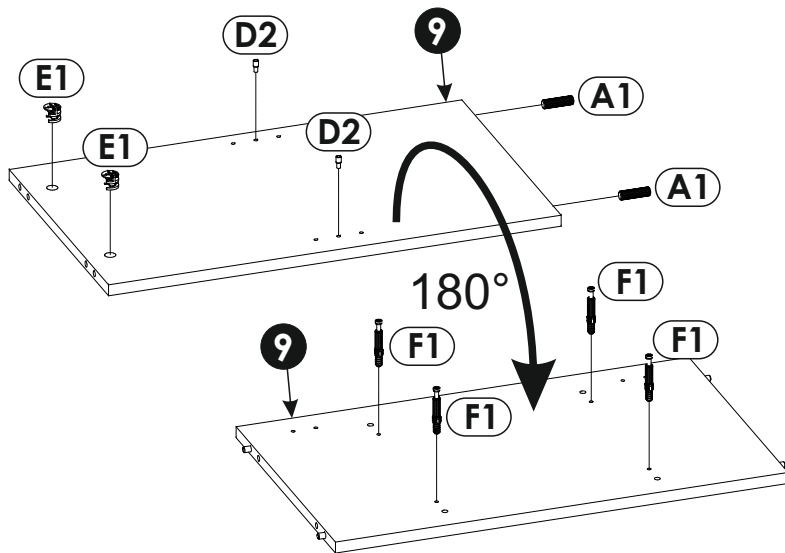
6 ▶



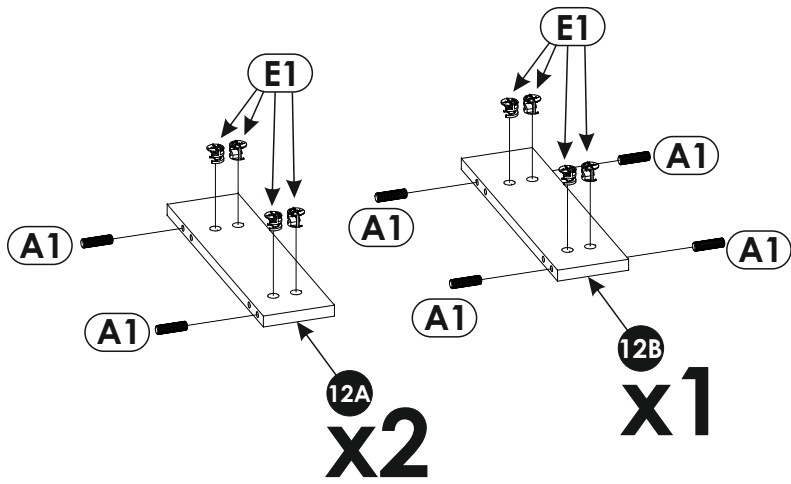
7 ▶



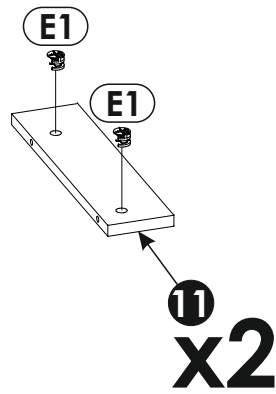
8 ▶



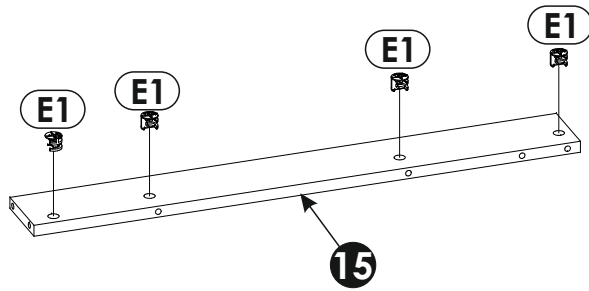
9 ▶



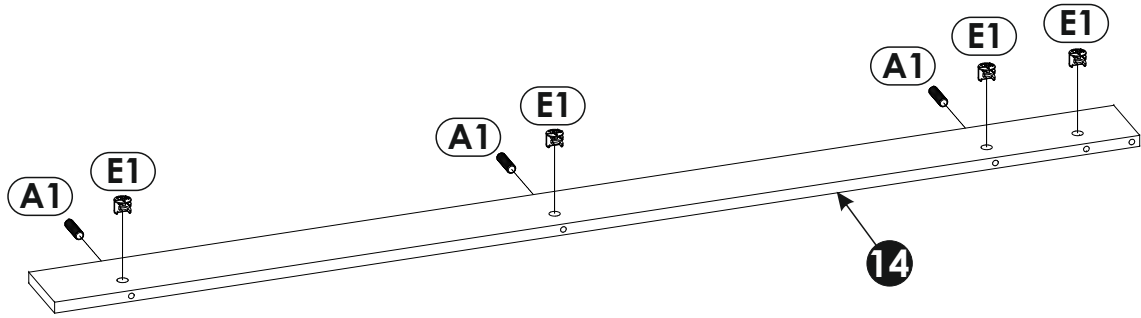
10 ▶



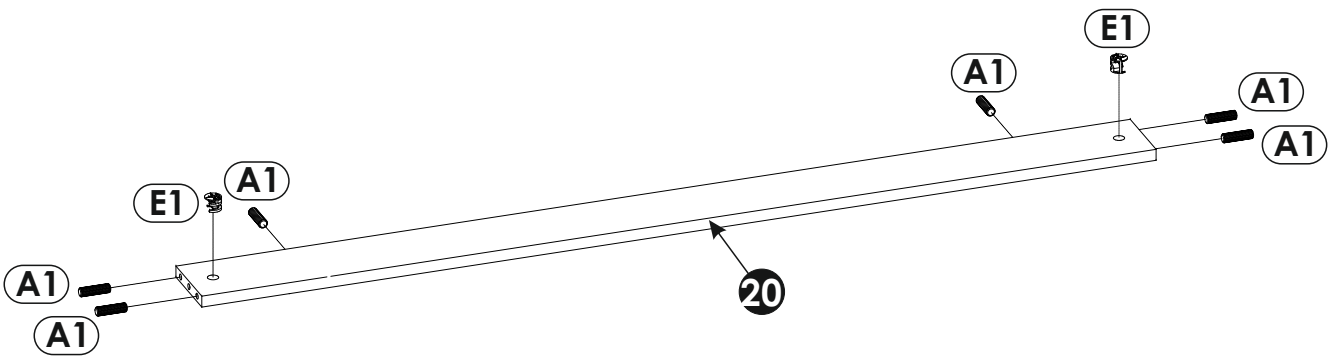
11 ▶



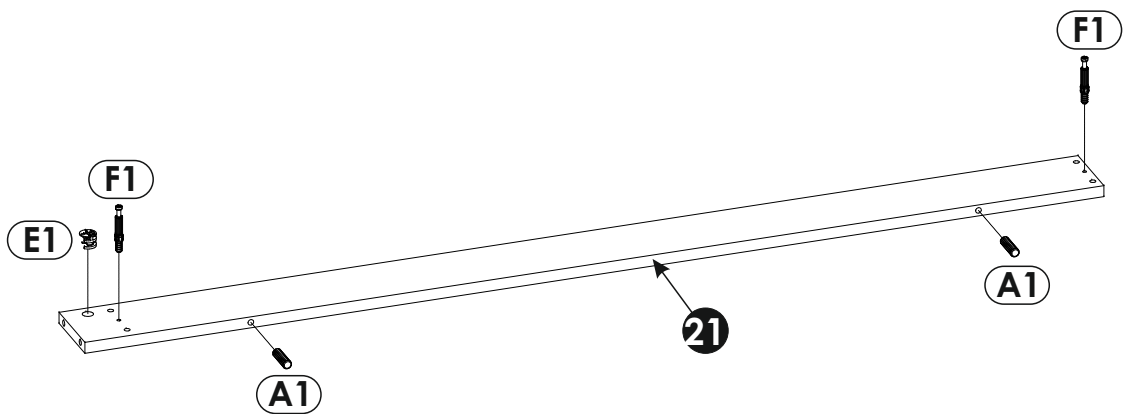
12▶



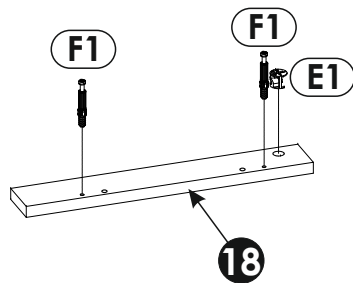
13▶



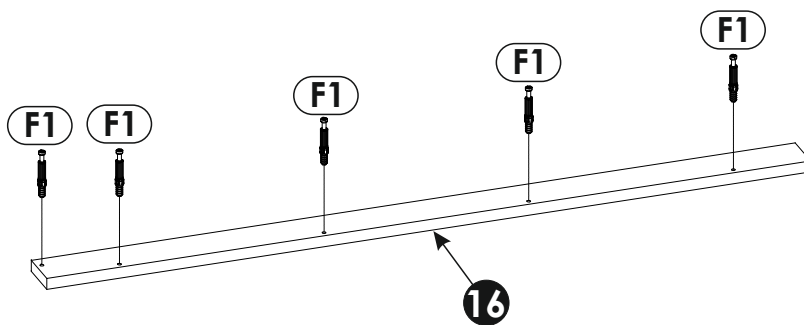
14▶



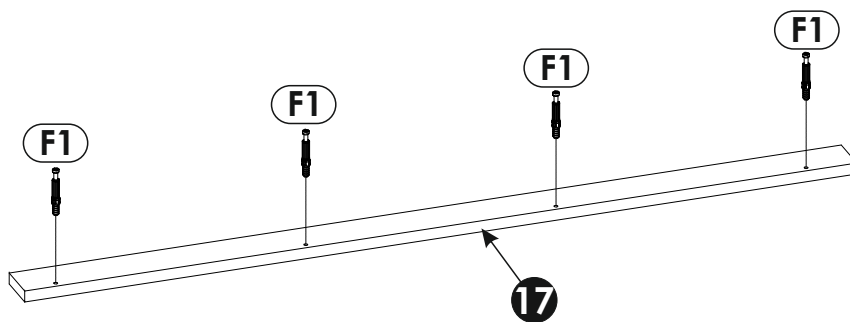
15▶



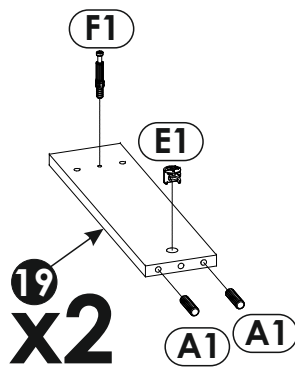
16▶



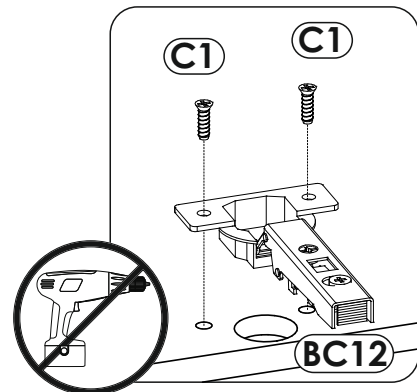
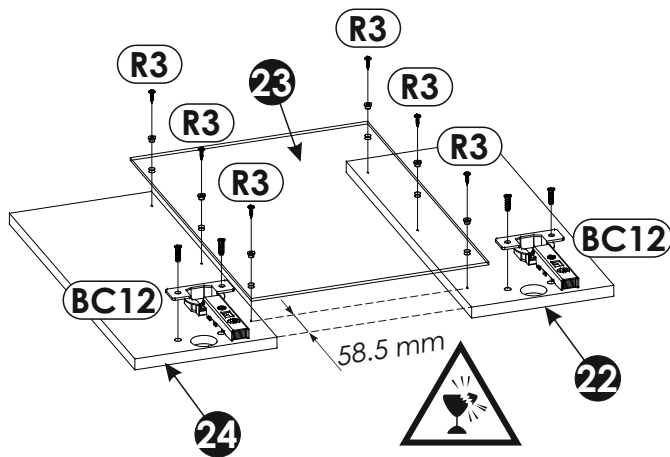
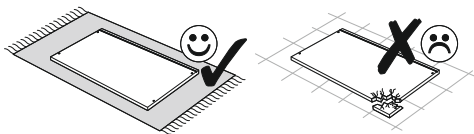
17▶



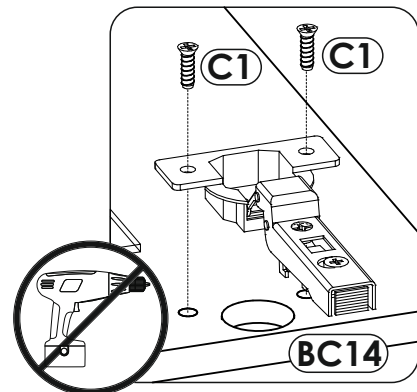
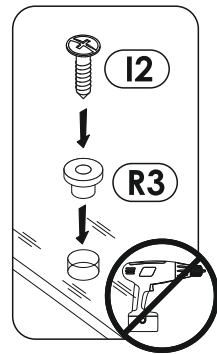
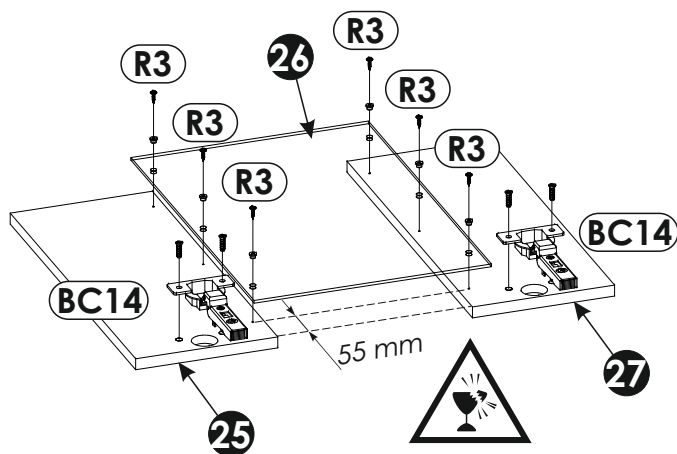
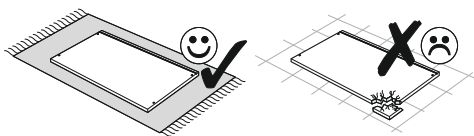
18▶



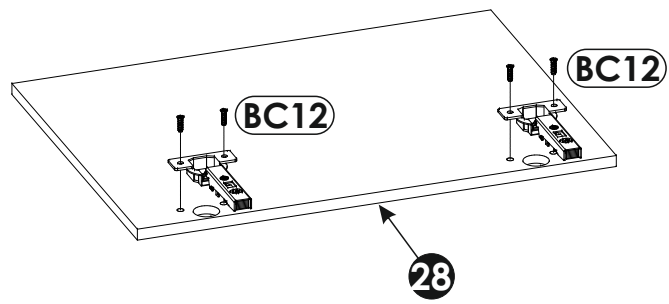
19▶



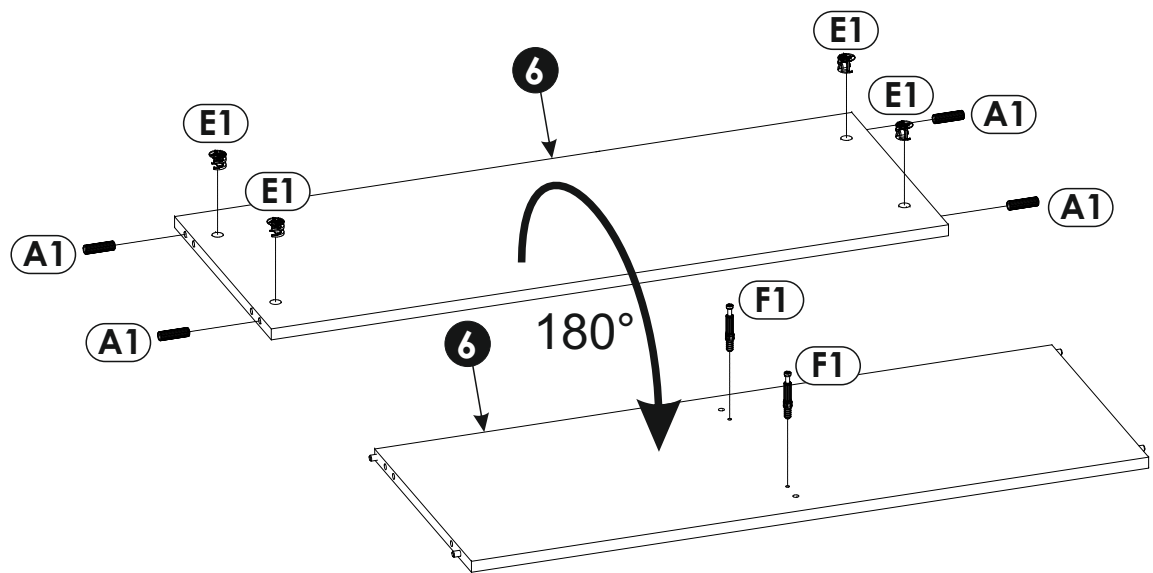
20▶



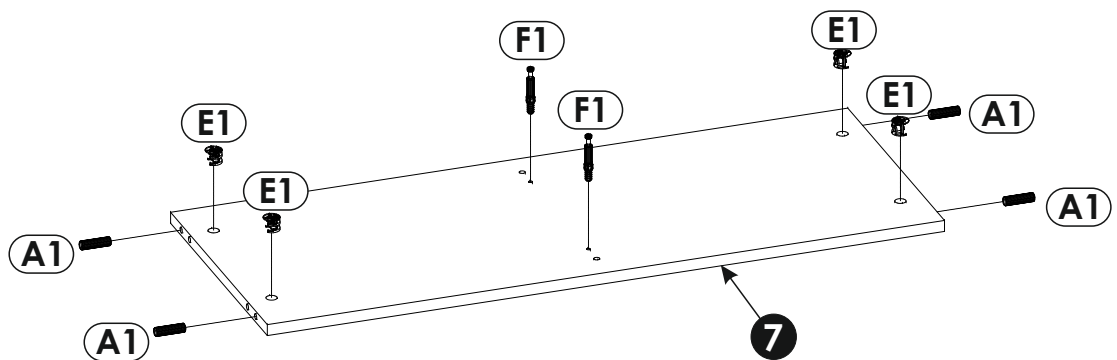
21▶



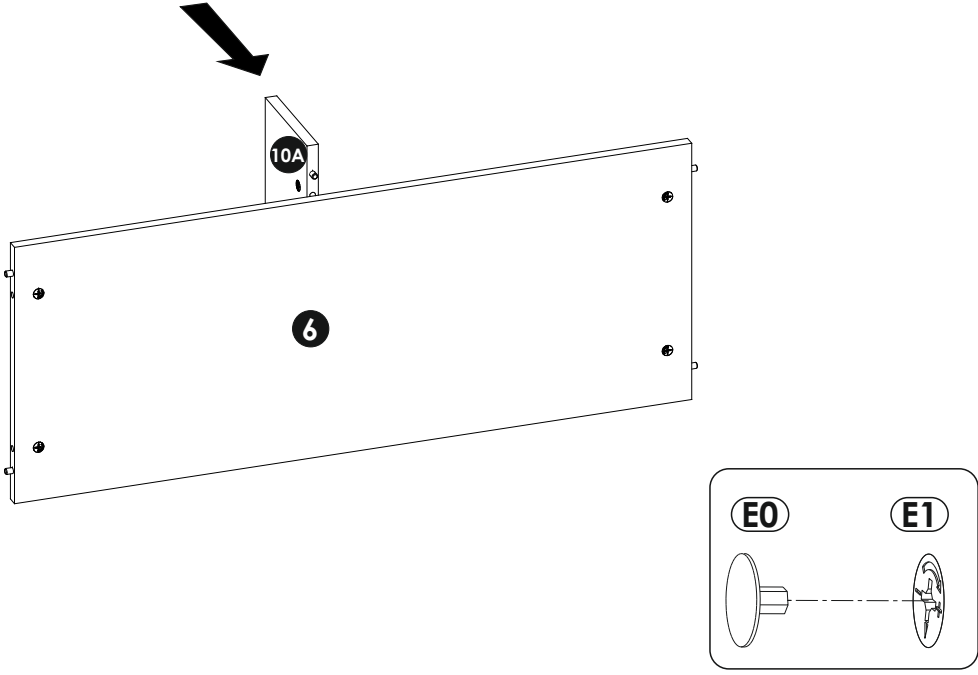
22▶



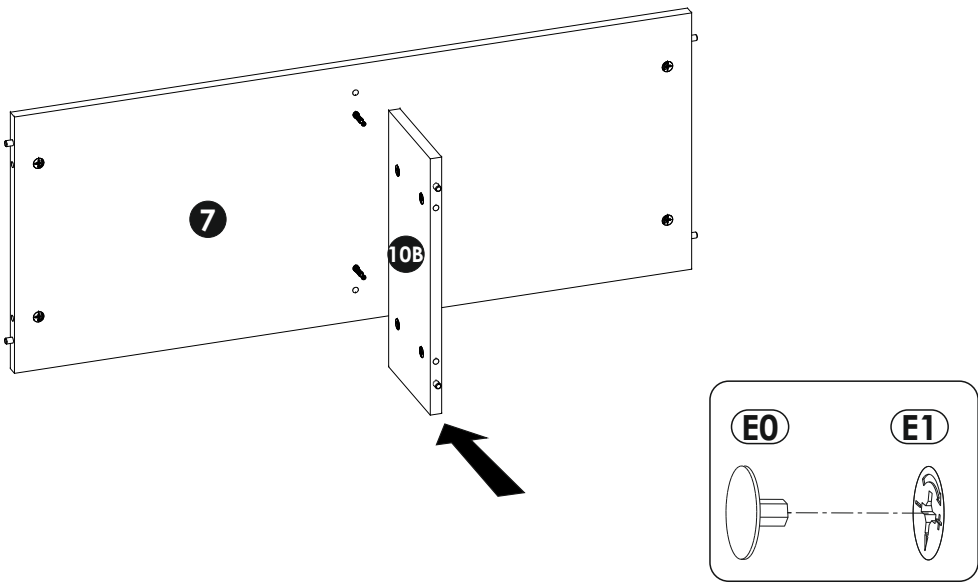
23▶



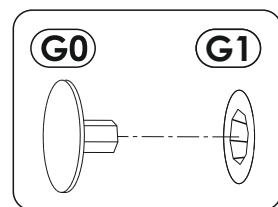
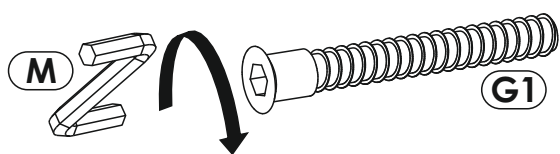
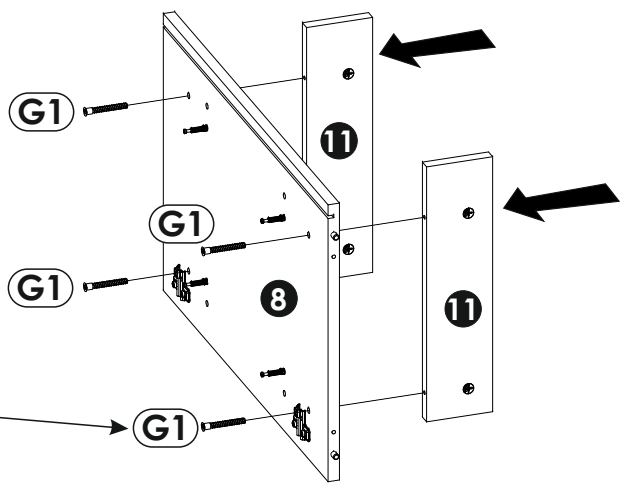
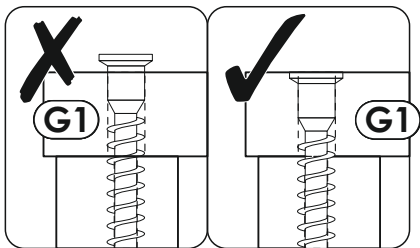
24 ▶



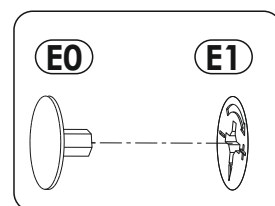
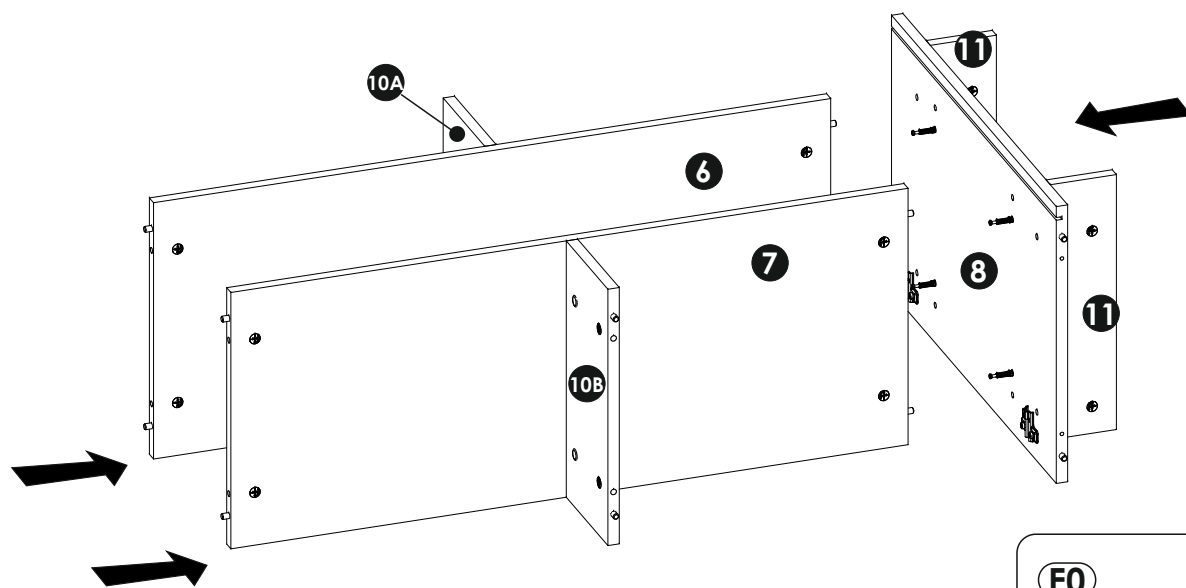
25 ▶



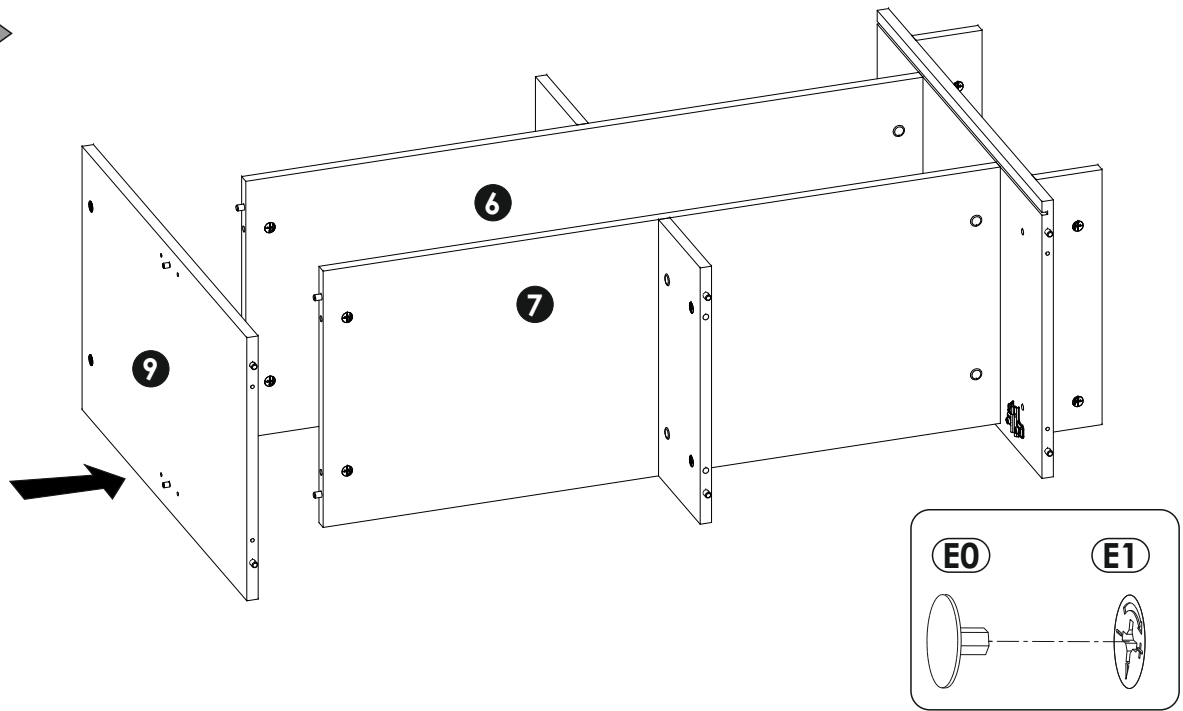
26 ▶



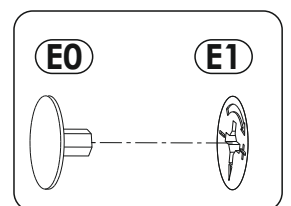
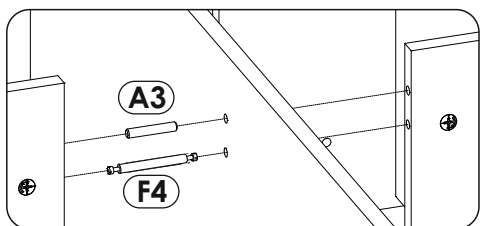
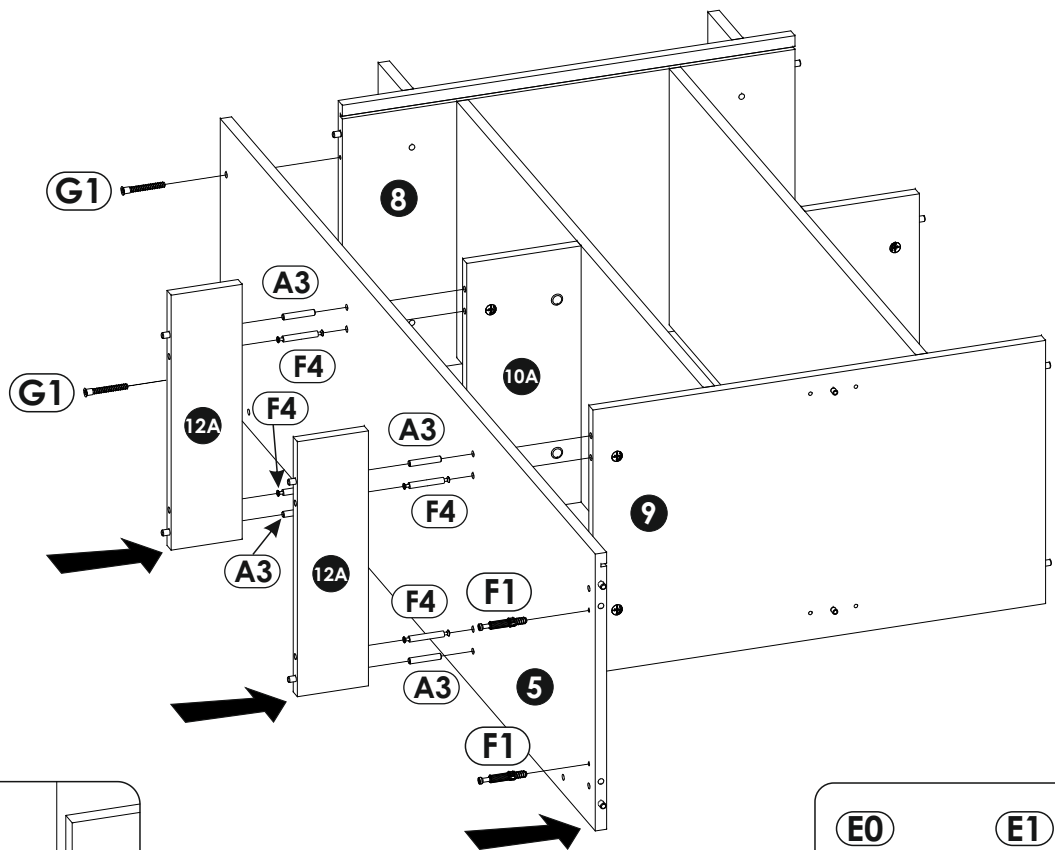
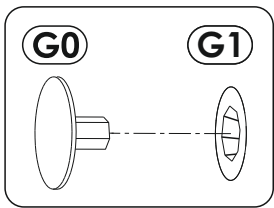
27 ▶



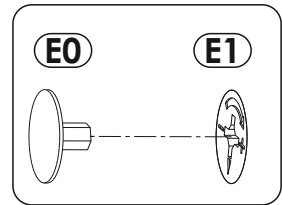
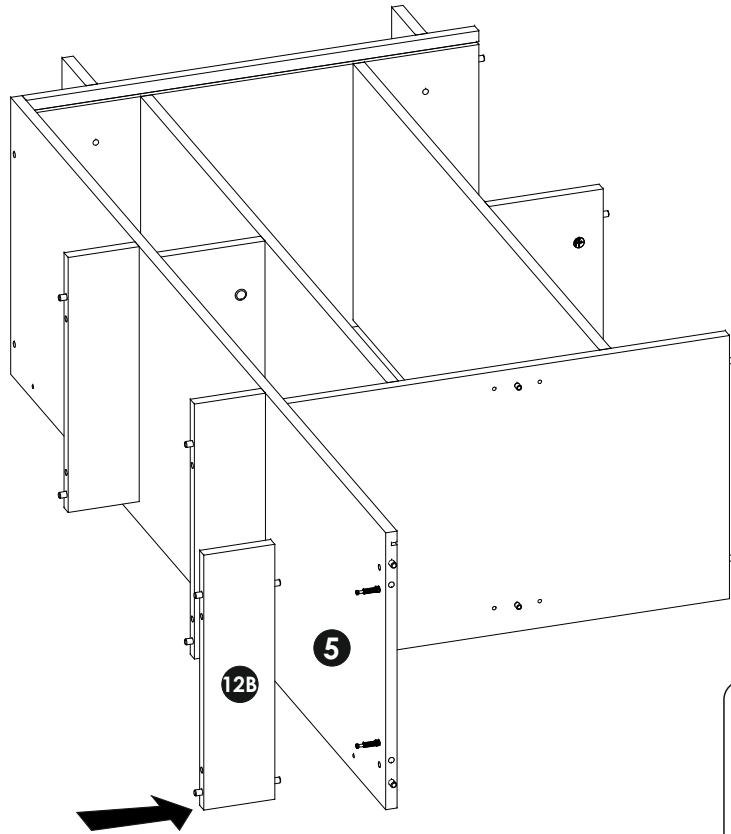
28 ▶



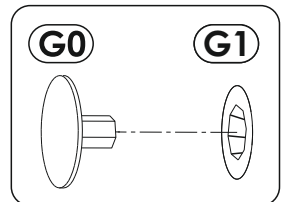
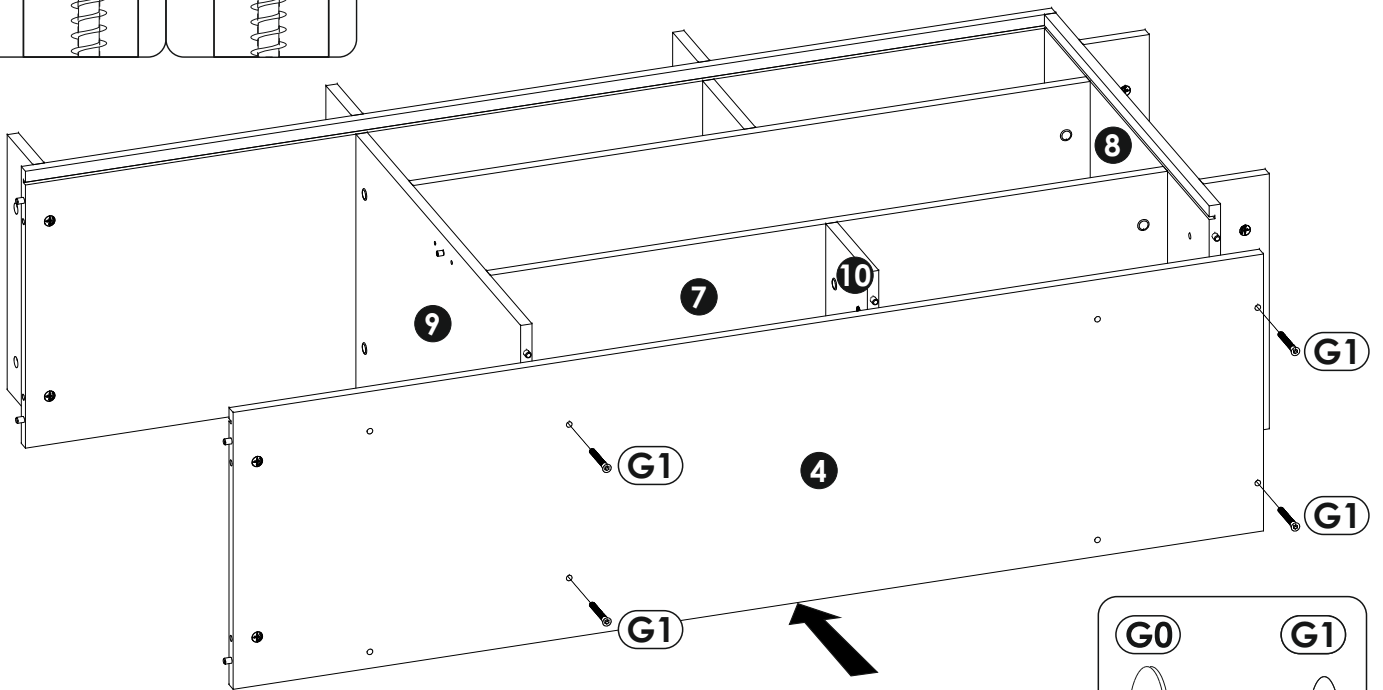
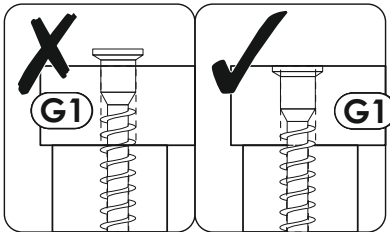
29 ▶



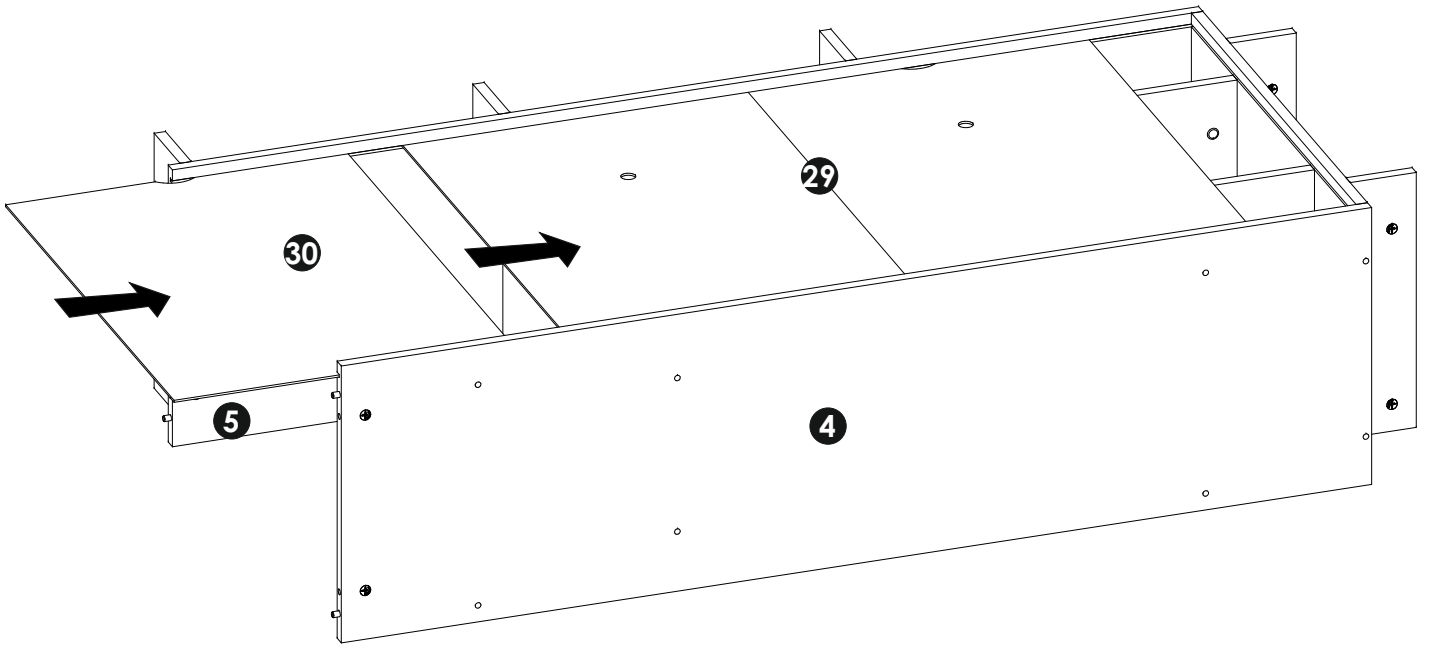
30 ▶



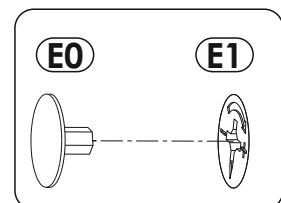
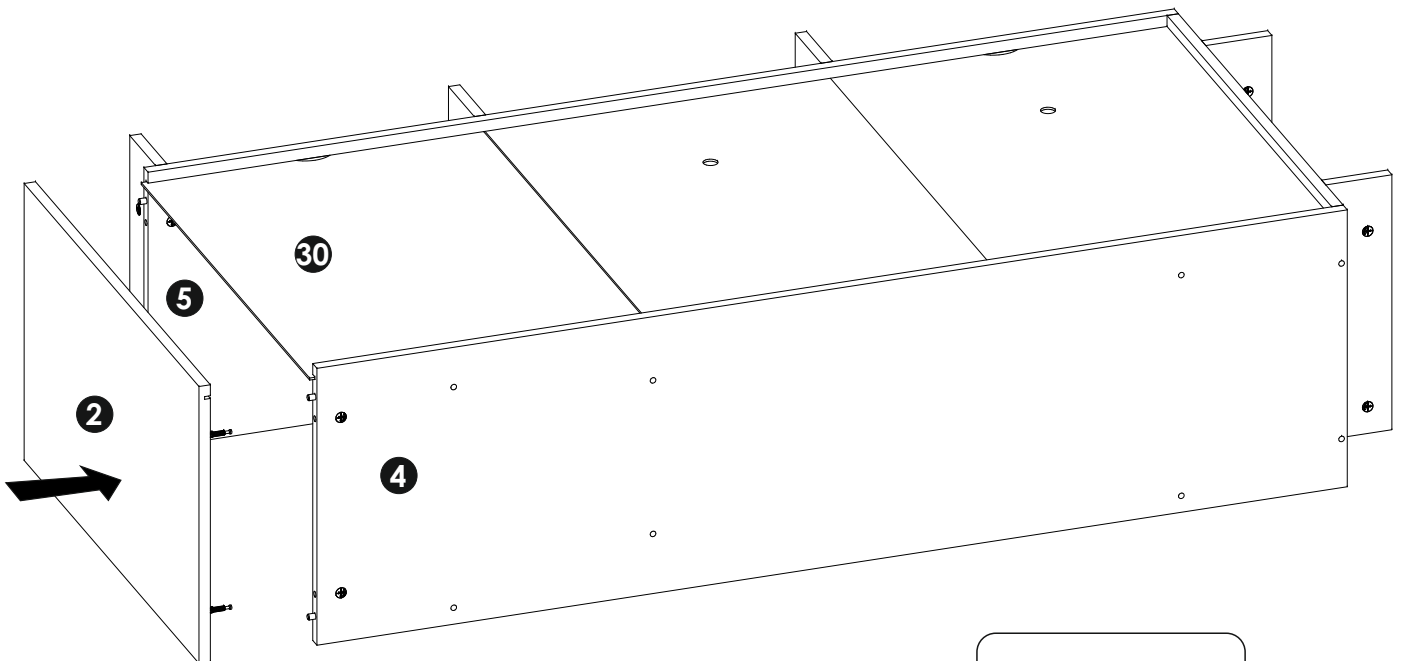
31 ▶

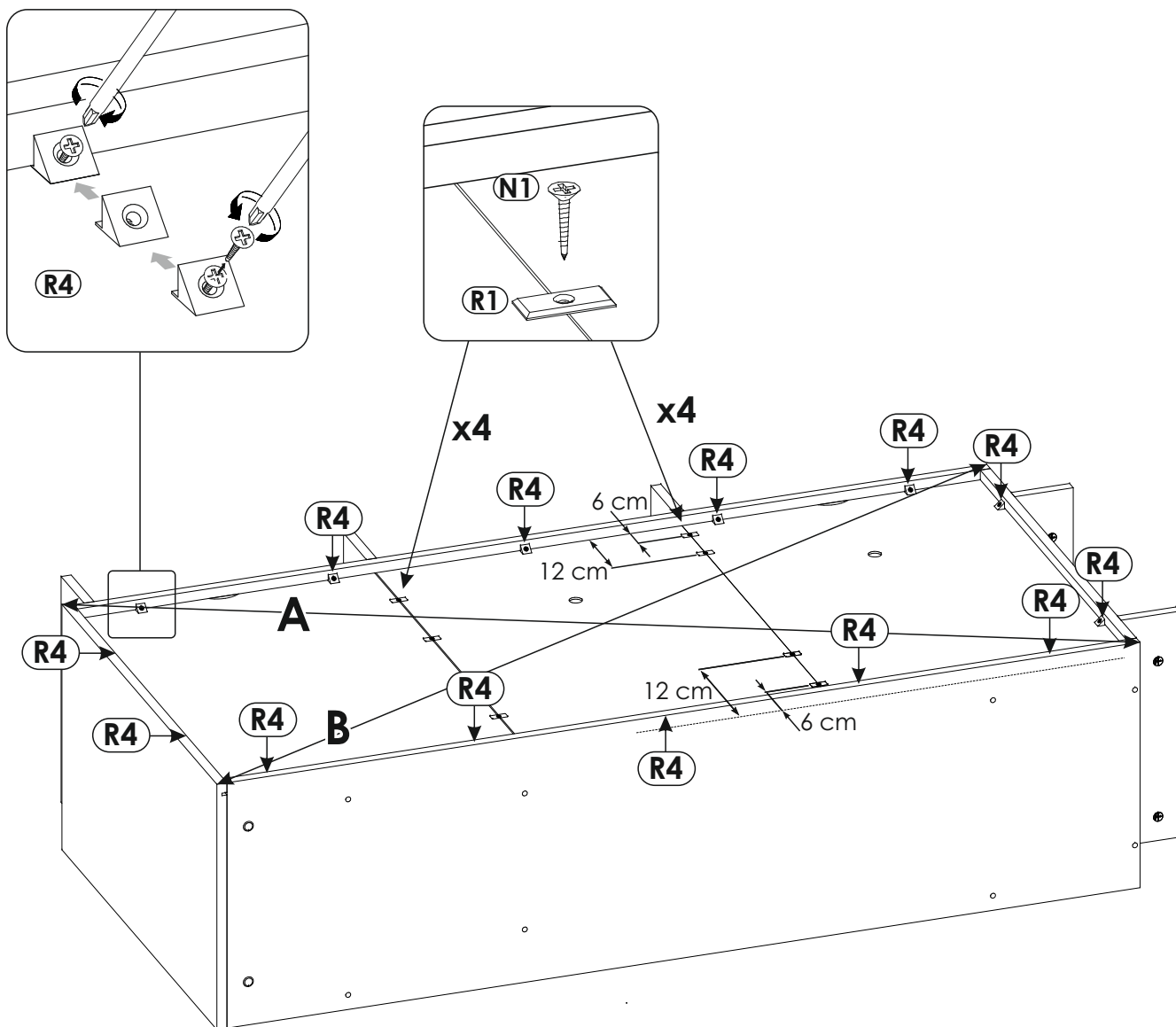


32 ▶

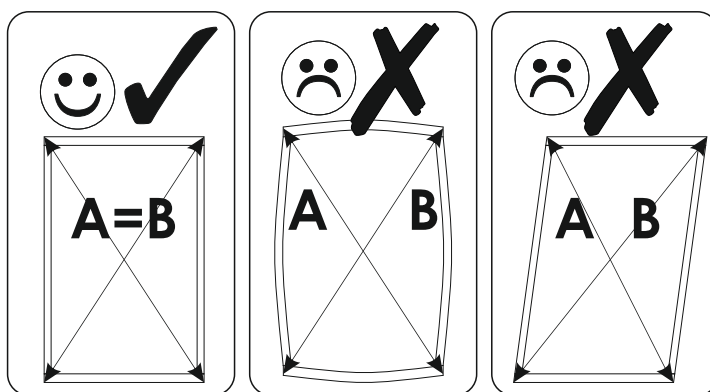


33 ▶

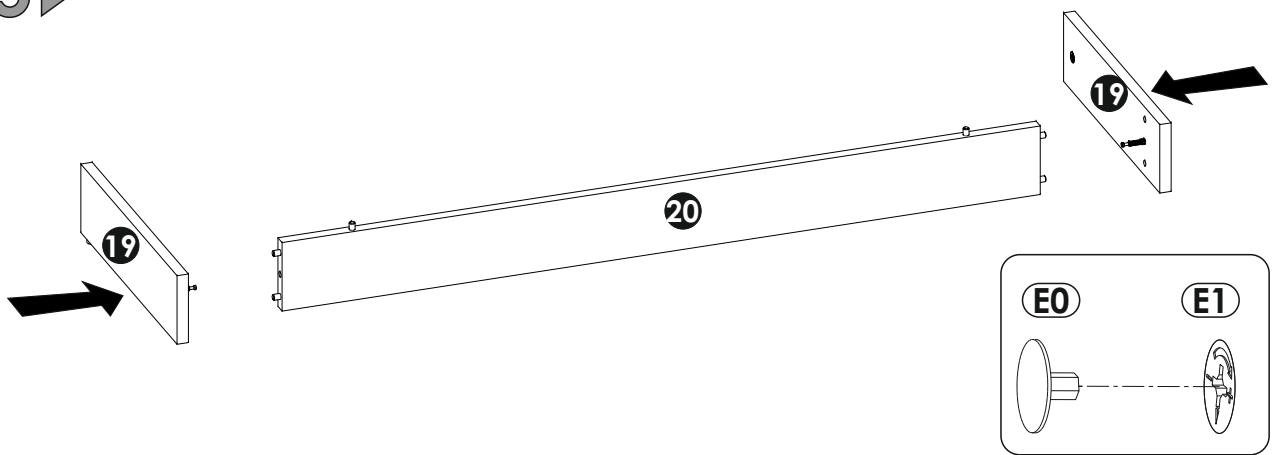




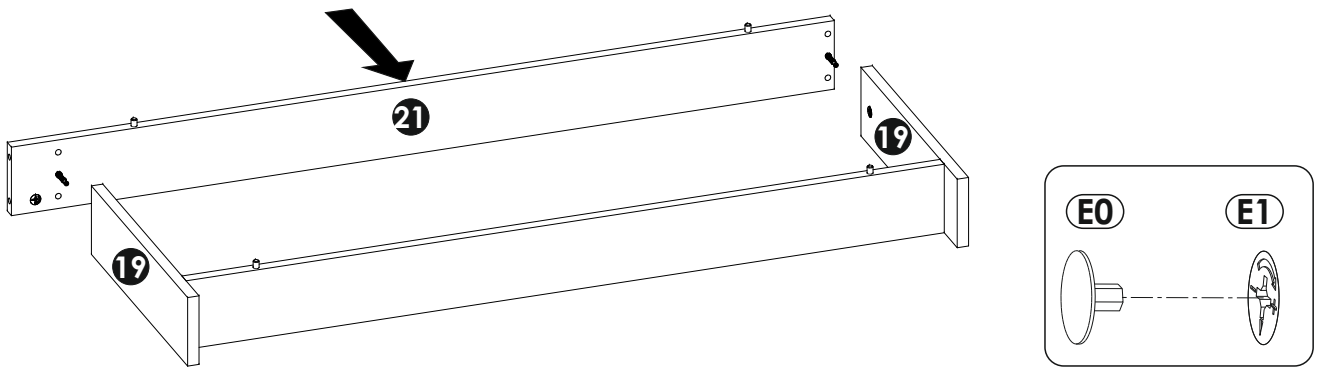
A=B



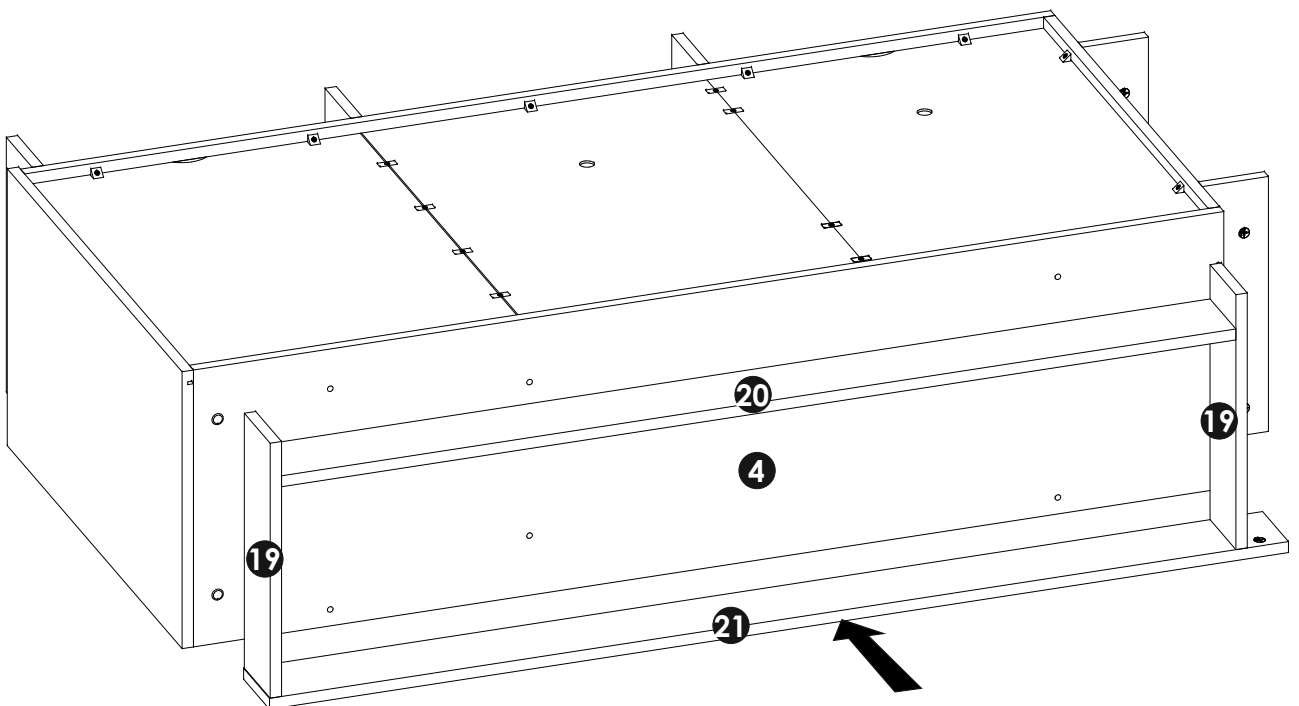
35▶

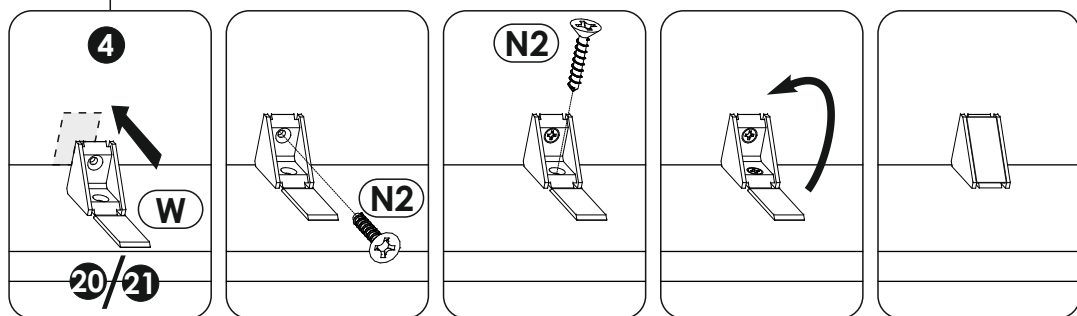
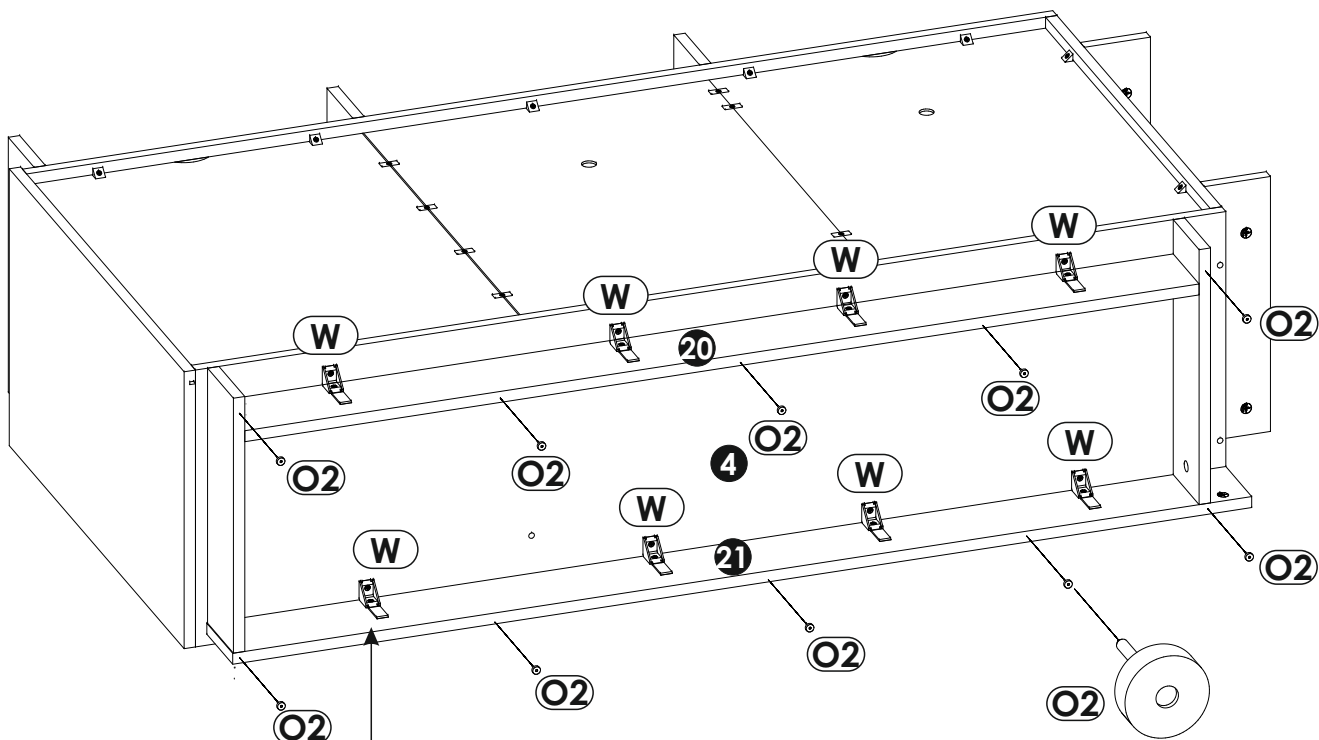


36▶

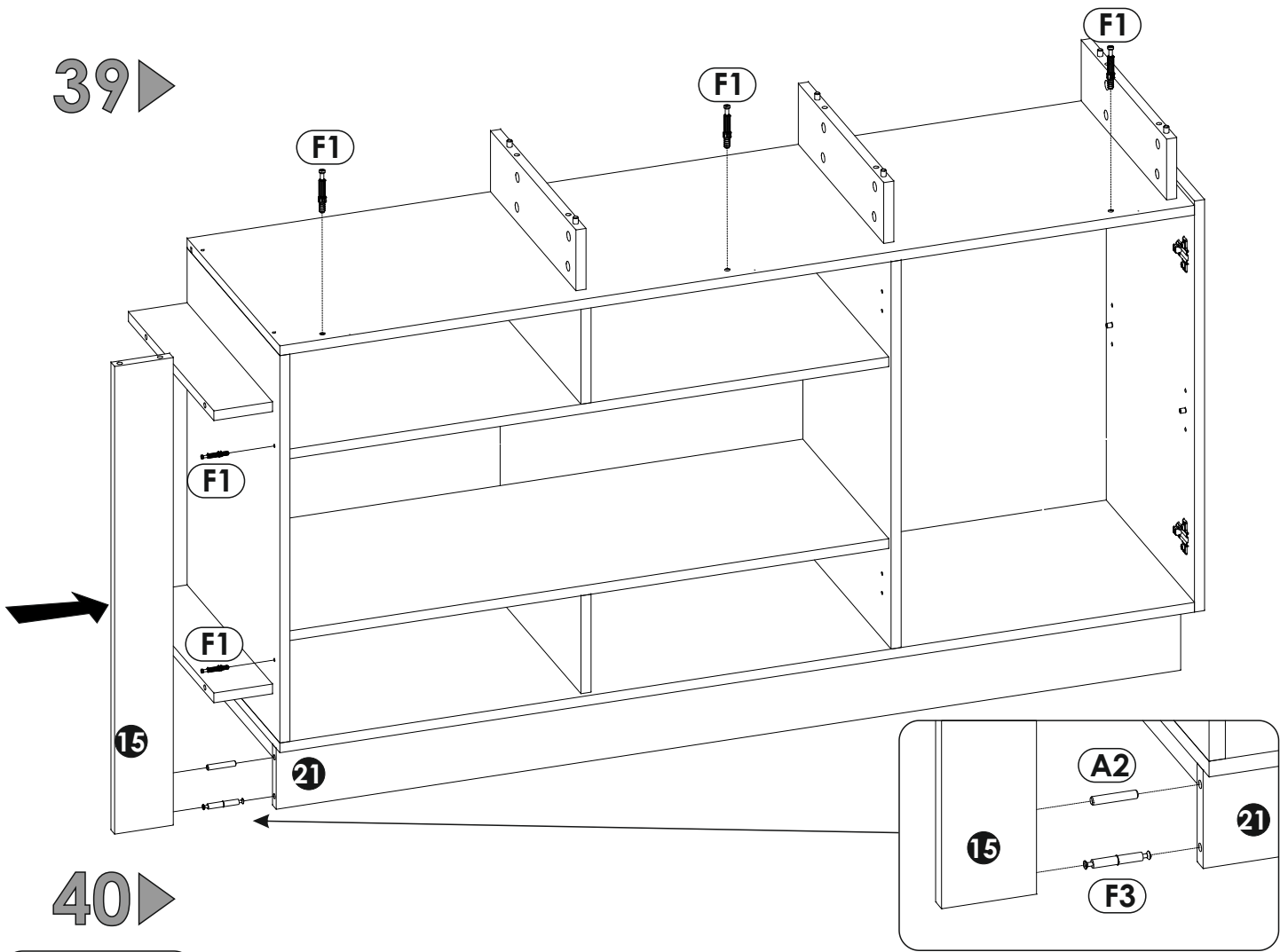


37▶

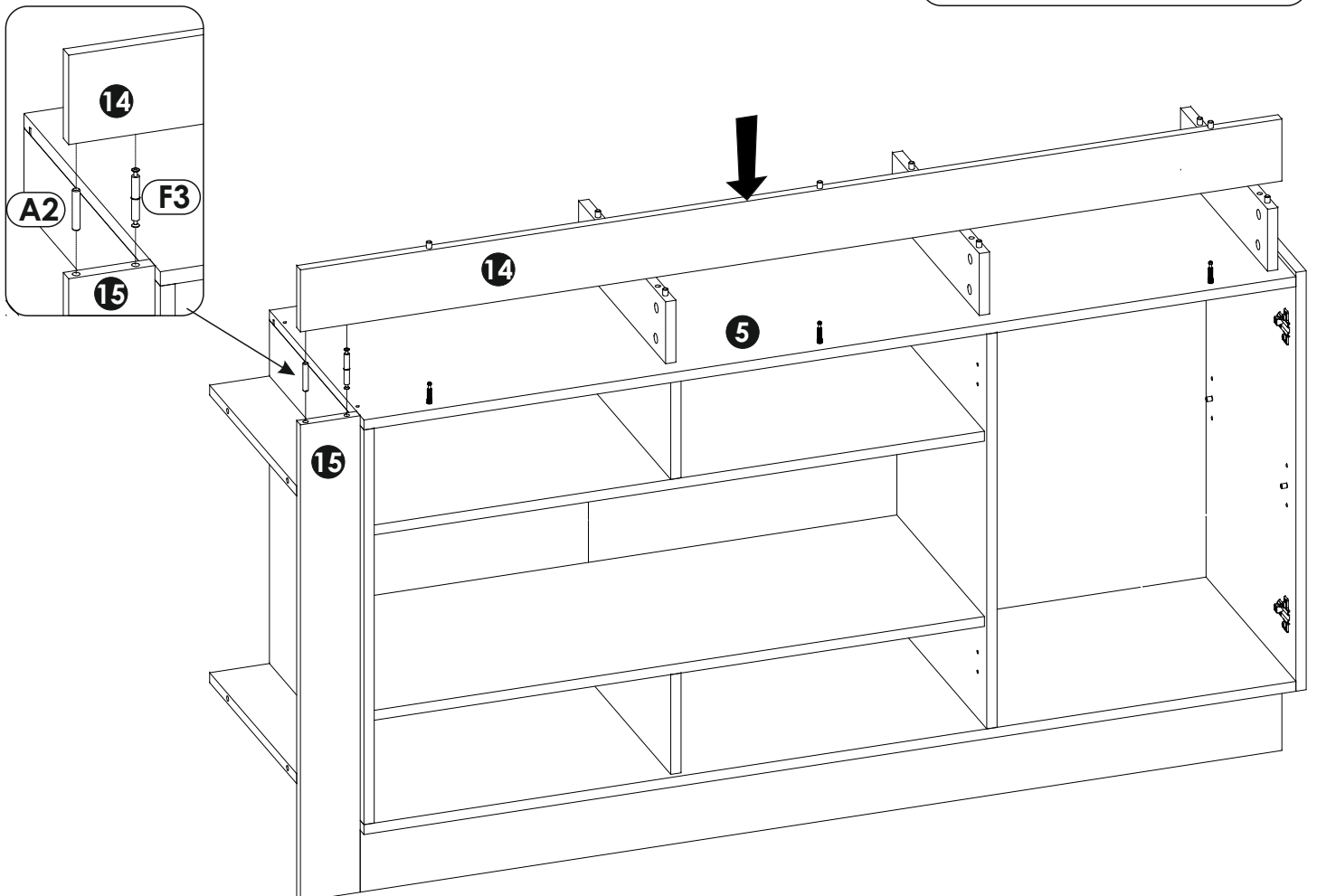




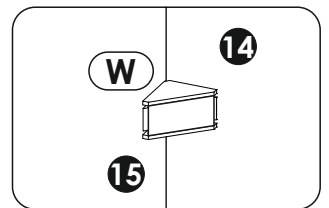
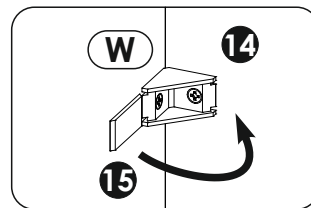
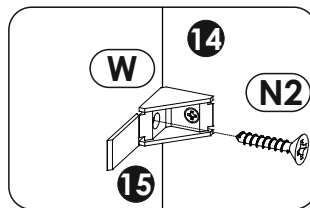
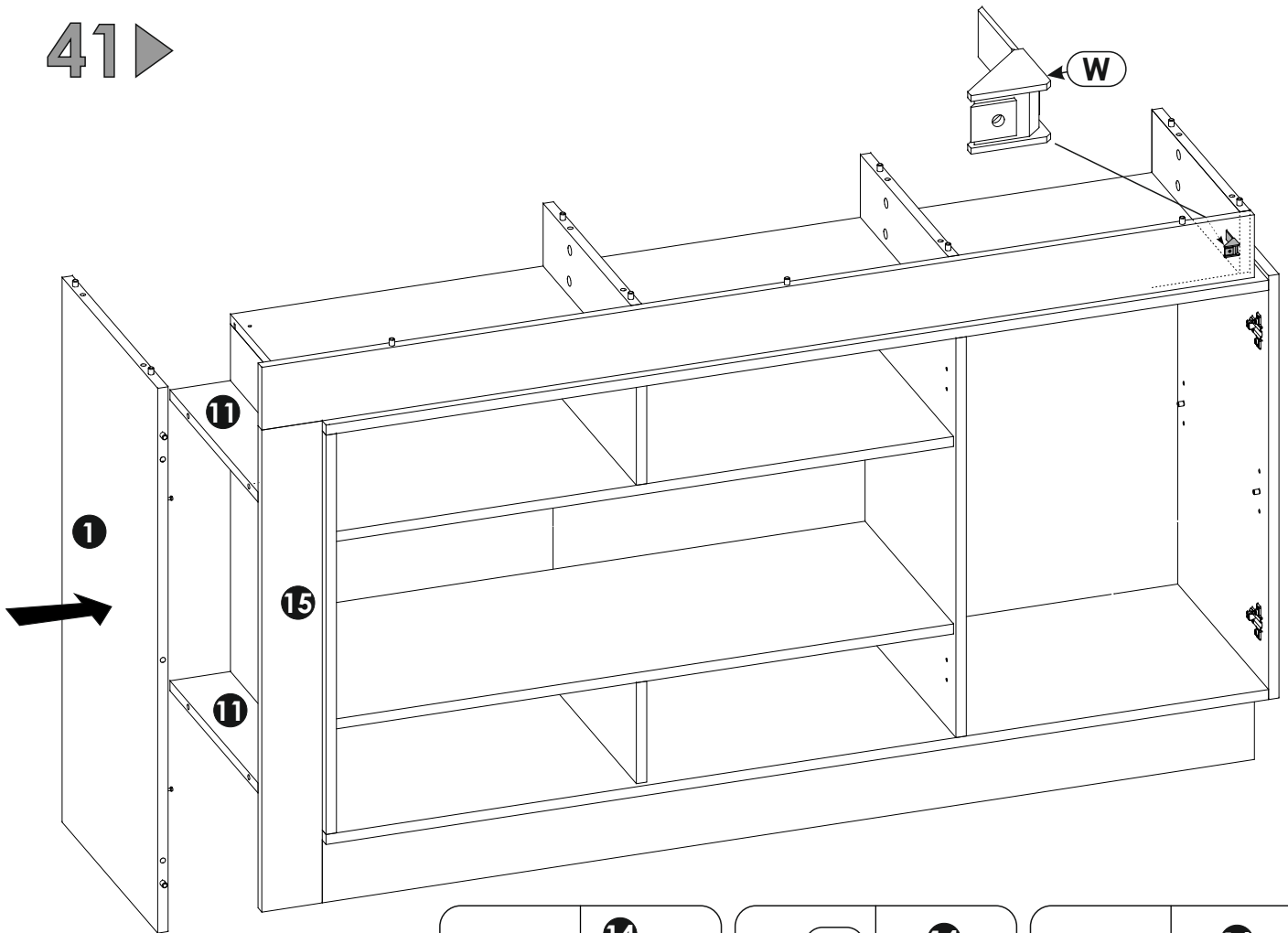
39 ▶



40 ▶

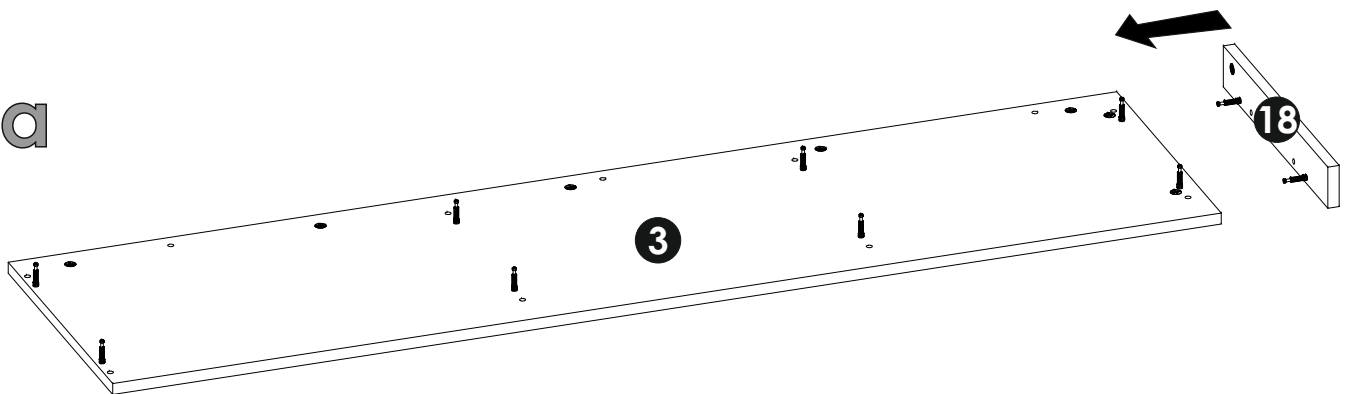


41 ▶

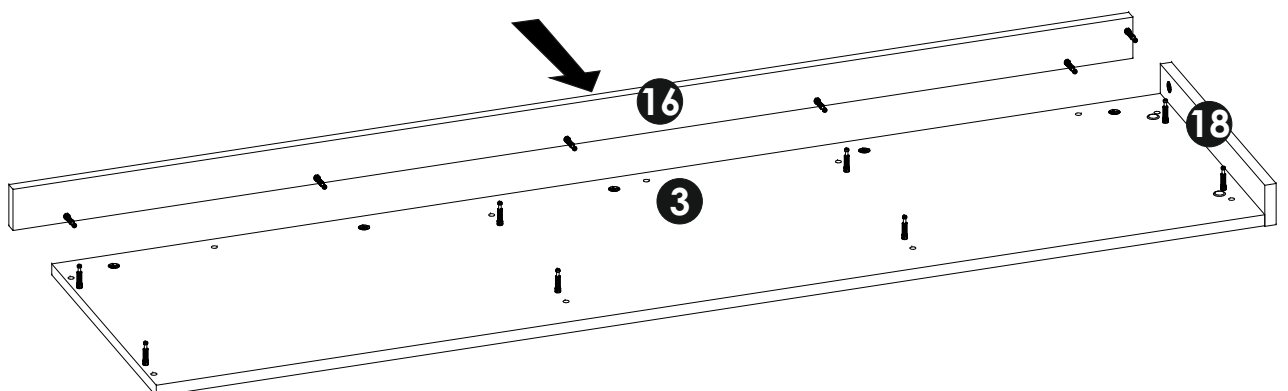


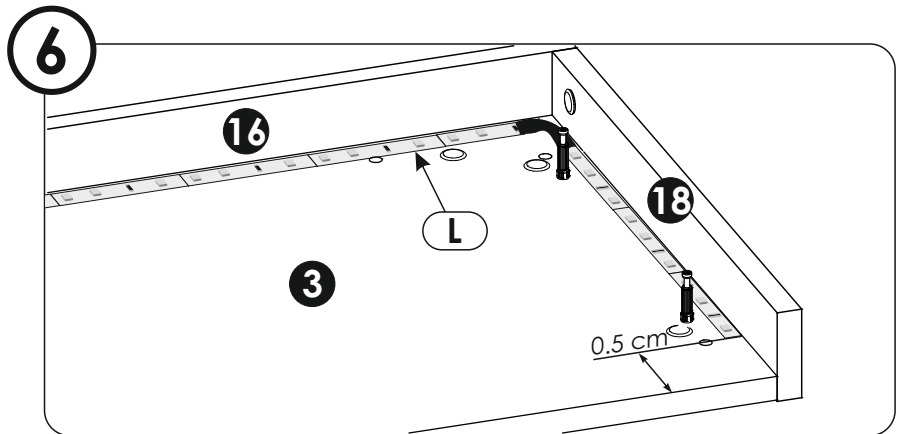
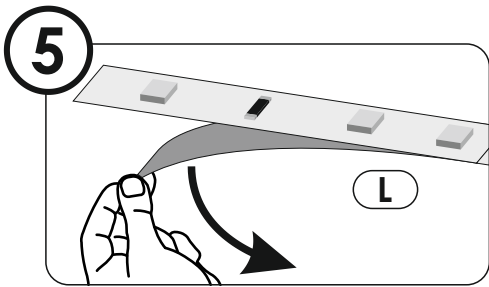
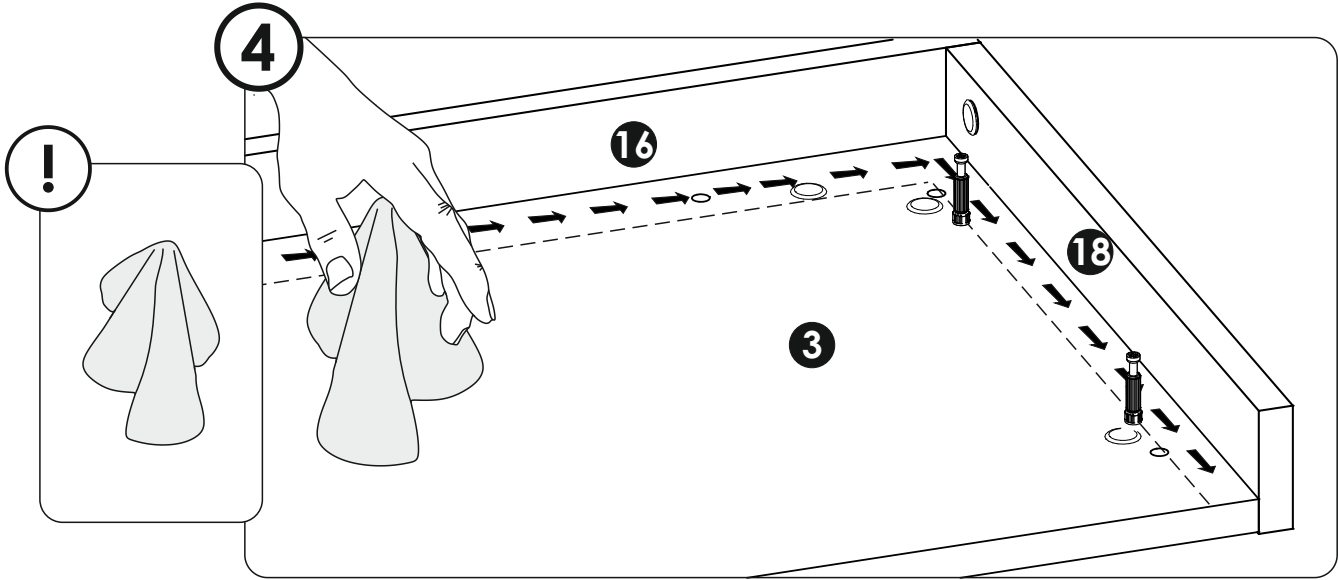
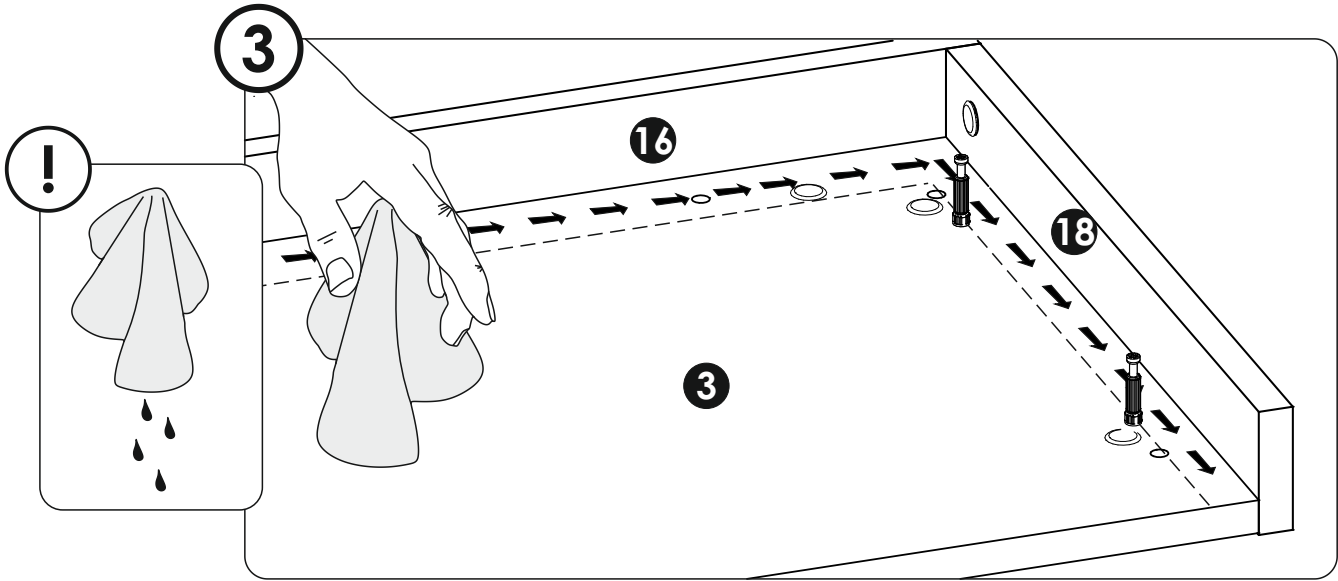
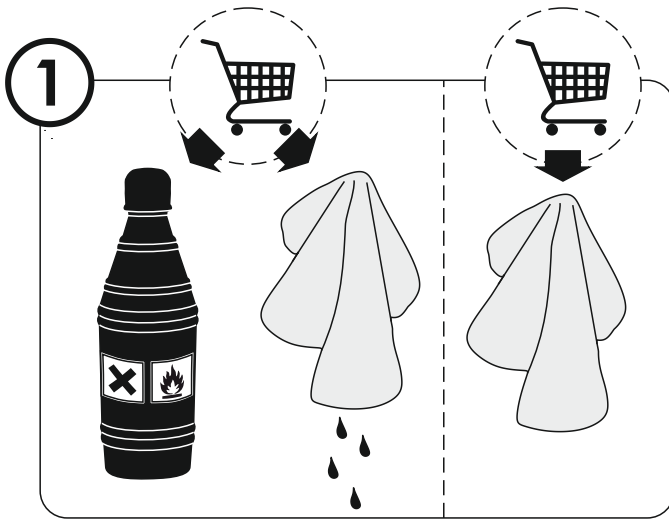
42 ▶

a

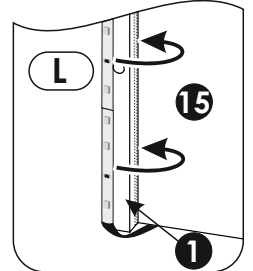
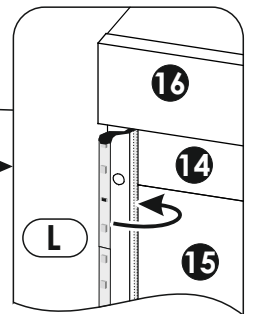
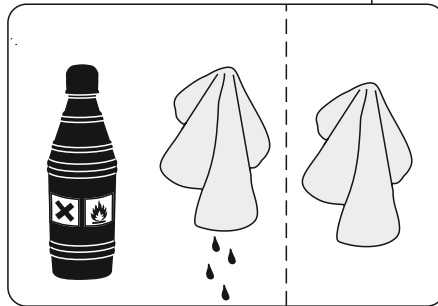
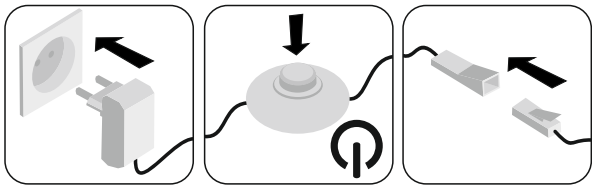
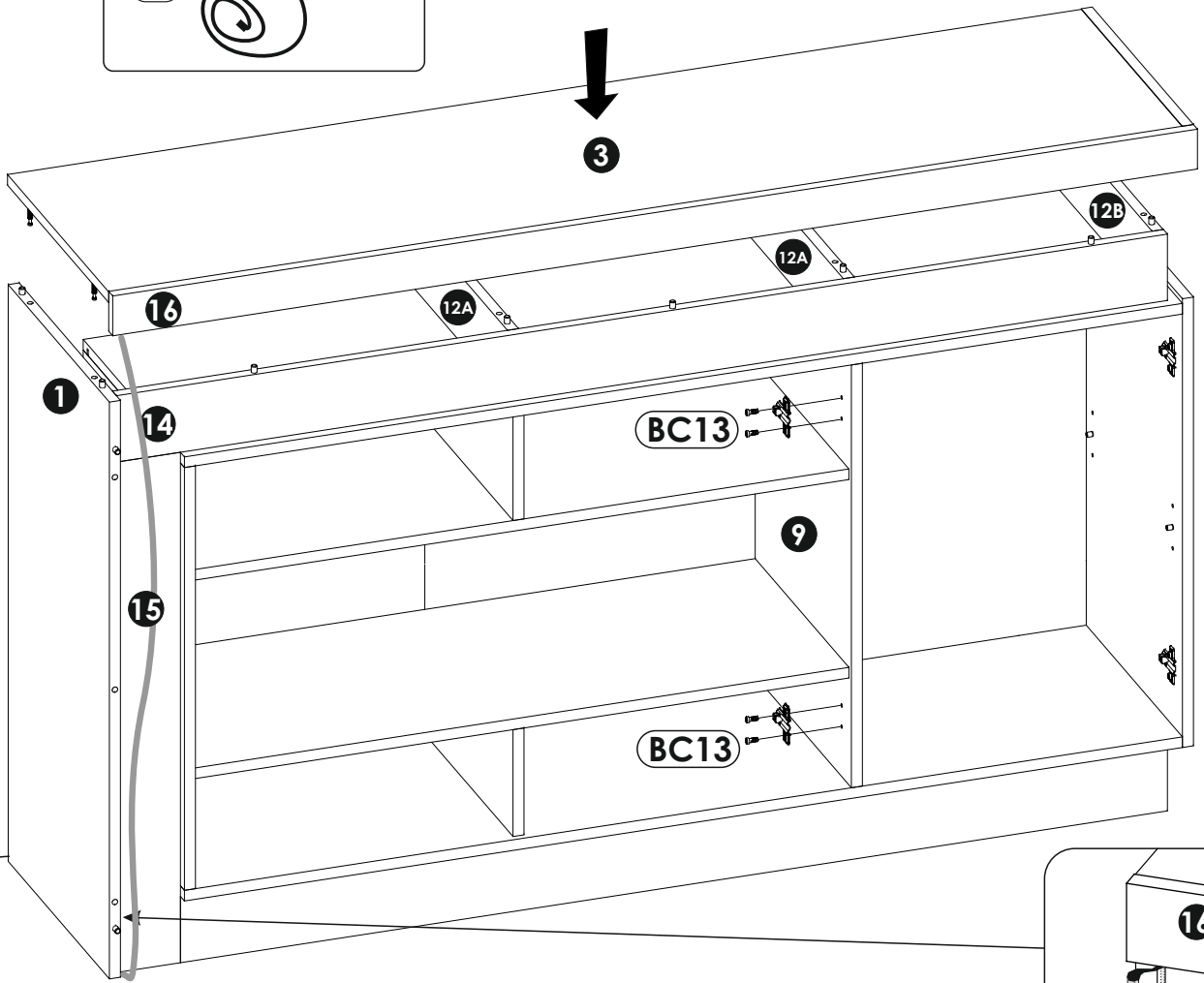
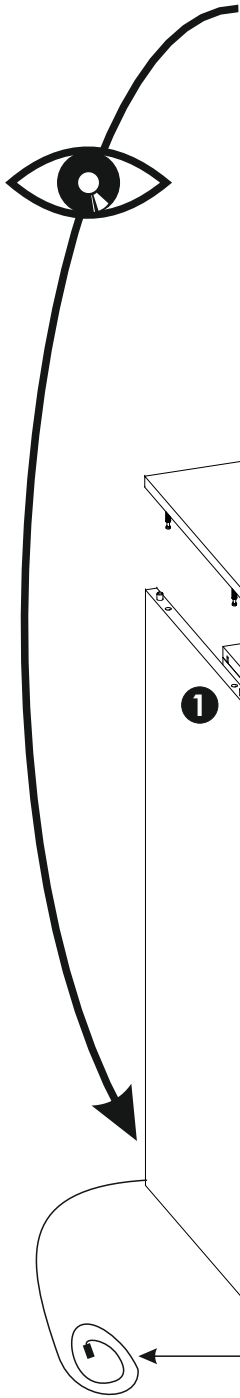
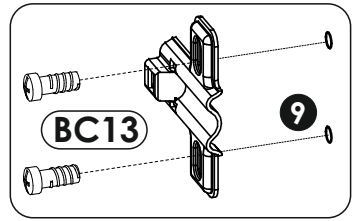
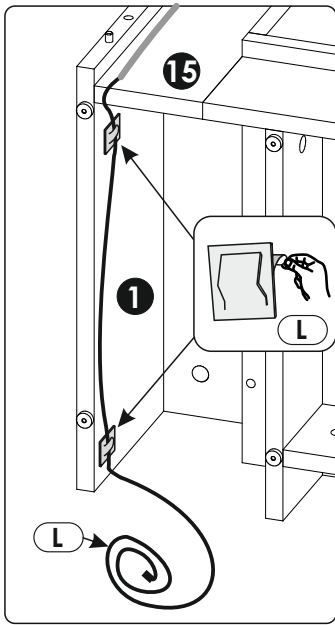


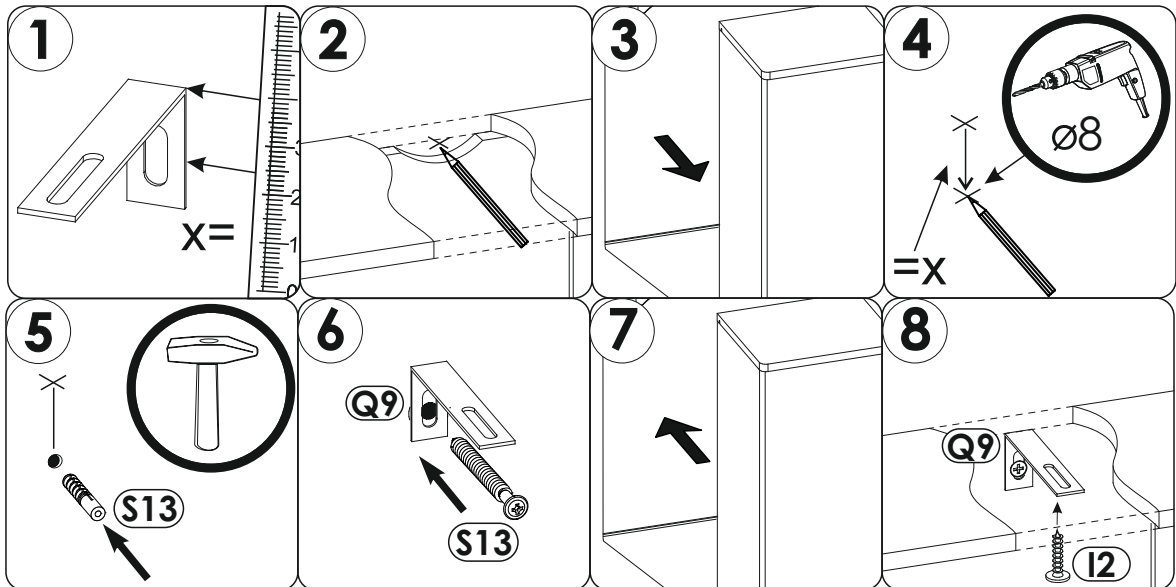
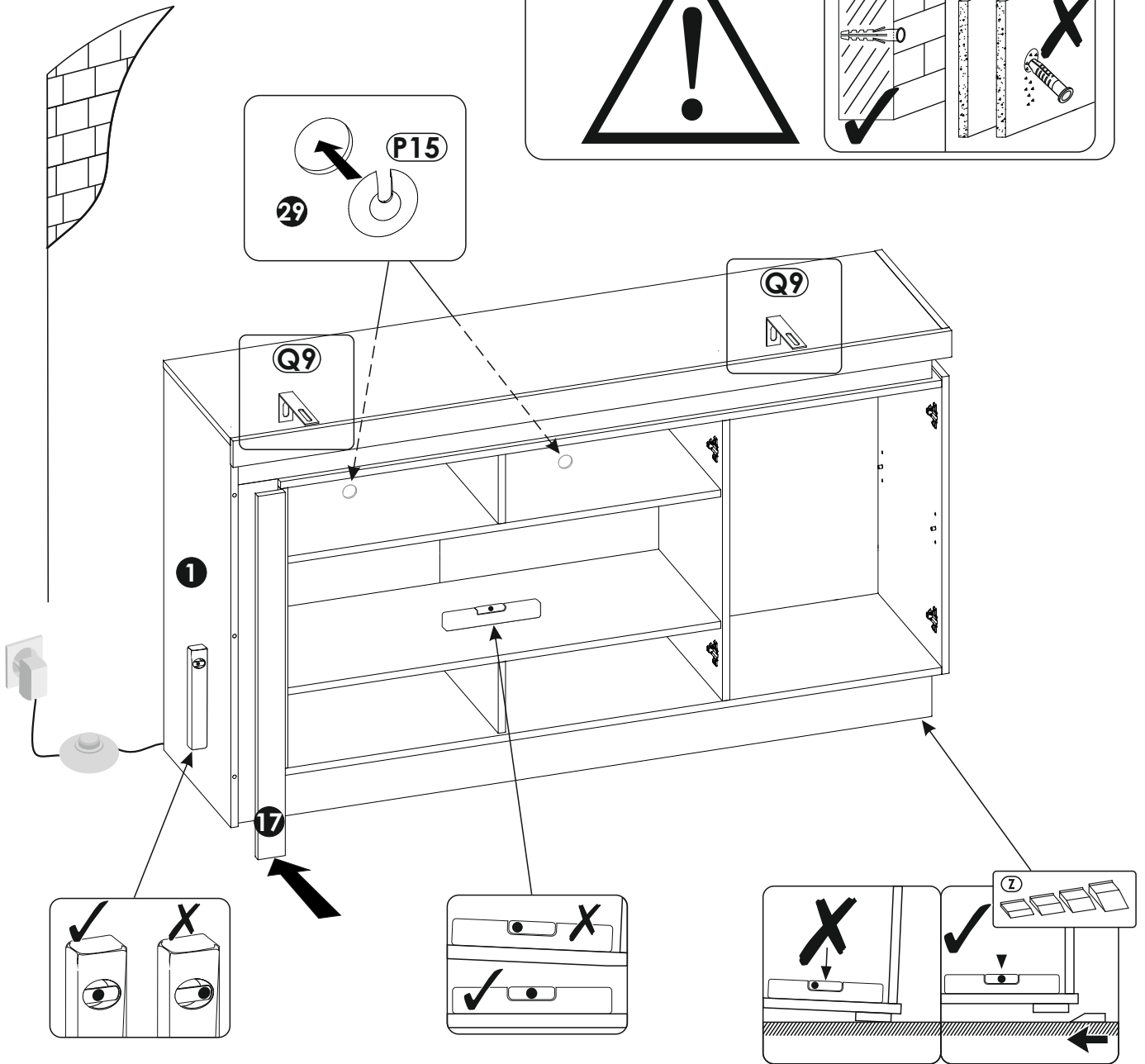
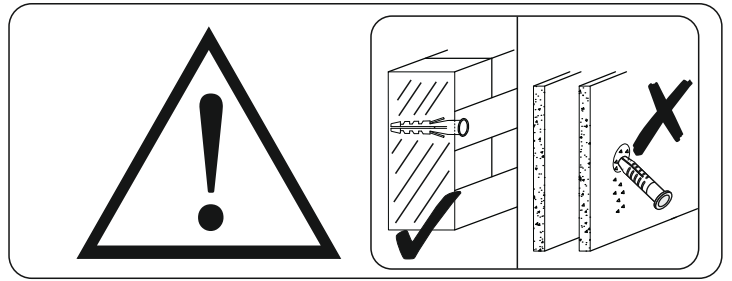
b





44 ▶





46 ▶

