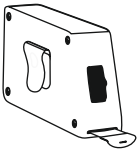
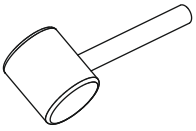
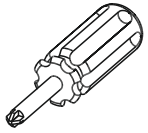
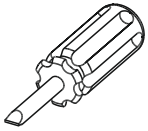
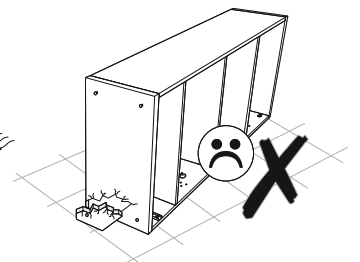
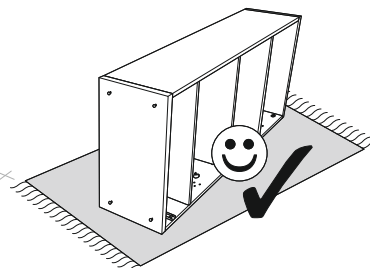
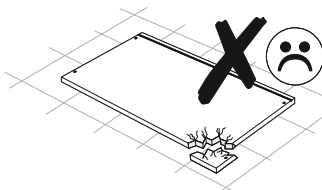
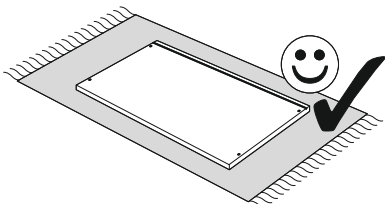
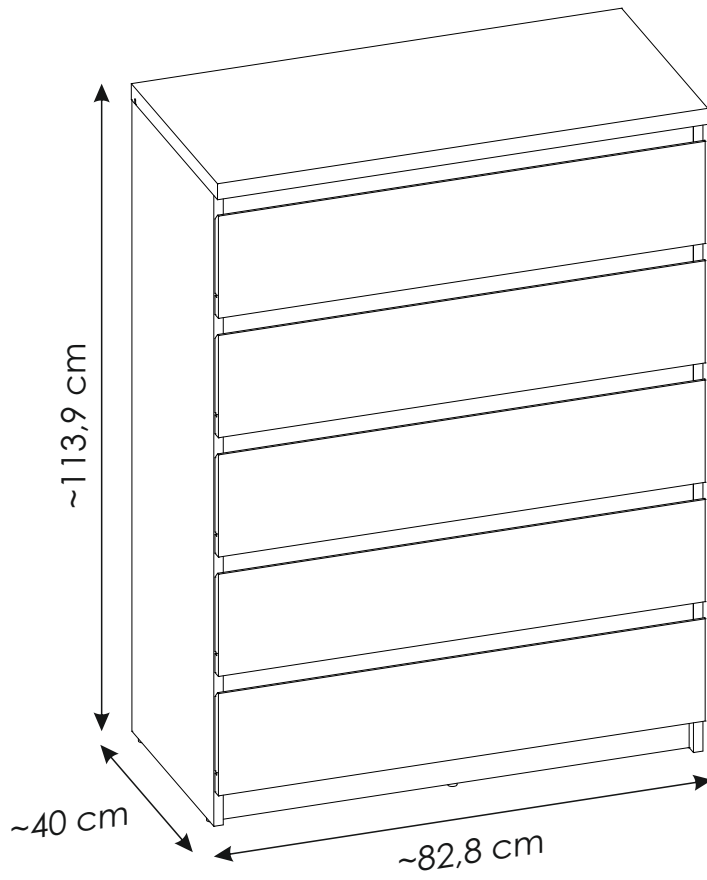


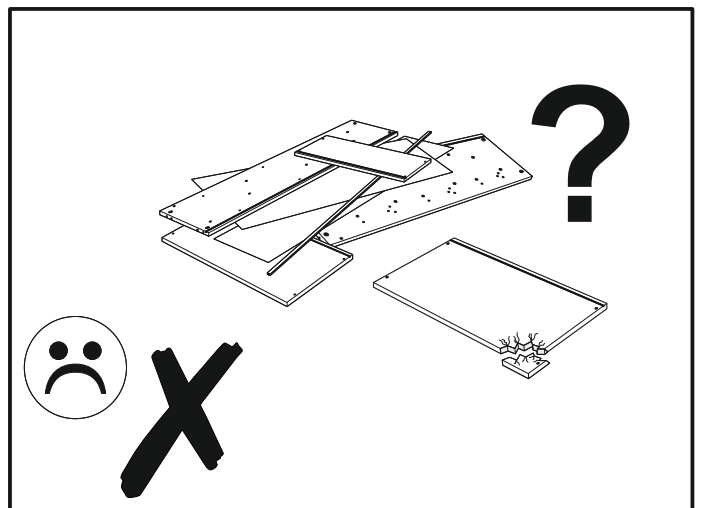
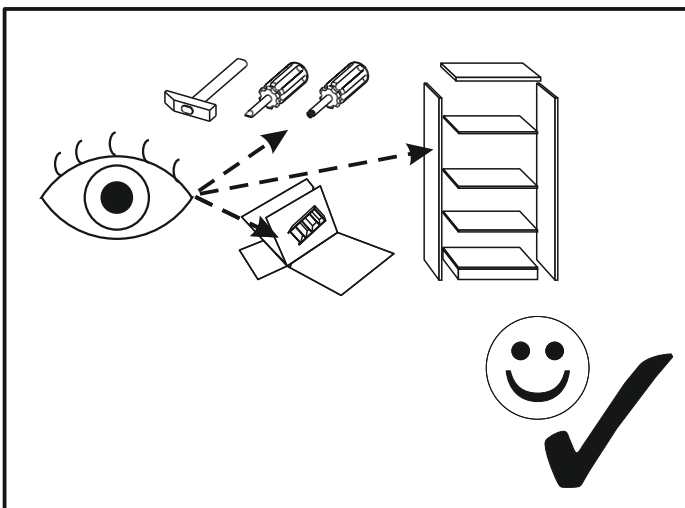
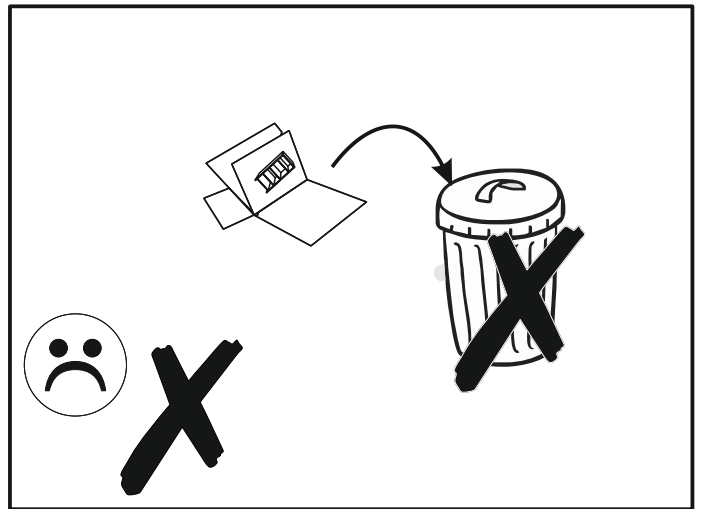
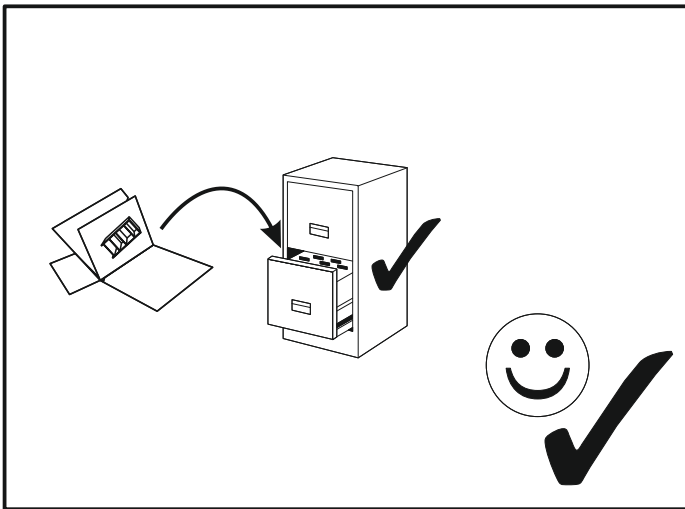
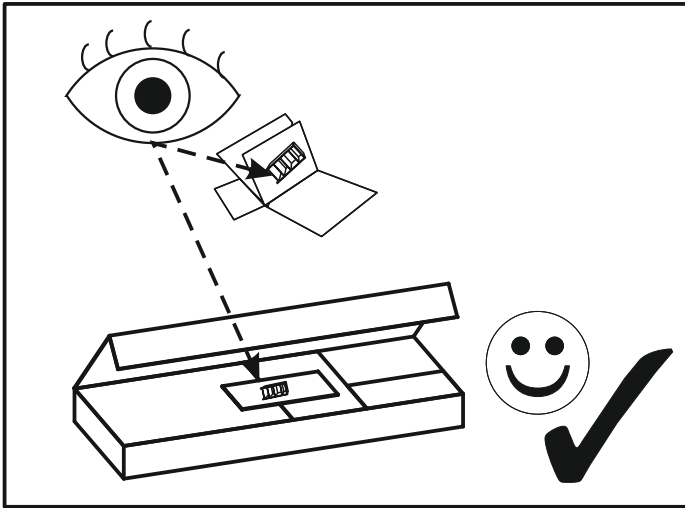


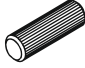



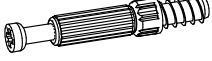


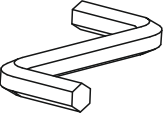
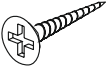
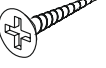
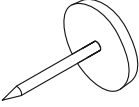
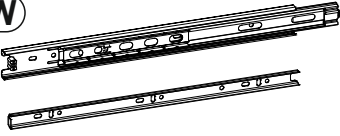
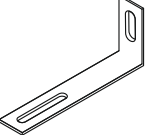
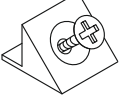
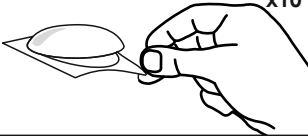
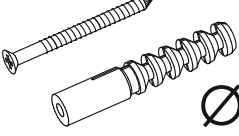
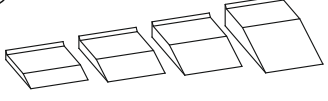
100 min

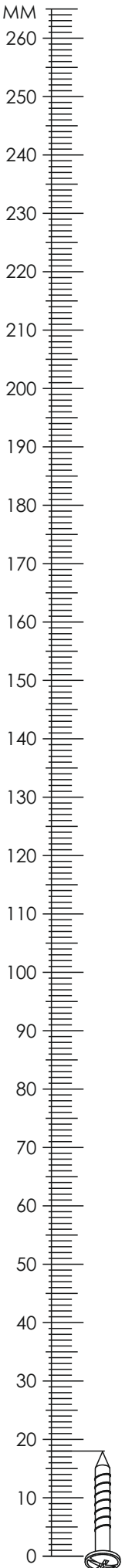


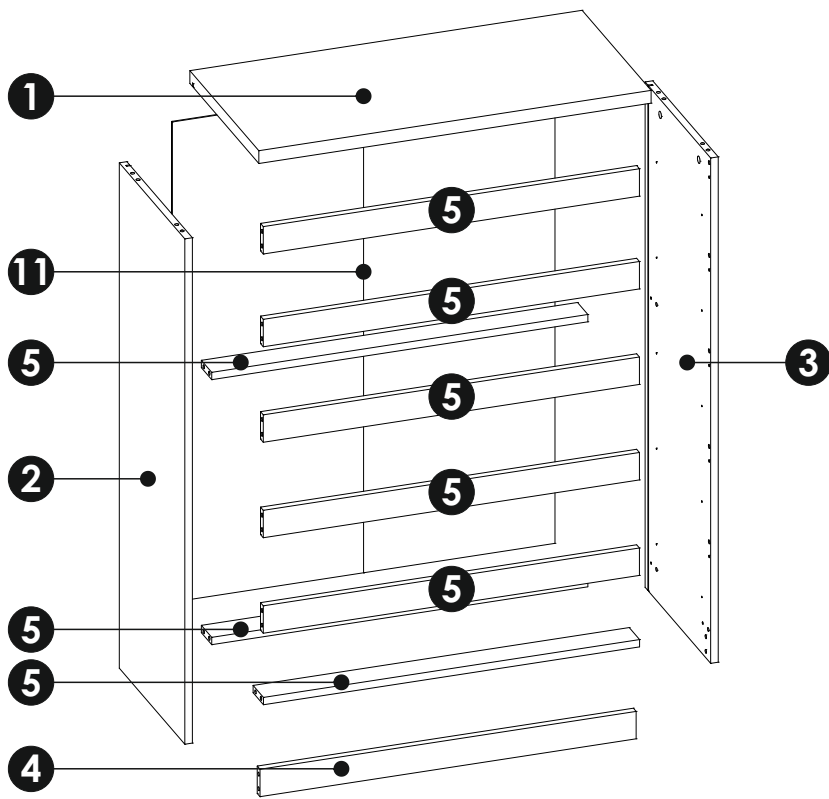
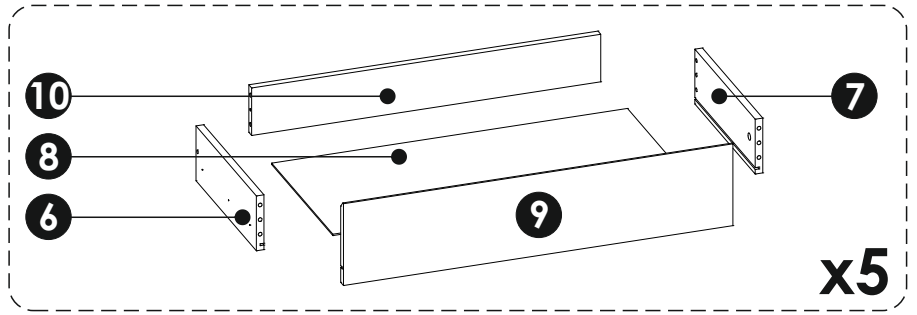
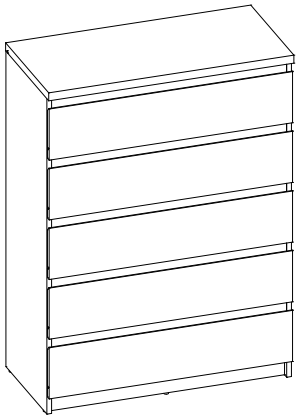
Ø8





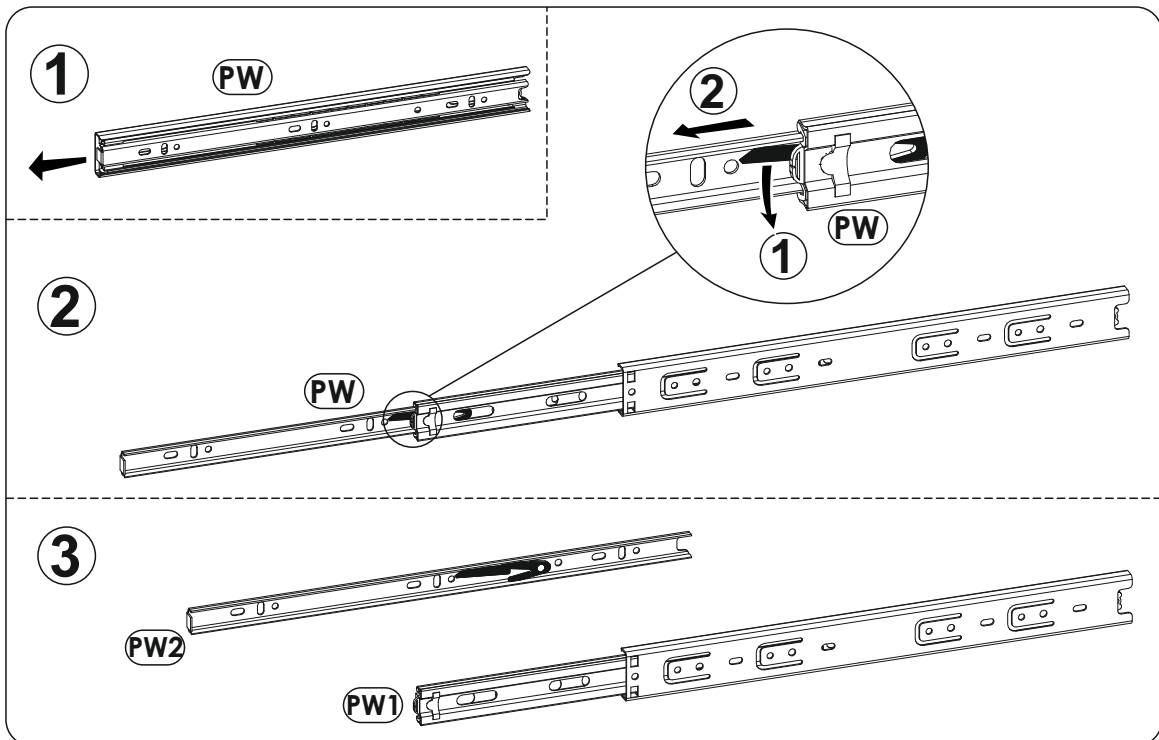
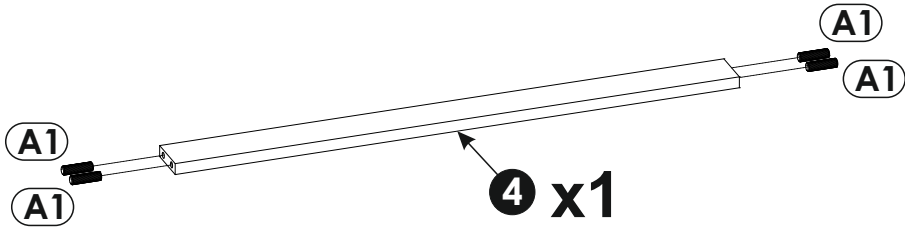
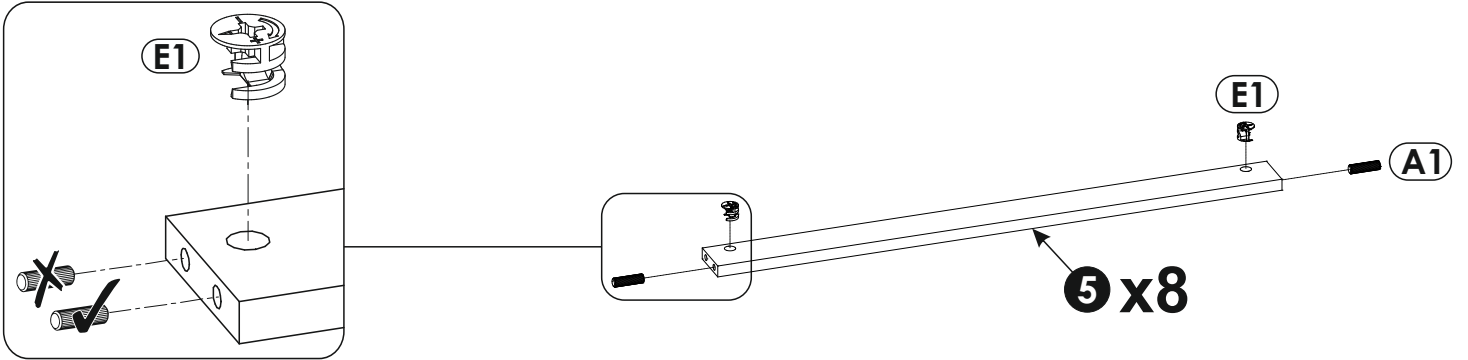
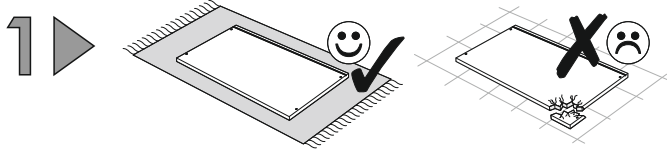
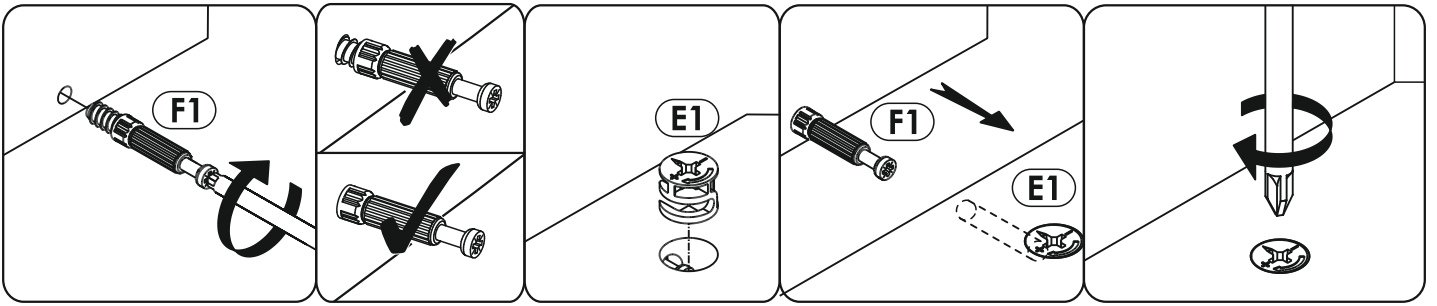
A1 8 x 35 mm x64 	C2 5 x 13 mm x20 	E0 Ø16 x10 
E1 15 x 12 mm x30 	F1 6 x 34 mm x30 	G1 7 x 50 mm x10 
I2 4 x 16 mm x2 	M x1 	N1 3 X 16 mm x45 
N2 3,5 X 16mm x30 	O2 x5 	PW x10 
Q9 x2 	R4 x18 	R8 x10 
S13 x2  Ø8	Z x1 	



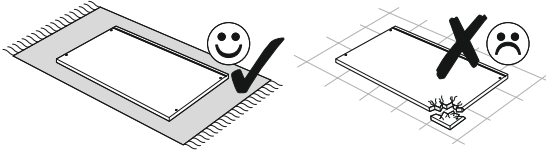


1	828	400	28	x1	2/2
2	1106	380	16	x1	1/2
3	1106	380	16	x1	1/2
4	794	60	16	x1	2/2
5	794	60	16	x8	2/2
6	350	120	16	x5	1/2

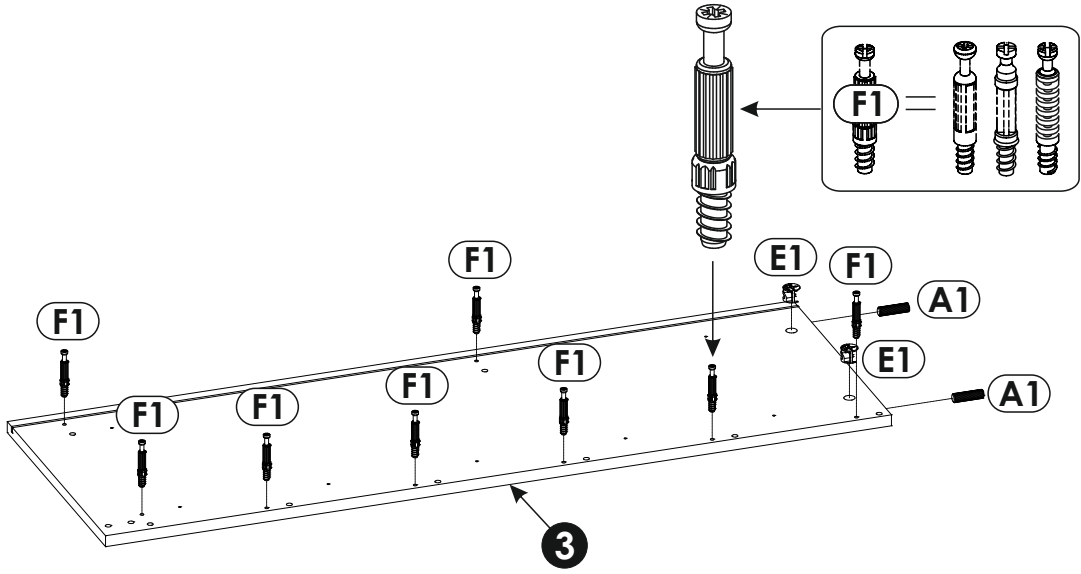
7	350	120	16	x5	1/2
8	751	355	16	x5	2/2
9	822	179	16	x5	1/2
10	737	104	16	x5	2/2
11	1051	808	3	x1	1/2



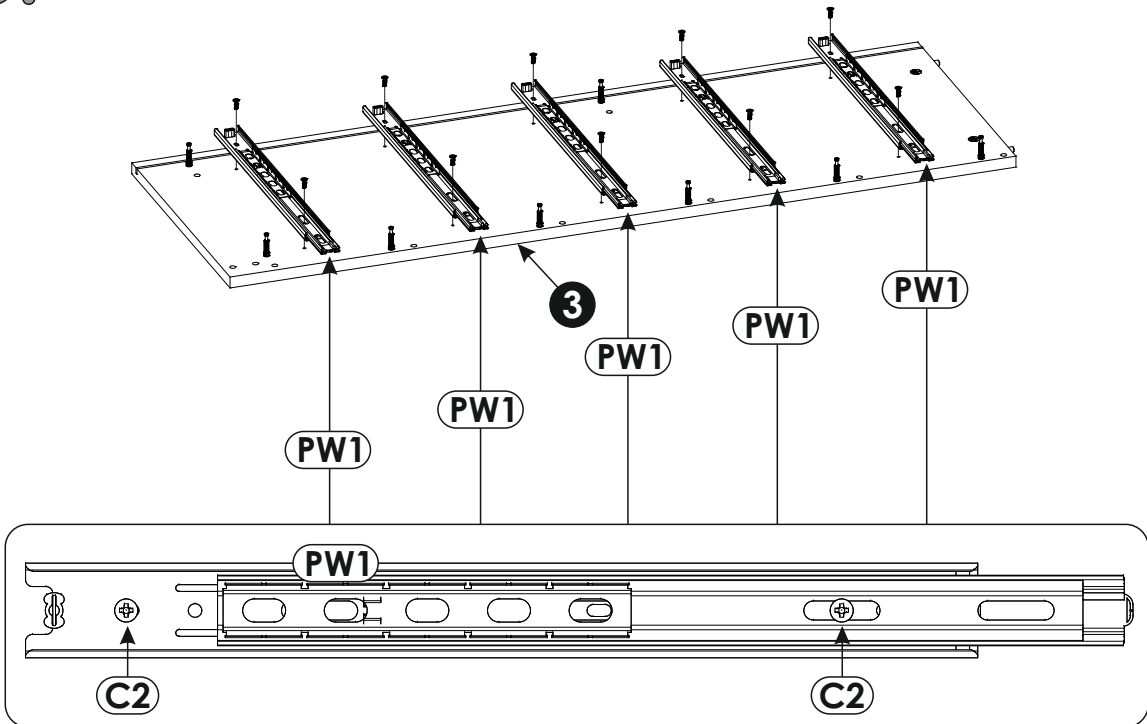
2 ▶

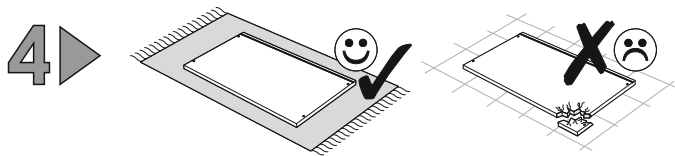
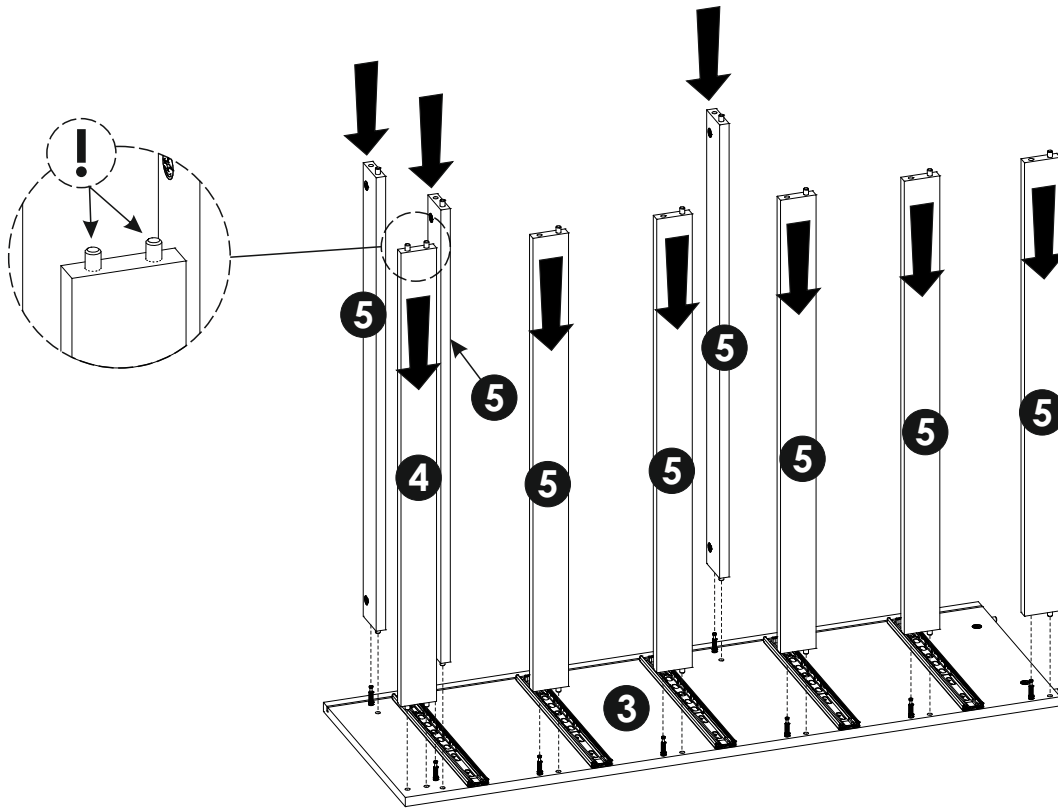
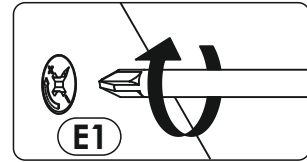
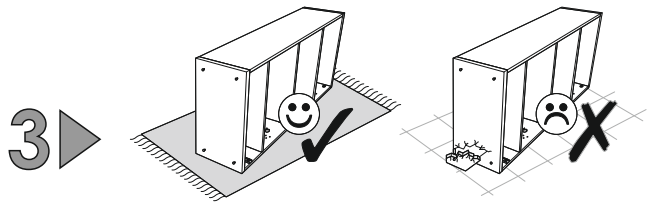


a.

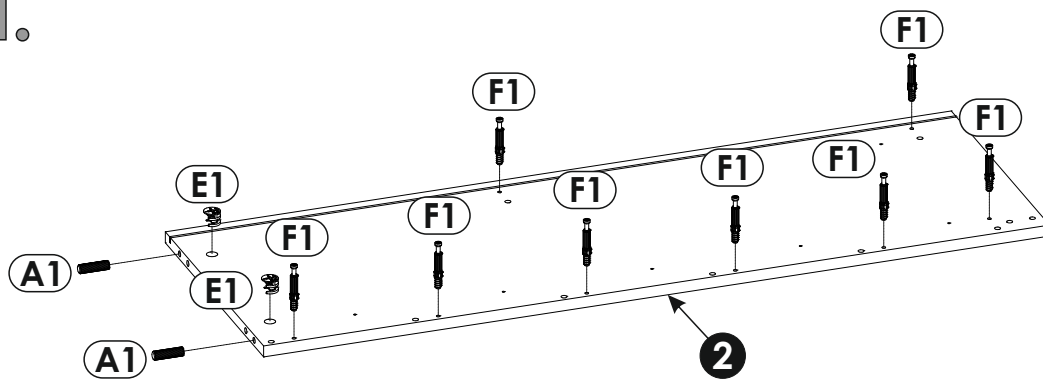


b.

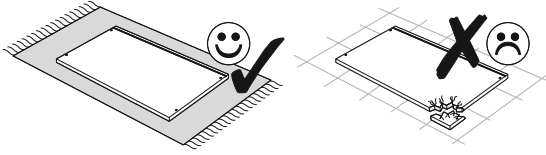




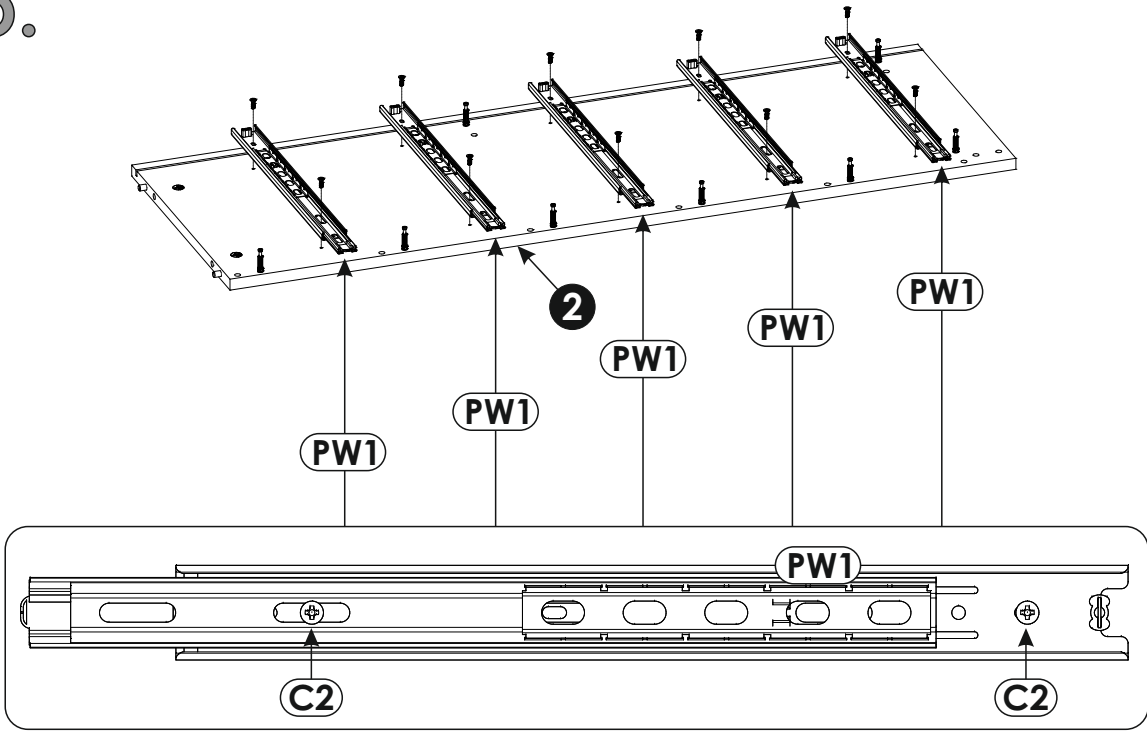
a.



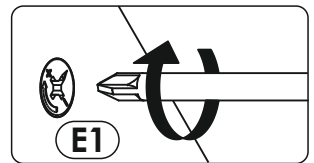
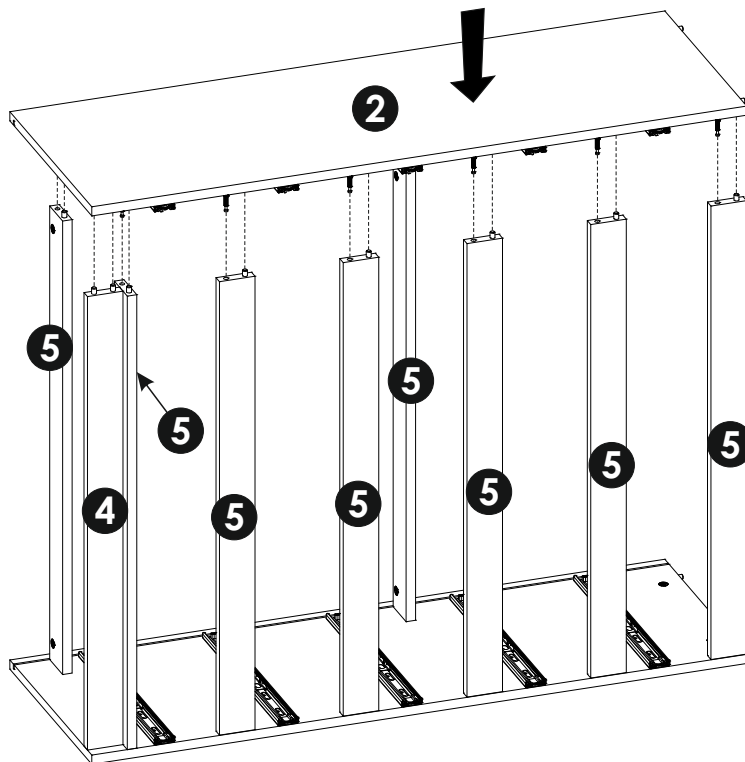
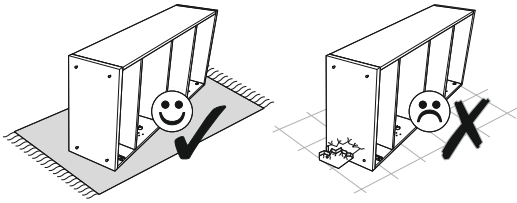
5 ▶

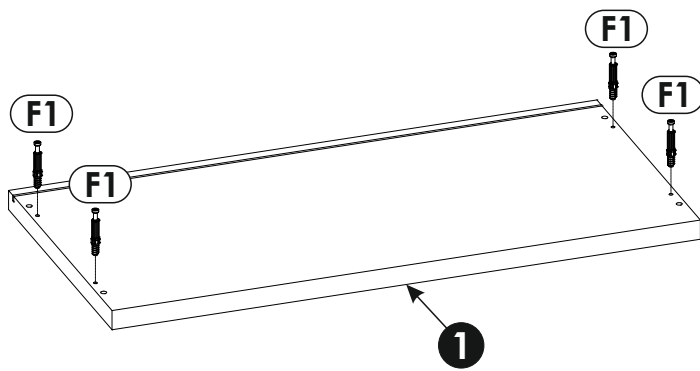
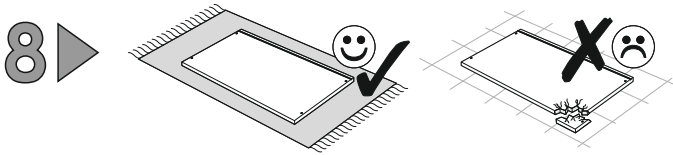
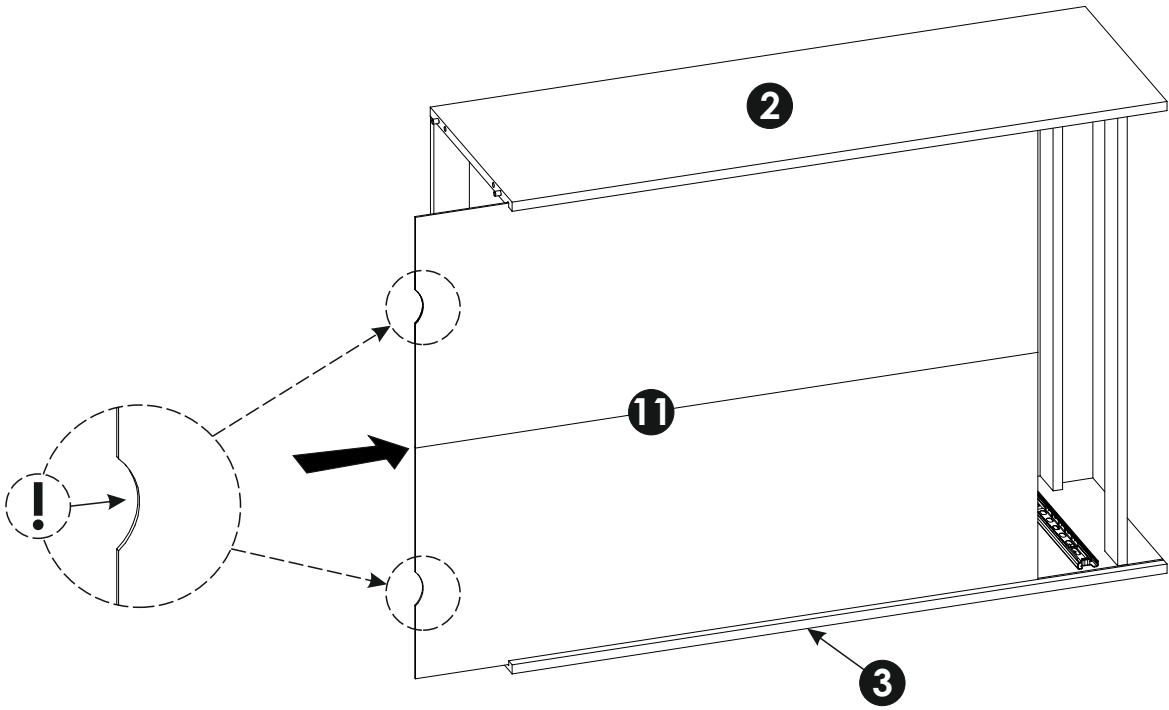
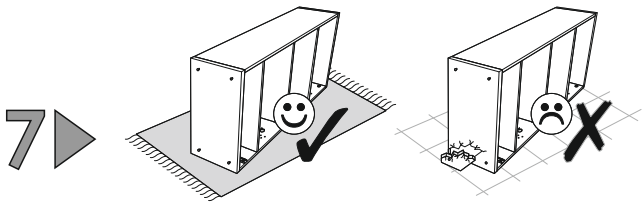


b.

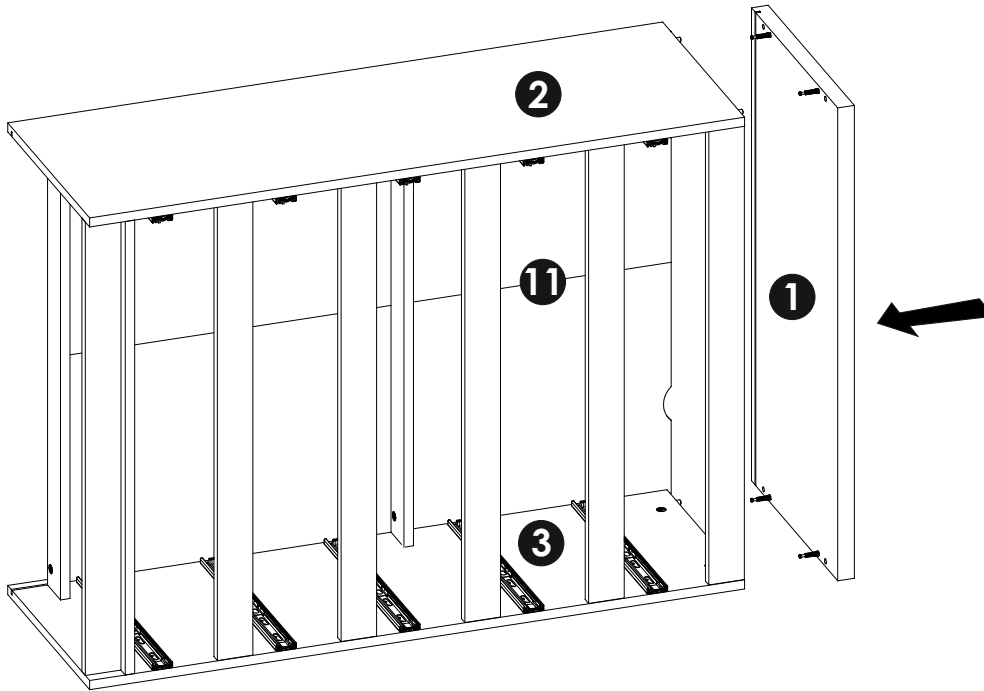
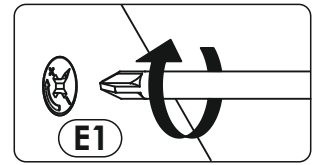
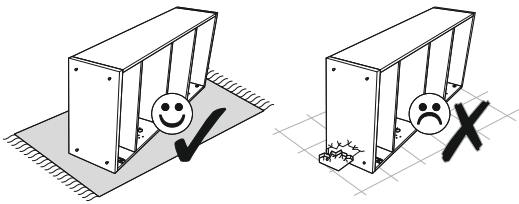


6 ▶

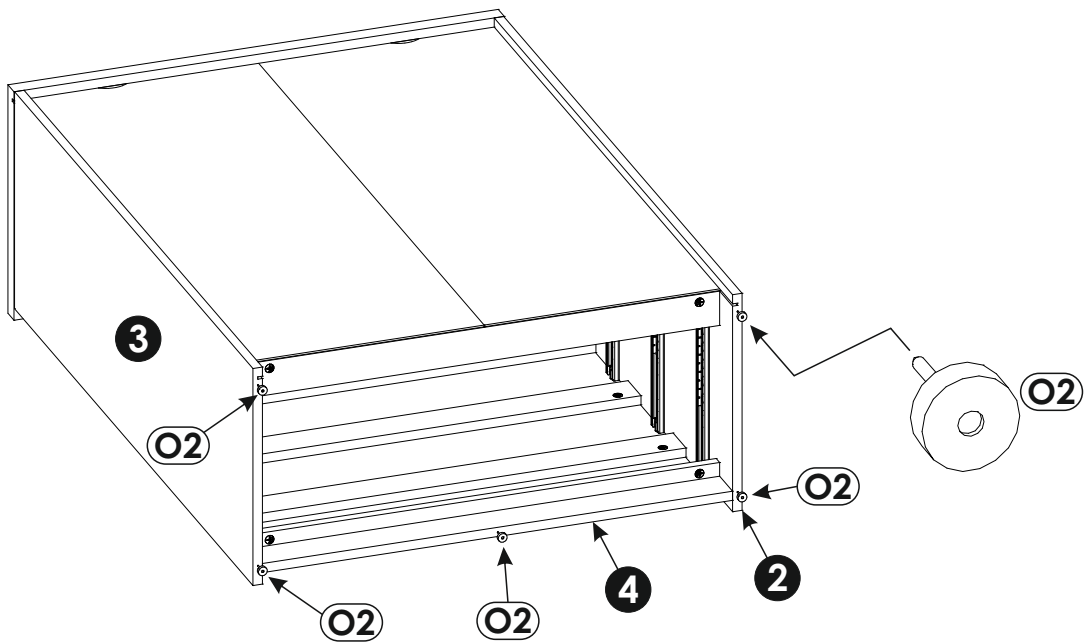
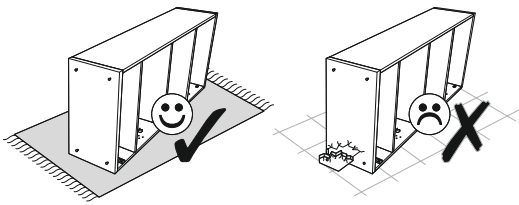




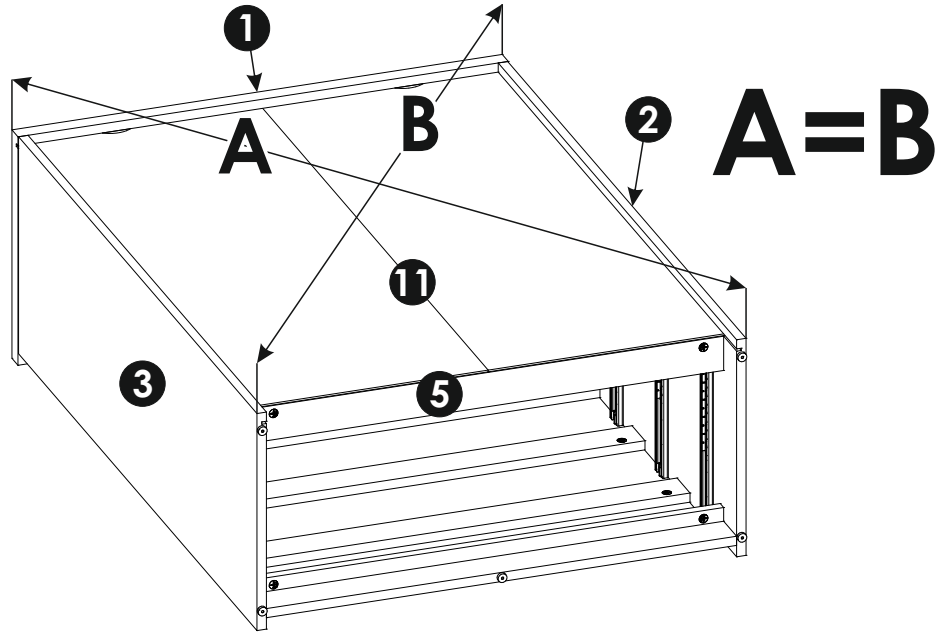
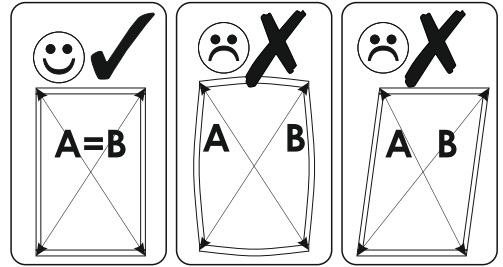
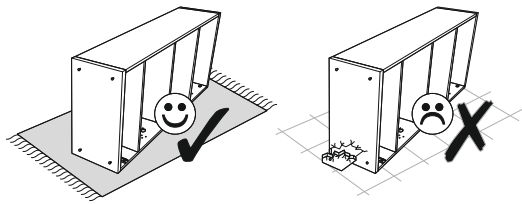
9 ▶



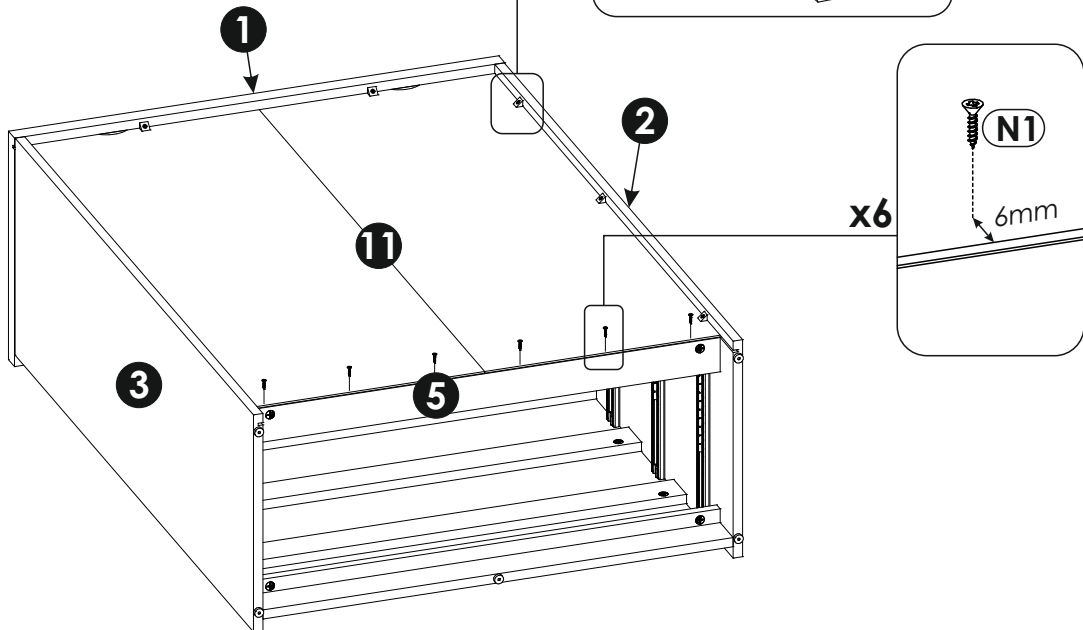
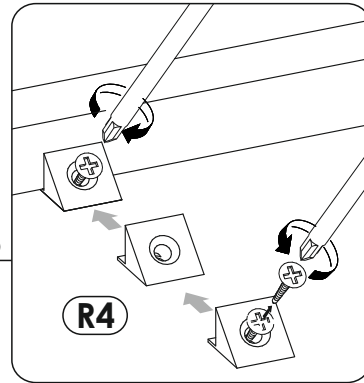
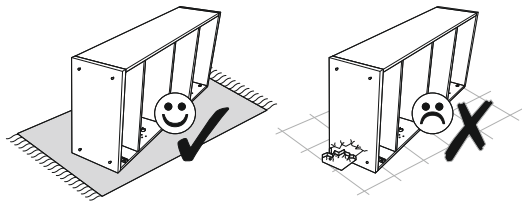
10 ▶

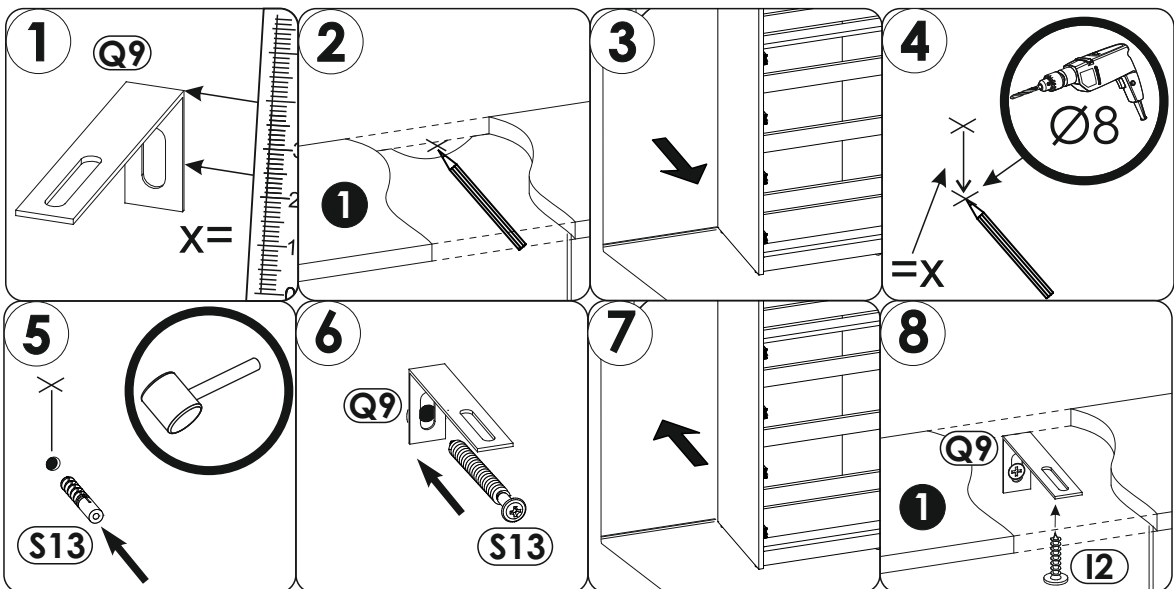
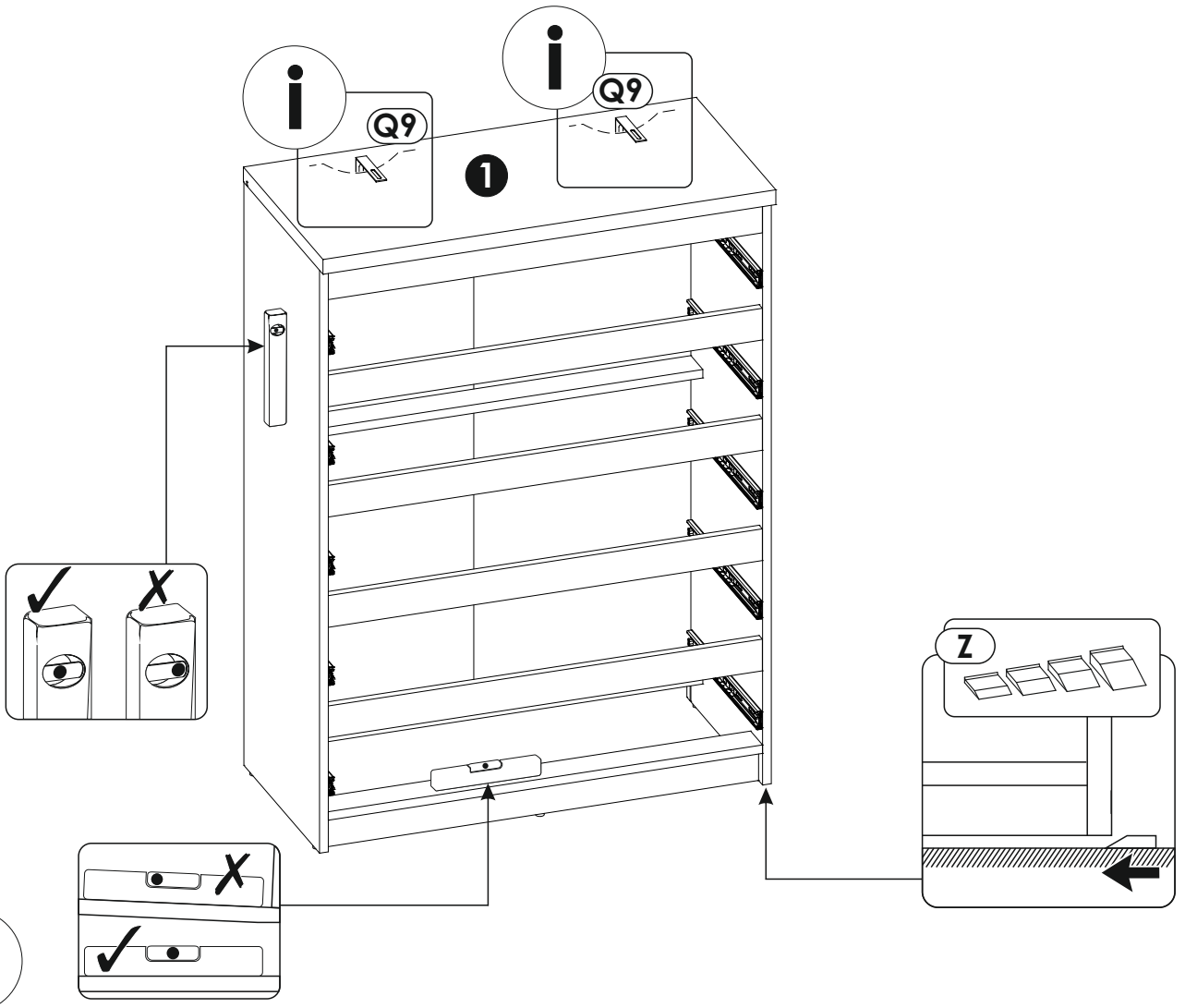
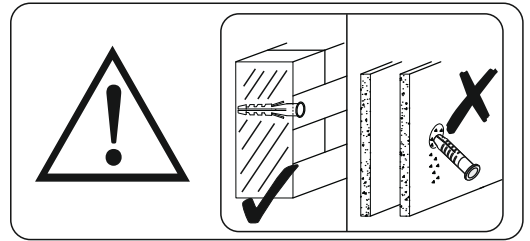


11 ▶

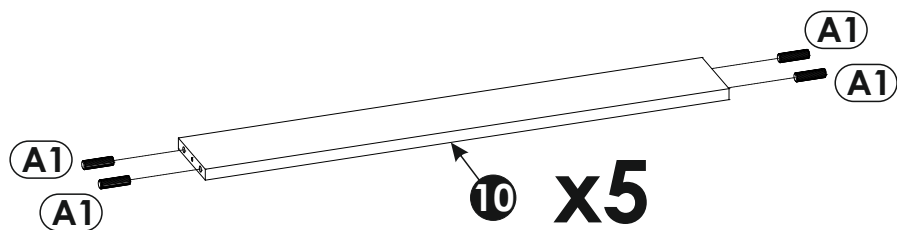
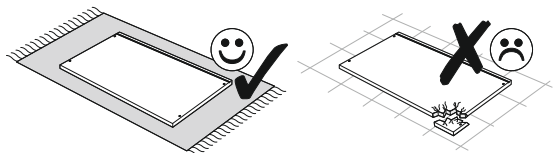


12 ▶

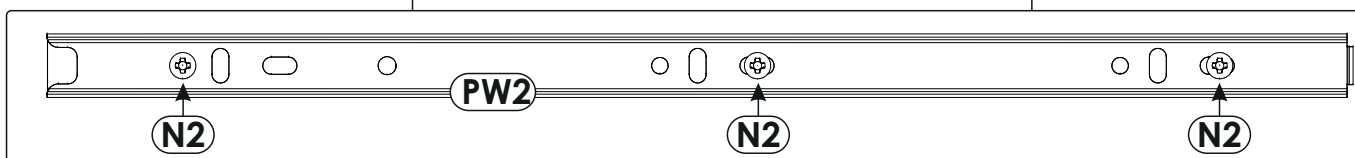
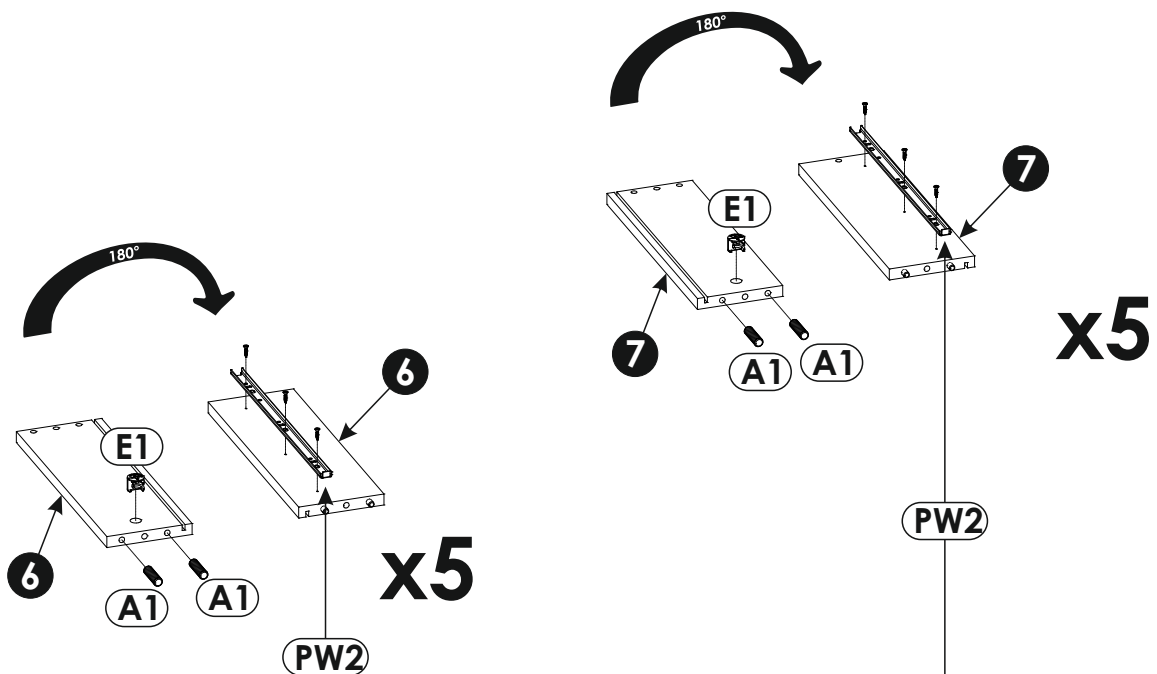
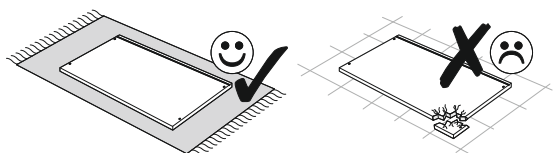




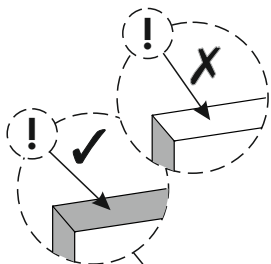
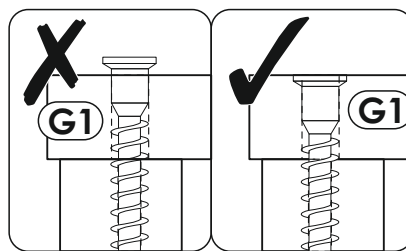
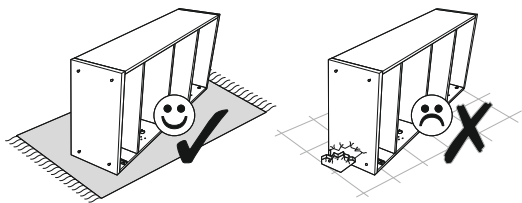
14▶



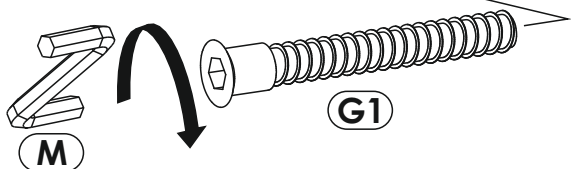
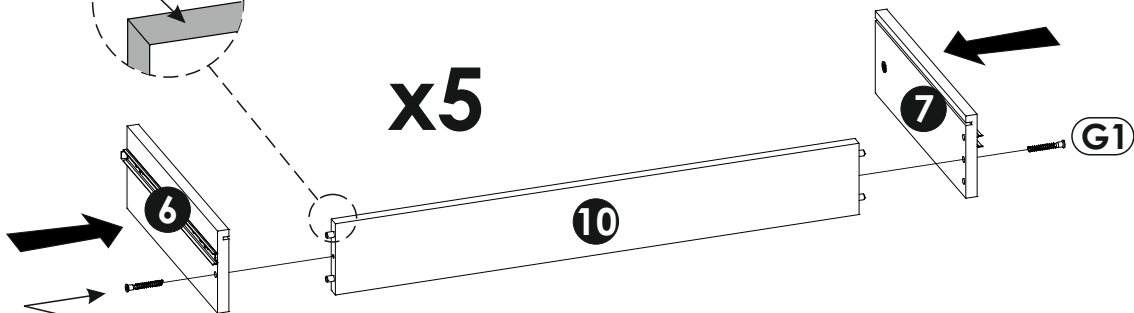
15▶



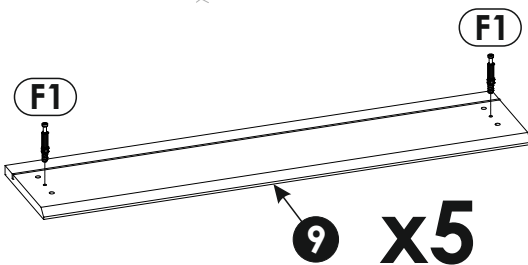
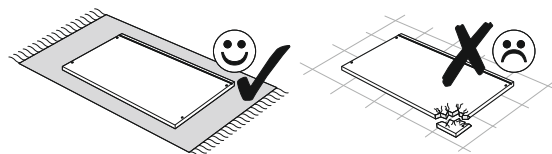
16 ▶



x5

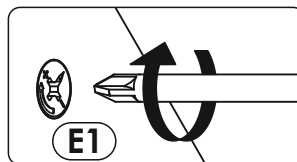
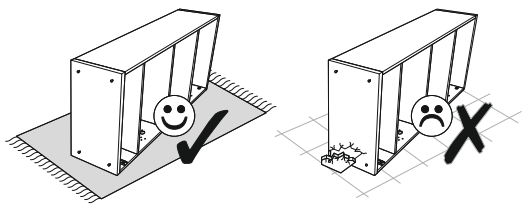


17 ▶

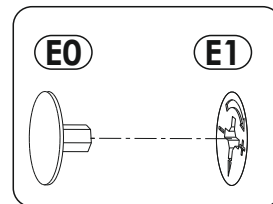
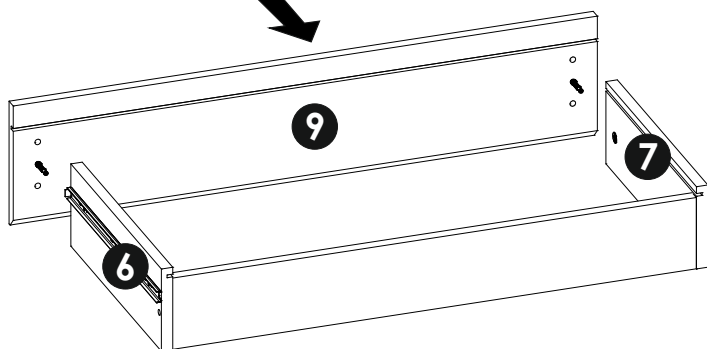


x5

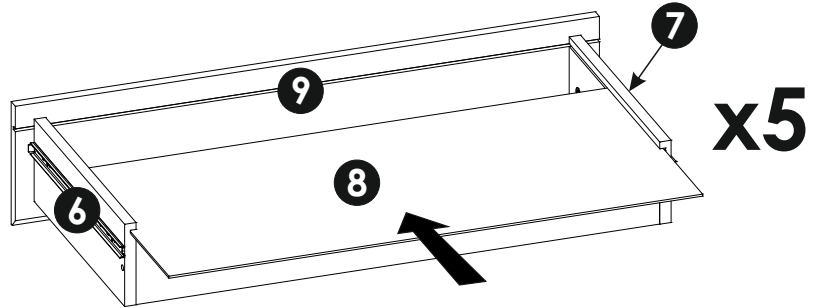
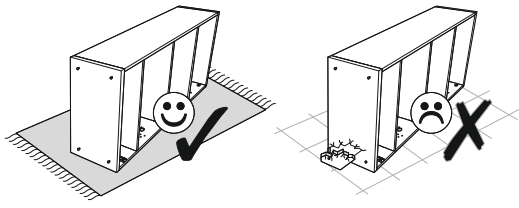
18 ▶



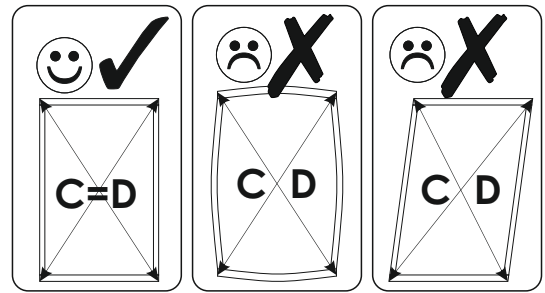
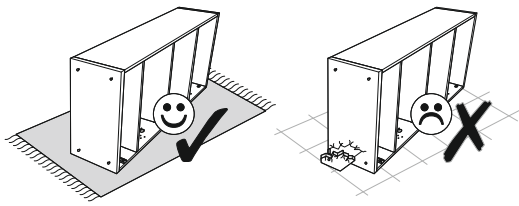
x5



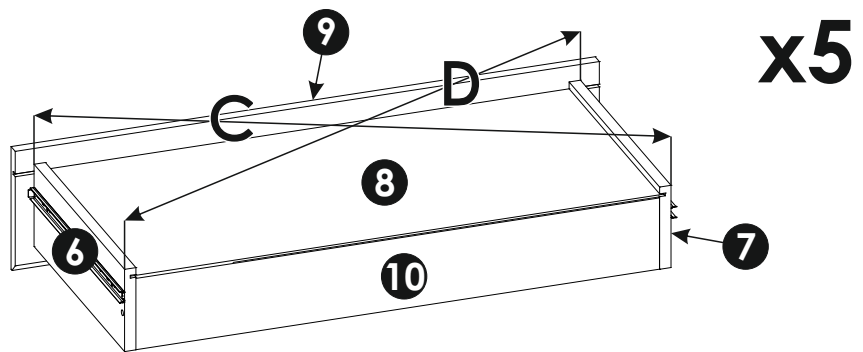
19 ▶



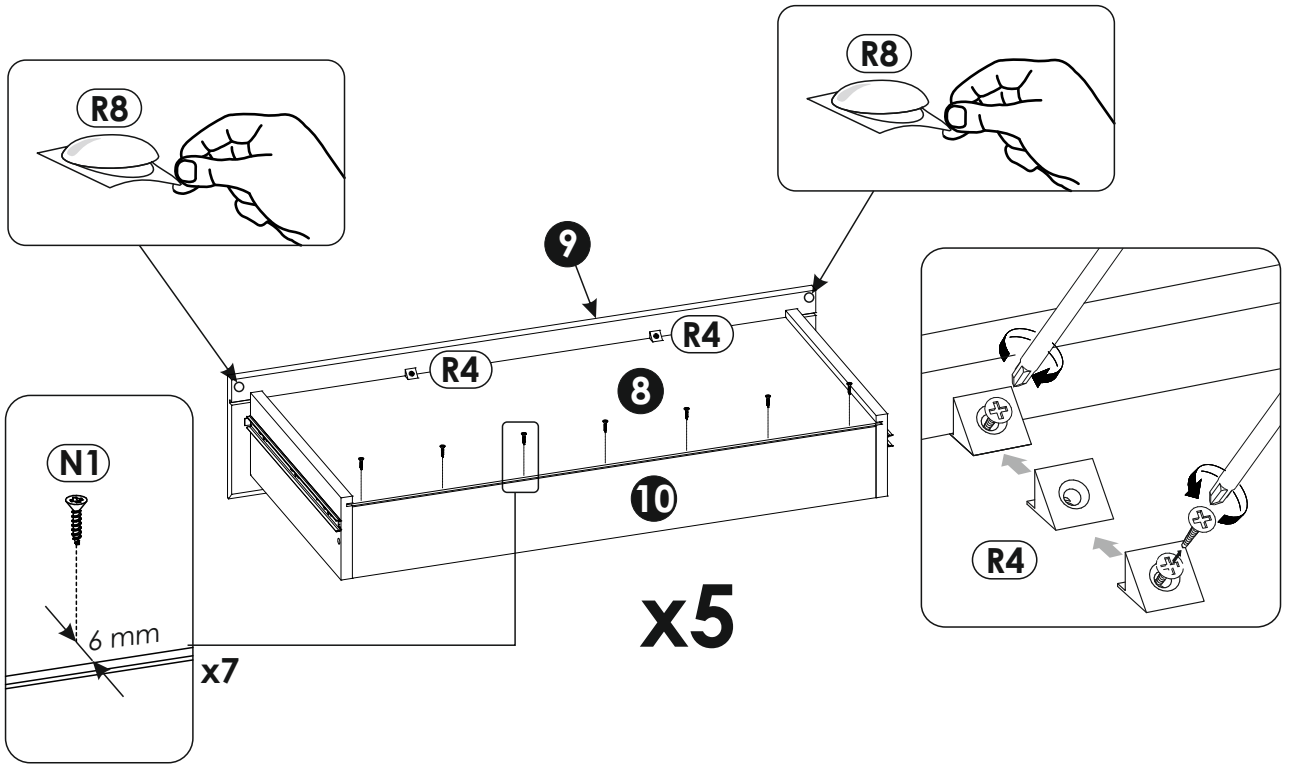
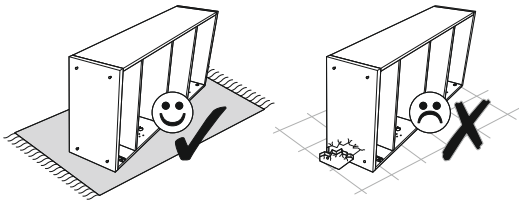
20 ▶



C=D



21▶



22▶

