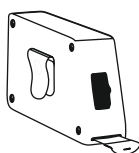
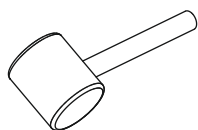
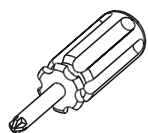
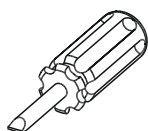
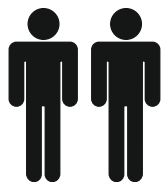


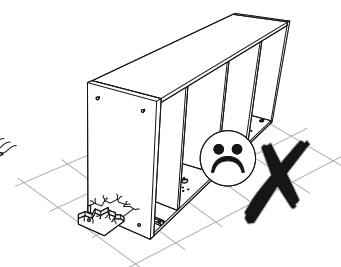
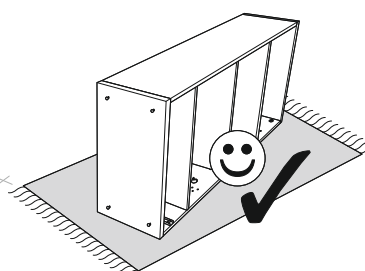
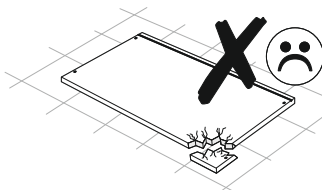
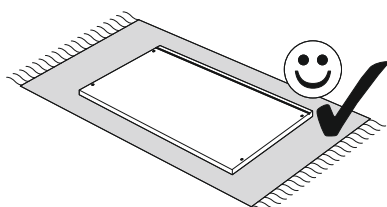
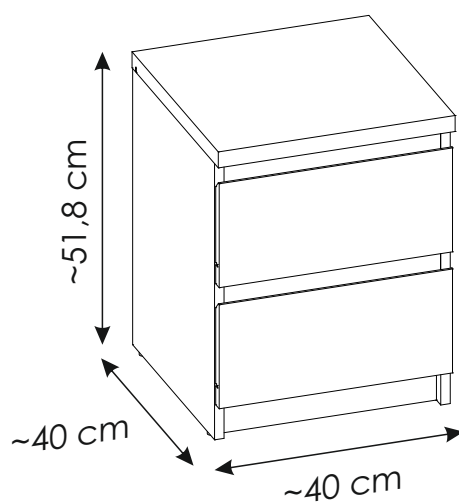
FRIK05

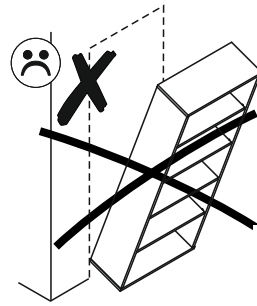
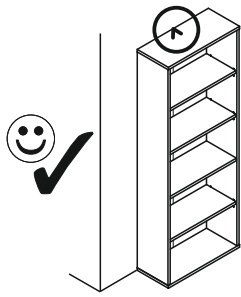


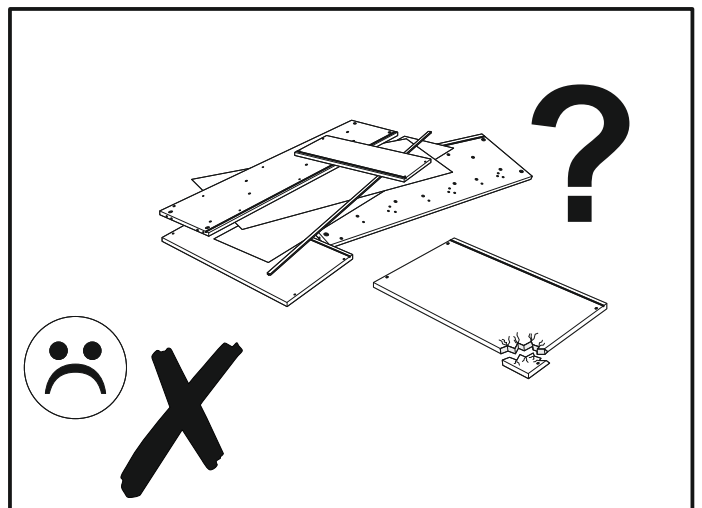
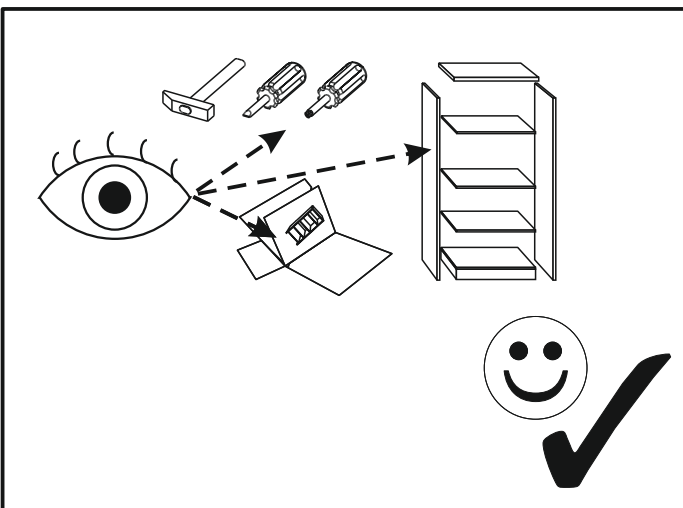
50 min



Ø8

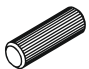



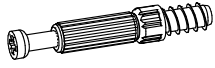
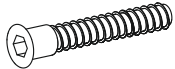
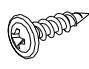
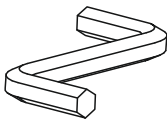
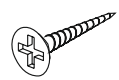
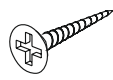
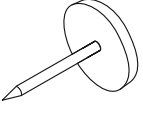
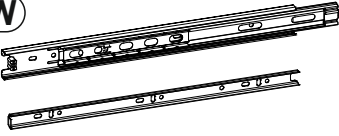
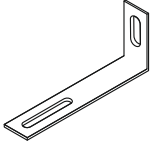
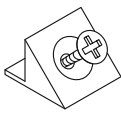
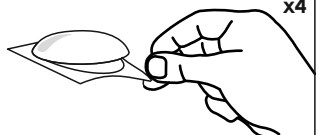
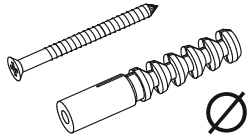
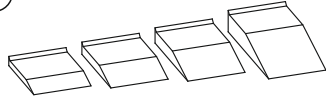


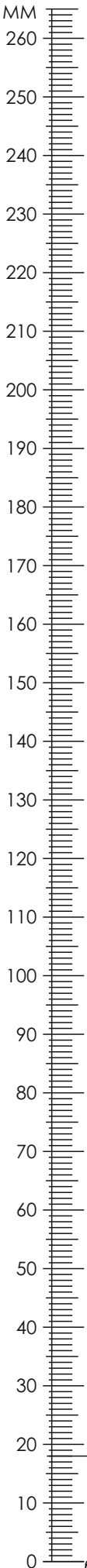




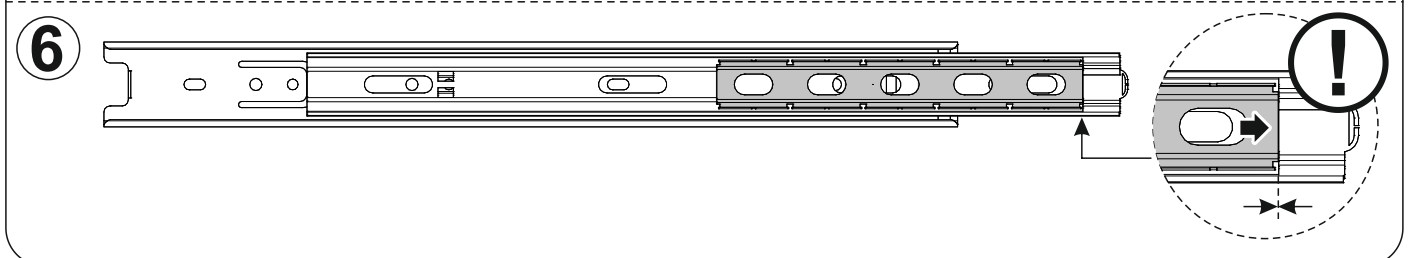
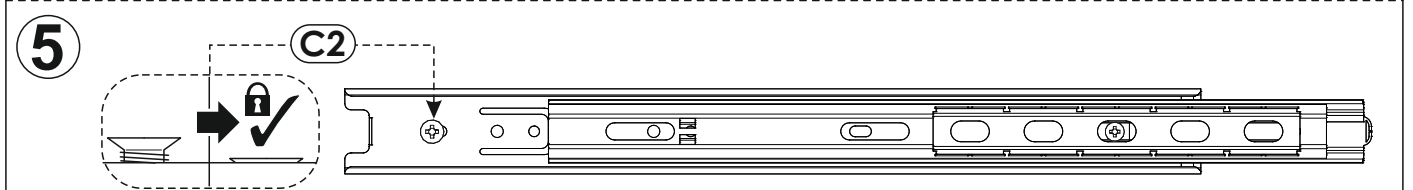
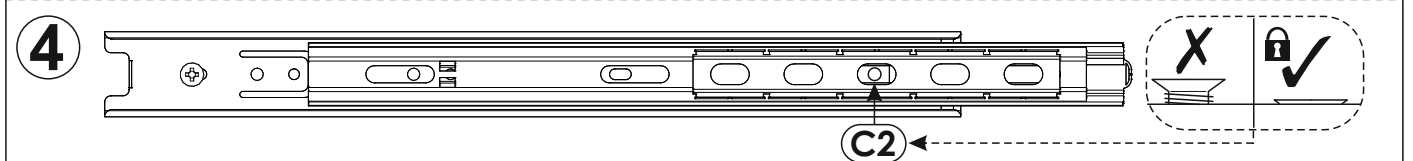
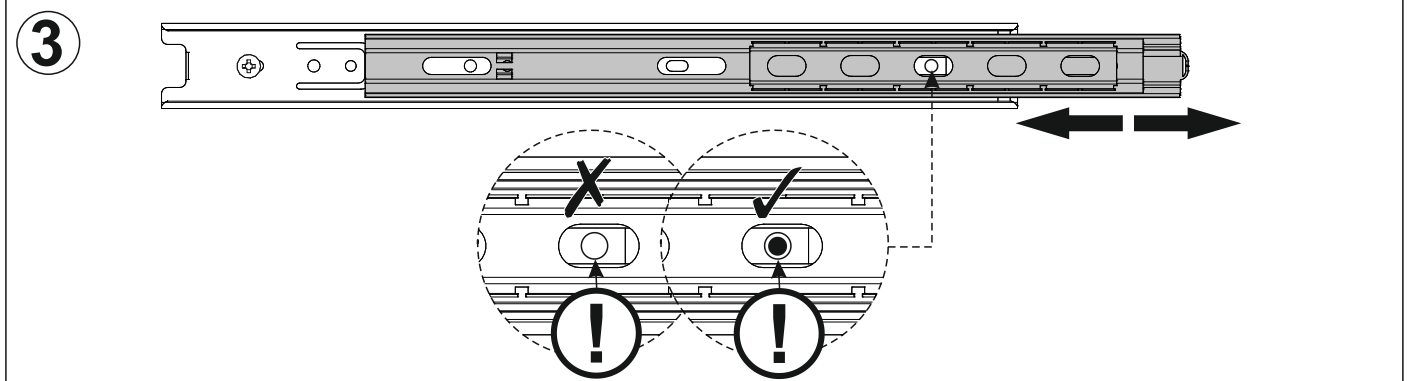
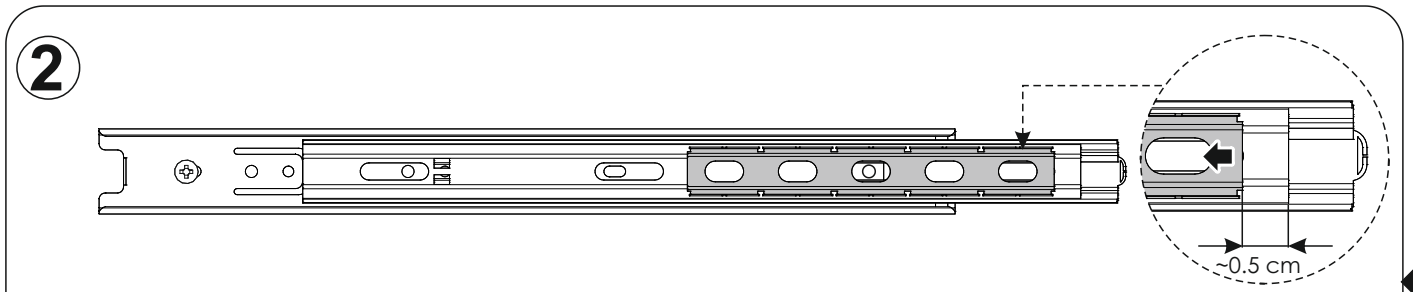
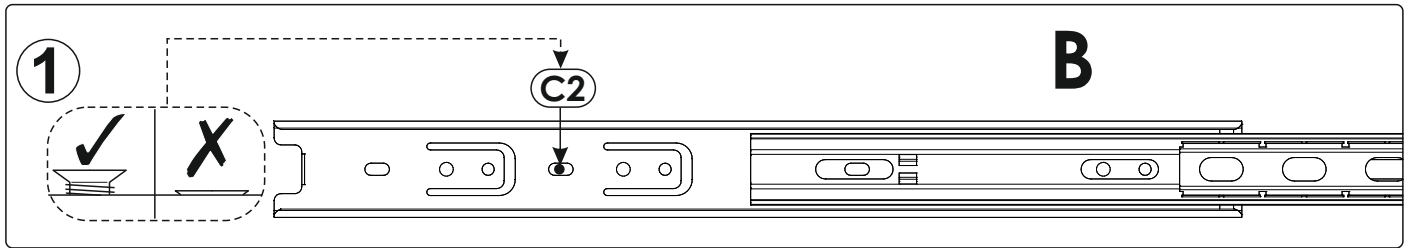
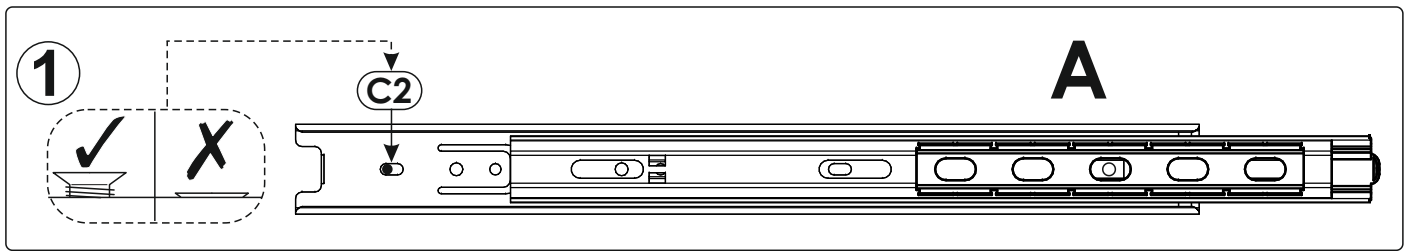
FRIK05

MM

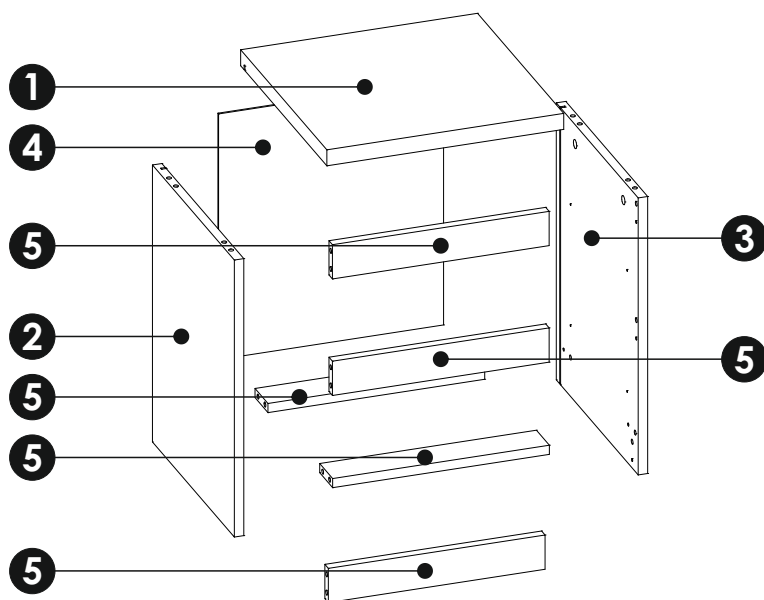
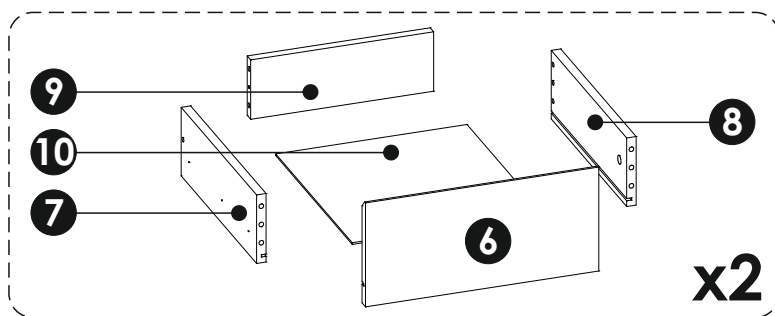
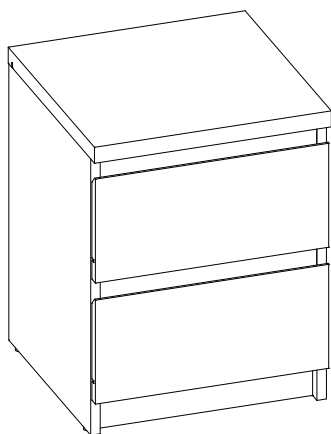
<p>A1 8 x 35 mm x30</p> 	<p>C2 5 x 13 mm x8</p> 	<p>E0 Ø16 x4</p> 
<p>E1 15 x 12 mm x18</p> 	<p>F1 6 x 34 mm x18</p> 	<p>G1 7 x 50 mm x4</p> 
<p>I2 4 x 16 mm x1</p> 	<p>M x1</p> 	<p>N1 3 X 16 mm x10</p> 
<p>N2 3,5 X 16 mm x12</p> 	<p>O2 x4</p> 	<p>PW x4</p> 
<p>Q9 x1</p> 	<p>R4 x5</p> 	<p>R8 x4</p> 
<p>S13 x1</p>  <p>Ø8</p>	<p>Z x1</p> 	



FRIK05

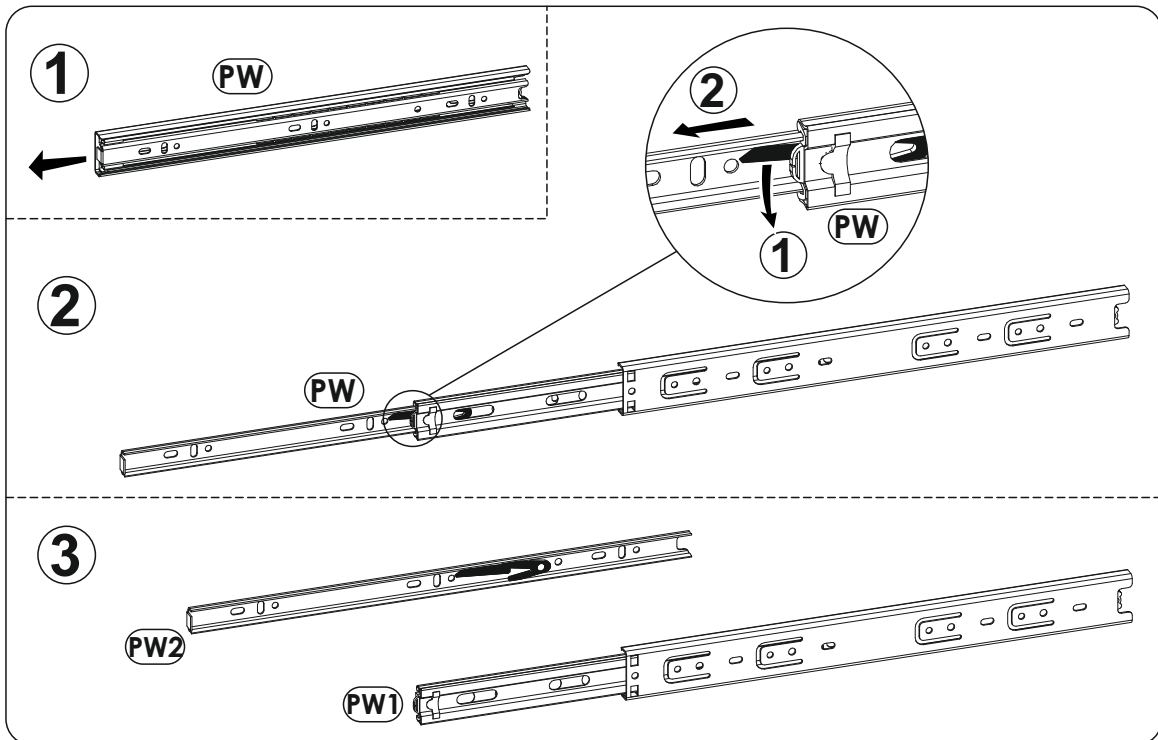
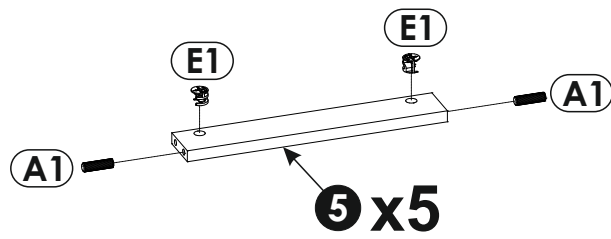
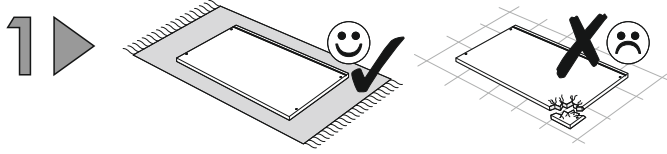
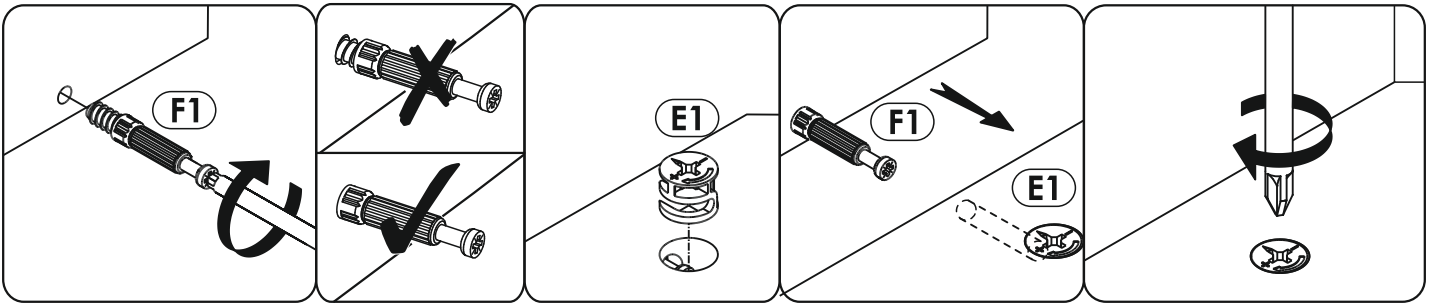


FRIK05

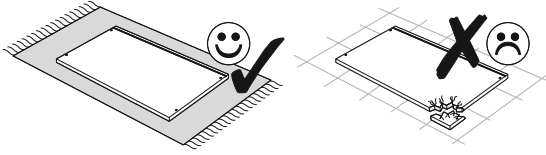


1	400	400	28	x1	1/1
2	485	380	16	x1	1/1
3	485	380	16	x1	1/1
4	430	380	3	x1	1/1
5	366	60	16	x5	1/1
6	394	182	16	x2	1/1

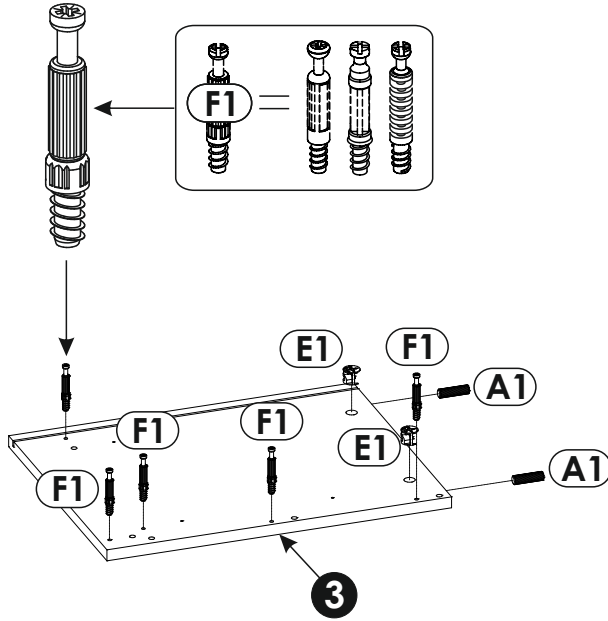
7	350	120	16	x2	1/1
8	350	120	16	x2	1/1
9	309	104	16	x2	1/1
10	323	355	3	x2	1/1



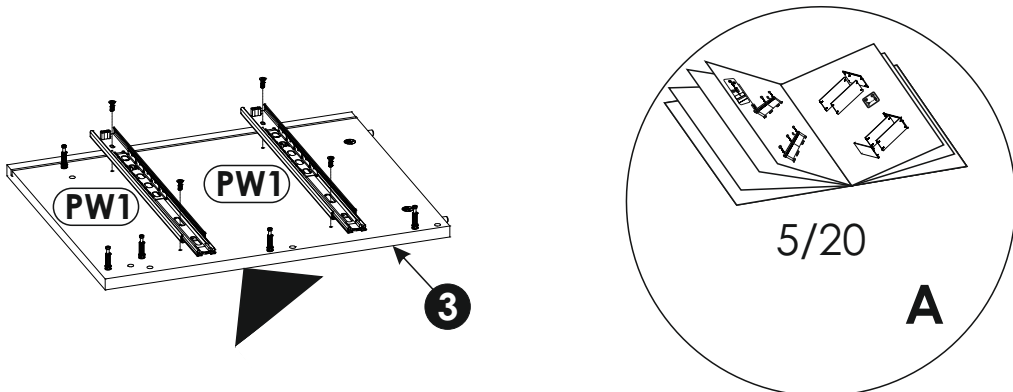
3 ▶

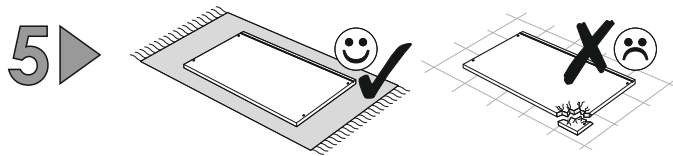
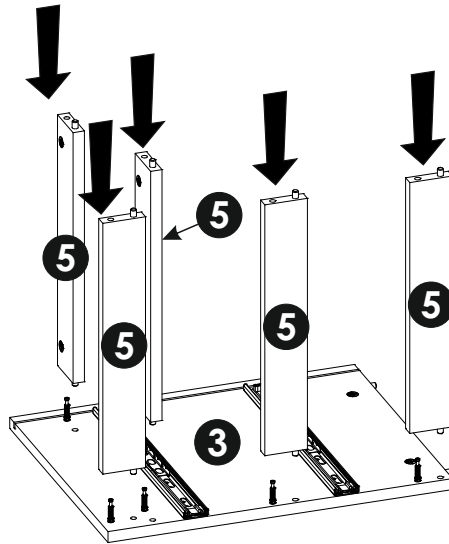
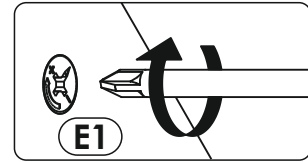
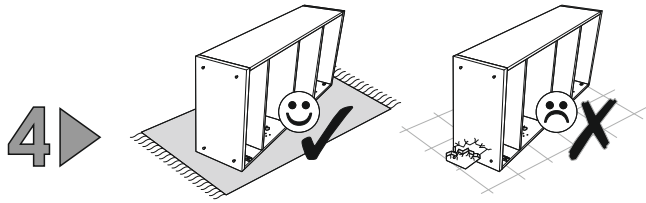


a.

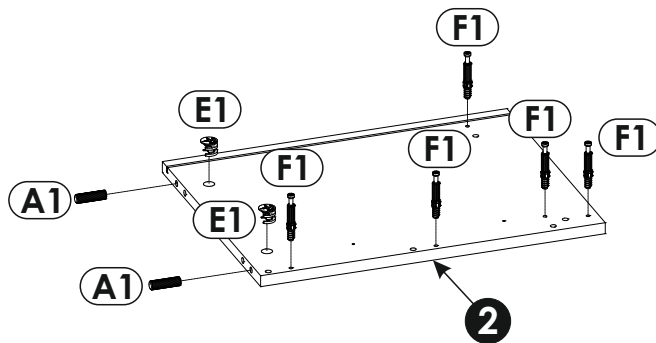


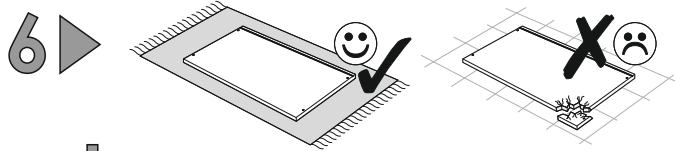
b.



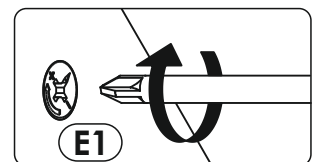
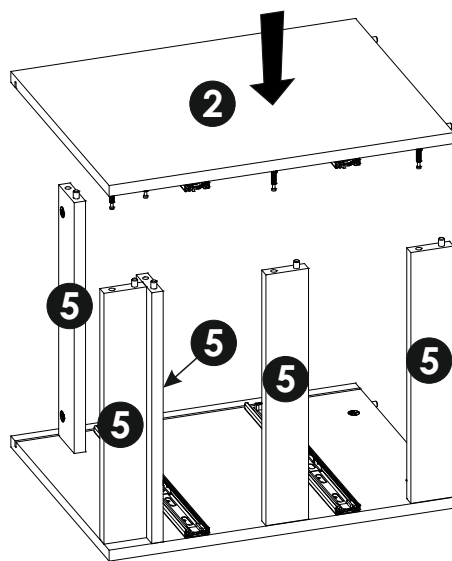
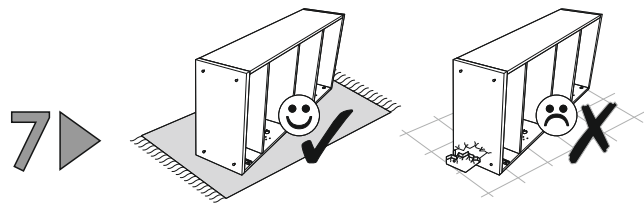
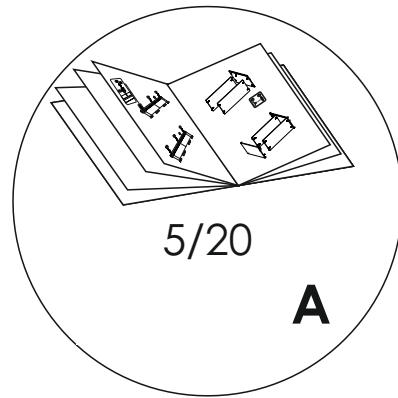
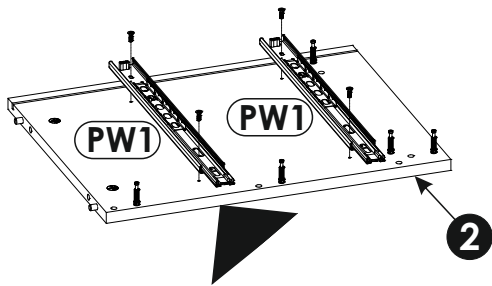


a.

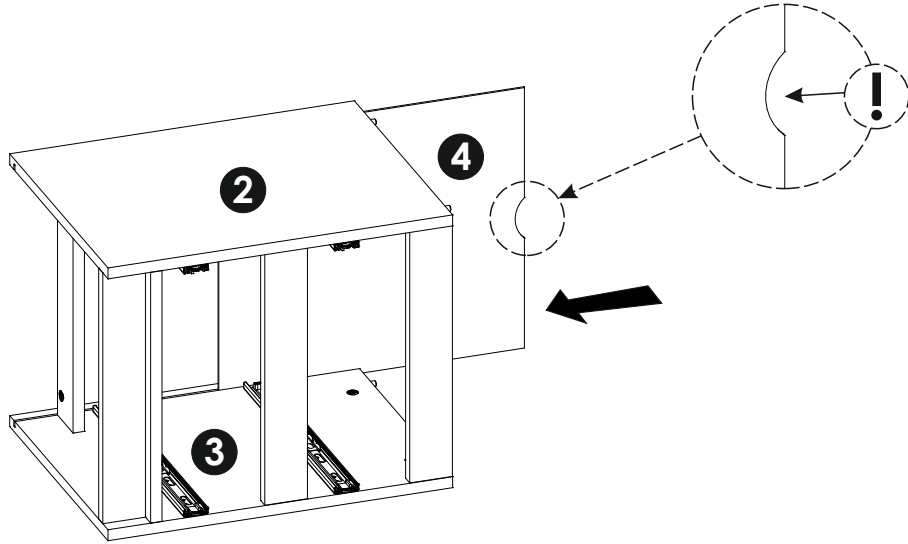
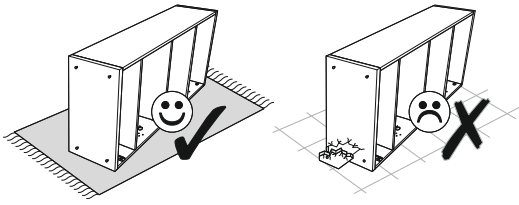




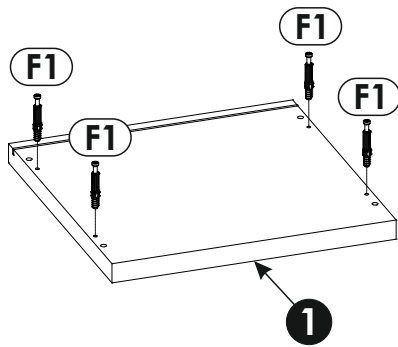
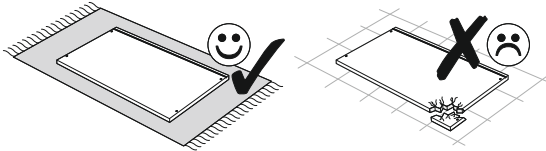
b.



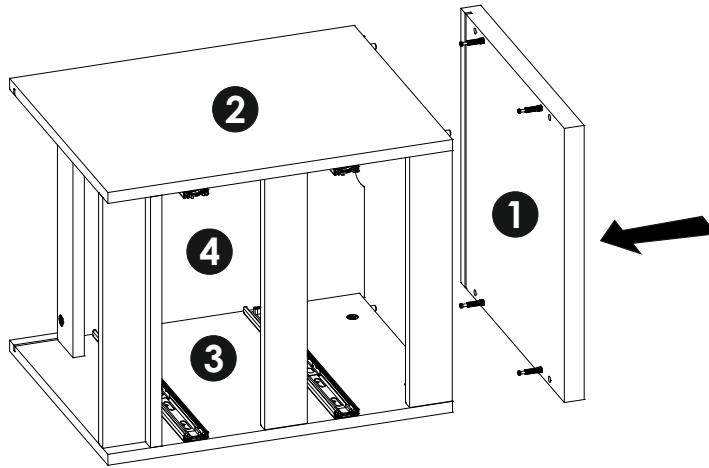
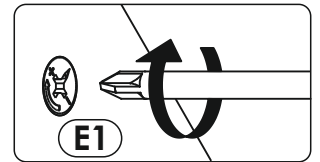
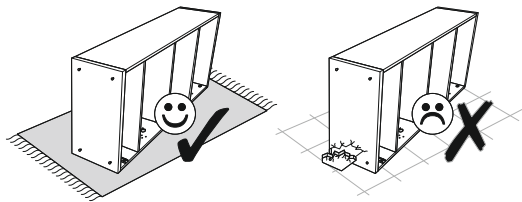
8 ▶



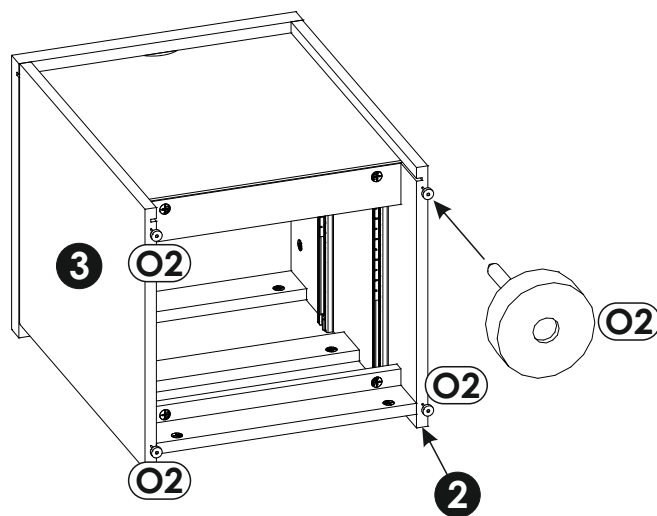
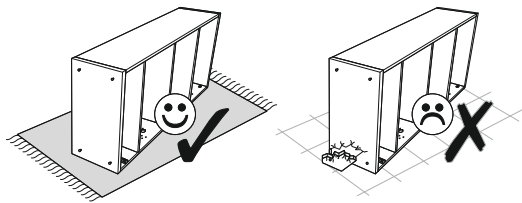
9 ▶



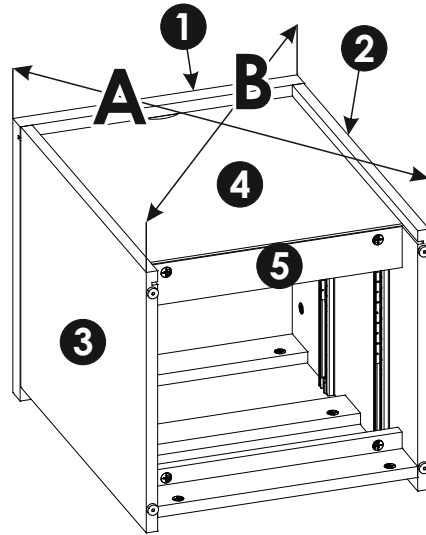
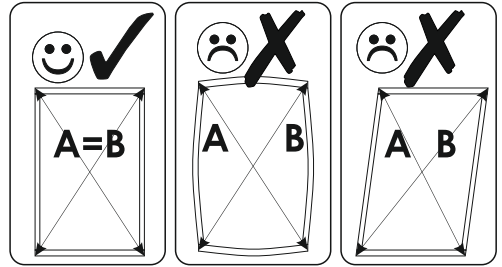
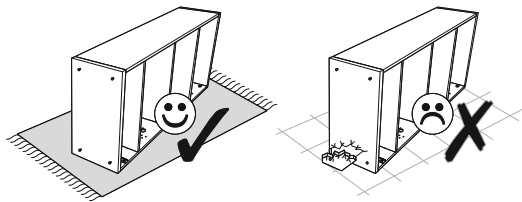
10 ▶



11 ▶

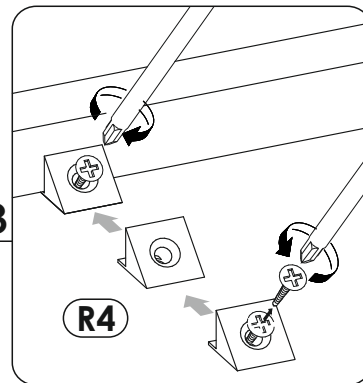
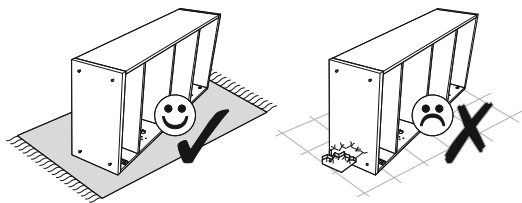


12 ▶

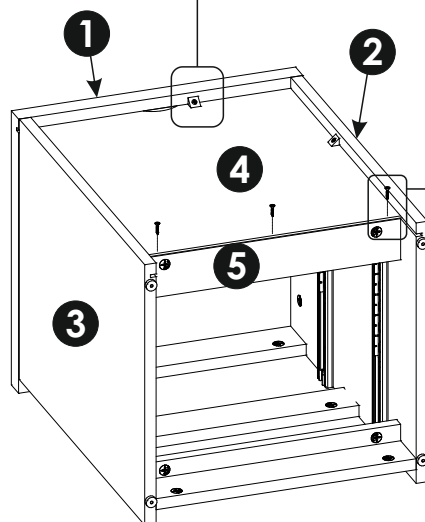


A=B

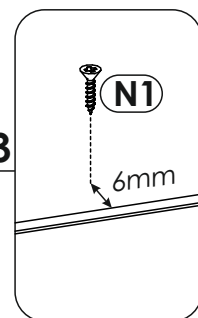
13 ▶

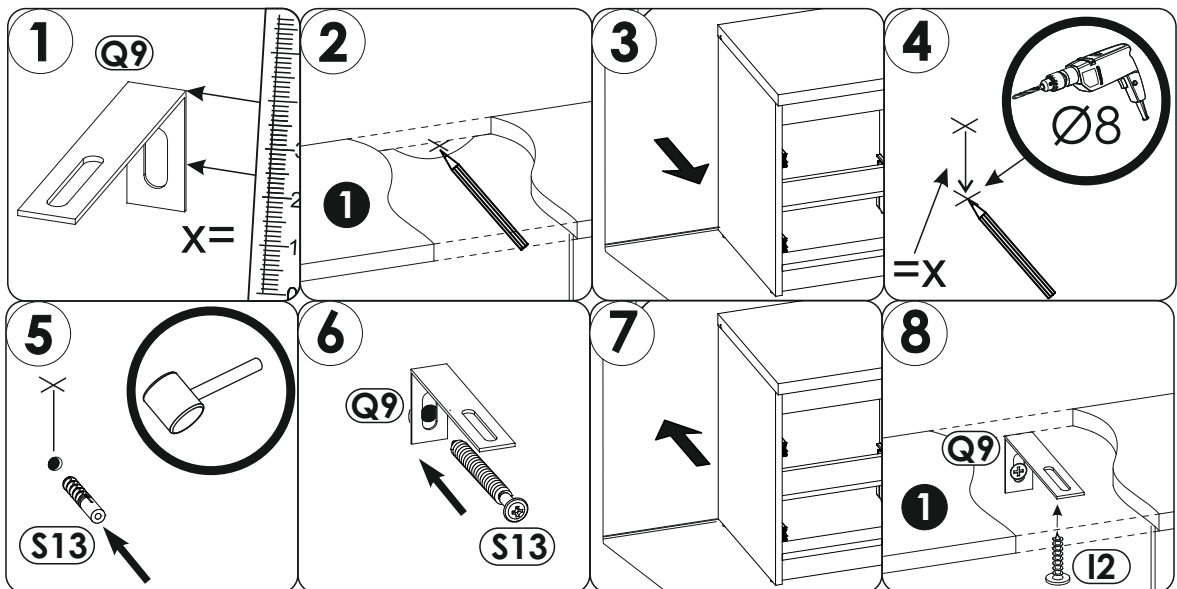
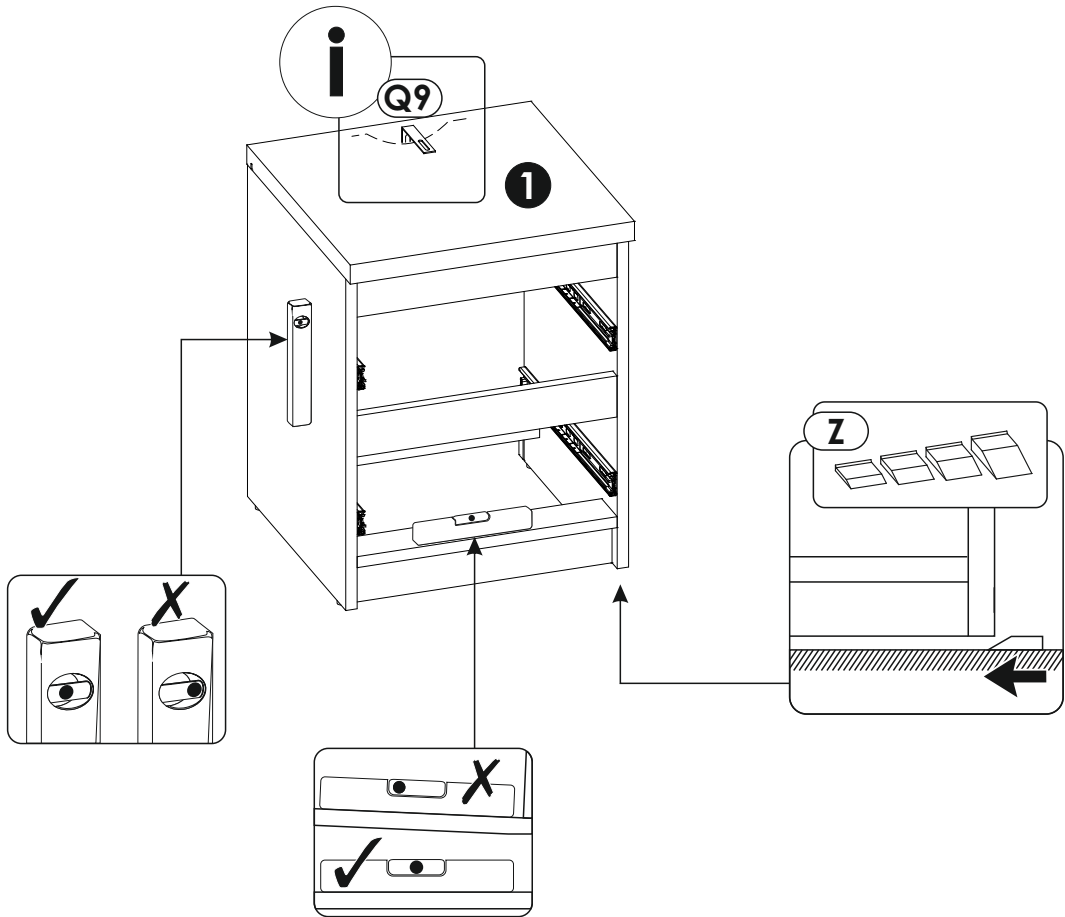
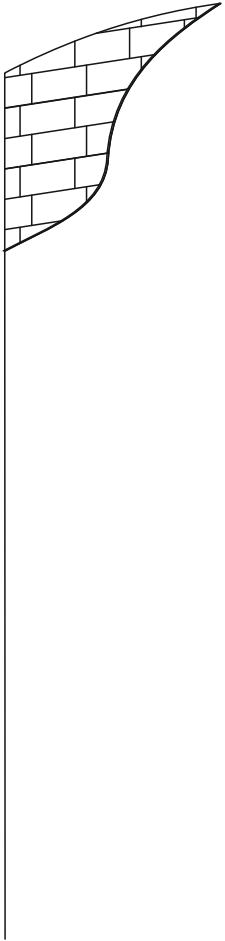
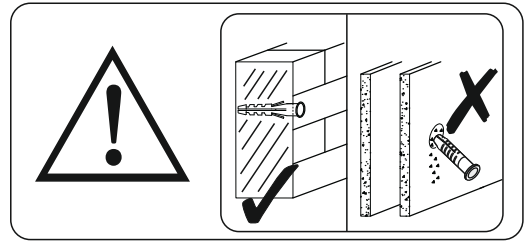


x3

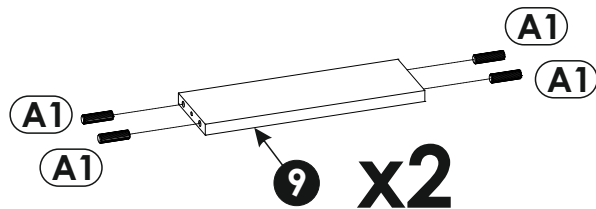
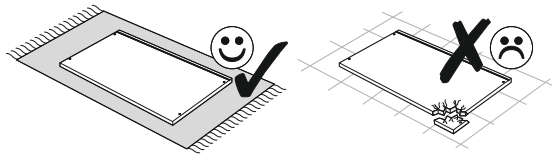


x3

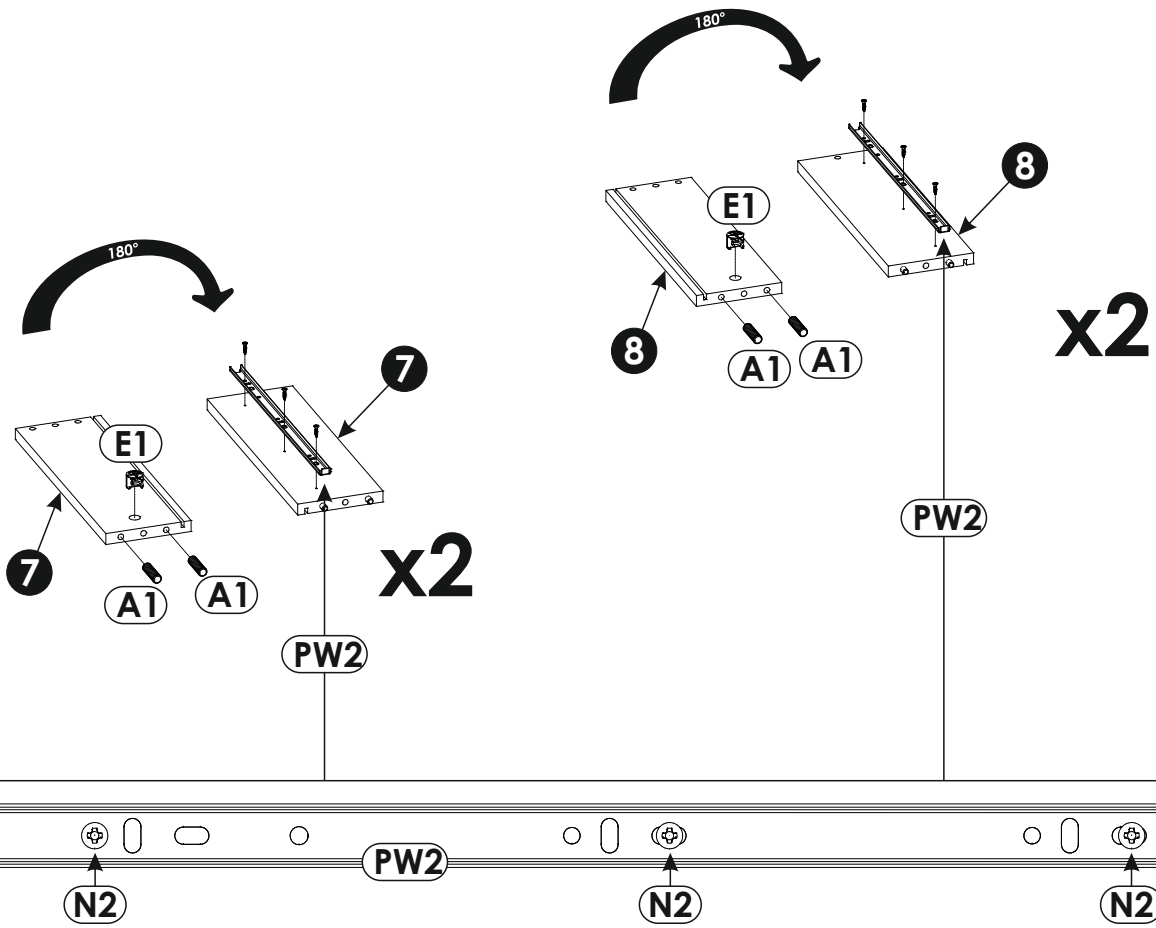
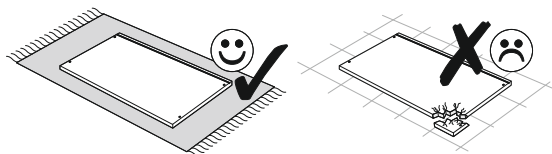




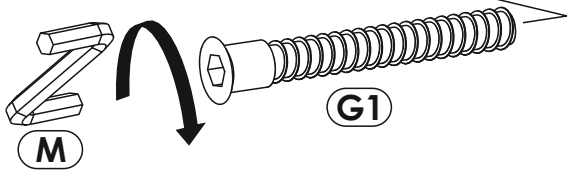
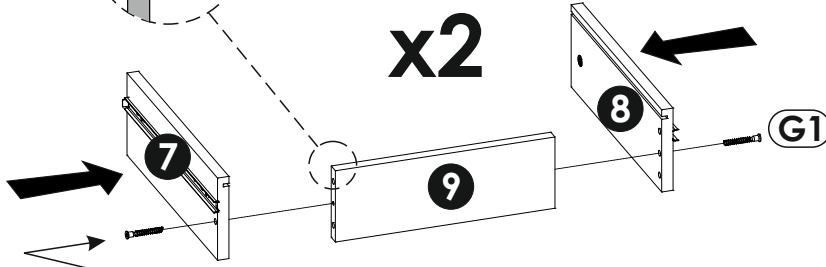
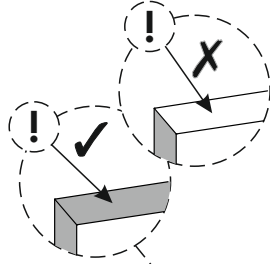
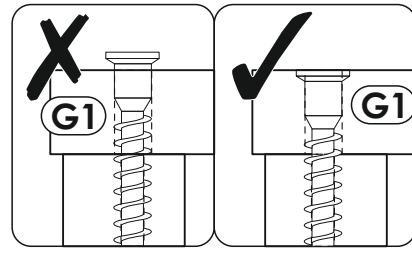
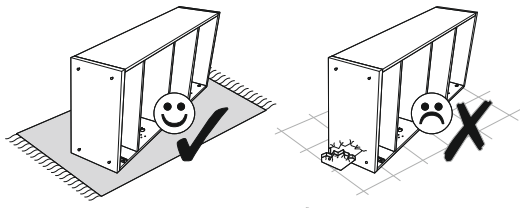
15▶



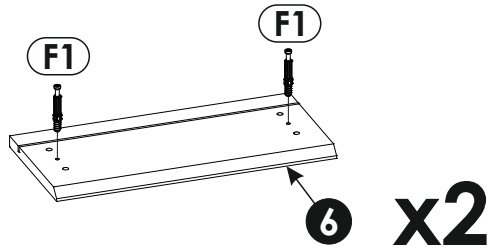
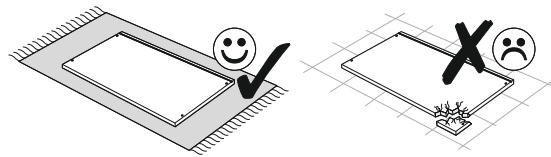
16▶



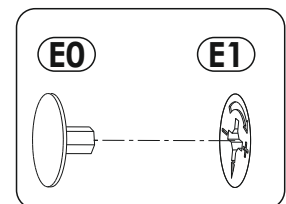
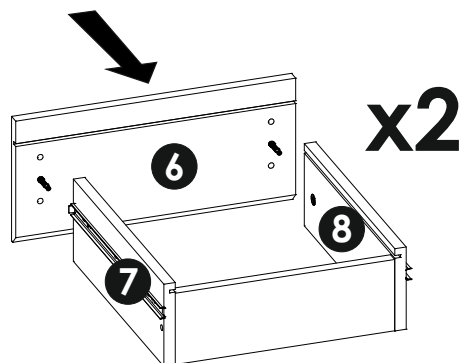
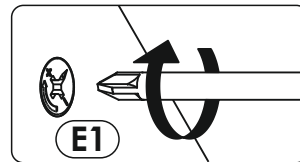
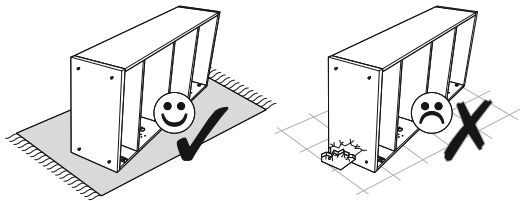
17▶



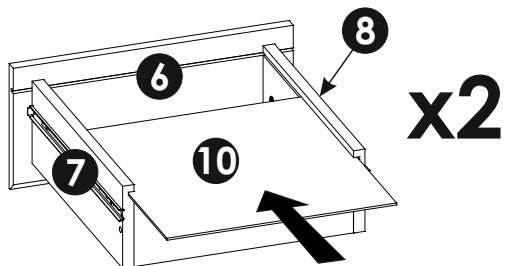
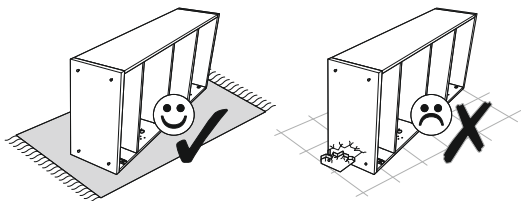
18▶



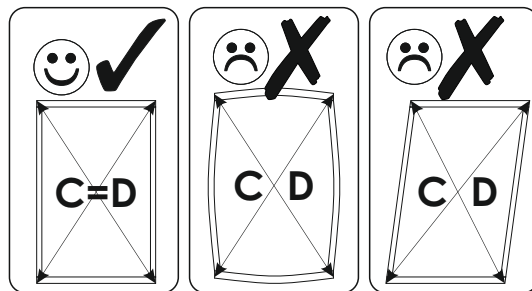
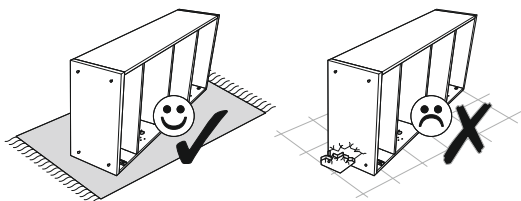
19▶



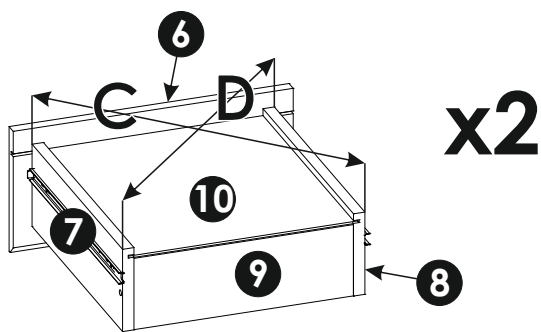
20 ▶



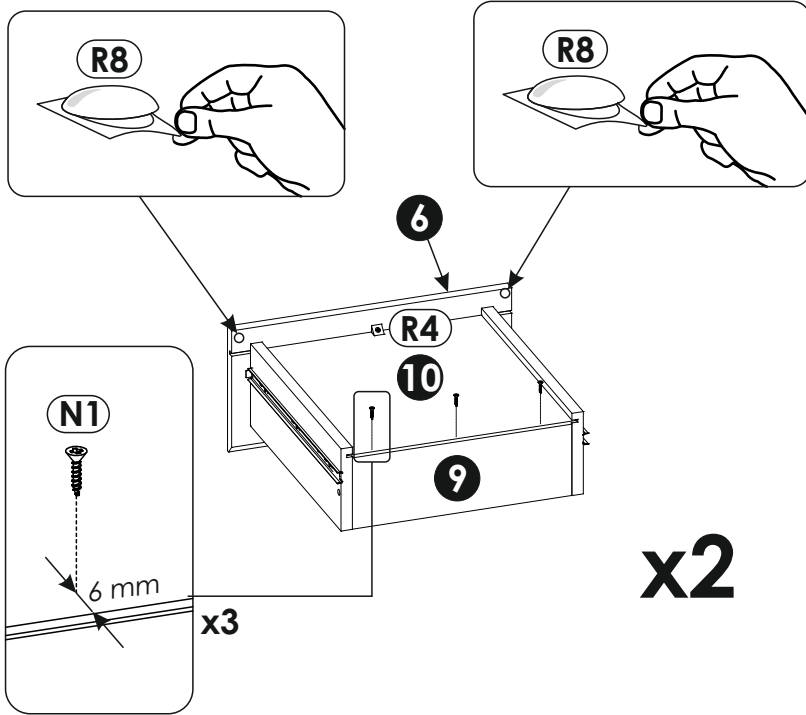
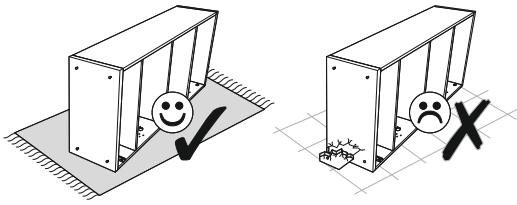
21 ▶



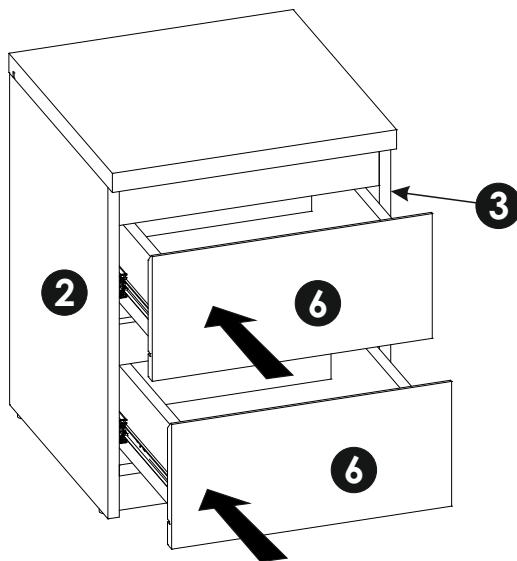
C=D

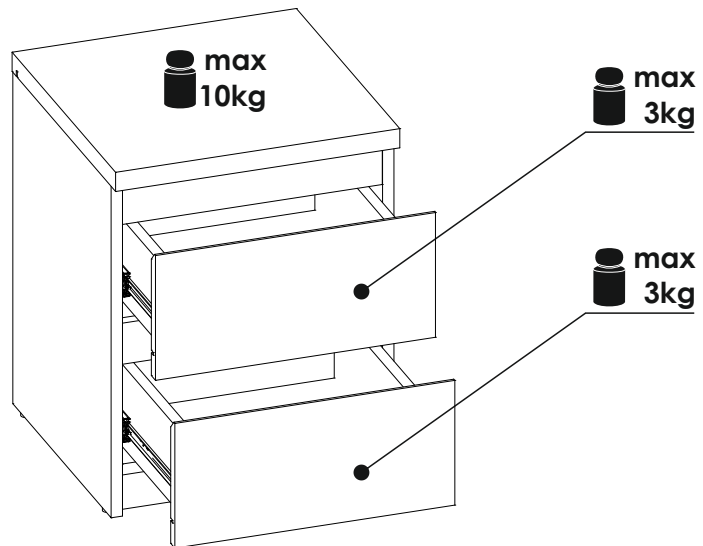


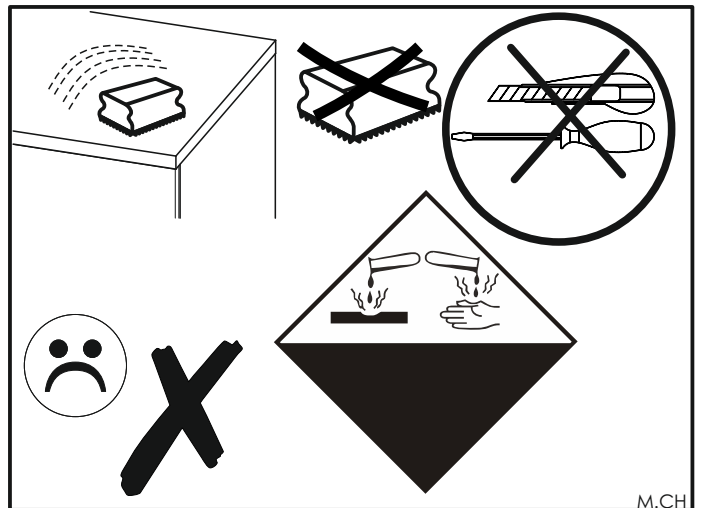
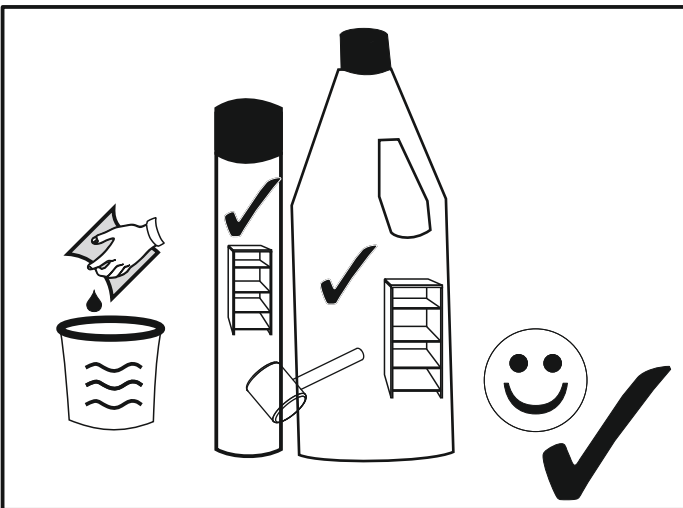
22▶



23▶



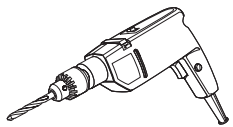
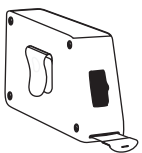
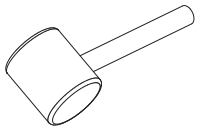
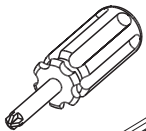
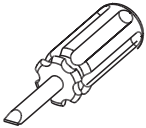
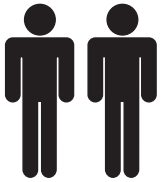




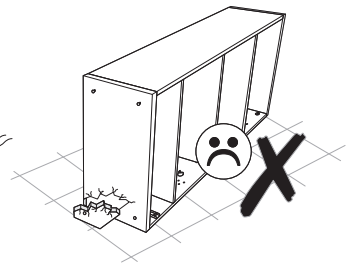
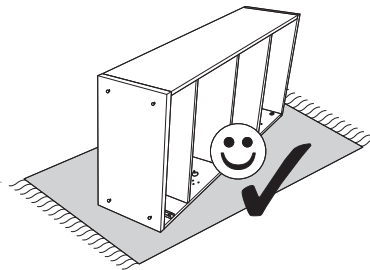
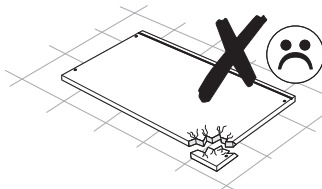
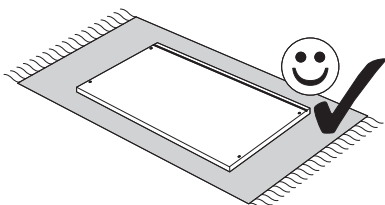
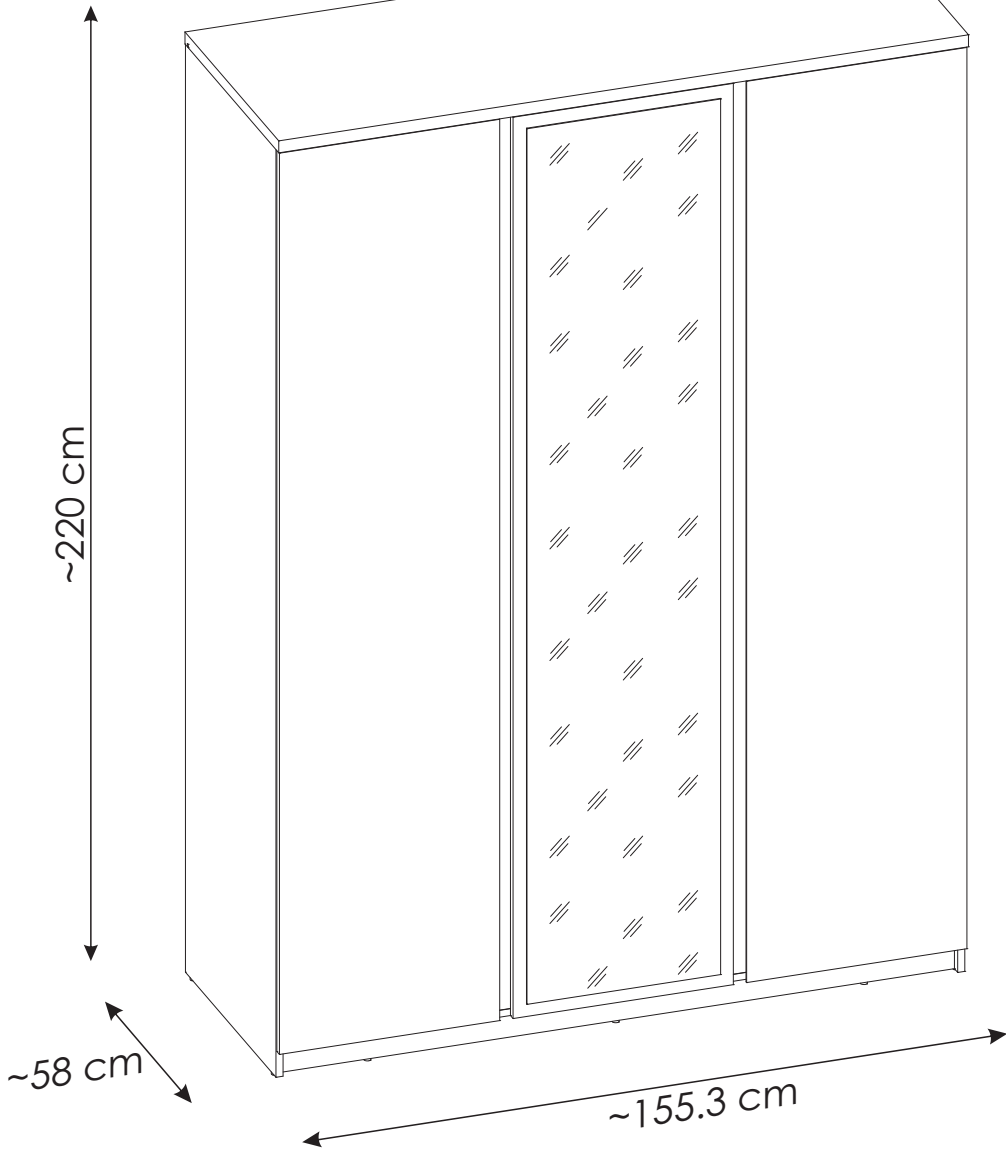
FRIS03

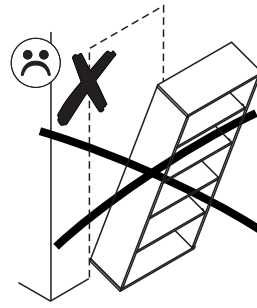
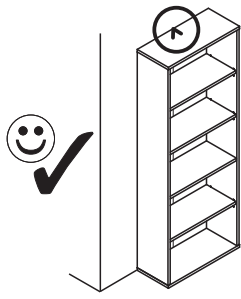


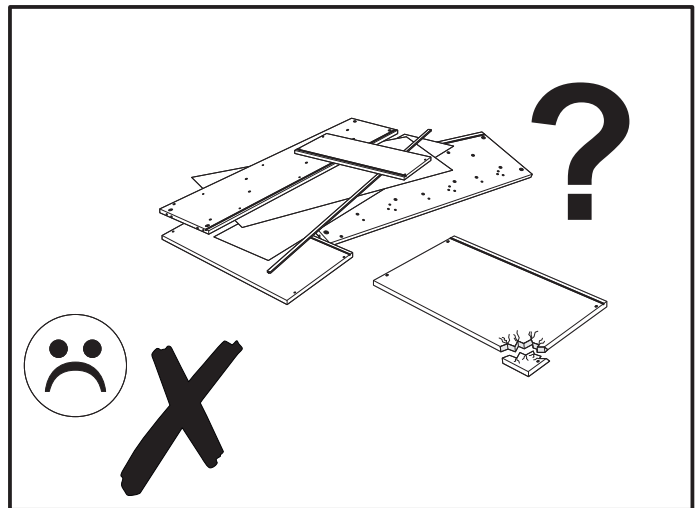
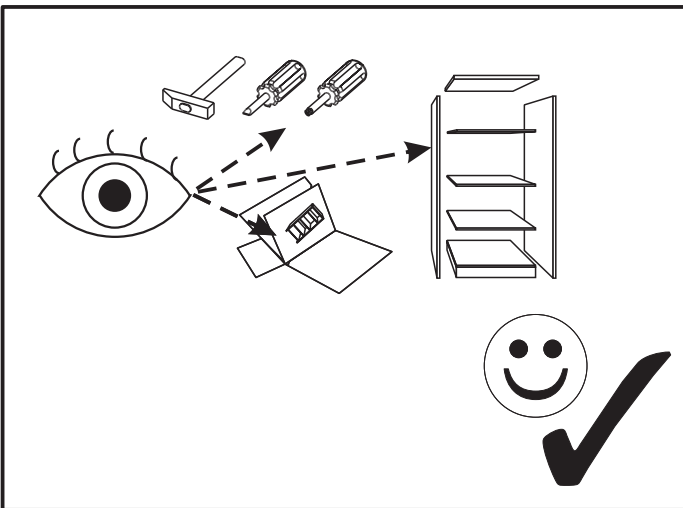
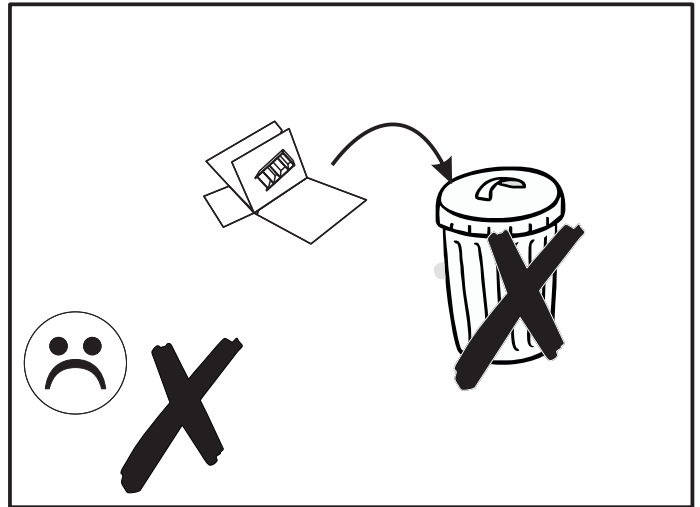
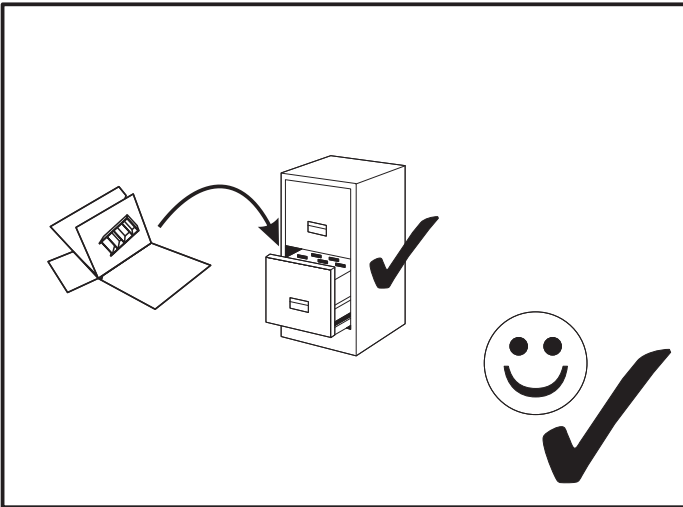
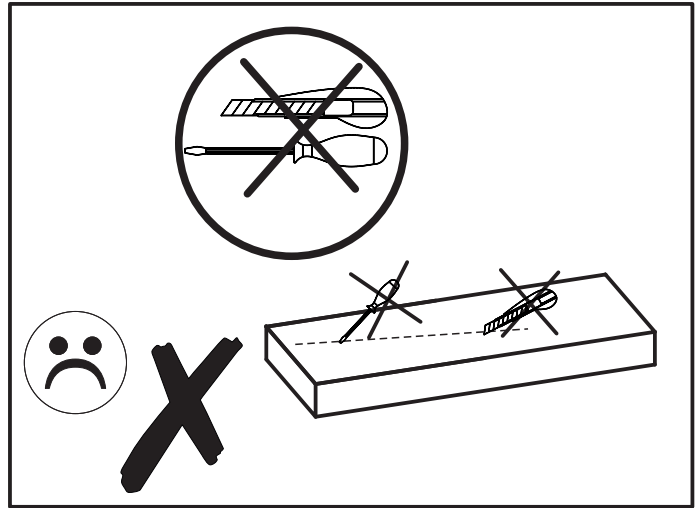
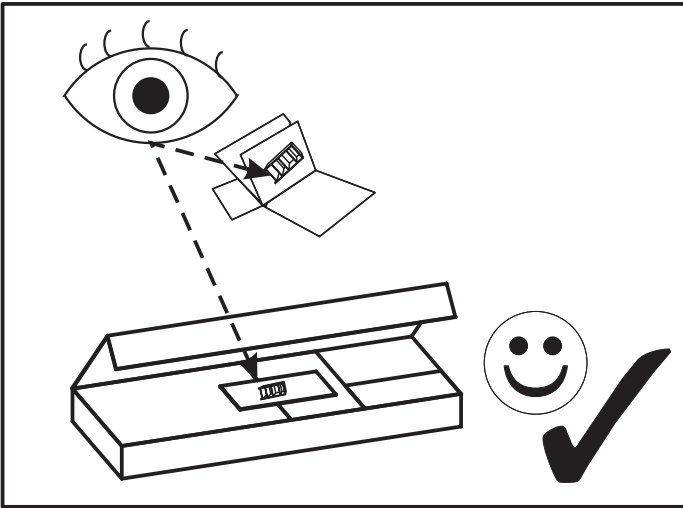
70 MIN



Ø8







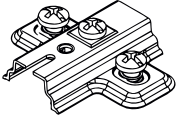


version A

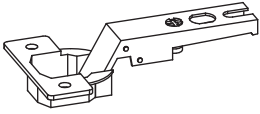


version B

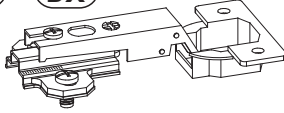
Bx



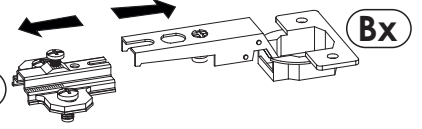
Bx



Bx + Bx

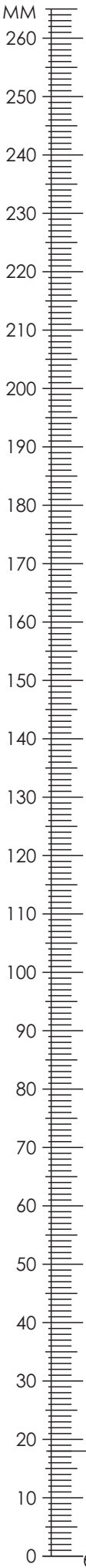


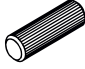
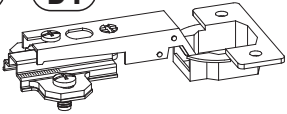

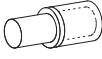


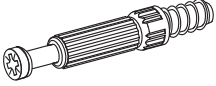


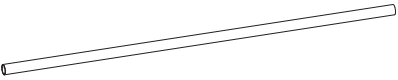


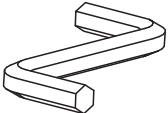
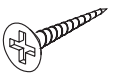

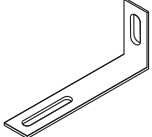
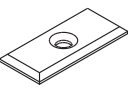
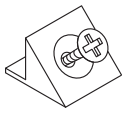
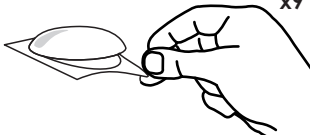
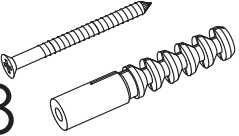
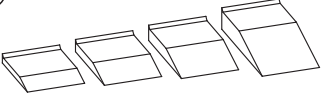

Bx

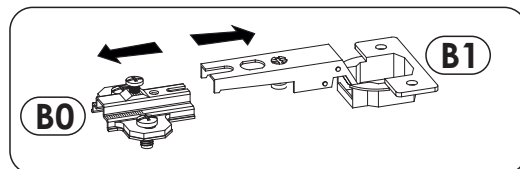


Bx

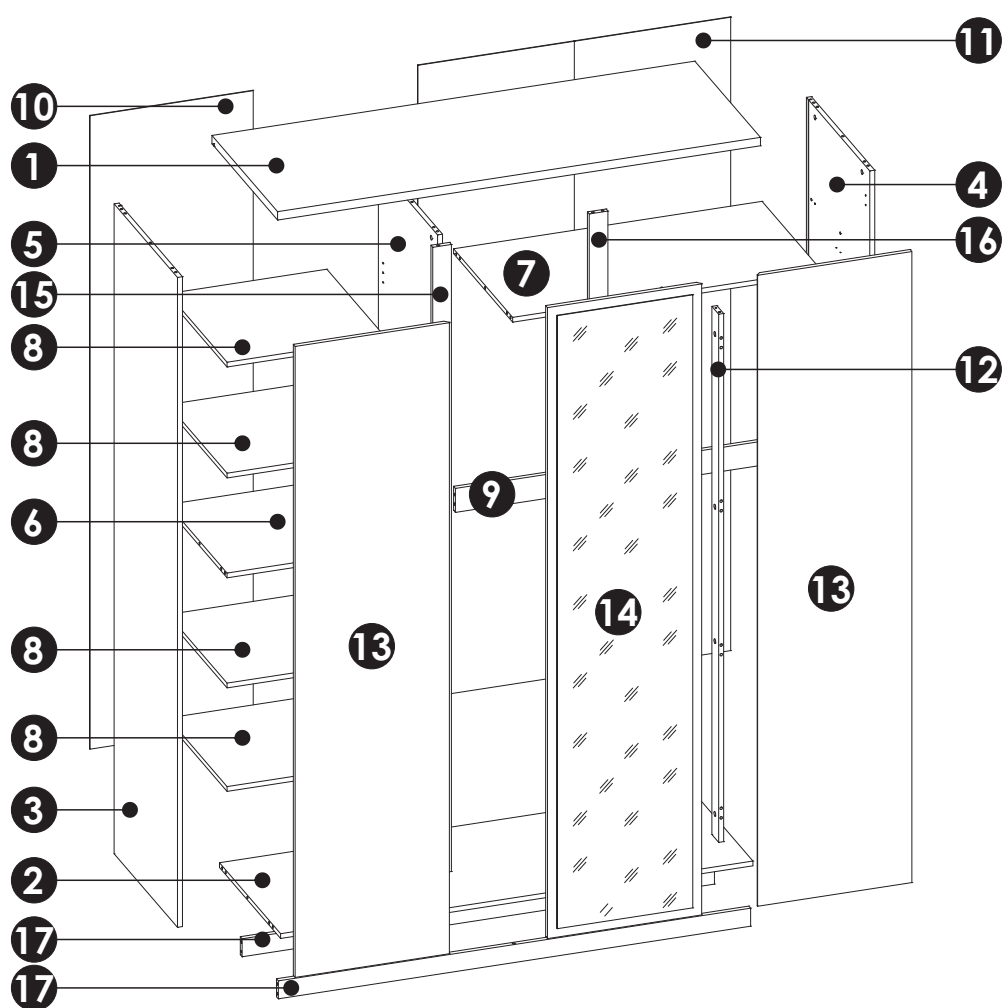
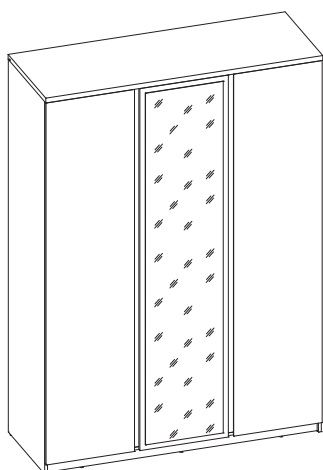
FRIS03



A1 8 x 35 mm x53 	B0 + B1 x12 	C2 5 x 13 mm x24 
D2 x16 	E0 x22 	E1 15 x 12 mm x35 
F1 6 x 34 mm x35 	G0 x1 	G1 7 x 50 mm x4 
H2 L - 984 mm x2 	I2 4 x 16 mm x2 	J4 3,5 x 16 mm x12 
M x1 	N1 3 X 16 mm x30 	O2 x10 
Q9 x2 	R1 x14 	R4 x14 
R8 x9 	S13 x2 Ø8 	Z x1 
Z1 x4 		



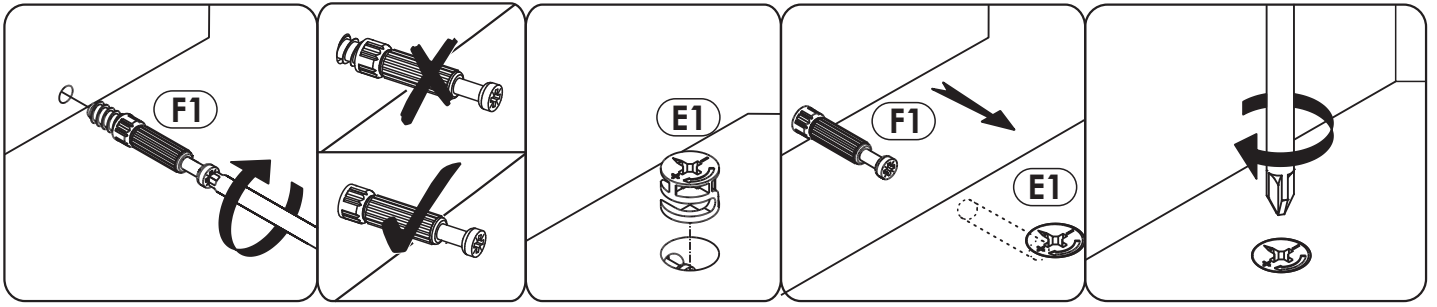
FRIS03



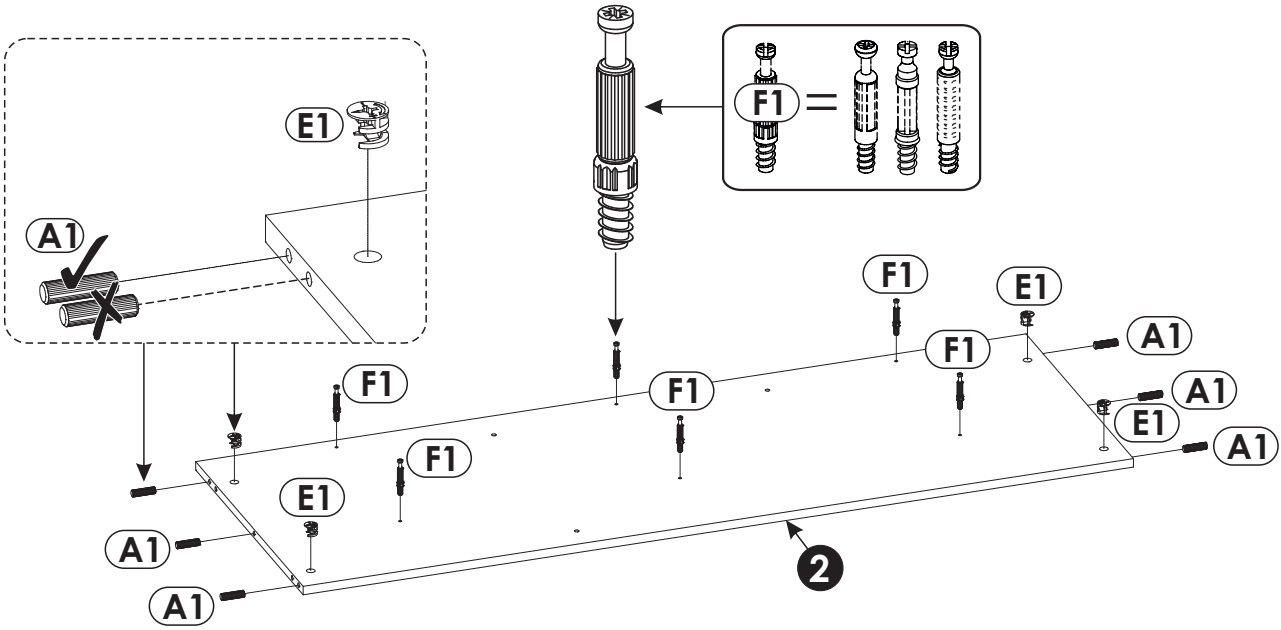
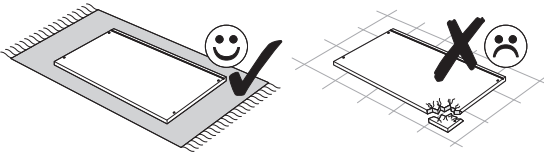
1	1553	580	28	x1	2/5
2	1519	540	16	x1	2/5
3	2167	560	16	x1	5/5
4	2167	560	16	x1	5/5
5	2091	523	16	x1	4/5

6	511	522	16	x1	1/5
7	992	522	16	x1	1/5
8	511	522	16	x4	1/5
9	992	80	16	x1	3/5
10	2112	525	3	x1	4/5
11	2112	1006	3	x1	4/5

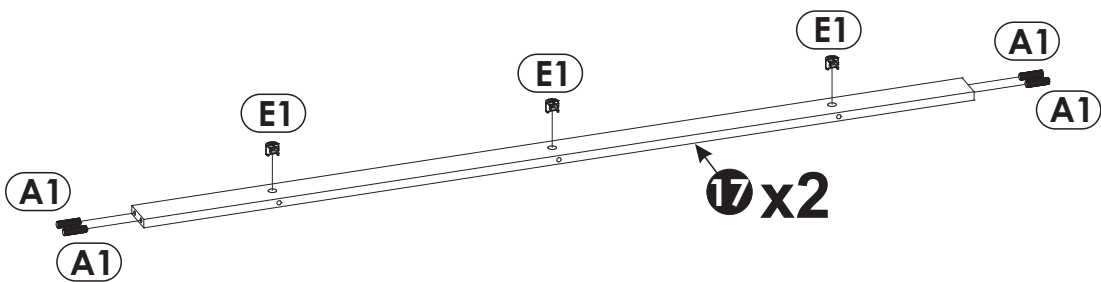
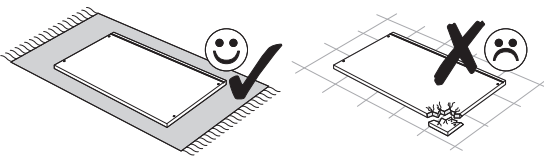
12	1761	60	16	x1	3/5
13	2104	496	16	x2	3/5
14	2104	496	20	x1	4/5
15	2091	60	16	x1	3/5
16	2091	60	16	x1	3/5
17	1519	60	16	x2	5/5



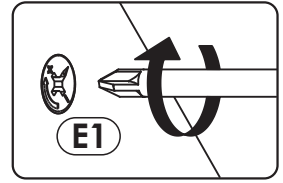
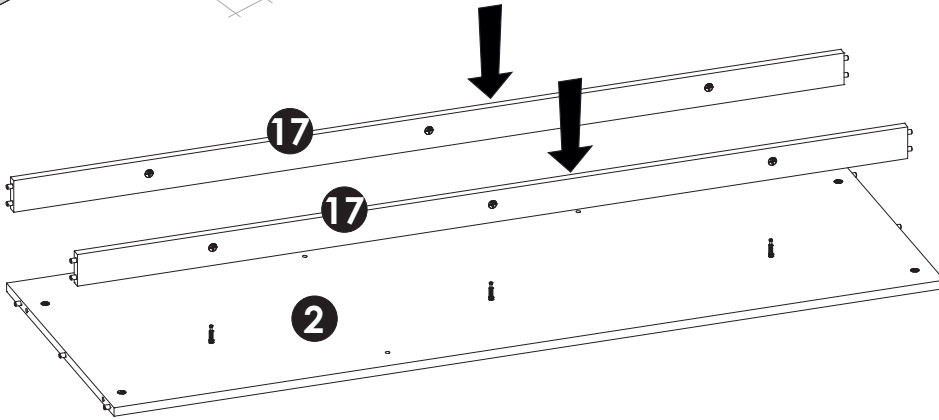
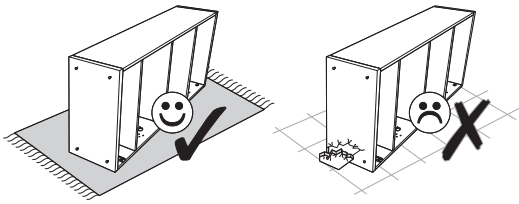
1 ▶



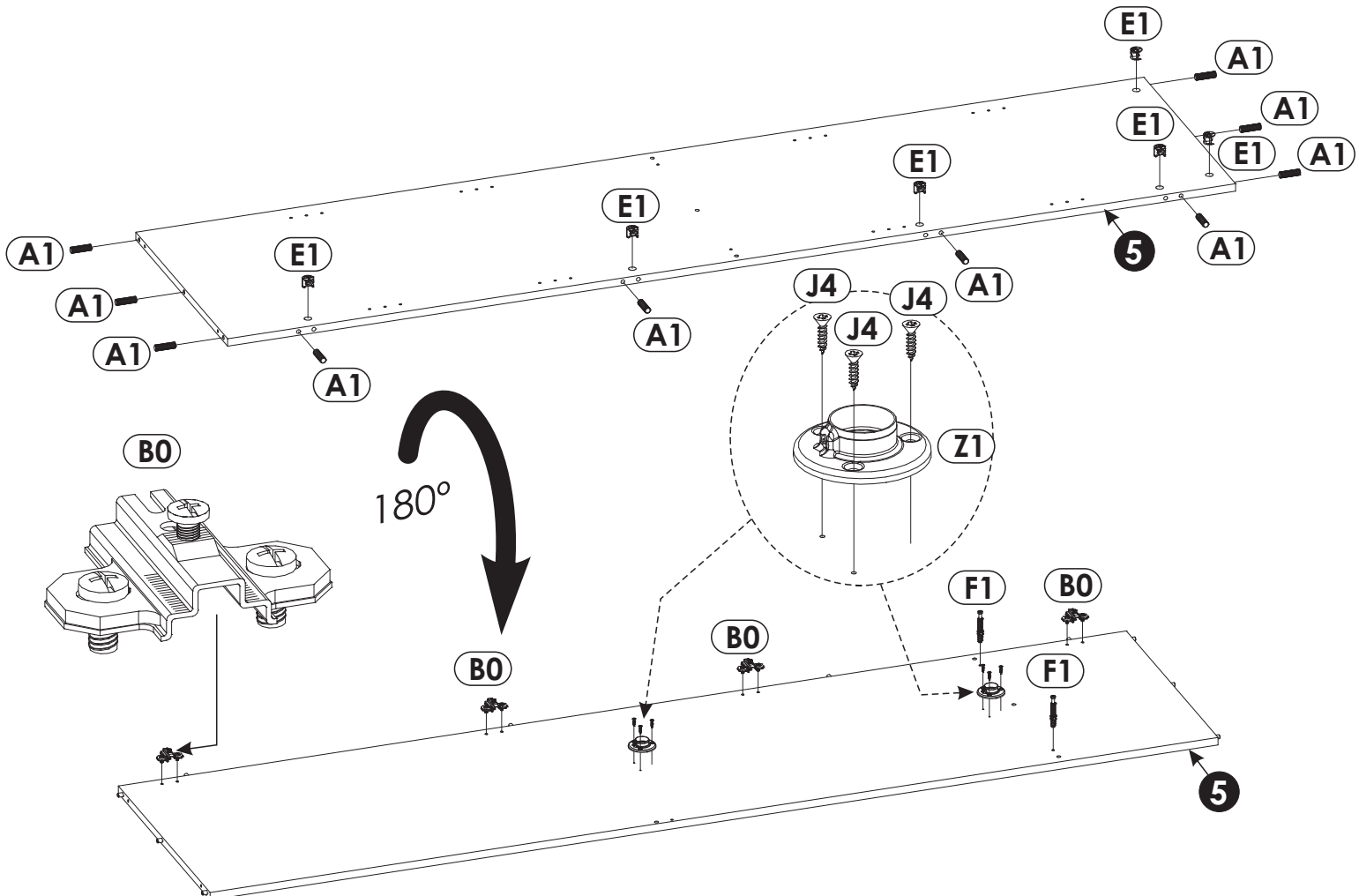
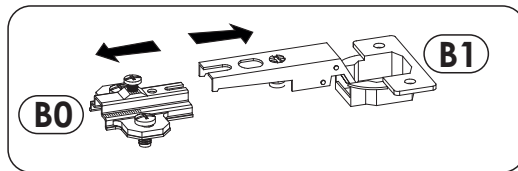
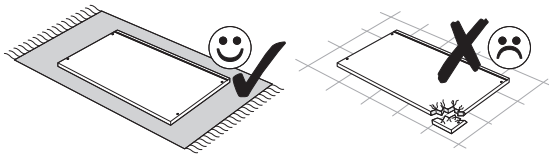
2 ▶



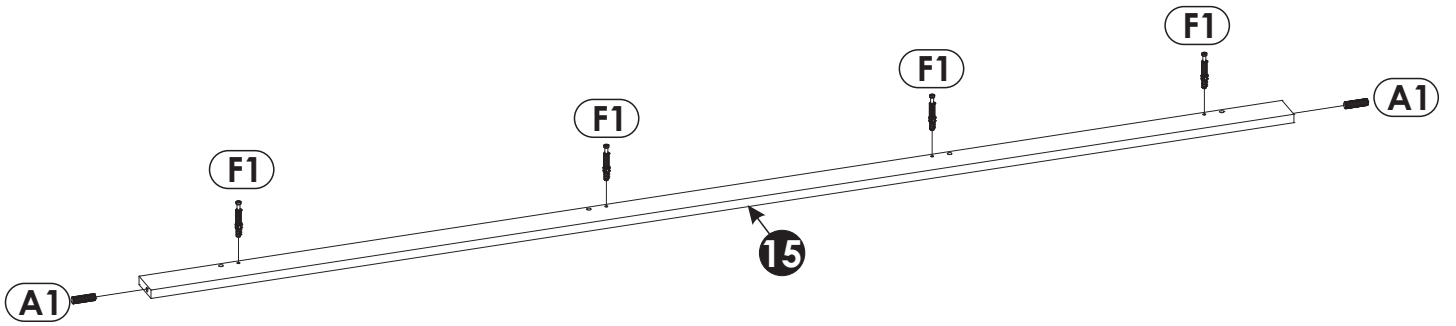
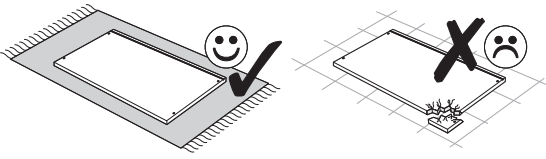
3 ▶



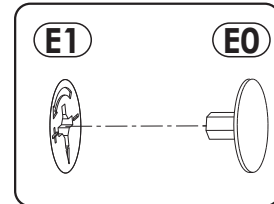
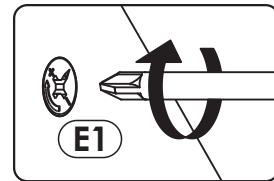
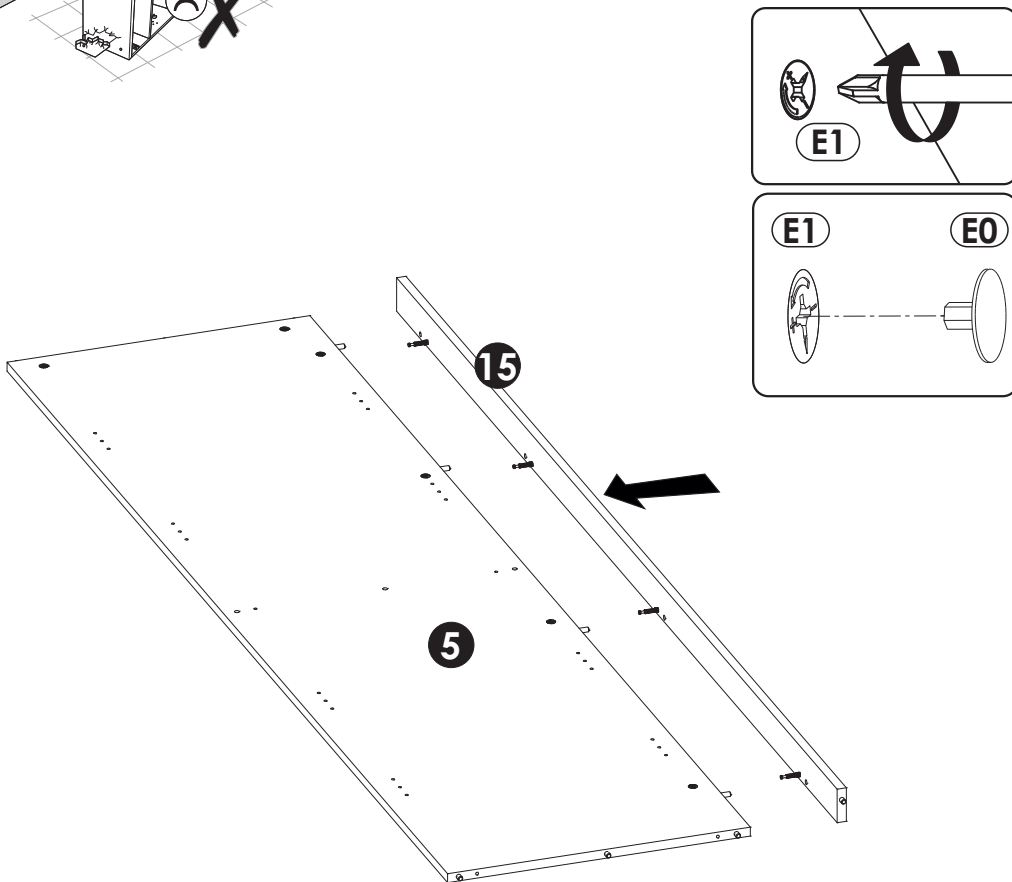
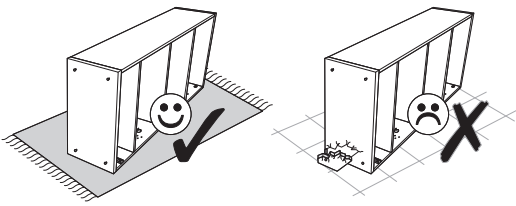
4 ▶



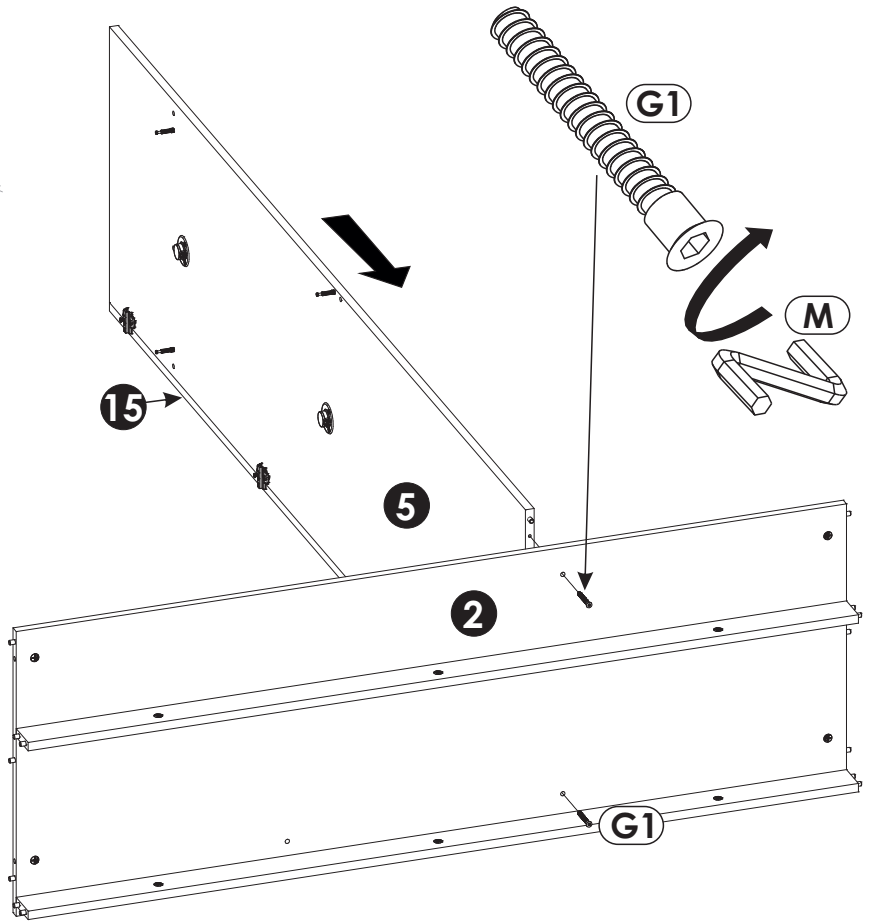
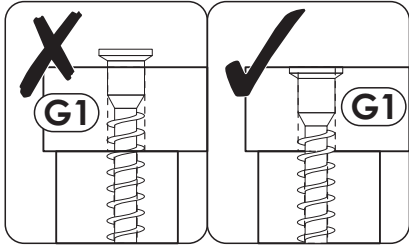
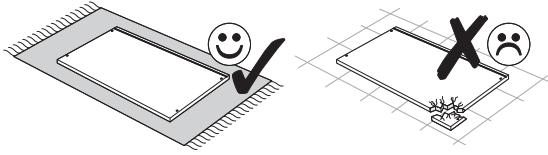
5 ▶



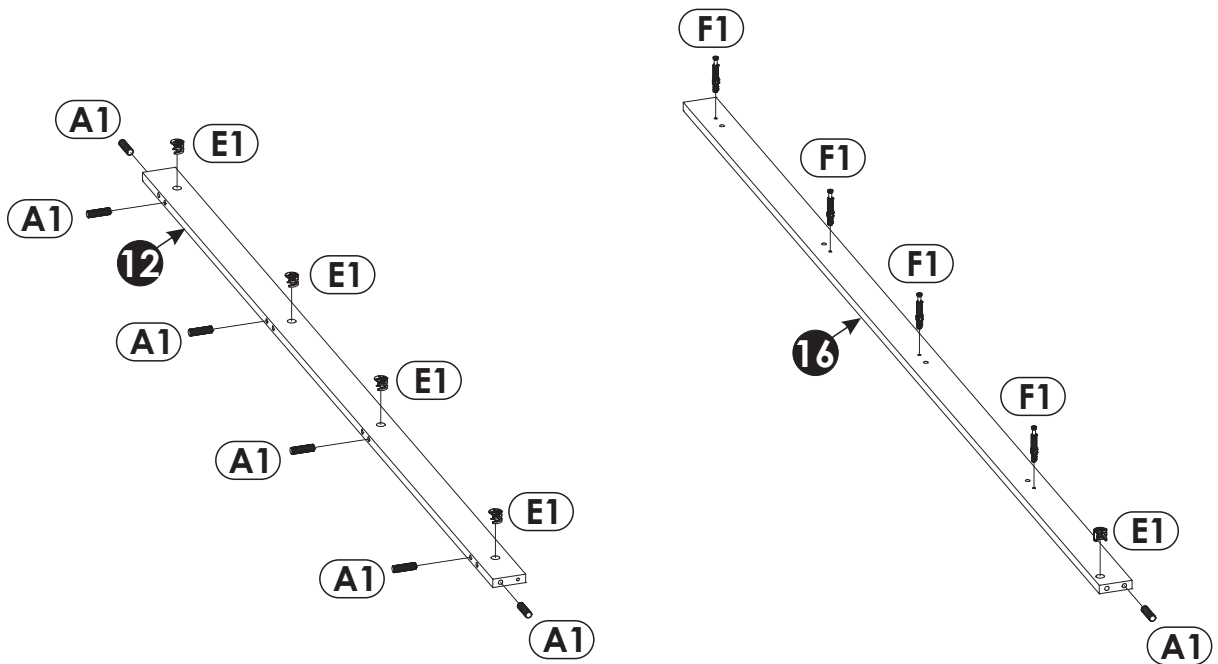
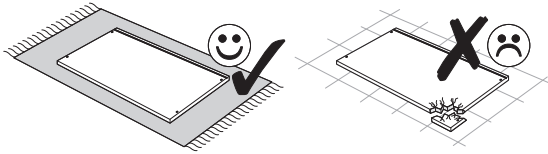
6 ▶



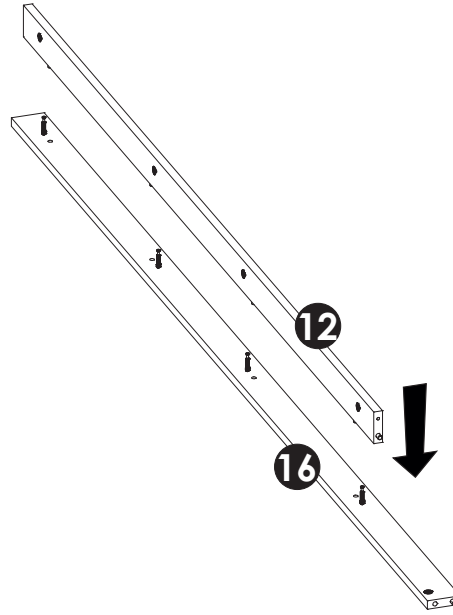
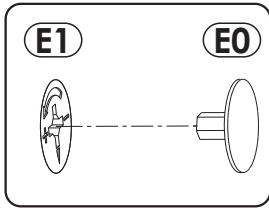
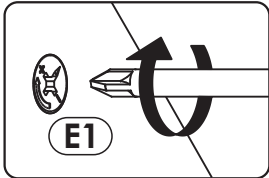
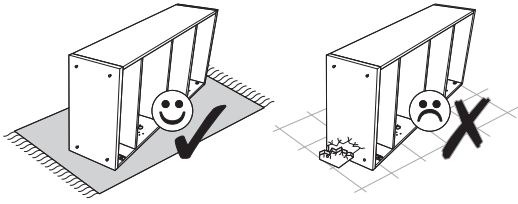
7 ▶



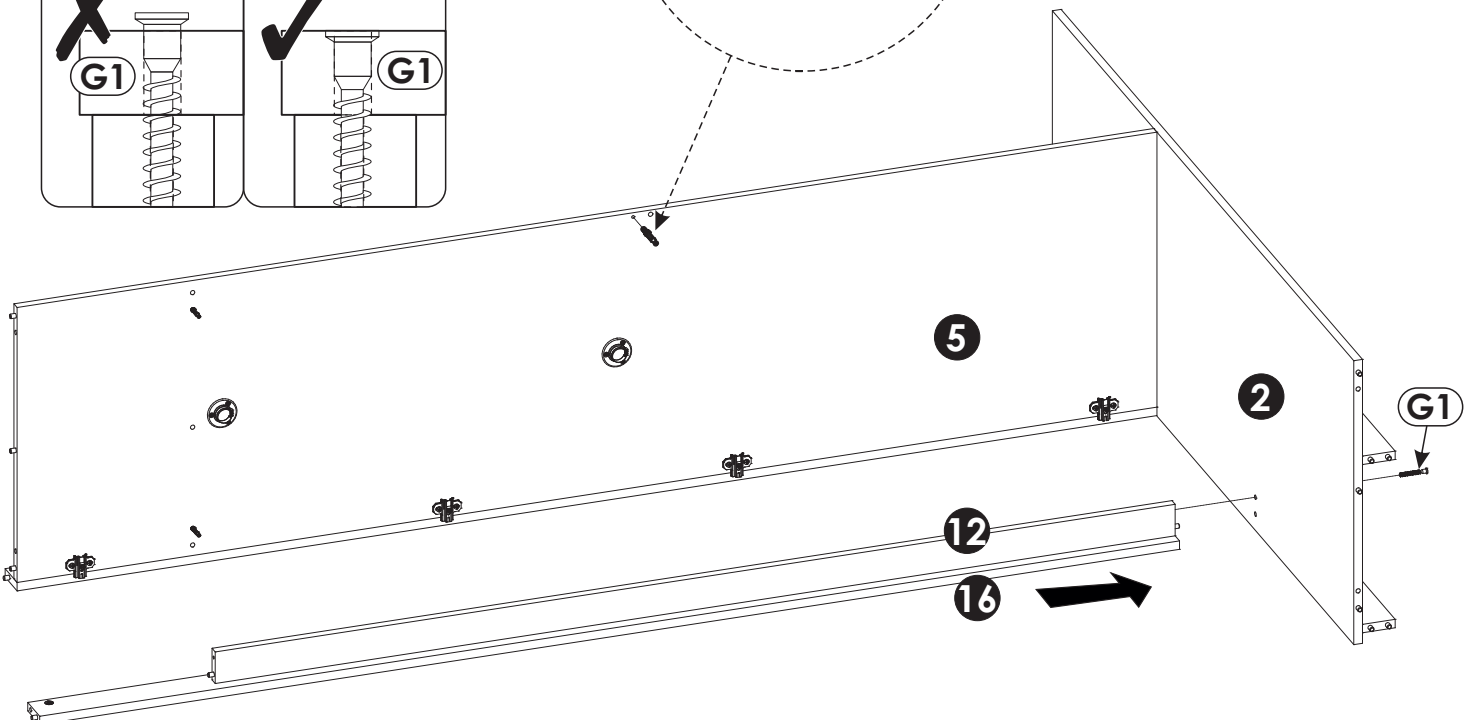
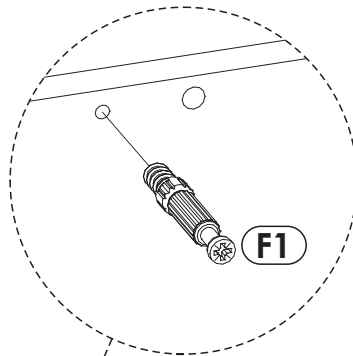
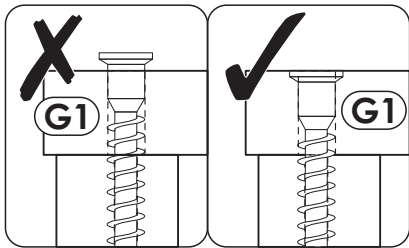
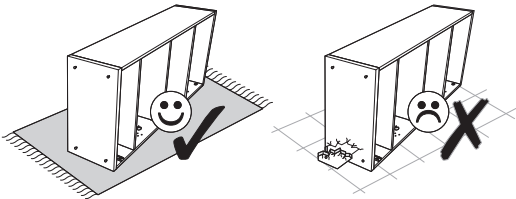
8 ▶



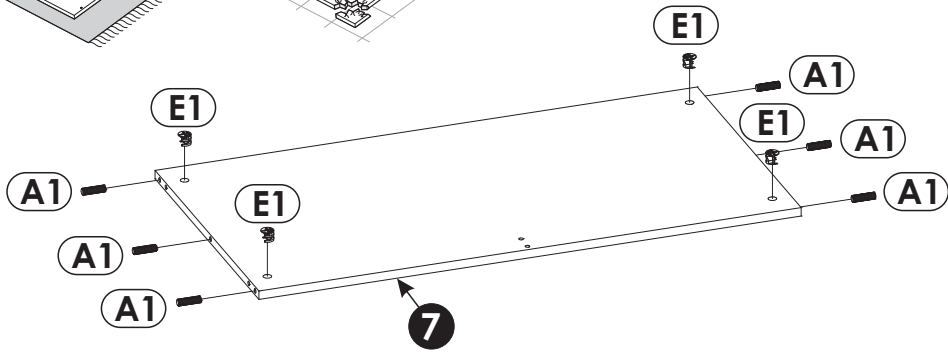
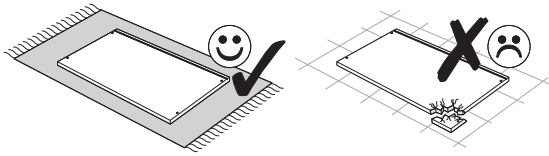
9 ▶



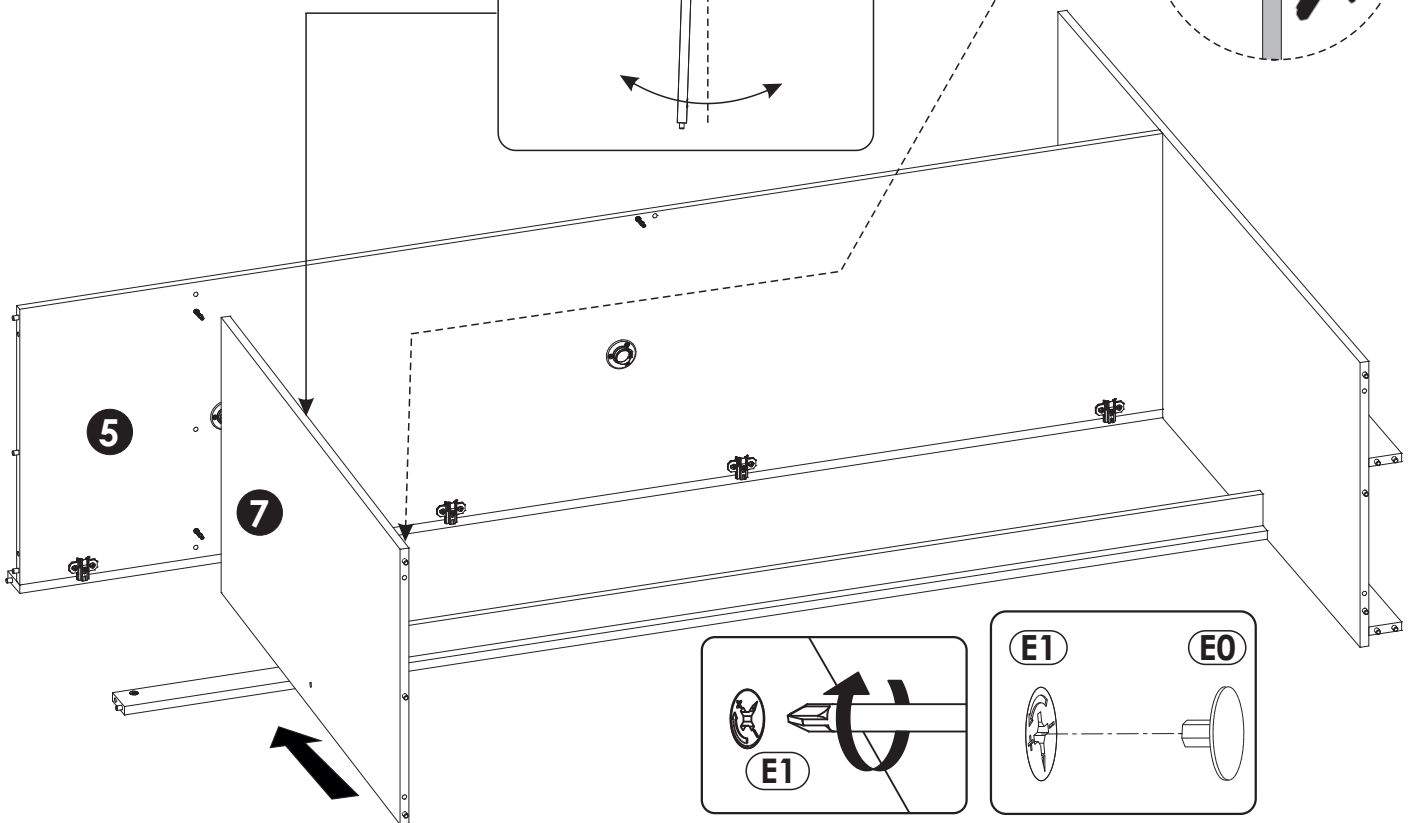
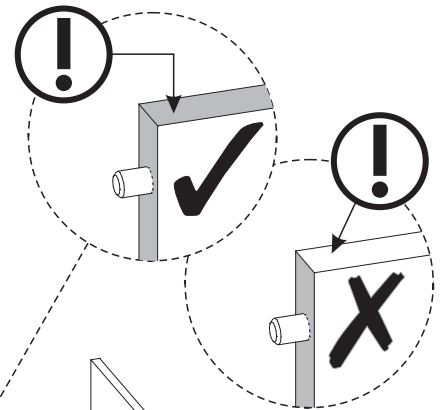
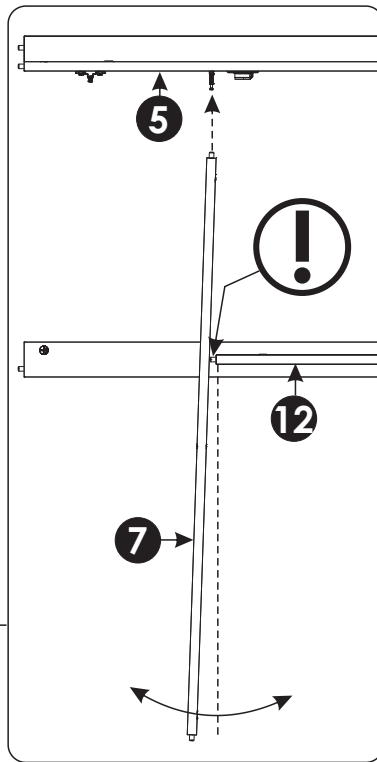
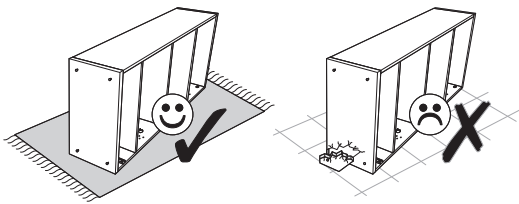
10 ▶



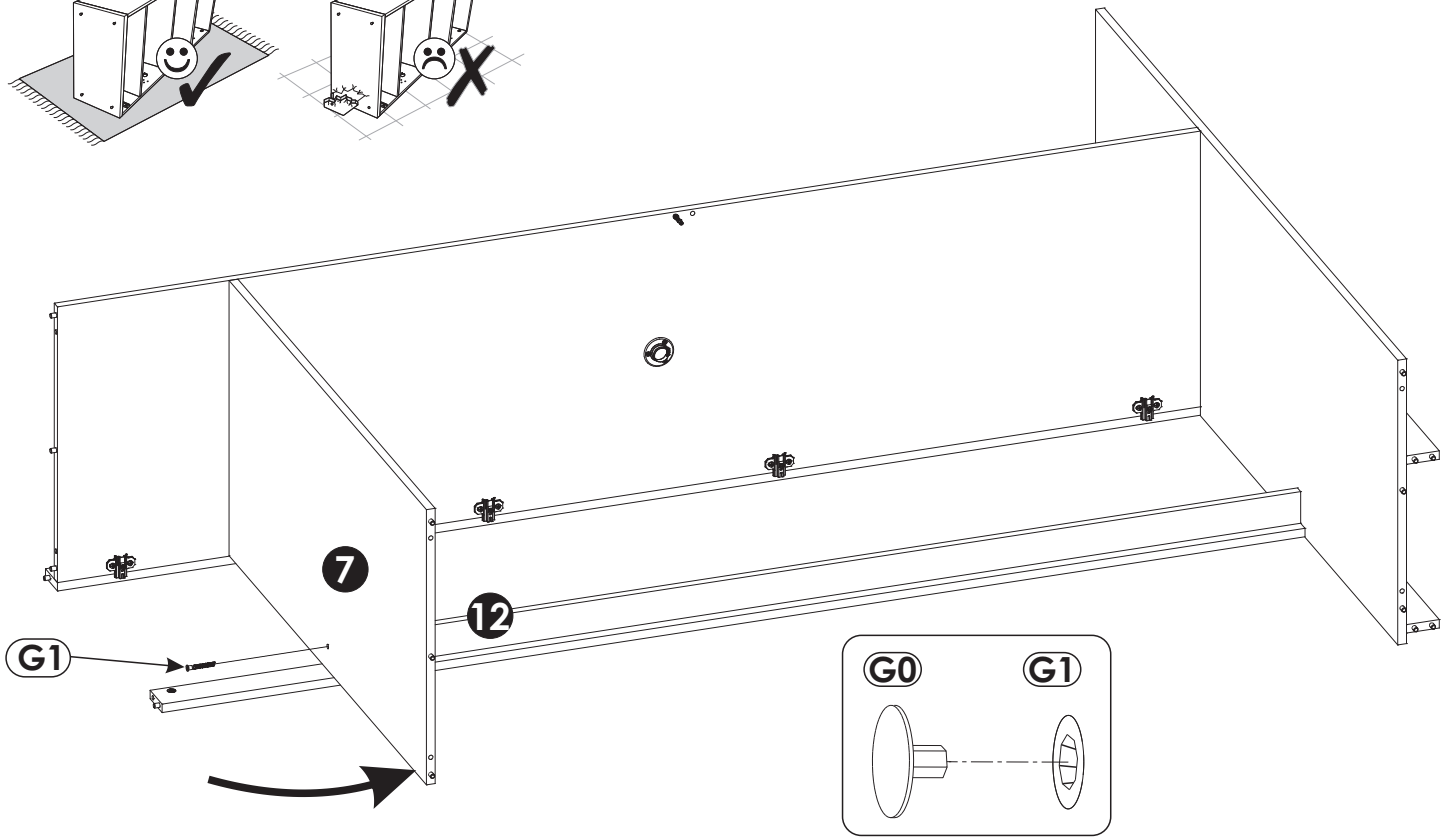
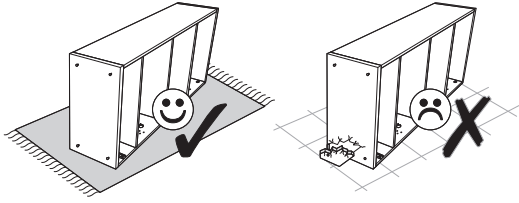
11▶



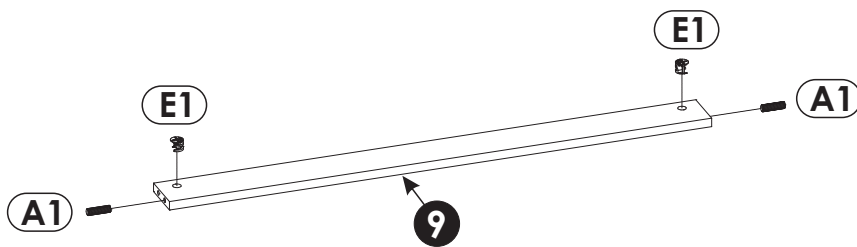
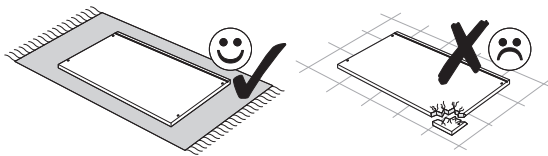
12▶



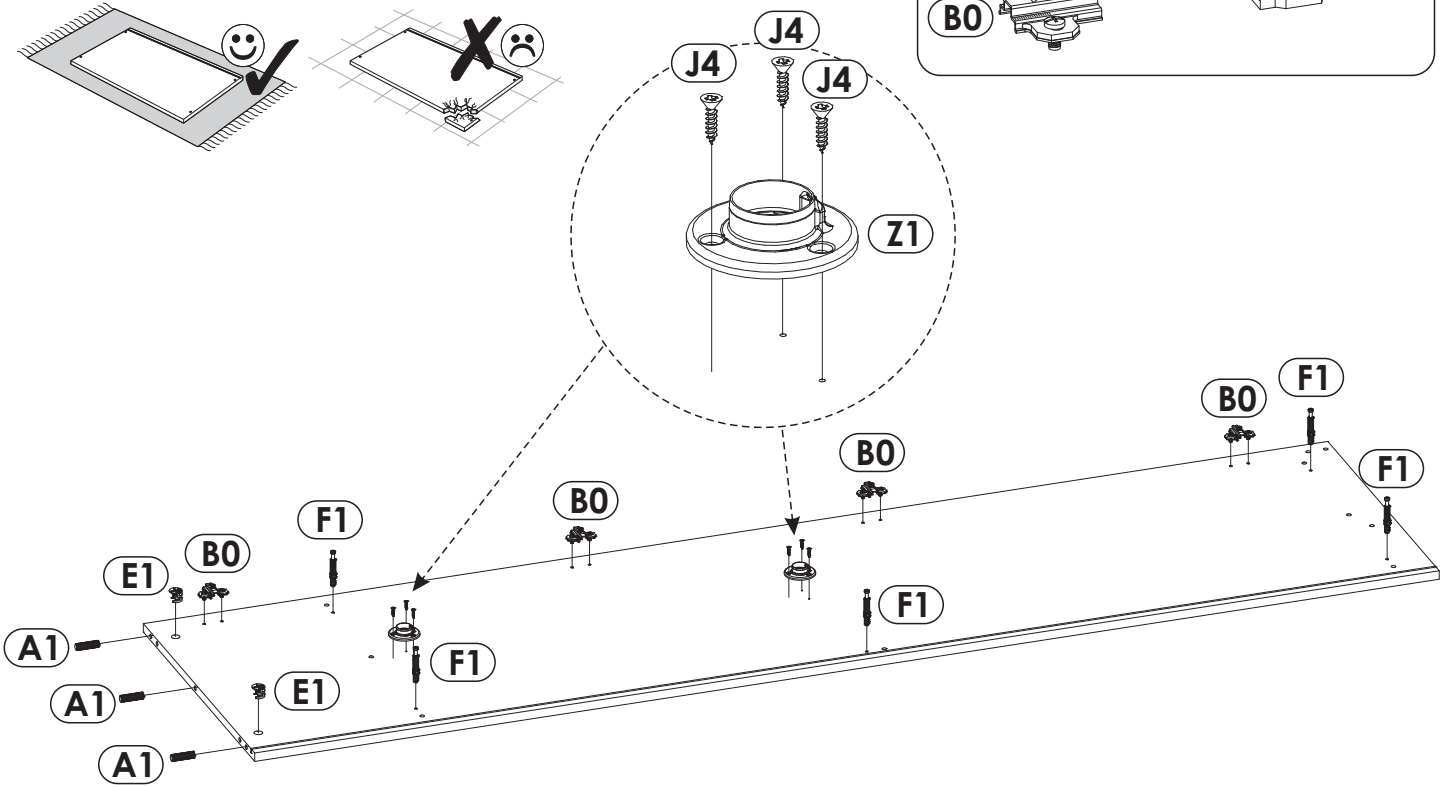
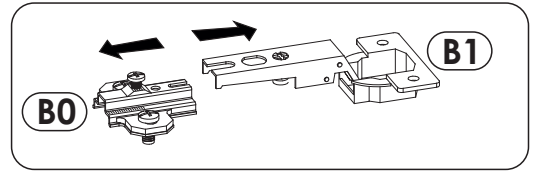
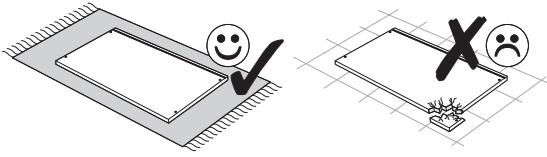
13 ▶



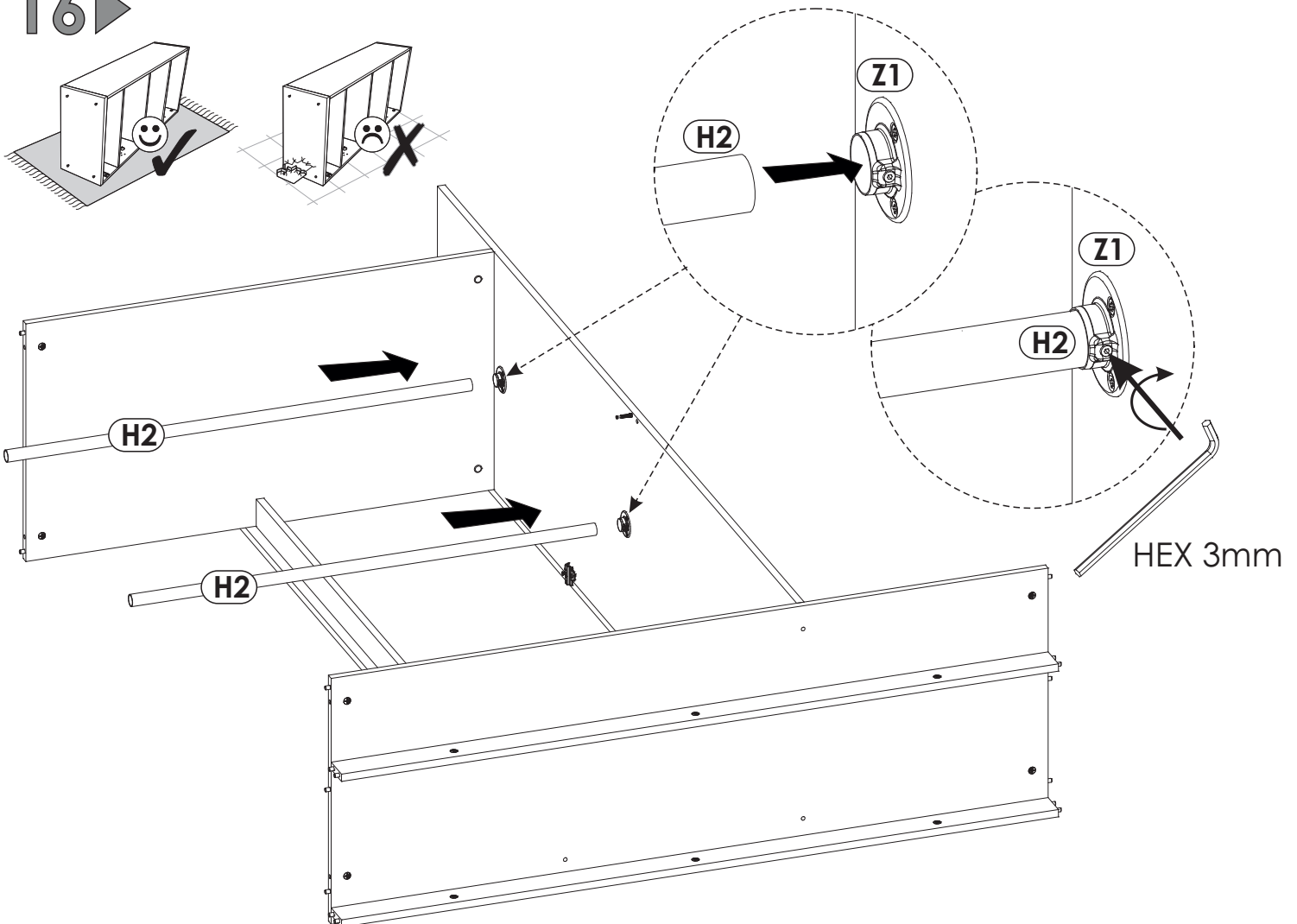
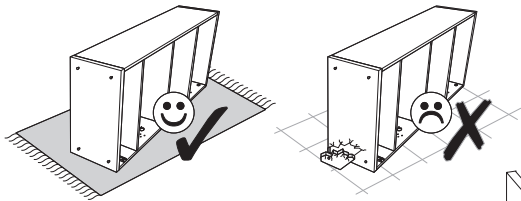
14 ▶



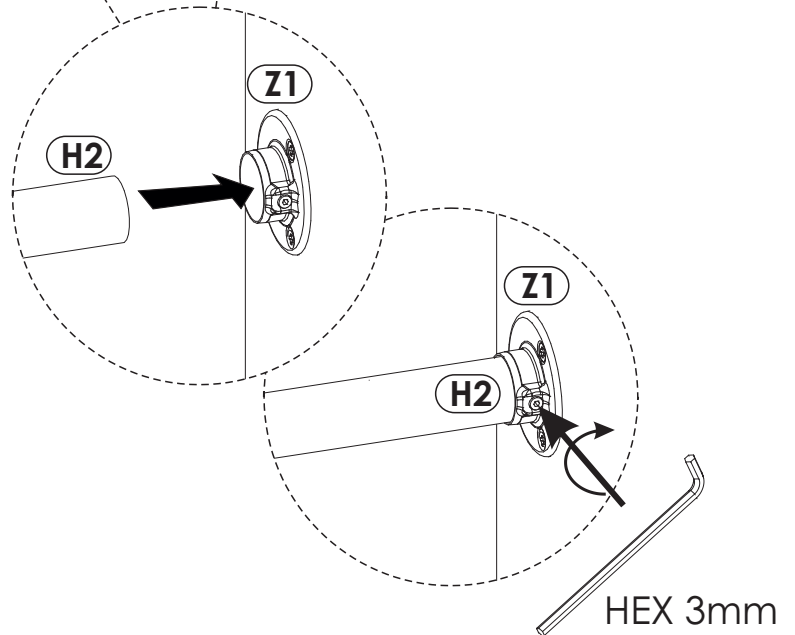
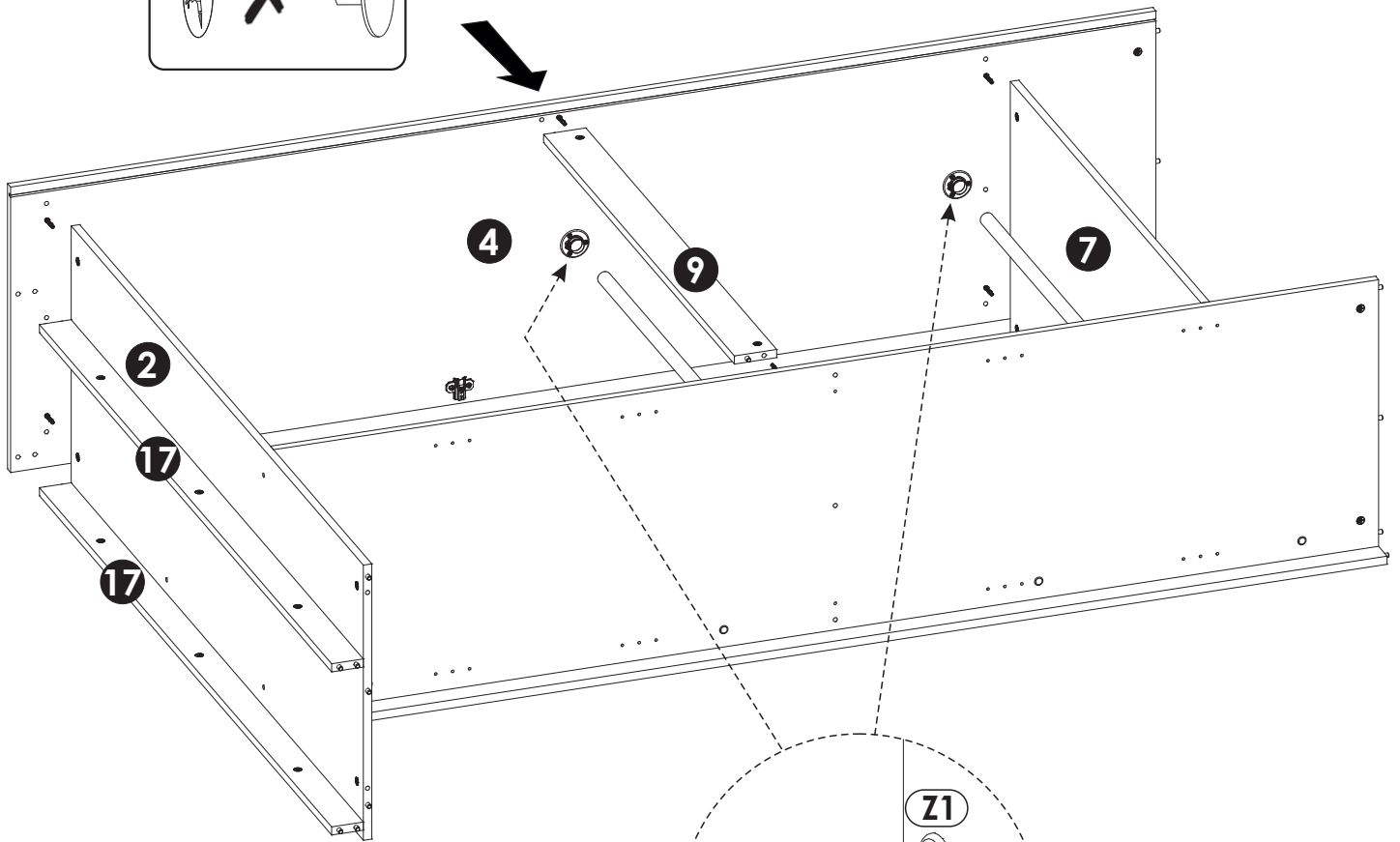
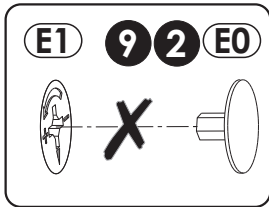
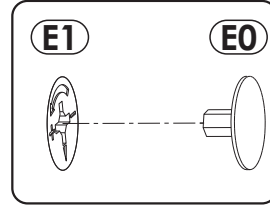
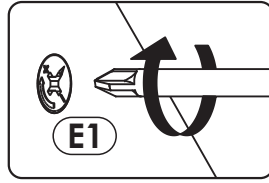
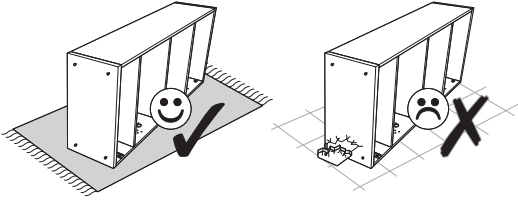
15▶



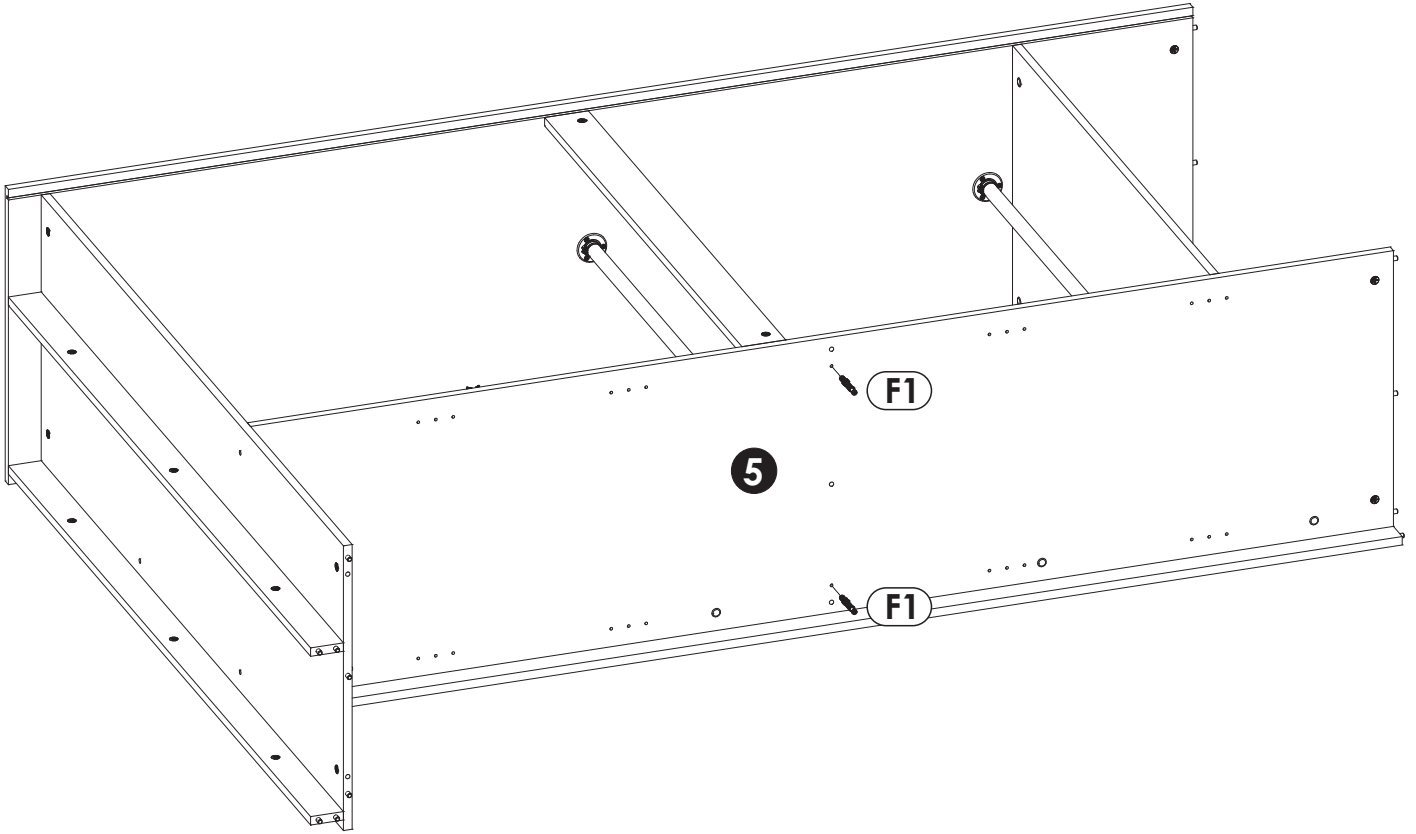
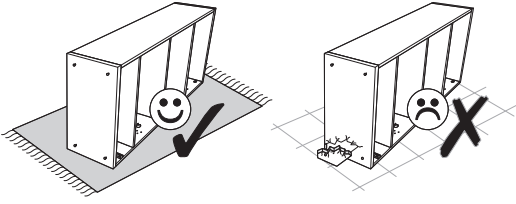
16▶



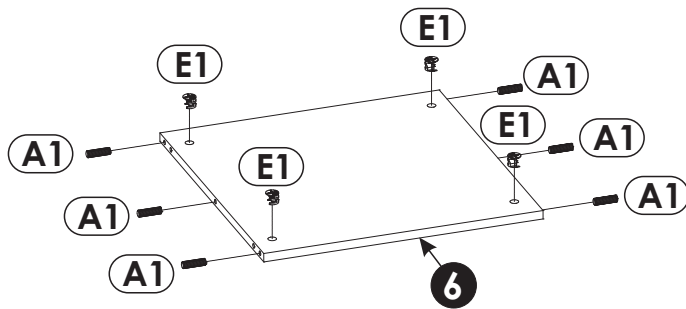
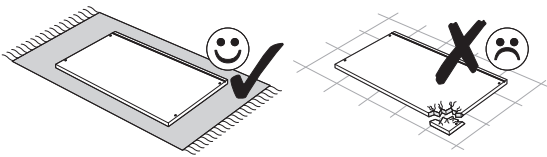
17 ▶



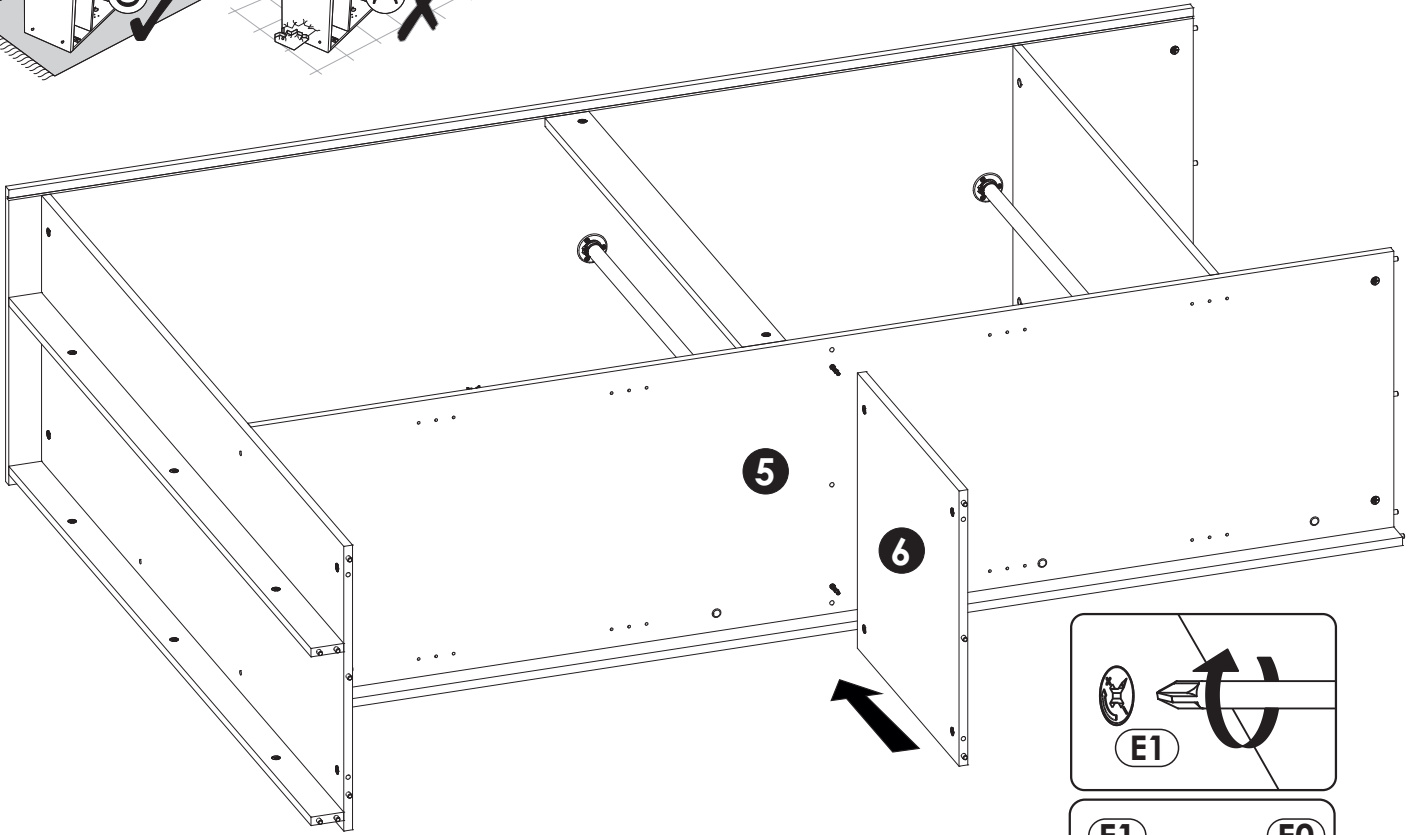
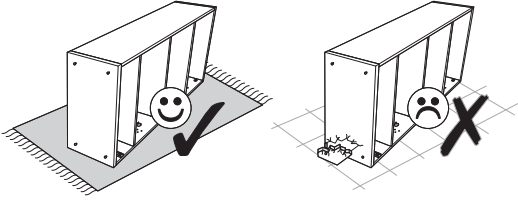
18 ▶



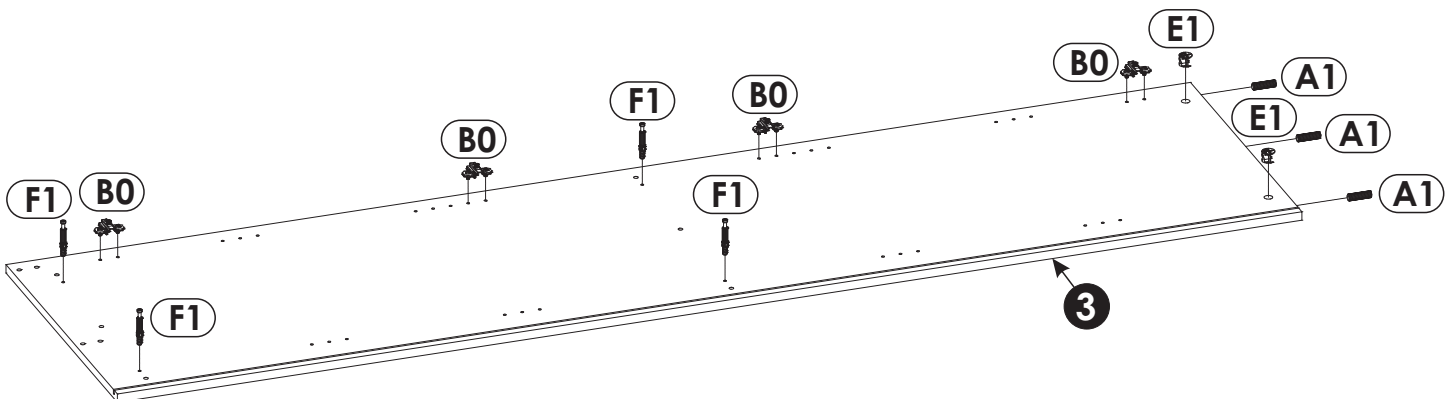
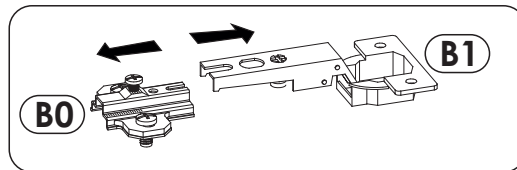
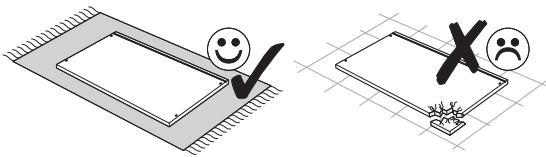
19 ▶



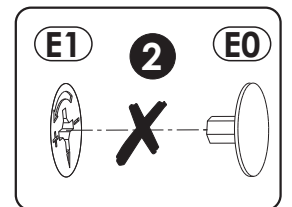
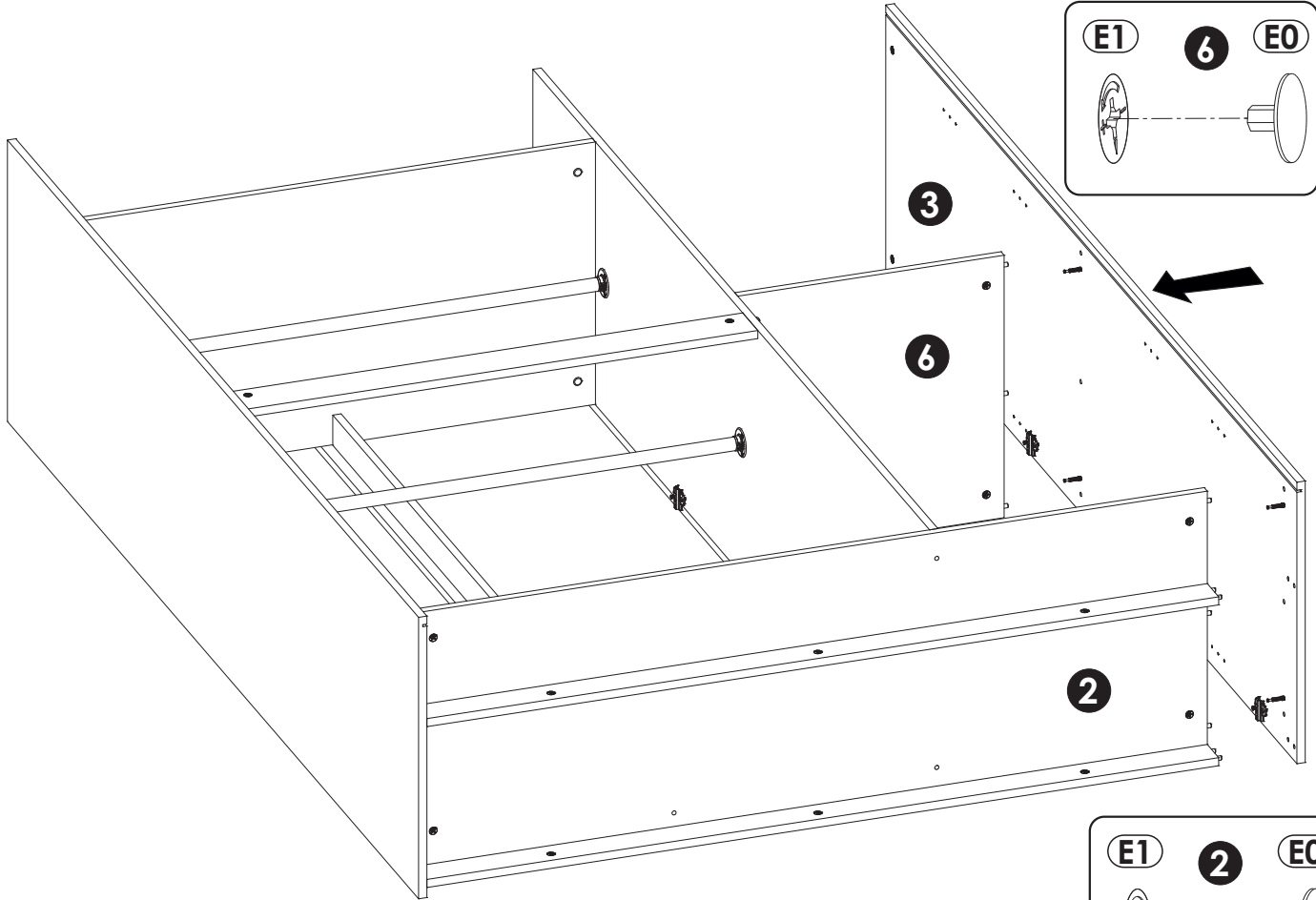
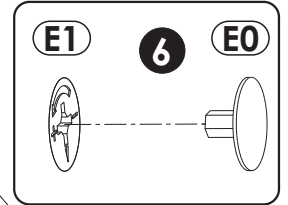
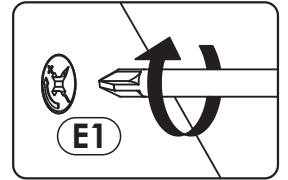
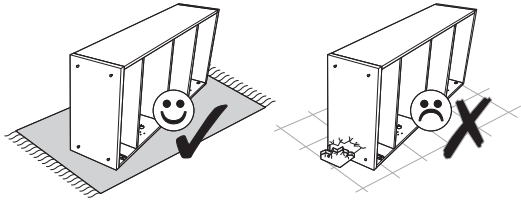
20 ▶



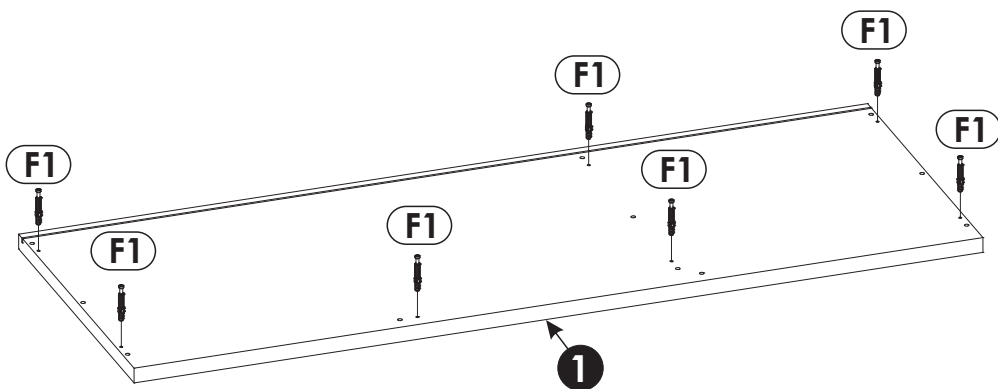
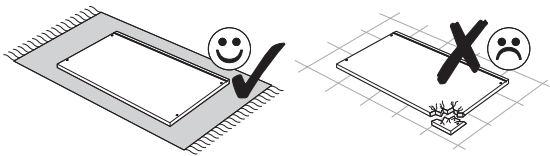
21 ▶



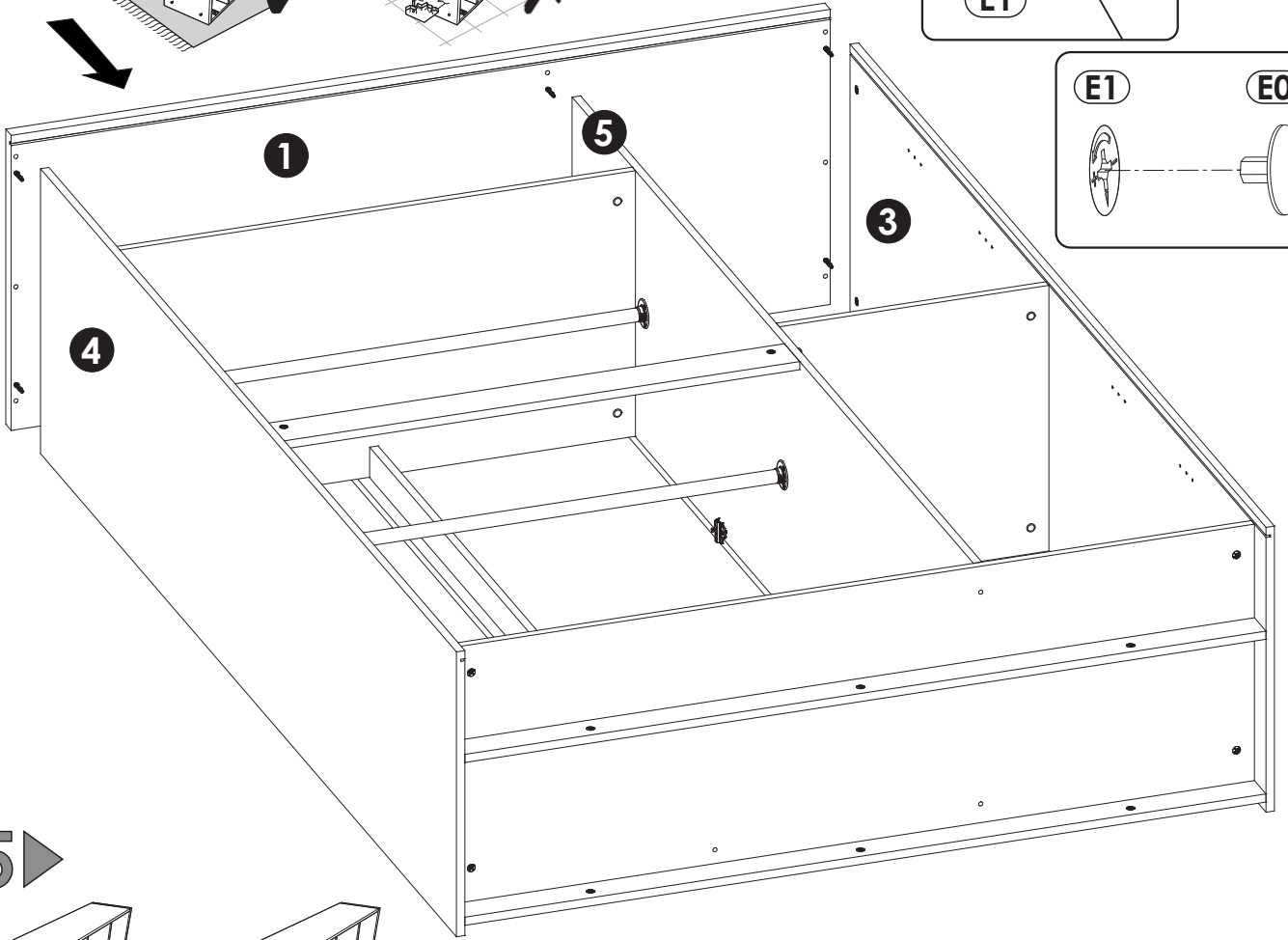
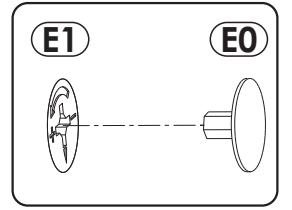
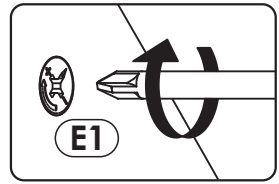
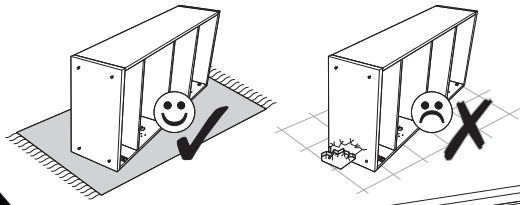
22 ▶



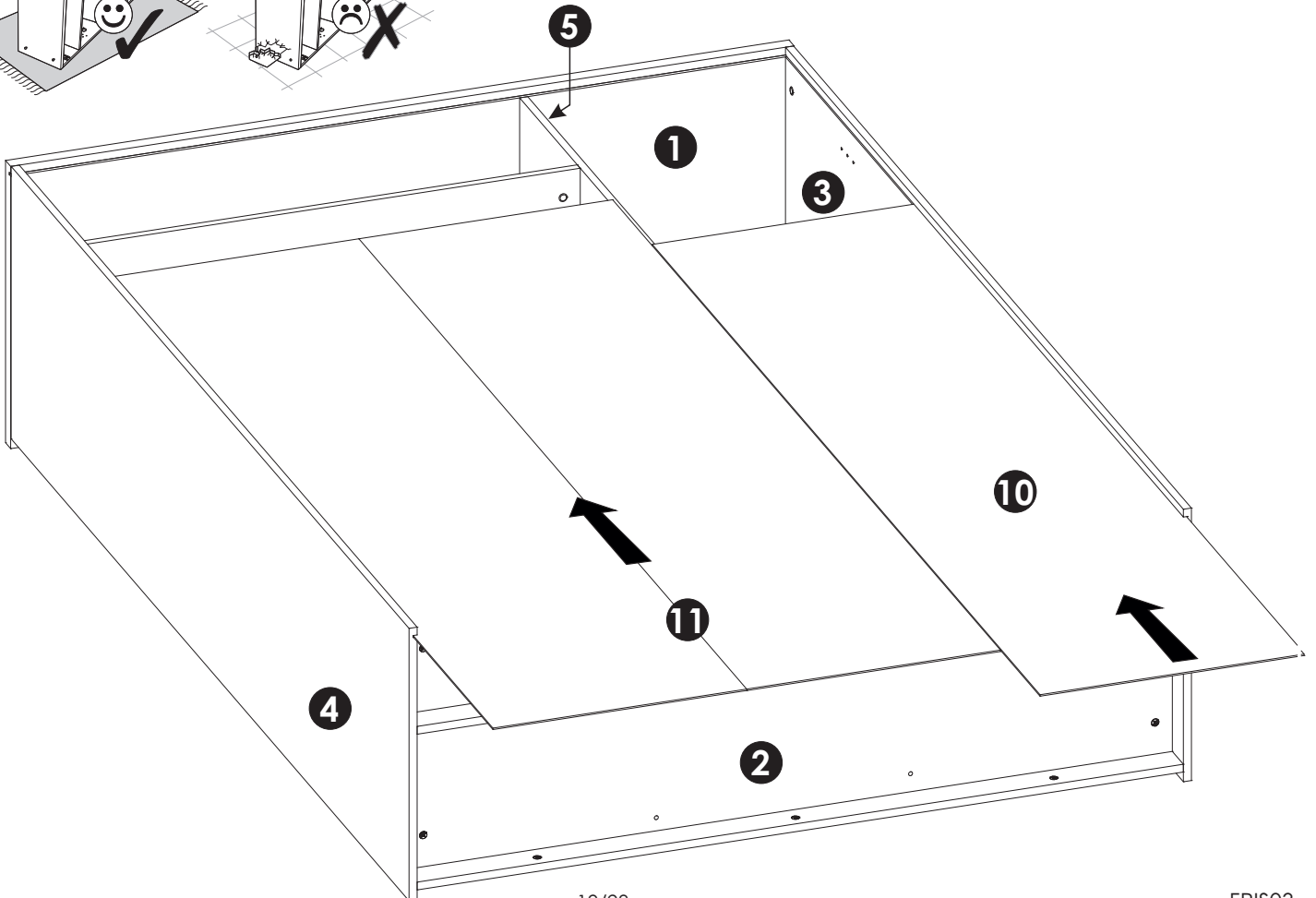
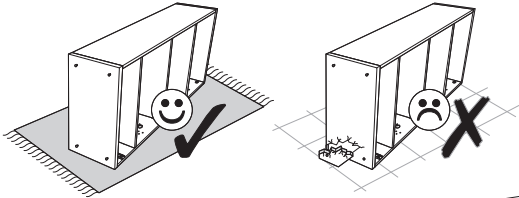
23 ▶



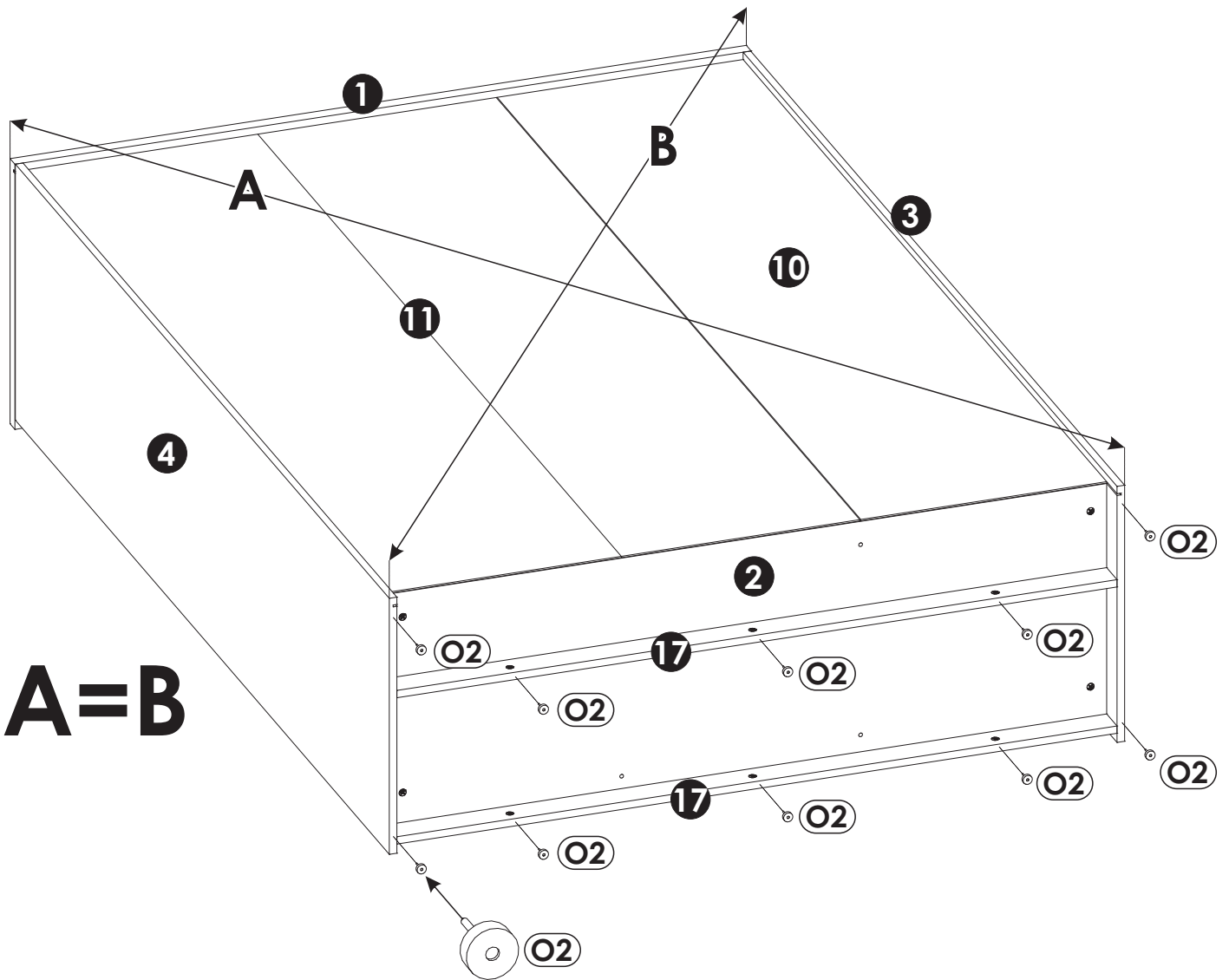
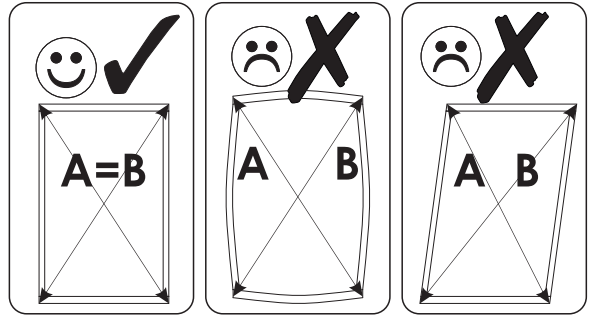
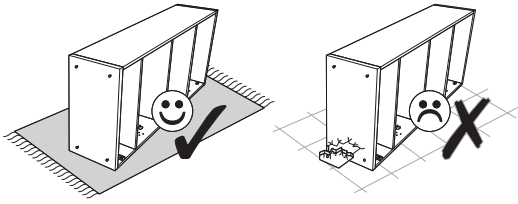
24 ▶



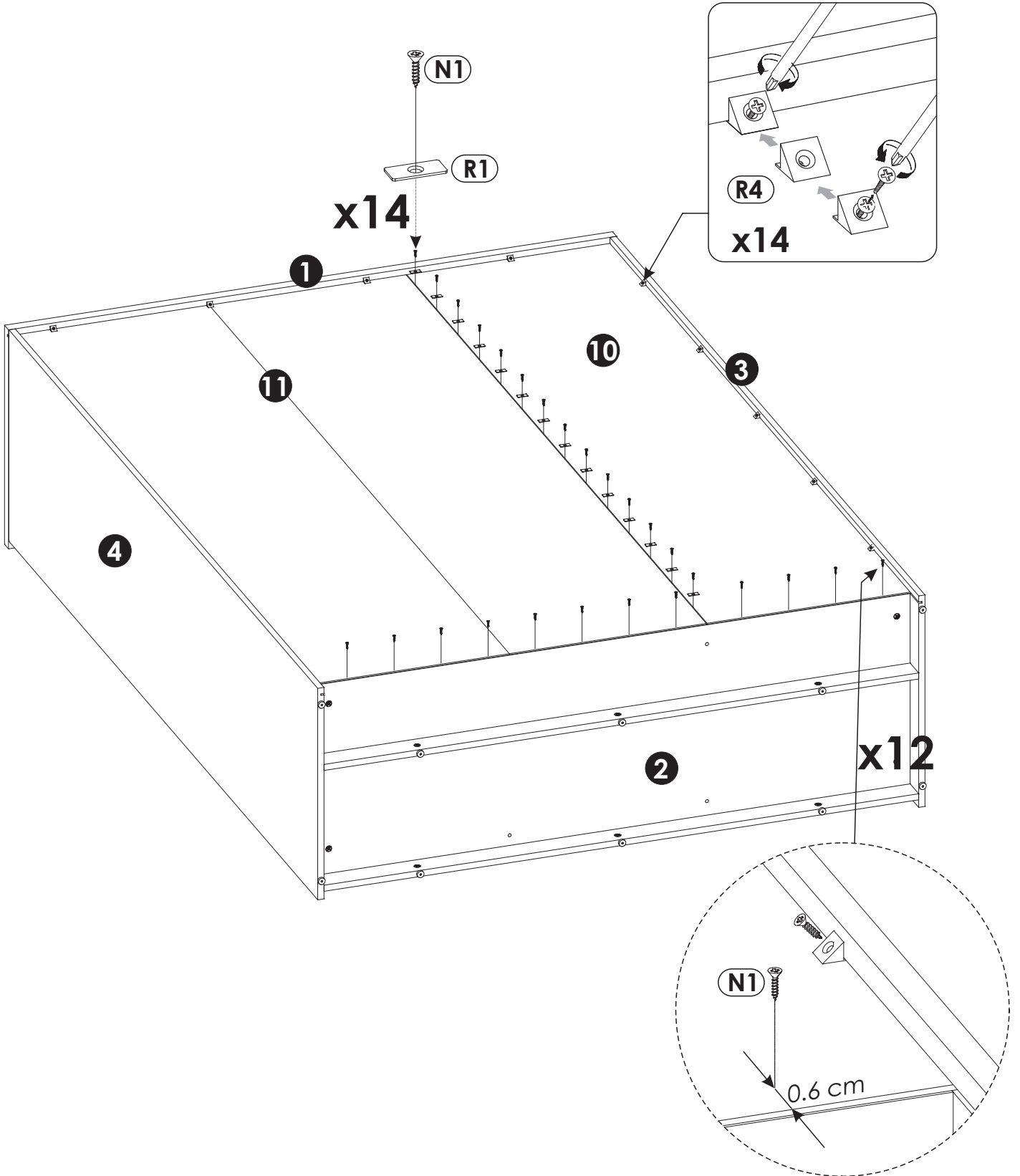
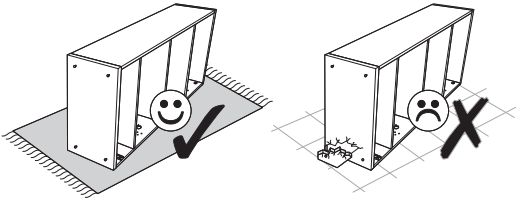
25 ▶



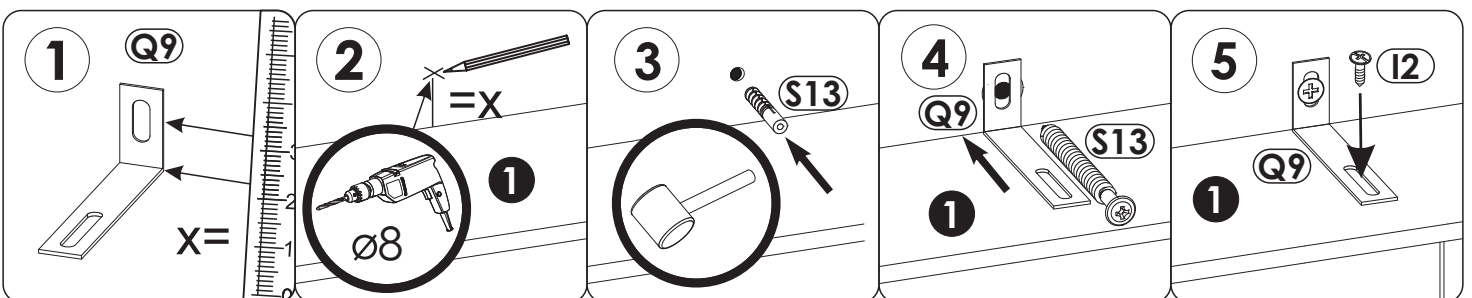
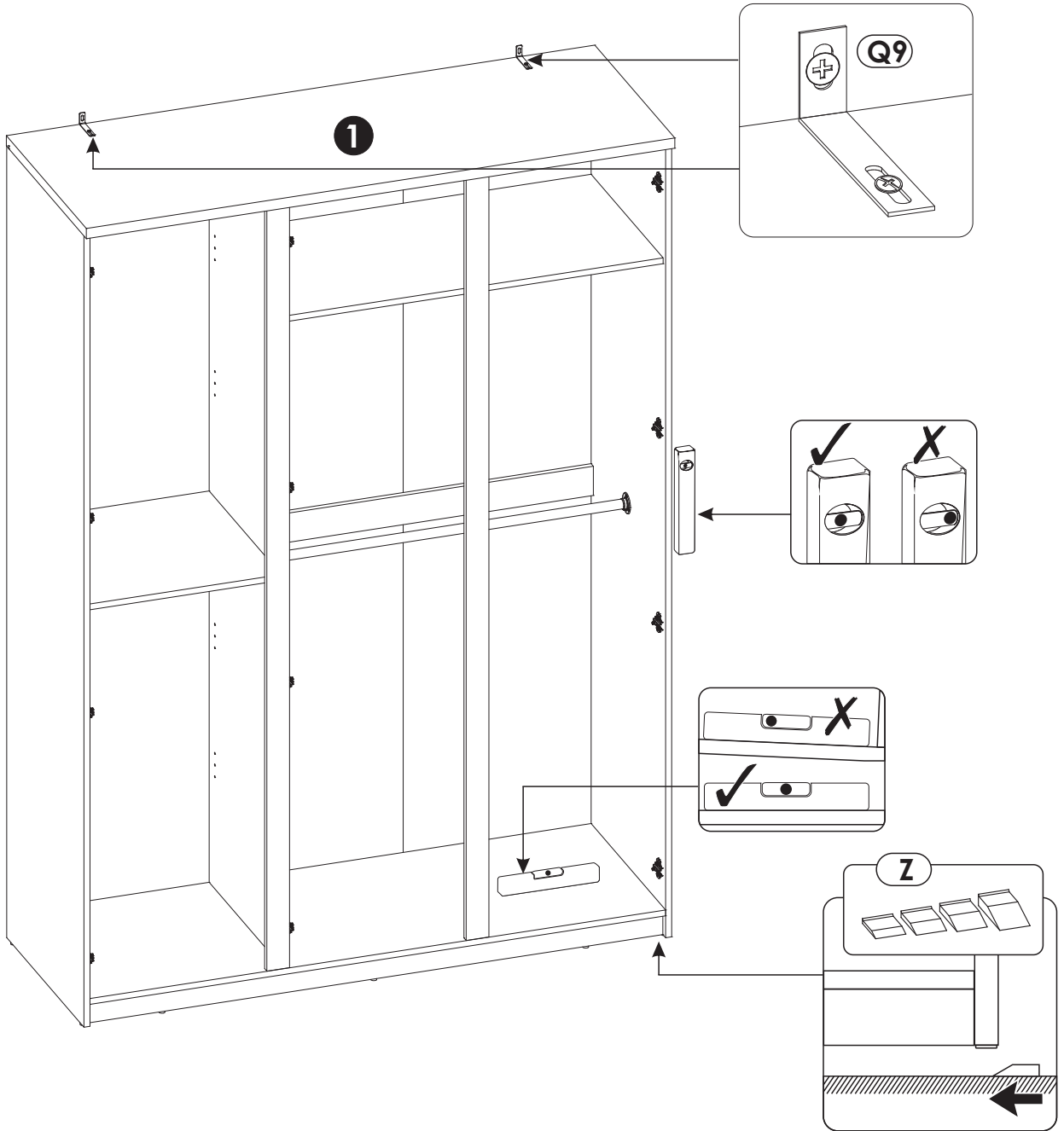
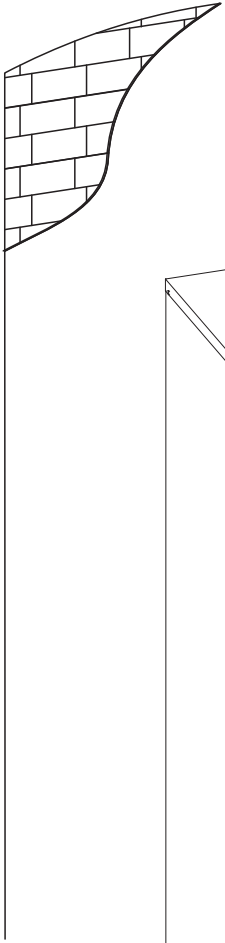
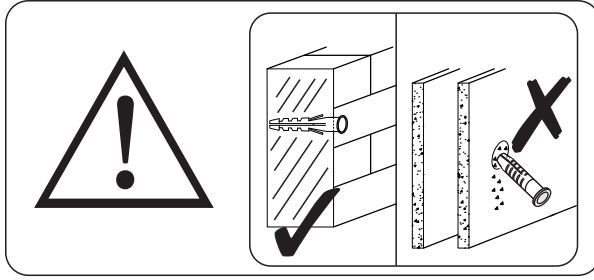
26 ▶

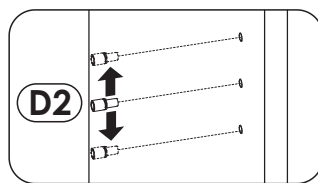
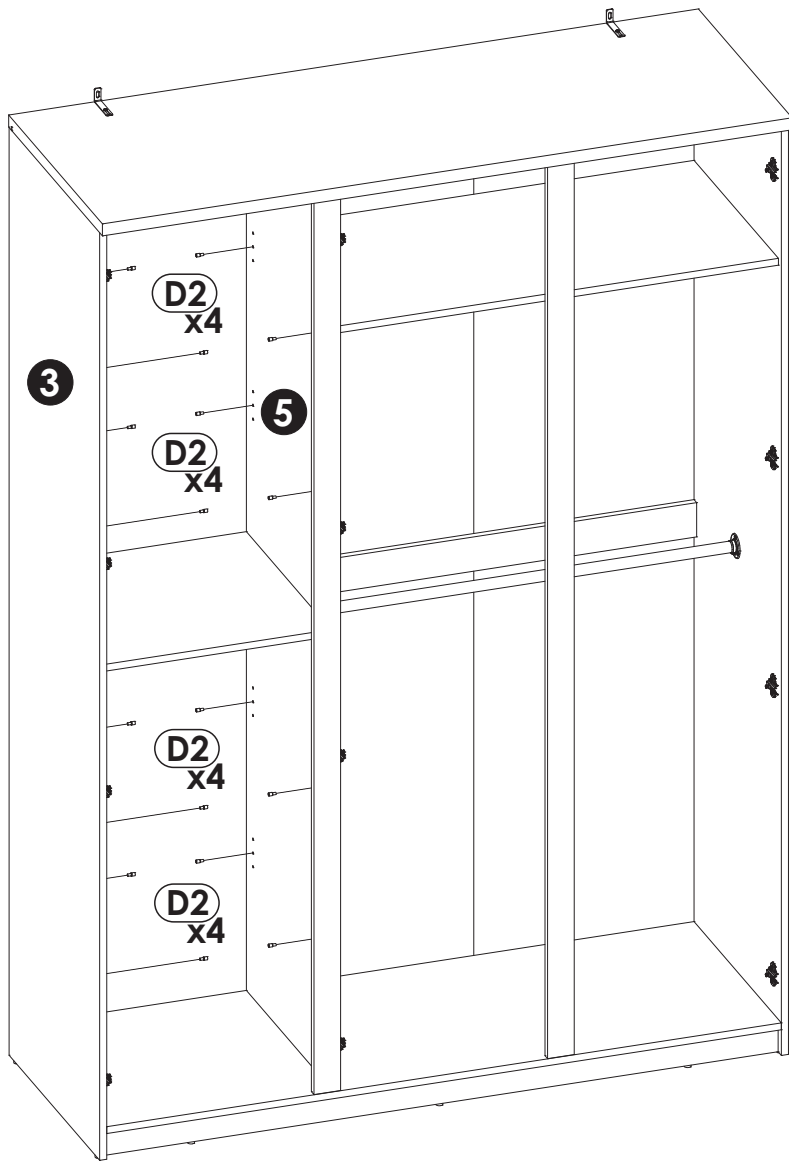


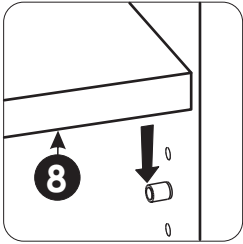
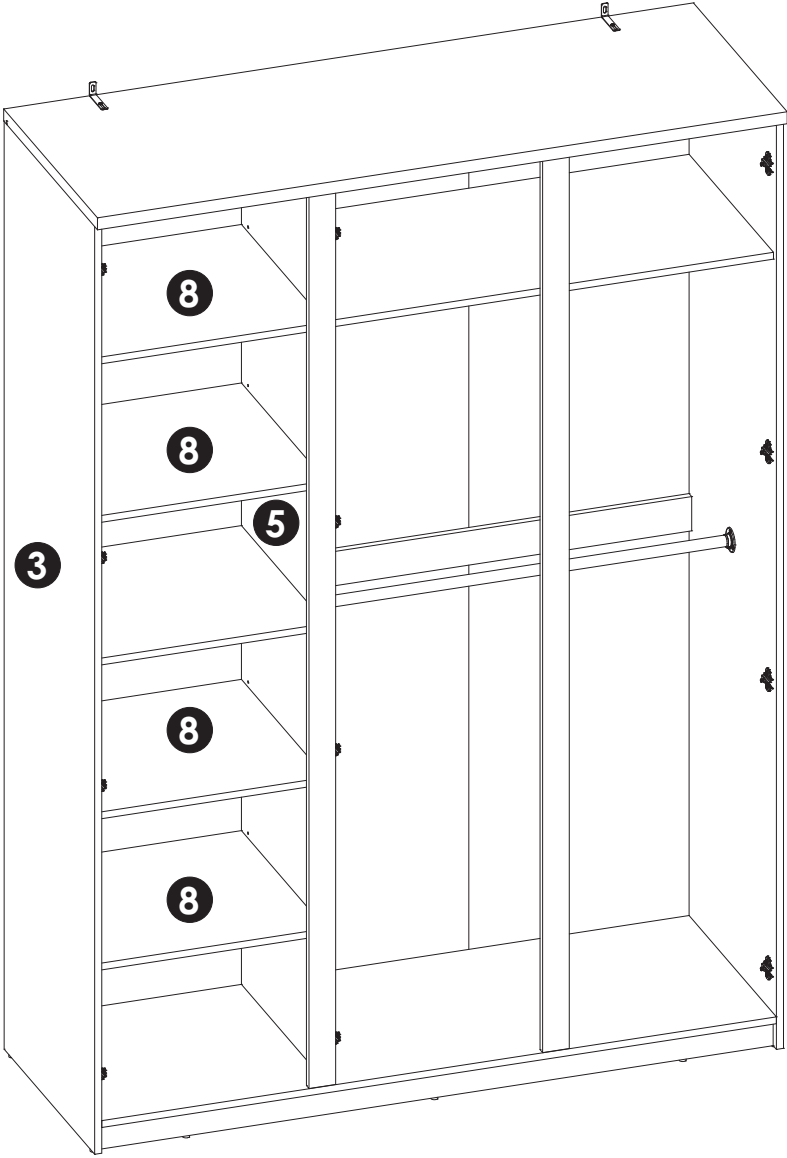
27▶



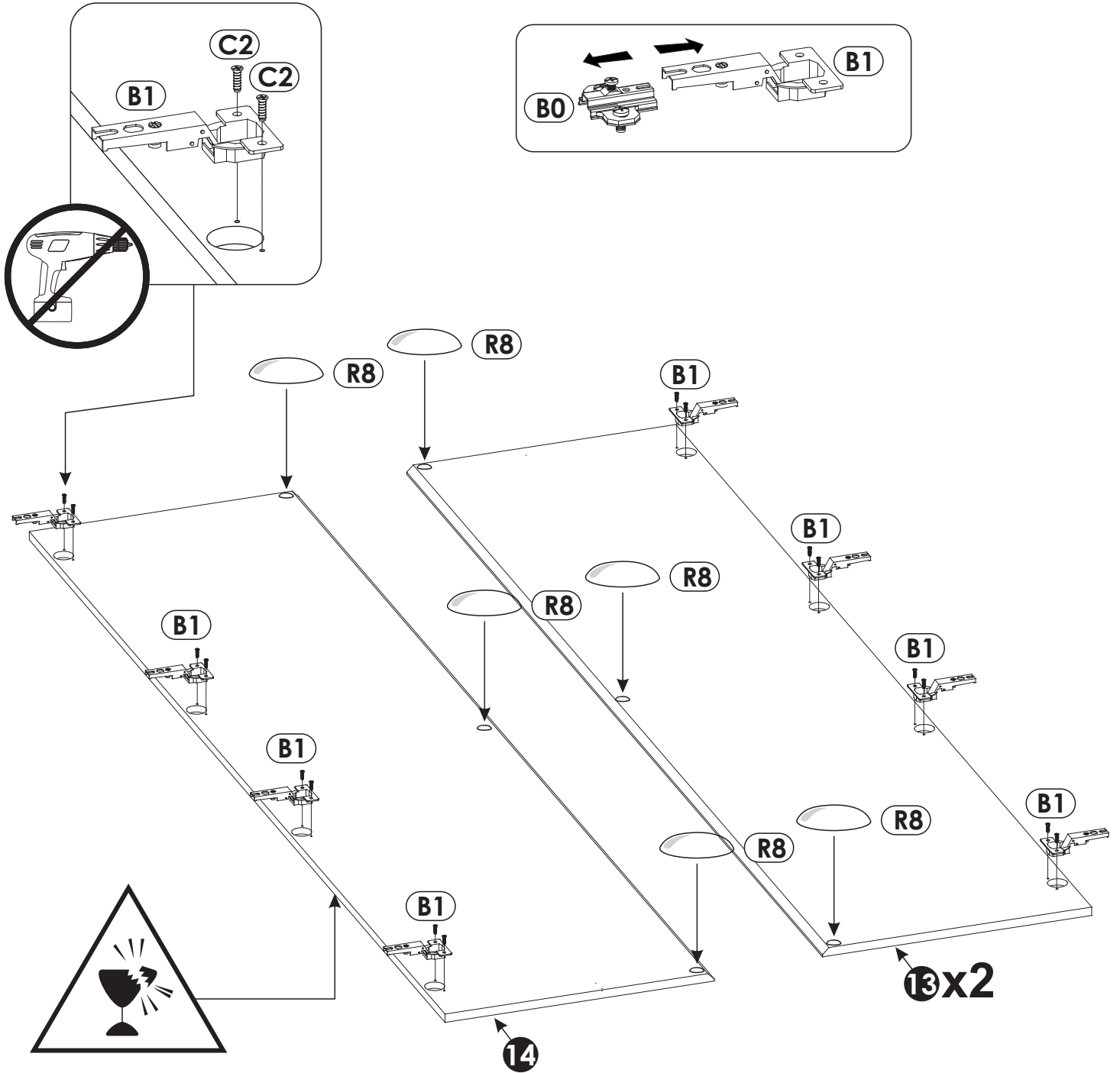
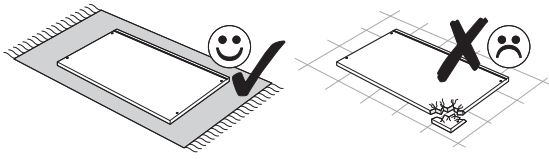
28 ▶



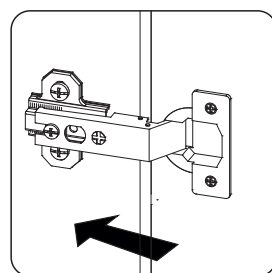
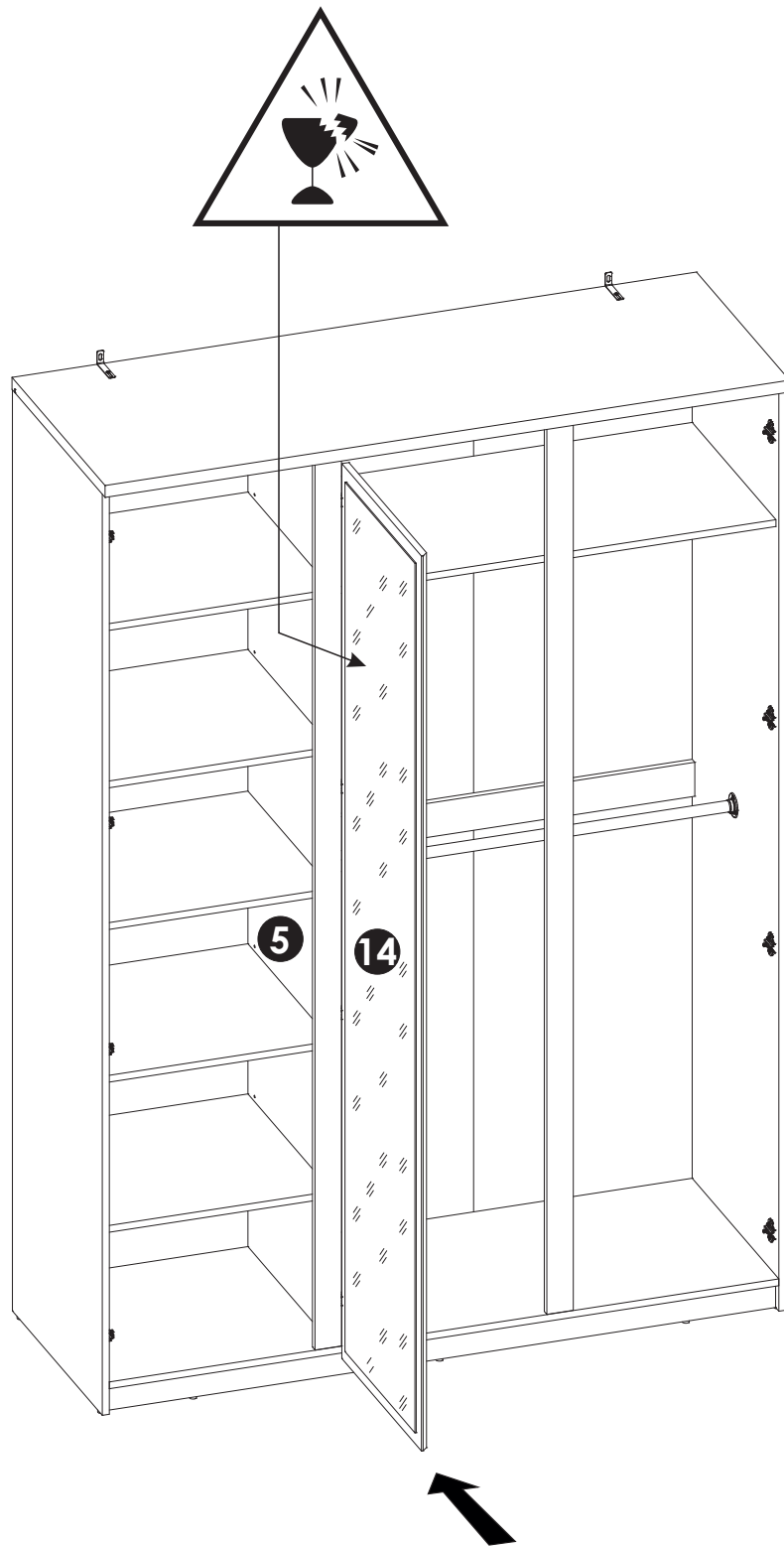




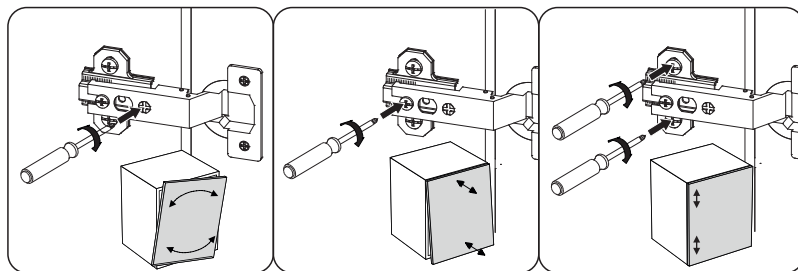
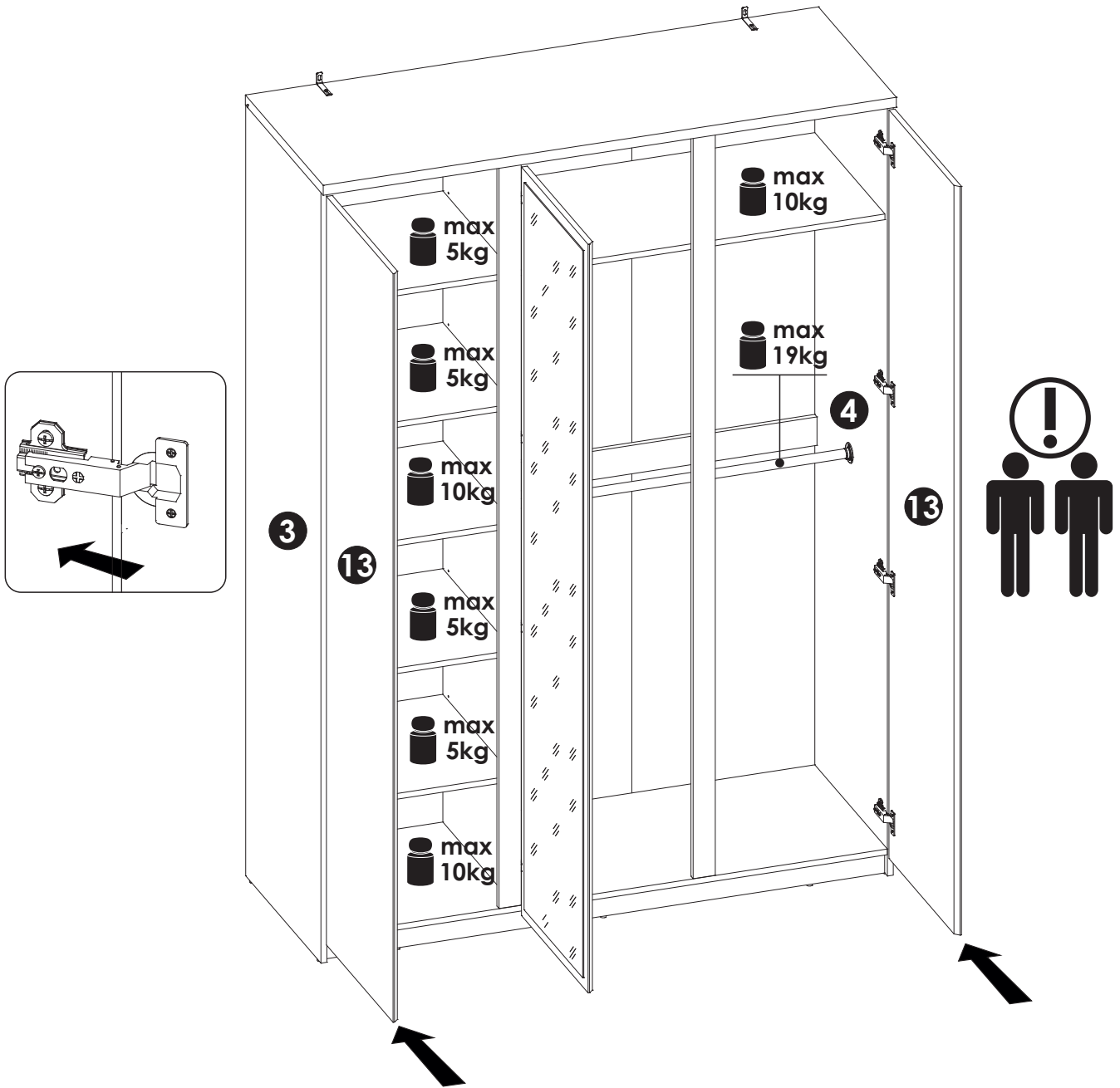
31 ▶

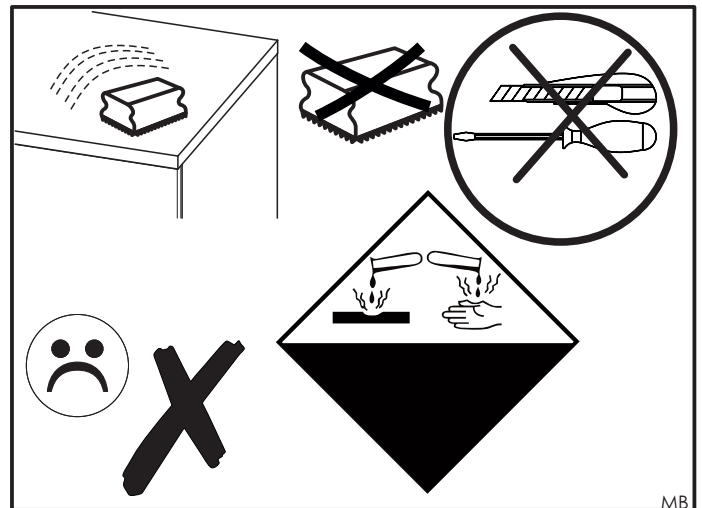
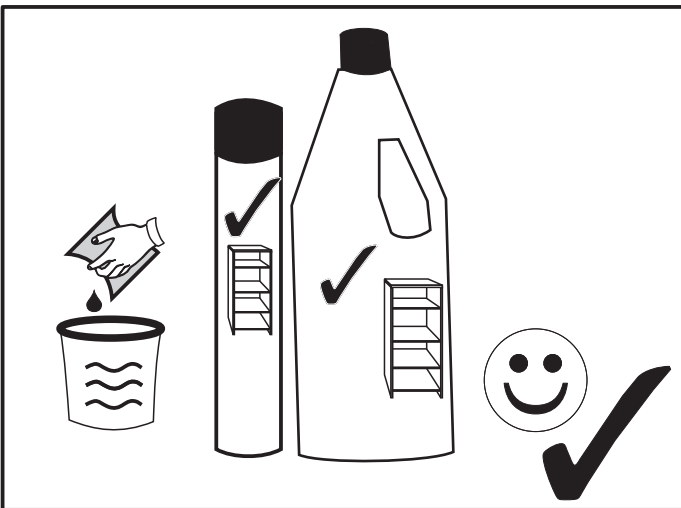
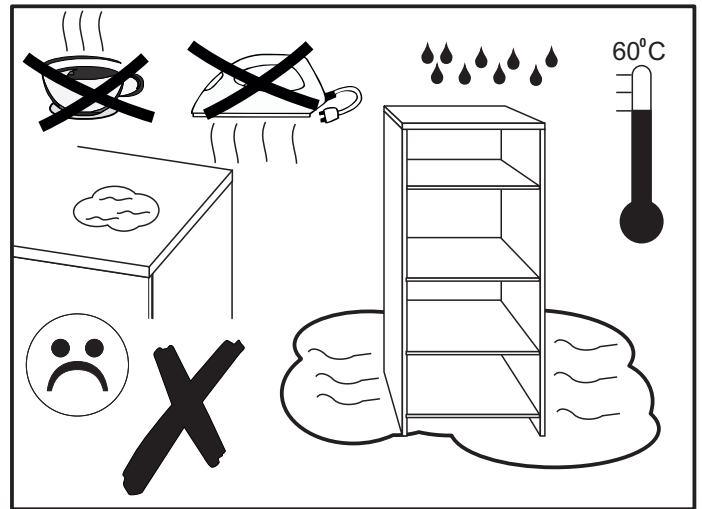
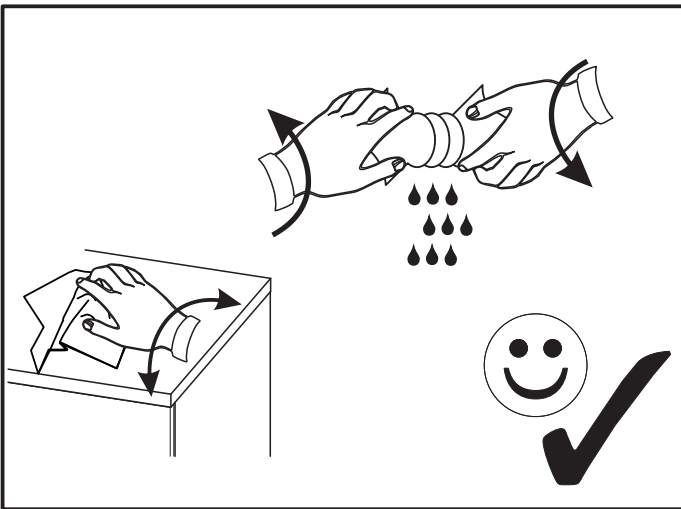
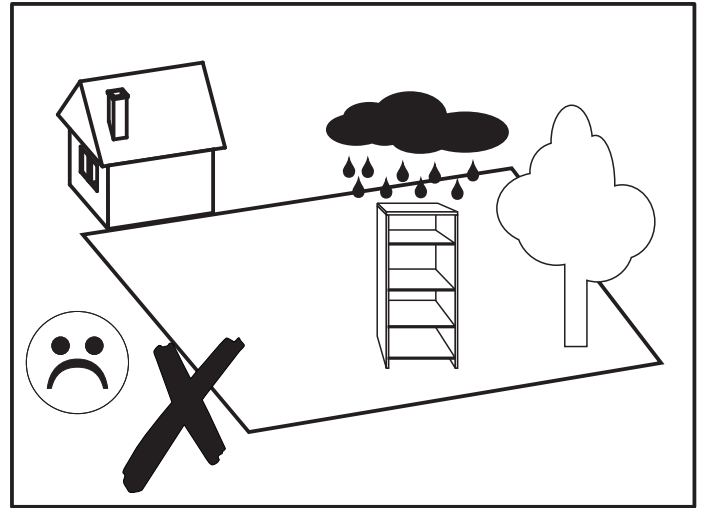
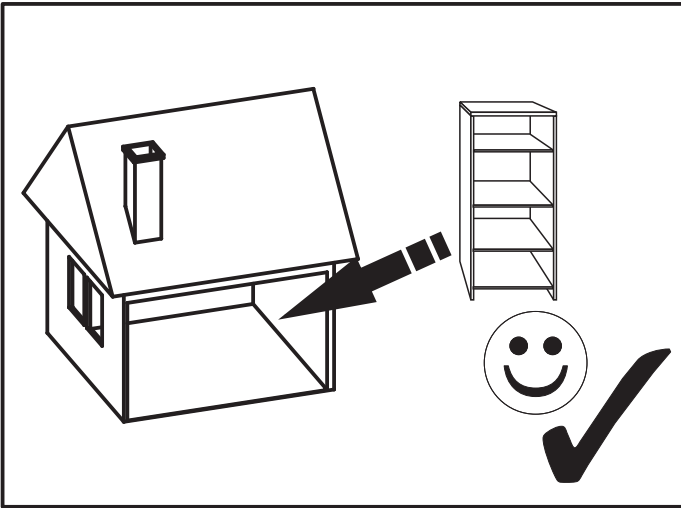


32 ▶



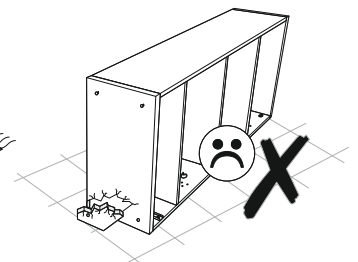
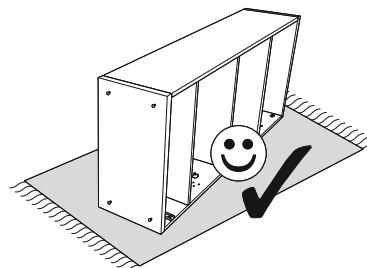
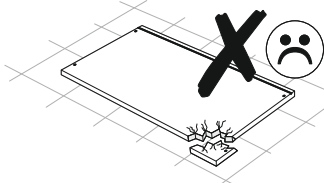
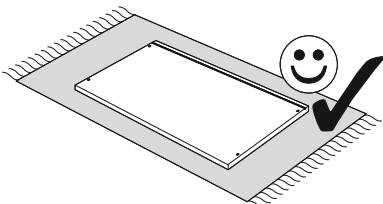
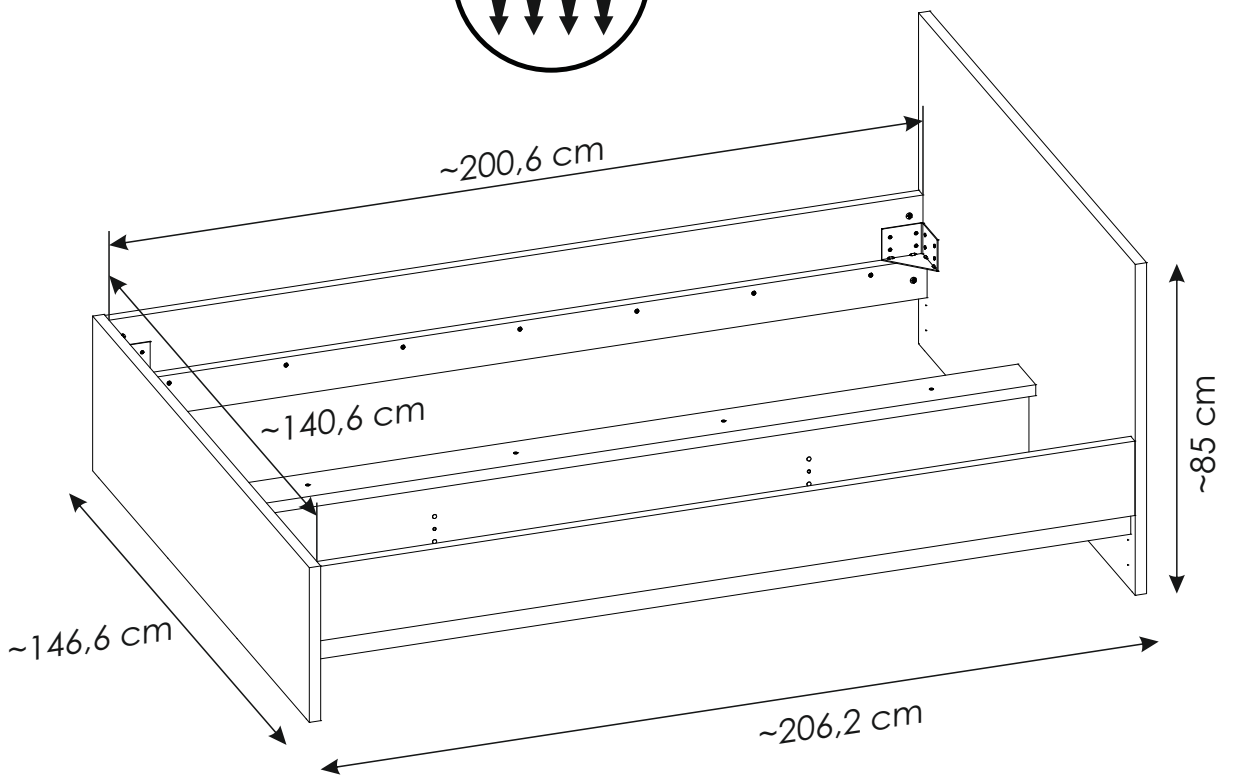
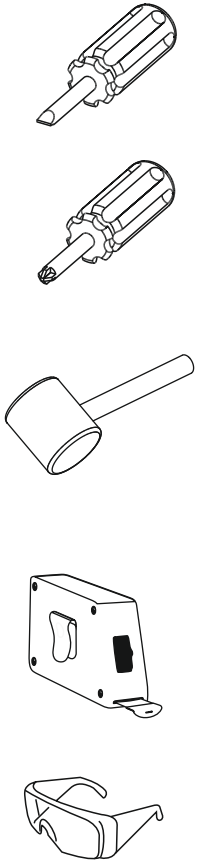
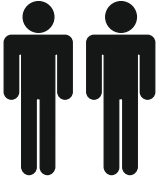
33 ▶

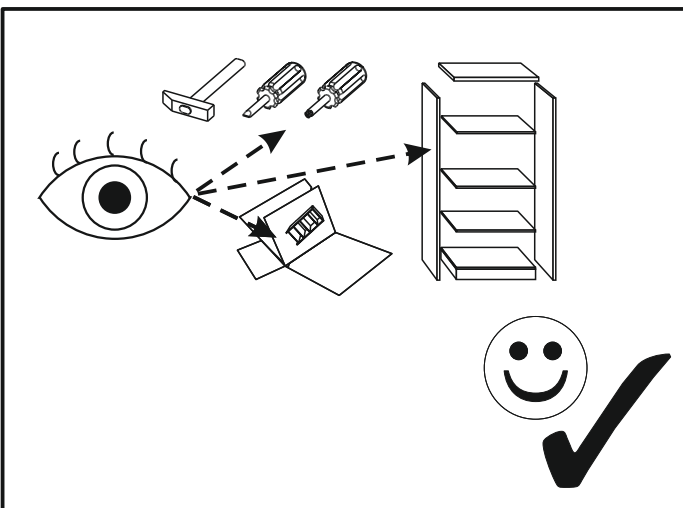


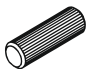


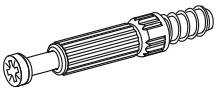

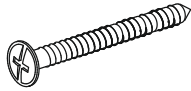
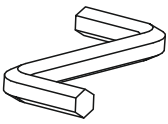
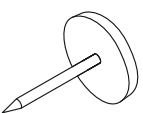
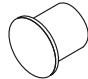
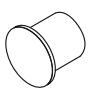
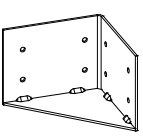


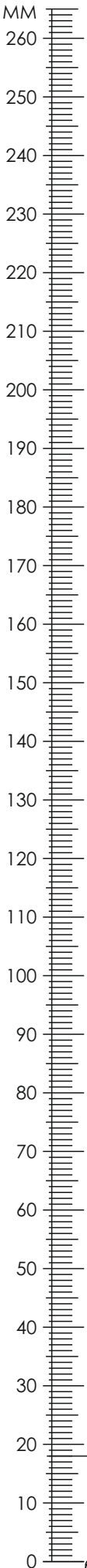


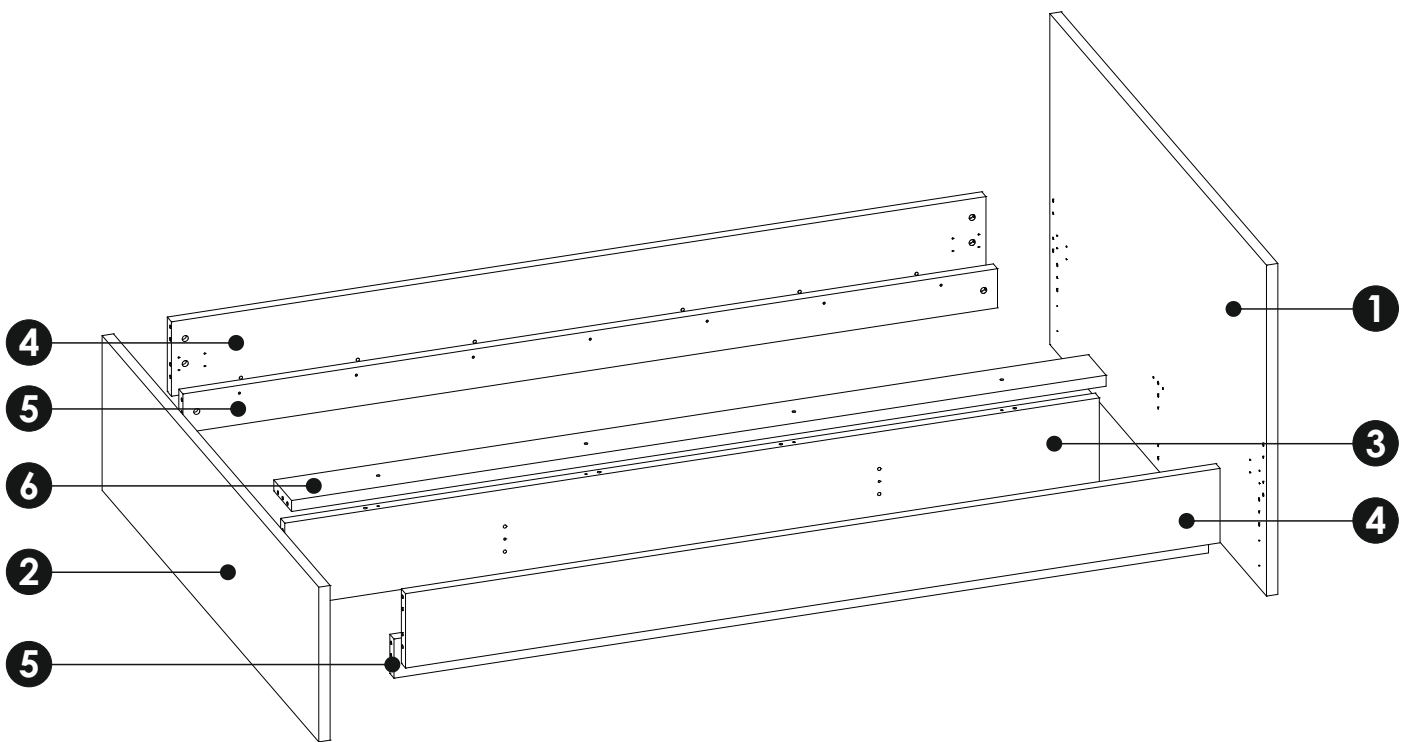
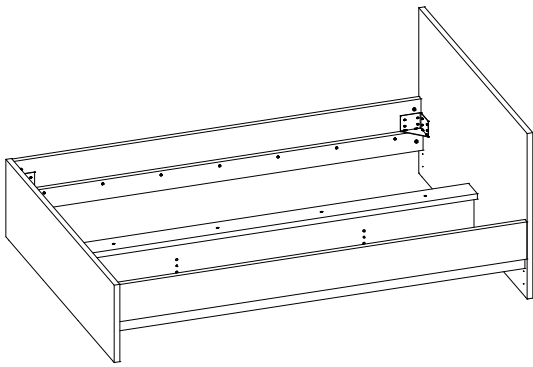
70 min





A1 8 x 35 mm x38 	C2 5 x 13 mm x32 	E1 15 x 12 mm x20 
F1 6 x 34 mm x20 	G2 7 x 60 mm x4 	I15 4 x 50 mm x14 
M x1 	O2 x12 	P0 x4  Ø5
P2 x8  Ø8	W x4 	

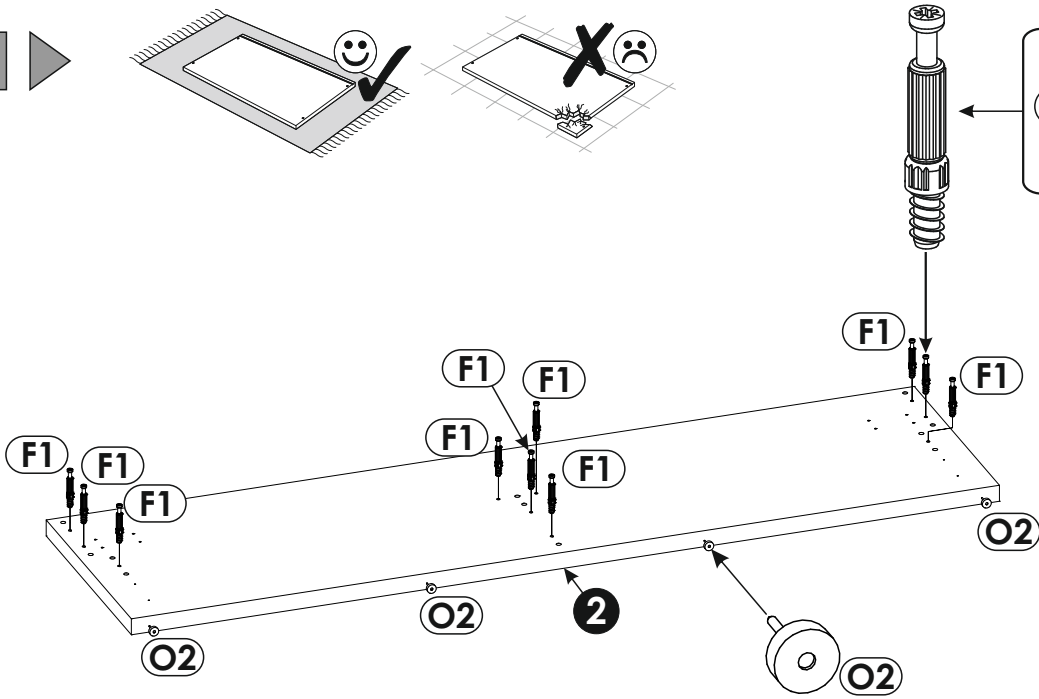
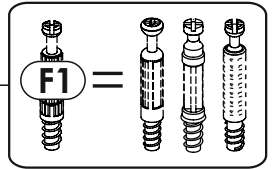
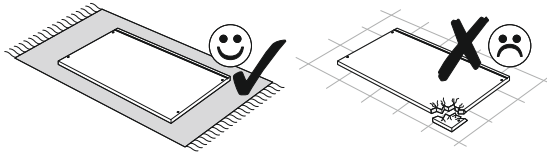




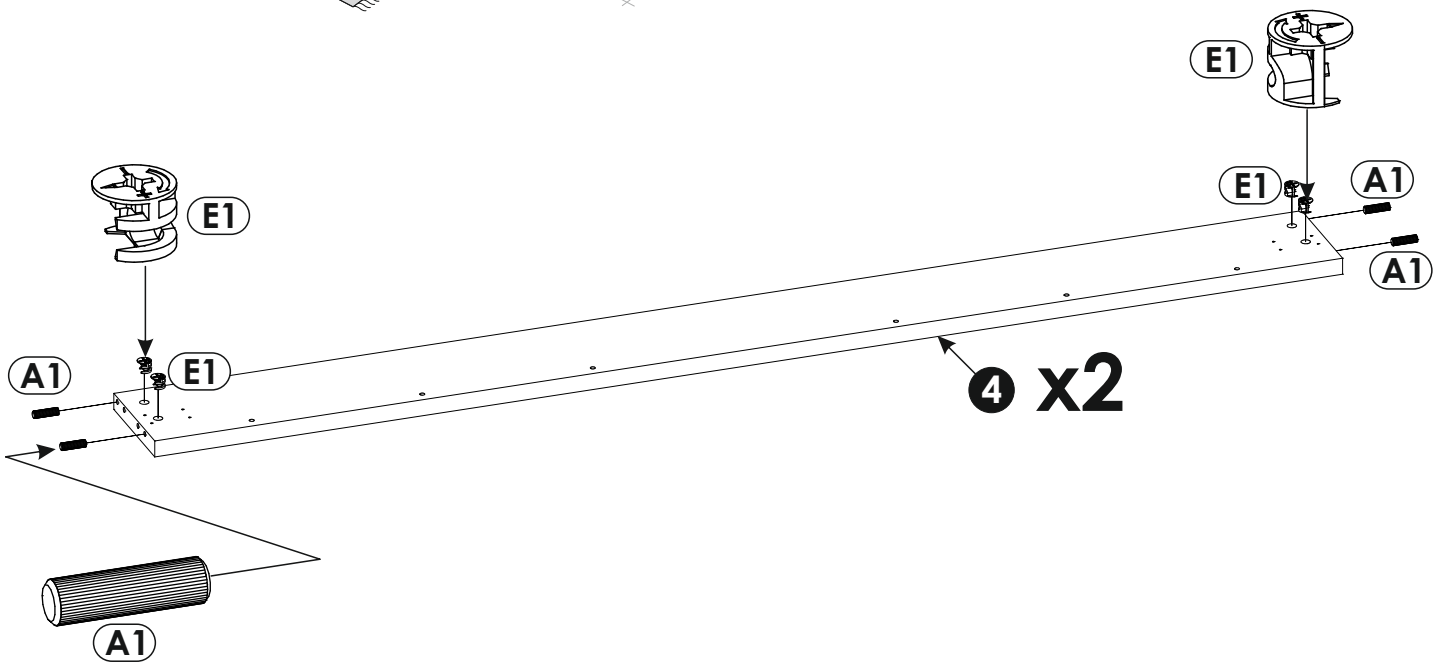
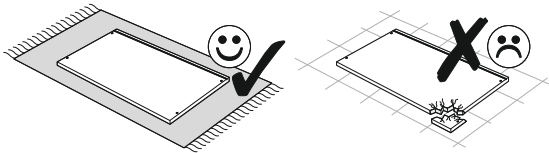
1	1466	845	28	x1	3/3
2	1466	395	28	x1	2/3
3	215	2006	28	x1	2/3
4	2006	190	28	x2	1/3
5	100	2006	28	x2	1/3
6	120	2006	28	x1	2/3



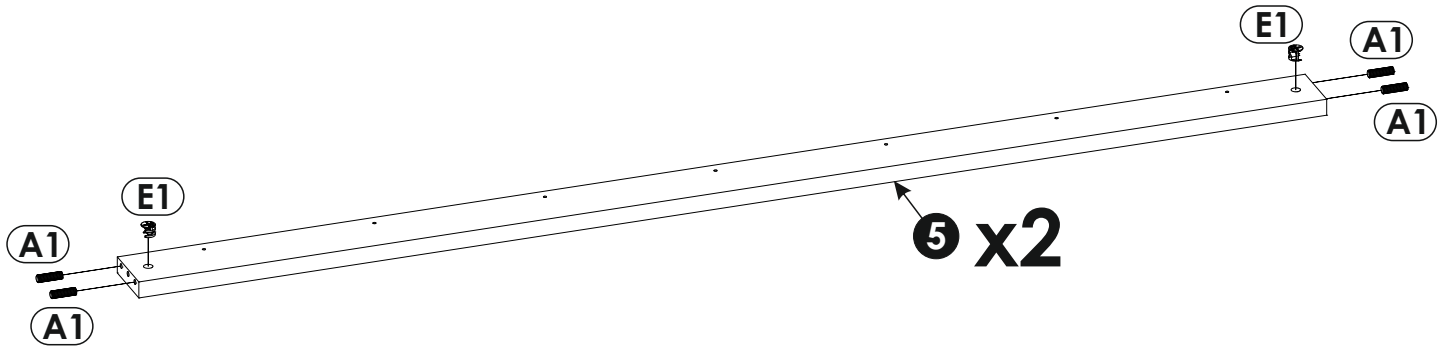
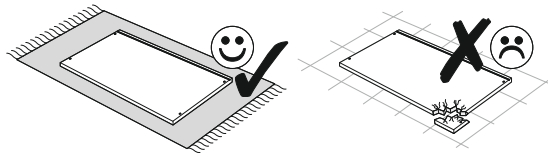
1 ▶



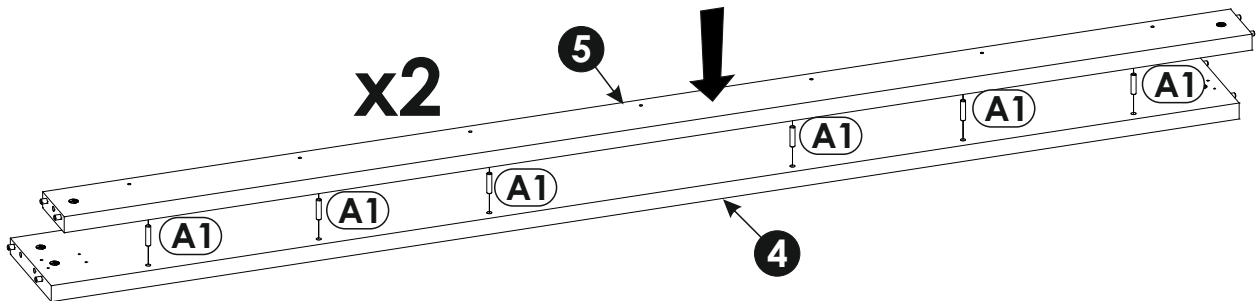
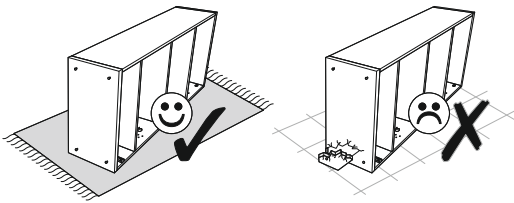
2 ▶

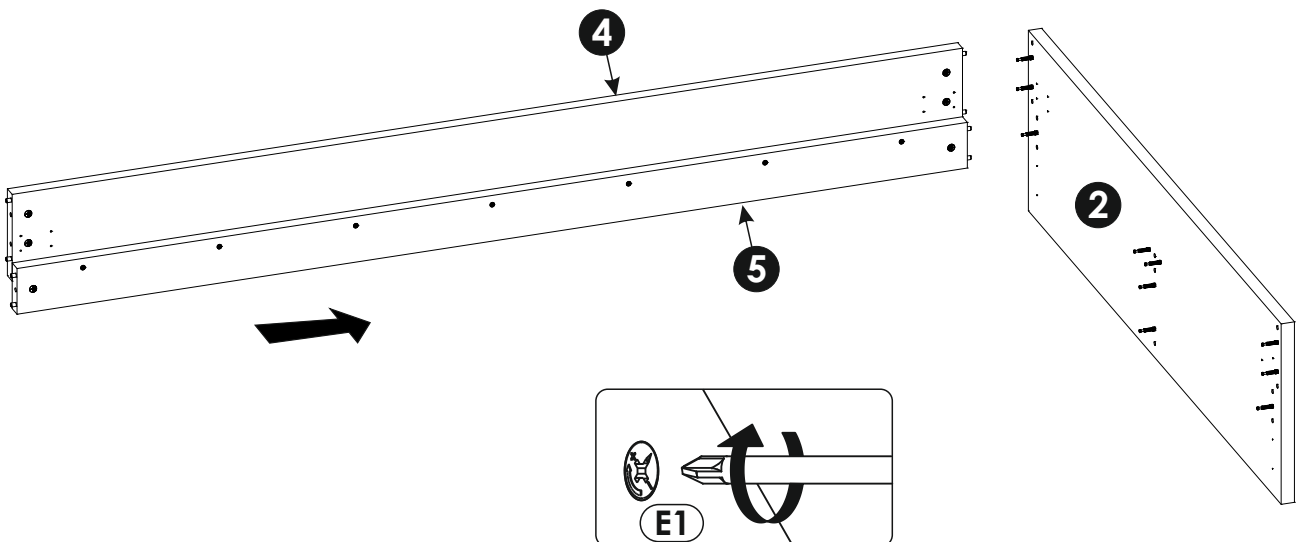
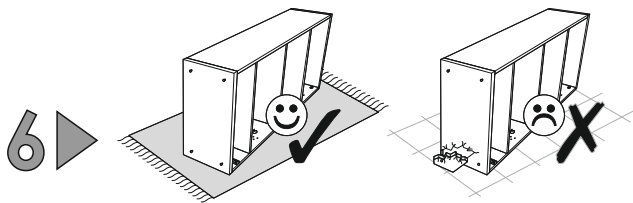
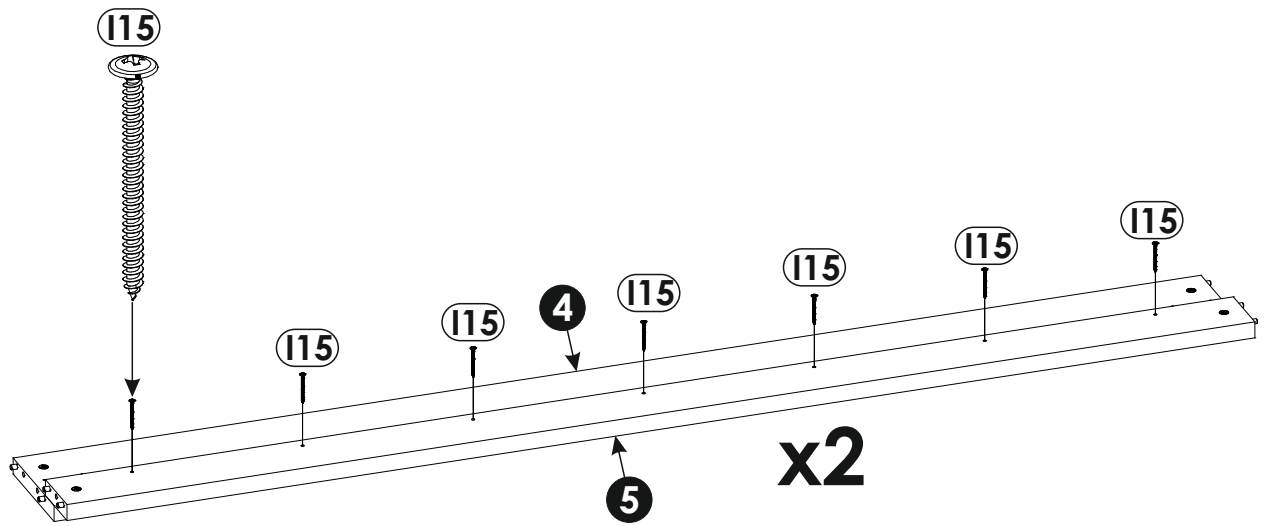
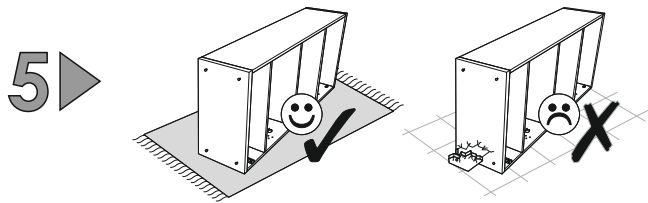


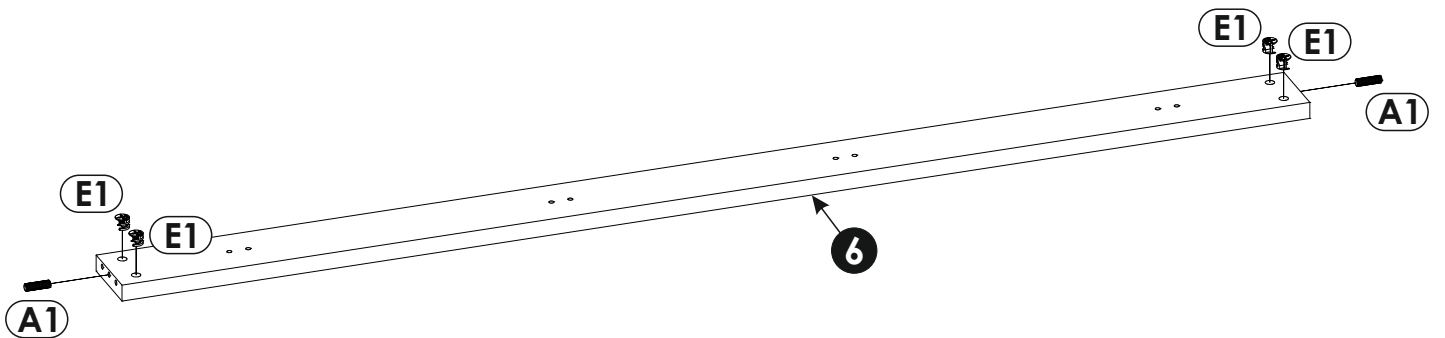
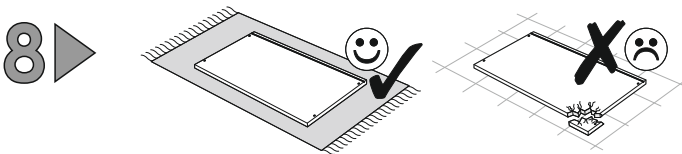
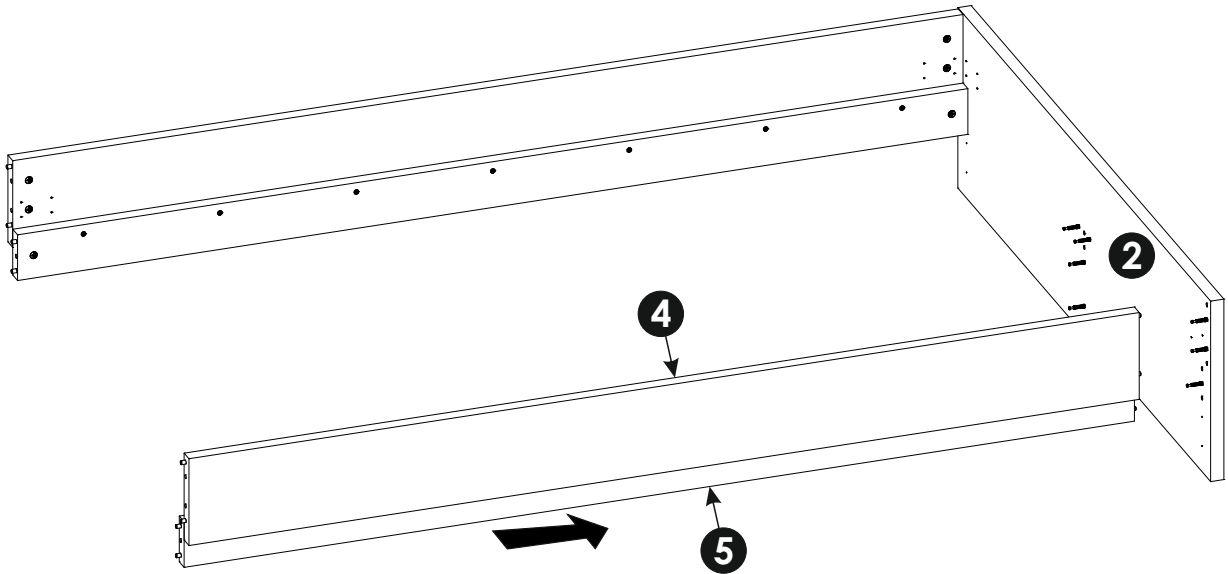
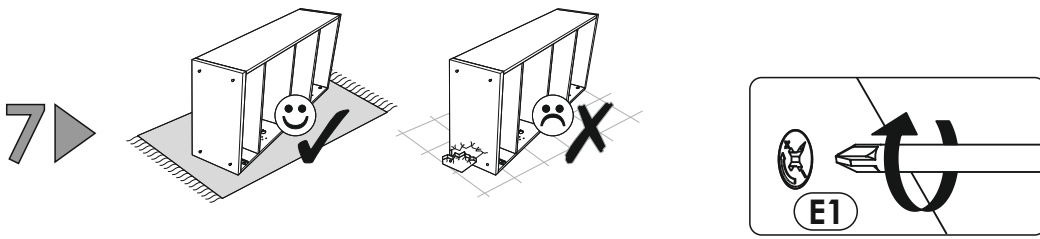
3 ▶

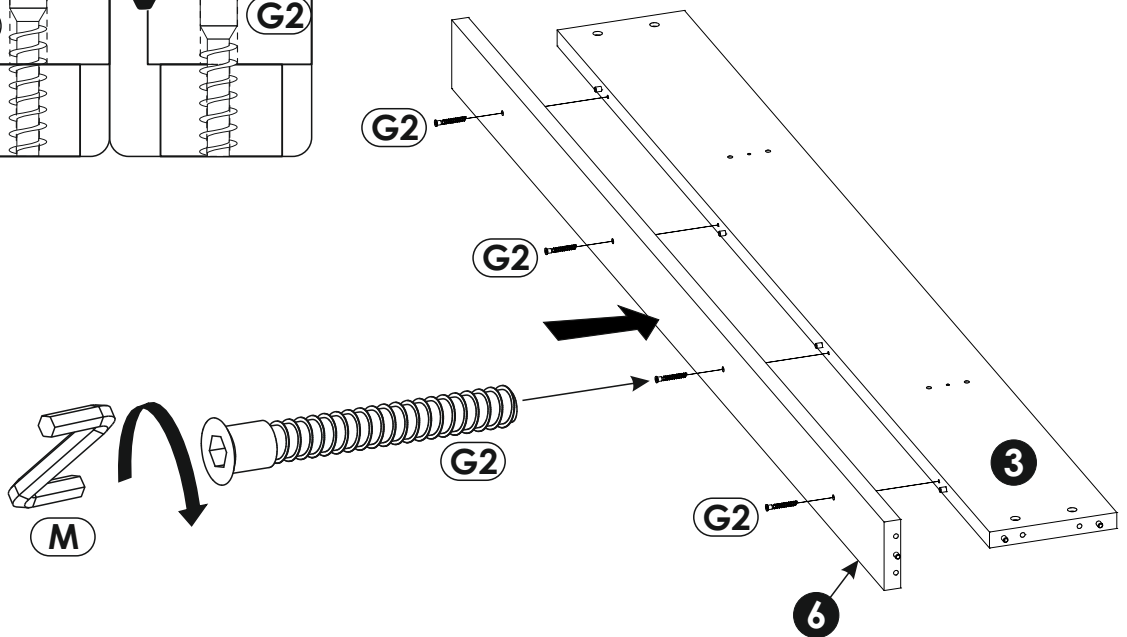
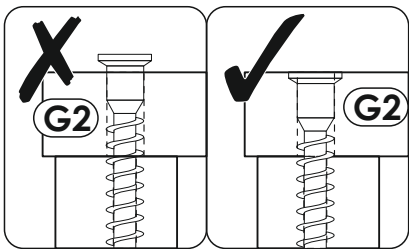
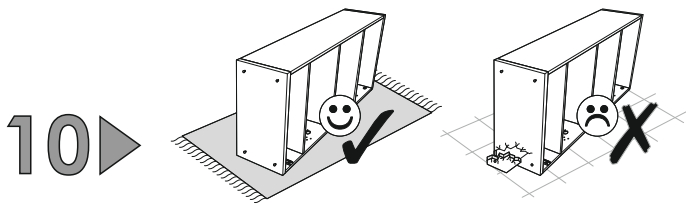
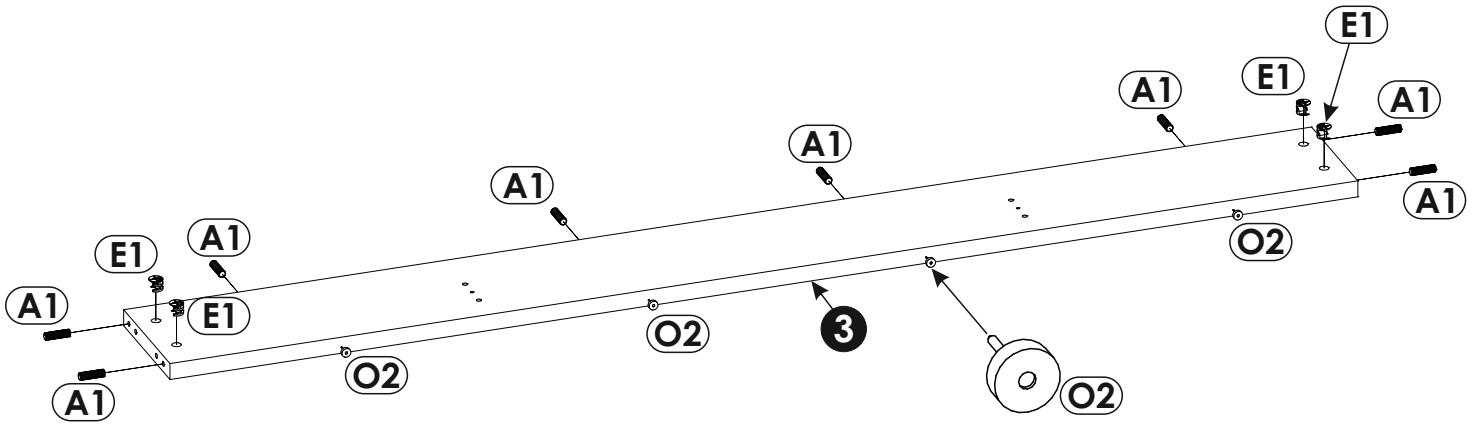
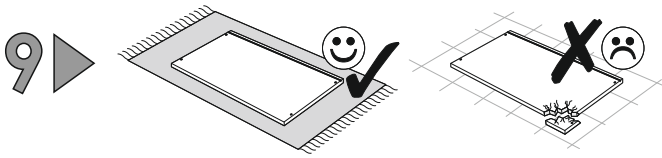


4 ▶

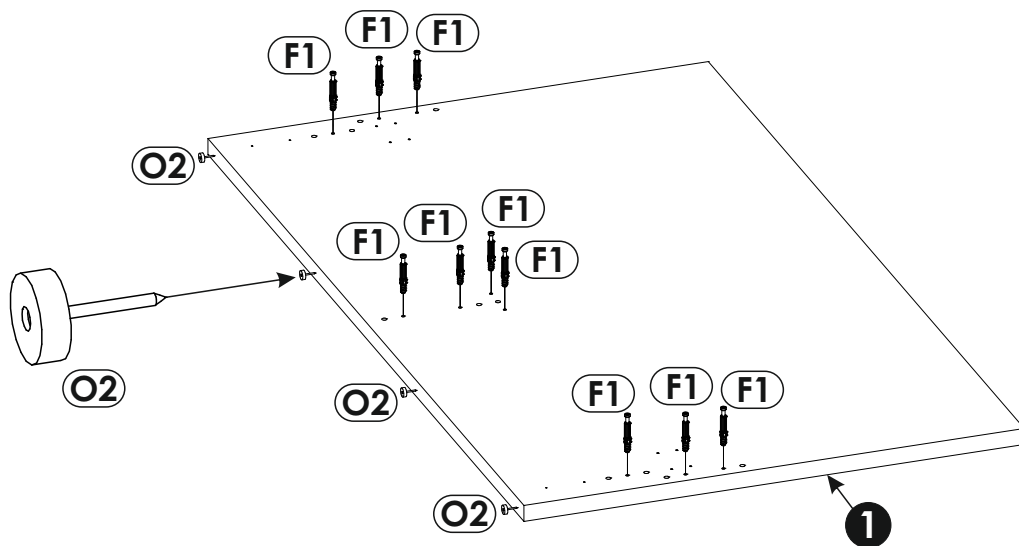
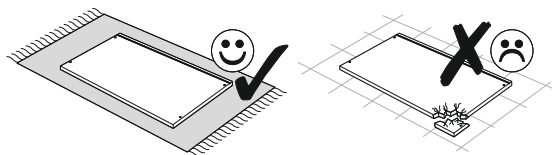




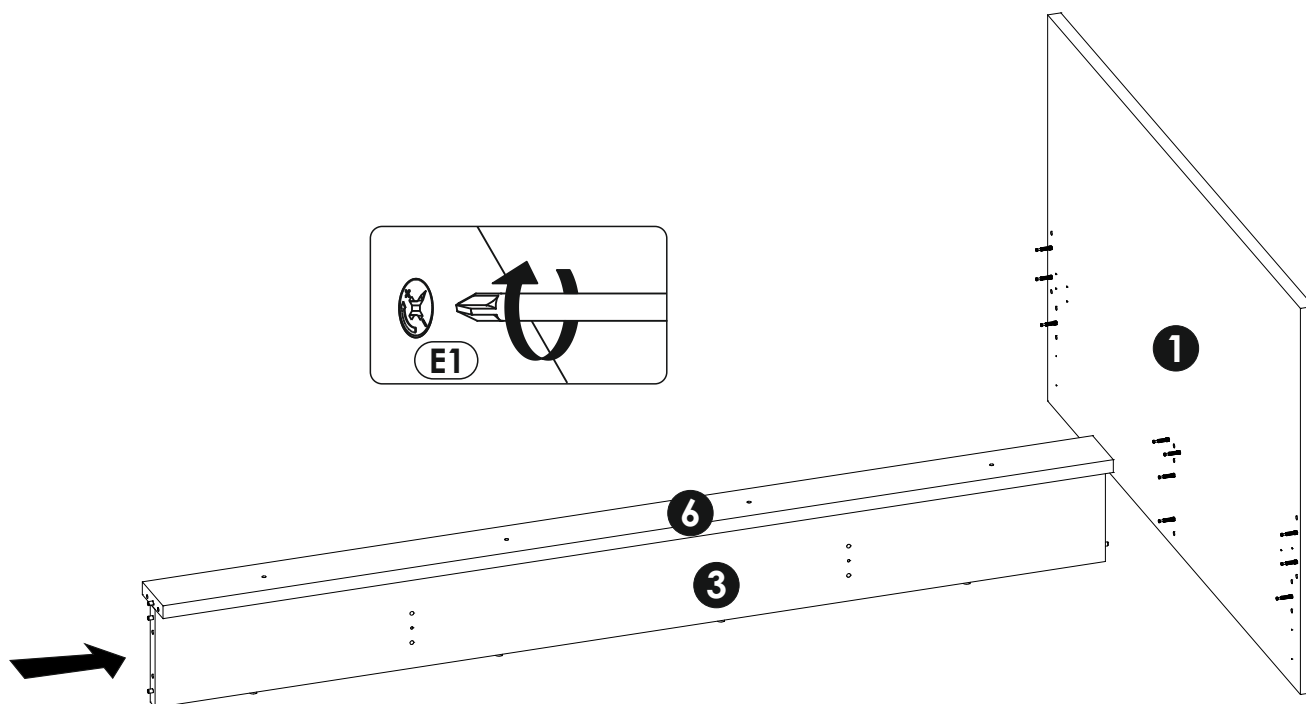
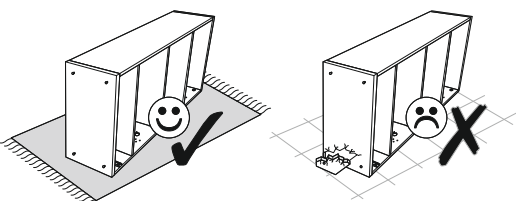




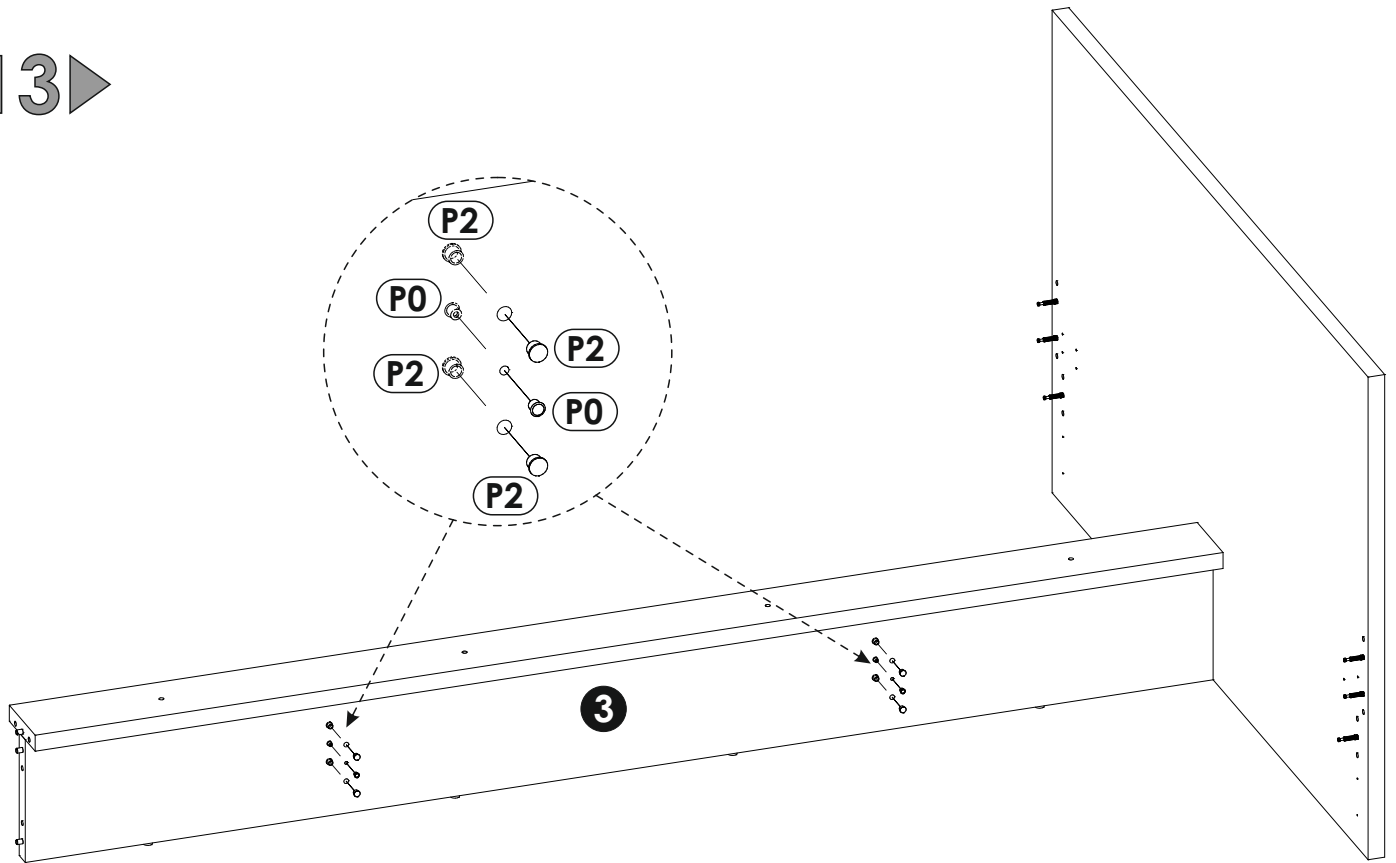
11 ▶



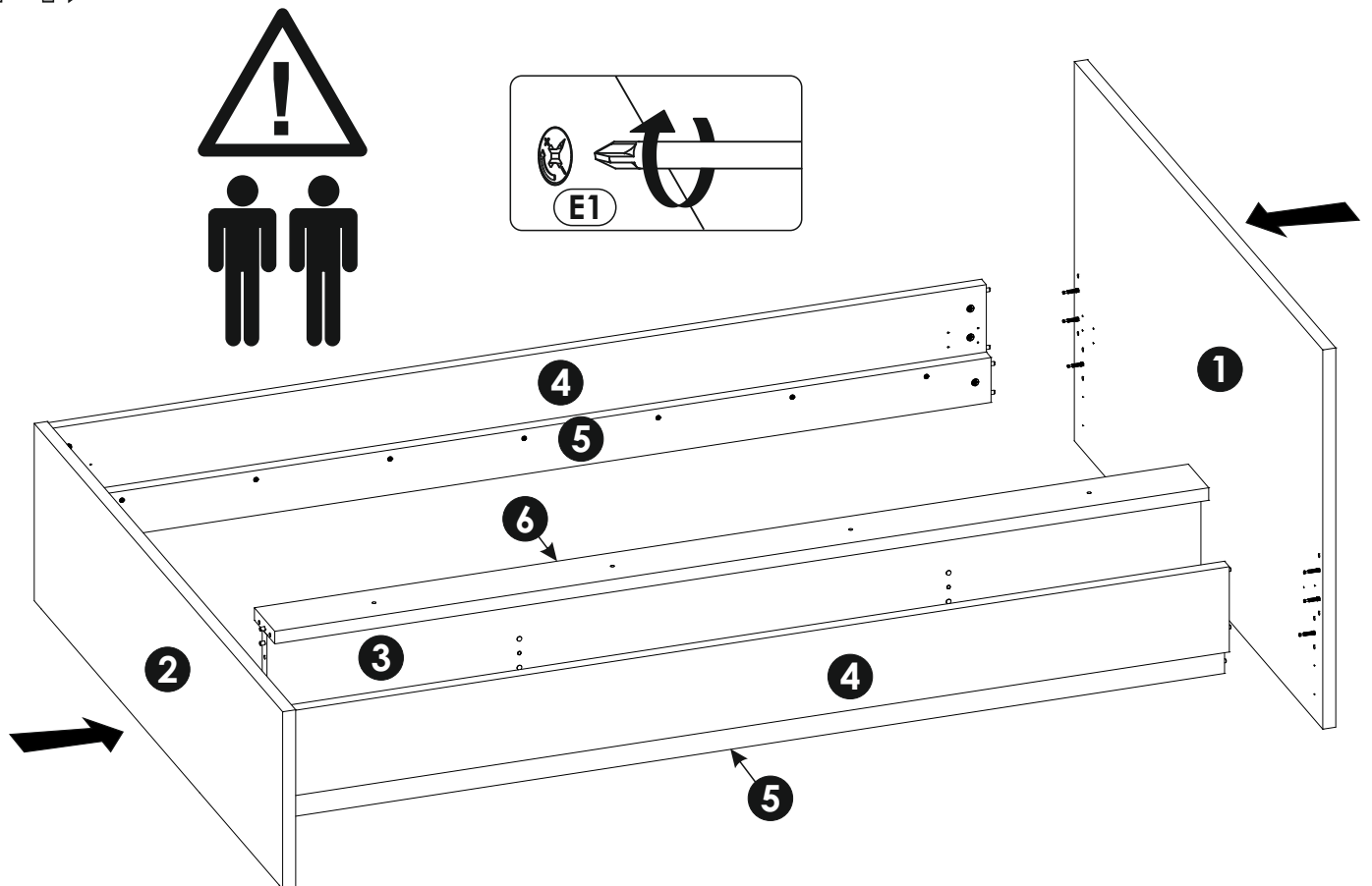
12 ▶



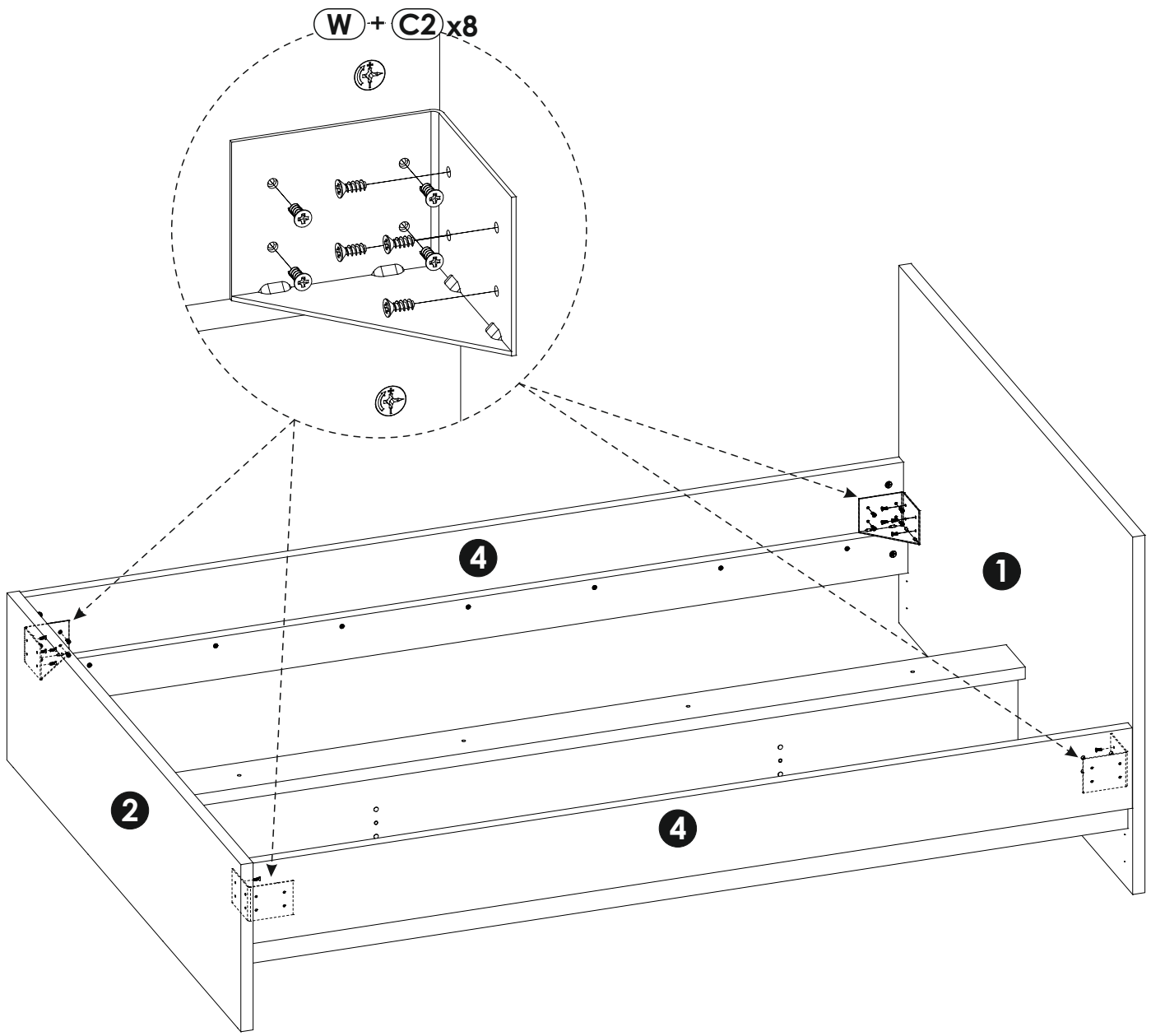
13 ▶

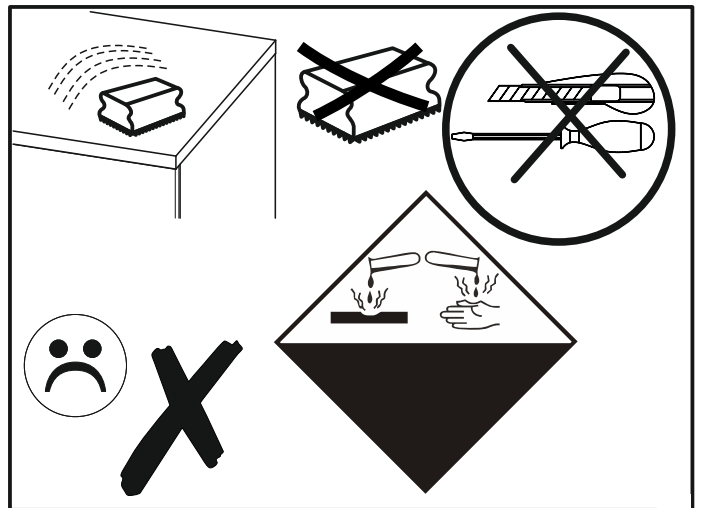


14 ▶



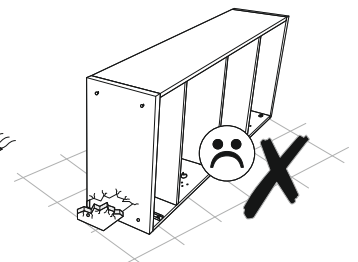
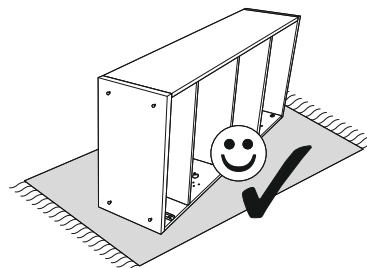
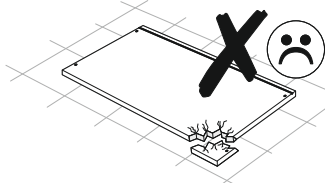
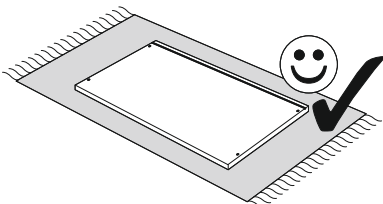
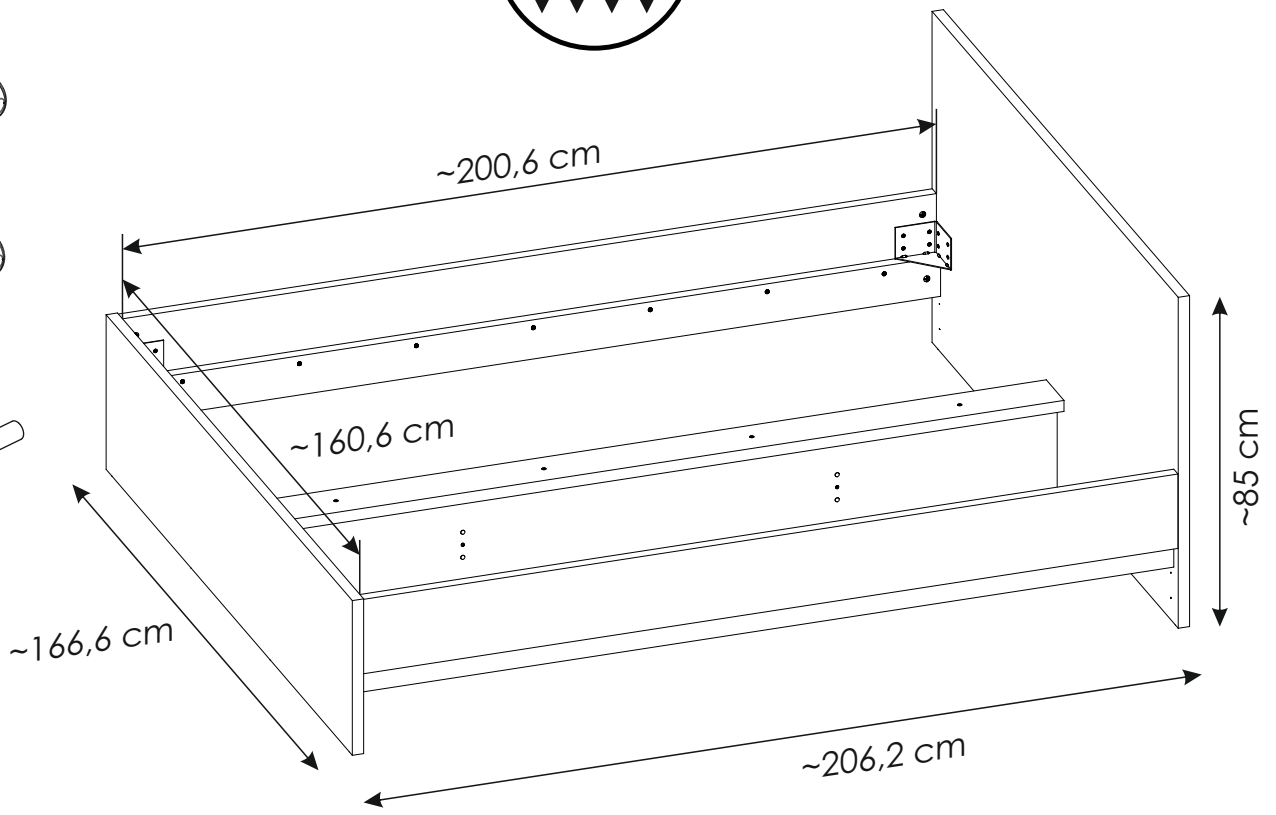
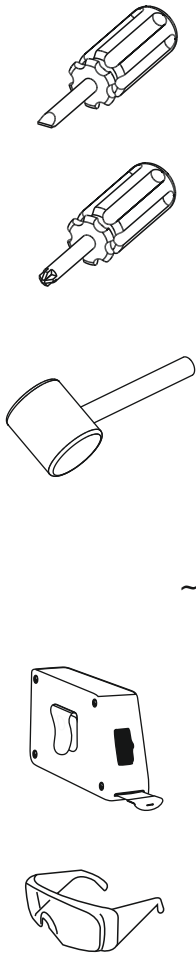
15▶

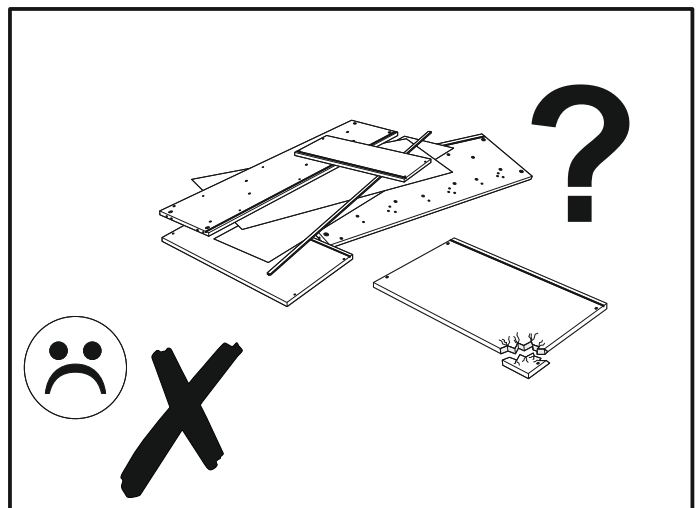
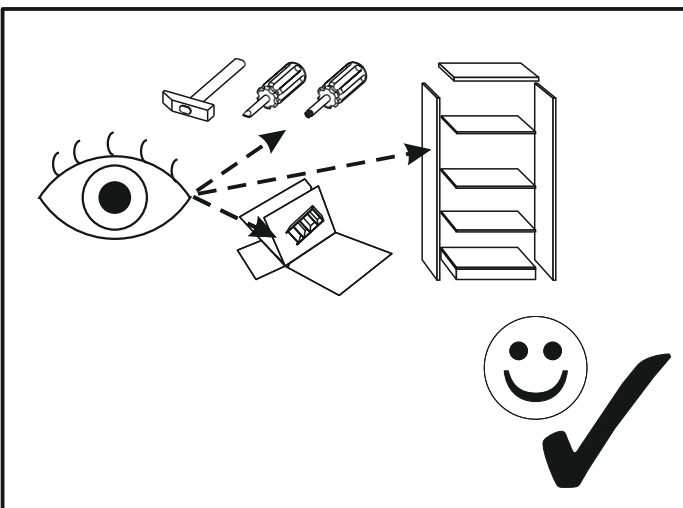
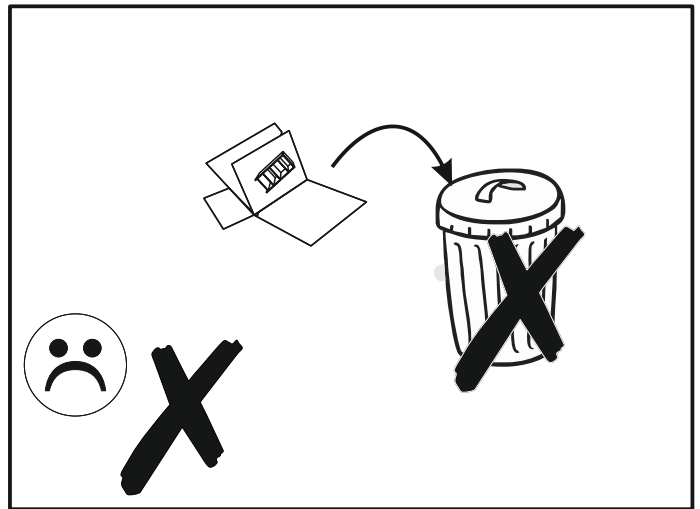
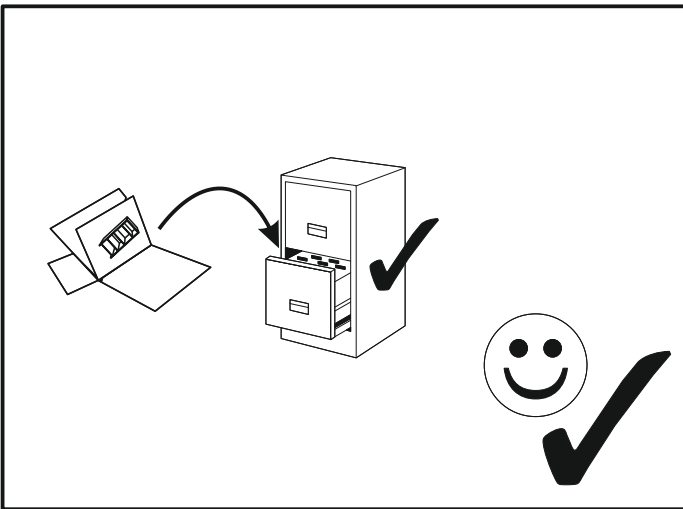
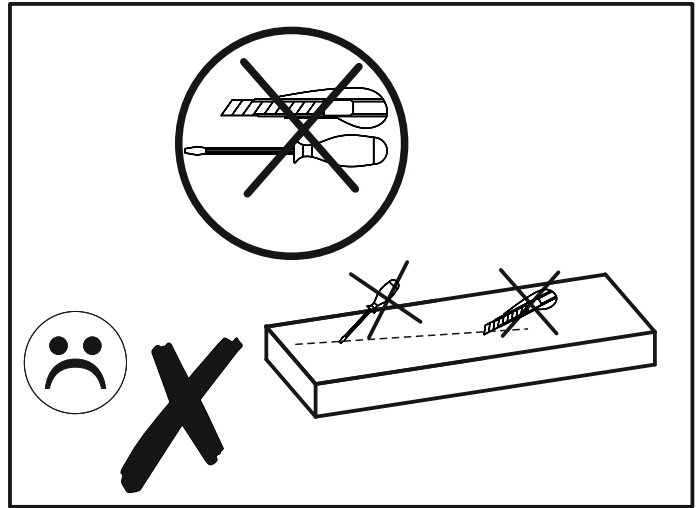
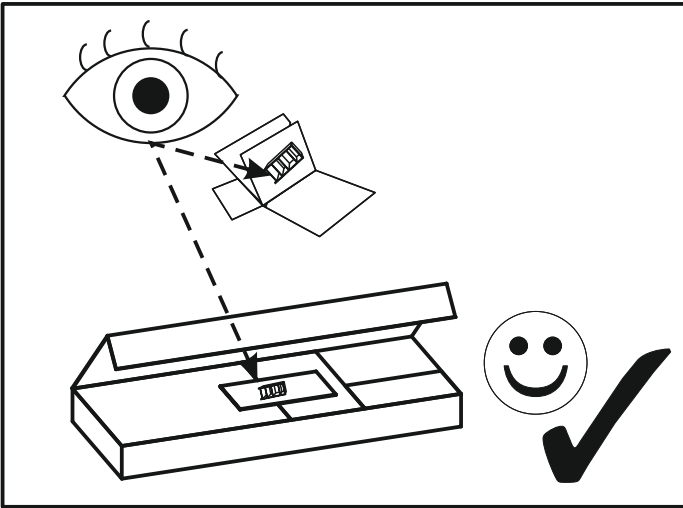


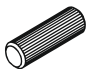


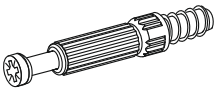

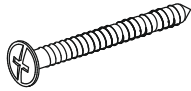
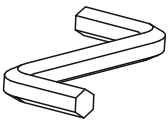
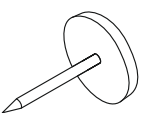
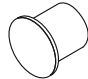
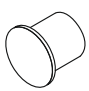
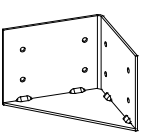


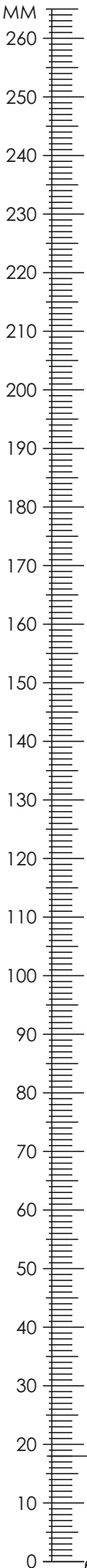


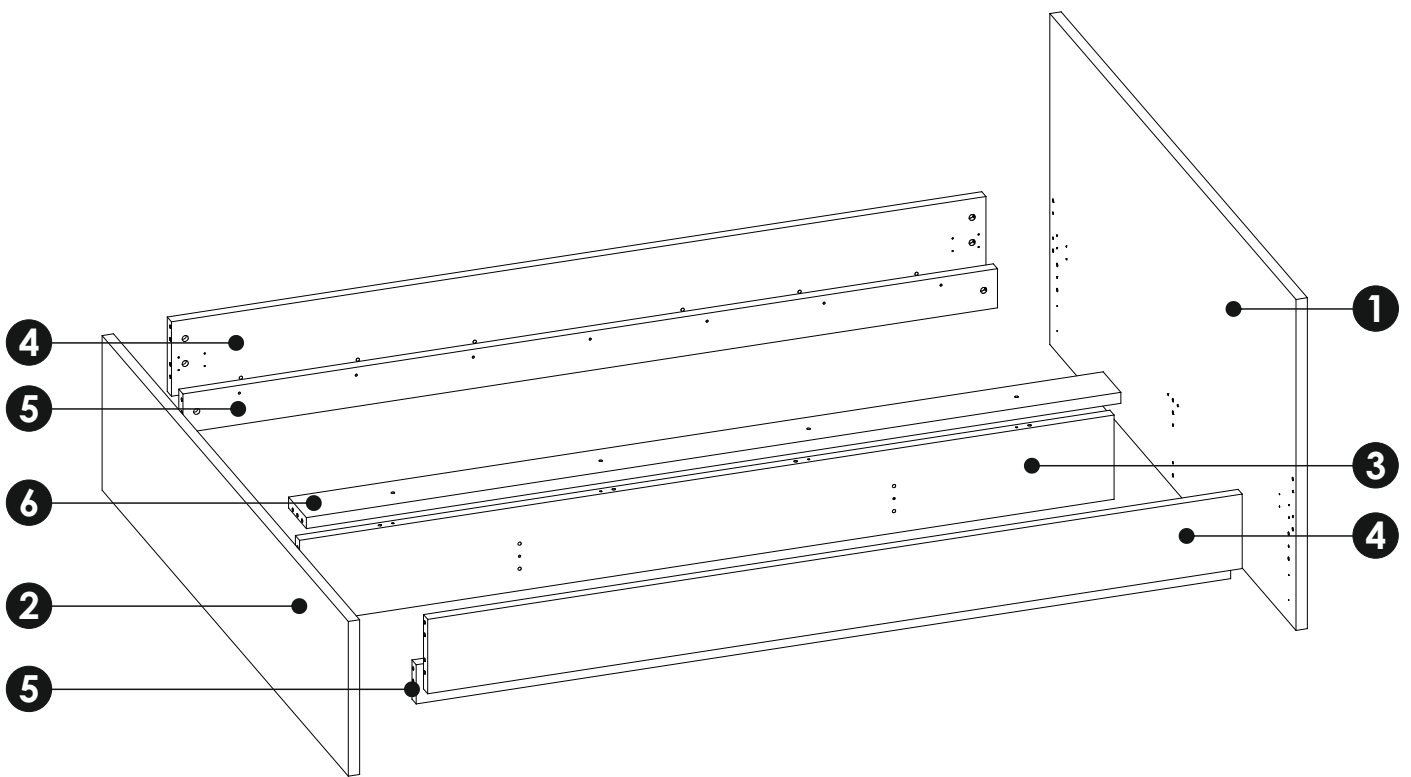
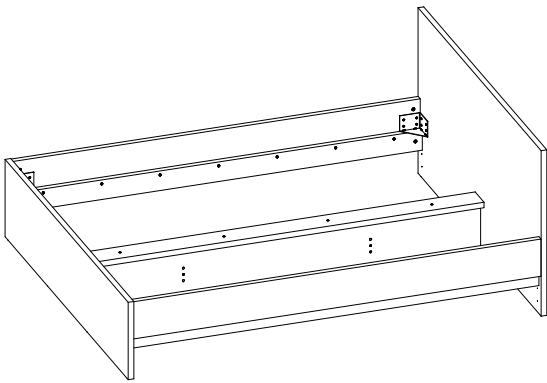
70 min



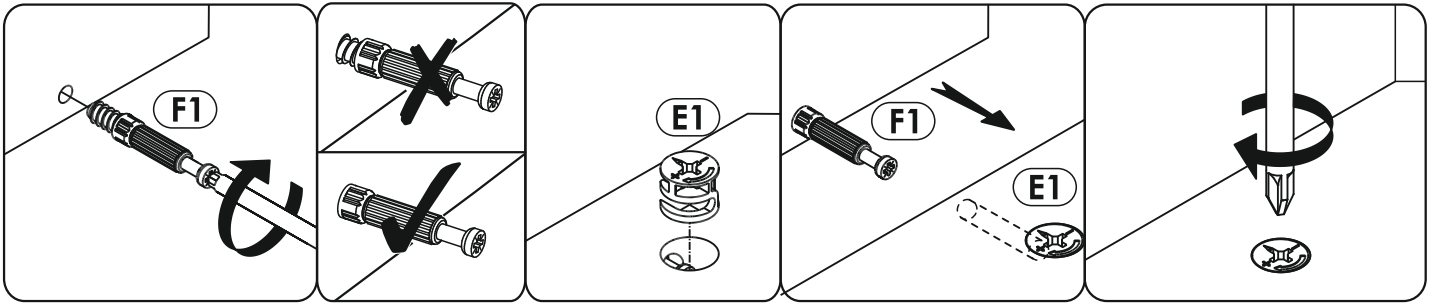


A1 8 x 35 mm x38 	C2 5 x 13 mm x32 	E1 15 x 12 mm x20 
F1 6 x 34 mm x20 	G2 7 x 60 mm x4 	I15 4 x 50 mm x14 
M x1 	O2 x12 	P0 x4  Ø5
P2 x8  Ø8	W x4 	

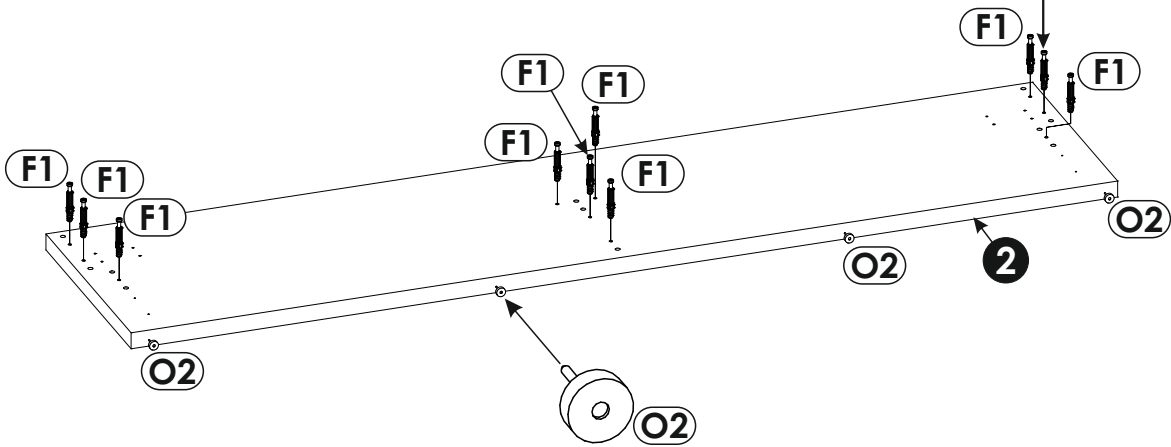
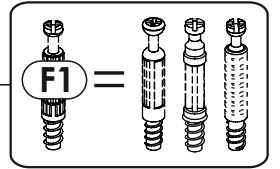
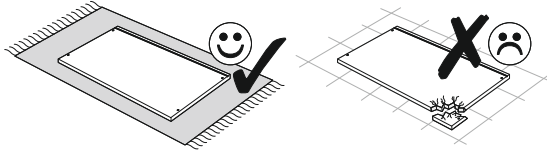




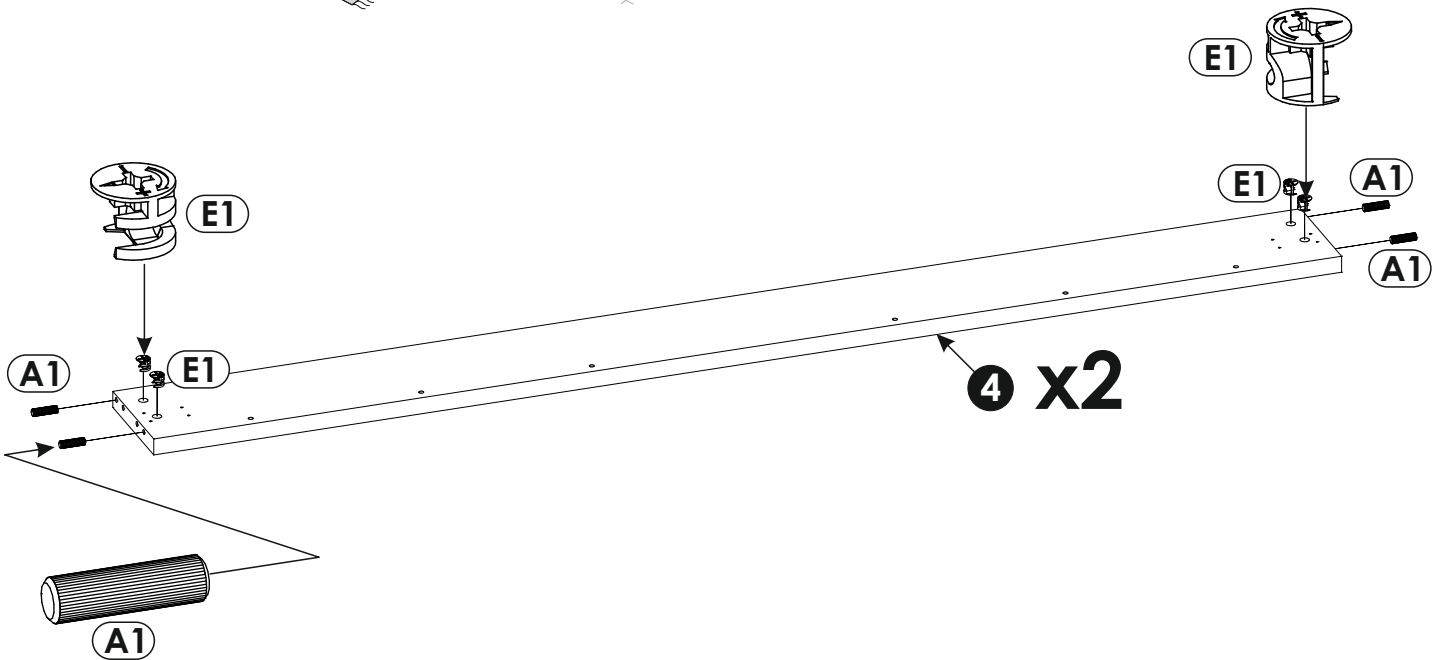
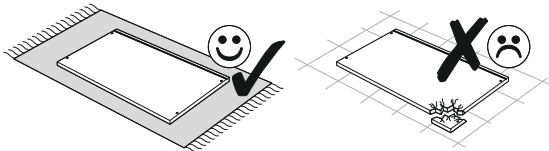
1	1666	845	28	x1	3/3
2	1666	395	28	x1	2/3
3	215	2006	28	x1	2/3
4	2006	190	28	x2	1/3
5	100	2006	28	x2	1/3
6	120	2006	28	x1	2/3



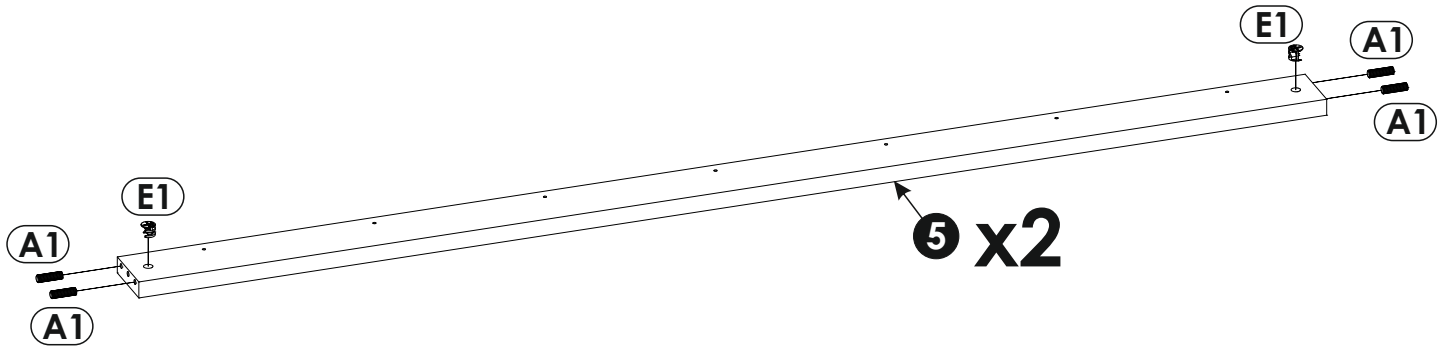
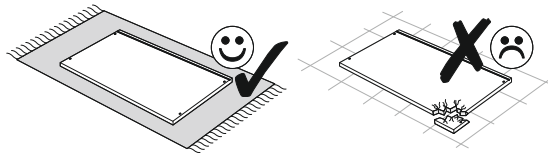
1 ▶



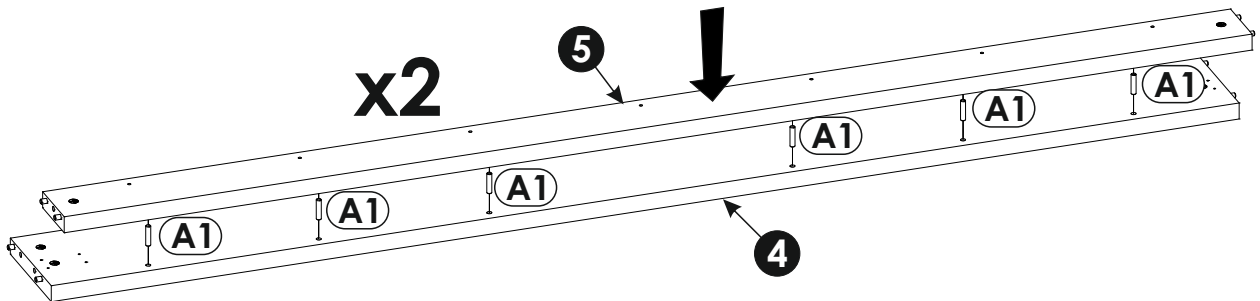
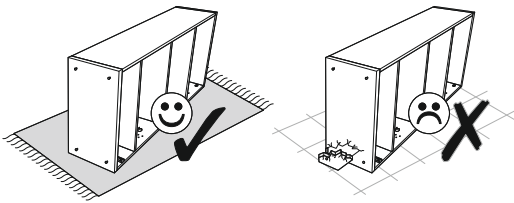
2 ▶

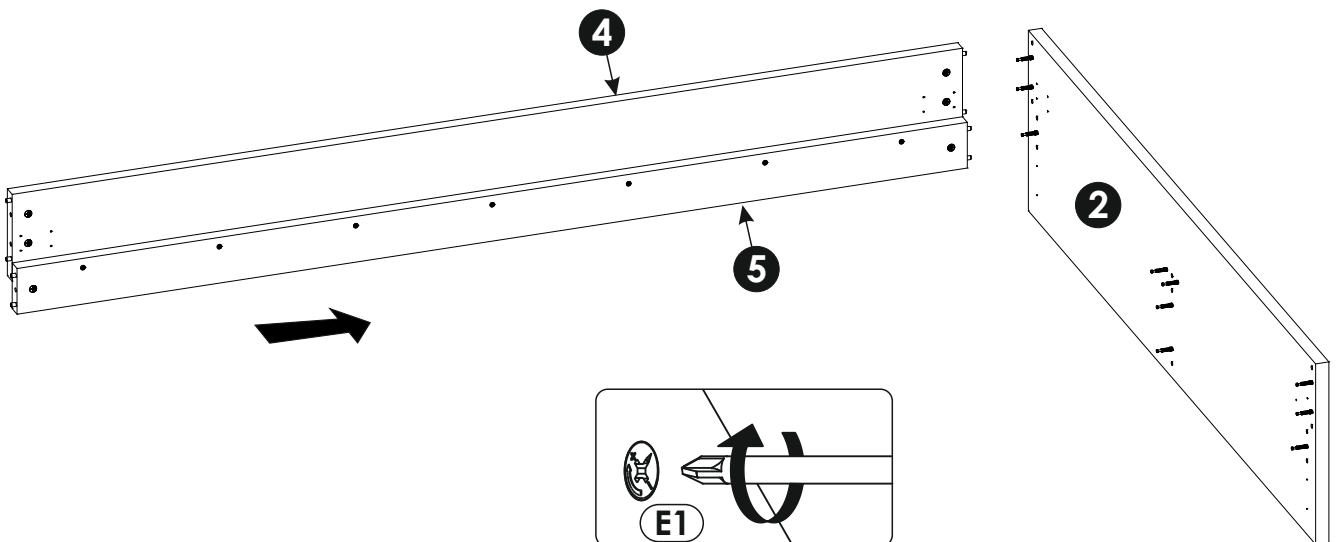
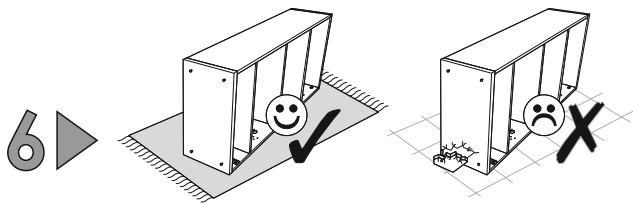
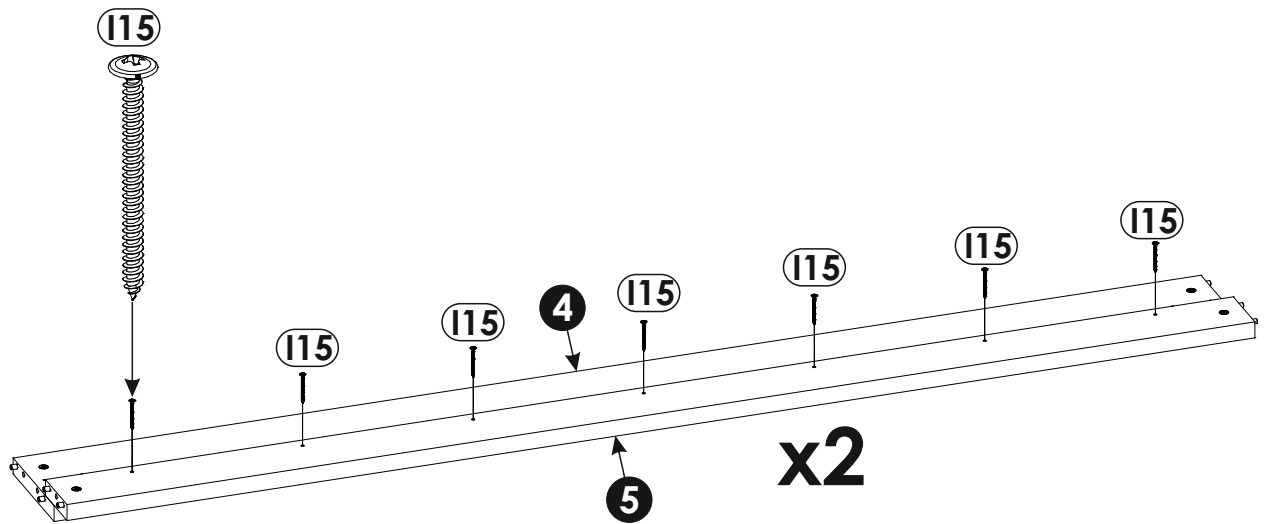
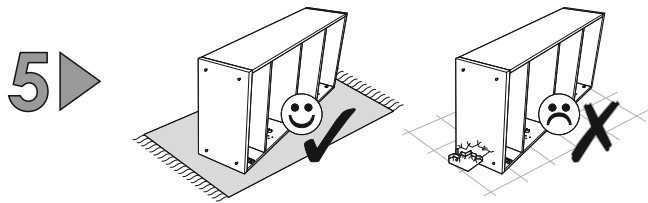


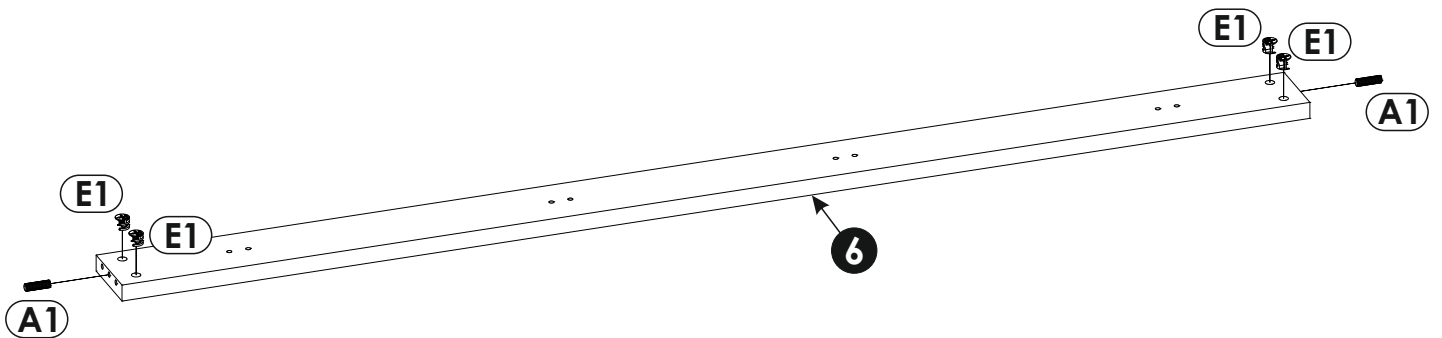
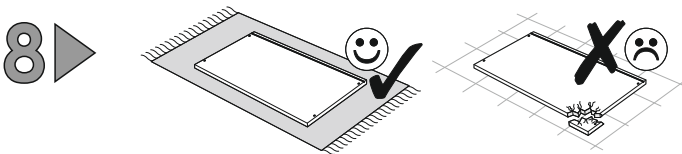
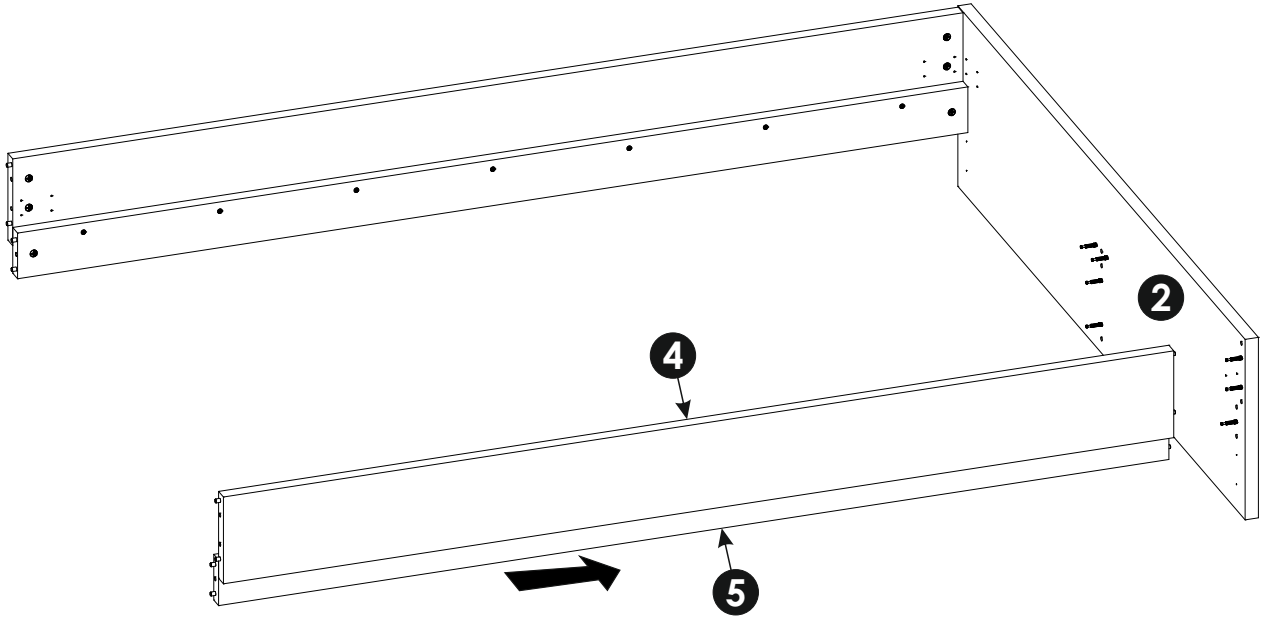
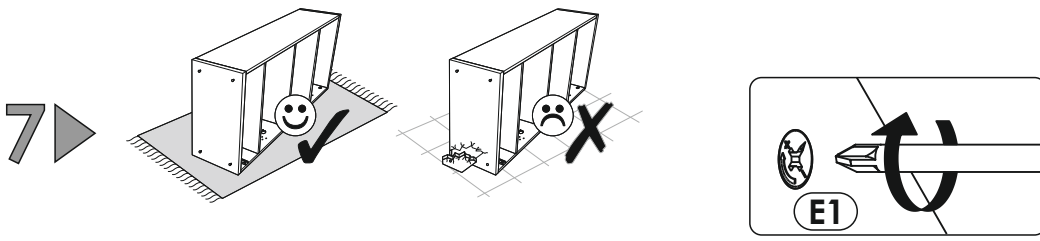
3 ▶

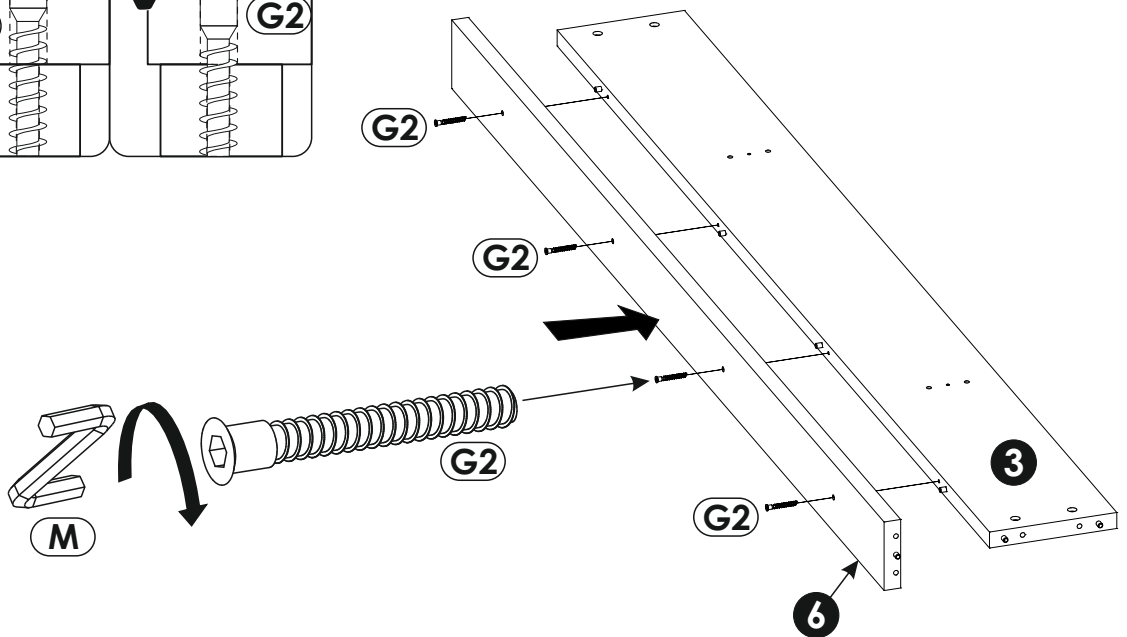
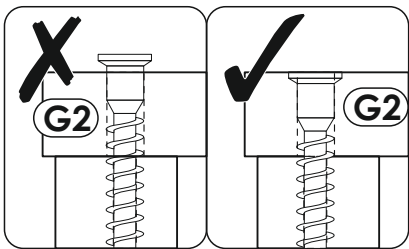
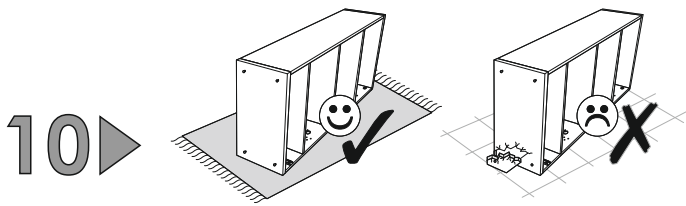
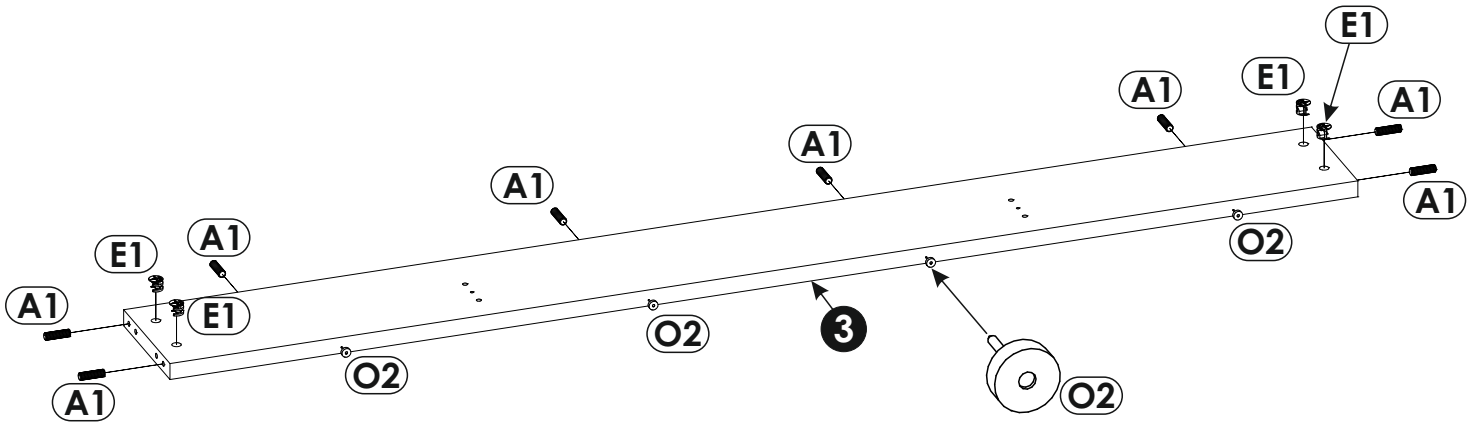
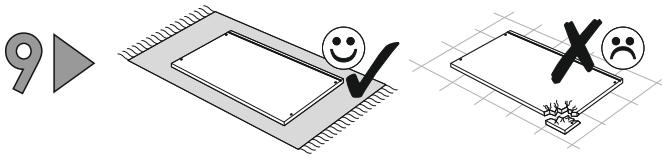


4 ▶

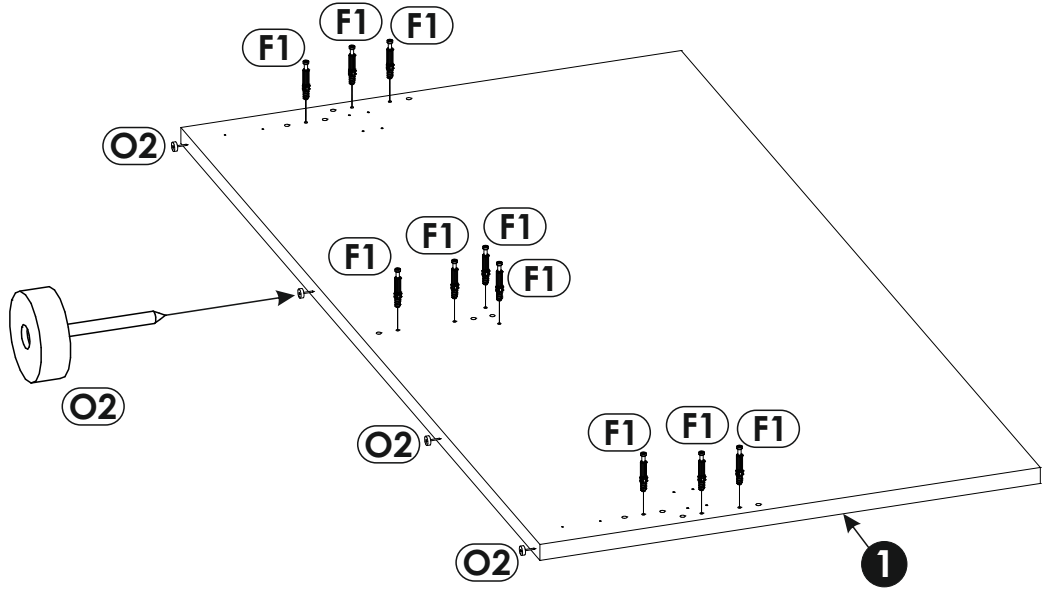
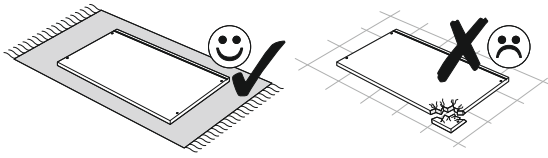




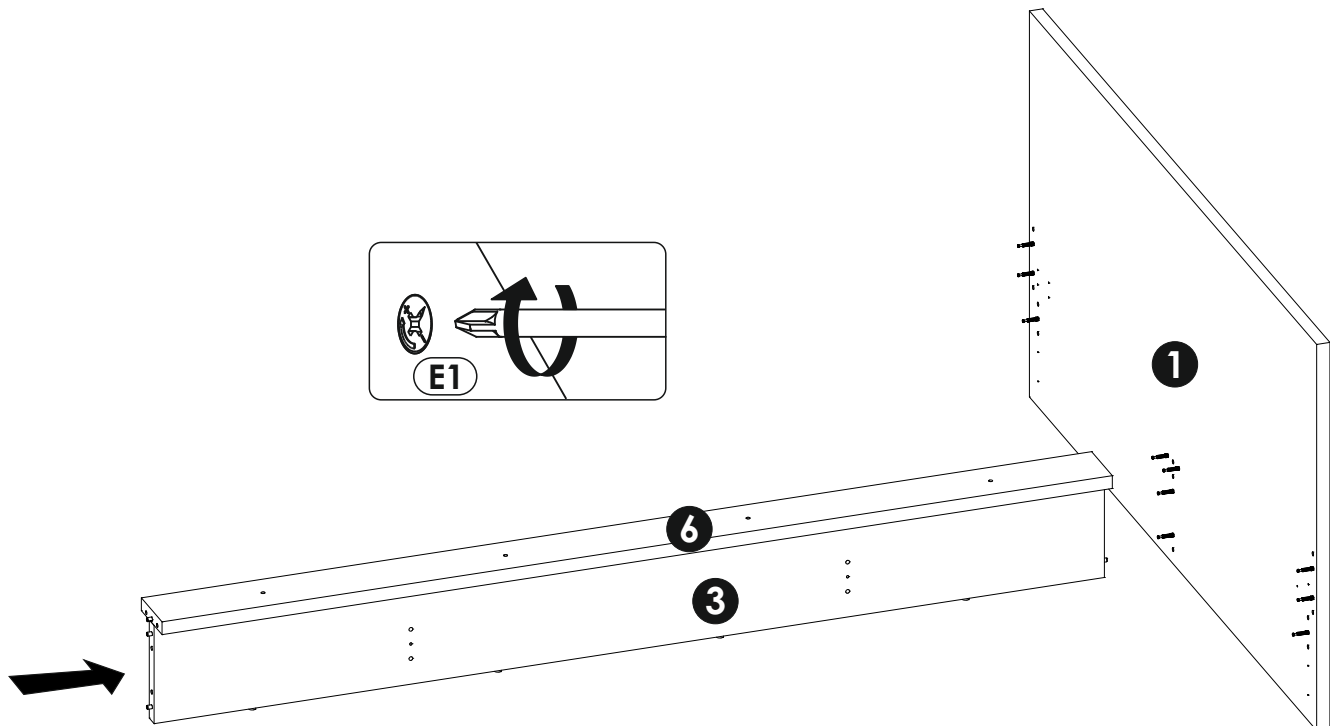
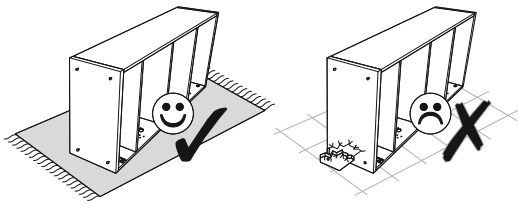




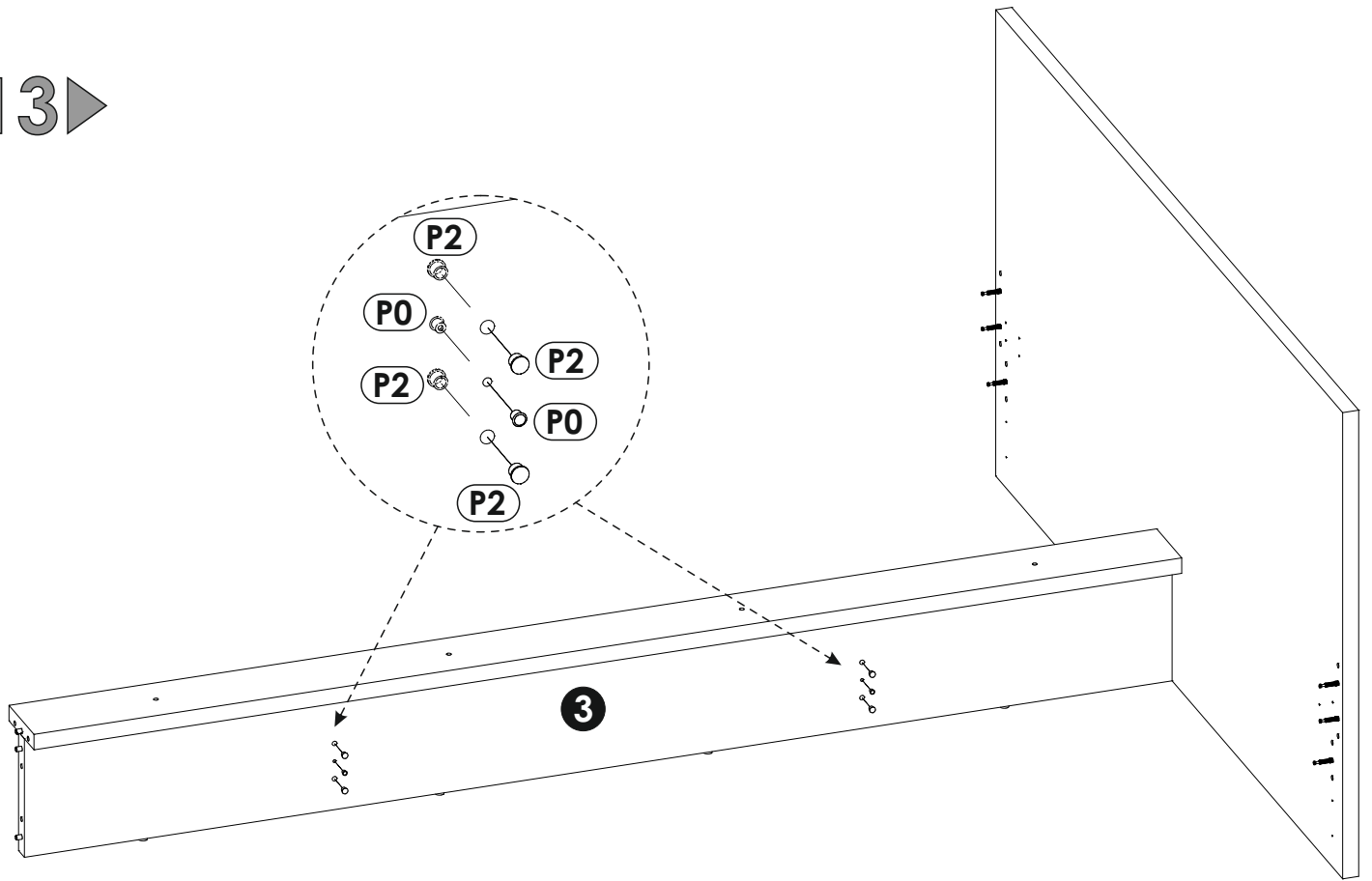
11 ▶



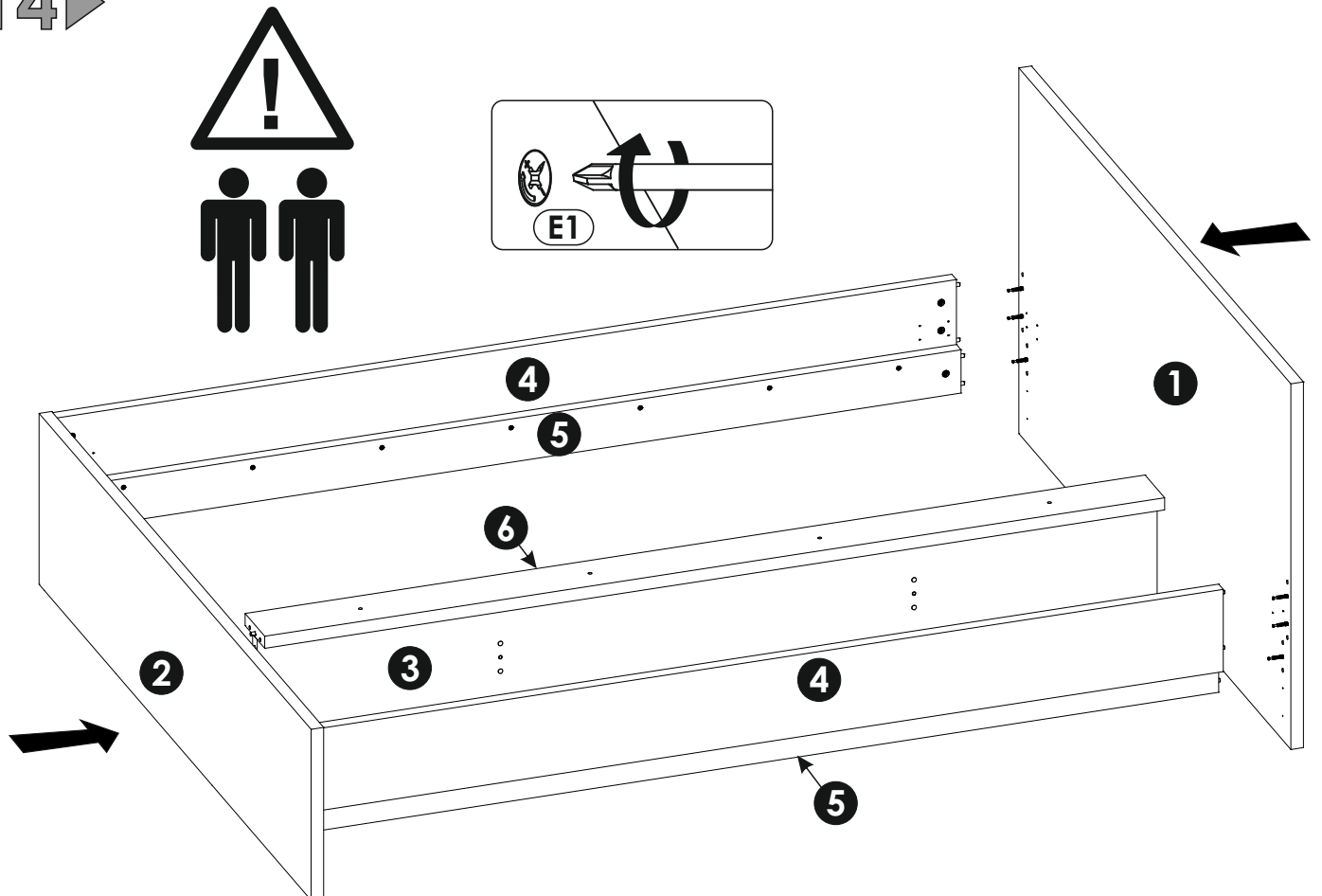
12 ▶



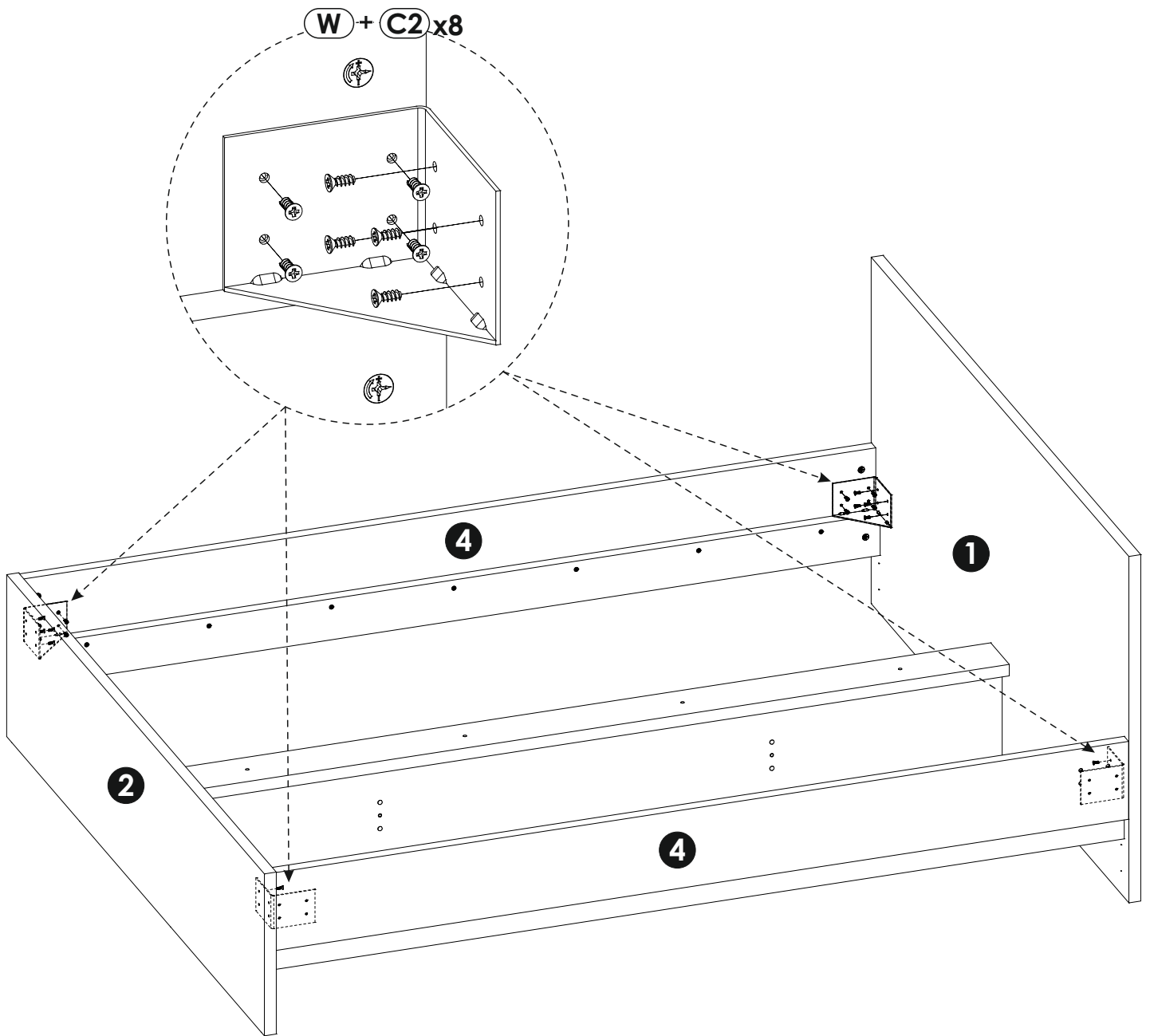
13▶

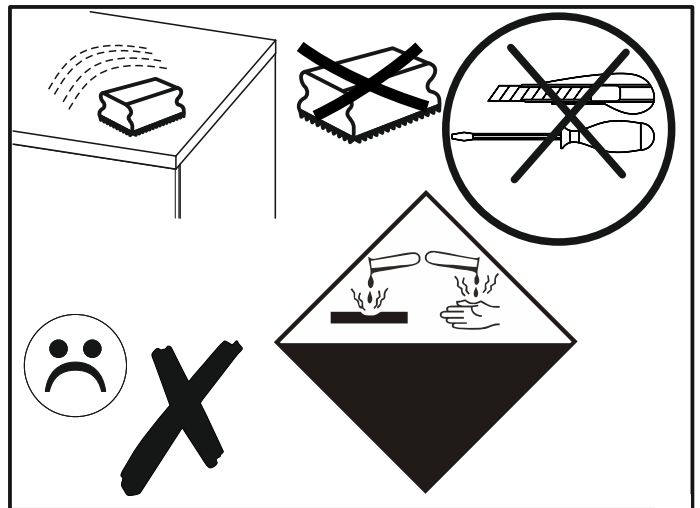


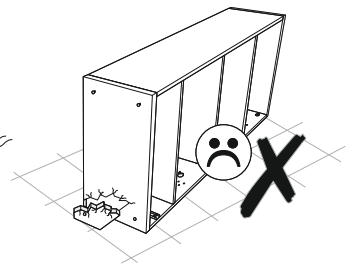
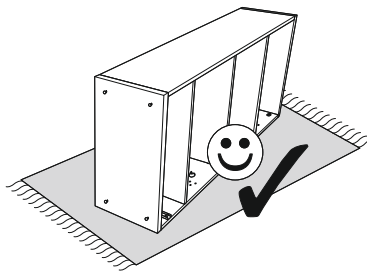
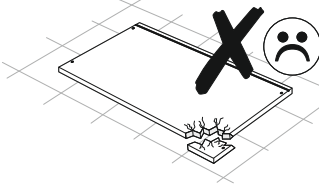
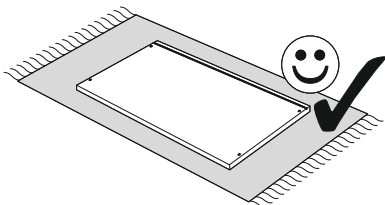
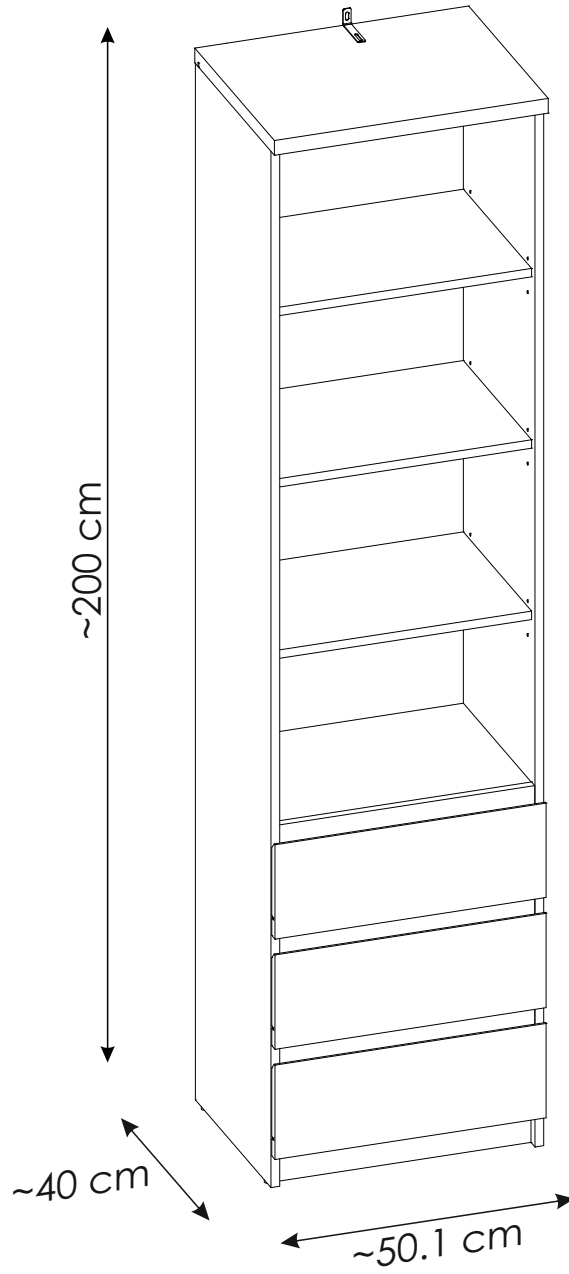
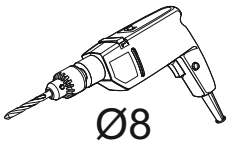
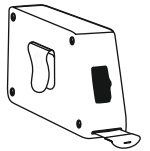
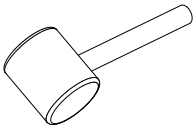
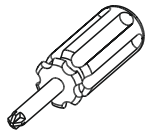
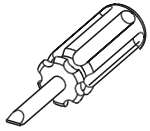
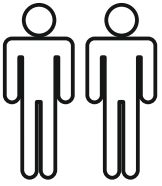
14▶

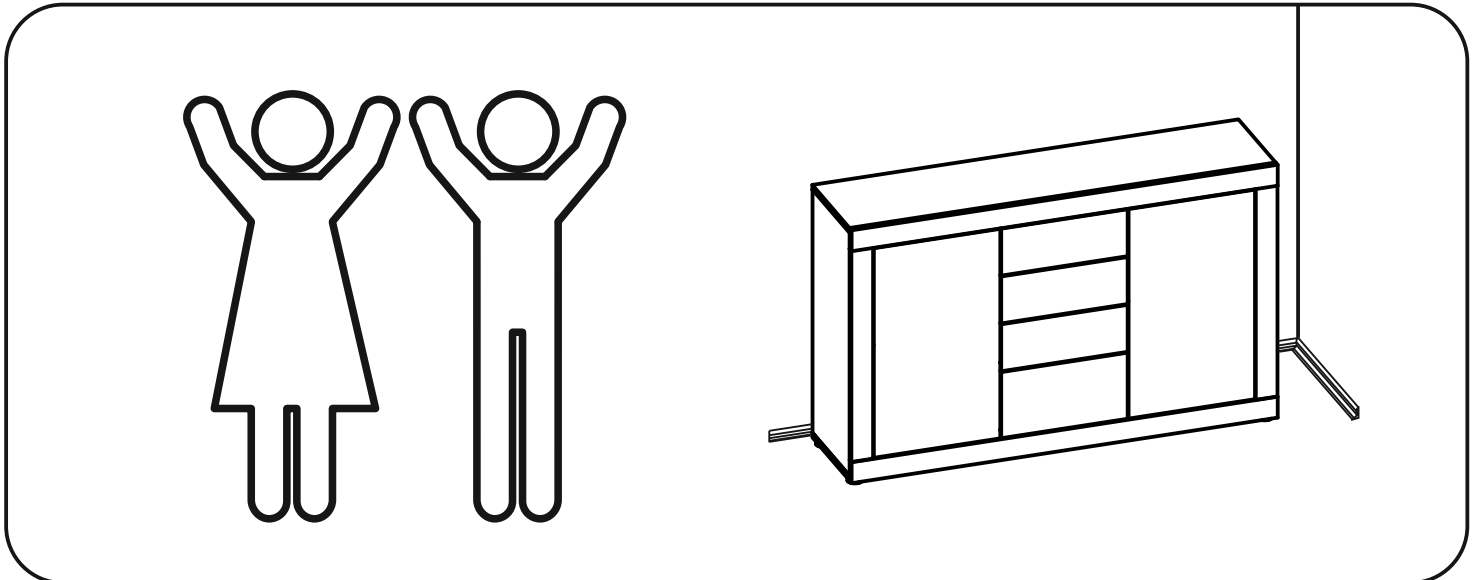
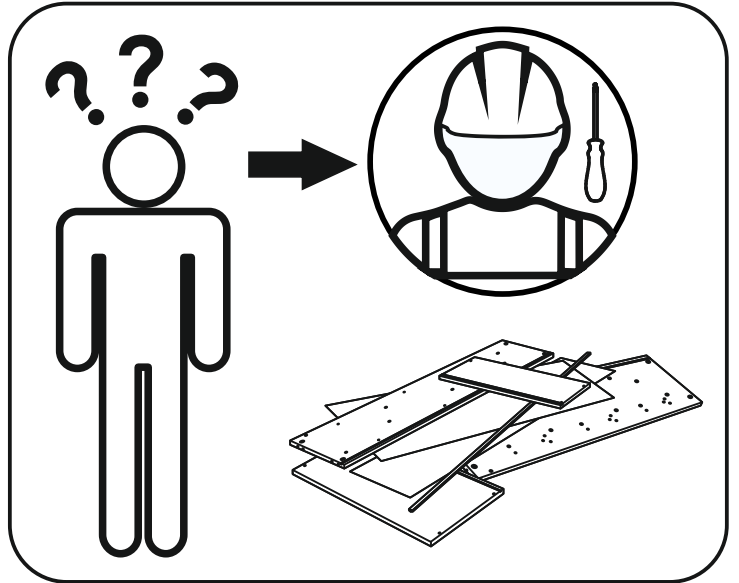
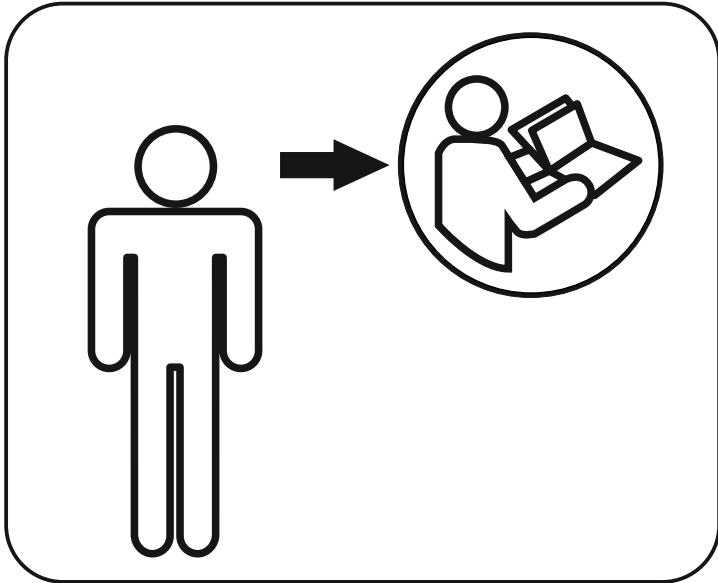
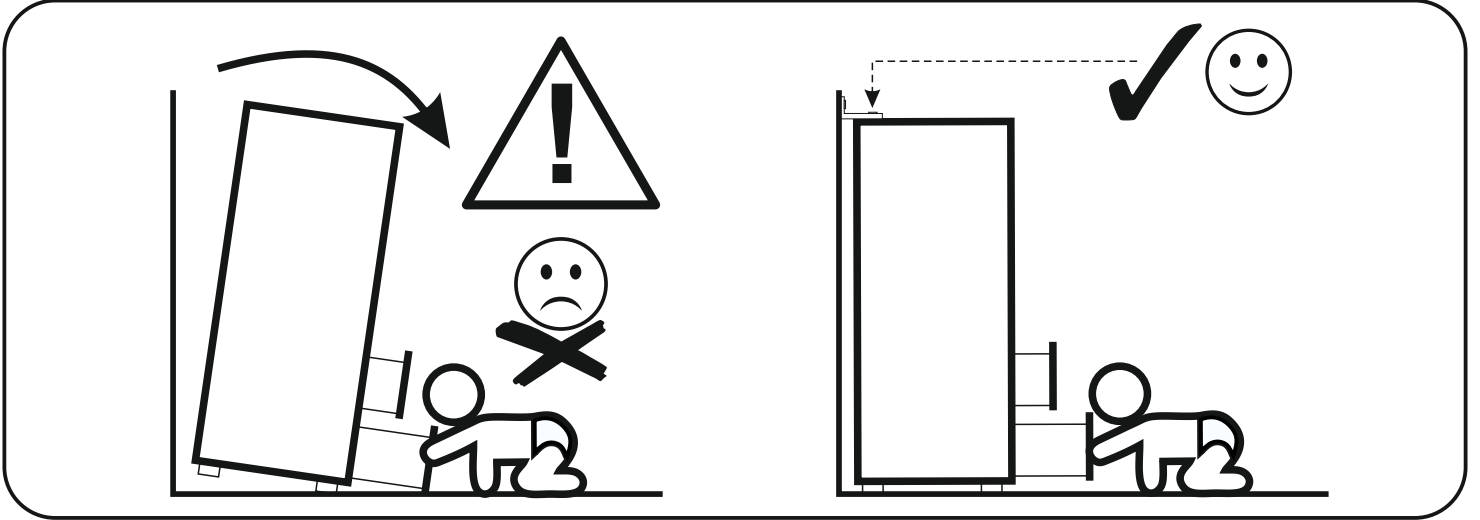
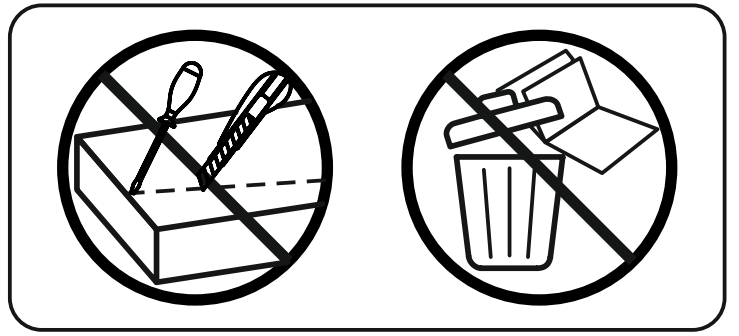
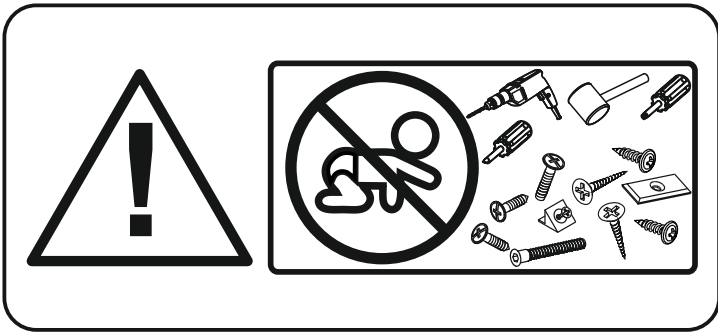


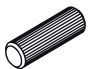

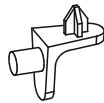


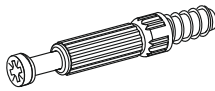
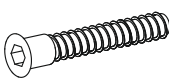
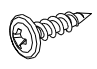
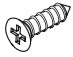
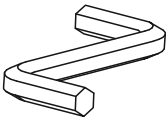
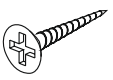
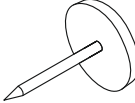
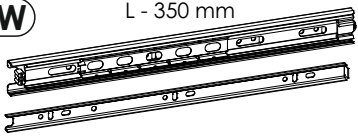
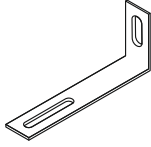
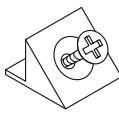
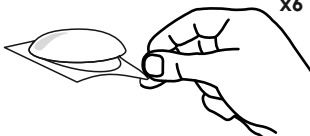
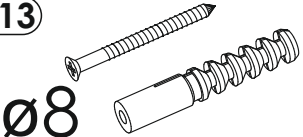
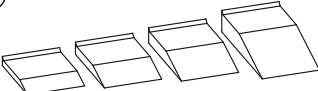
15▶

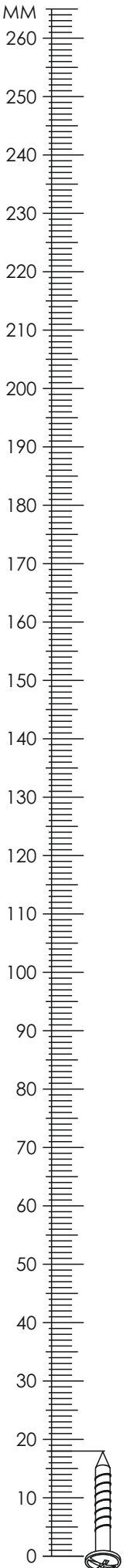


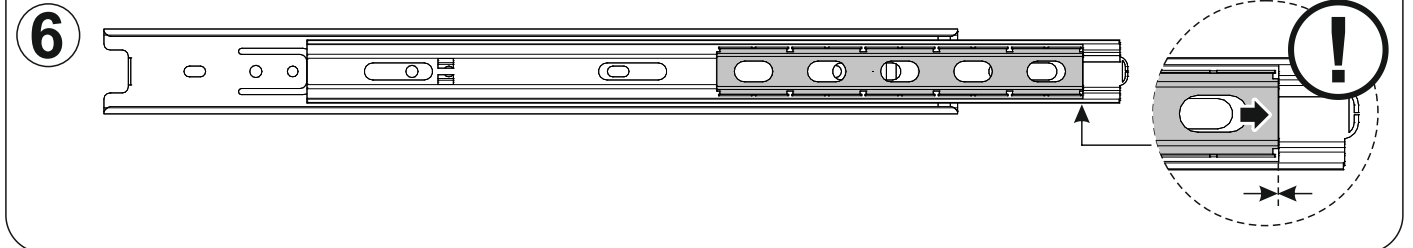
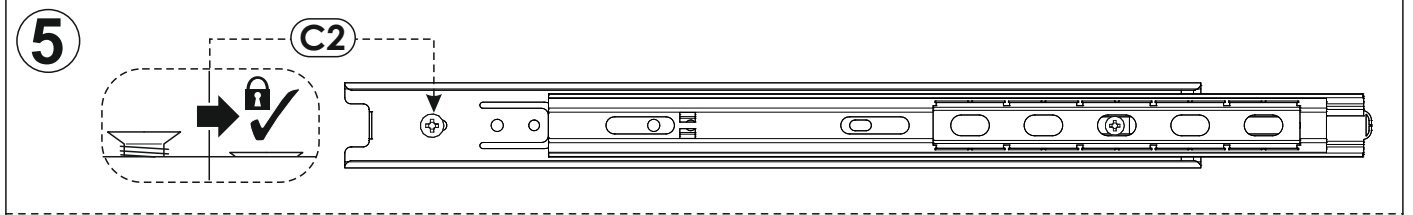
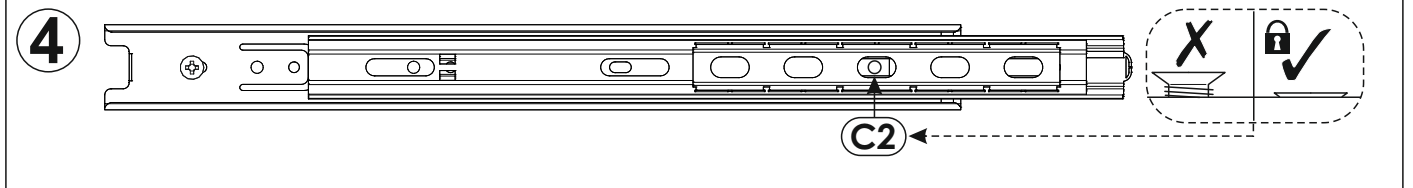
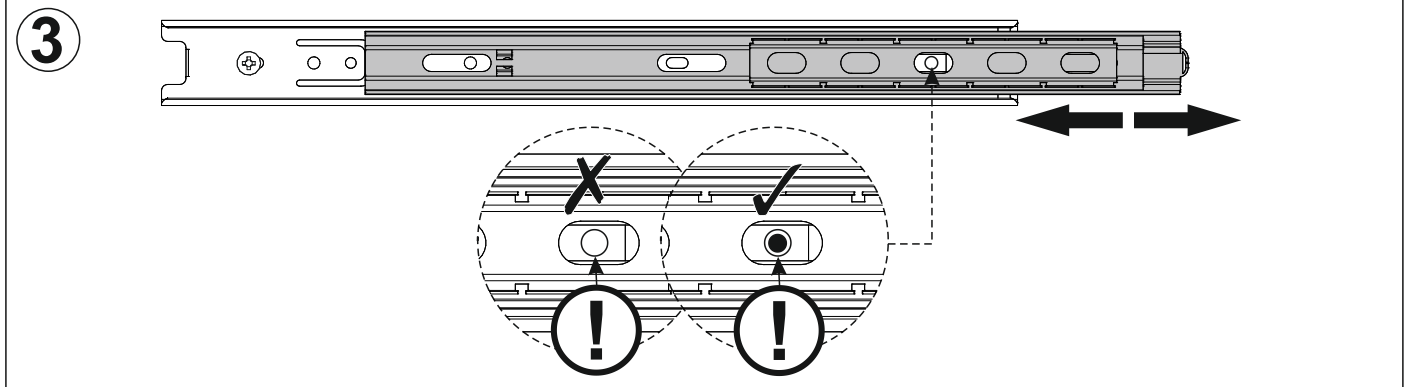
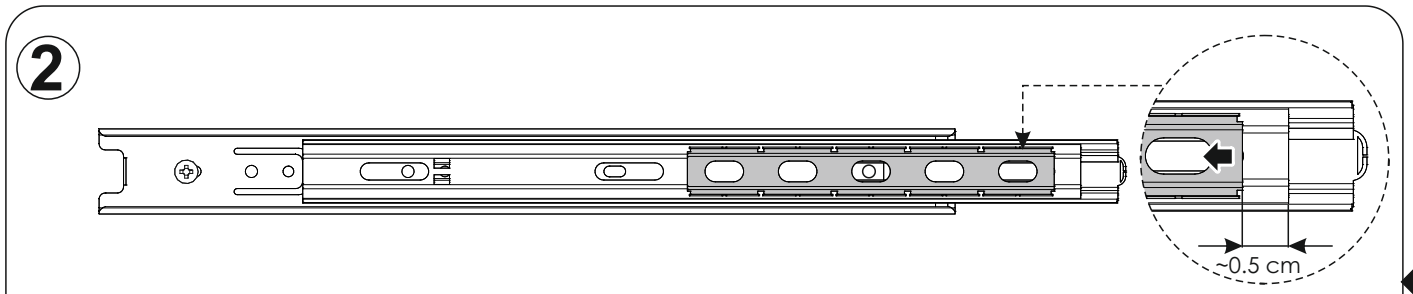
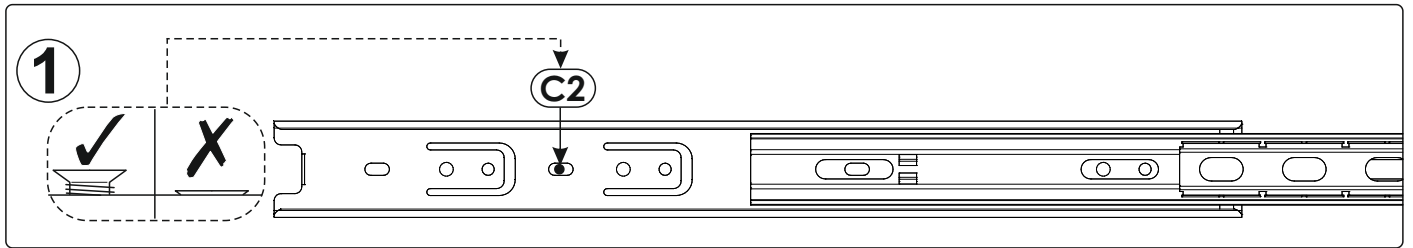
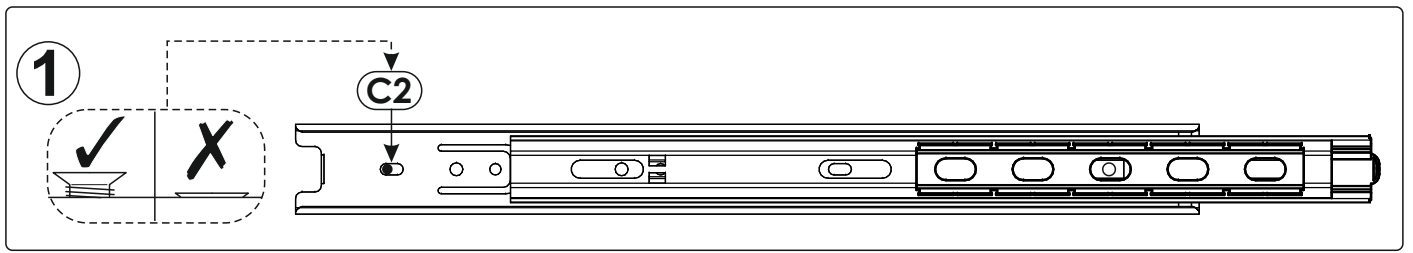


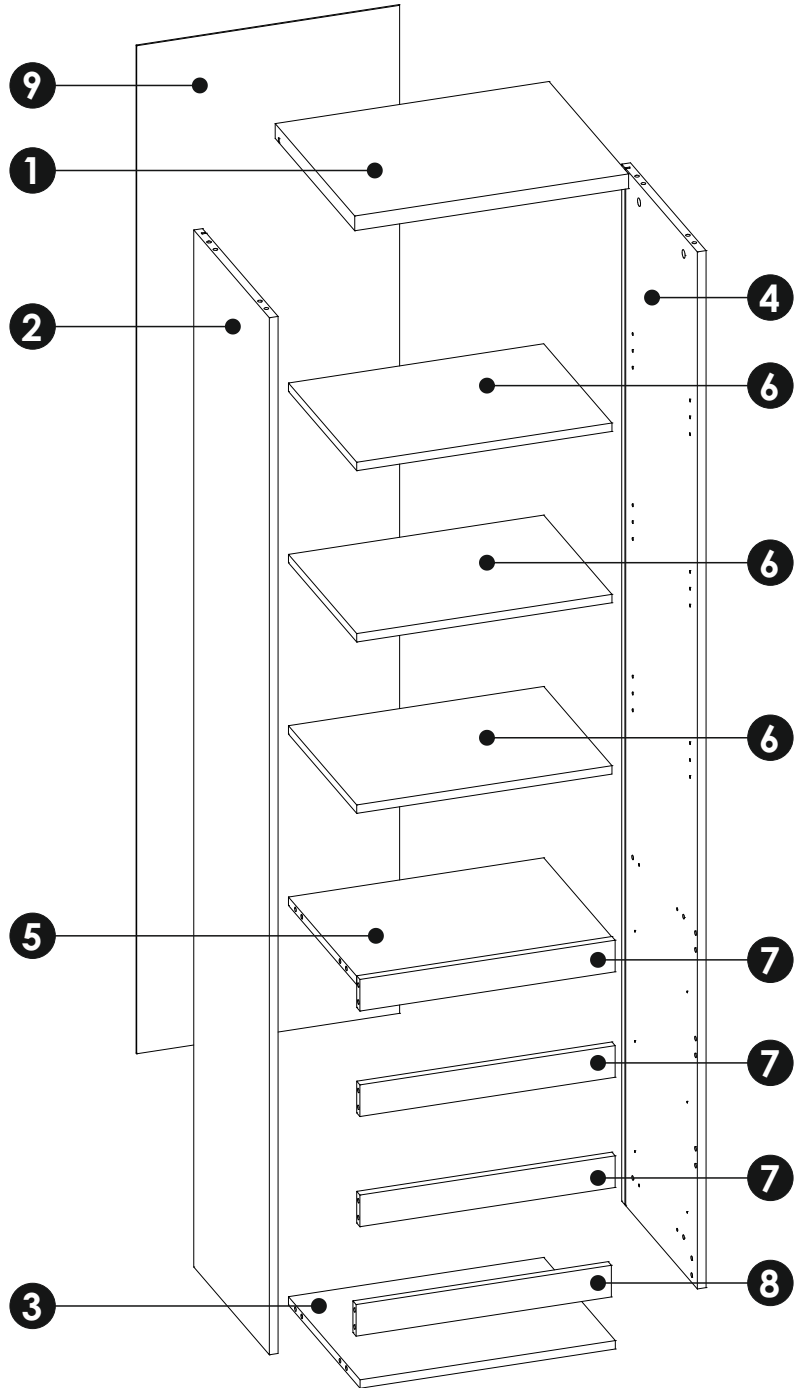
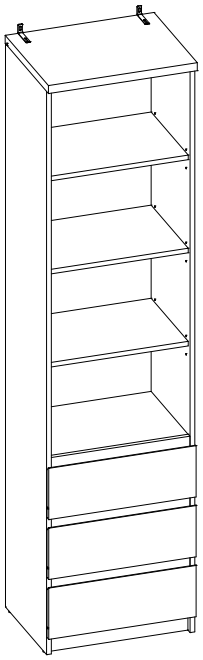




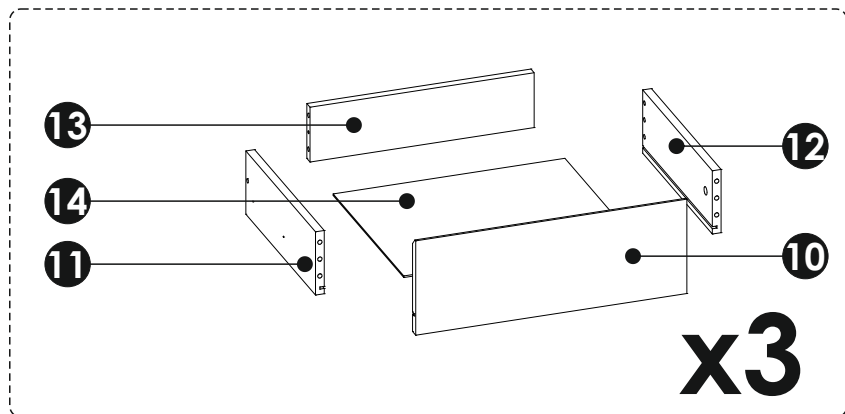
A1 8 x 35 mm x52 	C2 5 x 13 mm x12 	D6  x12
E0  x10	E1 15 x 12 mm x18 	F1 6 x 34 mm x18 
G1 7 x 50 mm x6 	I2 4 x 16 mm x1 	J4 3,5 x 16 mm x18 
M  x1	N1 3 X 16 mm x20 	O2  x4
PW L - 350 mm x6 	Q9  x1	R4  x14
R8  x6	S13 Ø8  x1	Z  x1

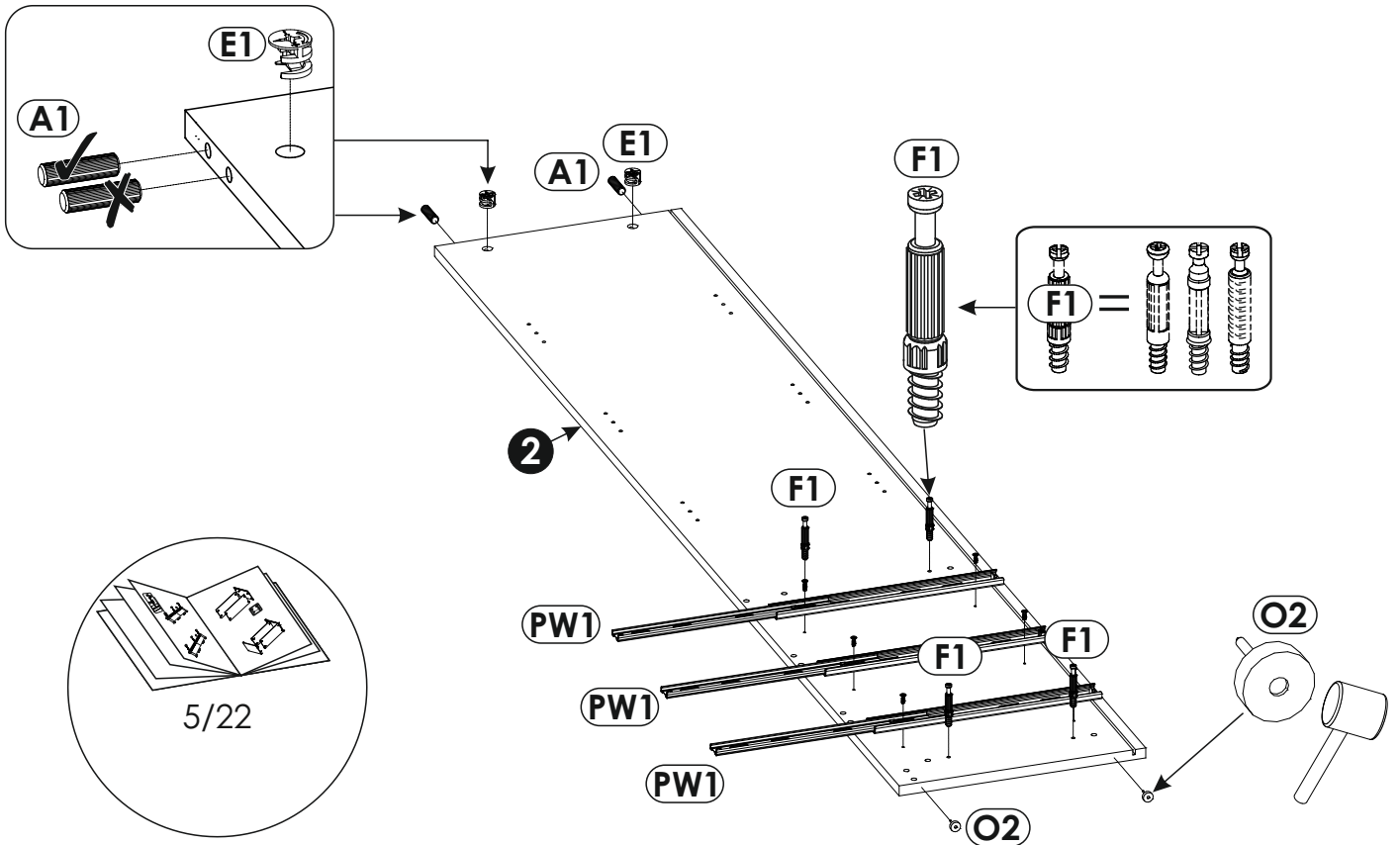
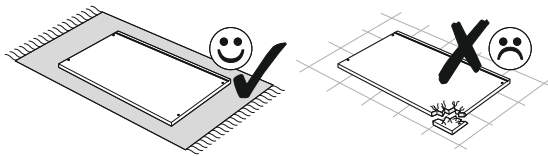
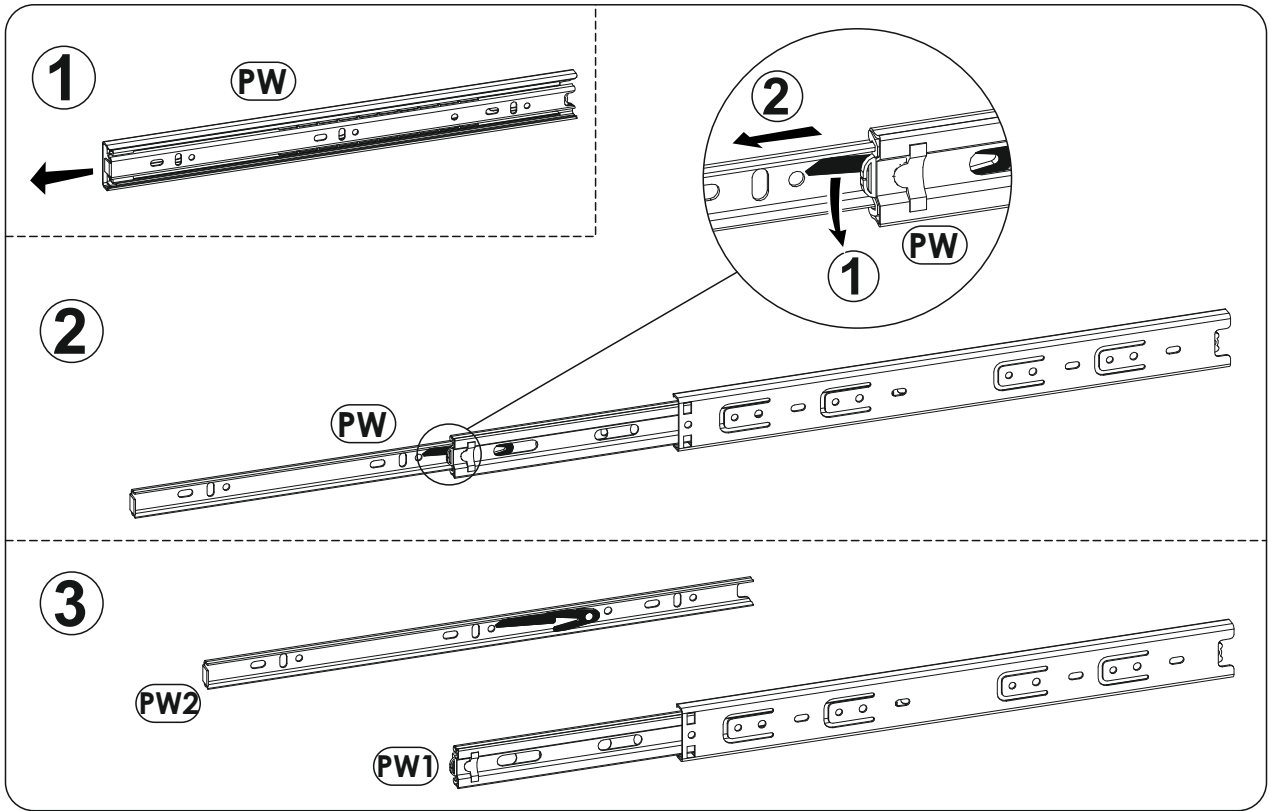




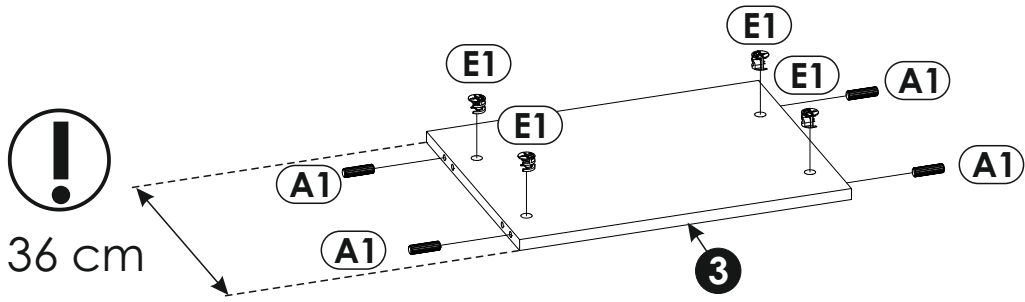
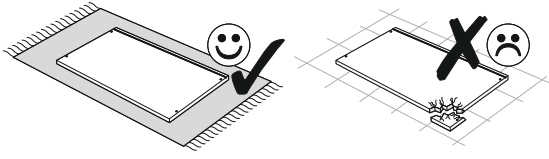


1	501	400	28	x1	1/2
2	1967	380	16	x1	2/2
3	467	360	16	x1	1/2
4	1967	380	16	x1	2/2
5	467	343	16	x1	2/2
6	467	343	16	x3	2/2
7	467	60	16	x3	1/2
8	467	60	16	x1	1/2
9	1912	481	3	x1	2/2
10	496	179	16	x3	1/2
11	350	120	16	x3	1/2
12	350	120	16	x3	1/2
13	410	104	16	x3	1/2
14	424	355	3	x3	1/2

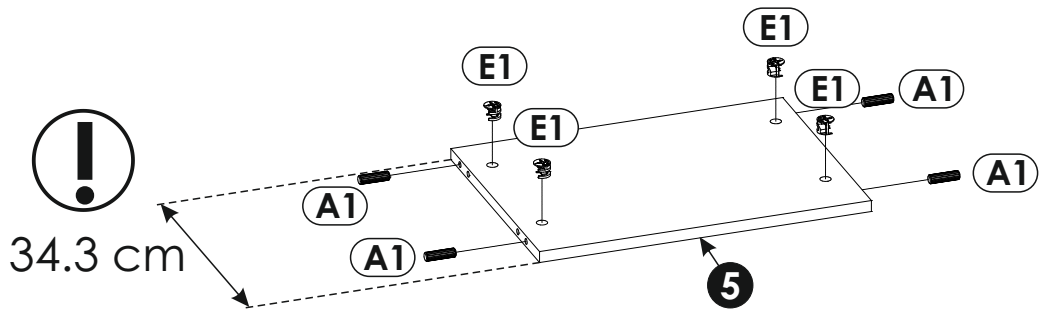
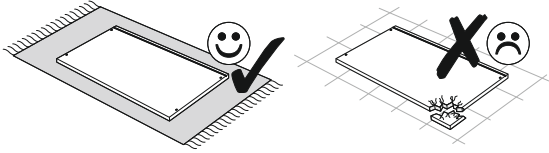


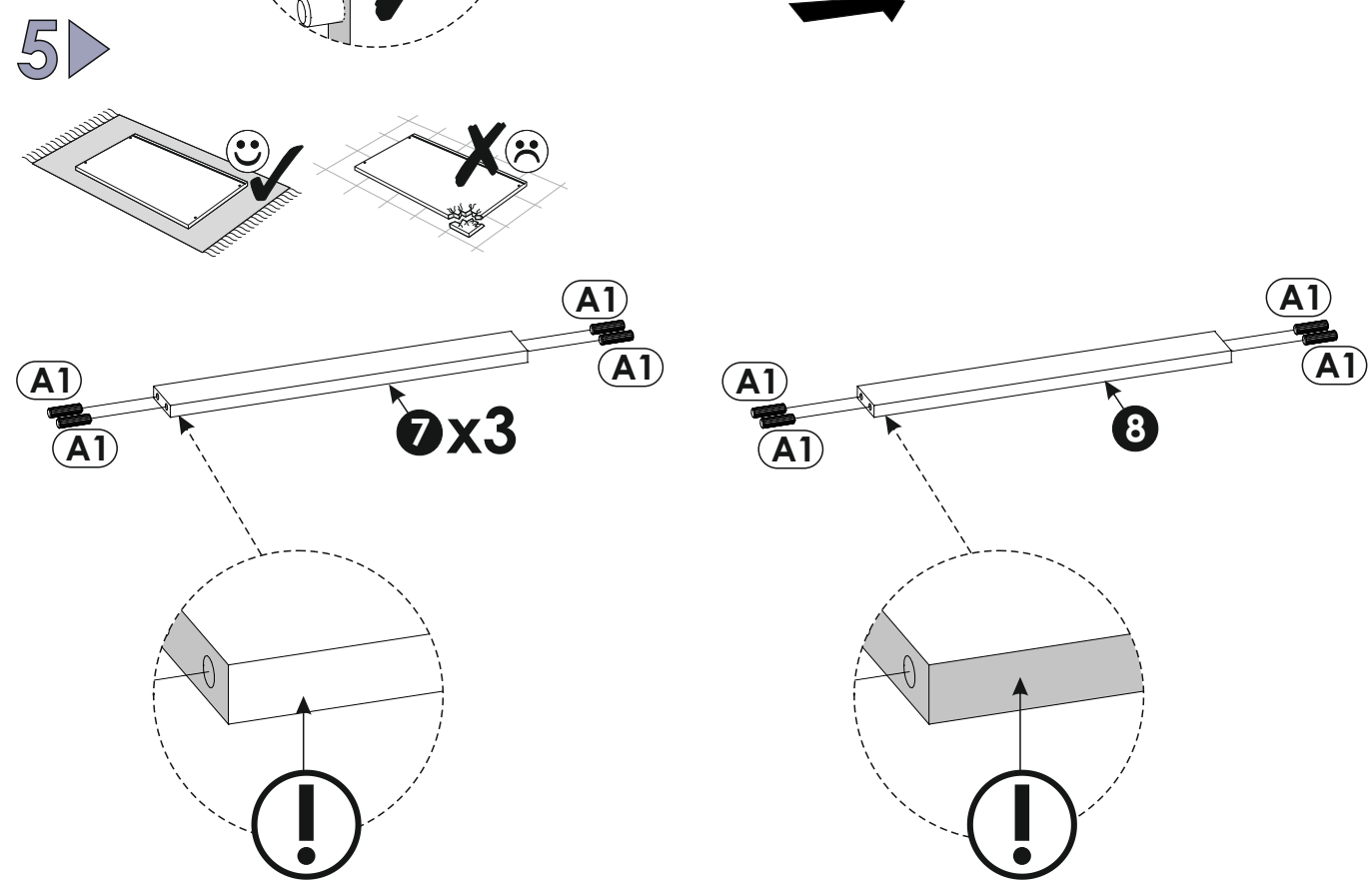
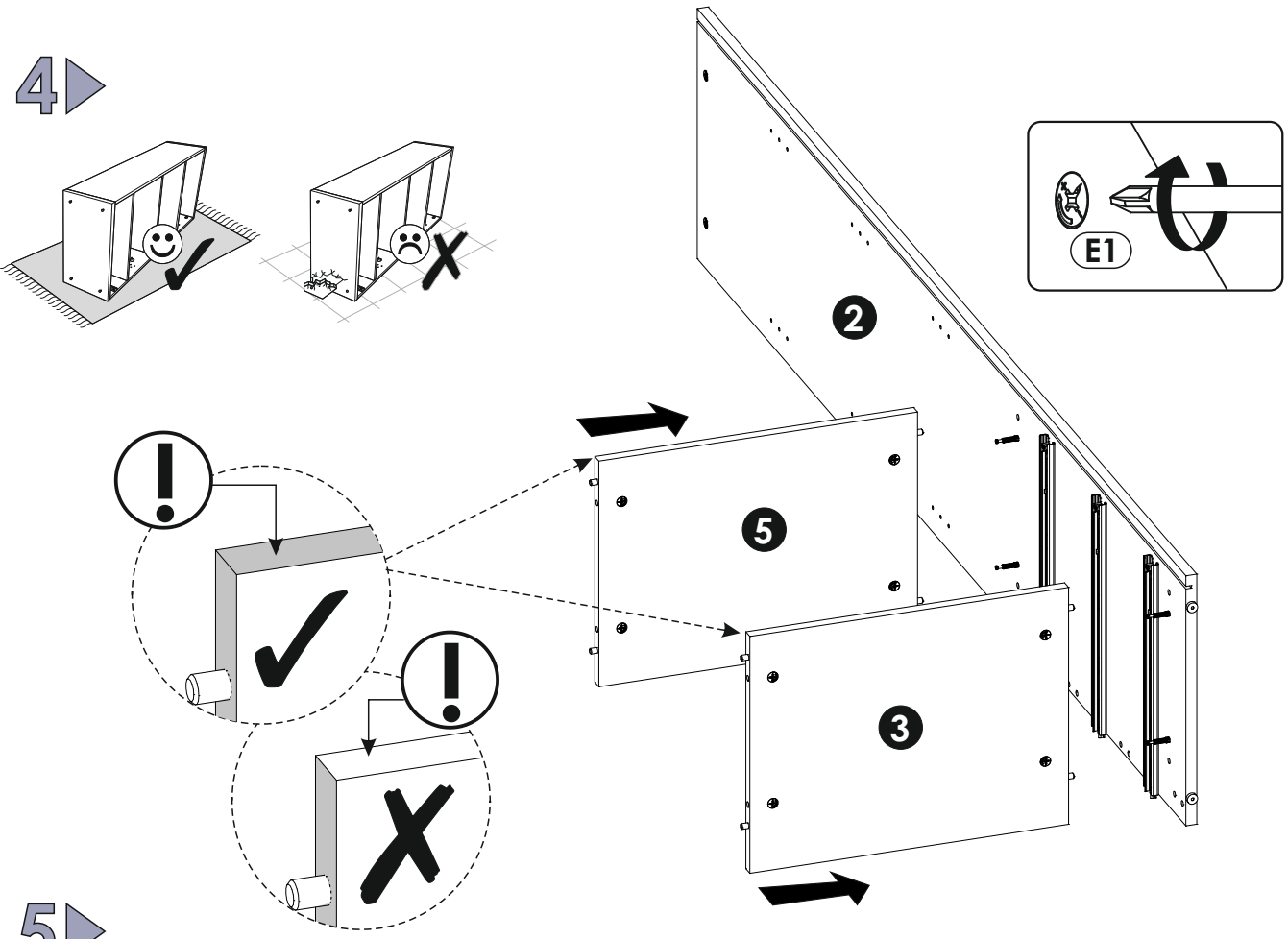
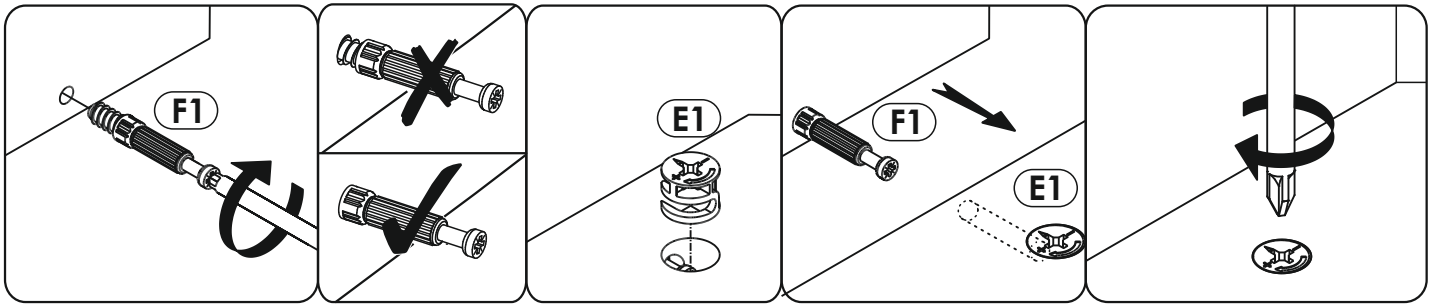


2 ▶

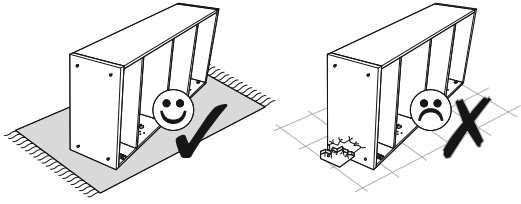


3 ▶

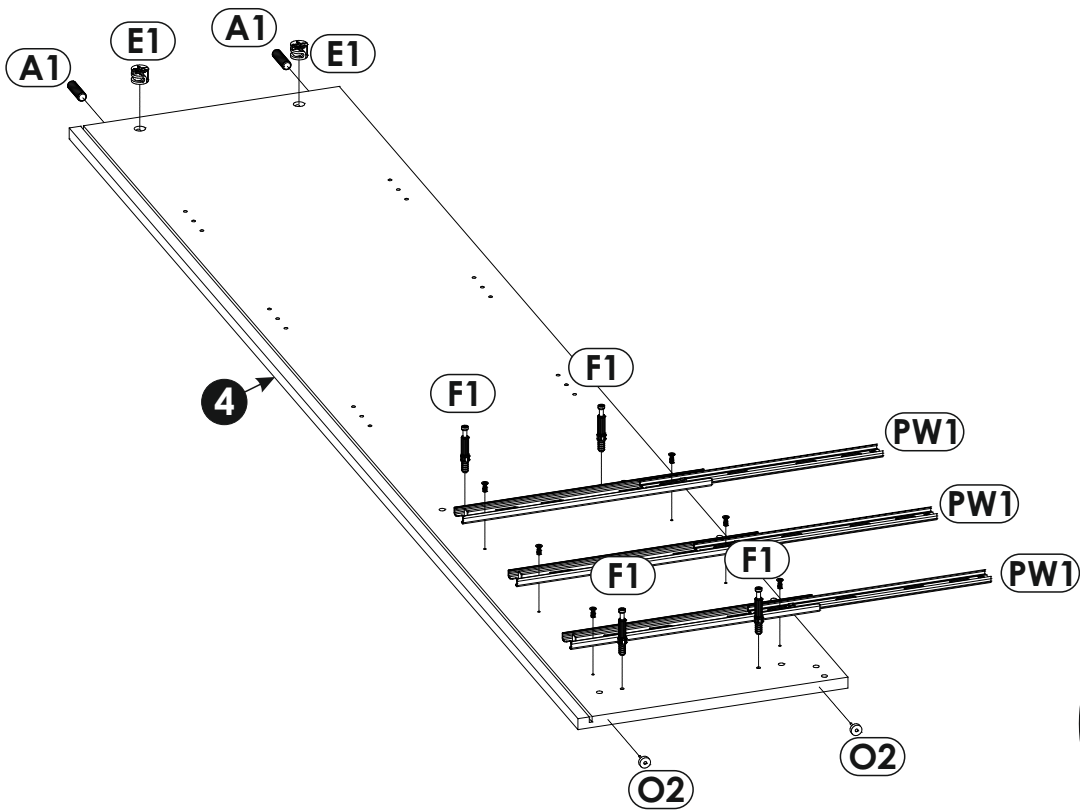
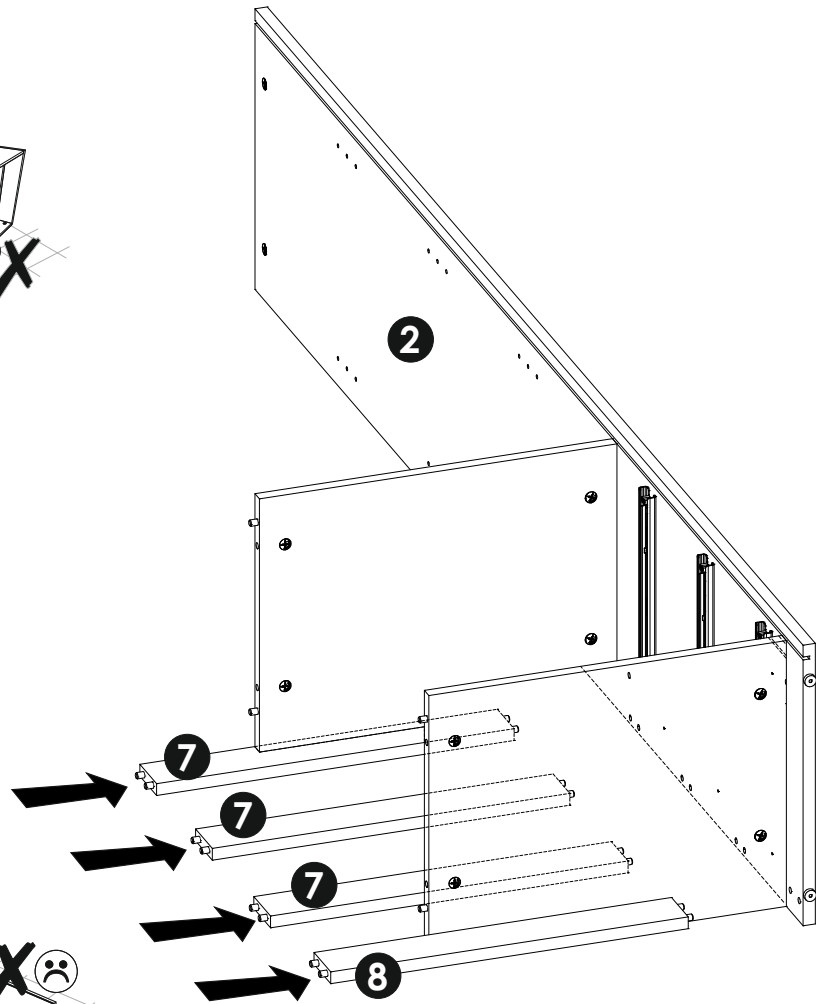
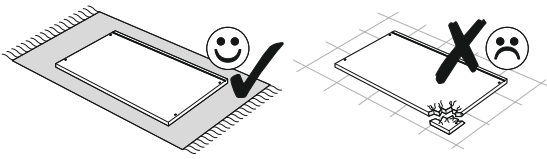




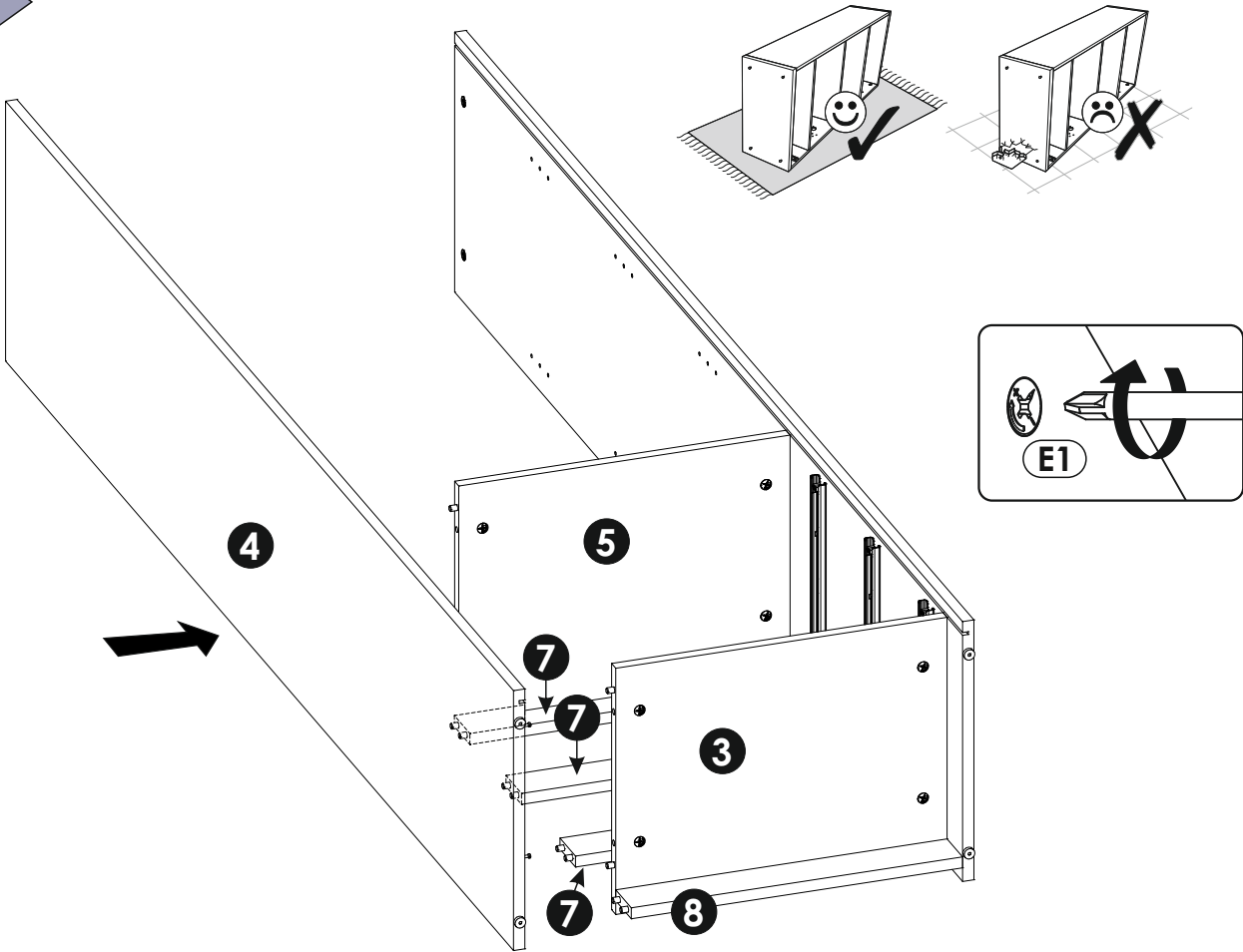
6 ▶



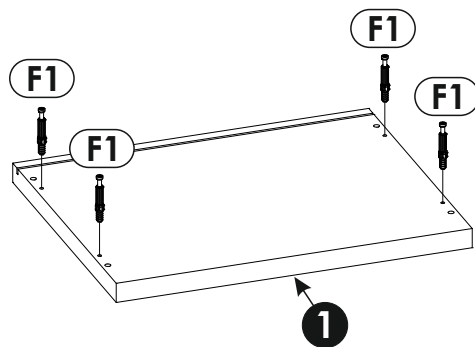
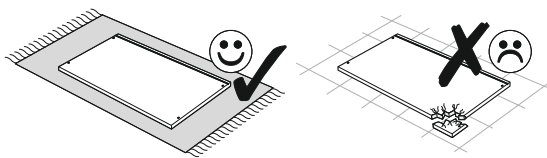
7 ▶



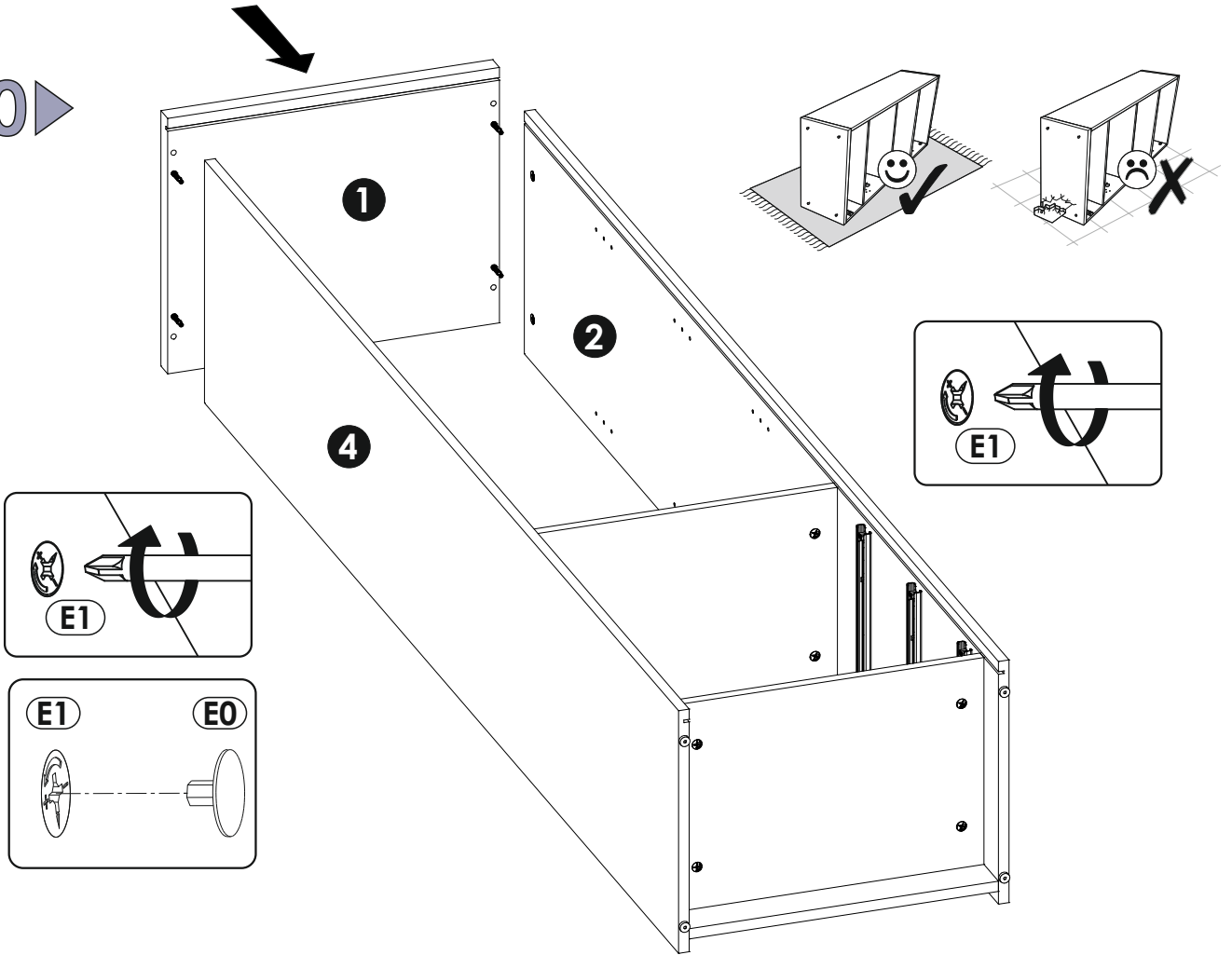
8 ▶



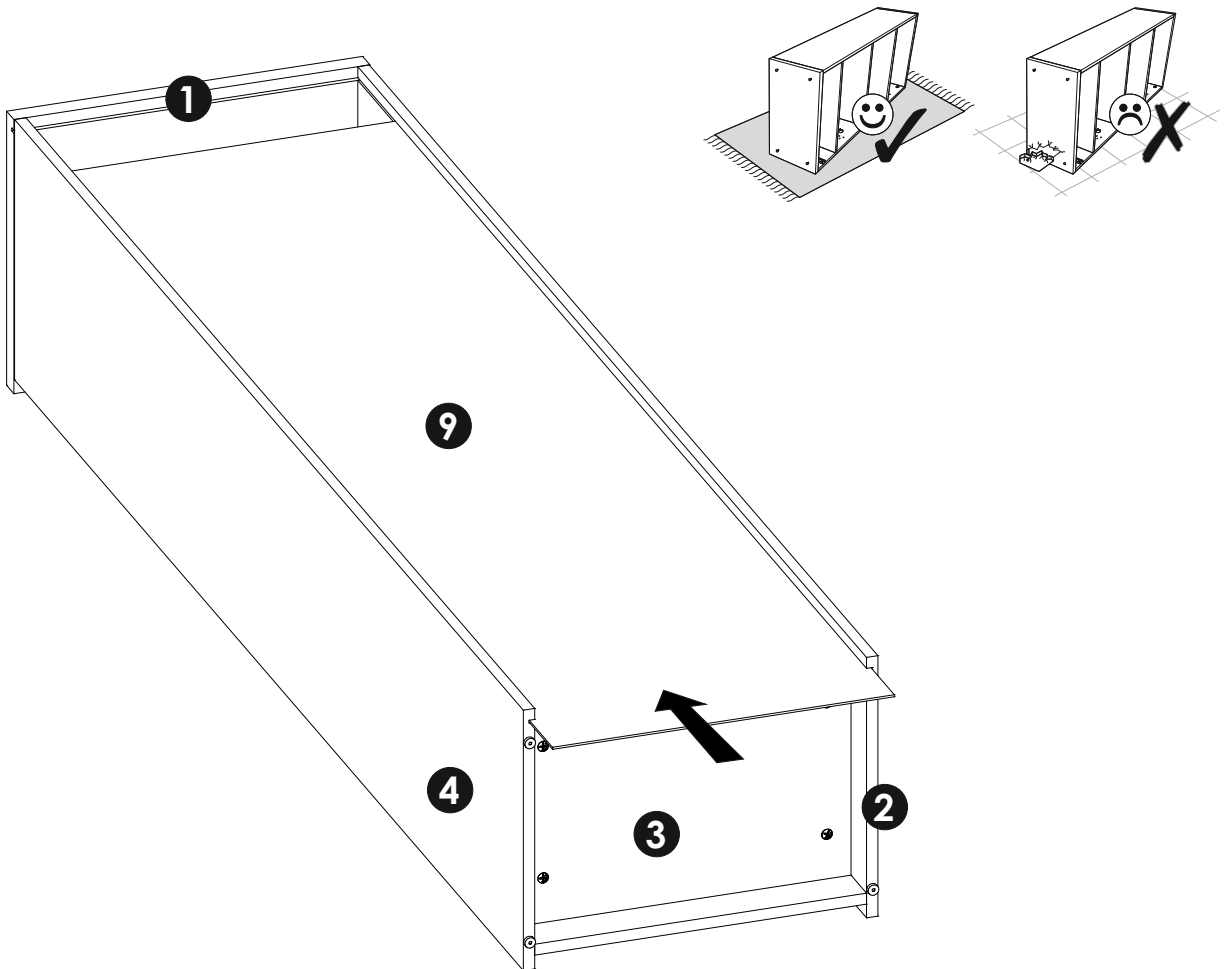
9 ▶



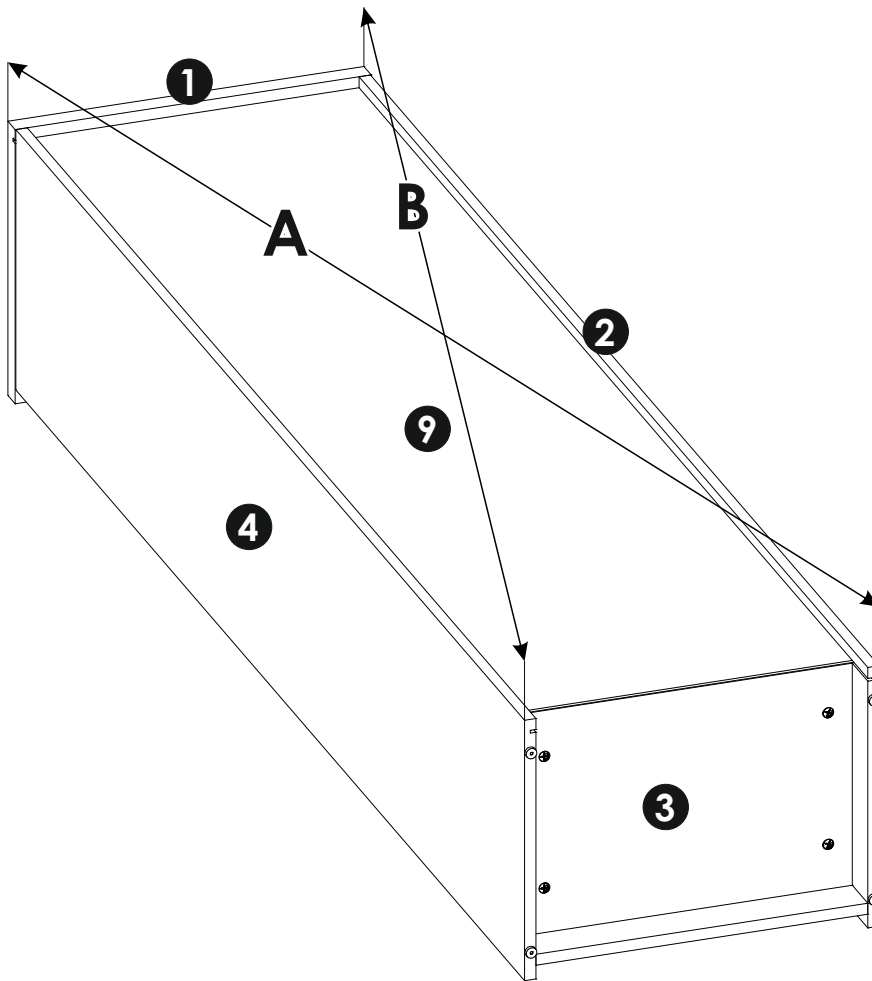
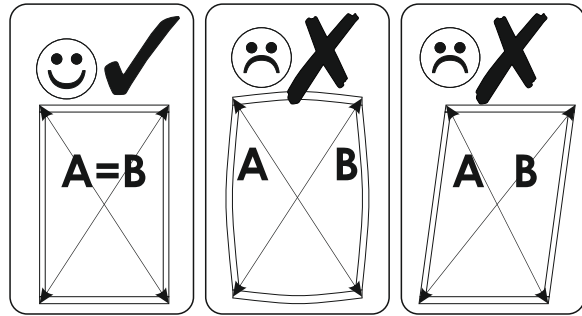
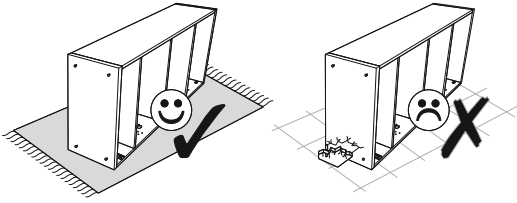
10 ▶



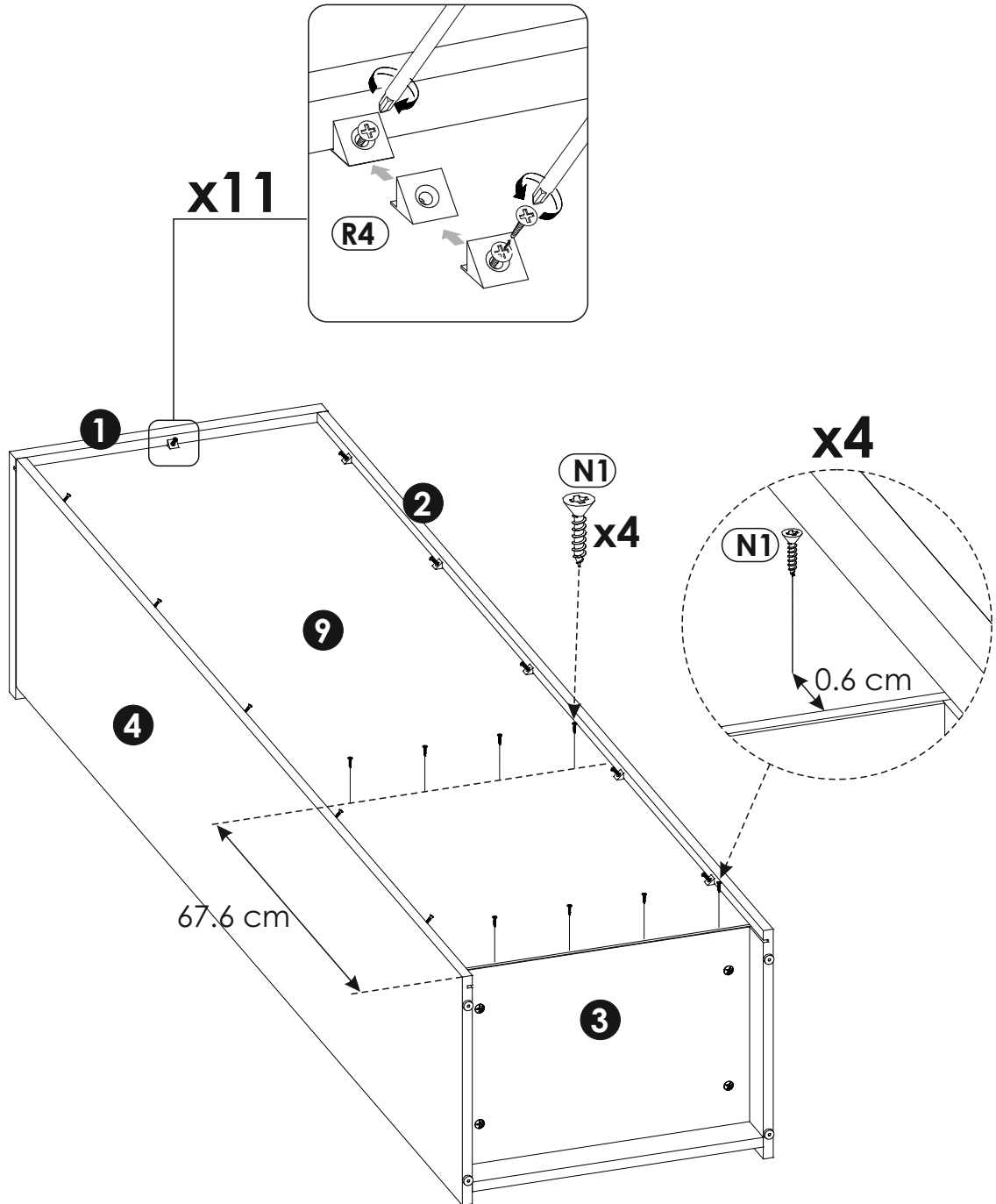
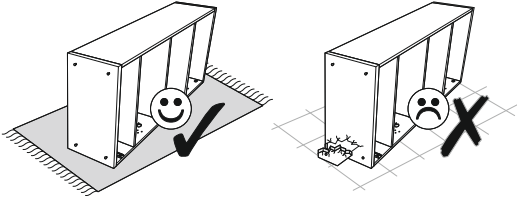
11 ▶



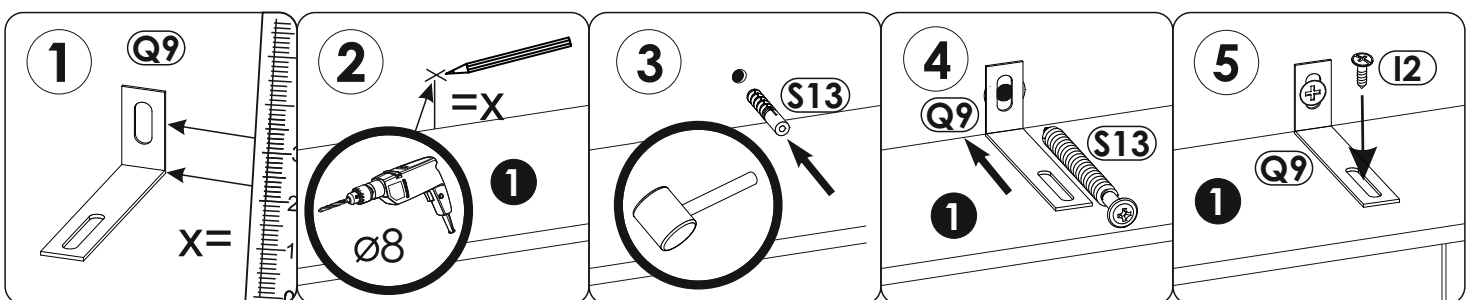
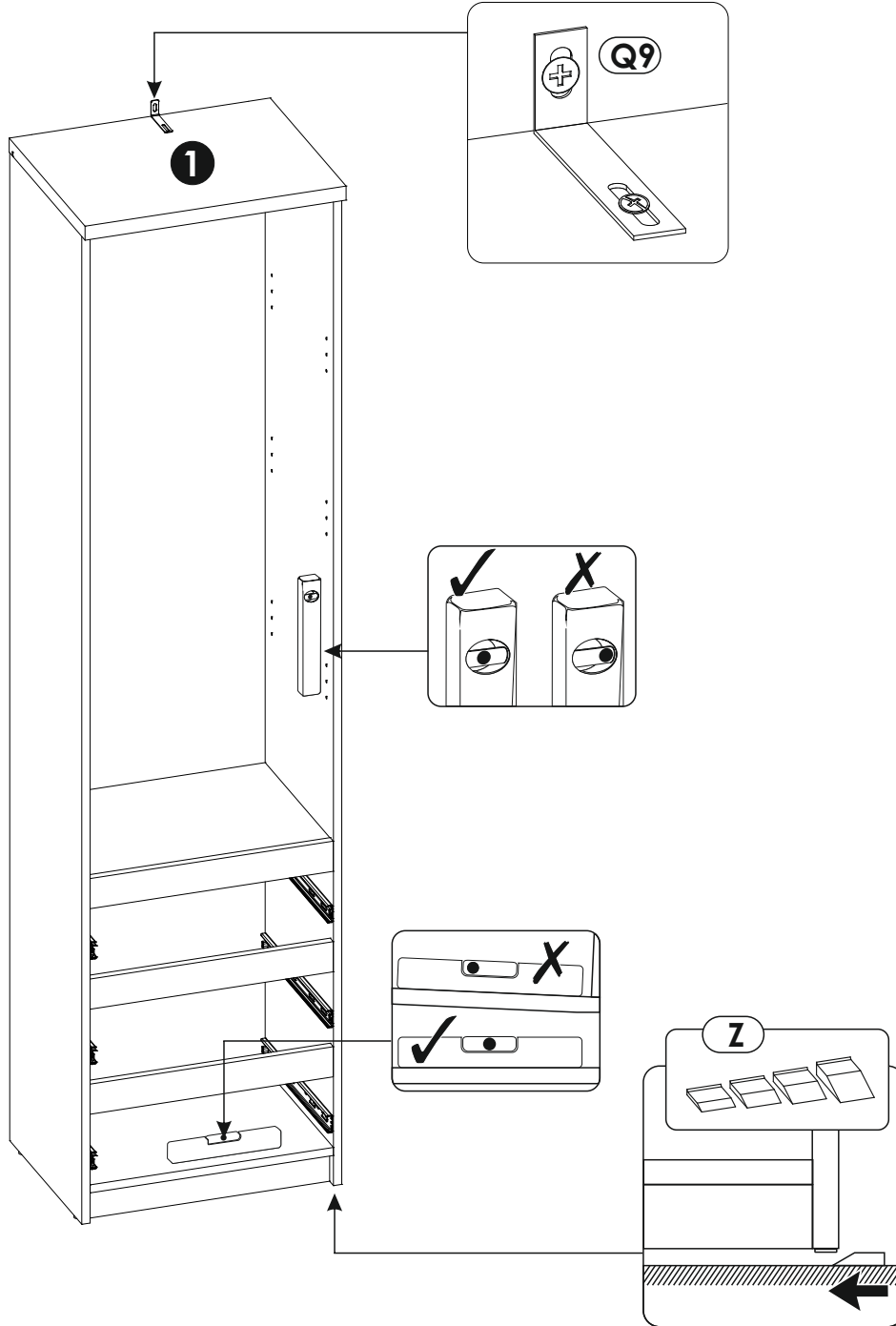
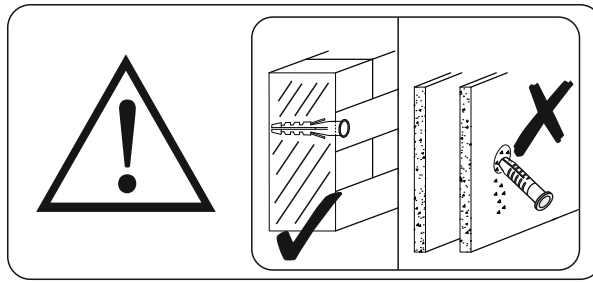
12▶



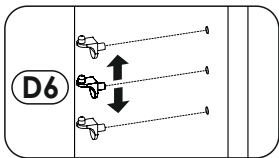
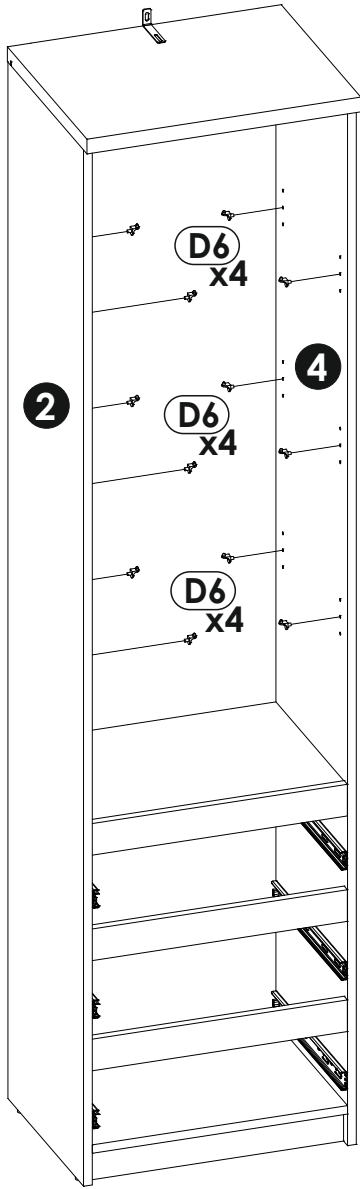
13▶



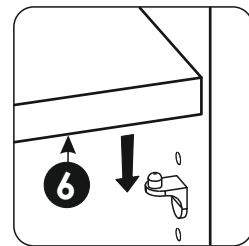
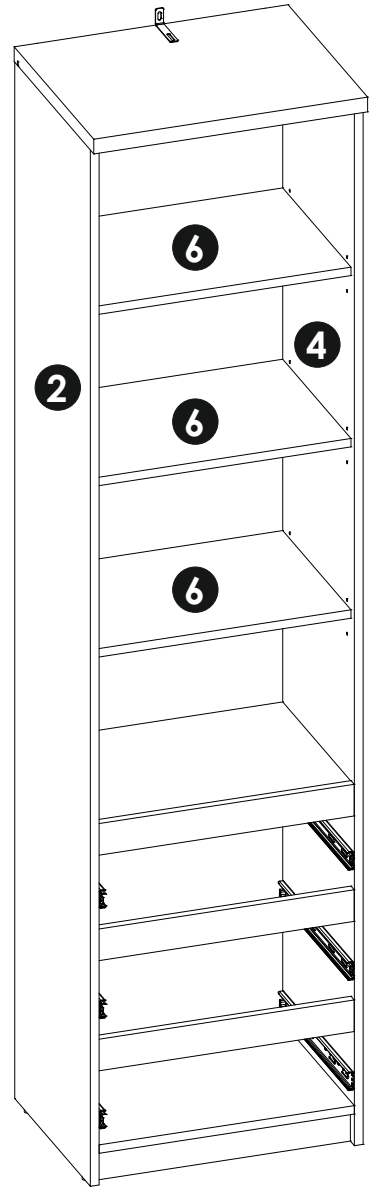
14 ▶



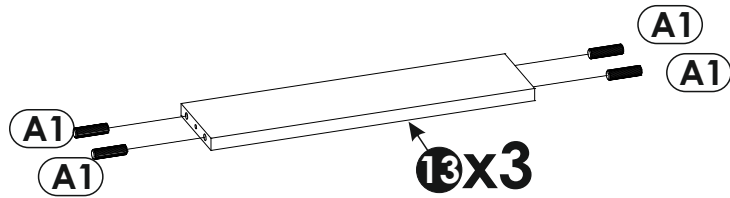
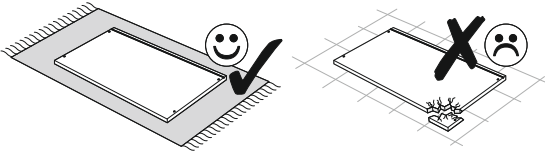
15▶



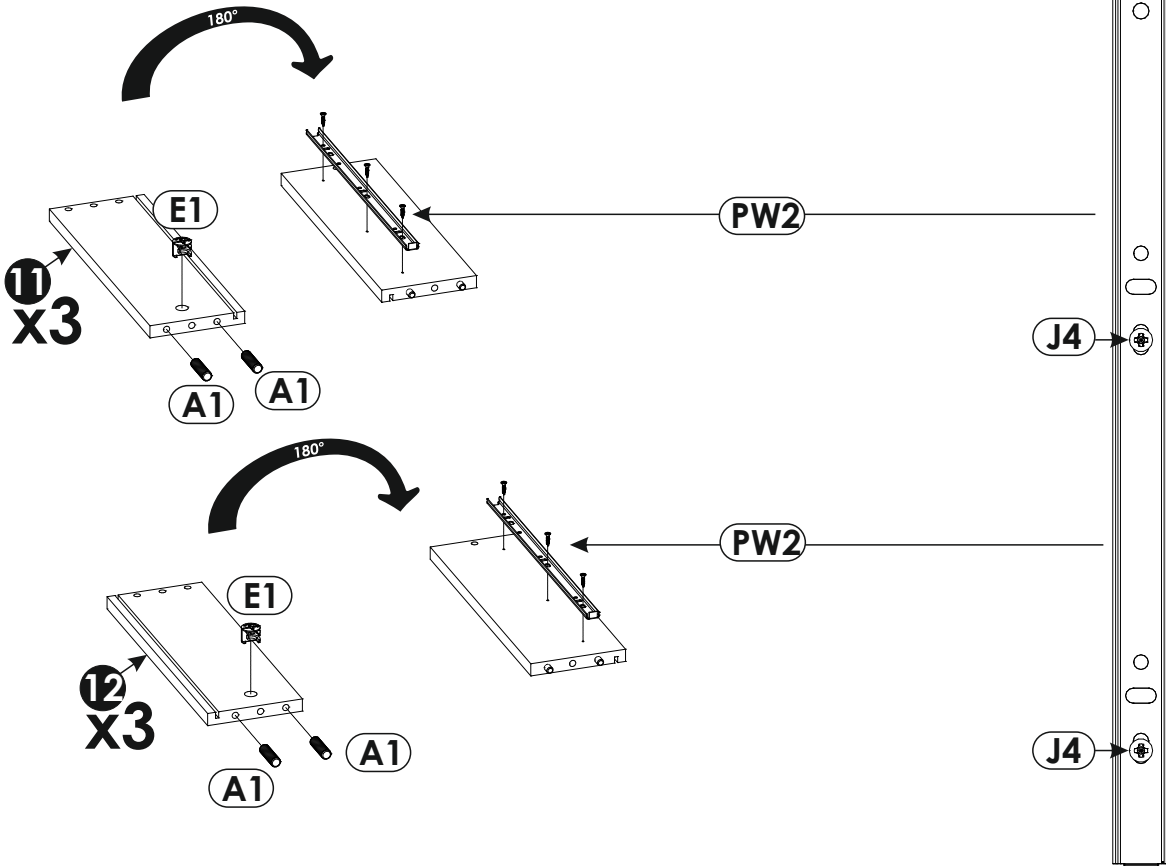
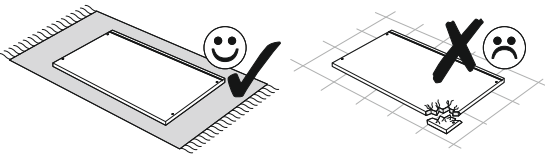
16▶



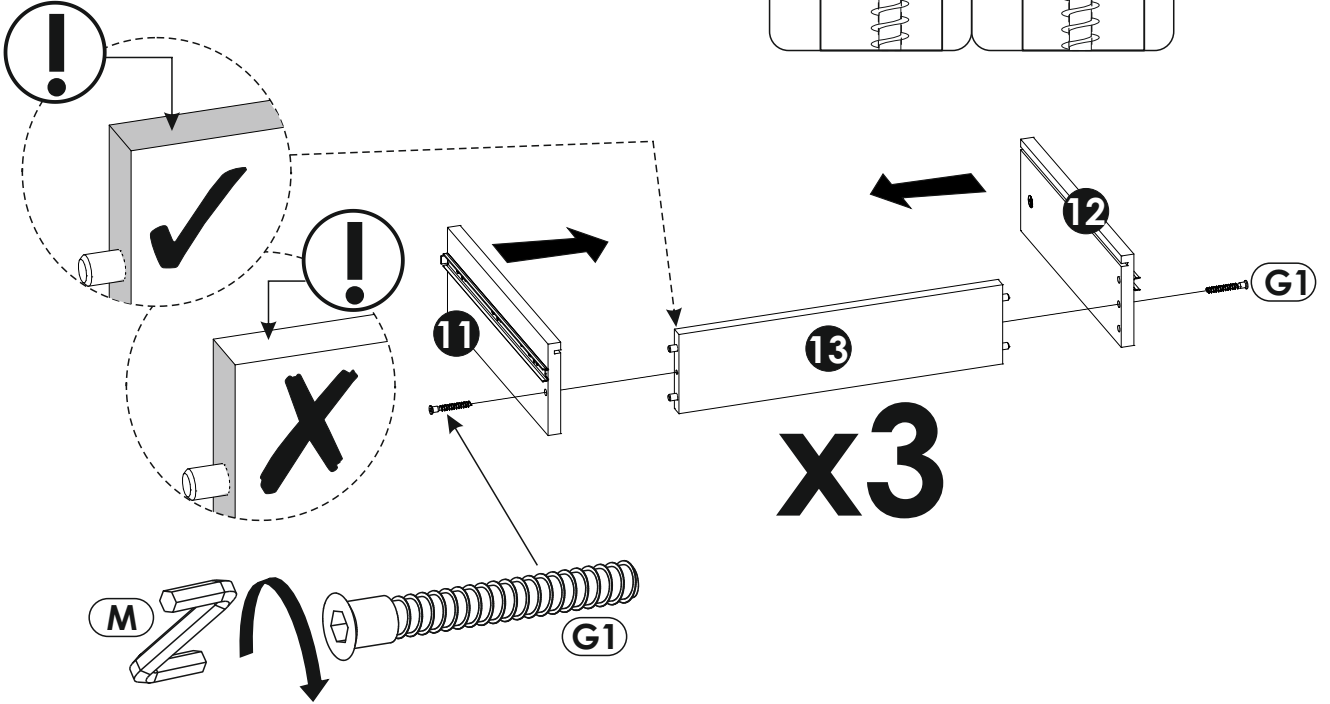
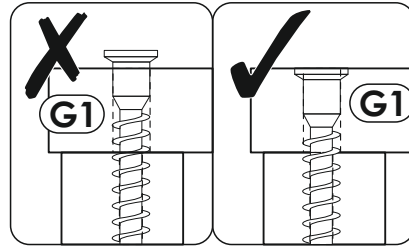
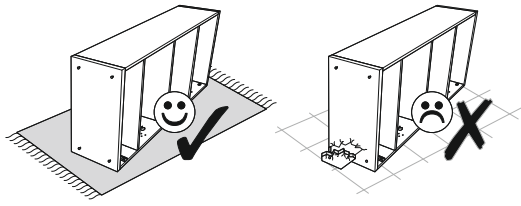
17▶



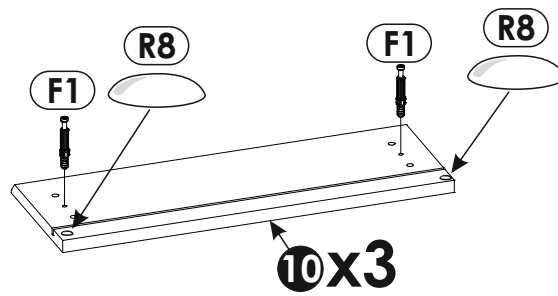
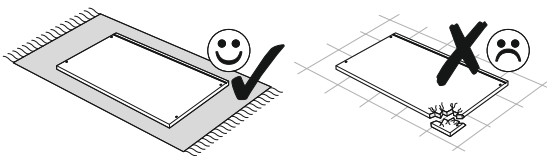
18▶



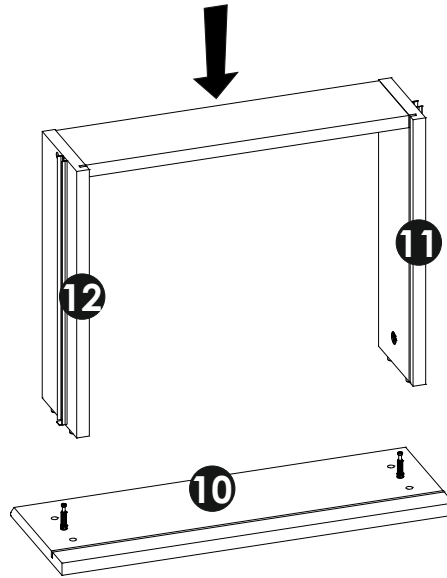
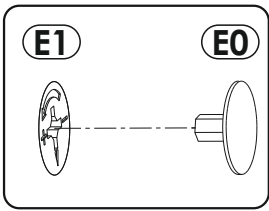
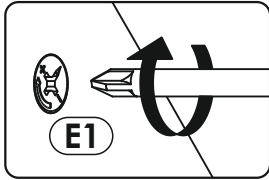
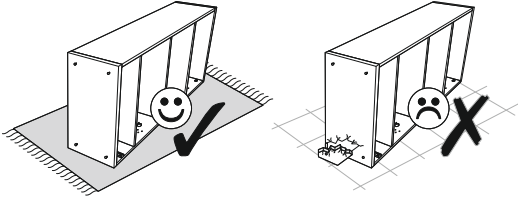
19▶



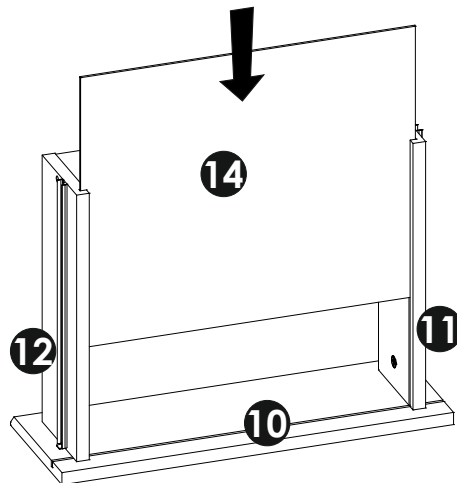
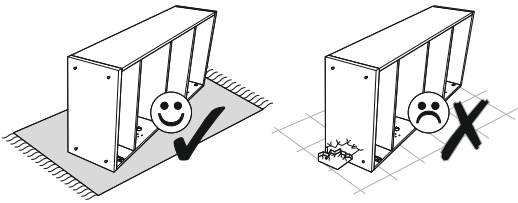
20▶

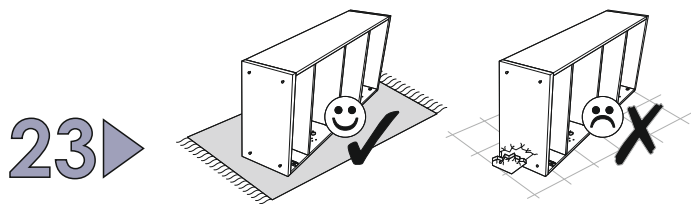


21▶

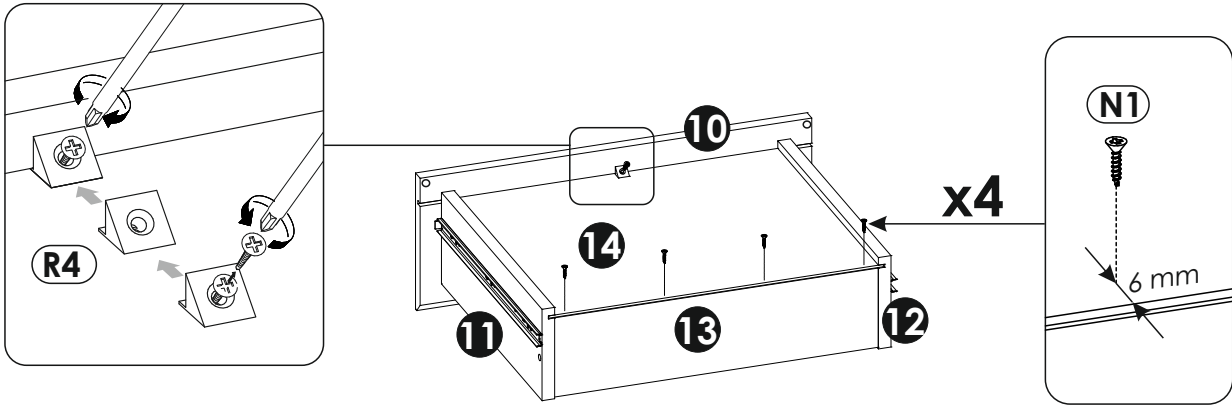


22▶

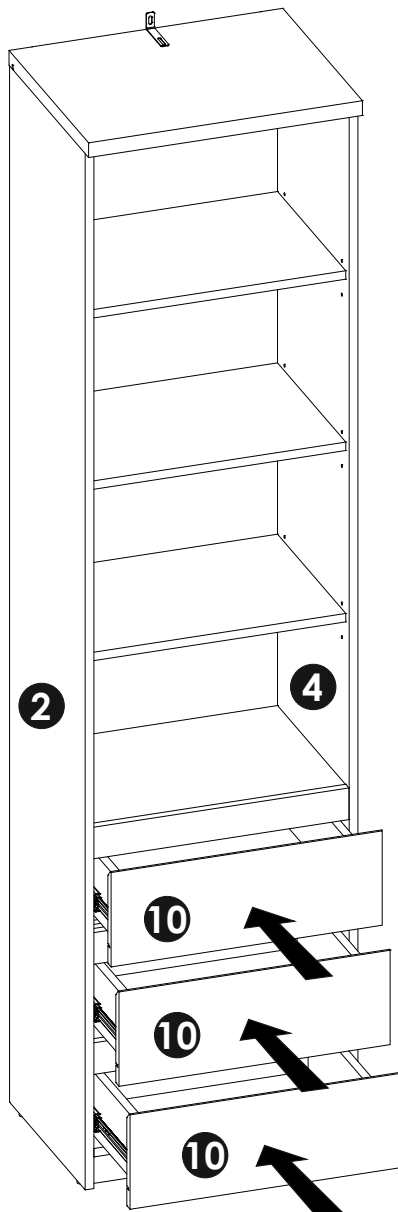


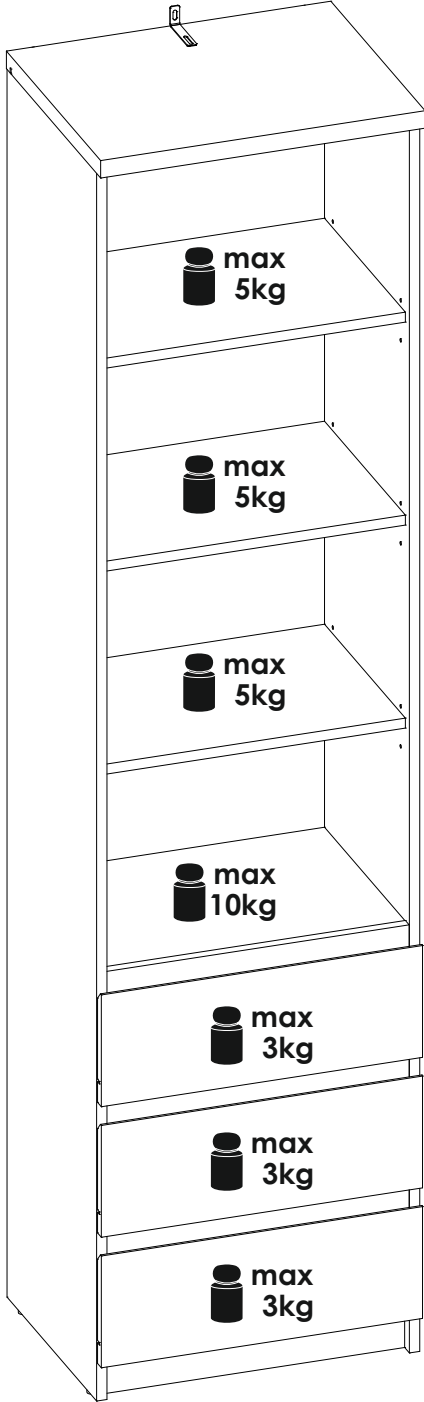


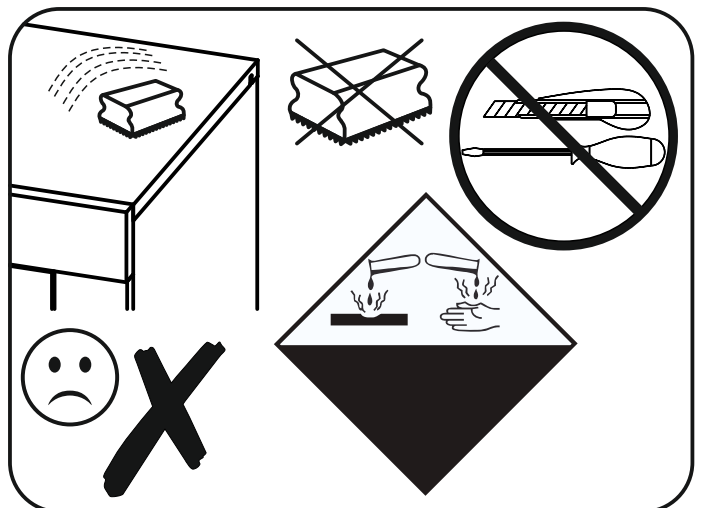
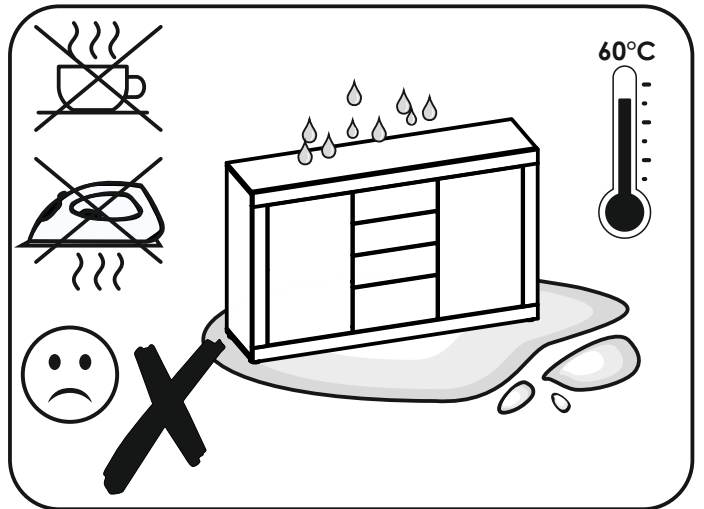
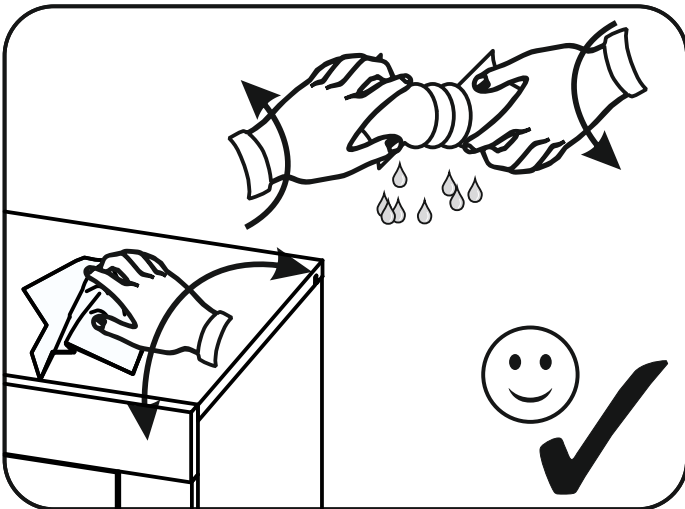
x3



24 ▶

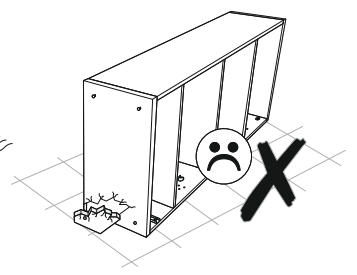
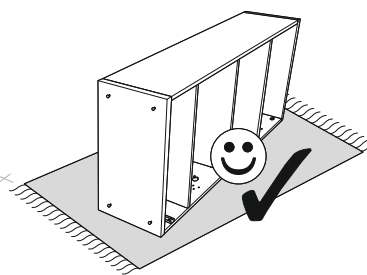
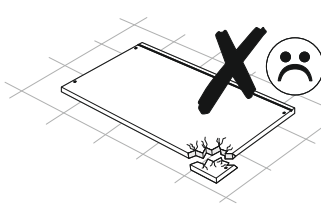
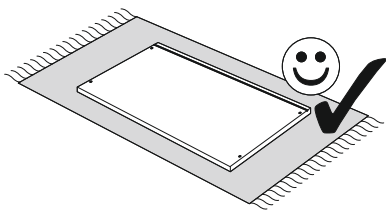
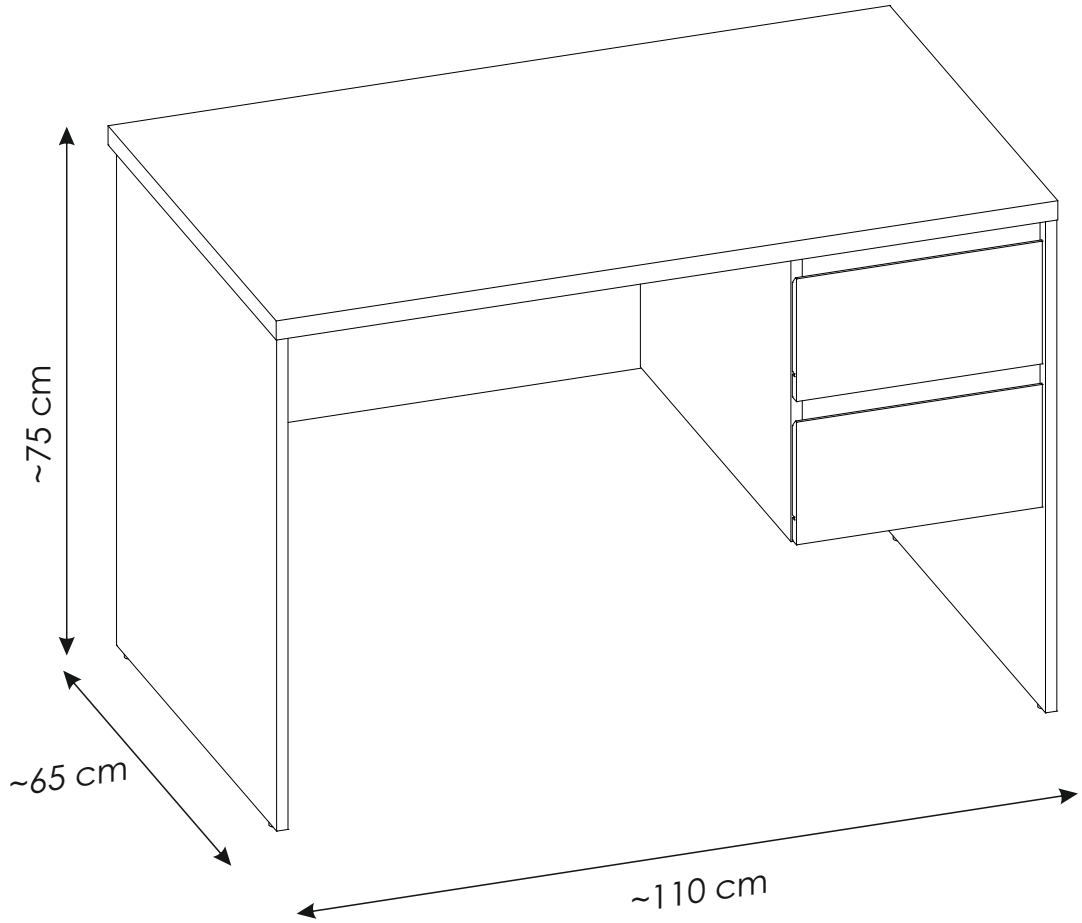
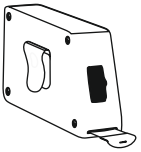
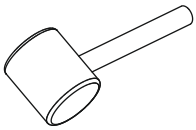
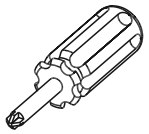
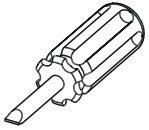


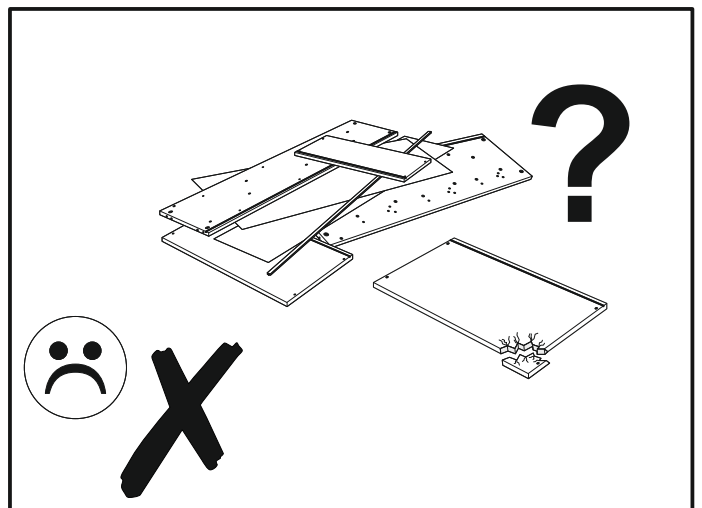
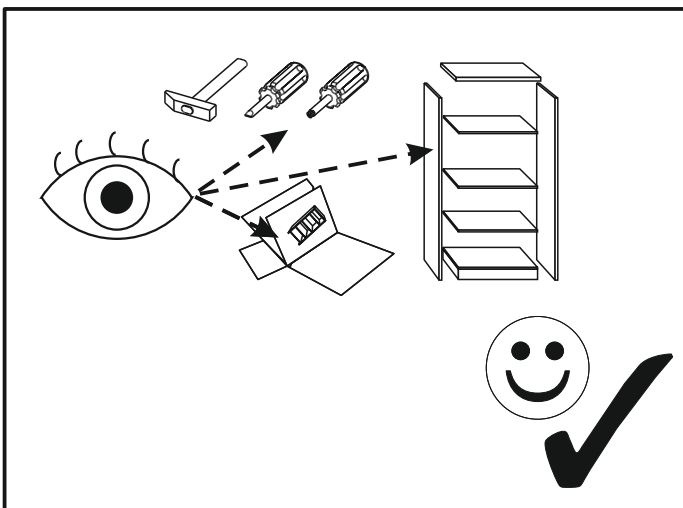
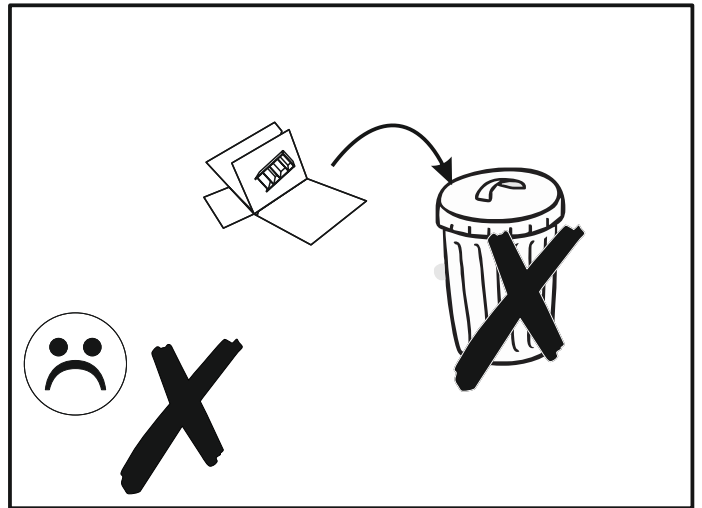
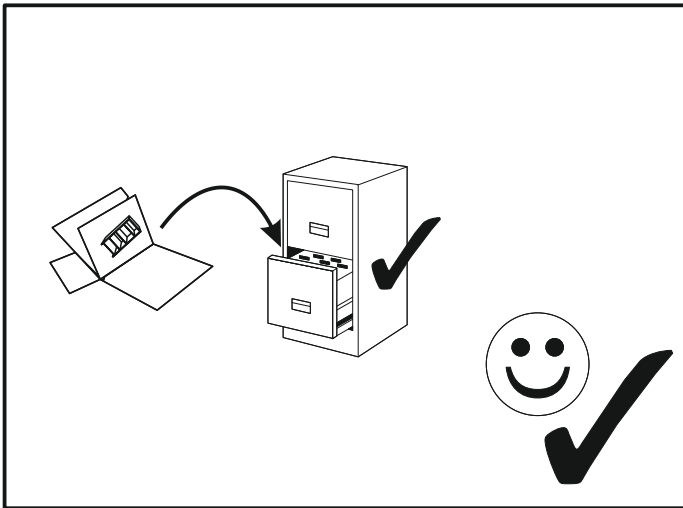
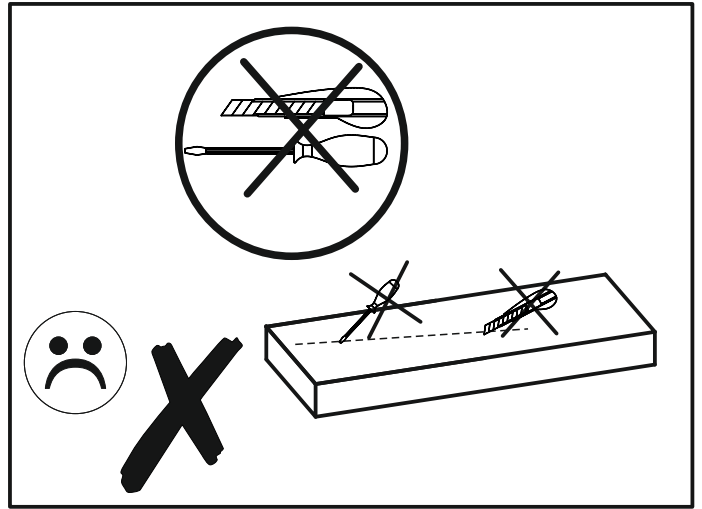
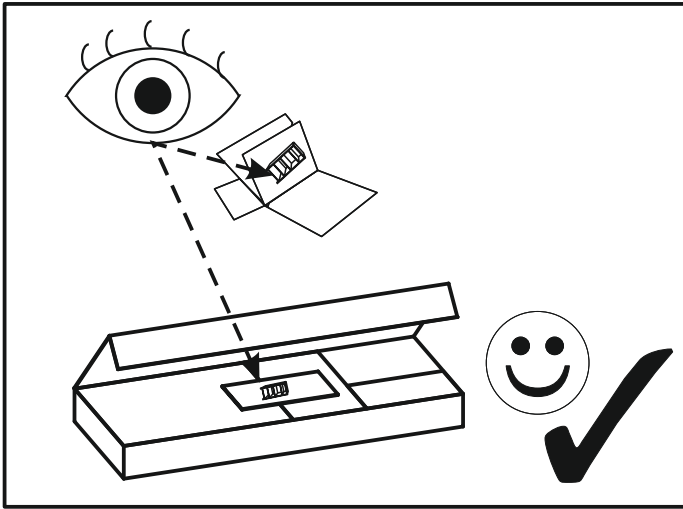


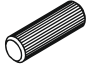

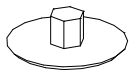

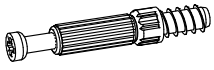

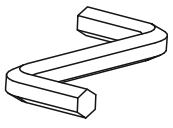
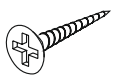
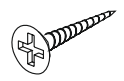

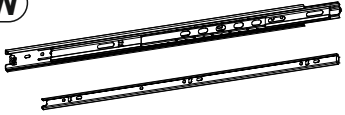
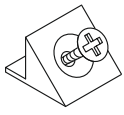
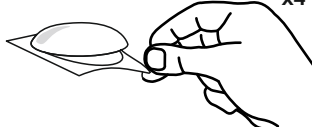


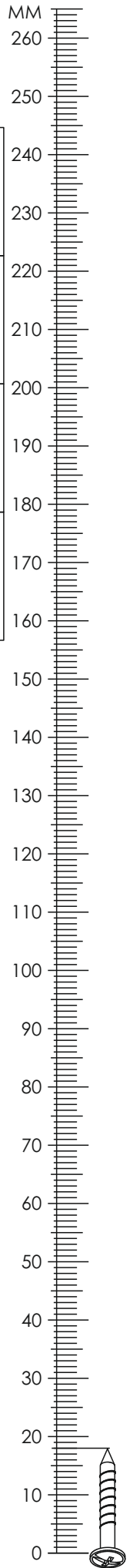


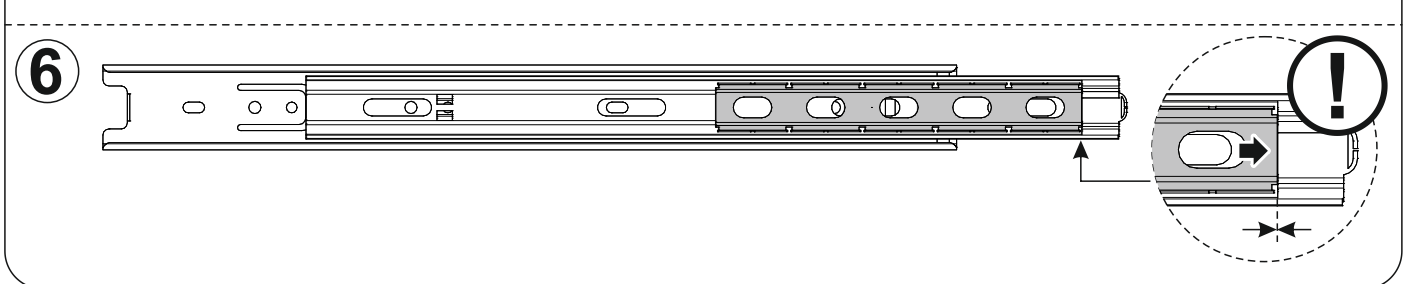
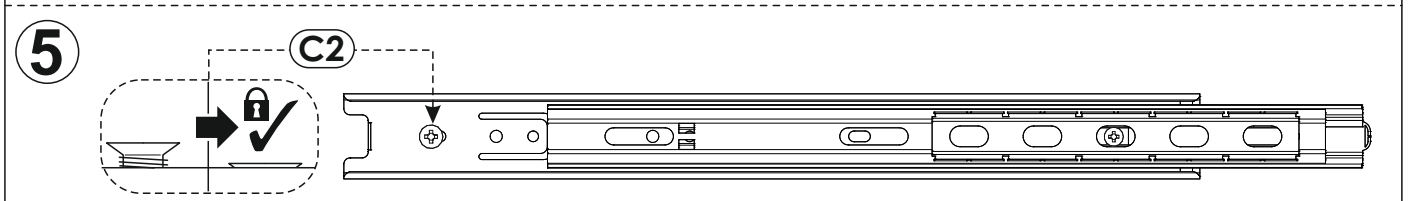
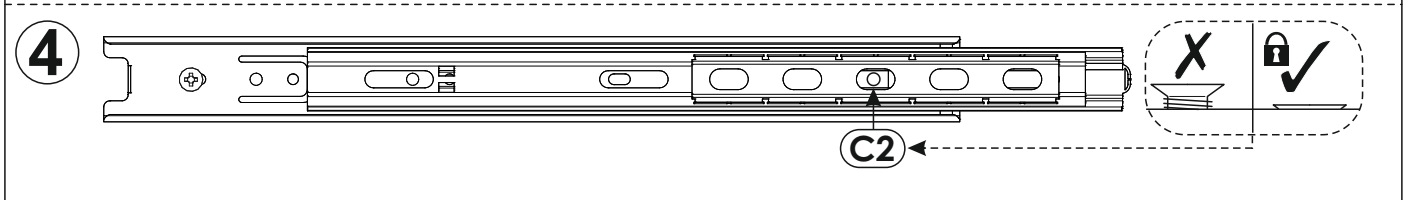
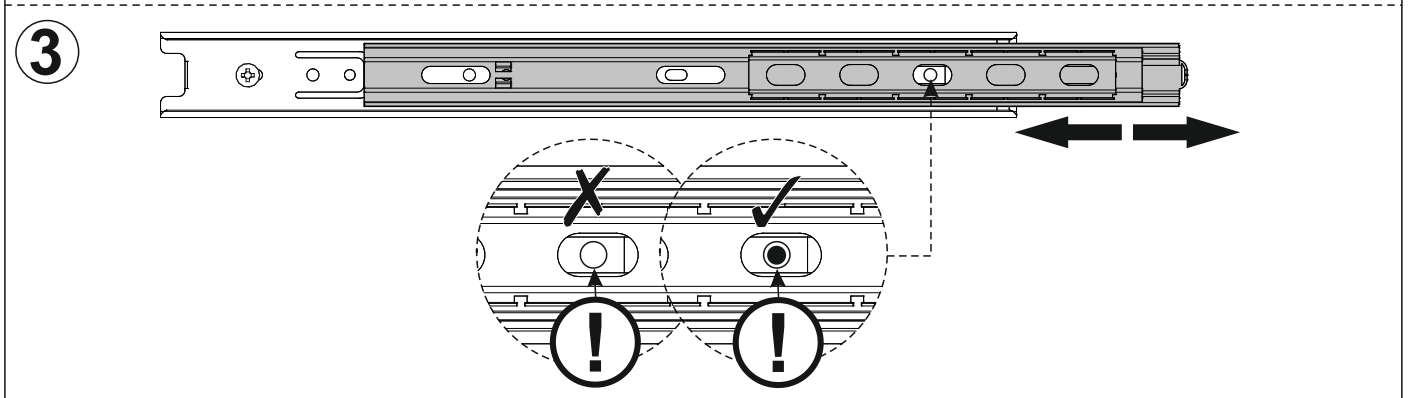
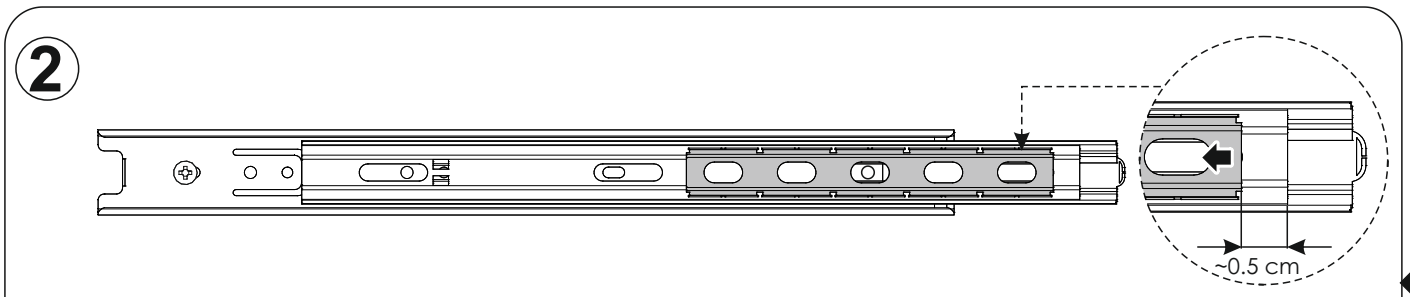
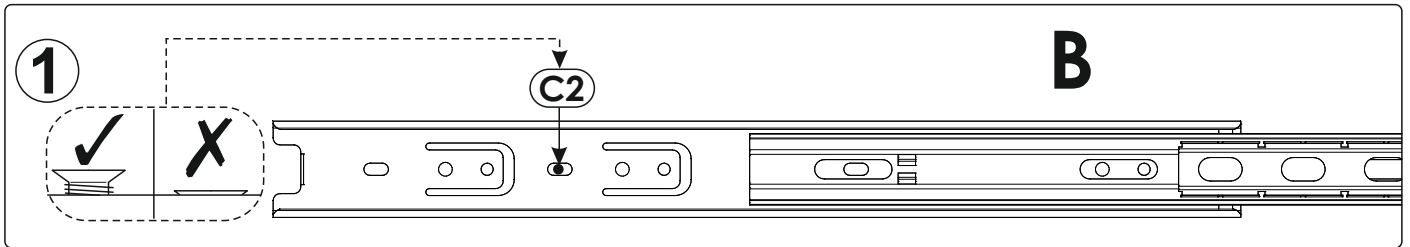
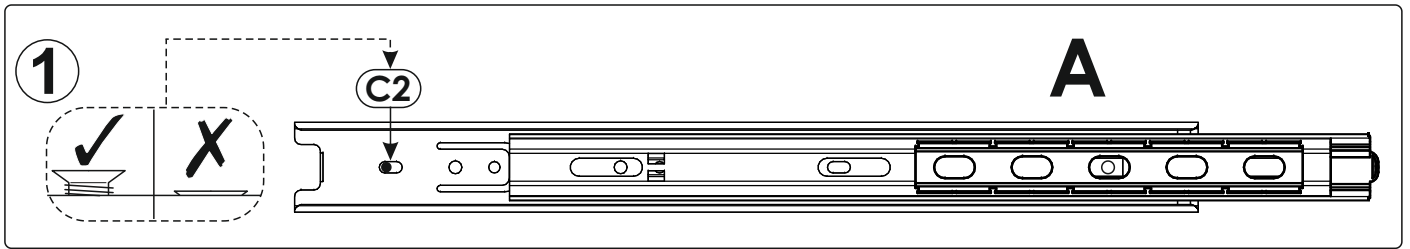
80 min

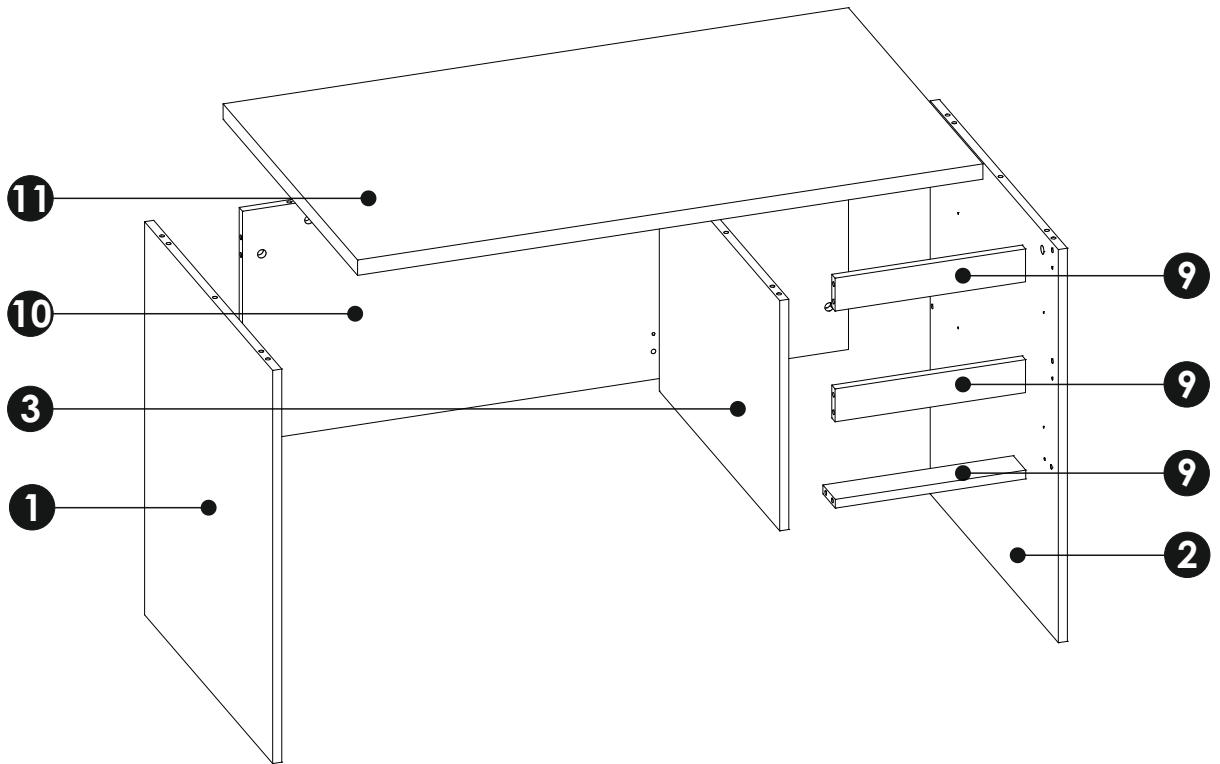
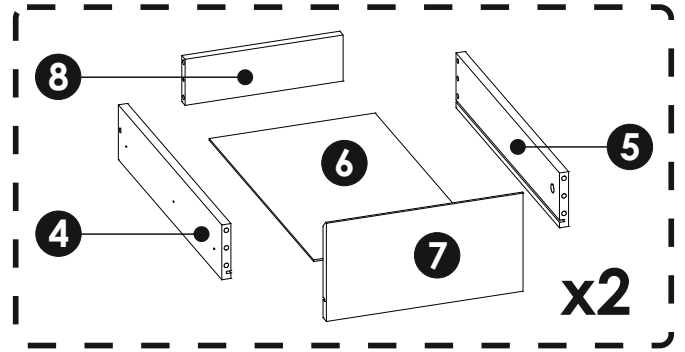
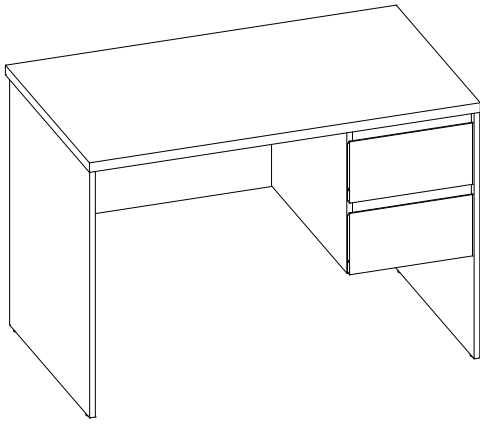




A1 8 x 35 mm x40 	C2 5 x 13 mm x8 	E0 Ø16 x10 
E1 15 x 12 mm x25 	F1 6 x 34 mm x25 	G1 7 x 50 mm x4 
M x1 	N1 3 X 16 mm x10 	N2 3,5 X 16mm x12 
O2 x4 	PW x4 	R4 x2 
R8 x4 		

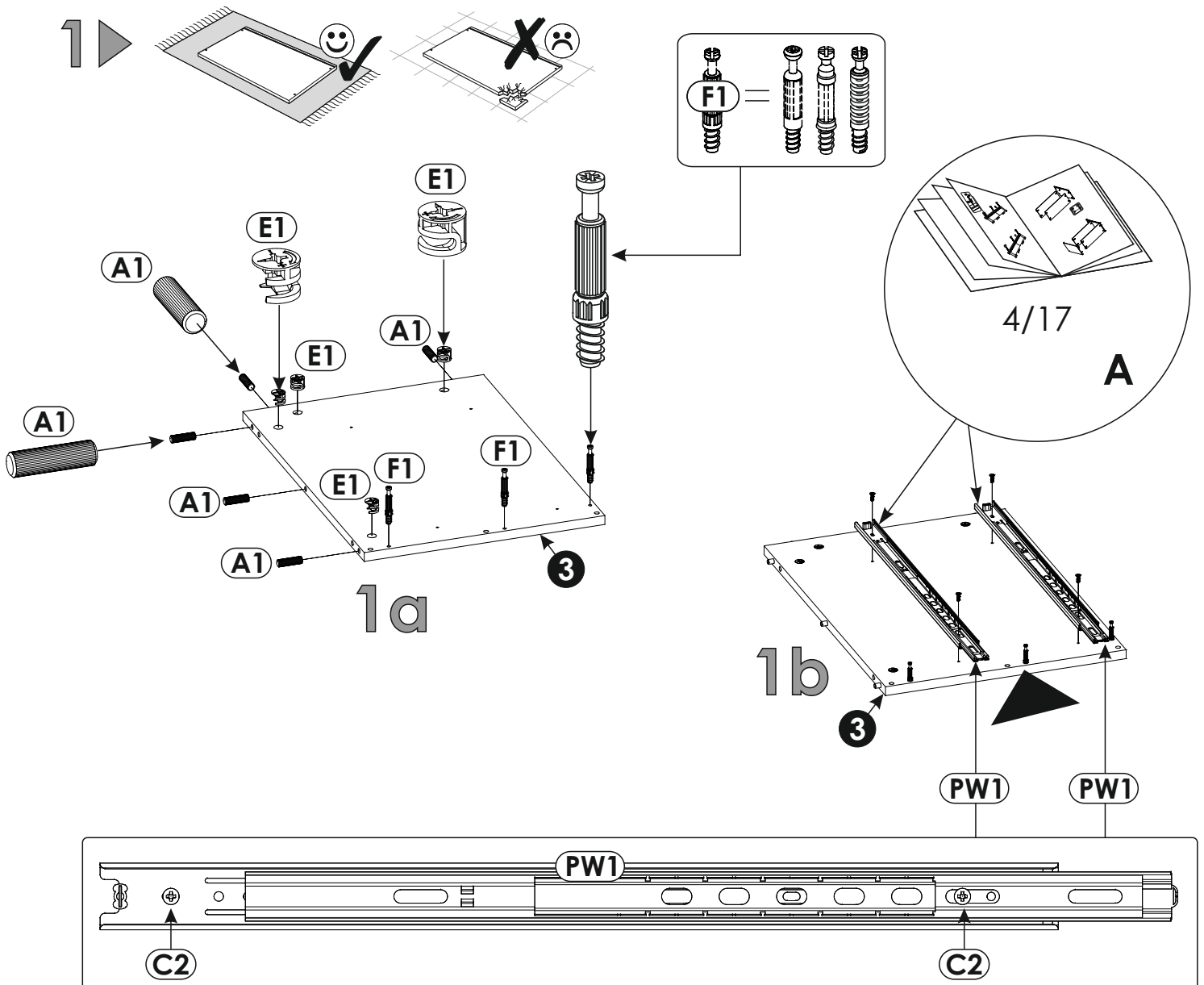
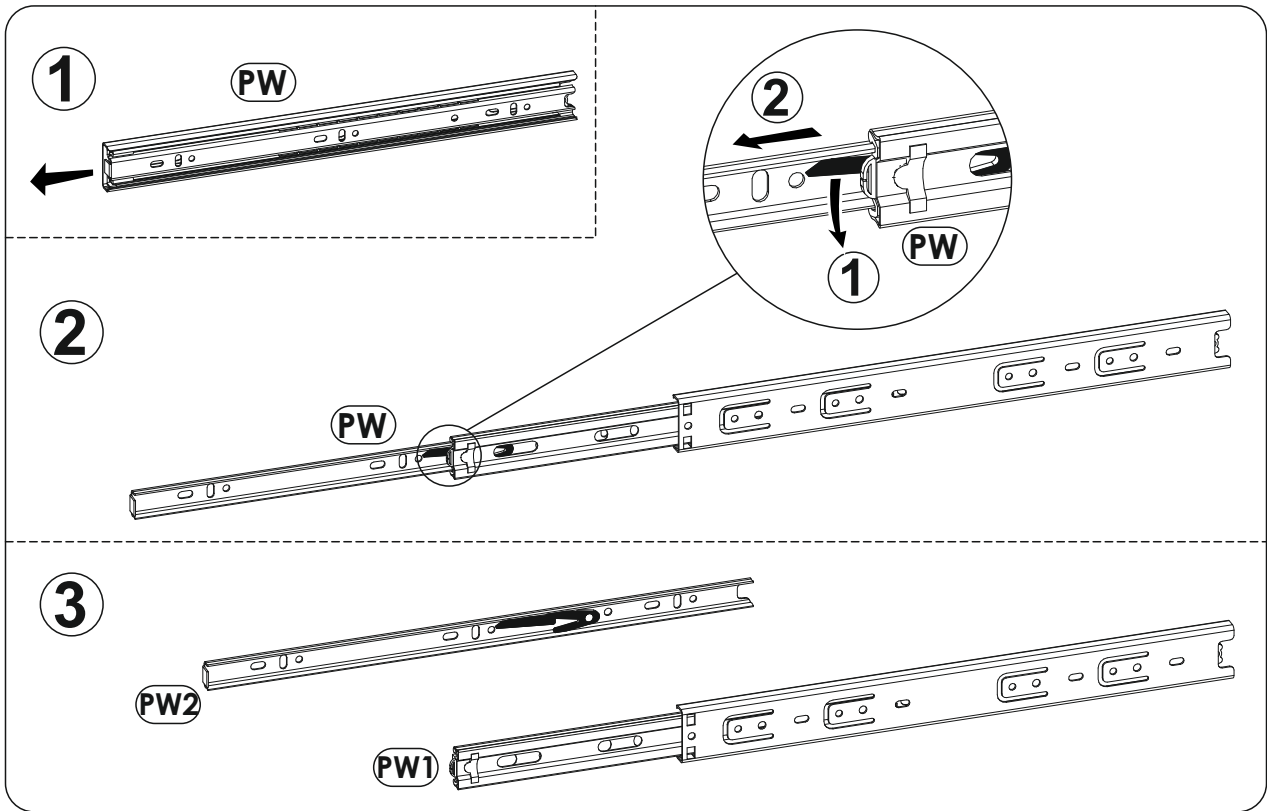


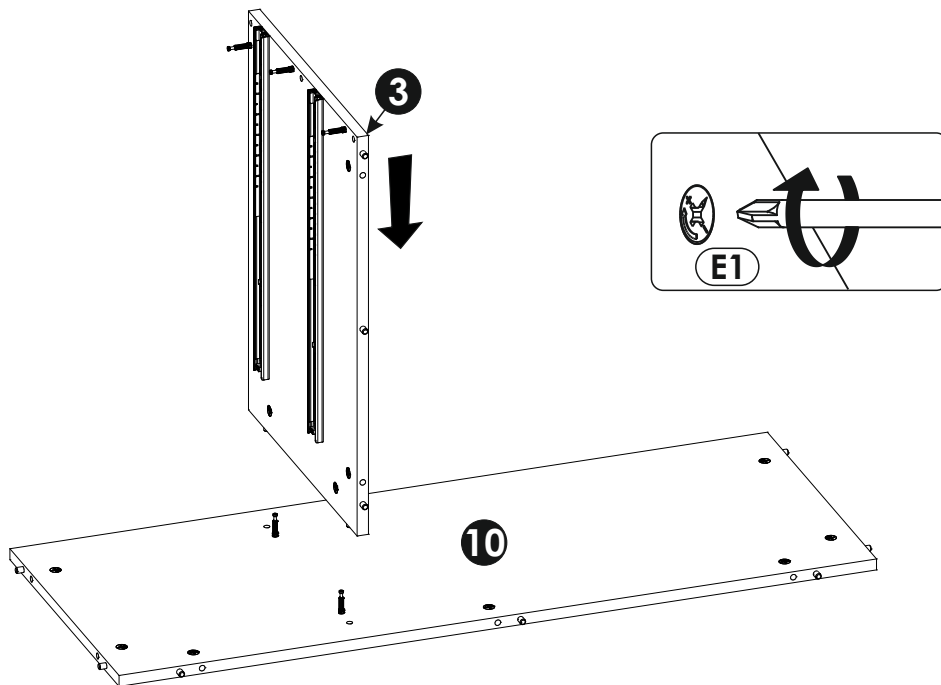
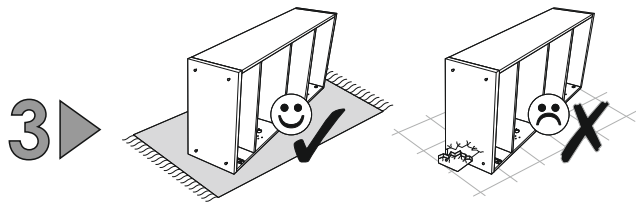
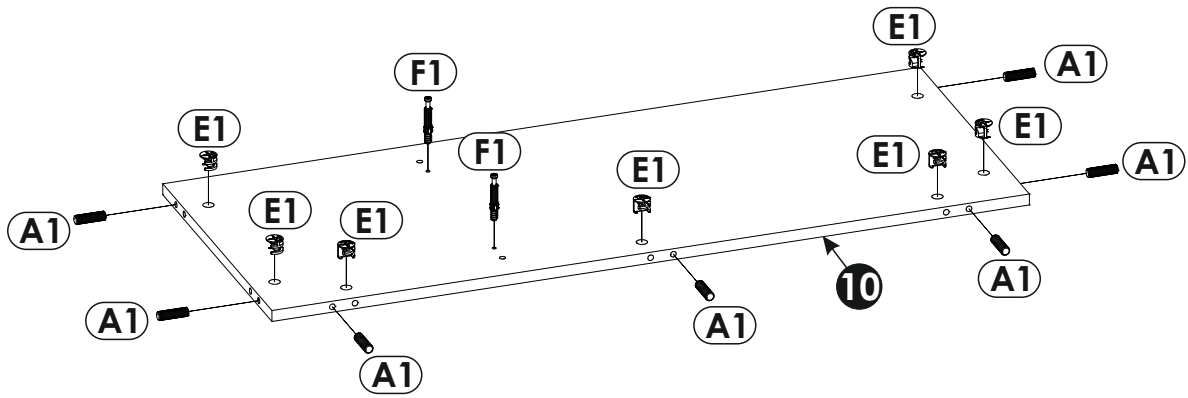
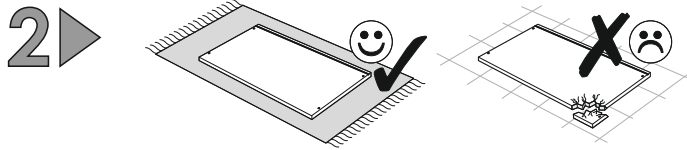
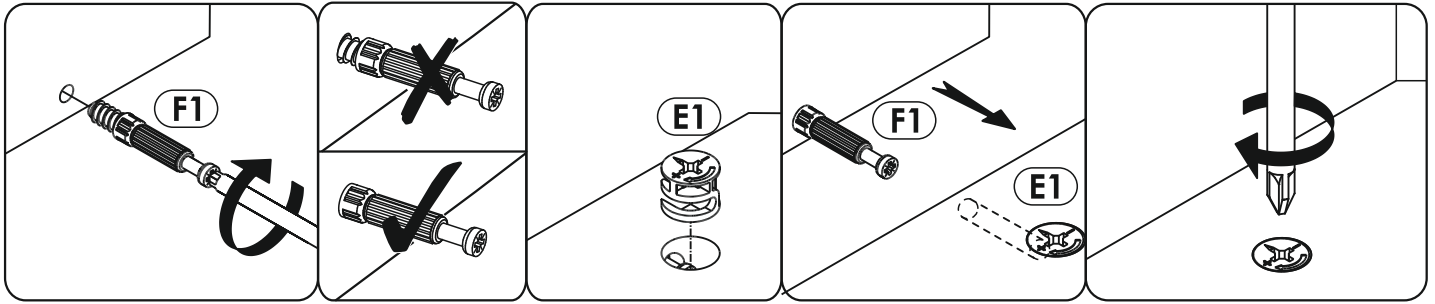




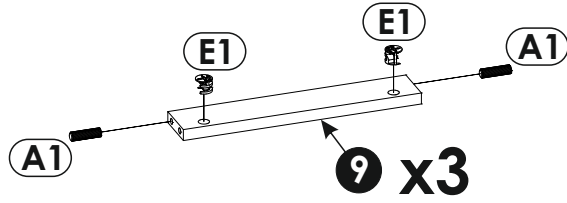
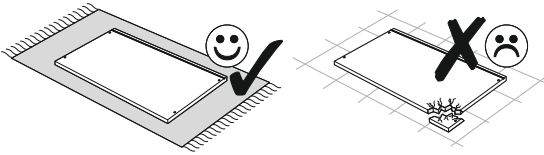
1	717	619	16	x1	1/2
2	717	619	16	x1	1/2
3	420	582	16	x1	1/2
4	500	100	16	x2	1/2
5	500	100	16	x2	1/2
6	292	505	3	x2	1/2

7	346	179	16	x2	1/2
8	278	84	16	x2	1/2
9	335	60	16	x3	1/2
10	1066	422	16	x1	2/2
11	1100	650	28	x1	2/2

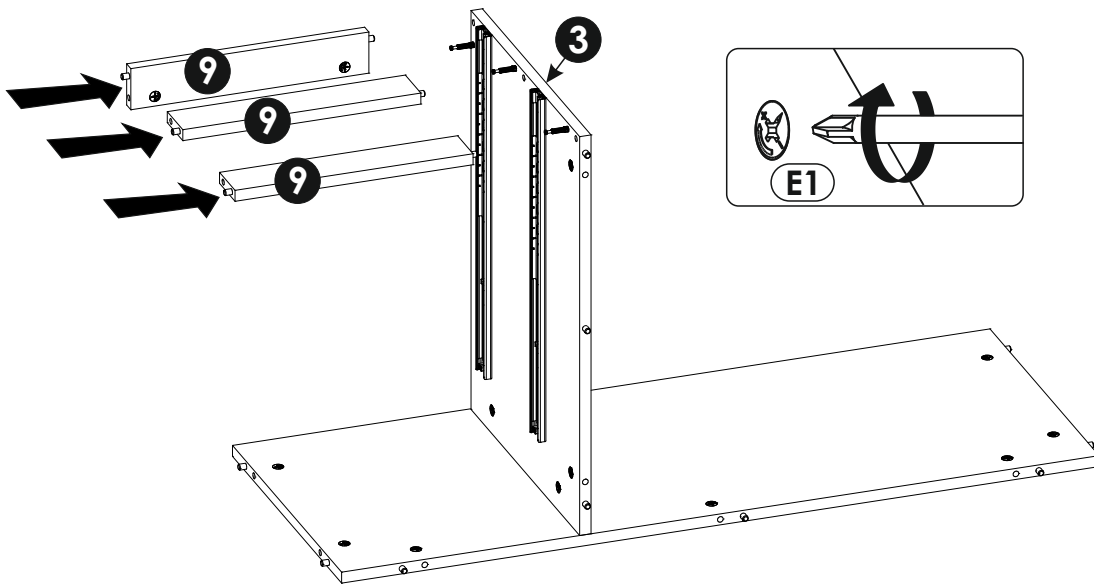
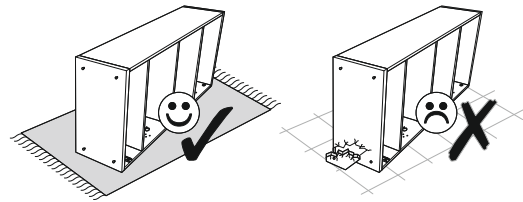


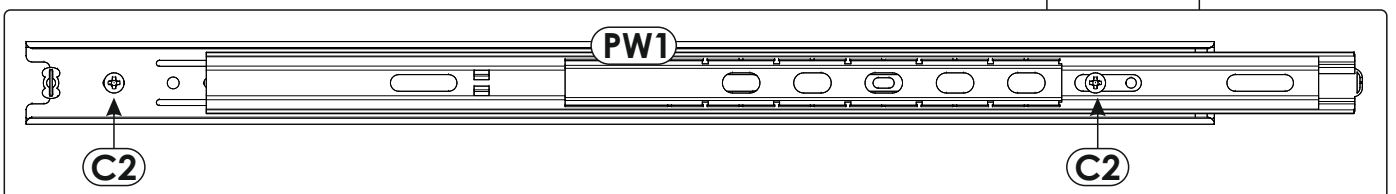
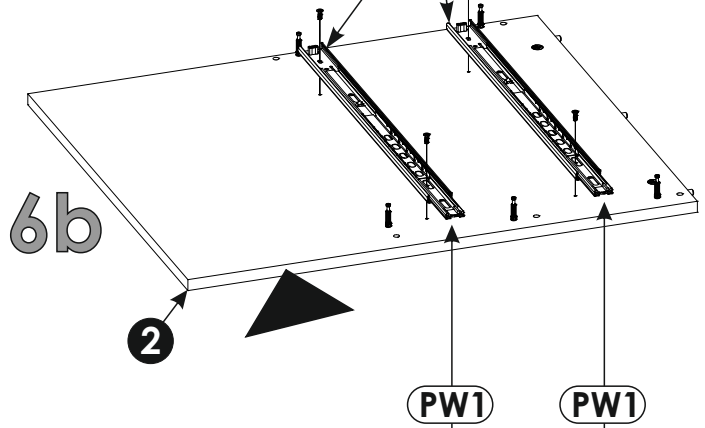
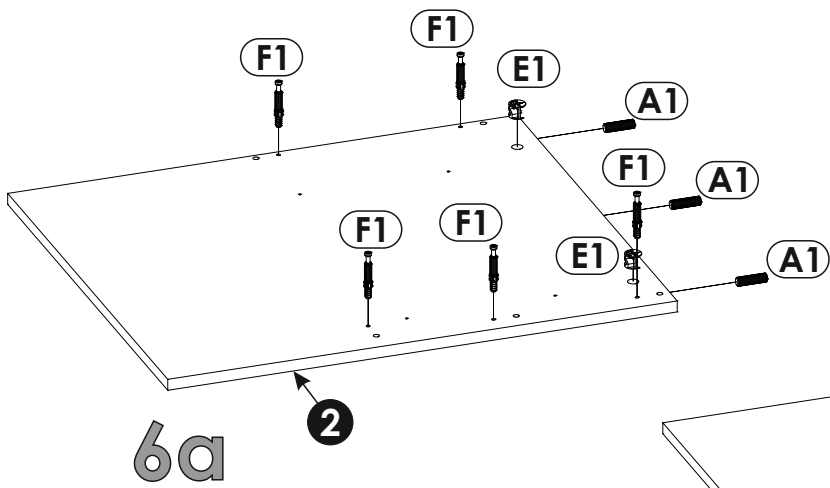
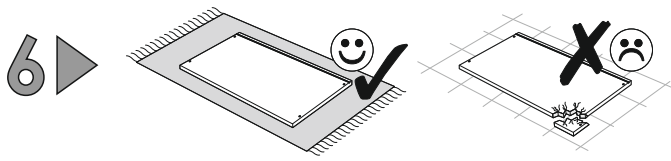
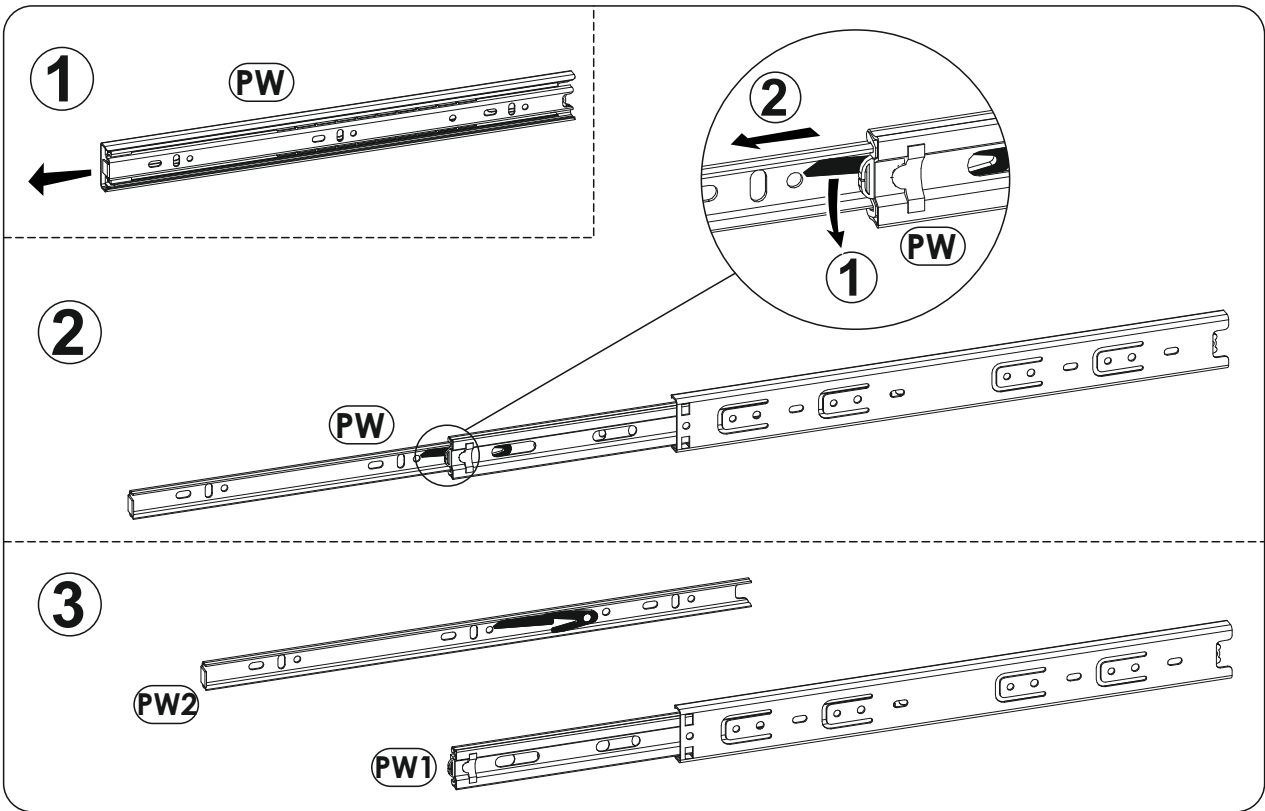


4 ▶

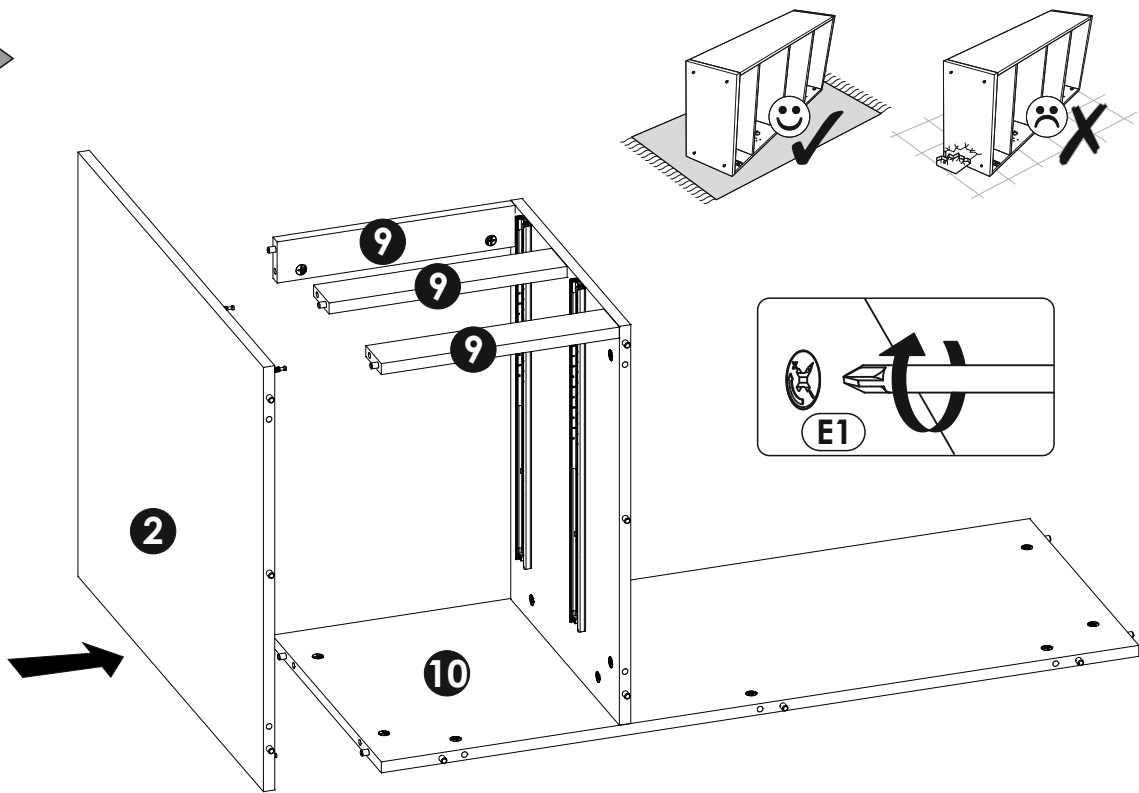


5 ▶

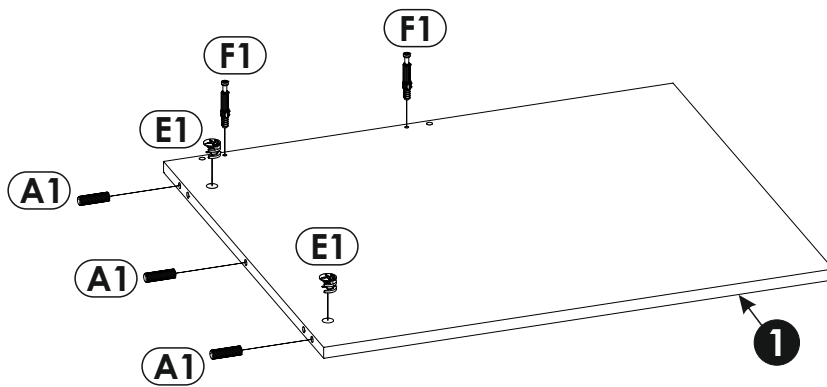
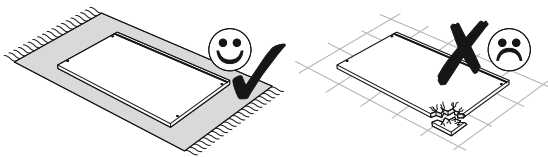




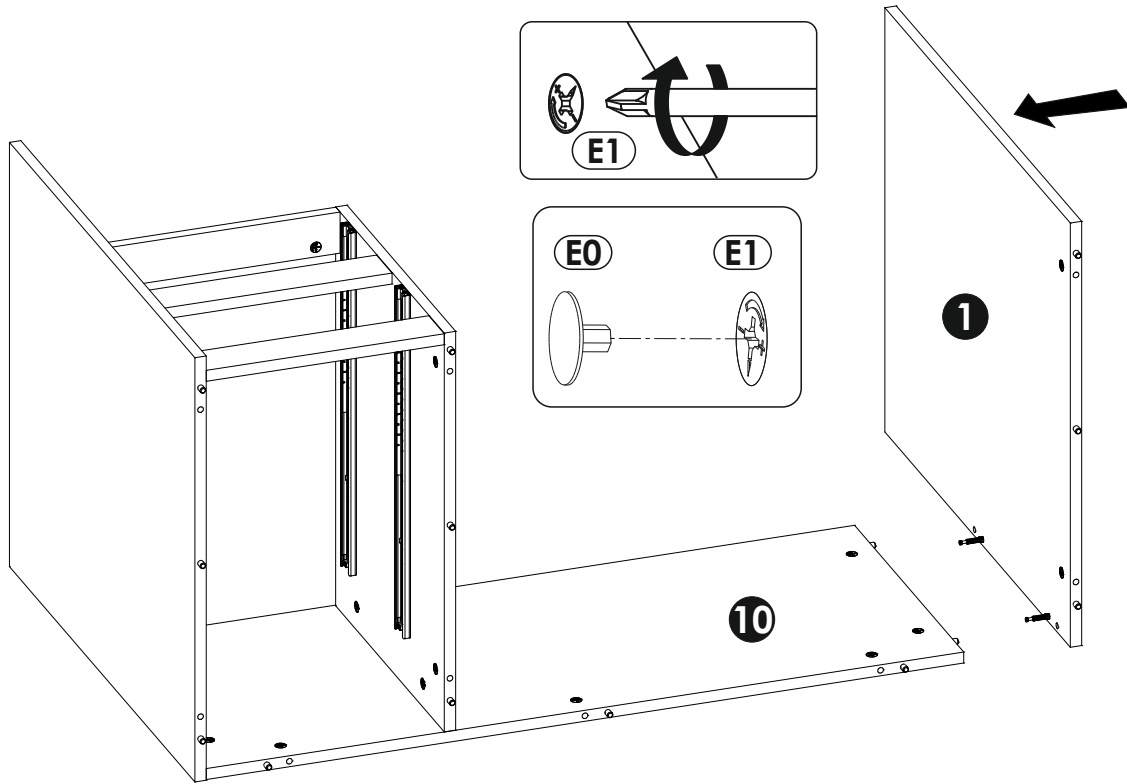
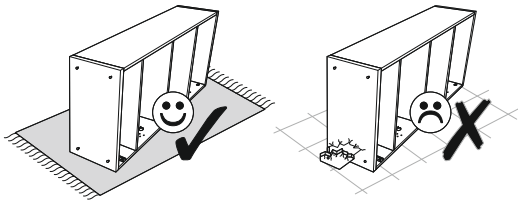
7 ▶



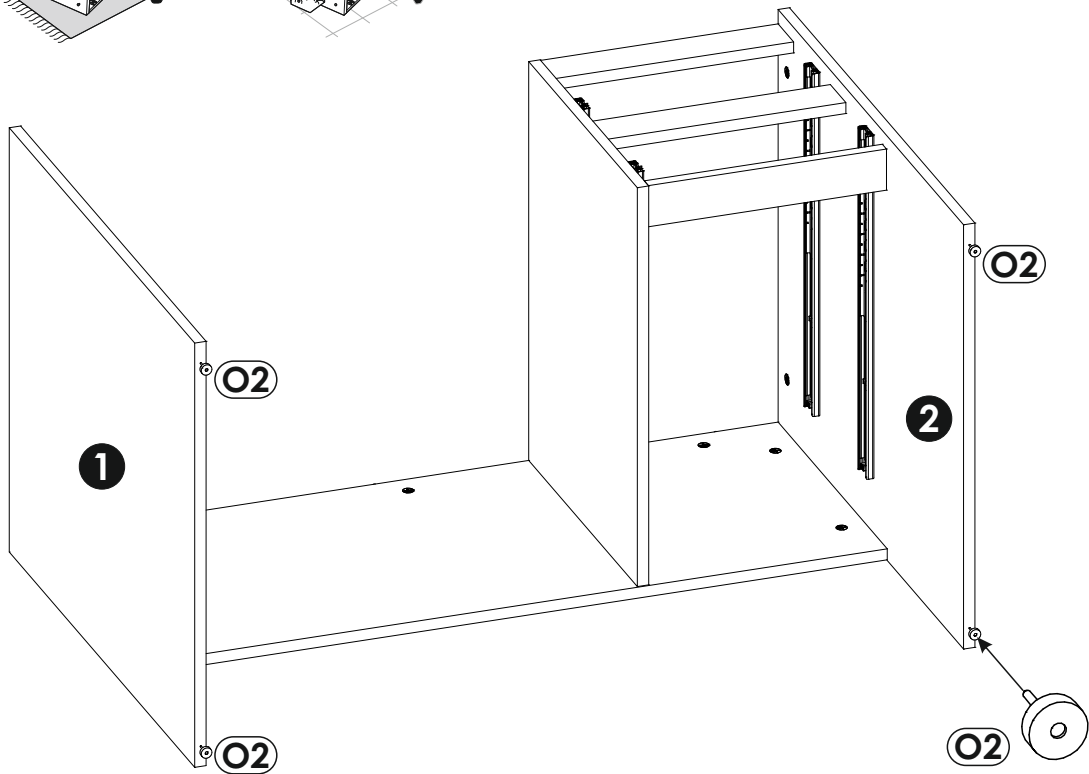
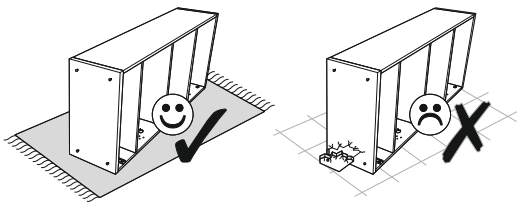
8 ▶



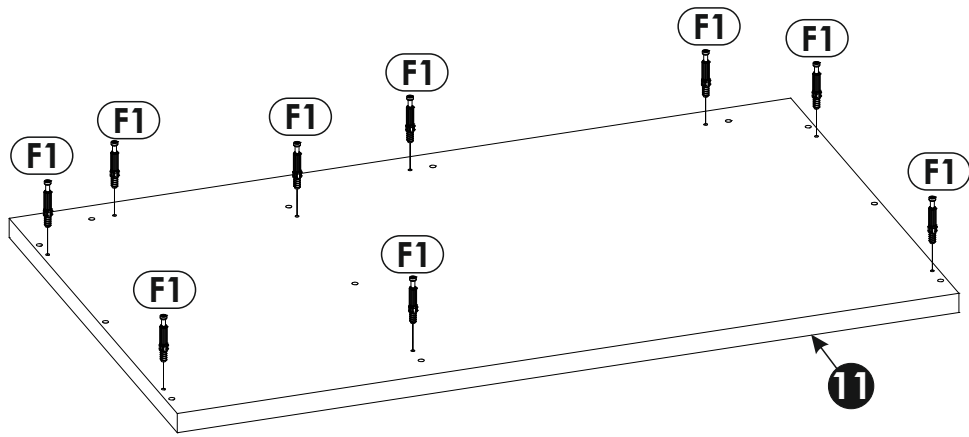
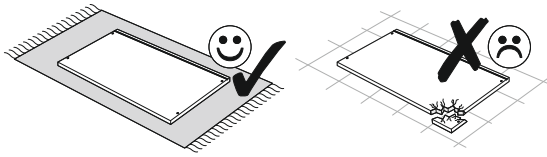
9 ▶



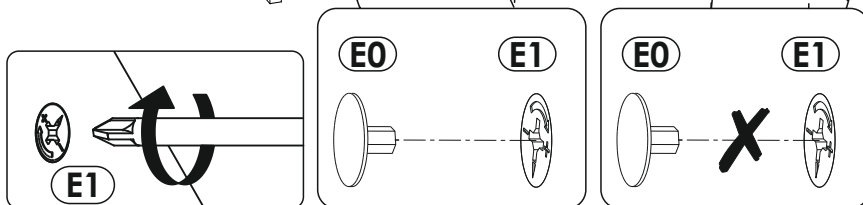
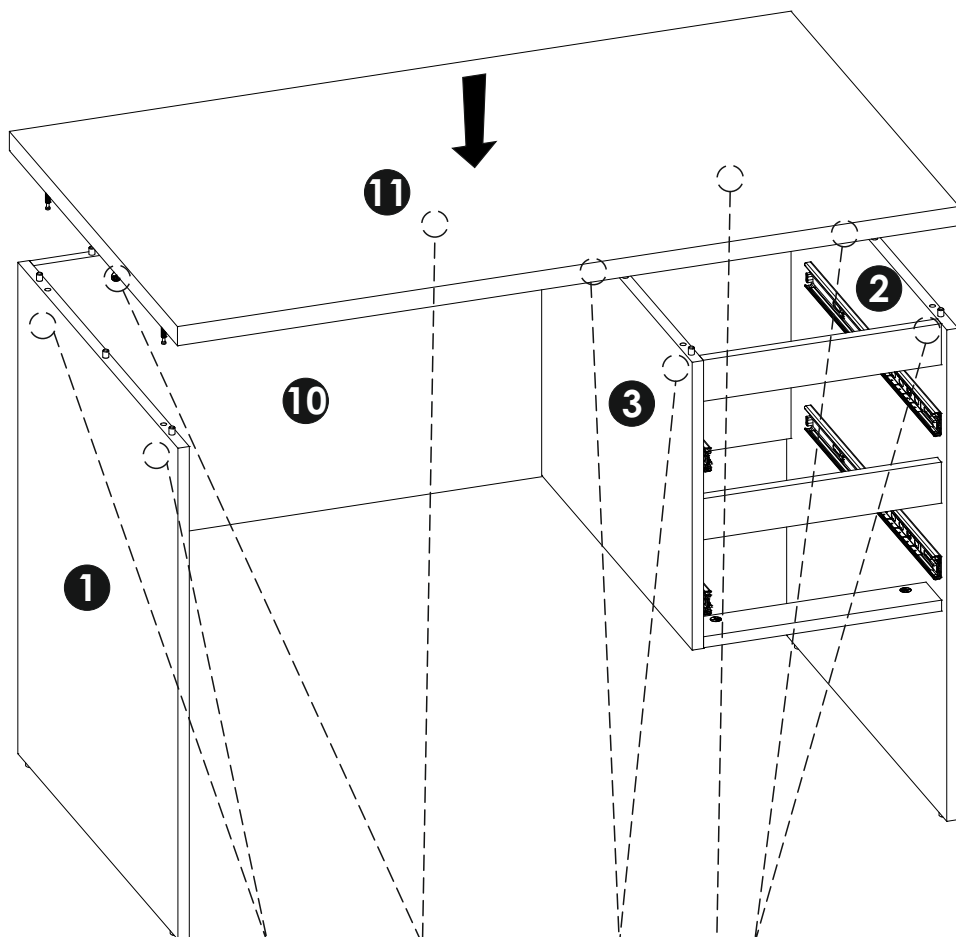
10 ▶



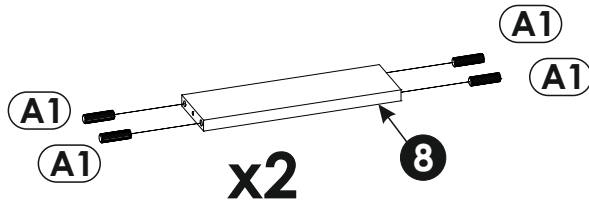
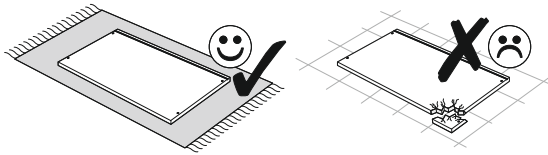
11▶



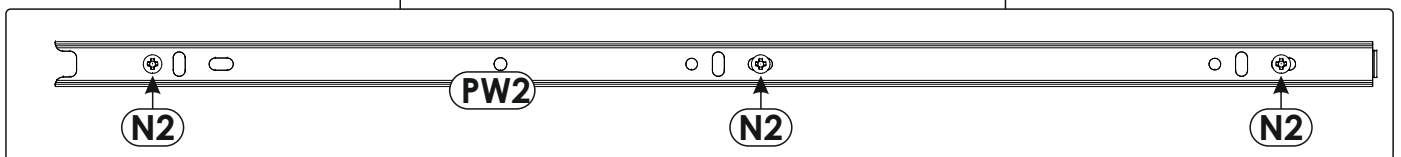
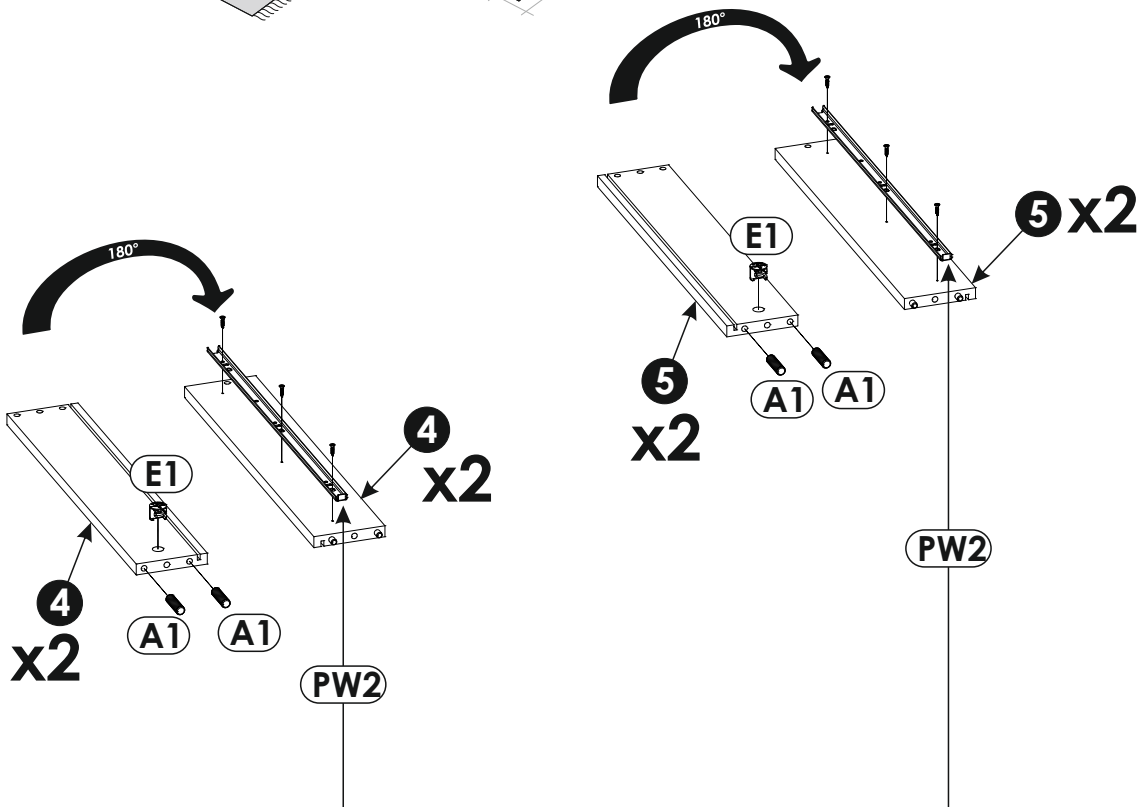
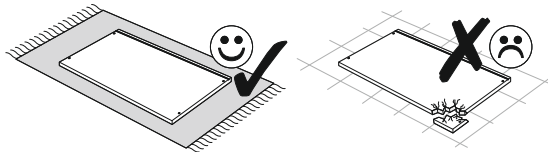
12▶

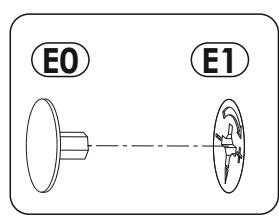
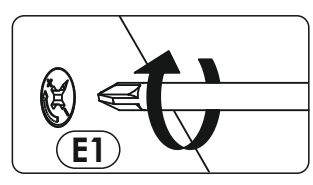
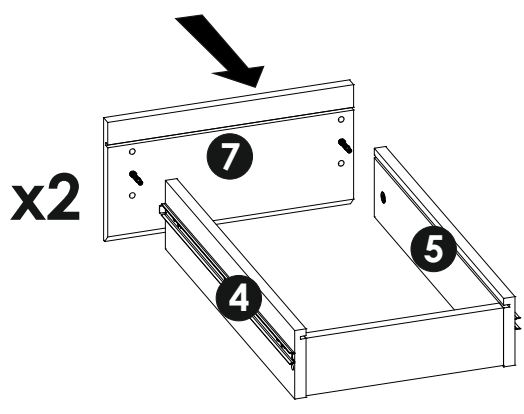
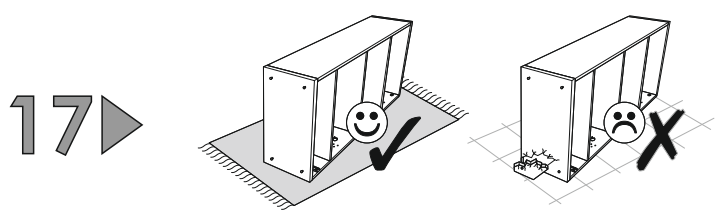
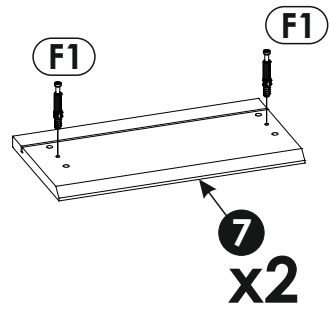
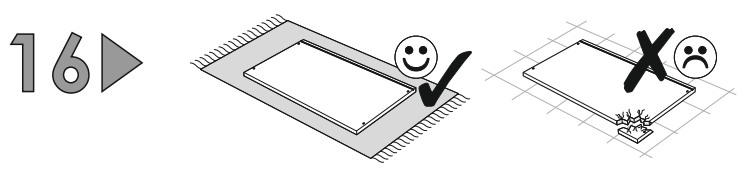
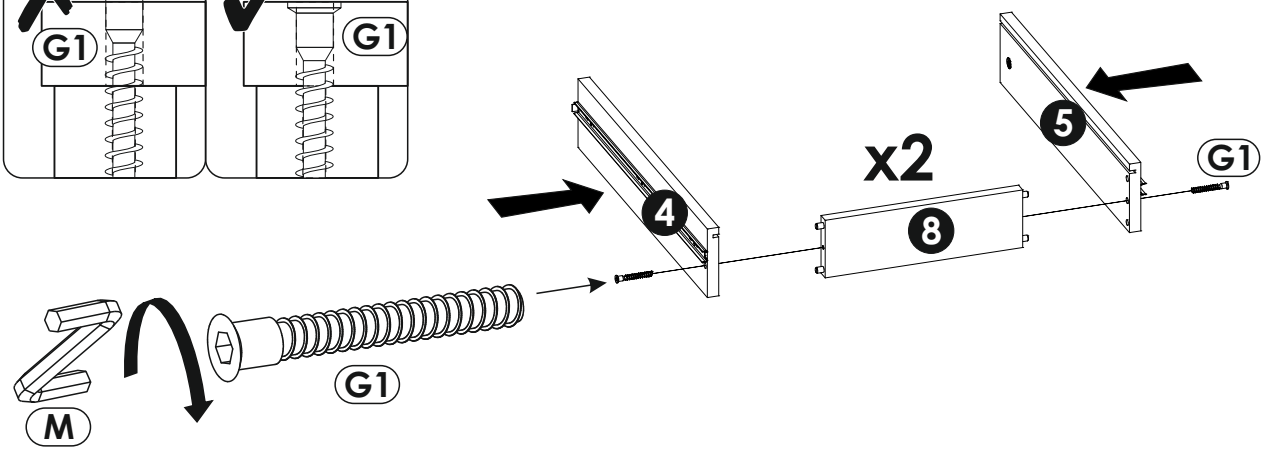
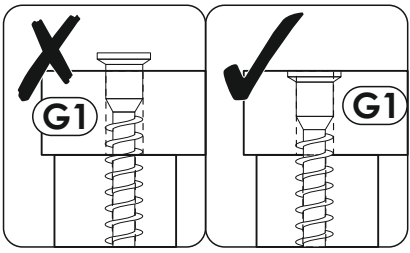
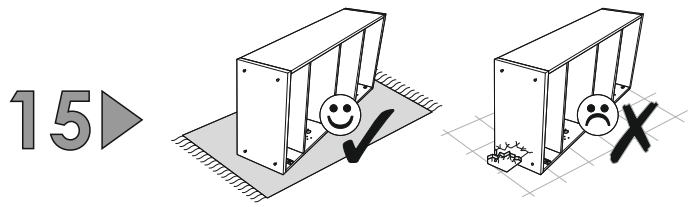


13▶

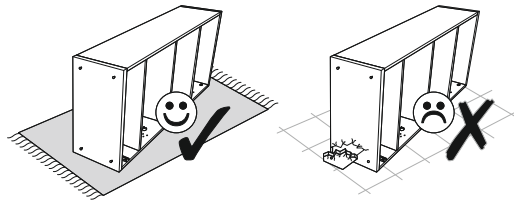
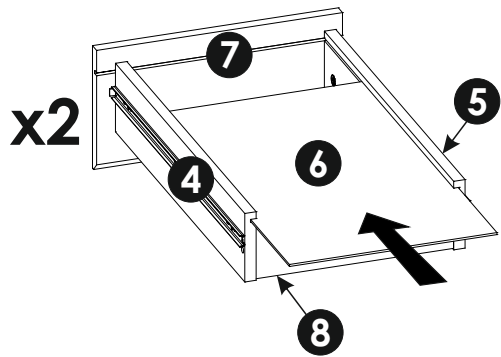


14▶

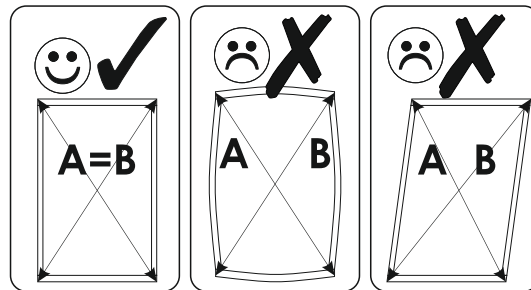
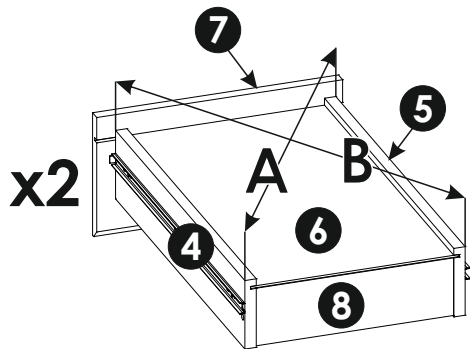
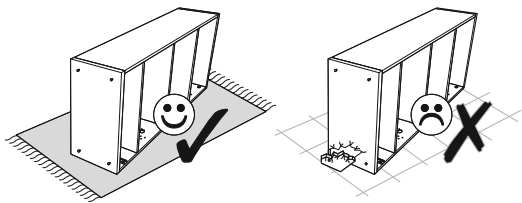




18 ▶

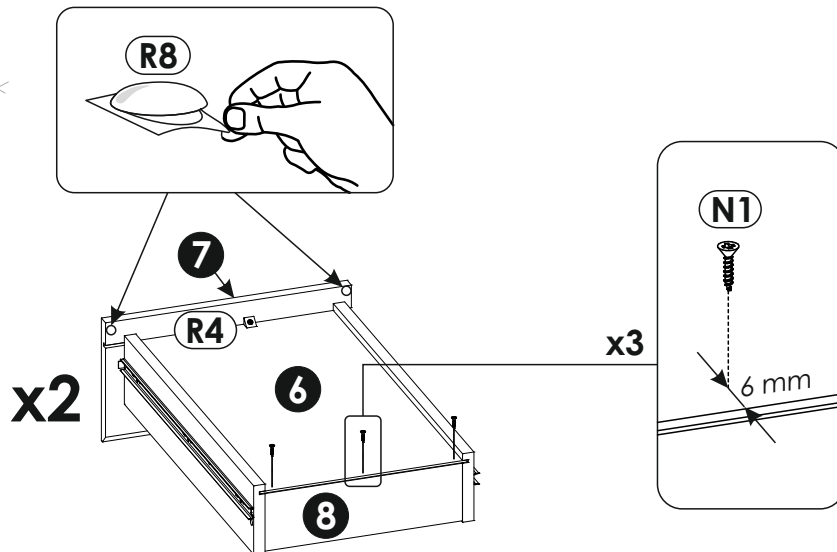
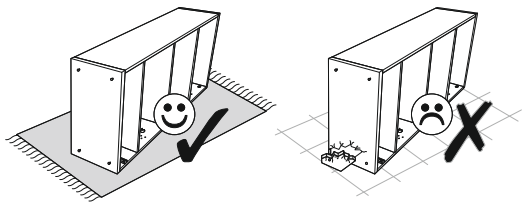


19 ▶

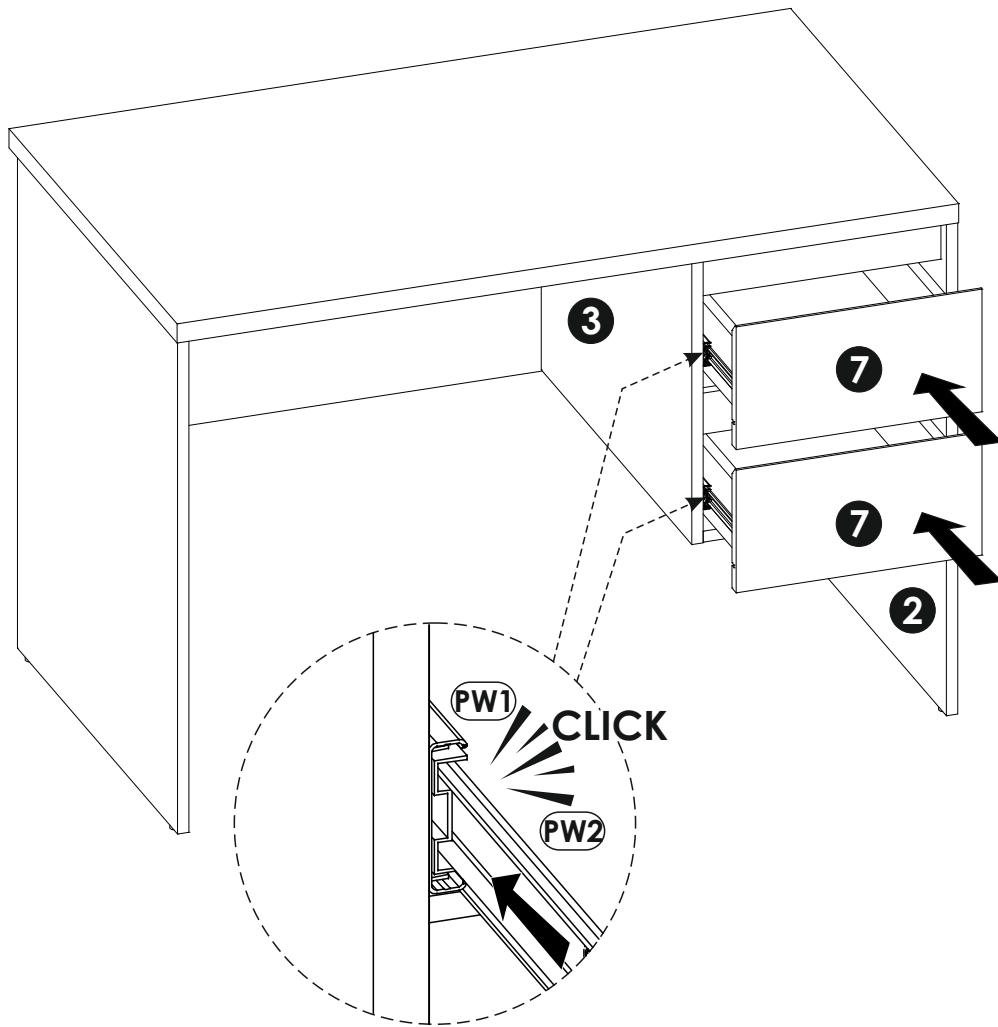


A=B

20 ▶



21▶



22▶

