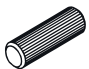
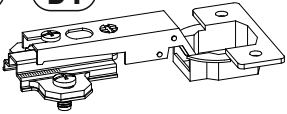


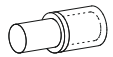


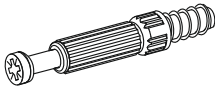
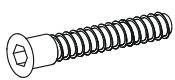


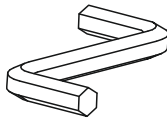
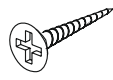
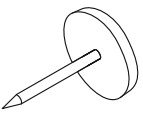
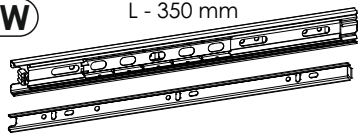
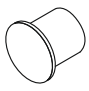
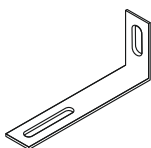
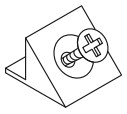
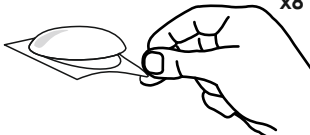
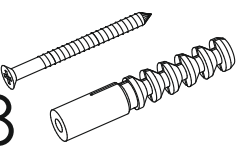
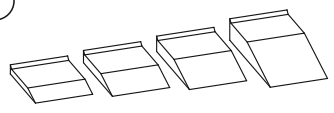
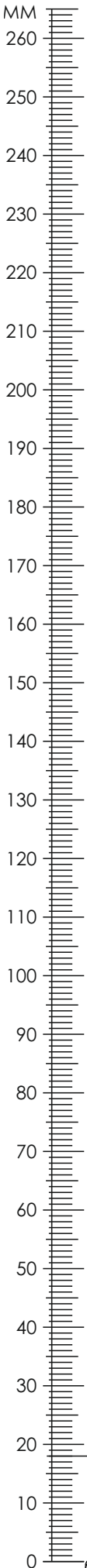
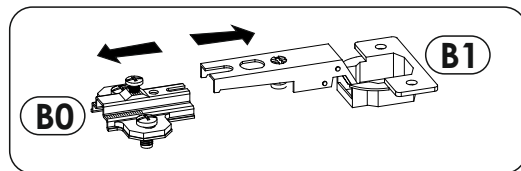
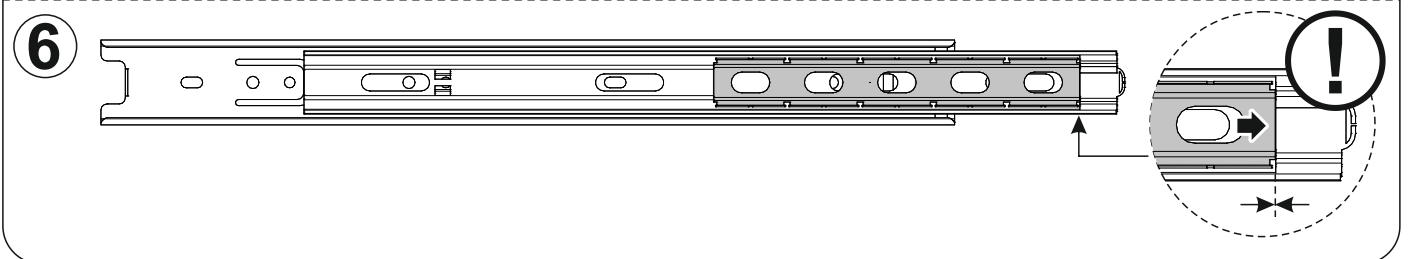
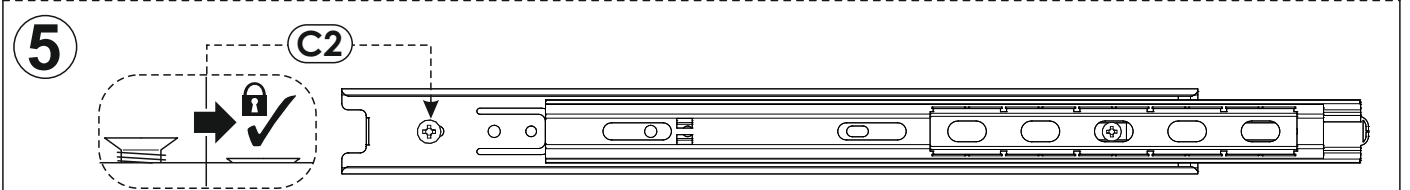
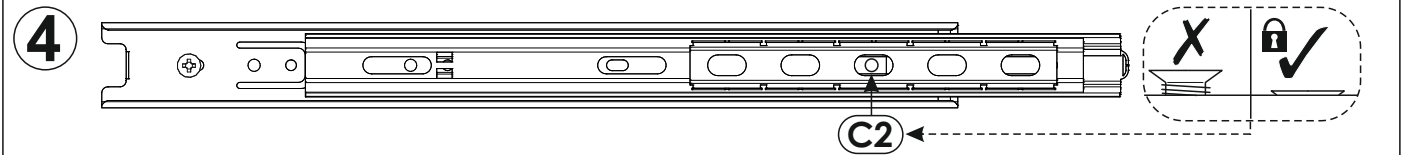
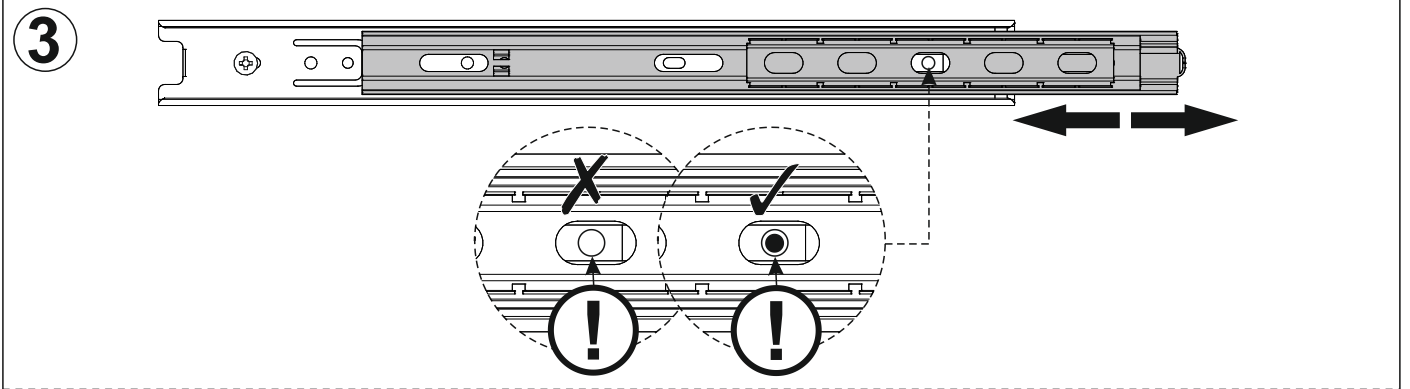
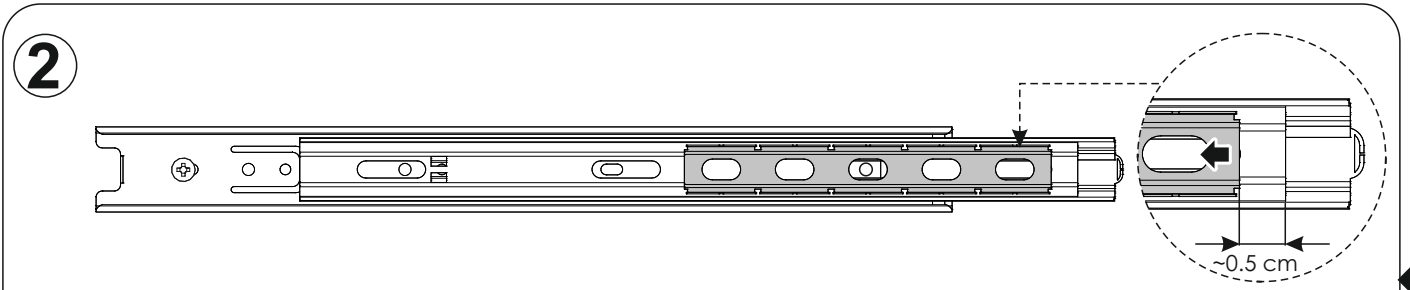
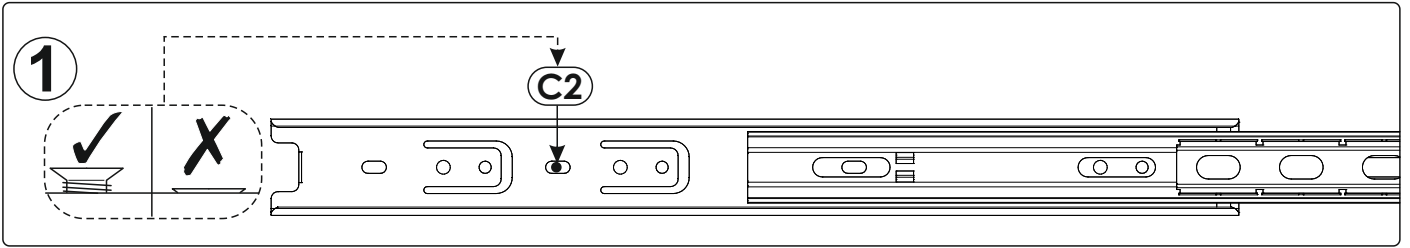
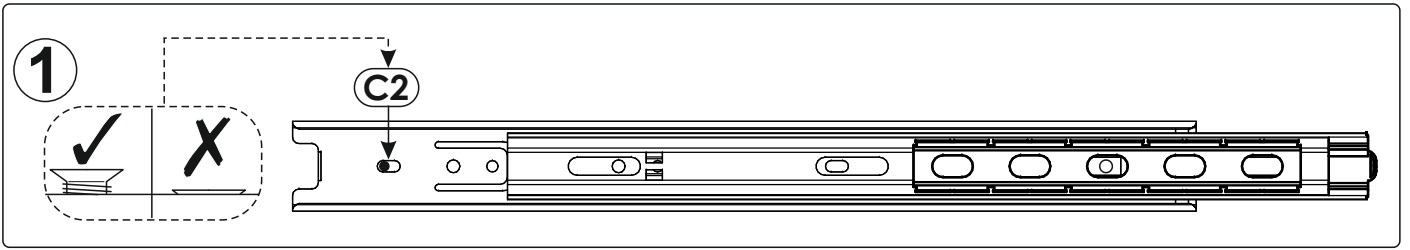
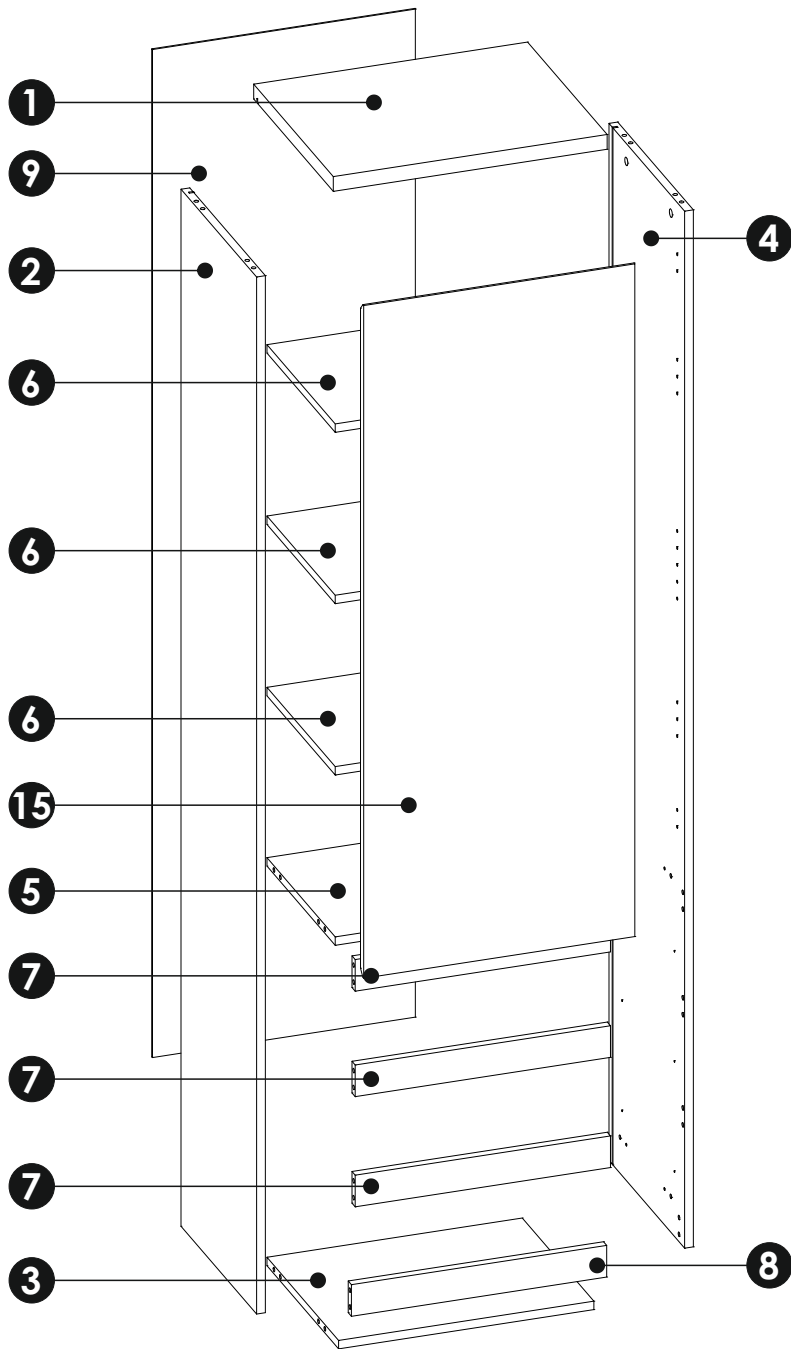
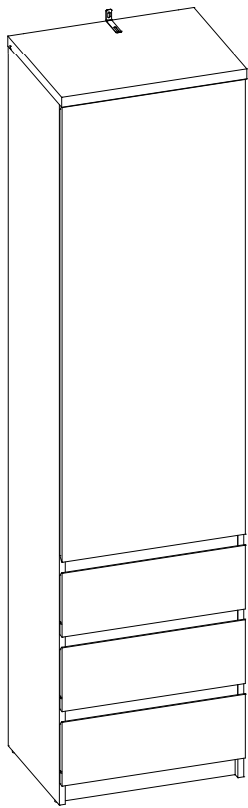


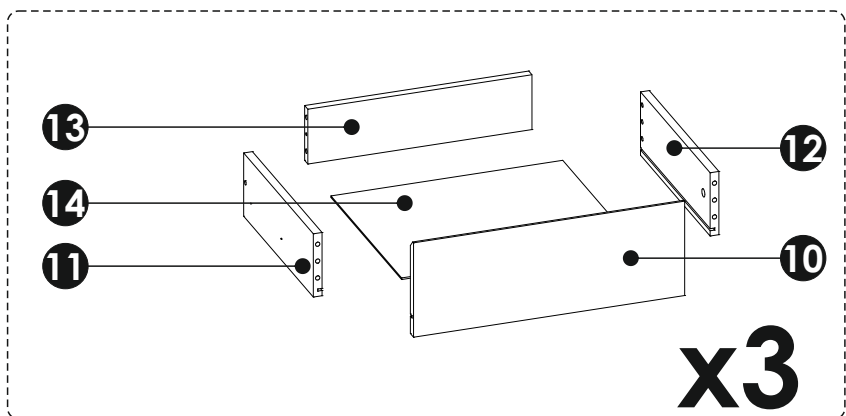
A1	8 x 35 mm 	x52	B0 + B1 	x3	C1	4 x 13 mm 	x6	
C2	5 x 13 mm 	x12	D2 	x12	E0		x10	
E1	15 x 12 mm 	x18	F1	6 x 34 mm 	x18	G1	7 x 50 mm 	x6
I2	4 x 16 mm 	x1	J4	3,5 x 16 mm 	x18	M		x1
N1	3 X 16 mm 	x20	O2		x4	PW	L - 350 mm 	x6
P0		x6	Q9		x1	R4		x14
R8		x8	S13	 Ø8	x1	Z		x1

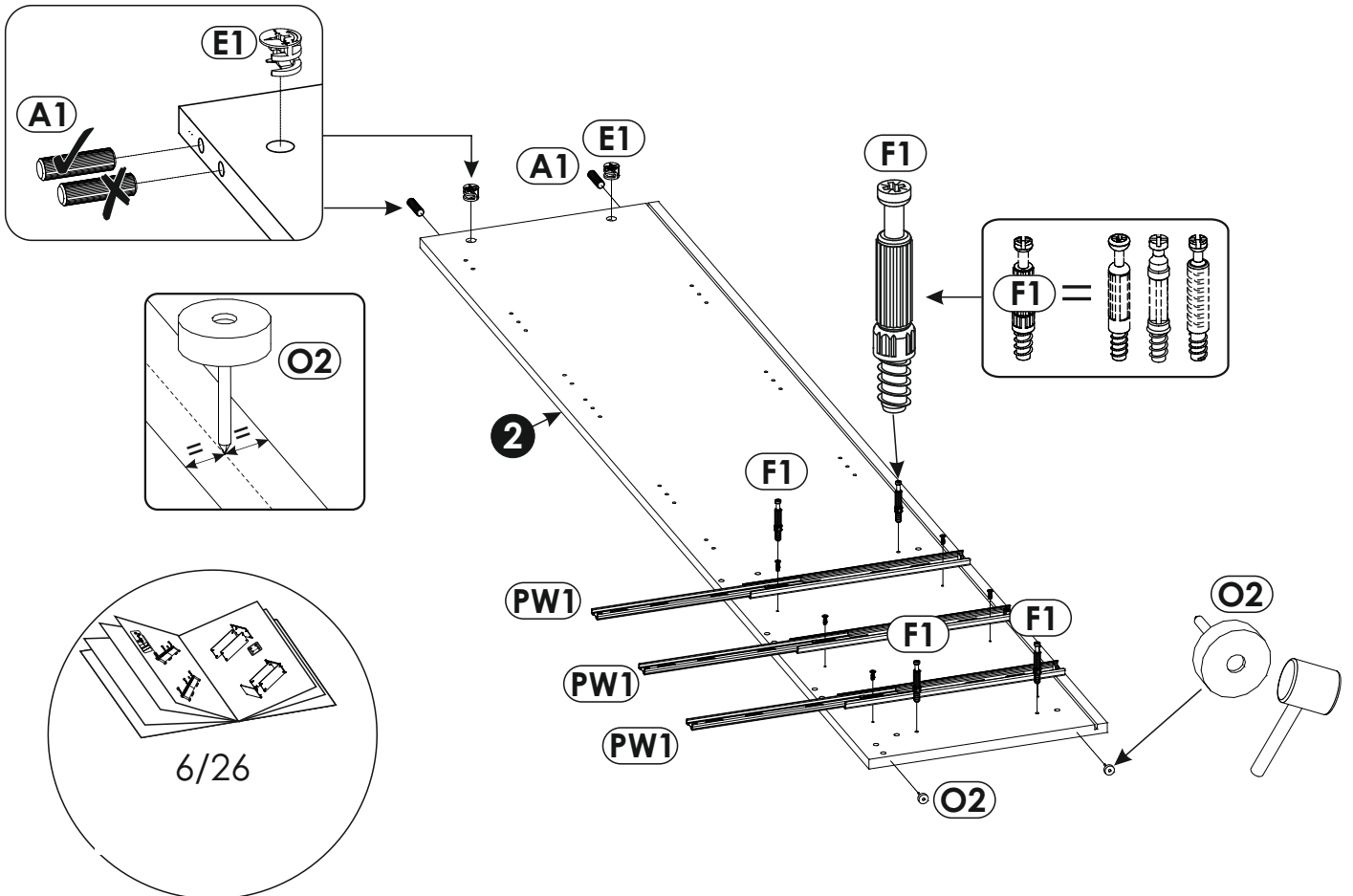
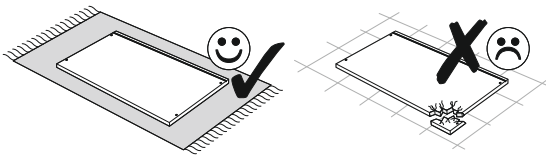
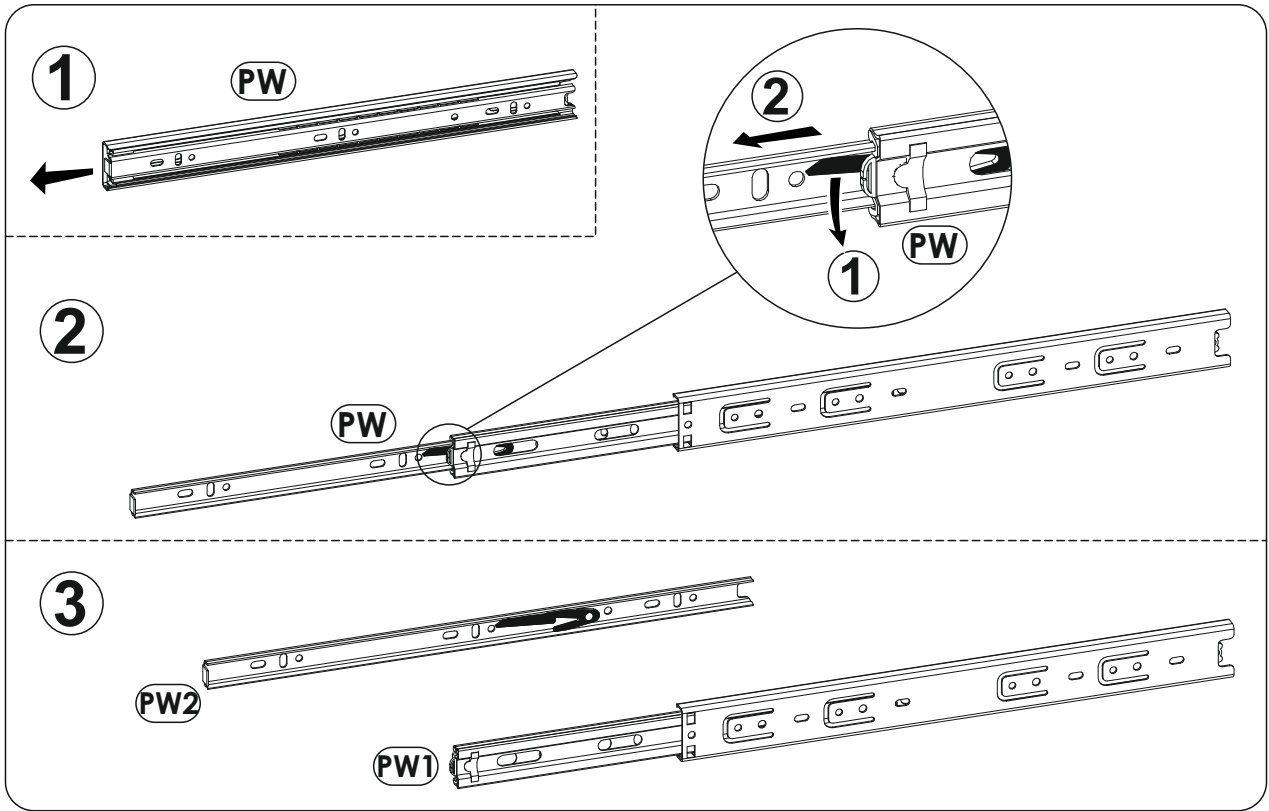




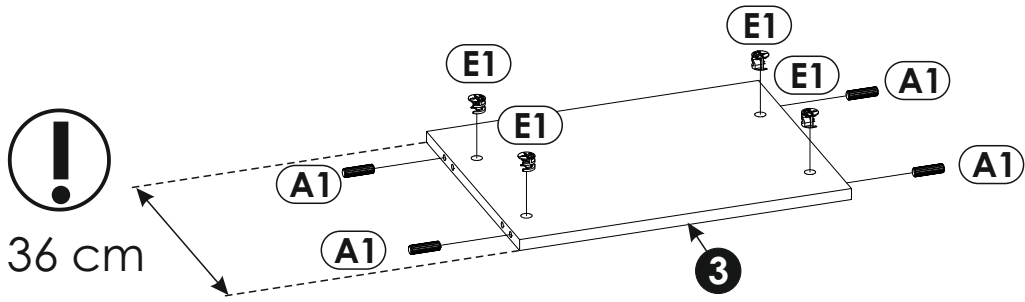
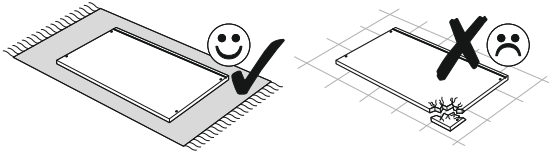


1	501	400	28	x1	1/2
2	1967	380	16	x1	2/2
3	467	360	16	x1	1/2
4	1967	380	16	x1	2/2
5	467	343	16	x1	1/2
6	467	343	16	x3	1/2
7	467	60	16	x3	1/2
8	467	60	16	x1	1/2
9	1912	481	3	x1	2/2
10	496	179	16	x3	2/2
11	350	120	16	x3	1/2
12	350	120	16	x3	1/2
13	410	104	16	x3	1/2
14	424	355	3	x3	1/2
15	1276	496	16	x1	2/2

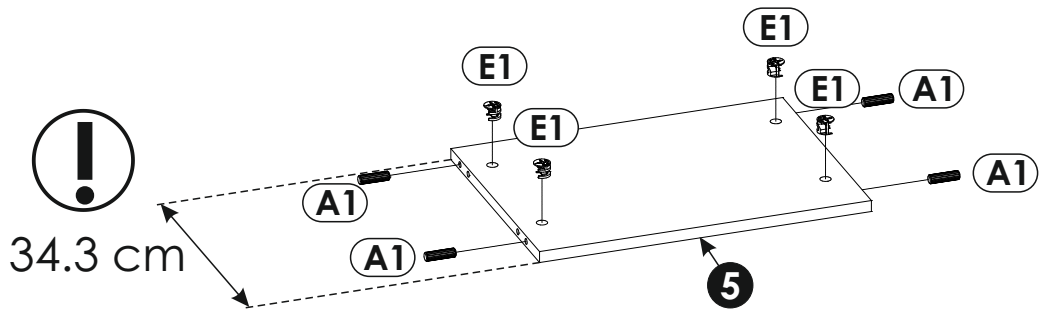
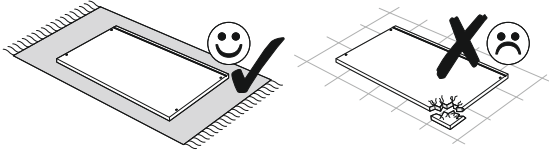


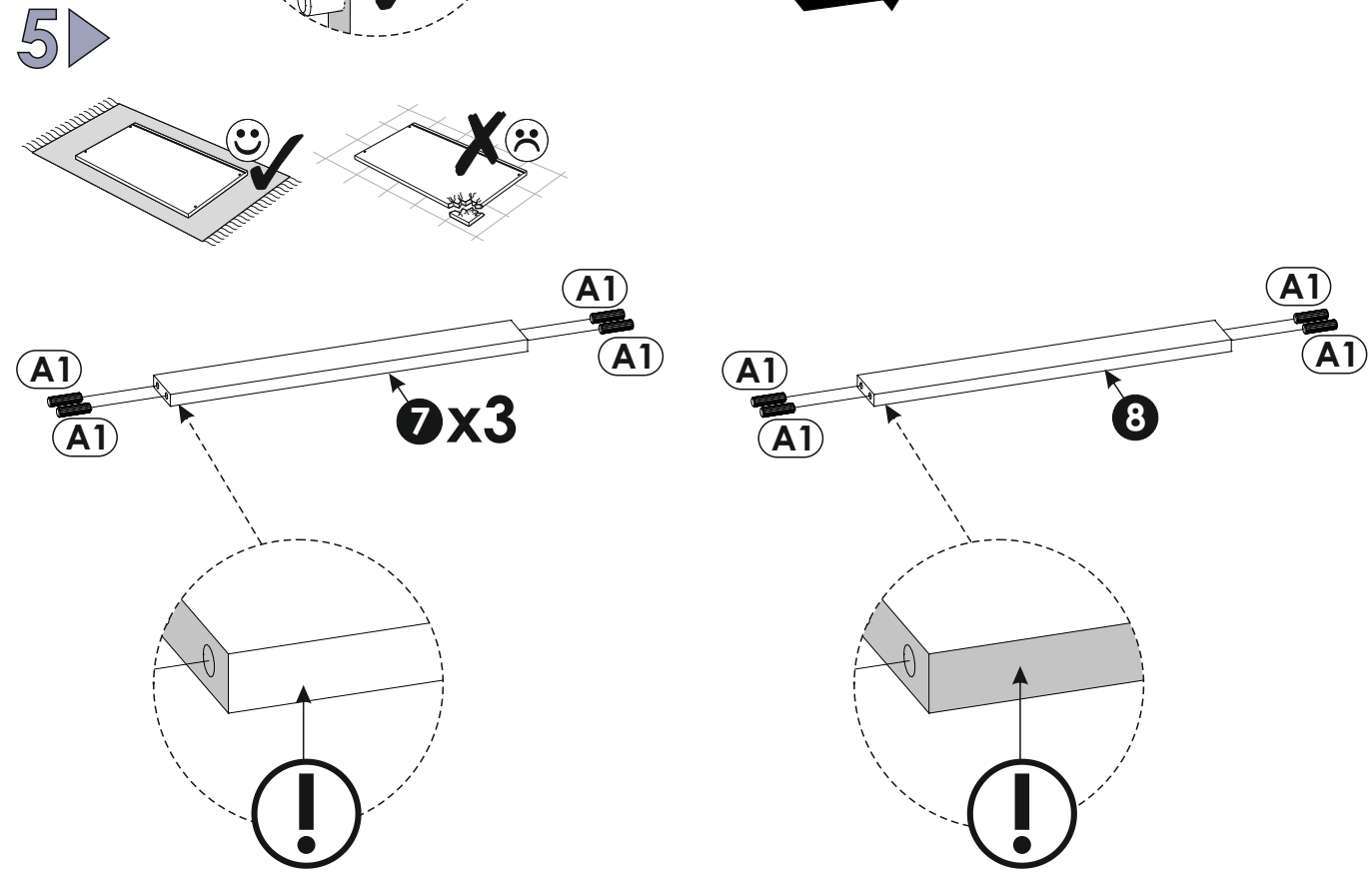
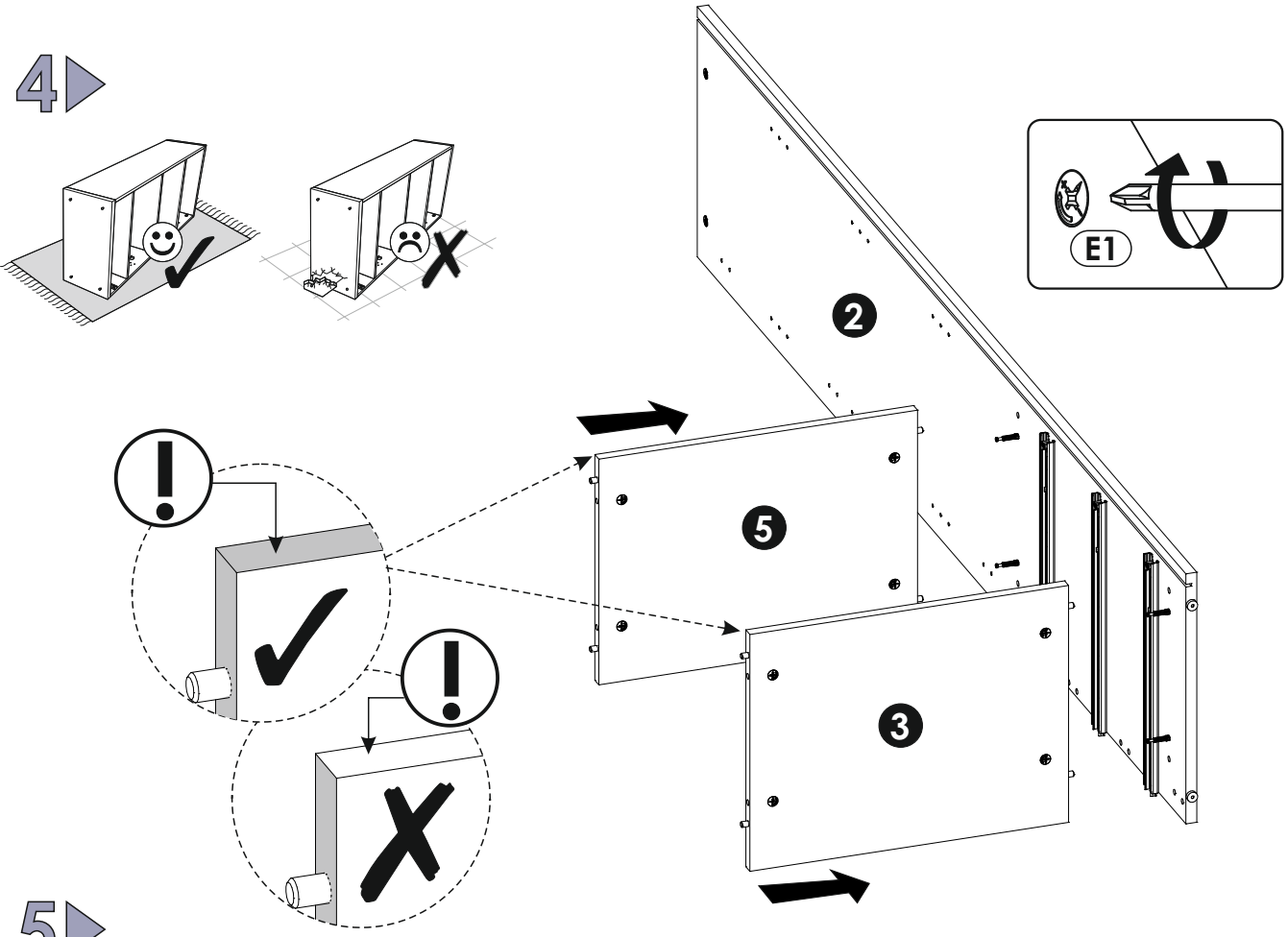
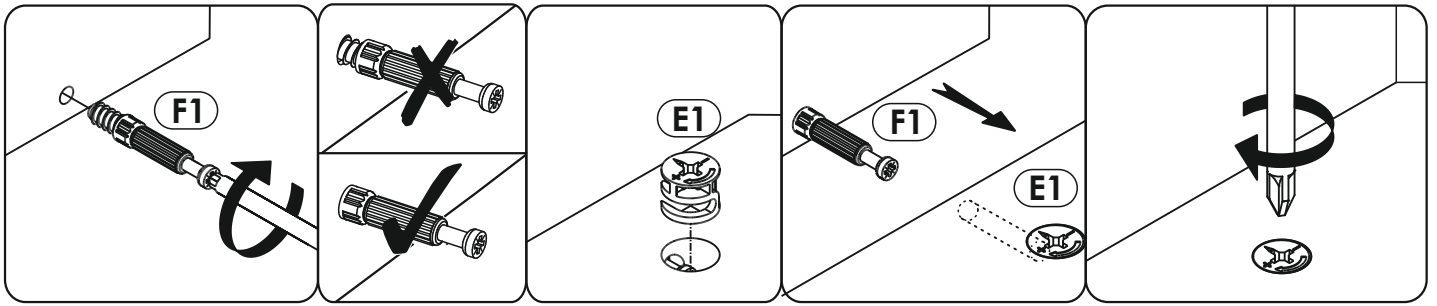


2 ▶

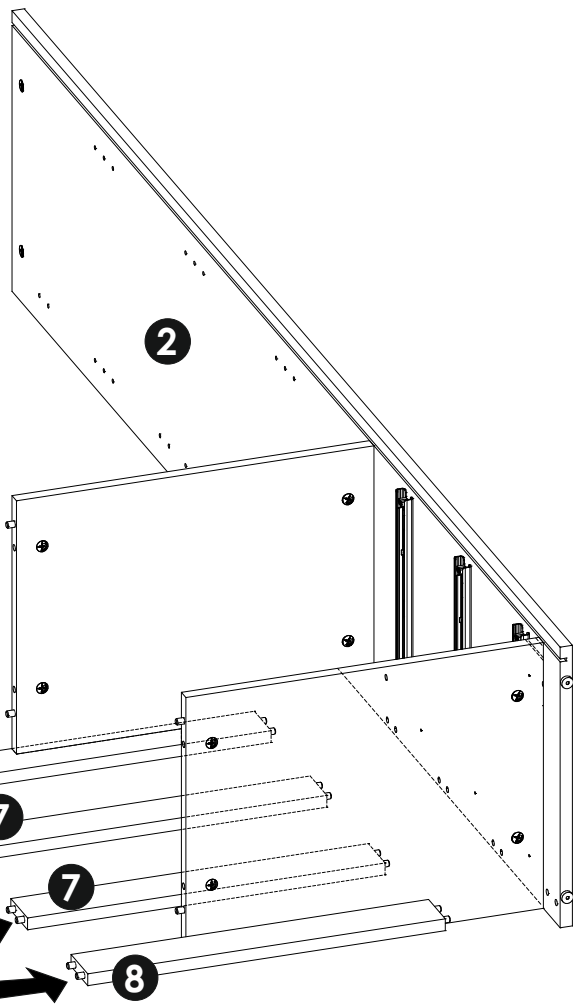
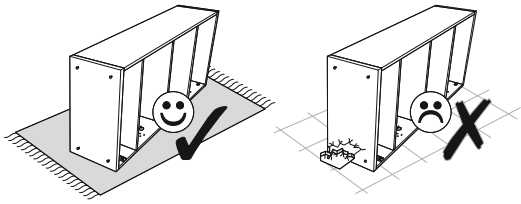


3 ▶

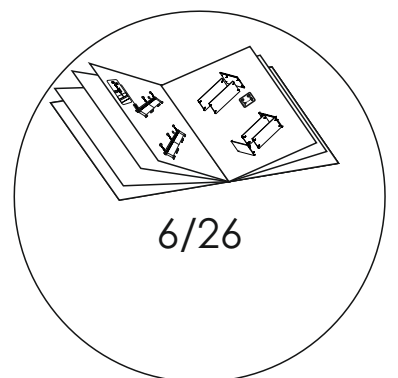
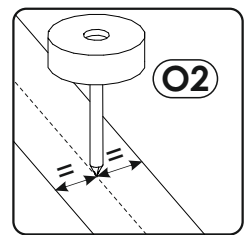
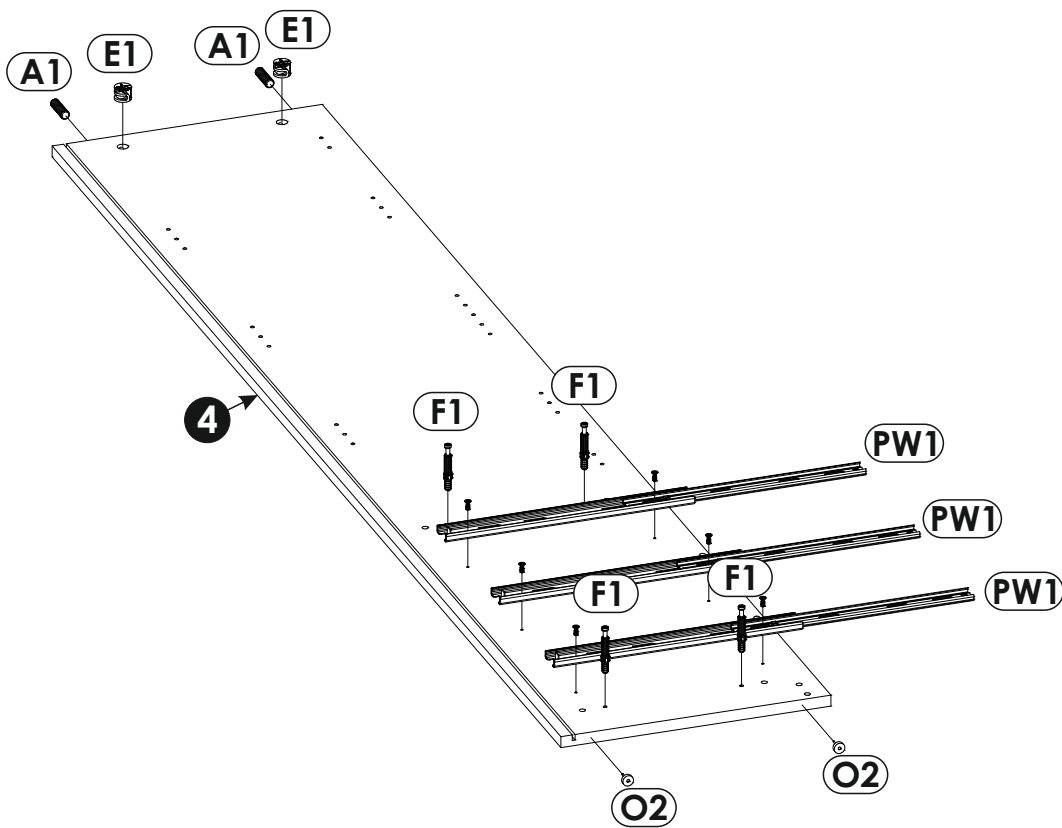
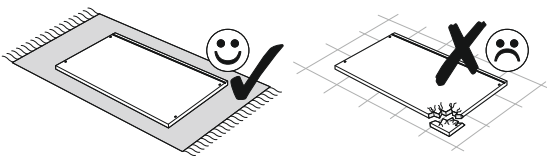




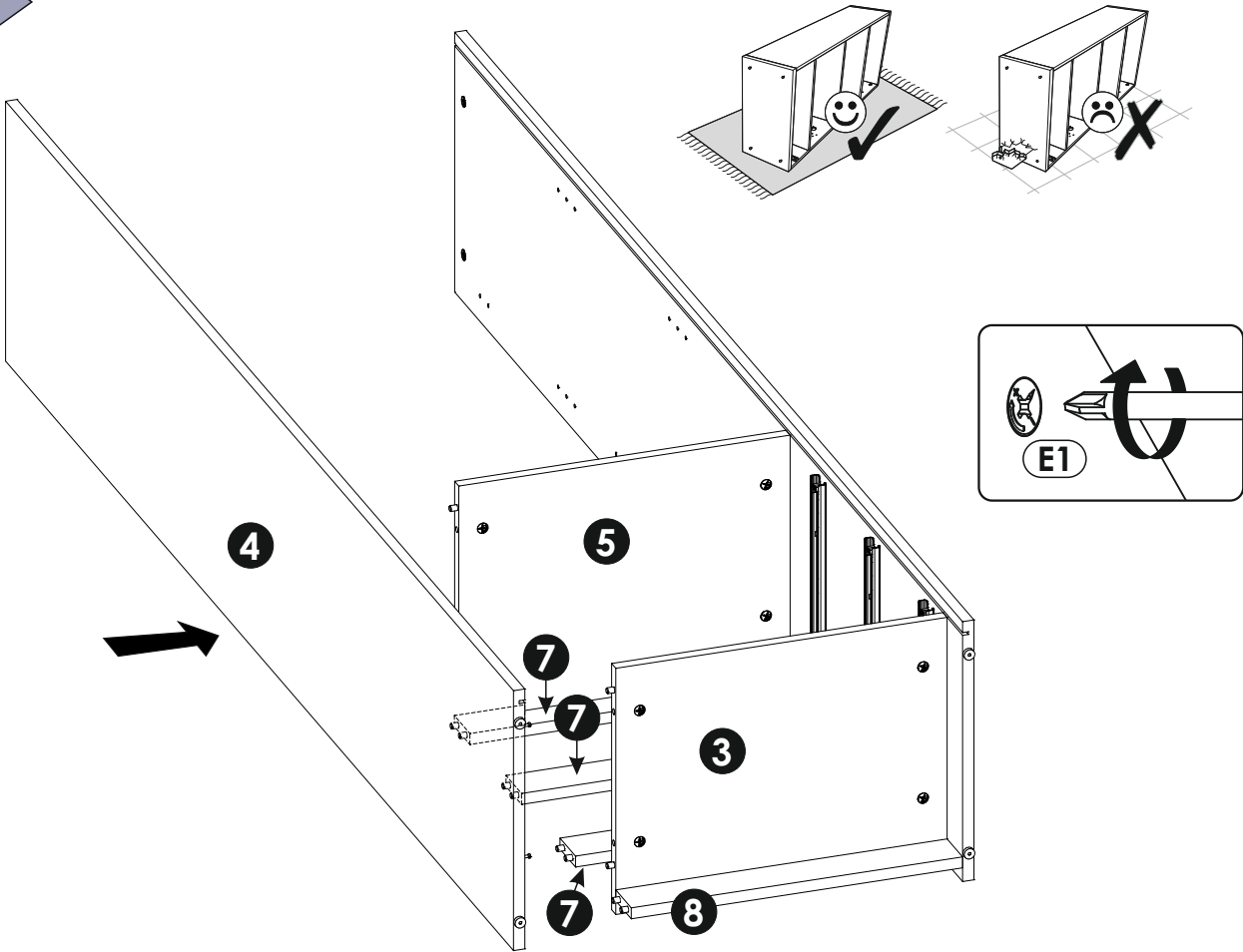
6 ▶



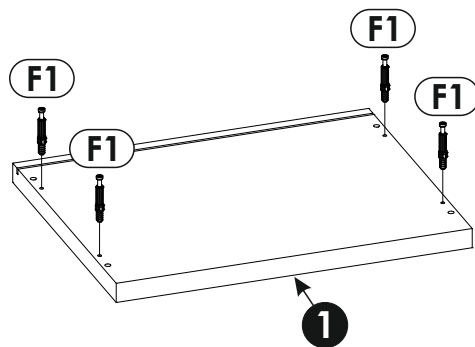
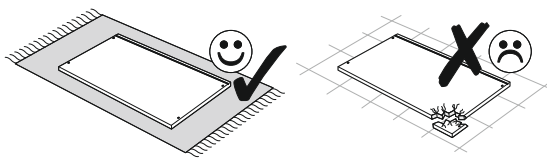
7 ▶



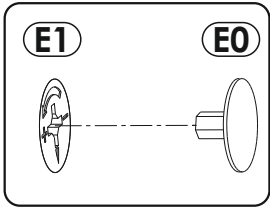
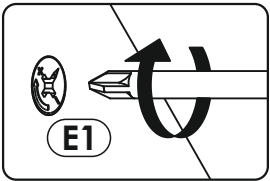
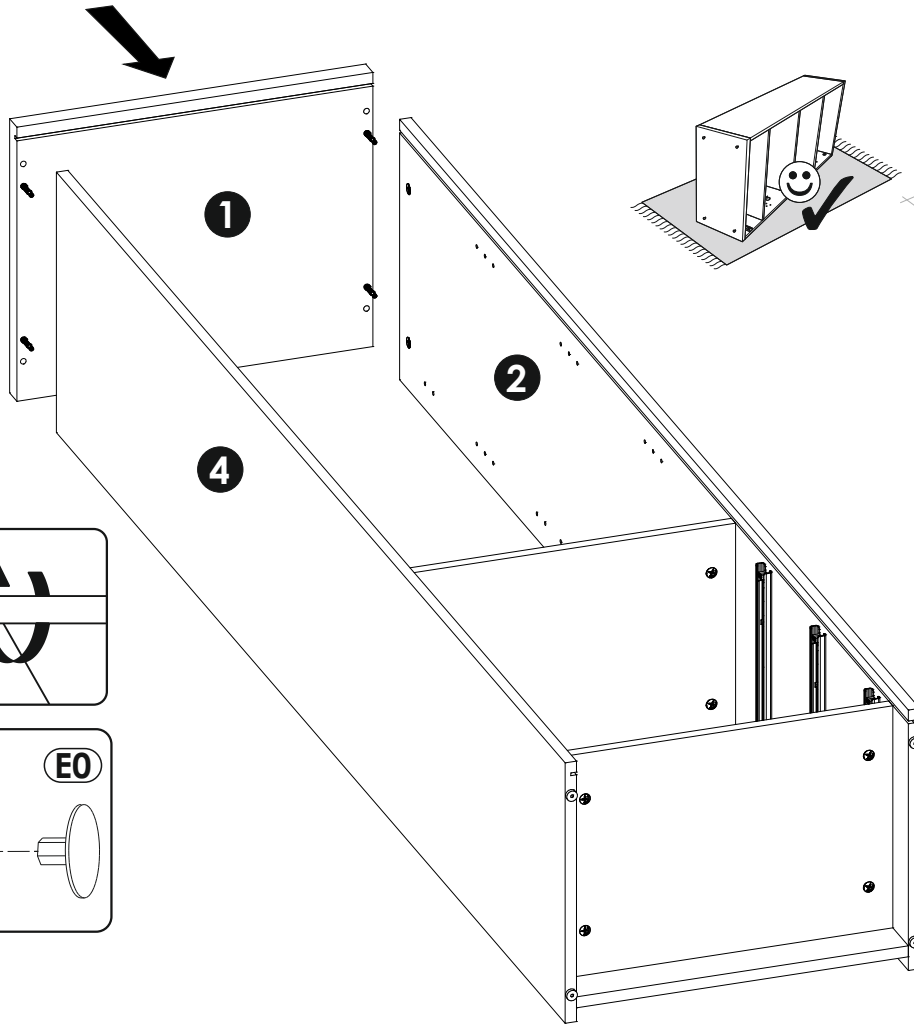
8 ▶



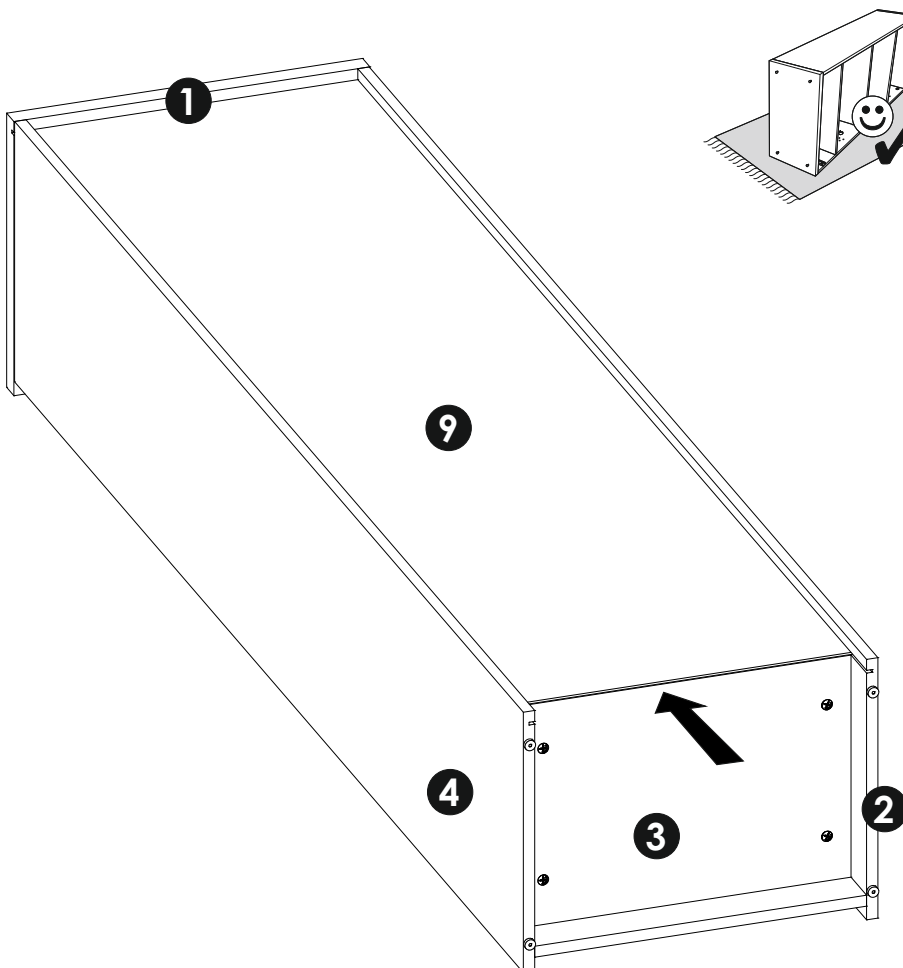
9 ▶



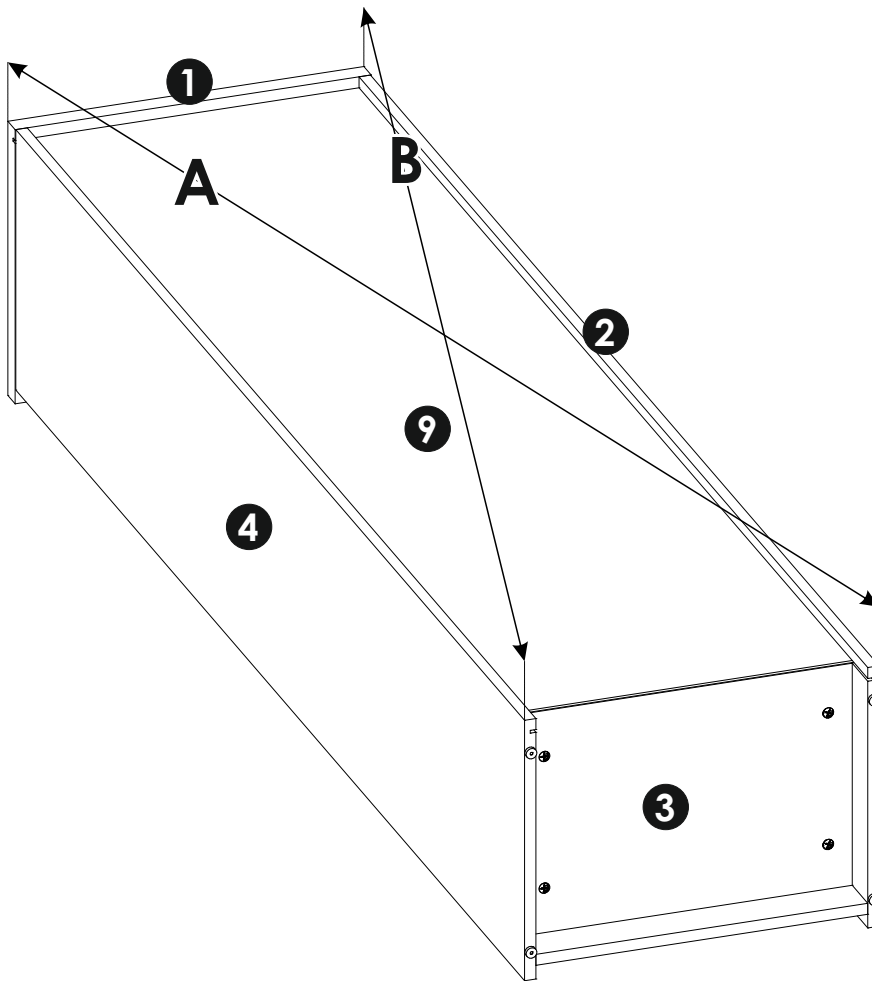
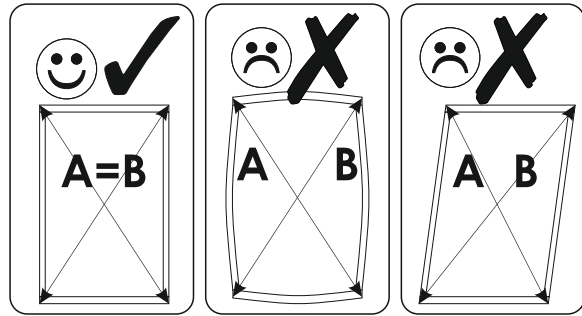
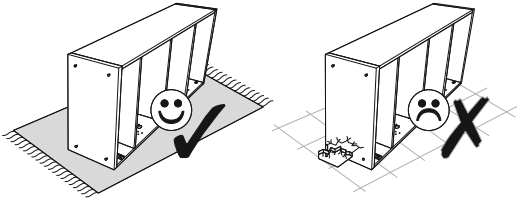
10 ▶



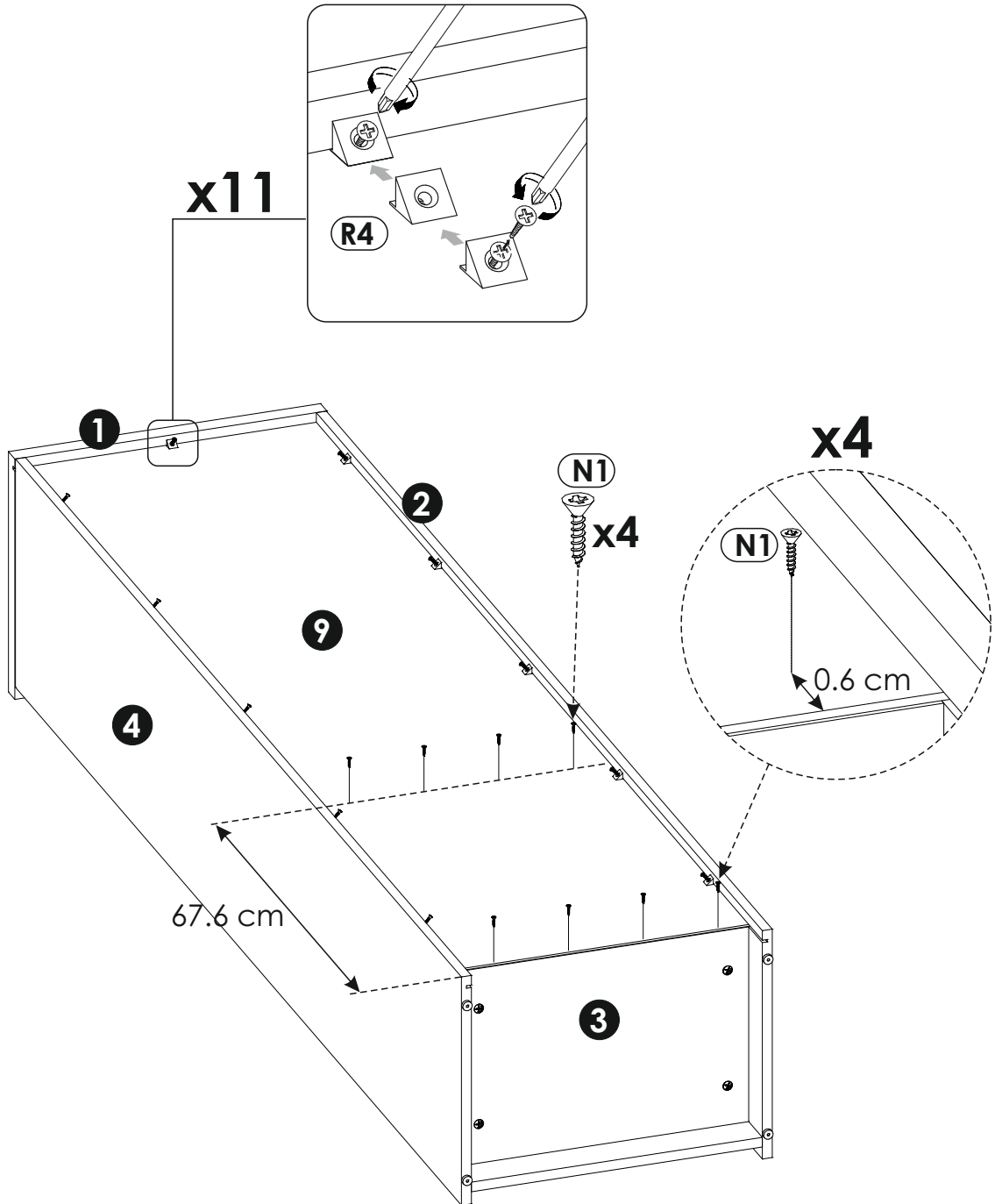
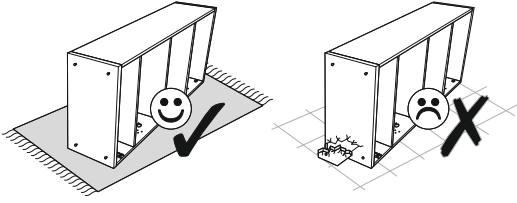
11 ▶



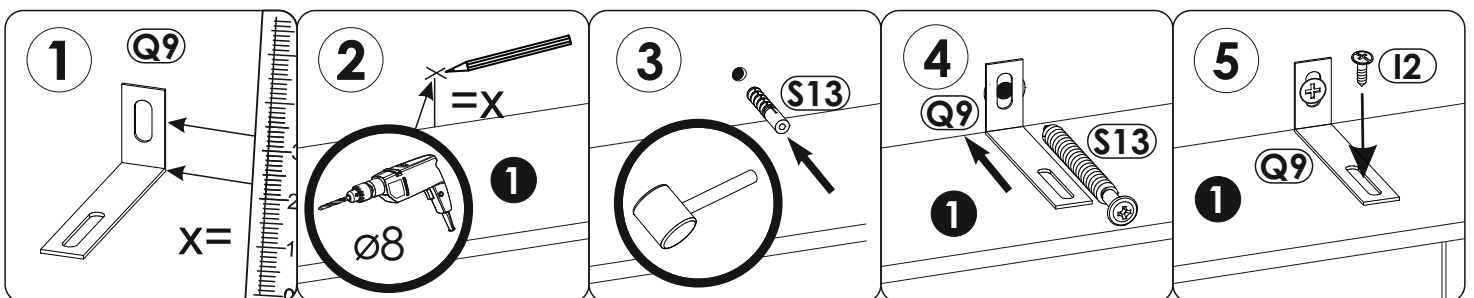
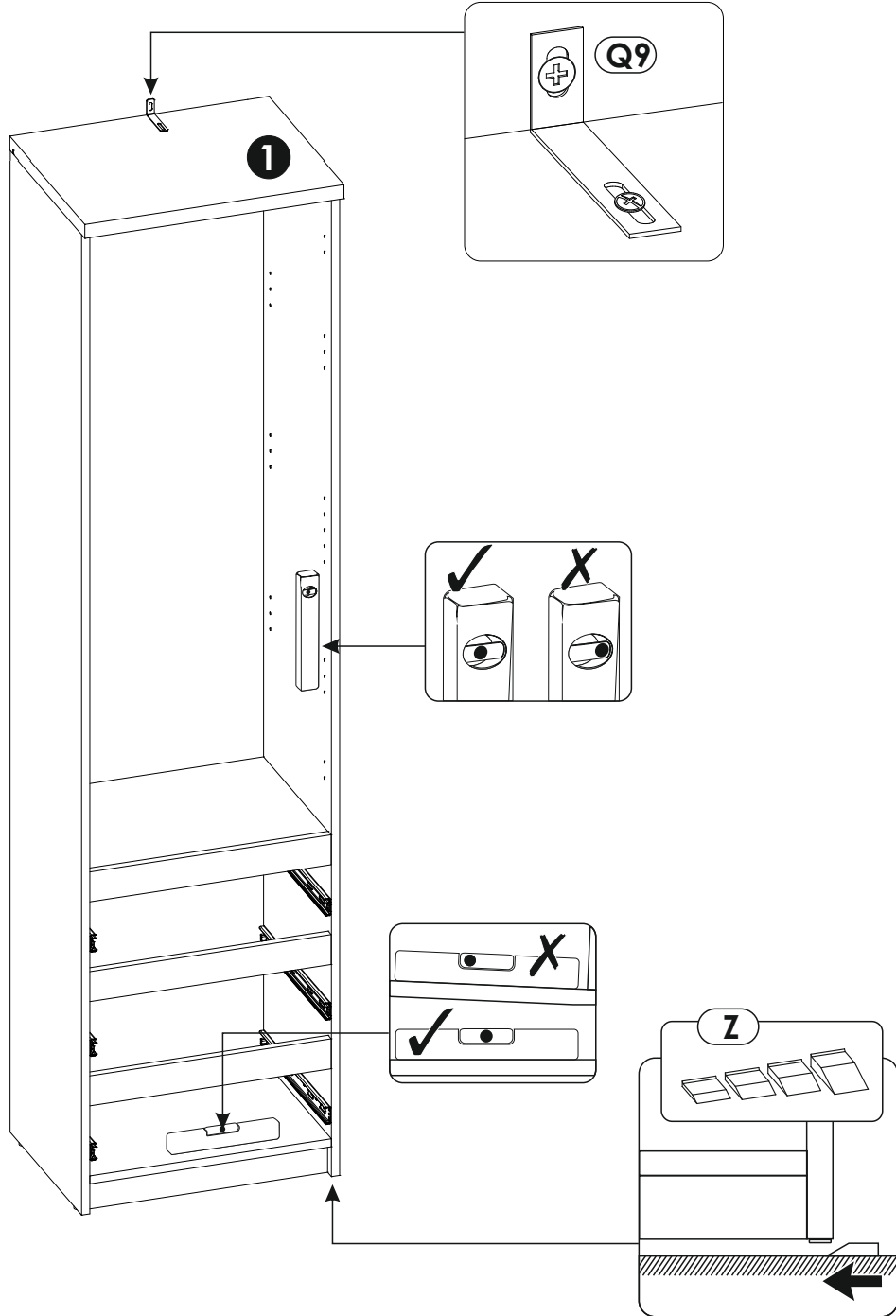
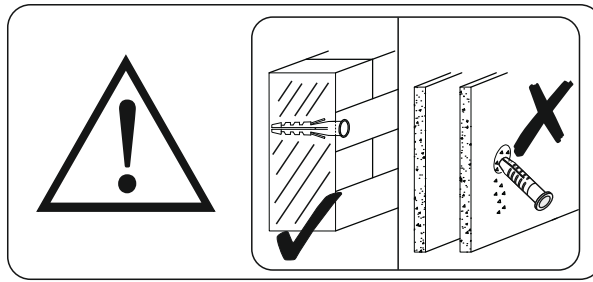
12▶



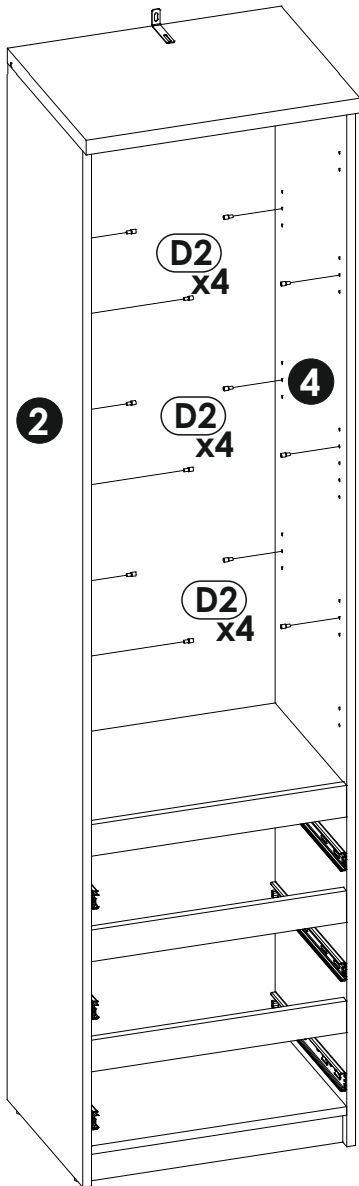
13▶



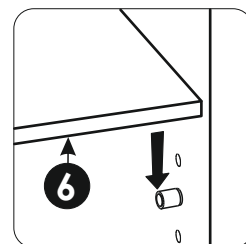
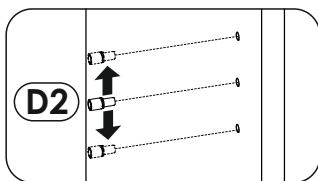
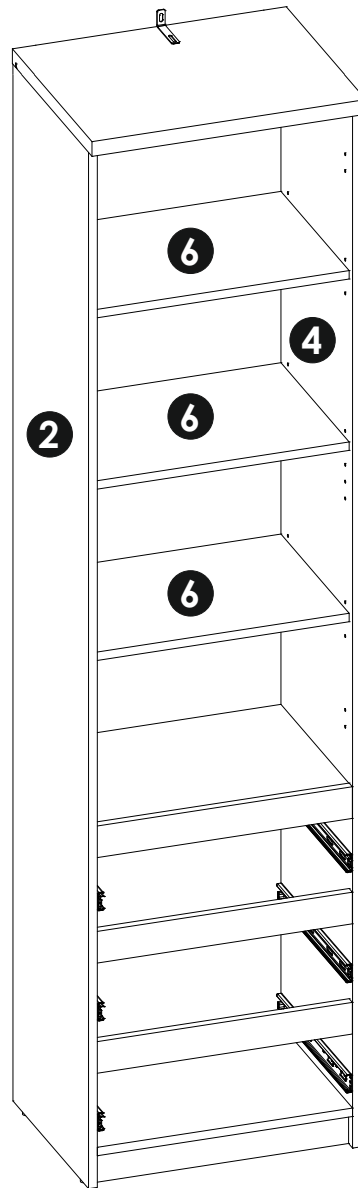
14 ▶



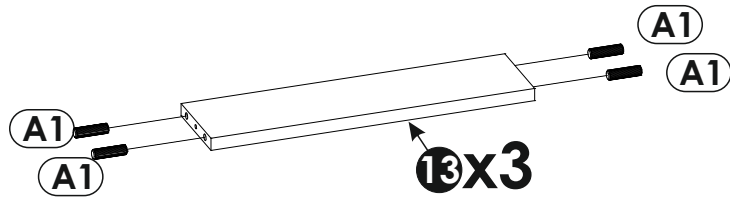
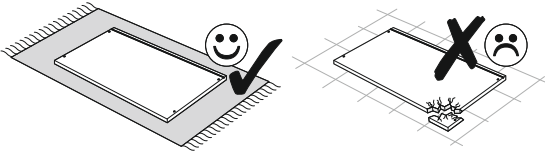
15▶



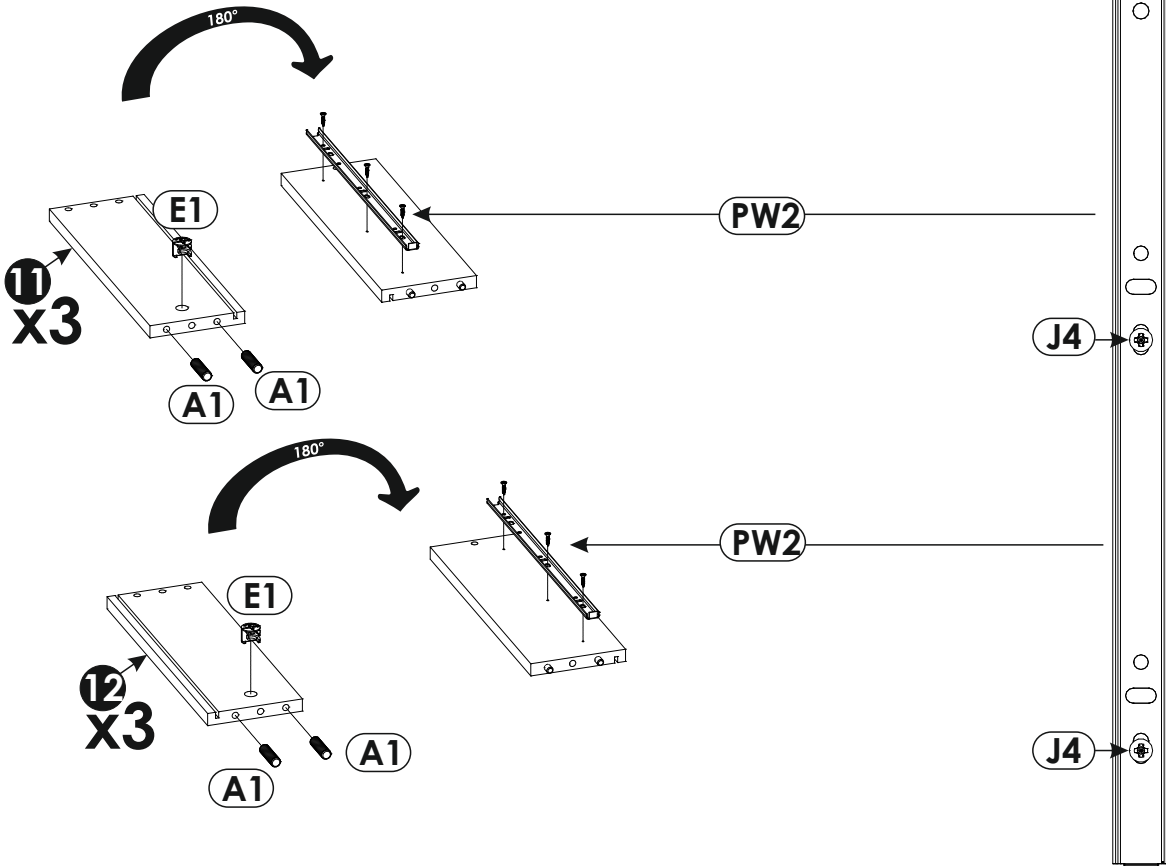
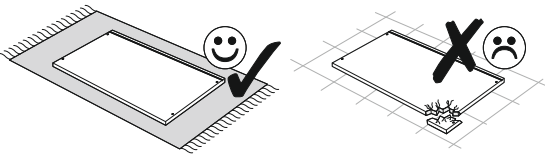
16▶



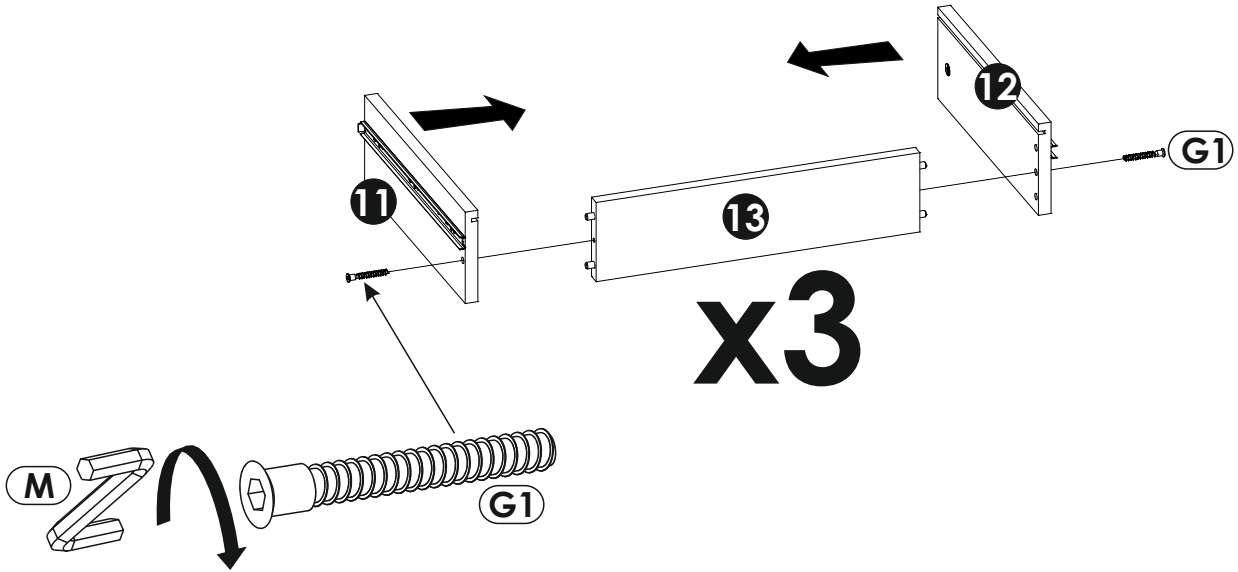
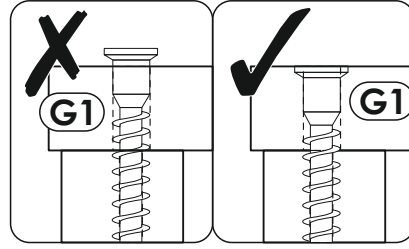
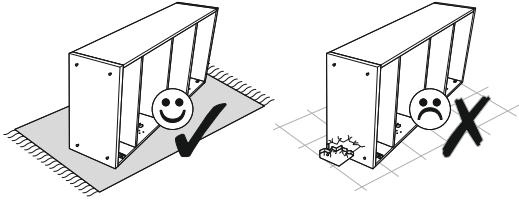
17▶



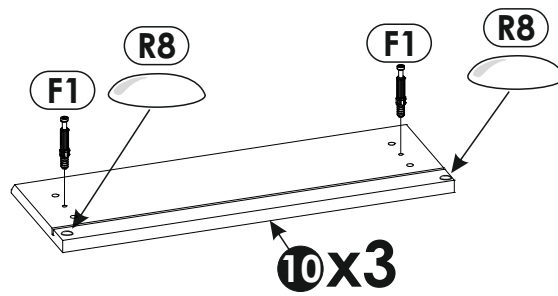
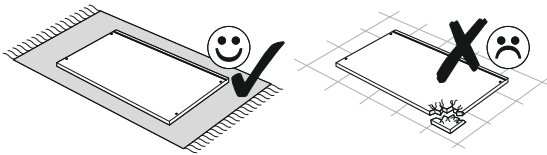
18▶



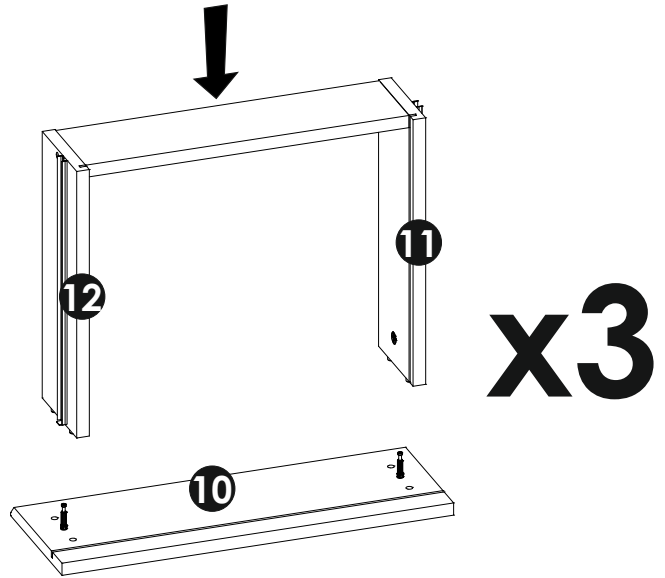
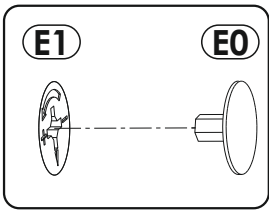
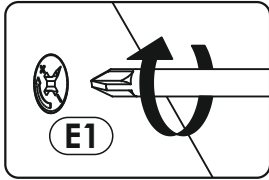
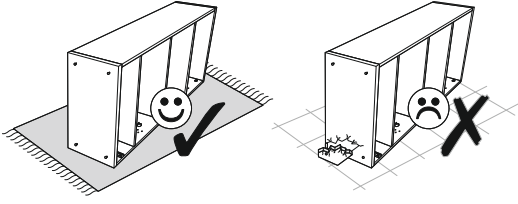
19▶



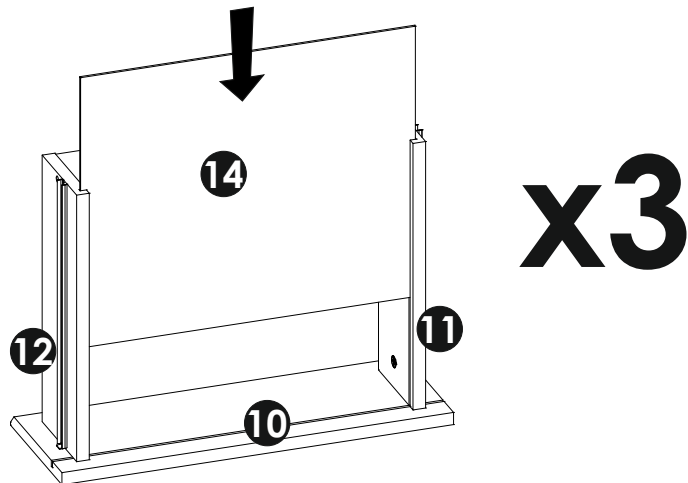
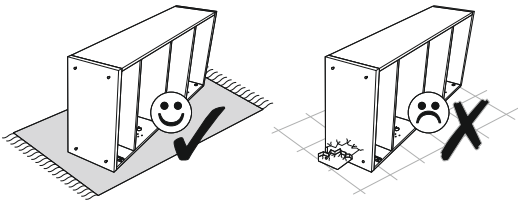
20▶



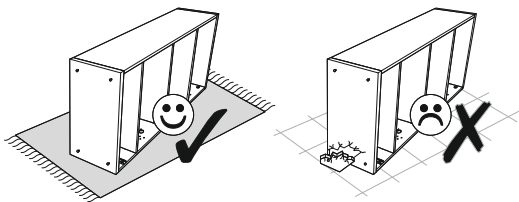
21▶



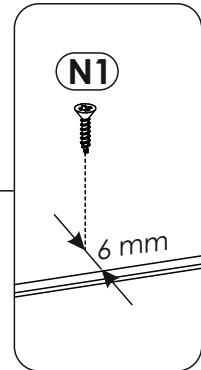
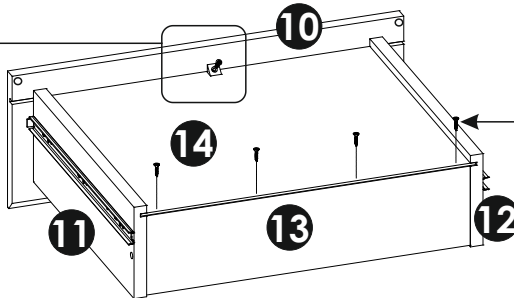
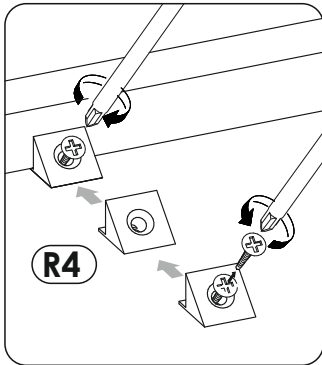
22▶



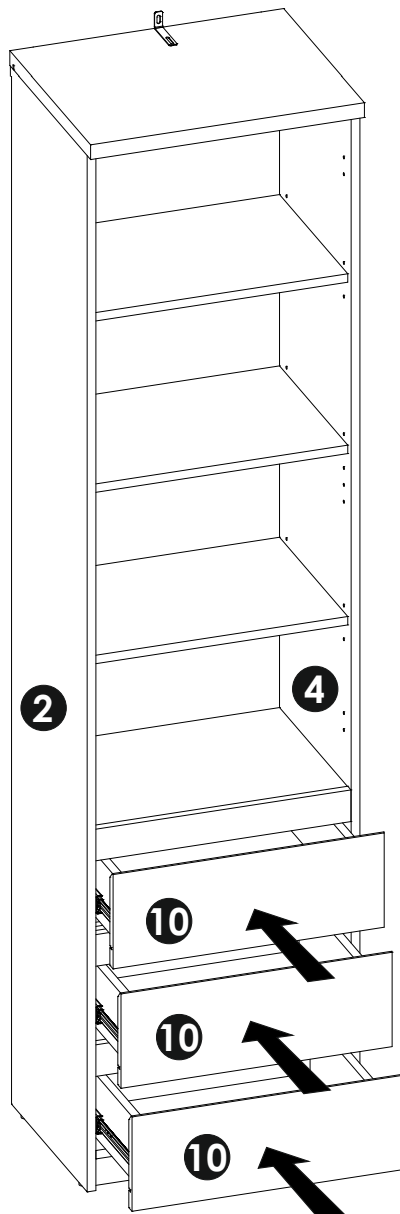
23▶



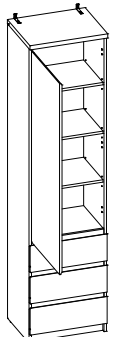
x3



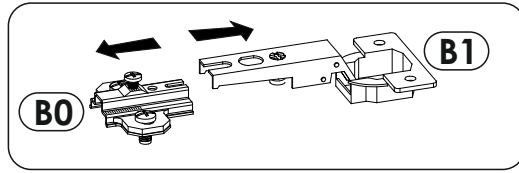
24▶



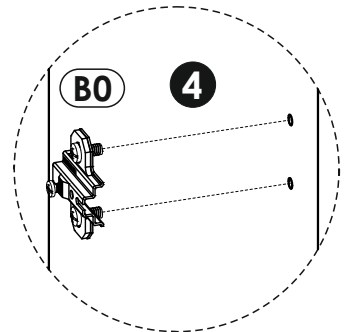
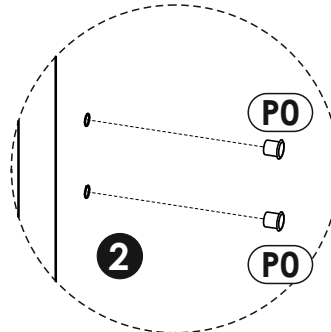
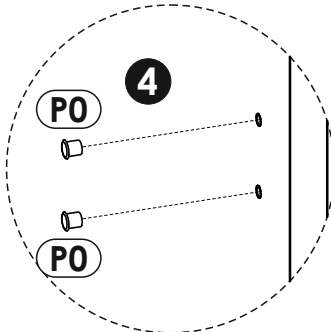
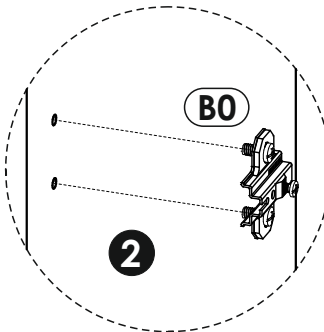
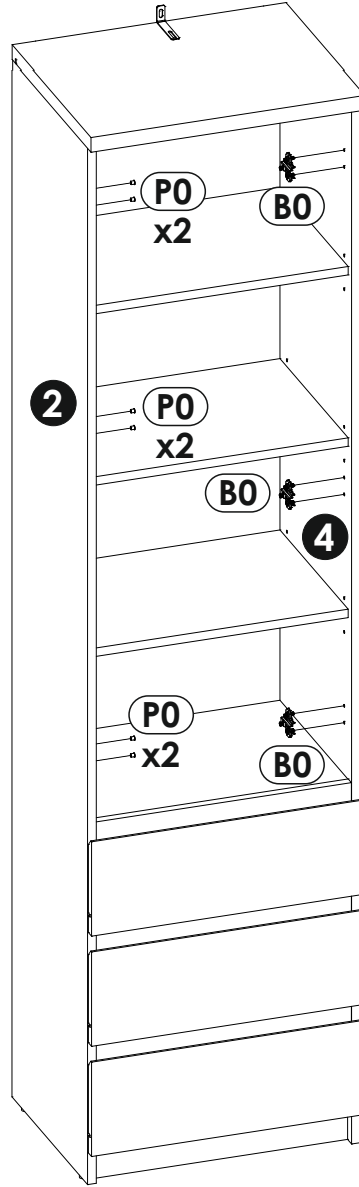
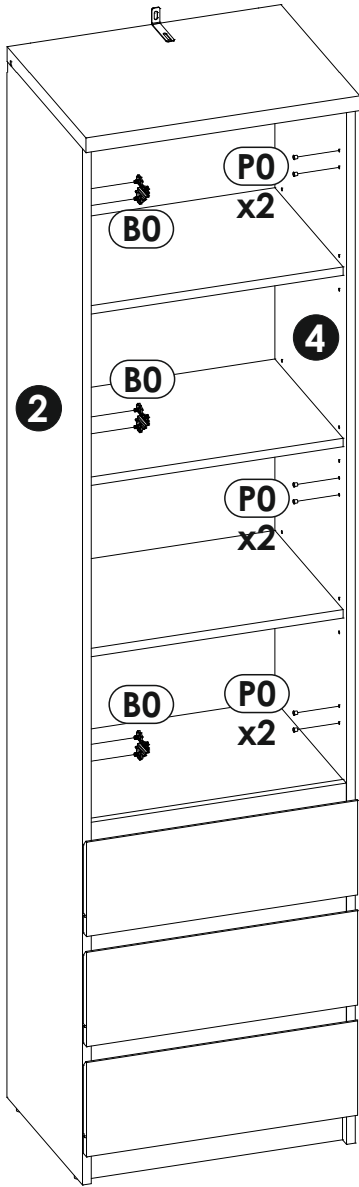
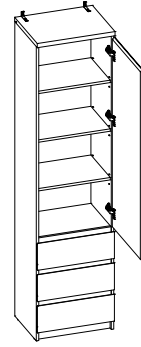
25 ▶



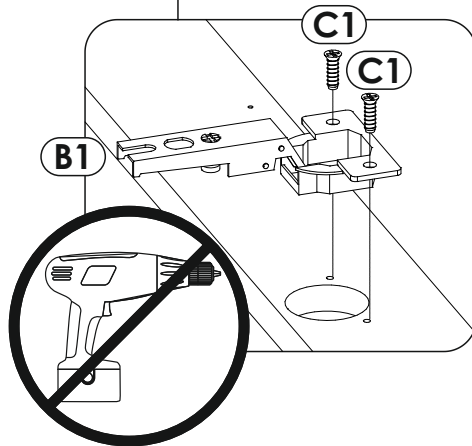
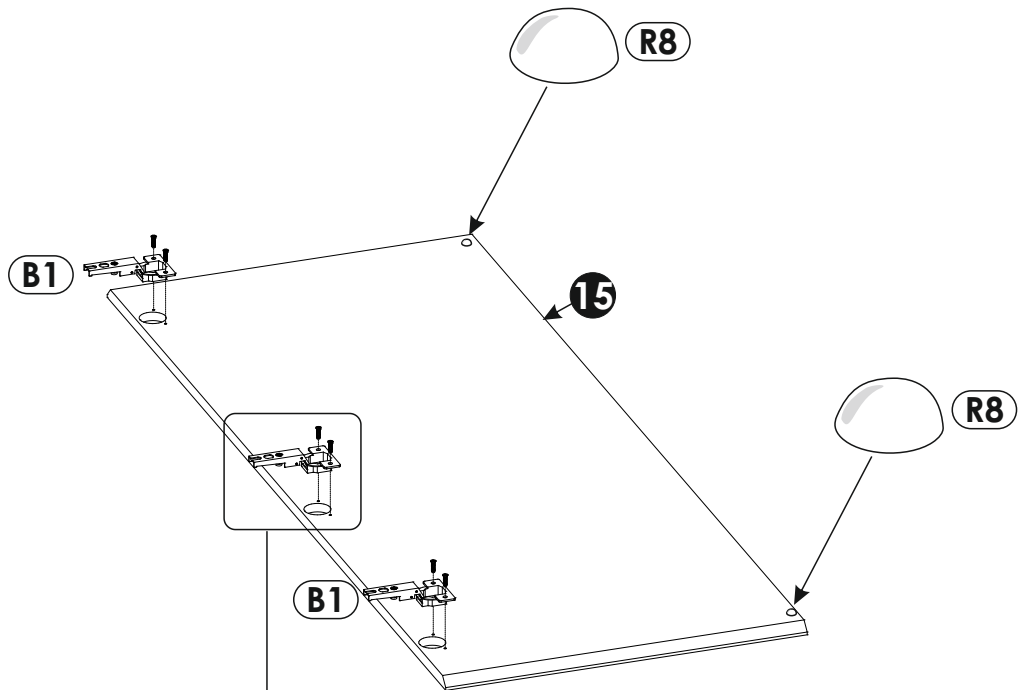
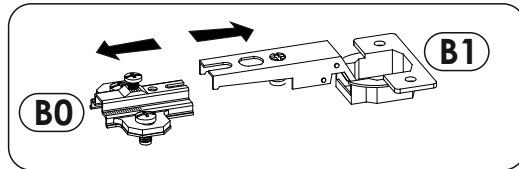
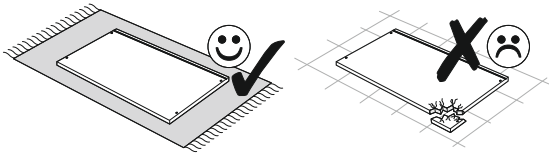
L

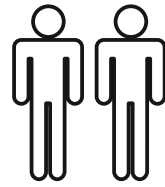
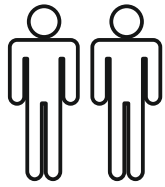


R



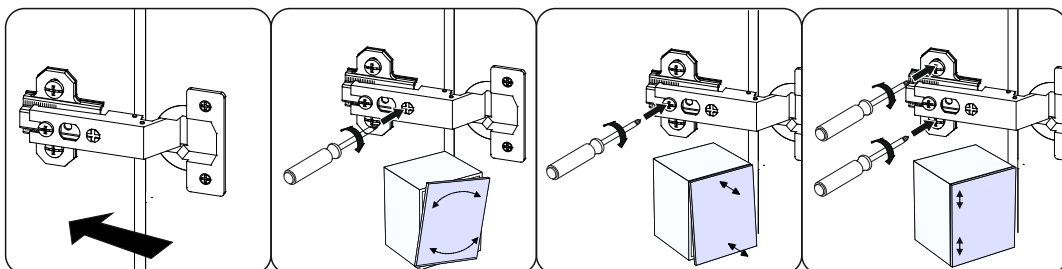
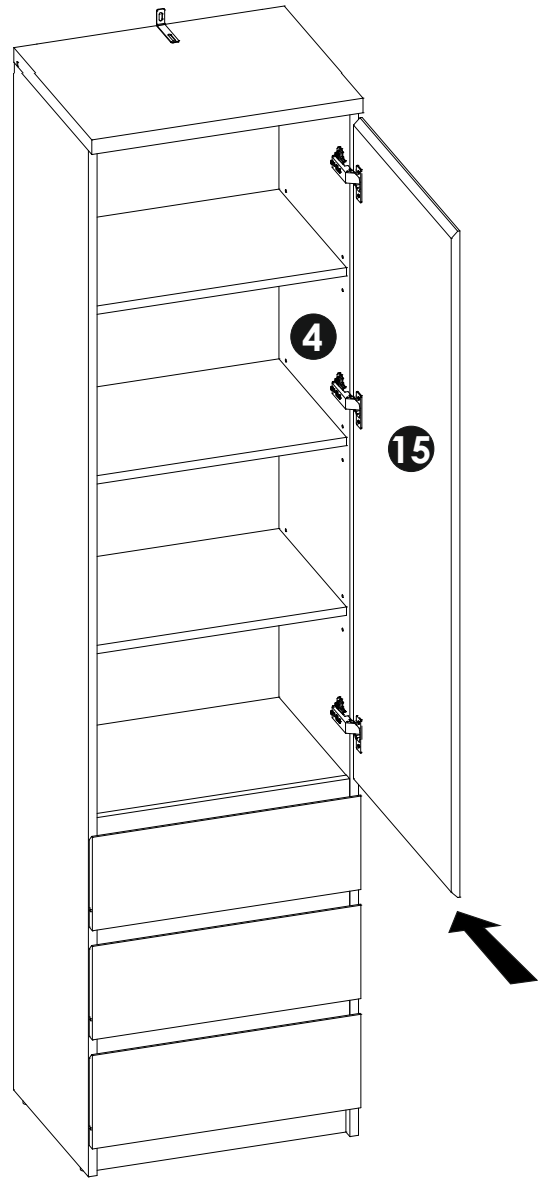
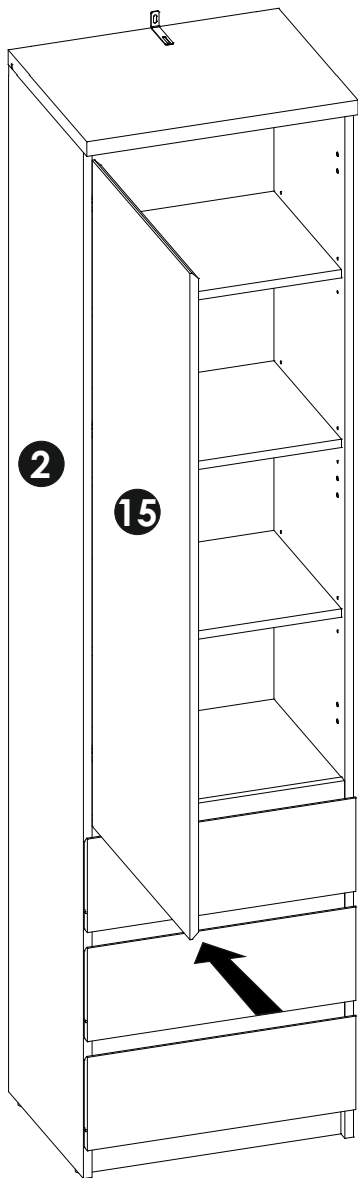
26▶

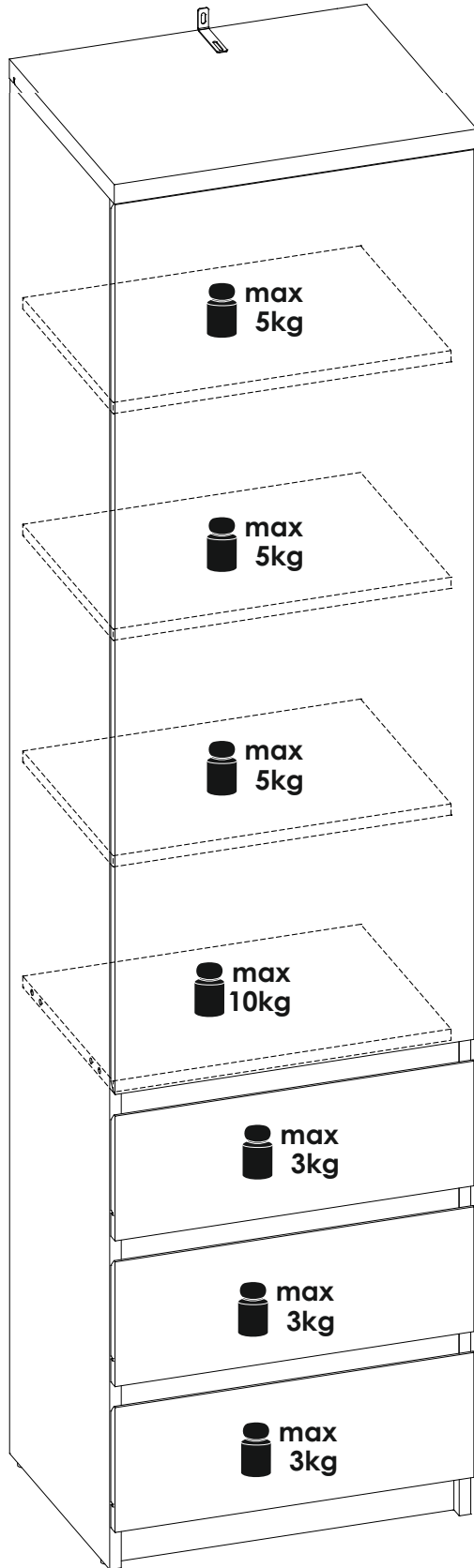


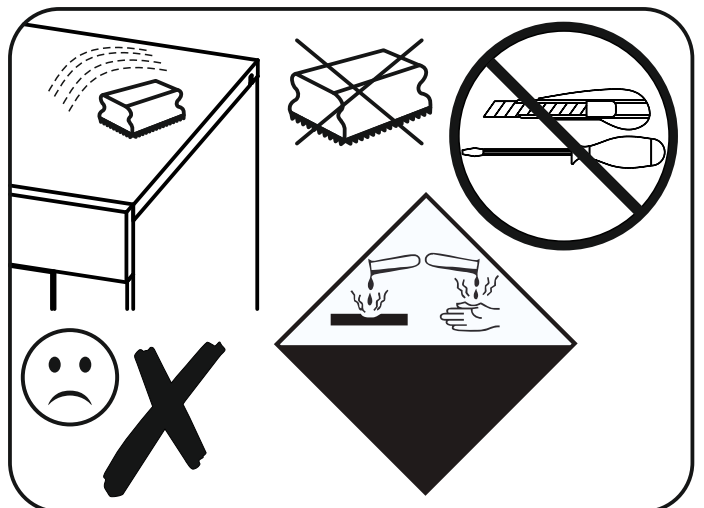
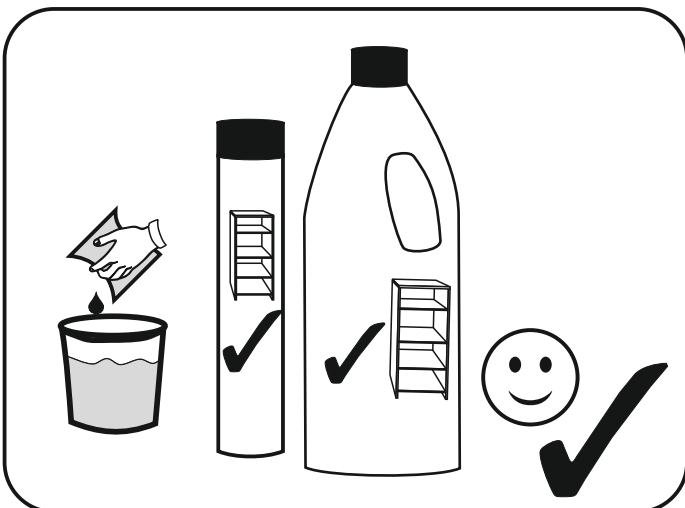
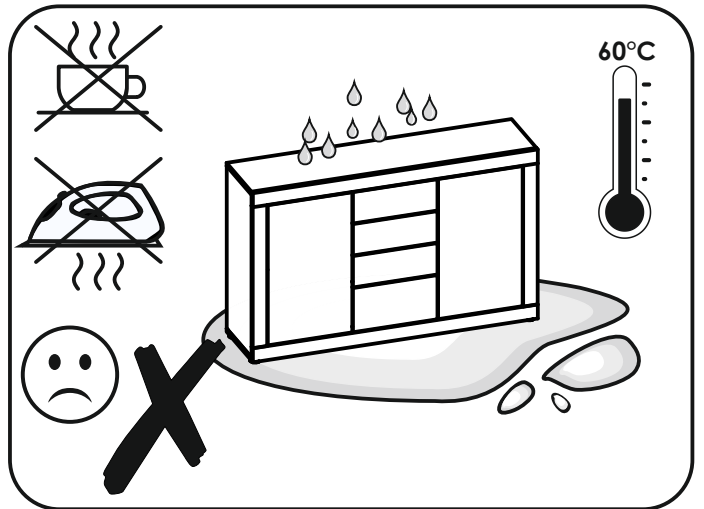
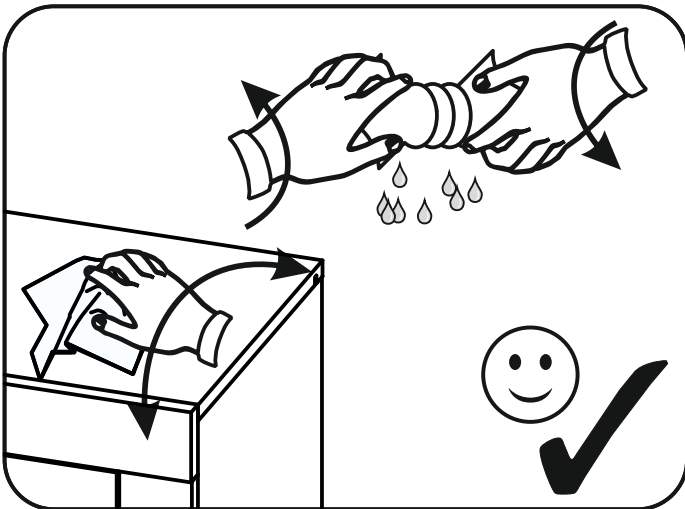
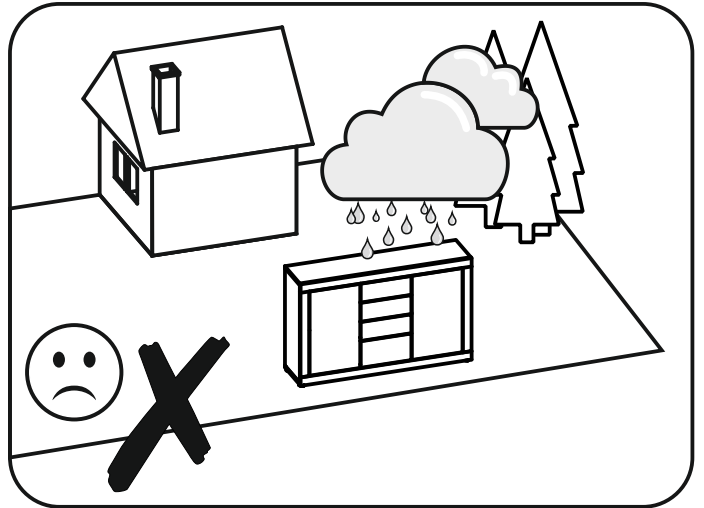


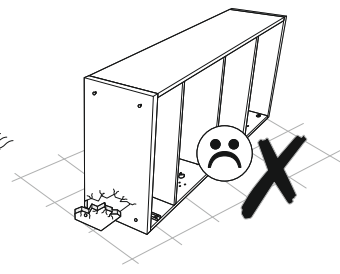
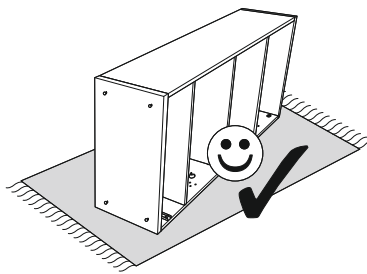
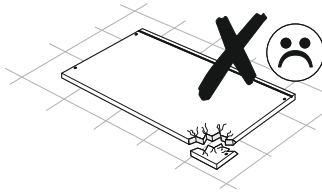
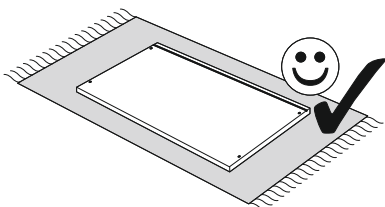
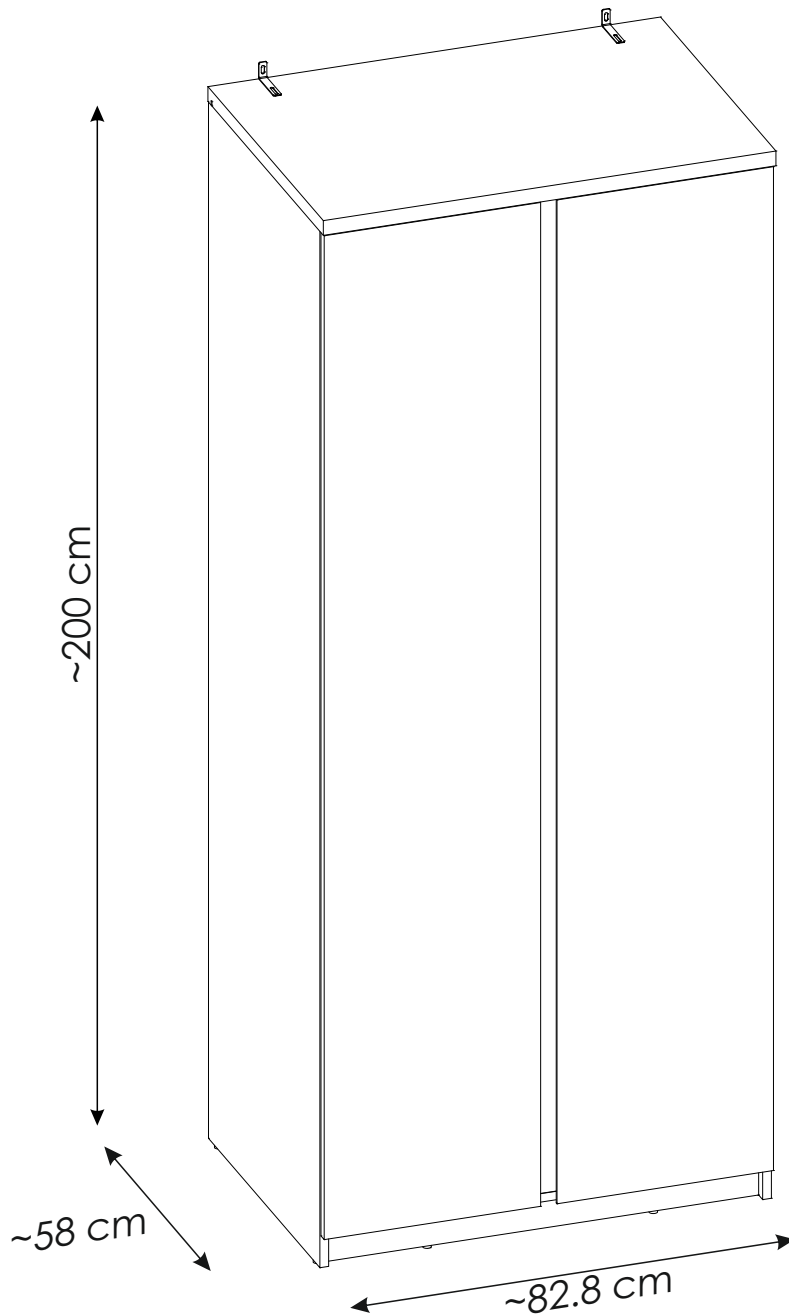
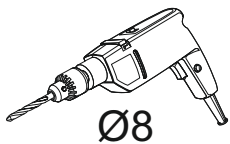
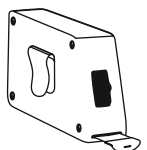
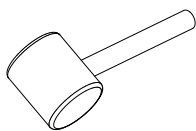
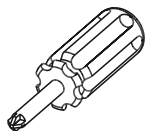
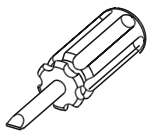
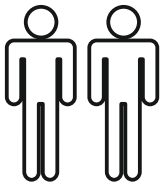
L

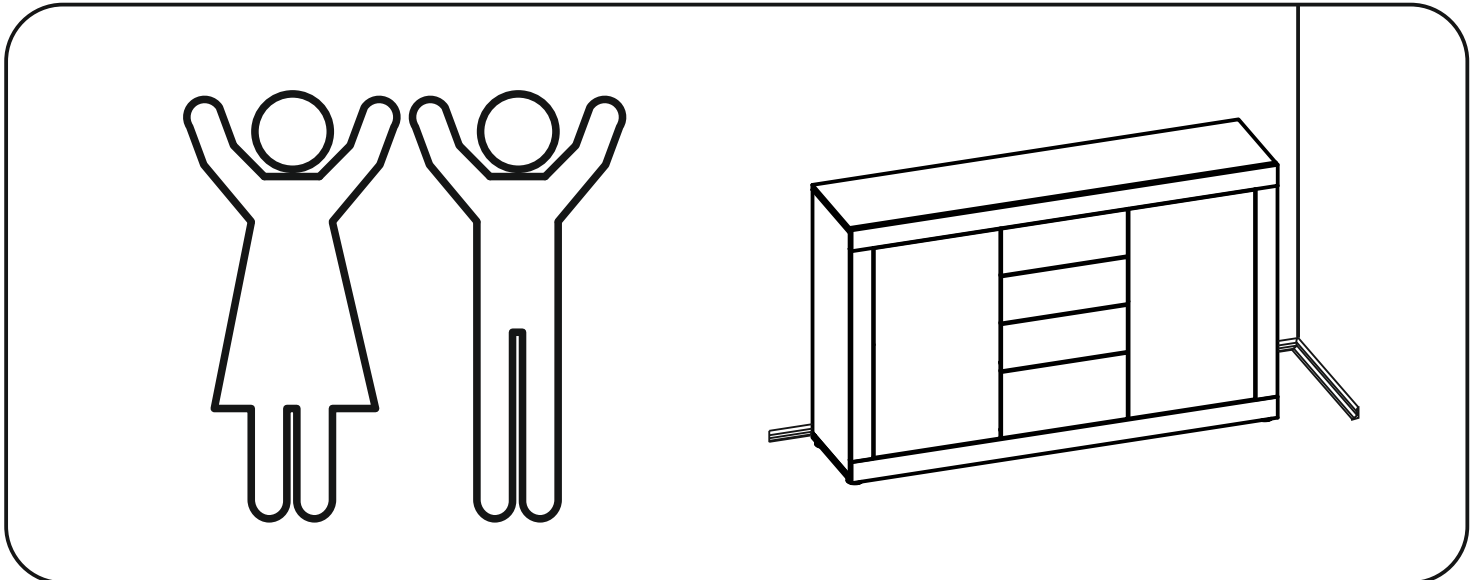
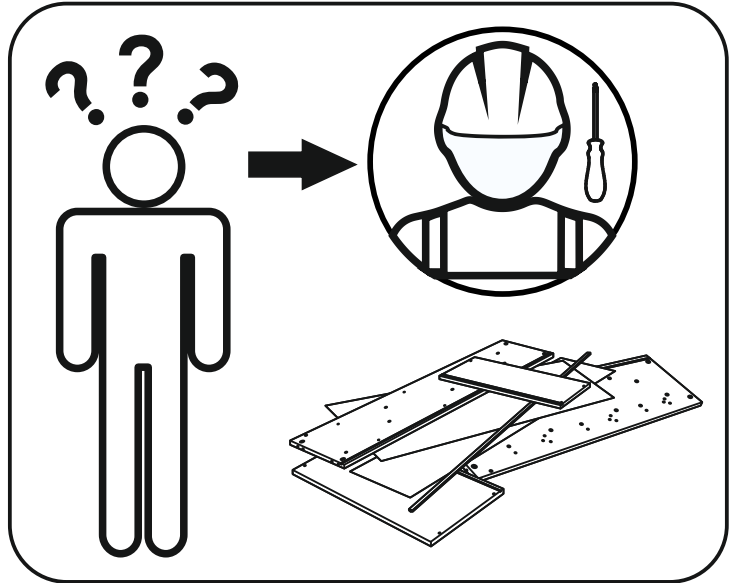
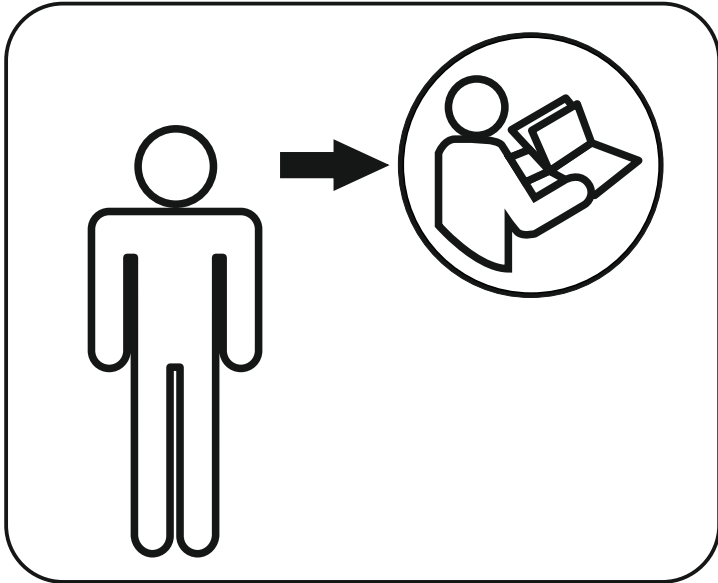
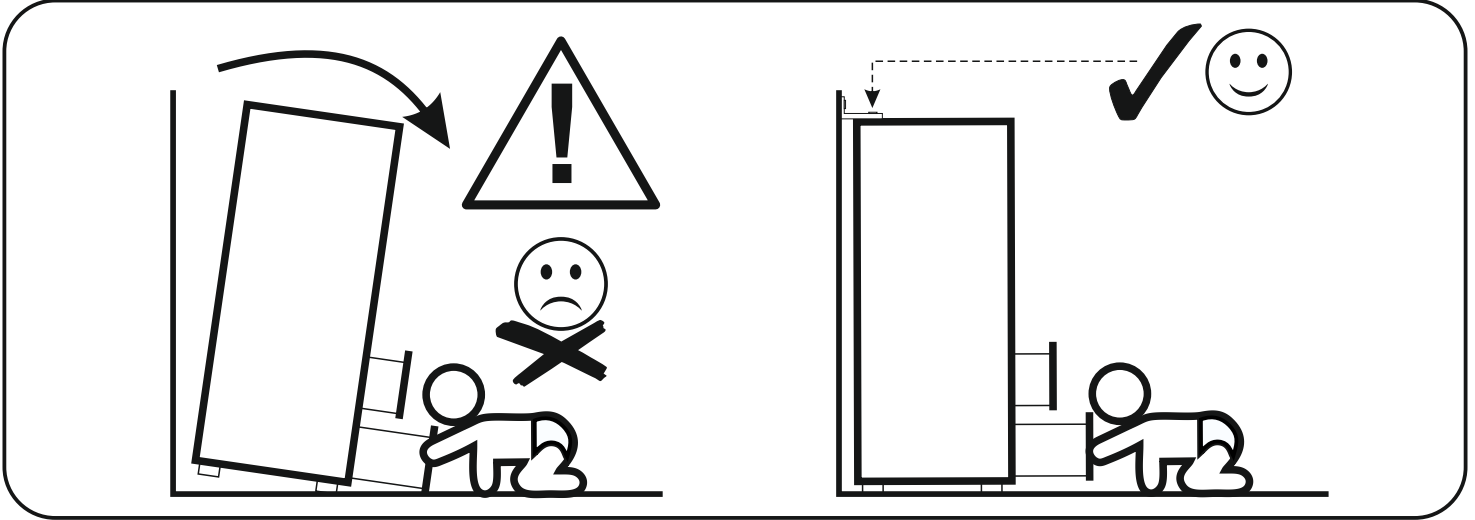
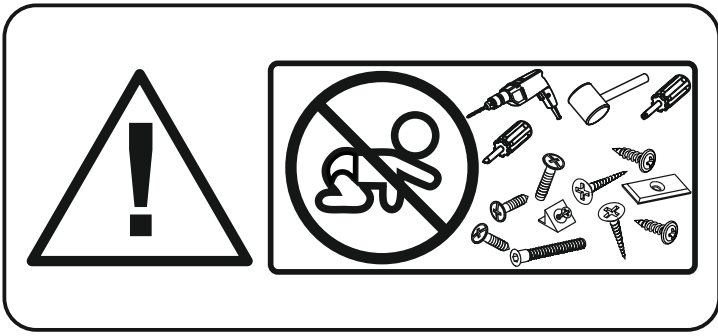
R

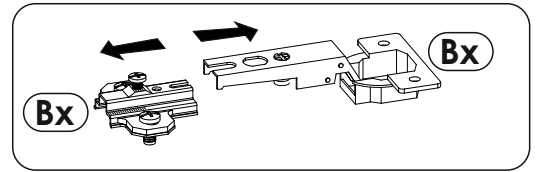
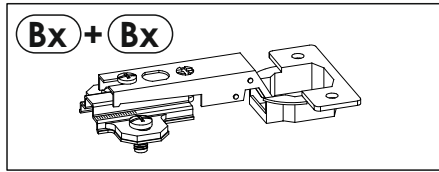
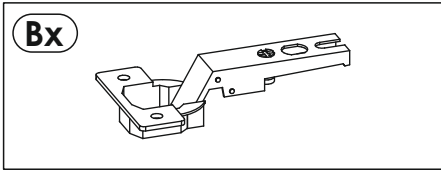
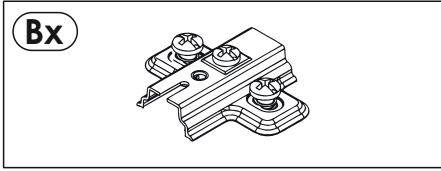


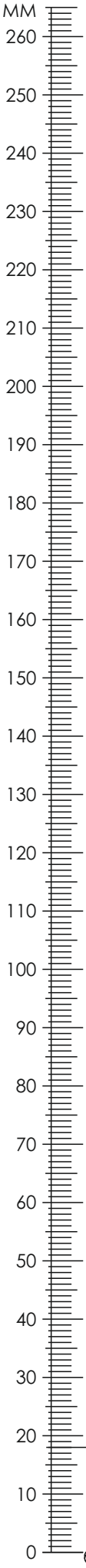


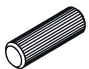
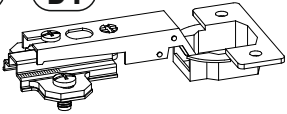

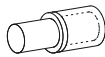


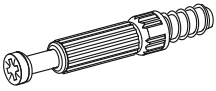

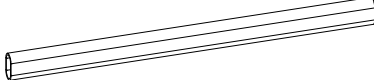


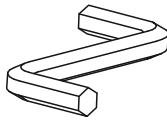
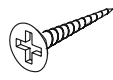
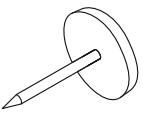
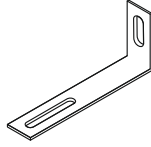
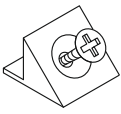
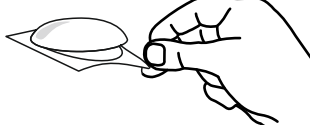
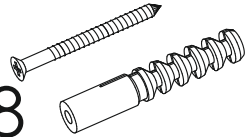
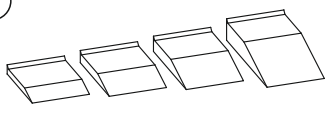
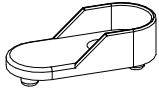


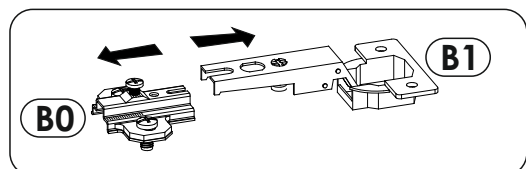


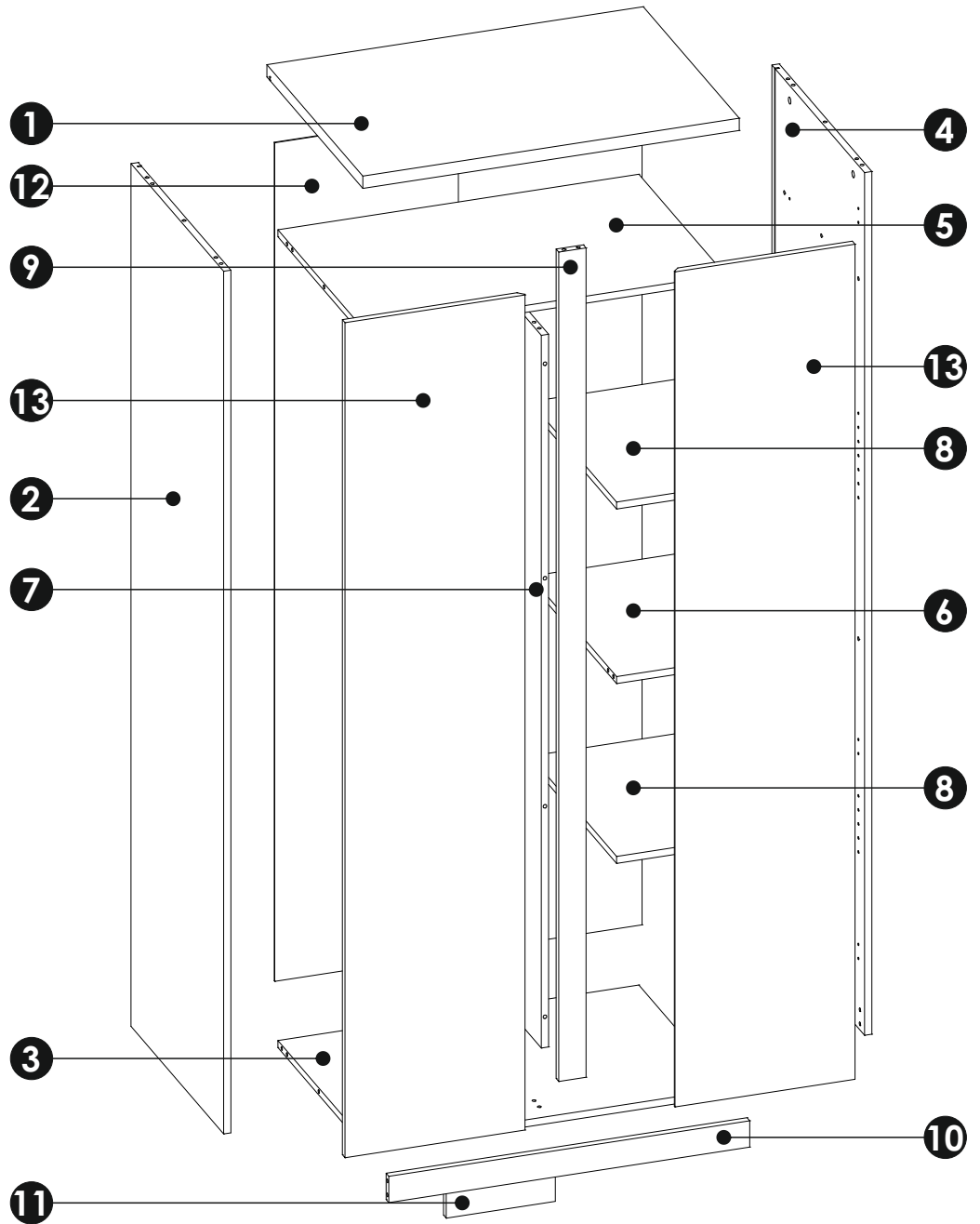
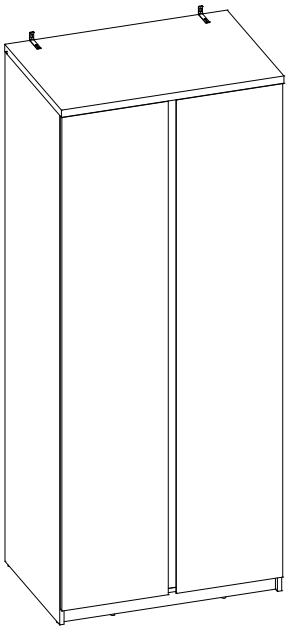






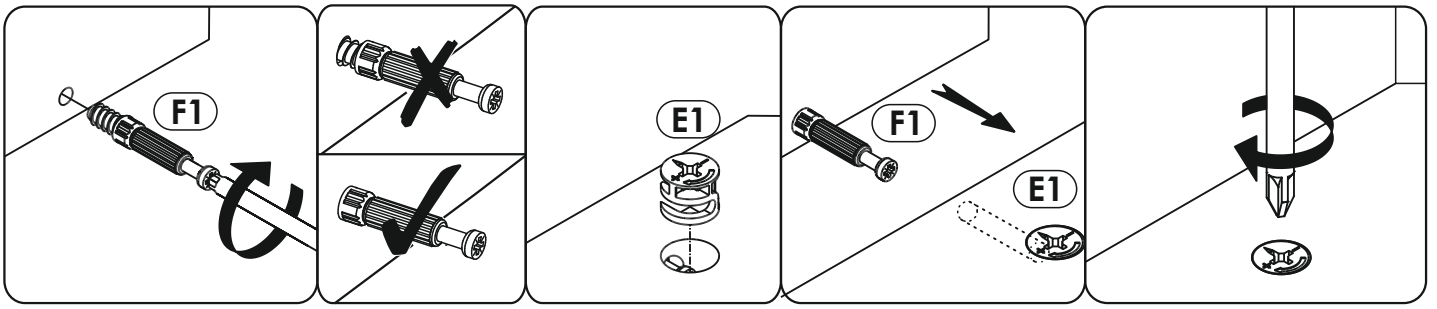
A1 8 x 35 mm x37 	B0 + B1 x8 	C1 4 x 13 mm x16 
D2 x8 	E0 x19 	E1 15 x 12 mm x25 
F1 6 x 34 mm x25 	G1 7 x 50 mm x2 	H2 L - 380 mm x1 
I2 4 x 16 mm x2 	J4 3,5 x 16 mm x2 	M x1 
N1 3 X 16 mm x10 	O2 x8 	Q9 x2 
R4 x12 	R8 x4 	S13 x2 Ø8 
Z x1 	Z1 x2 	



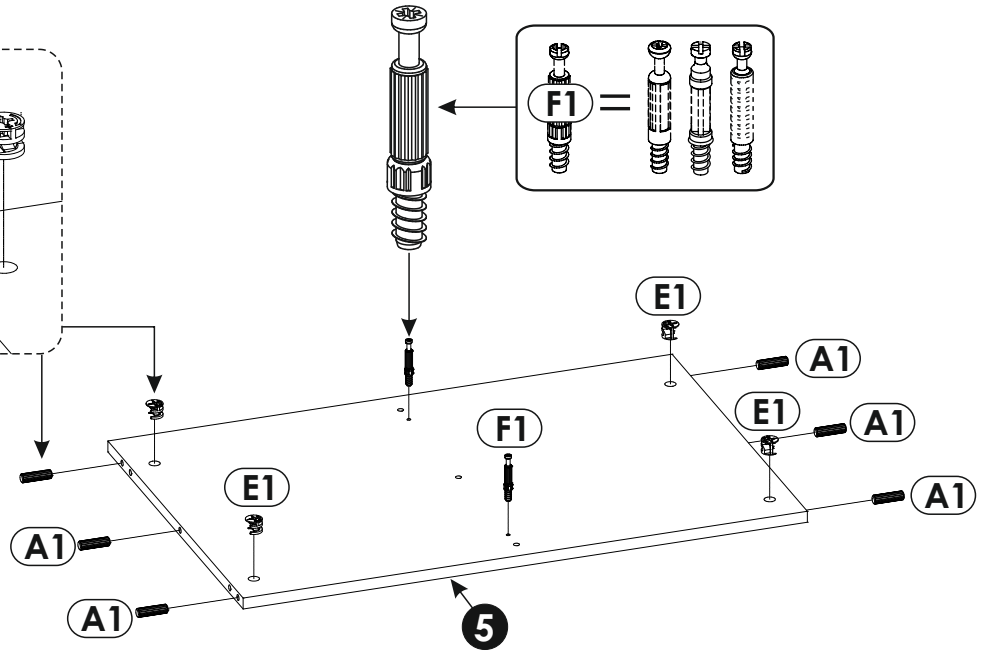
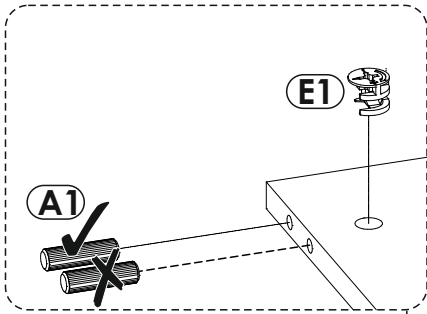
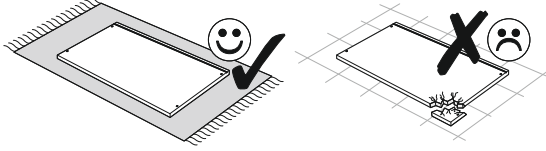


1	828	580	28	x1	1/3
2	1967	560	16	x1	2/3
3	794	540	16	x1	1/3
4	1967	560	16	x1	2/3
5	794	523	16	x1	1/3
6	389	522	16	x1	1/3

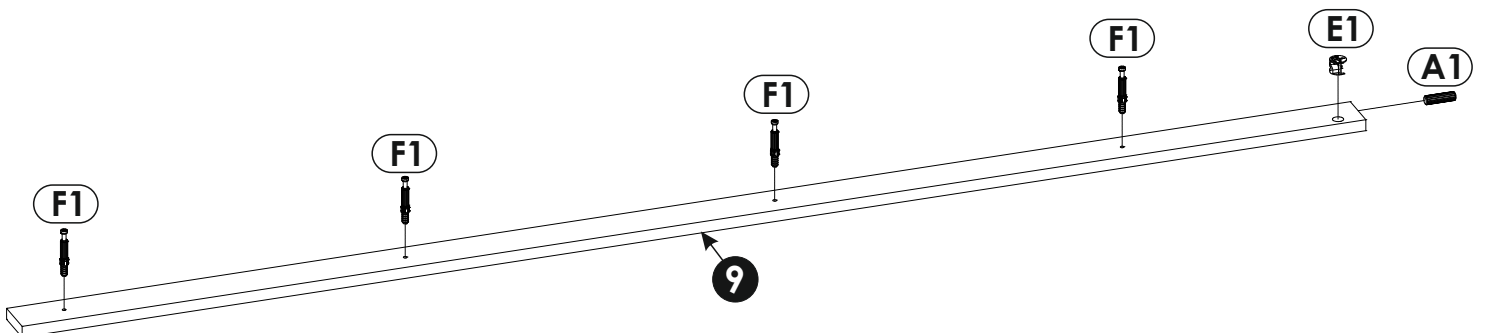
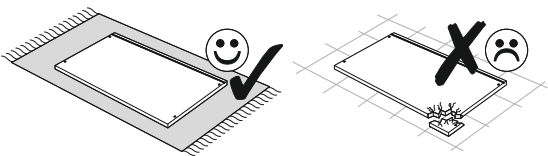
7	1625	523	16	x1	3/3
8	389	522	16	x2	1/3
9	1891	60	16	x1	3/3
10	794	60	16	x1	1/3
11	240	60	16	x1	1/3
12	1912	808	3	x2	2/3
13	1904	396	16	x1	3/3



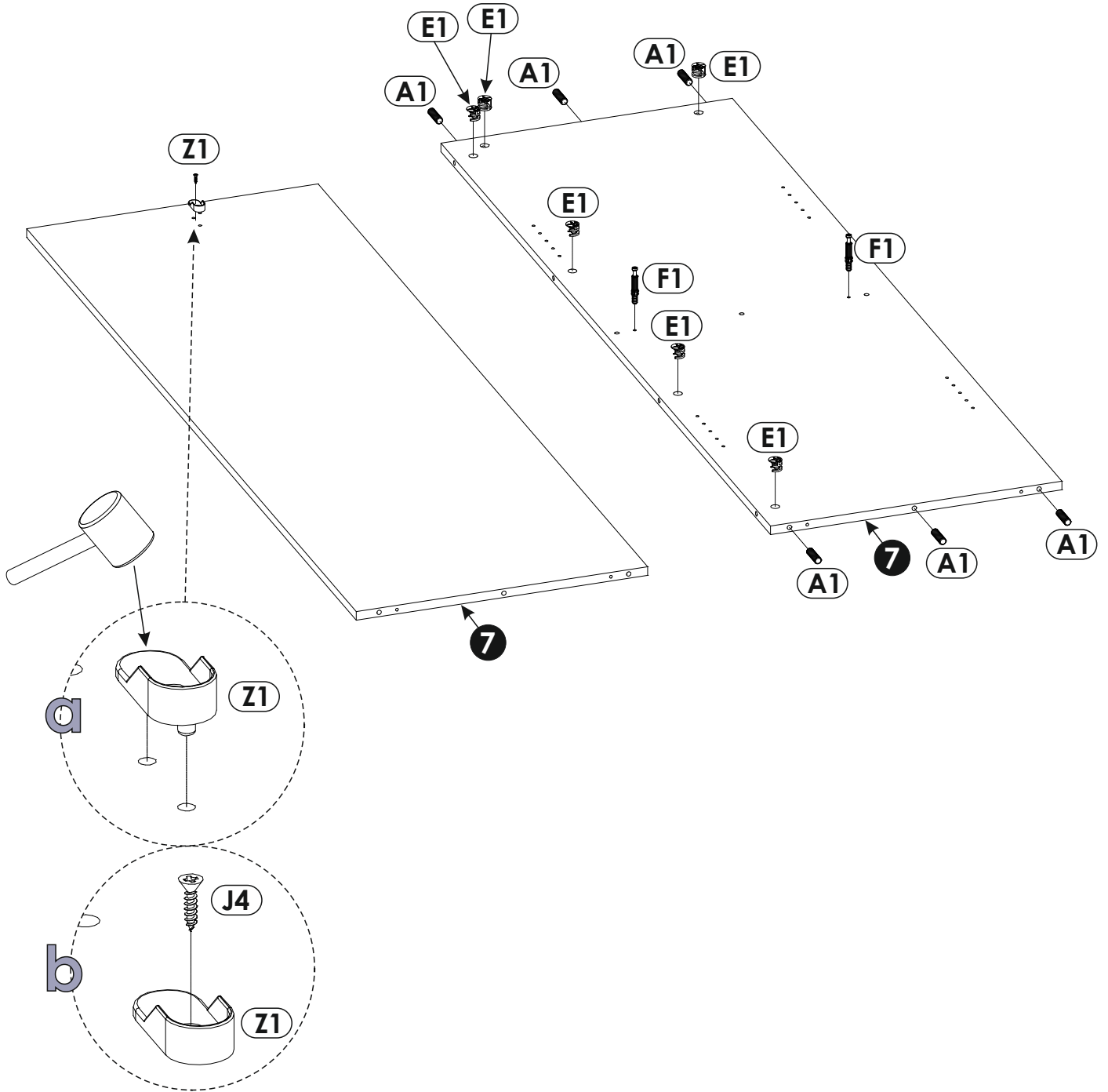
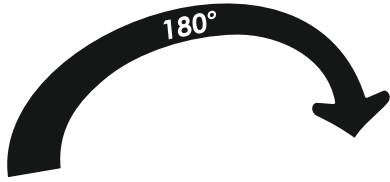
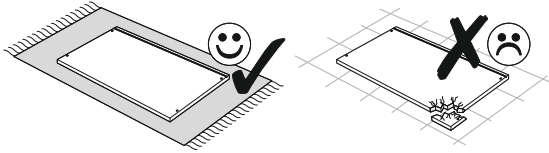
1 ▶



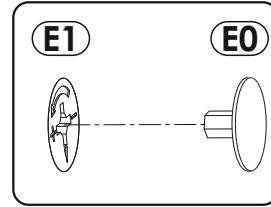
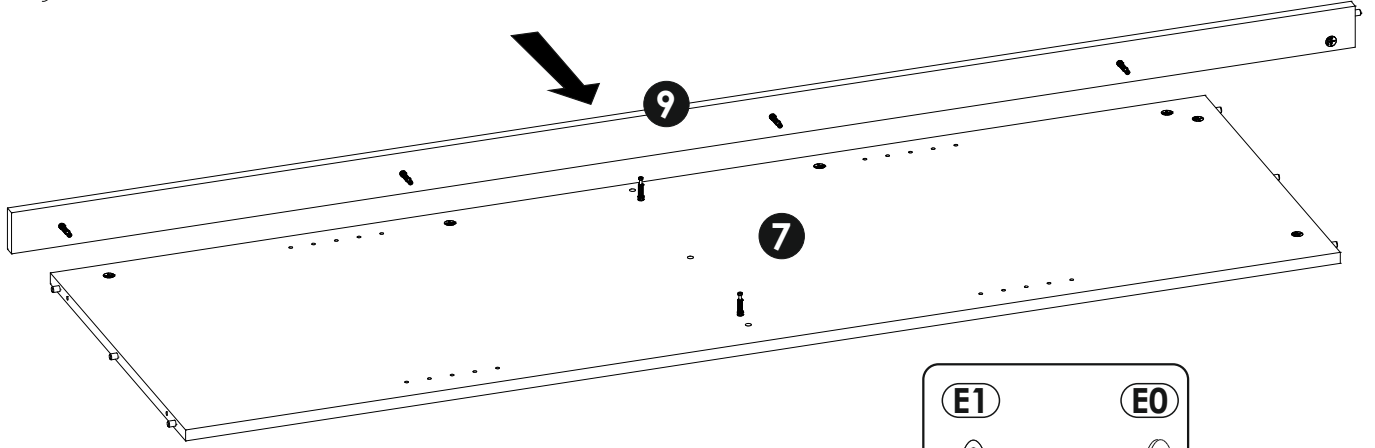
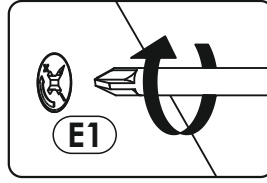
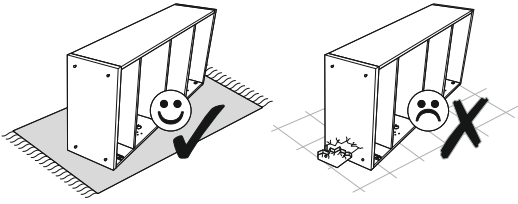
2 ▶



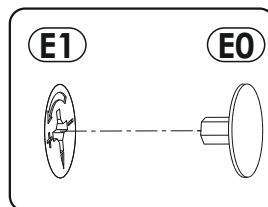
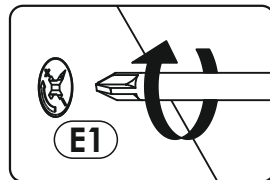
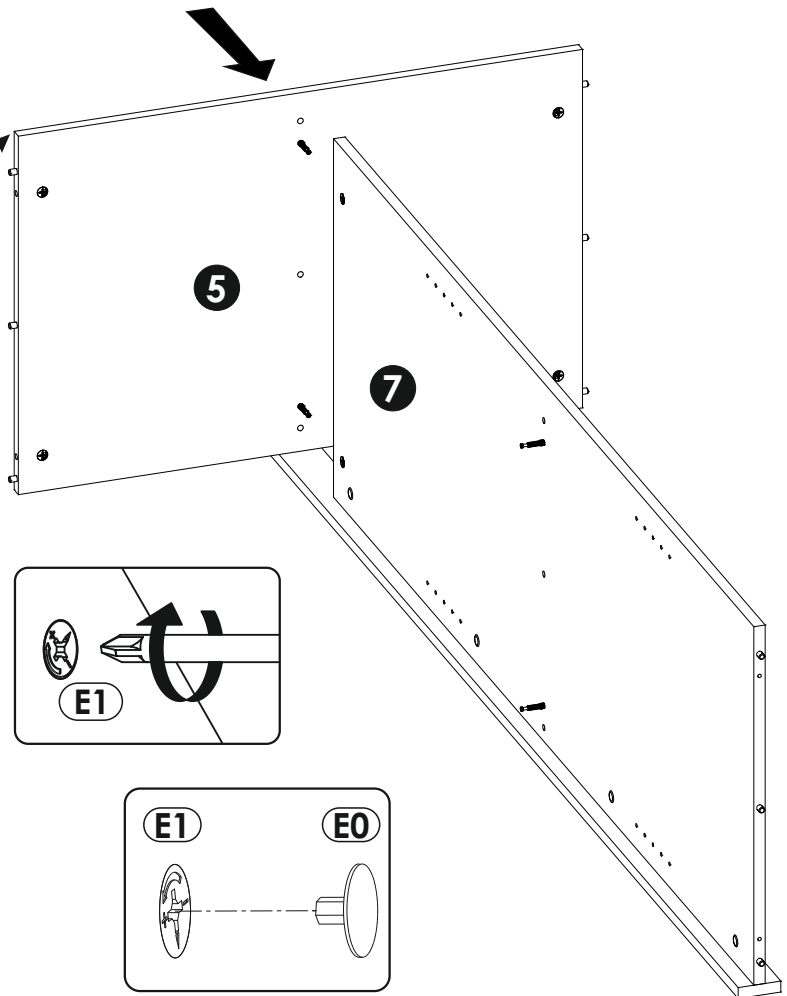
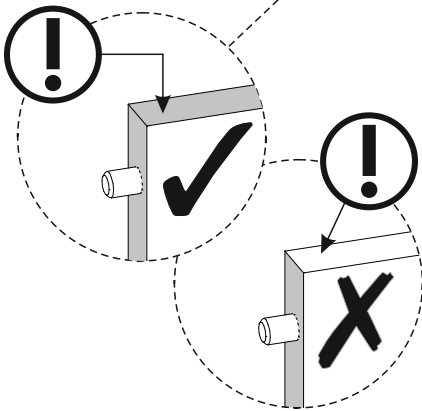
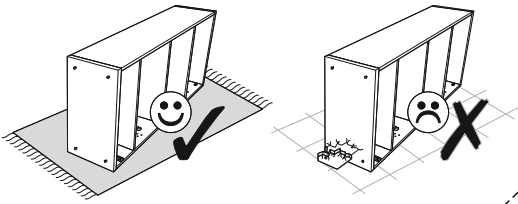
3 ▶



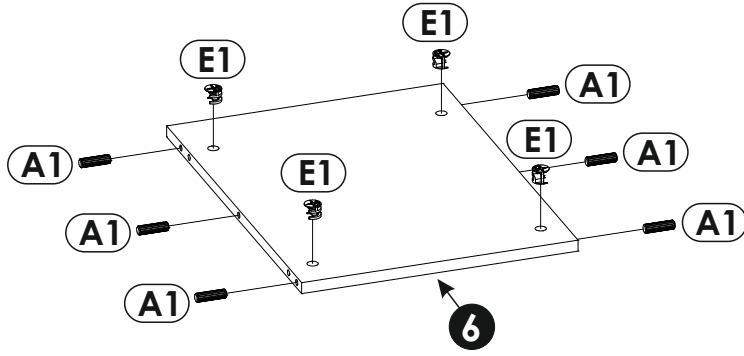
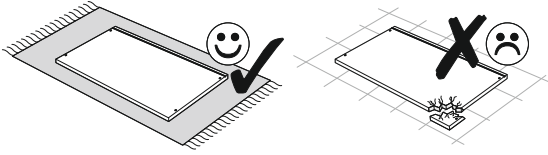
4 ▶



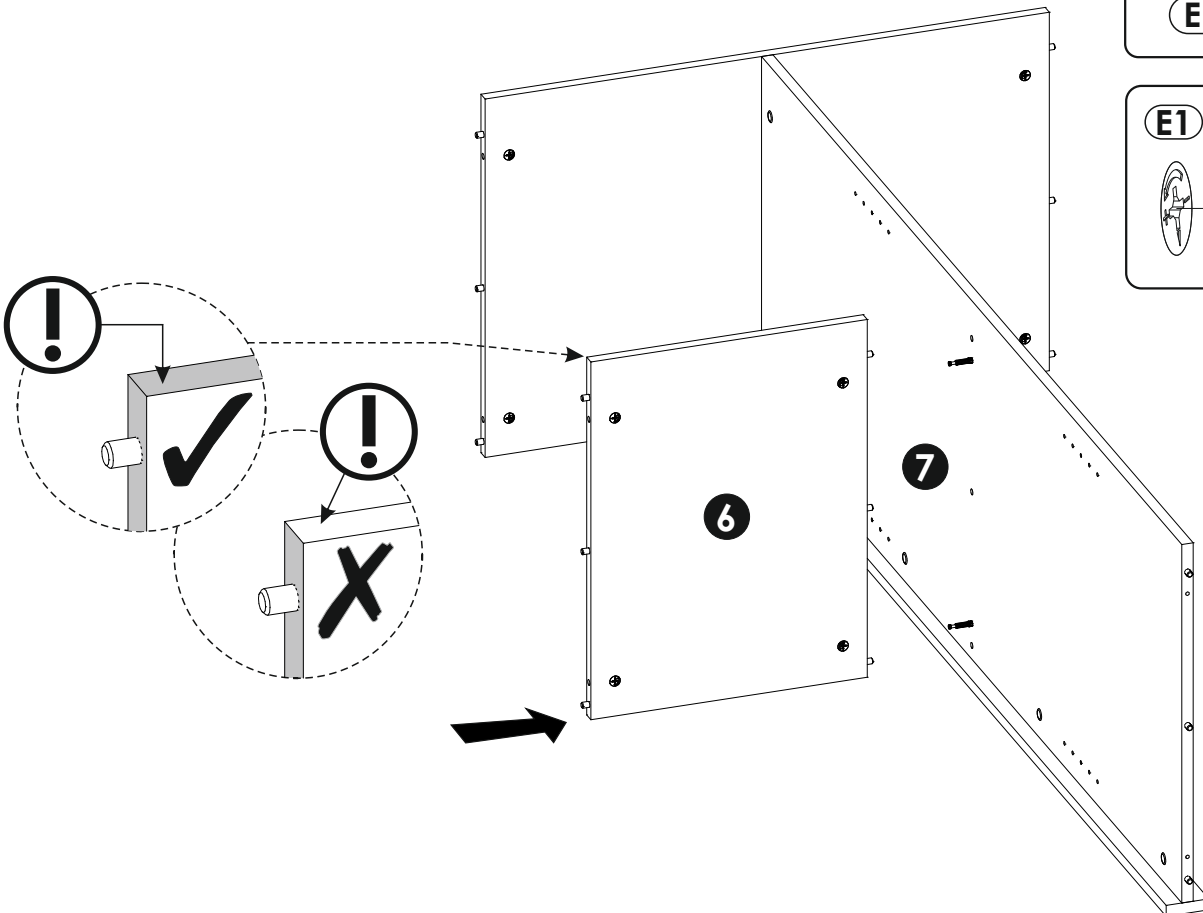
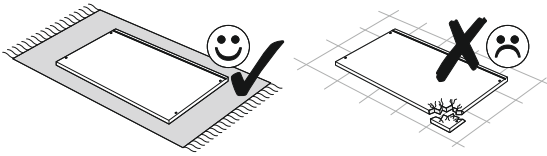
5 ▶



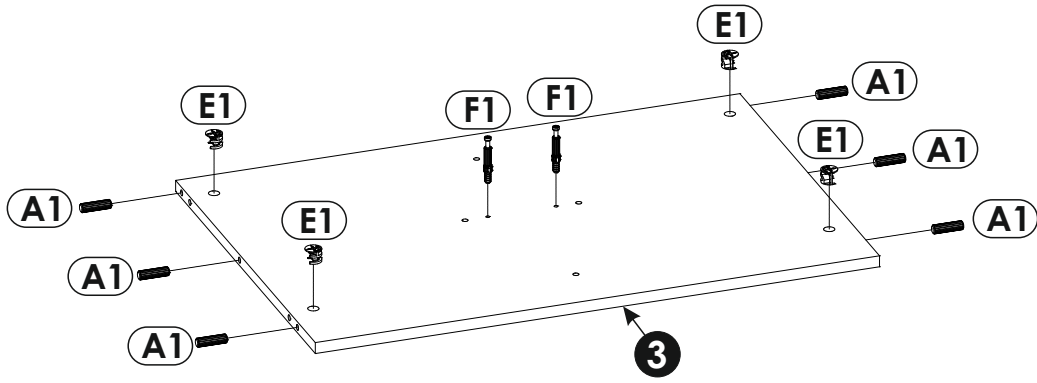
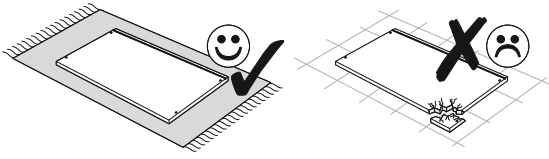
6 ▶



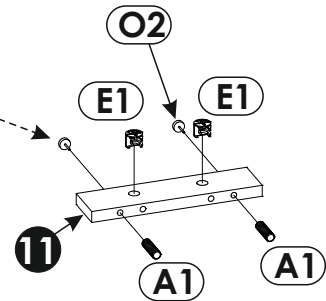
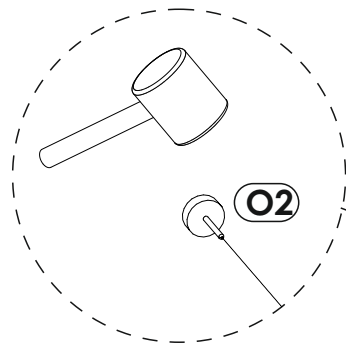
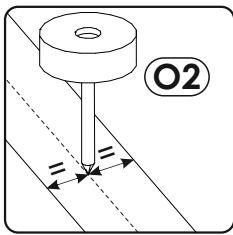
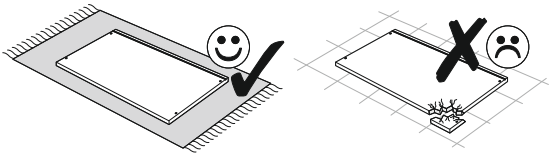
7 ▶



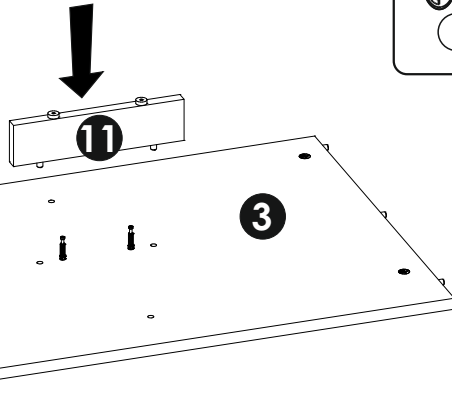
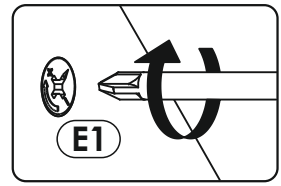
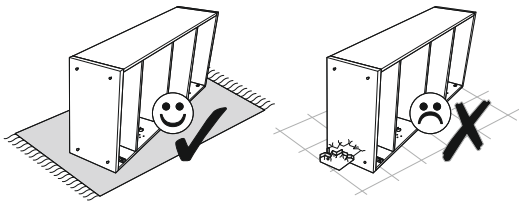
8 ▶



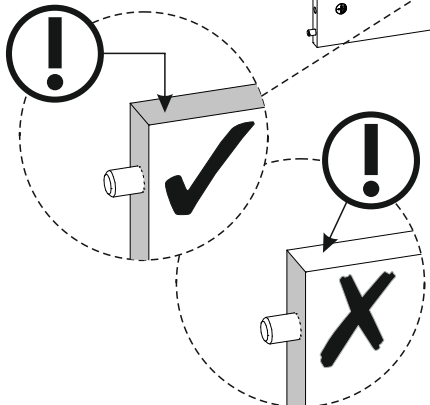
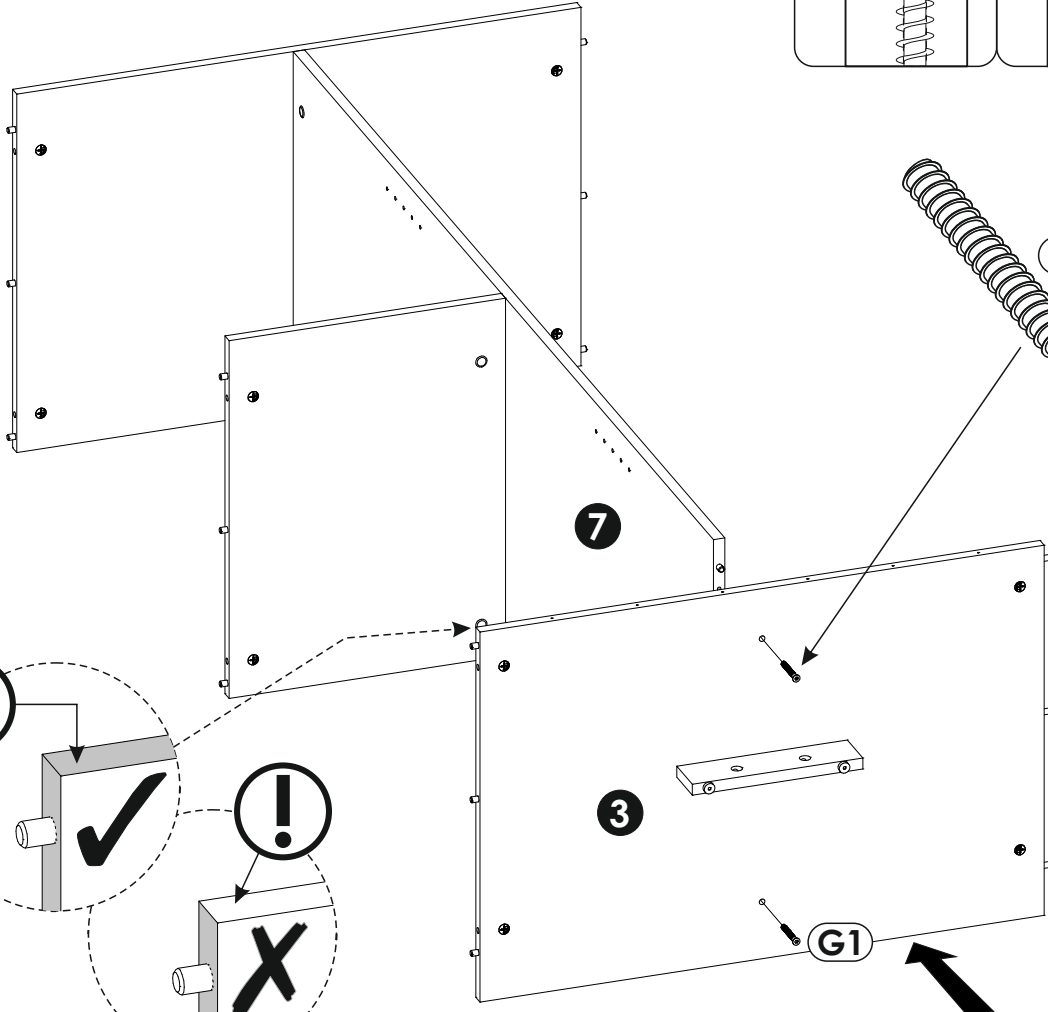
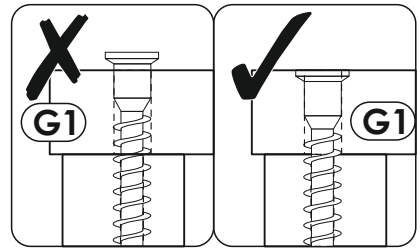
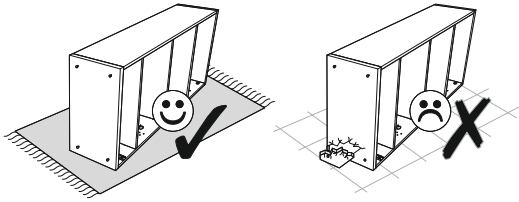
9 ▶



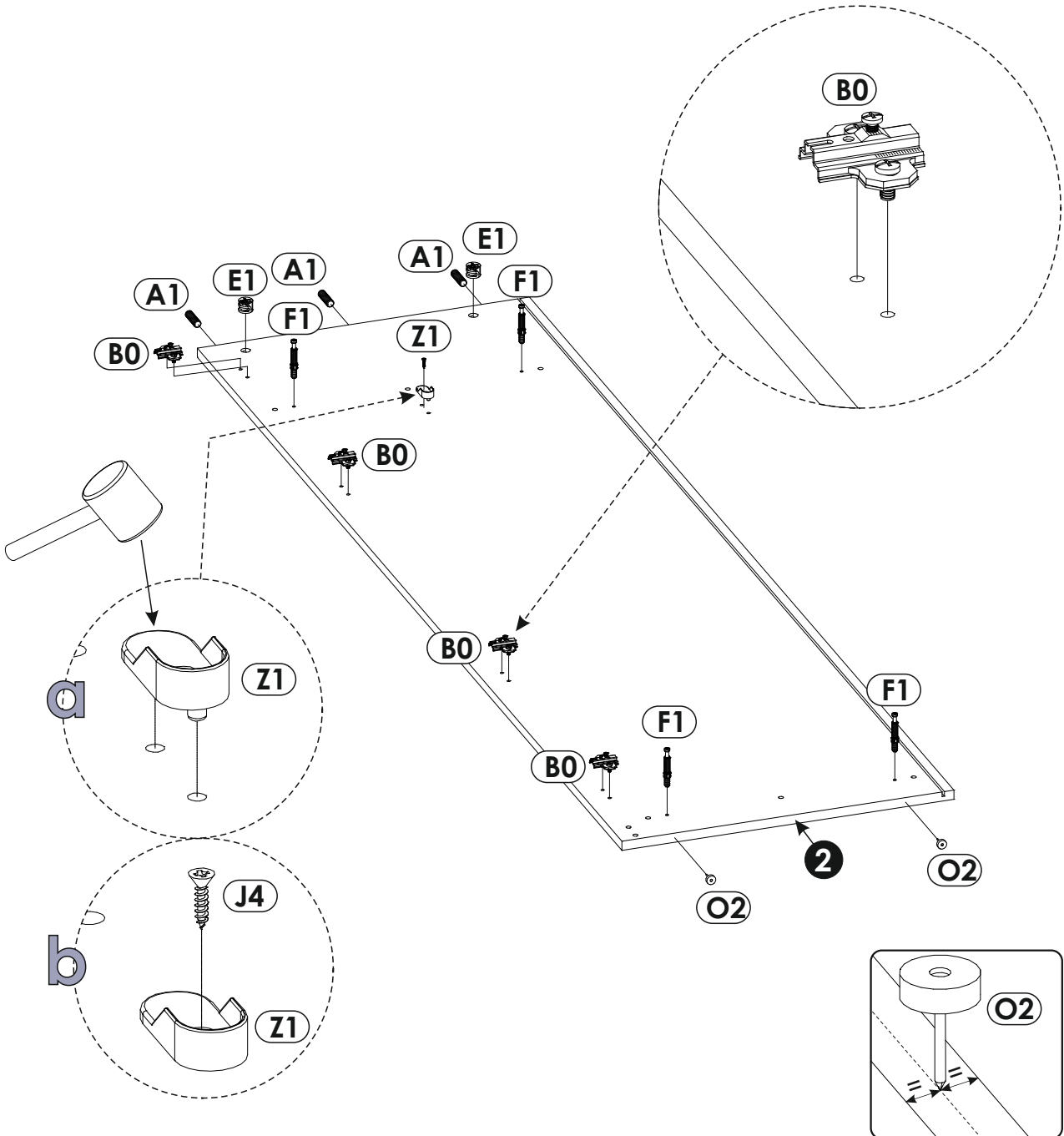
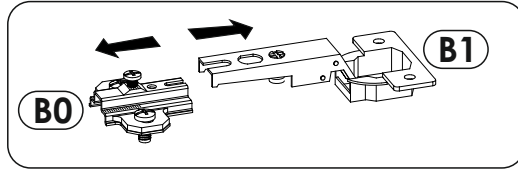
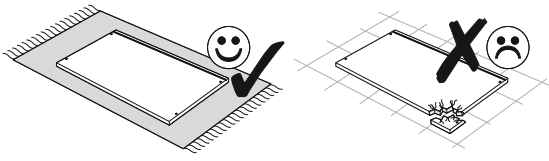
10 ▶



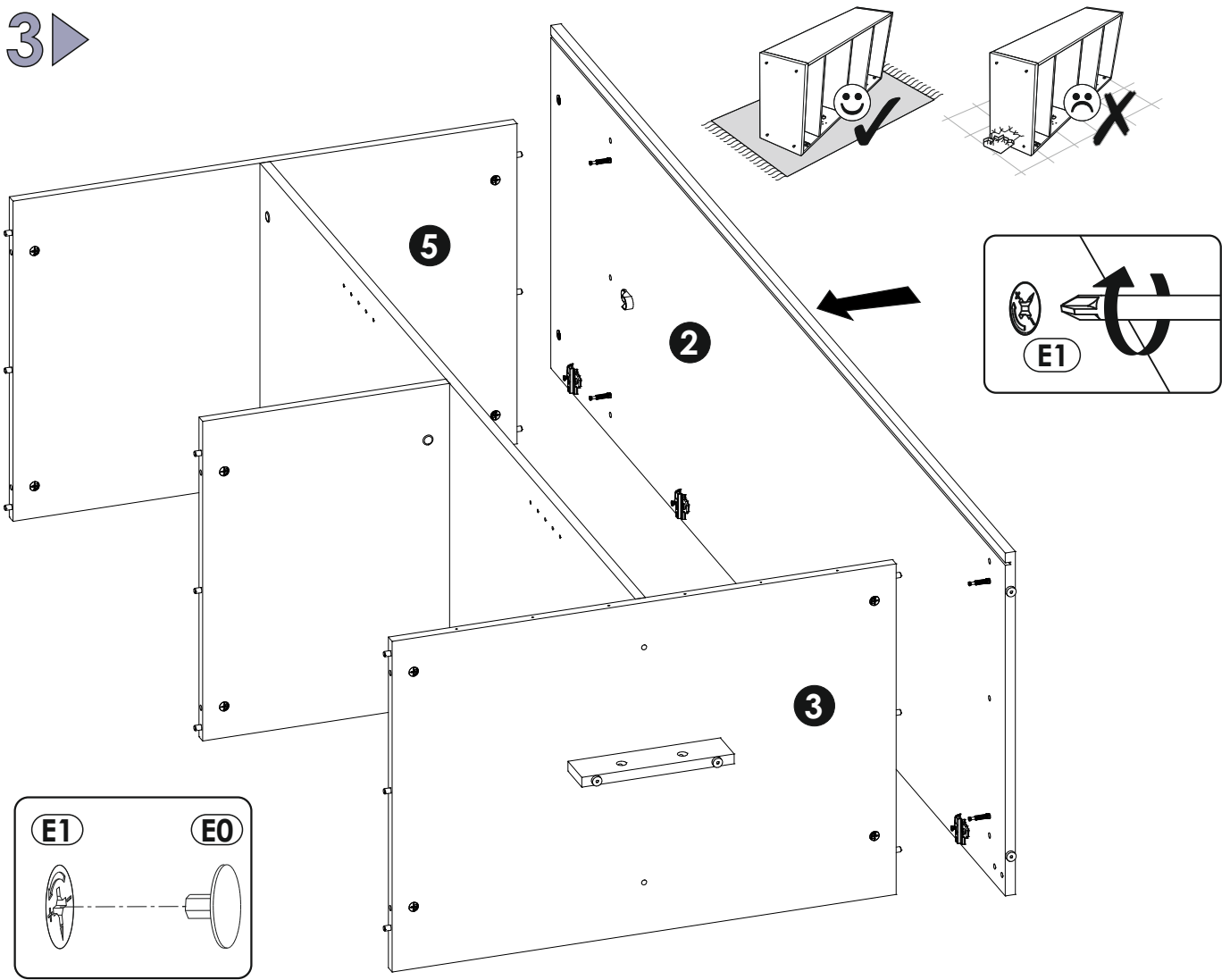
11 ▶



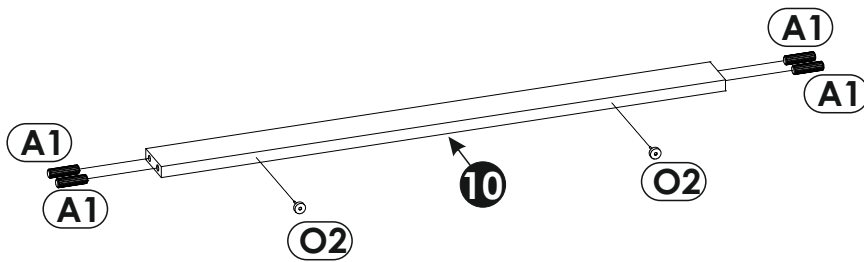
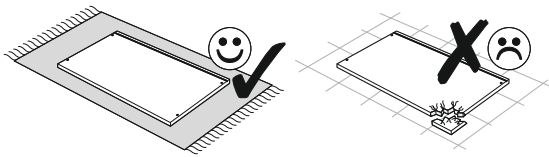
12 ▶



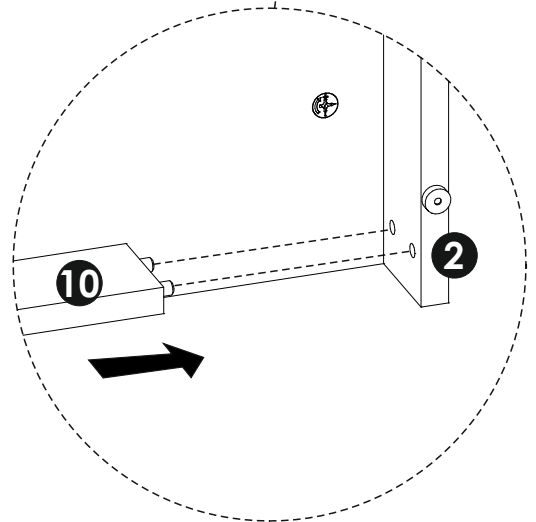
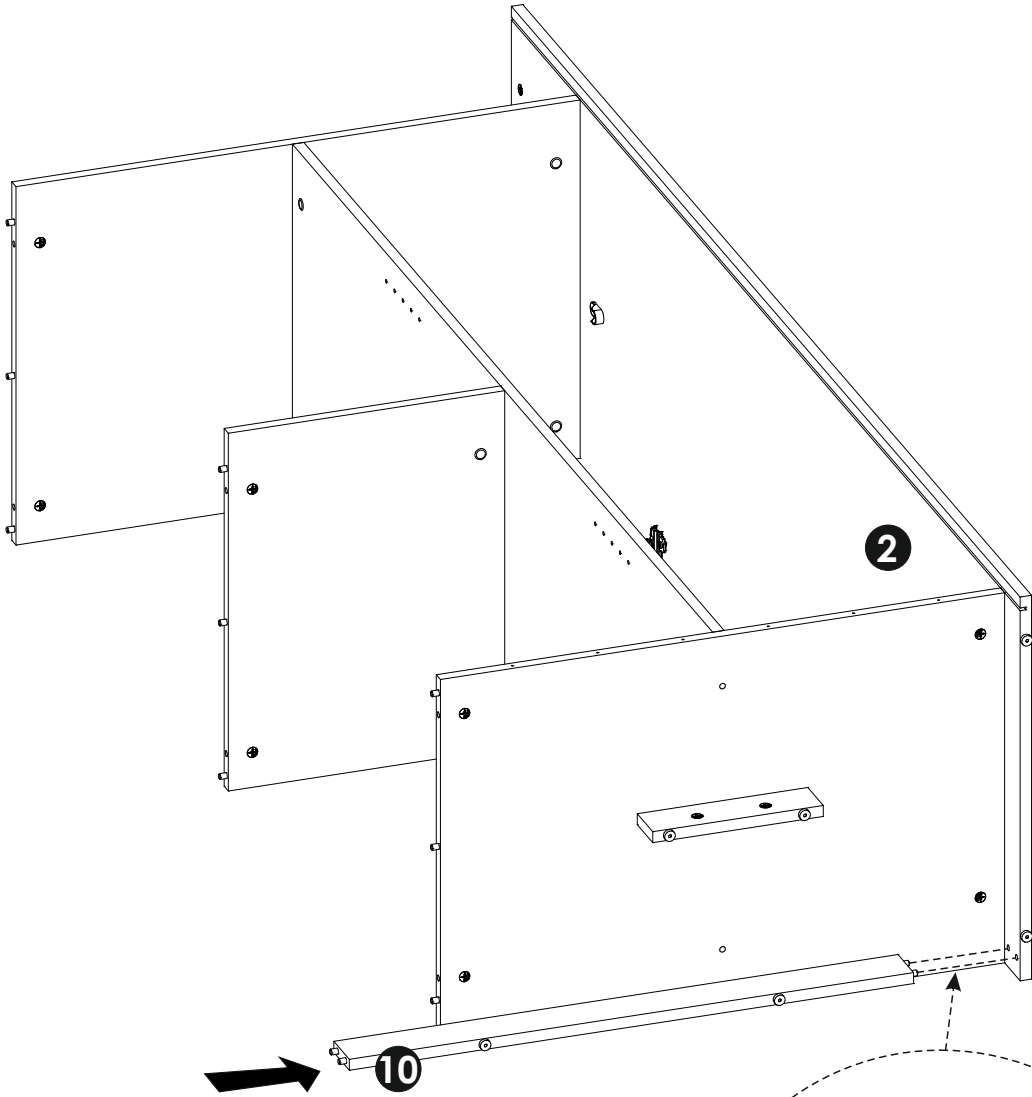
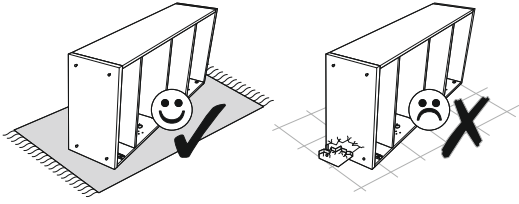
13 ▶



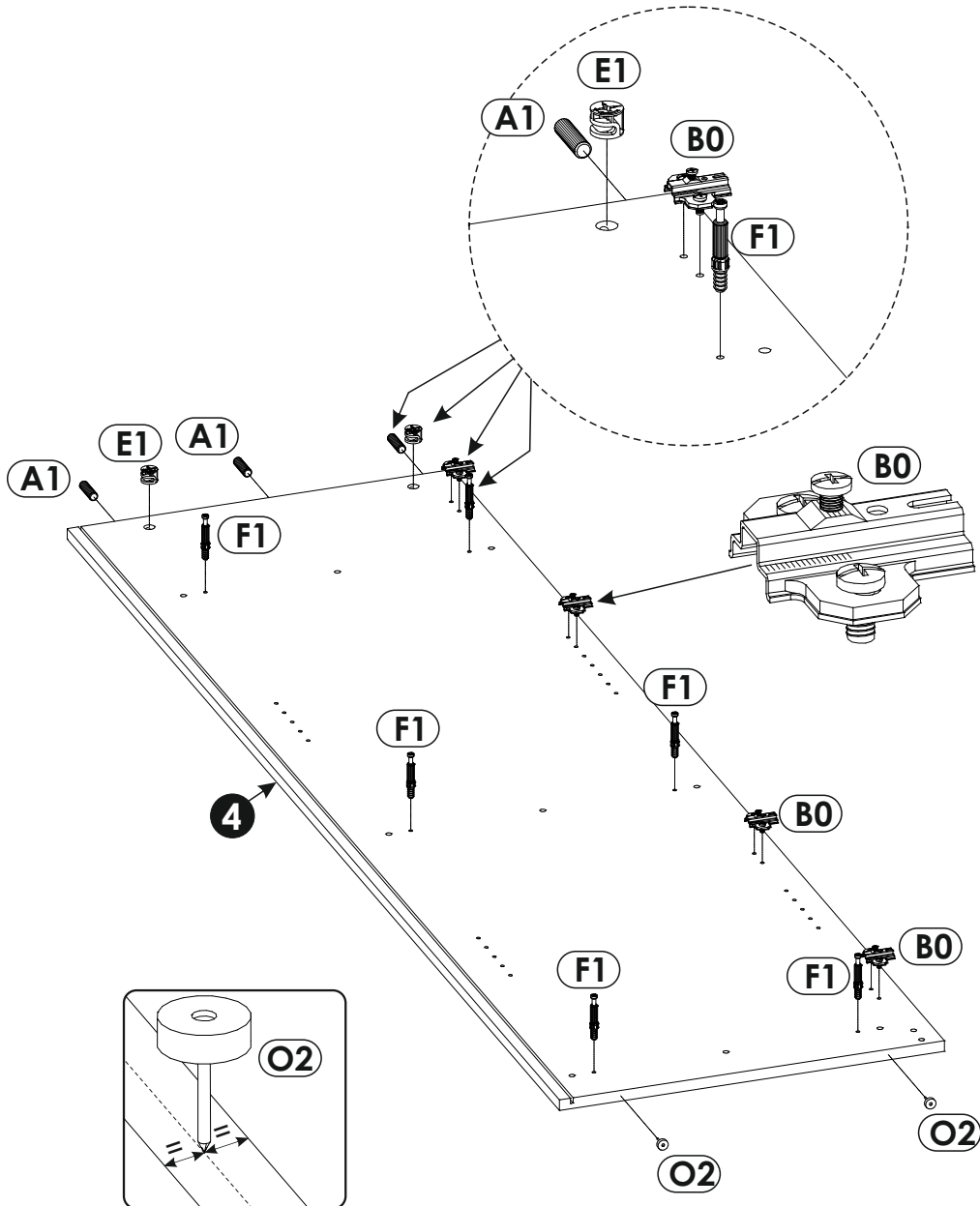
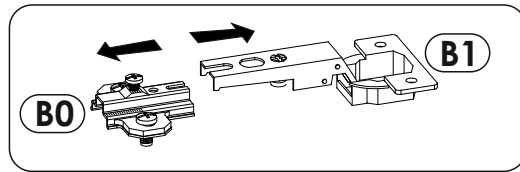
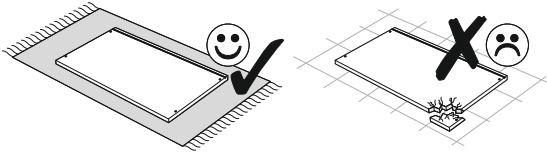
14 ▶



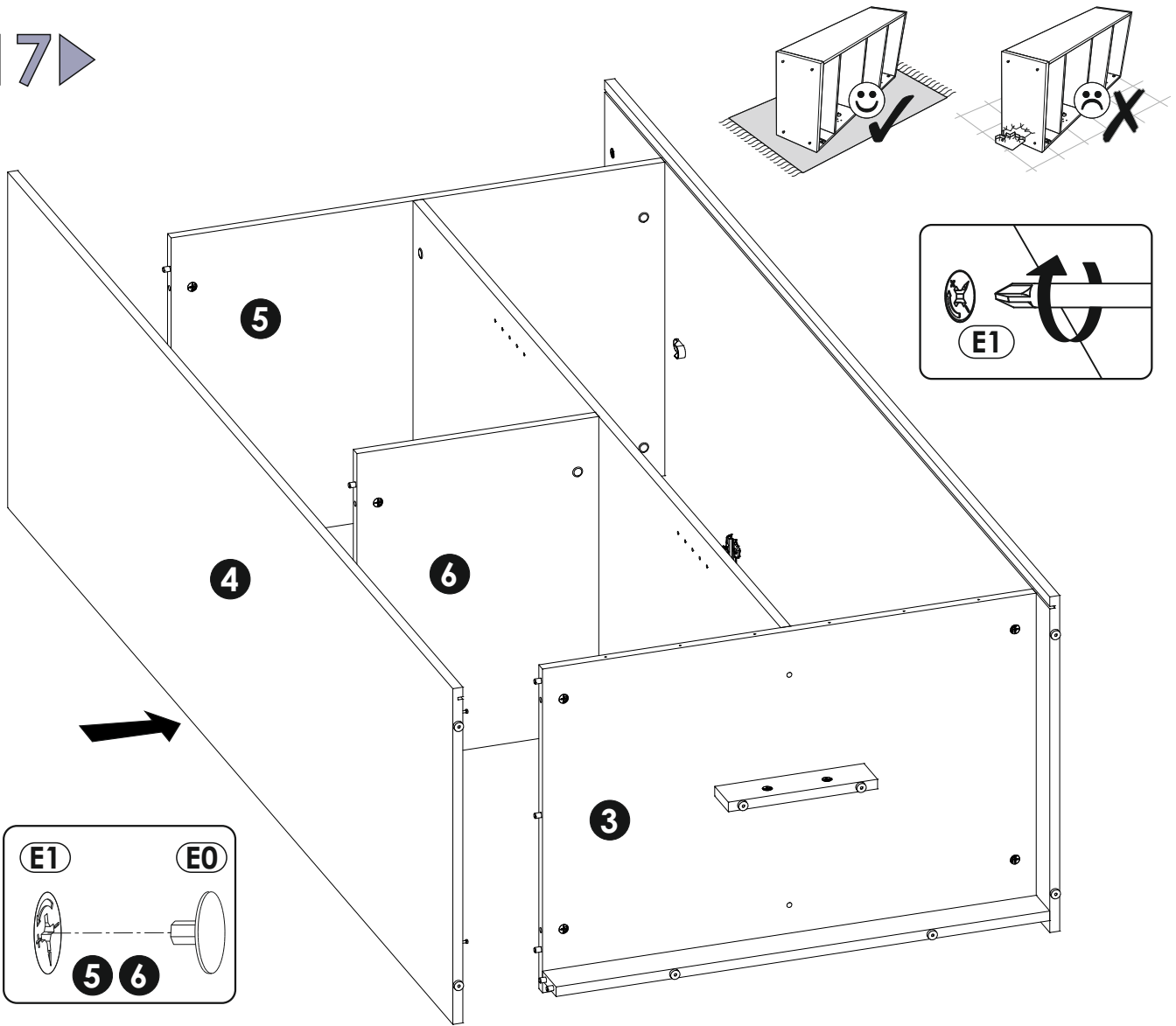
15▶



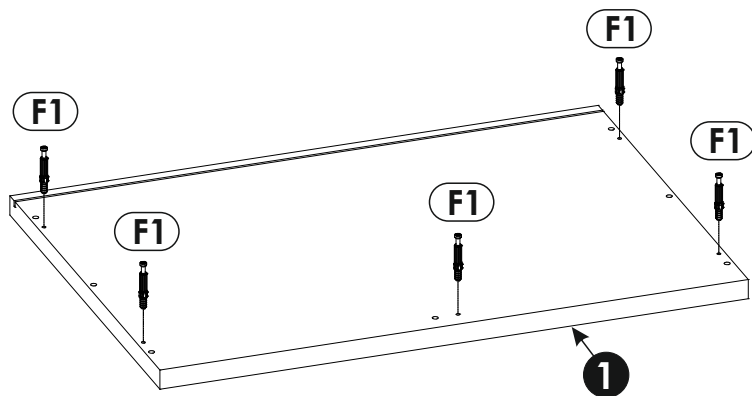
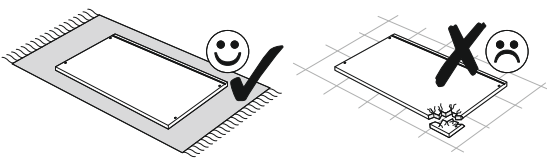
16▶



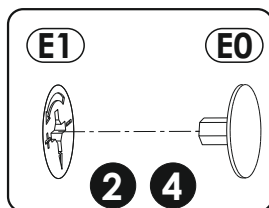
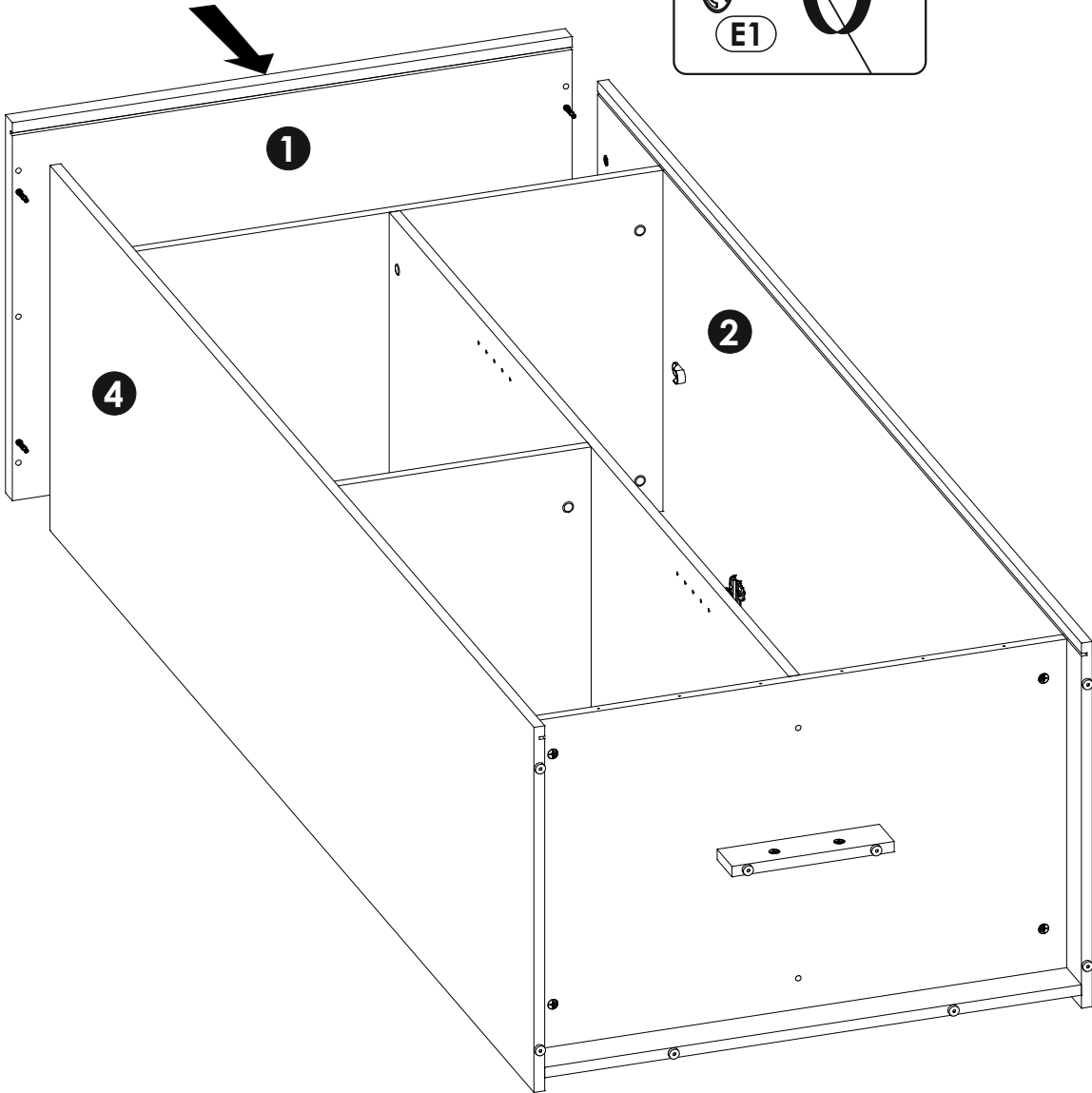
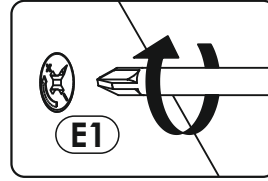
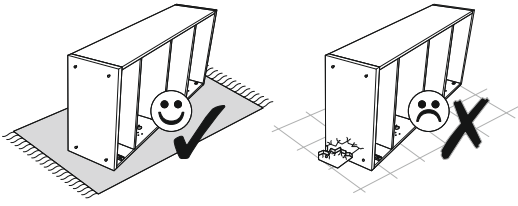
17▶



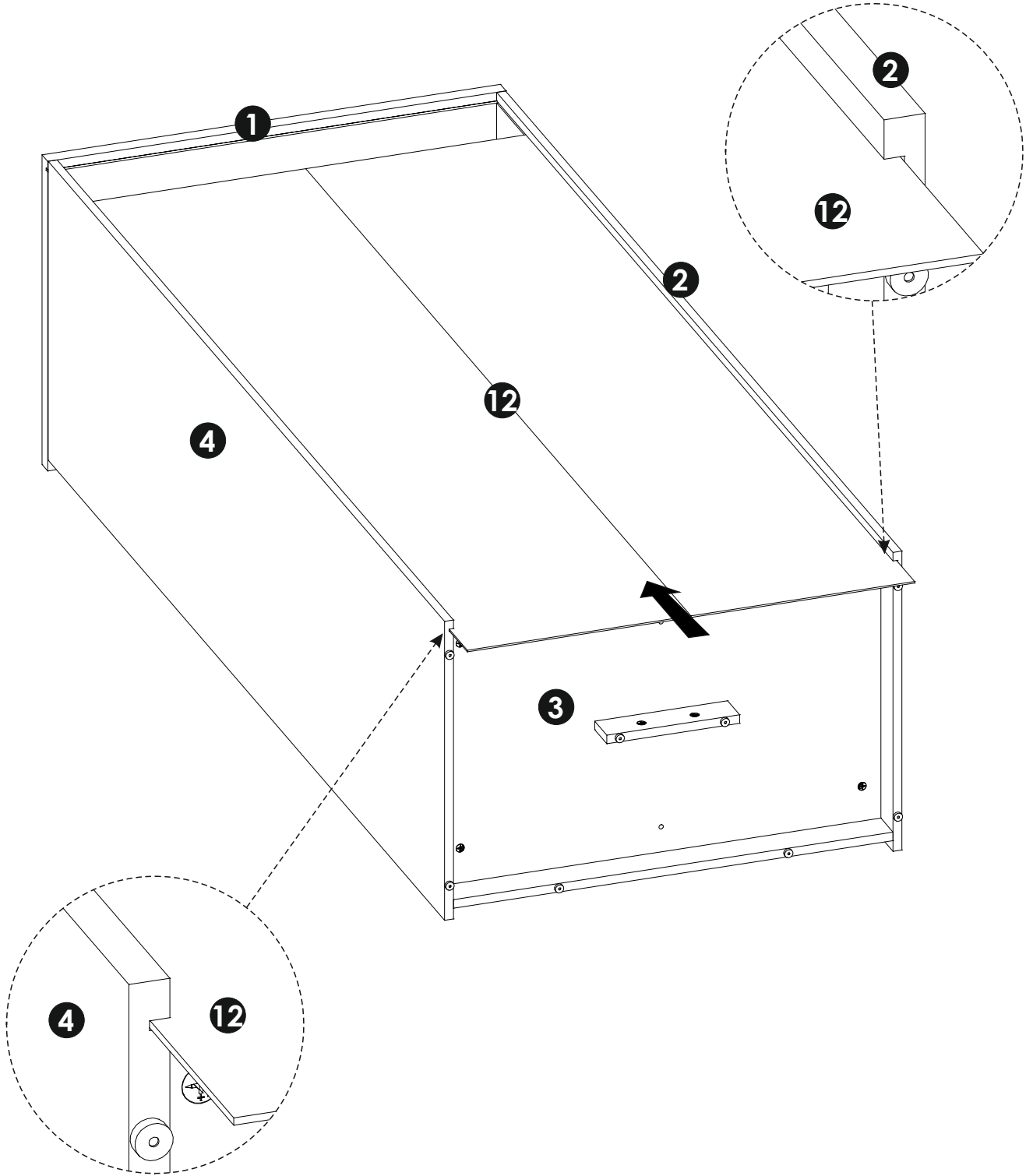
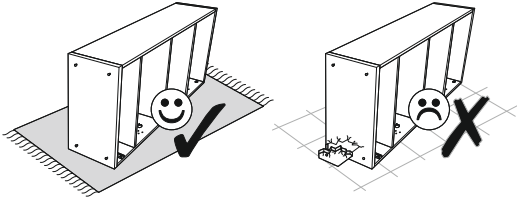
18▶



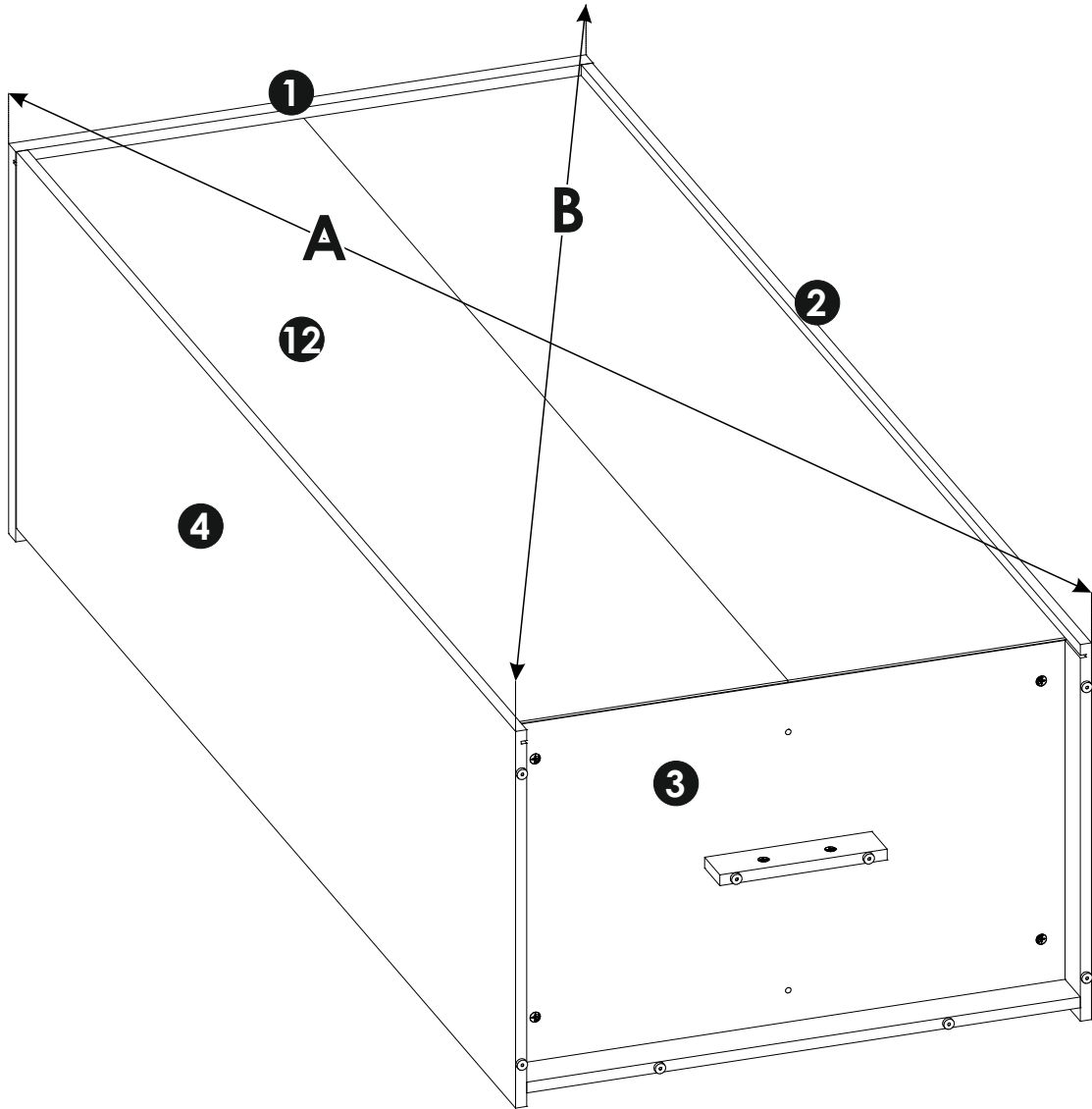
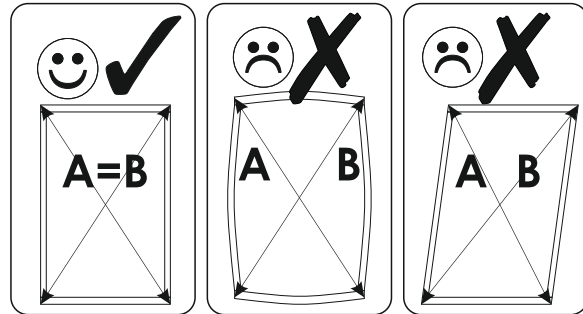
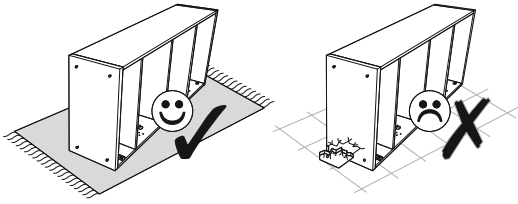
19 ▶



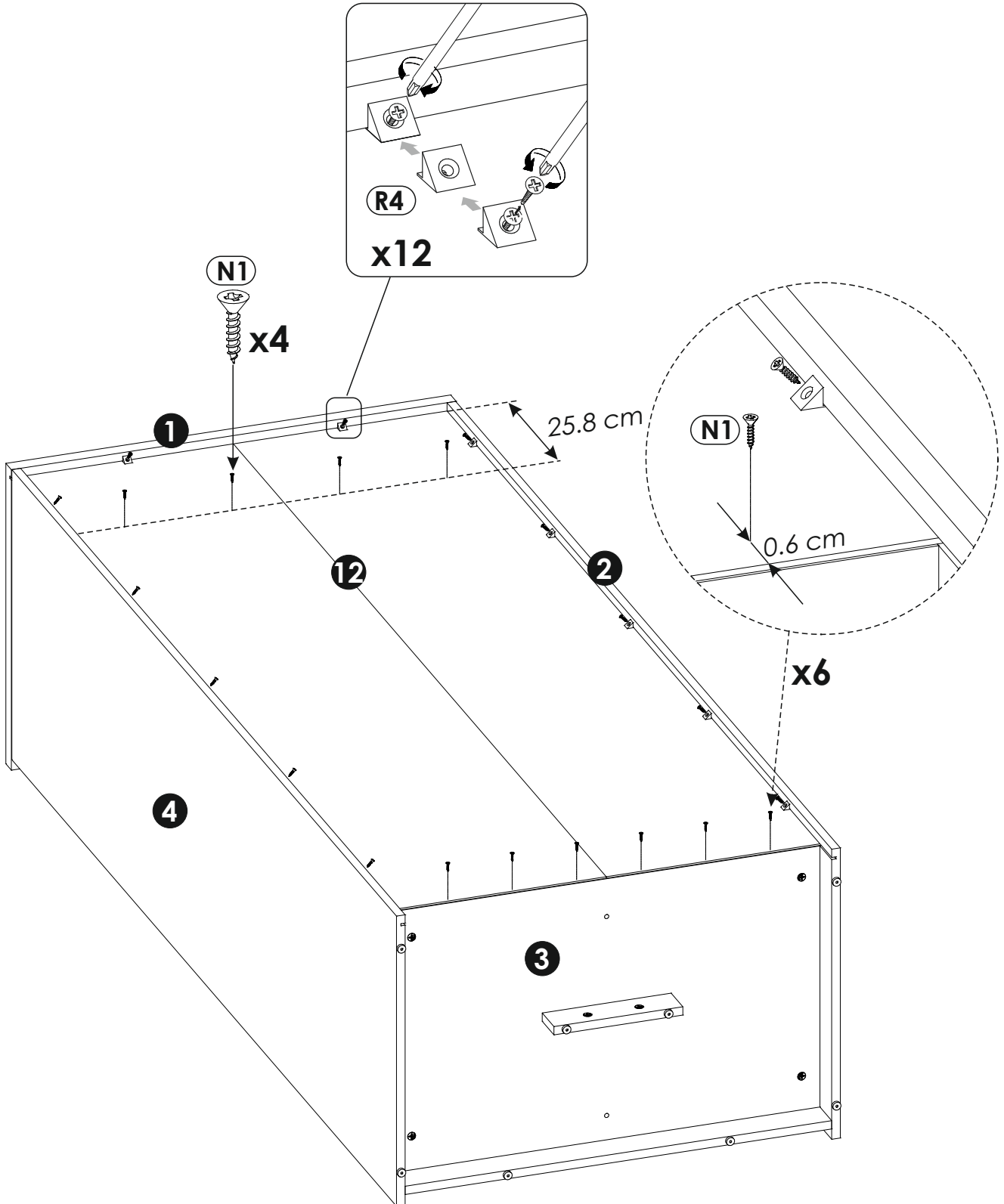
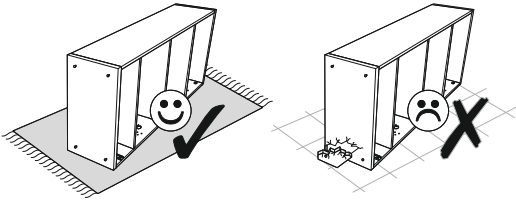
20 ▶



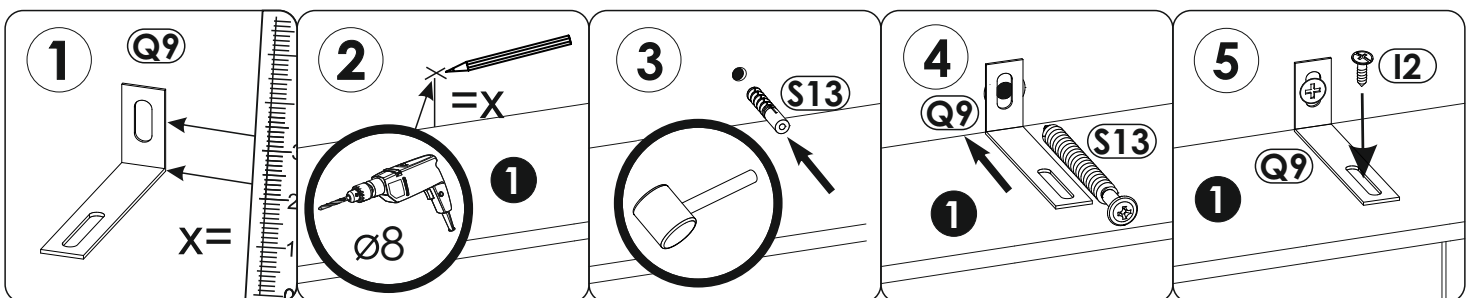
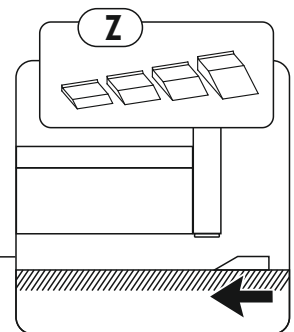
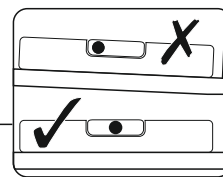
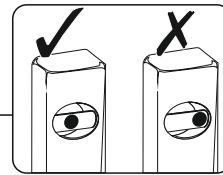
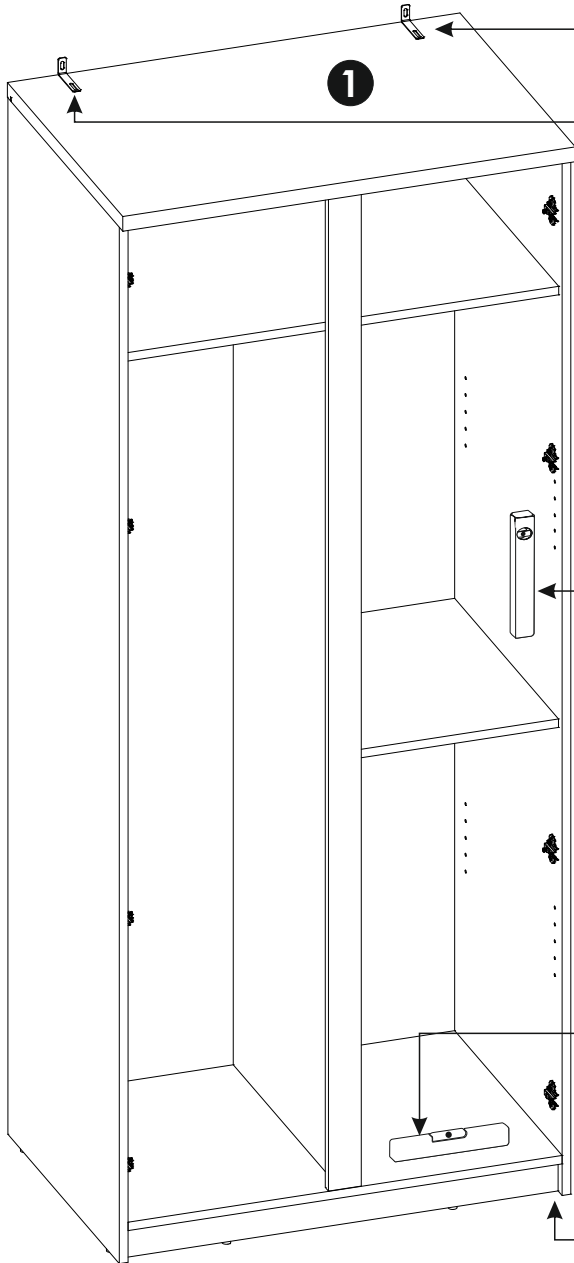
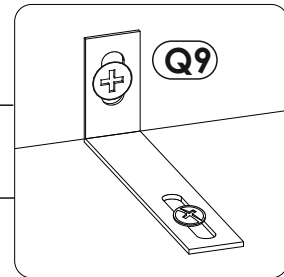
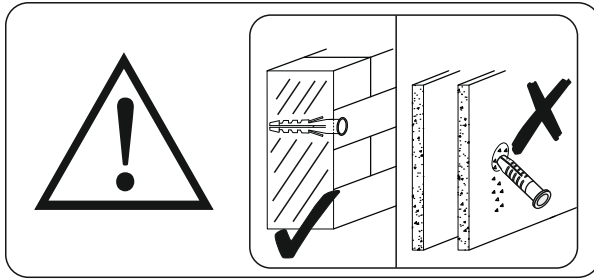
21 ▶



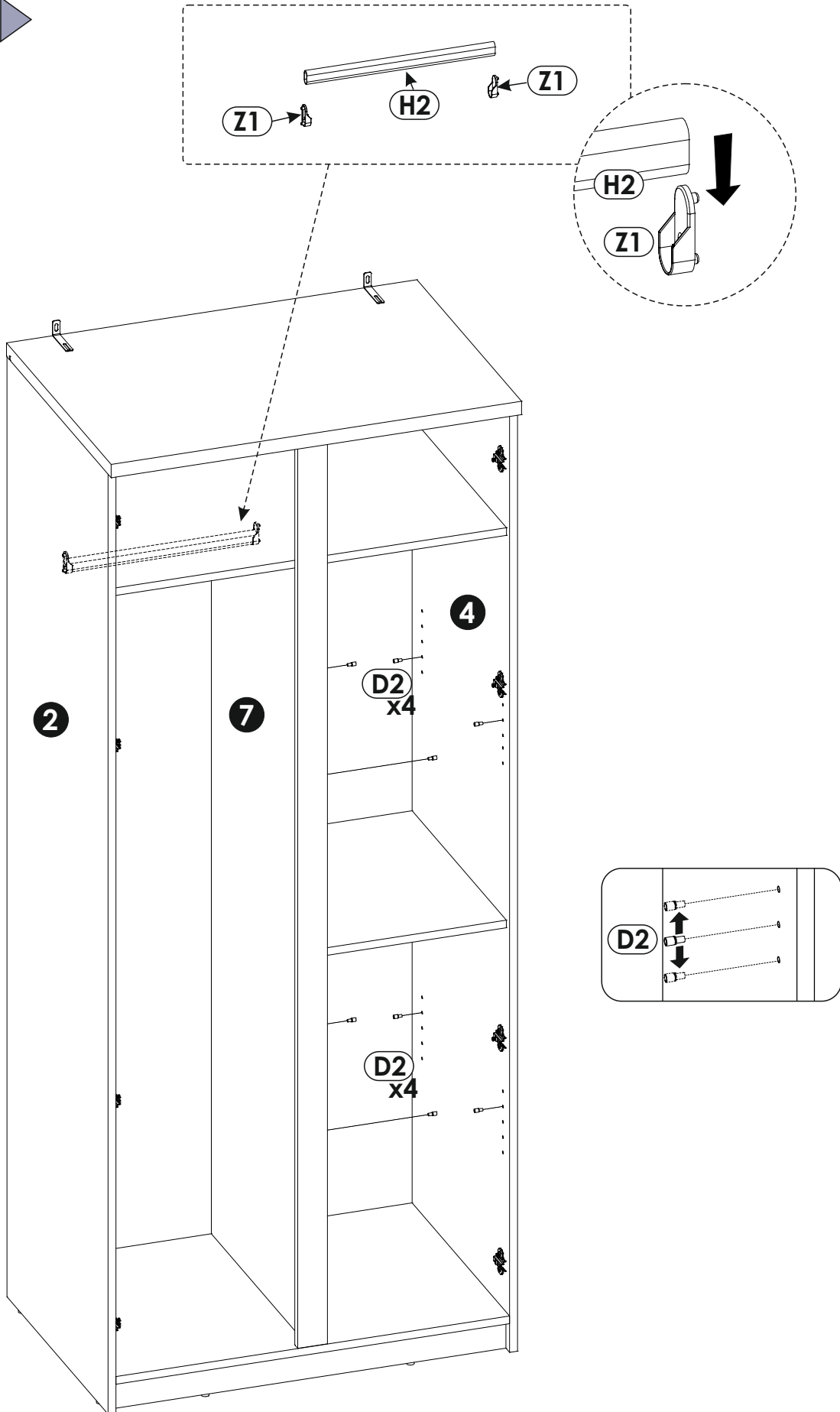
22 ▶

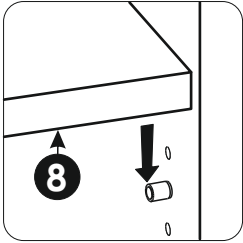
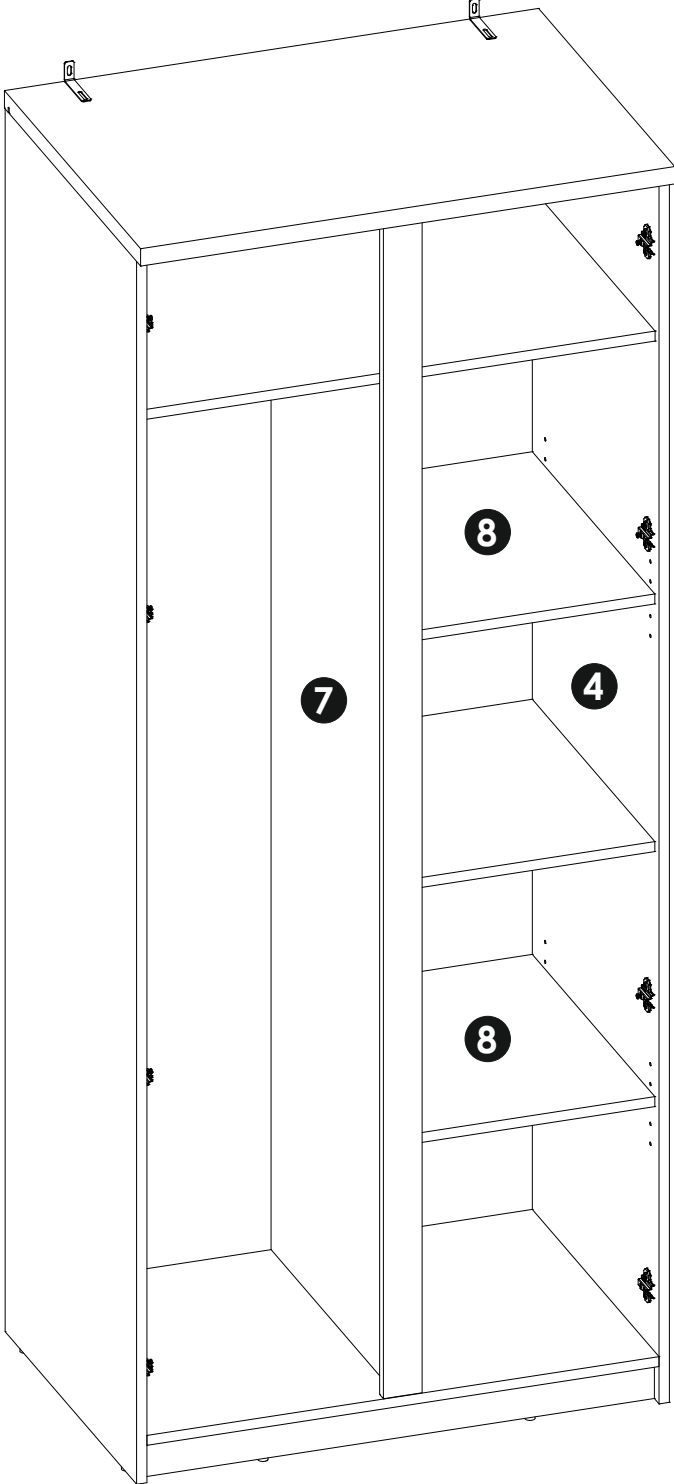


23 ▶

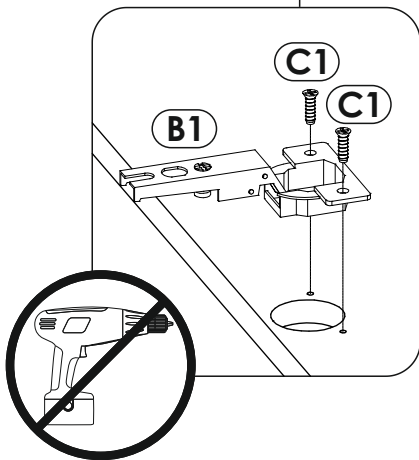
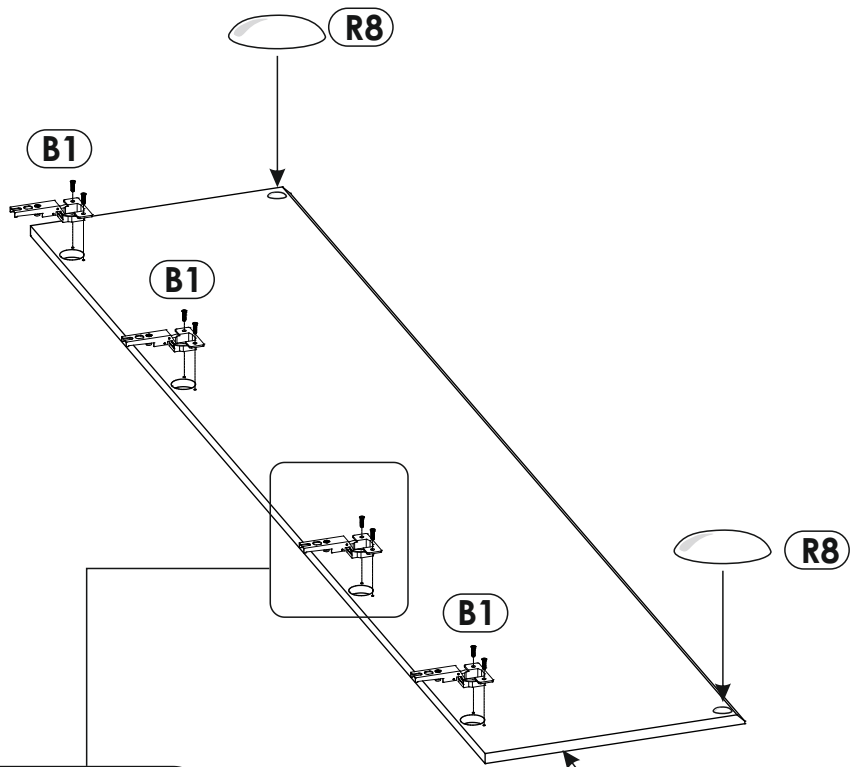
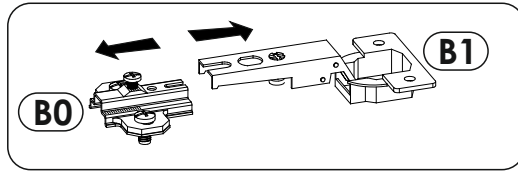
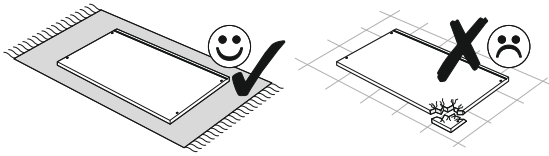


24▶

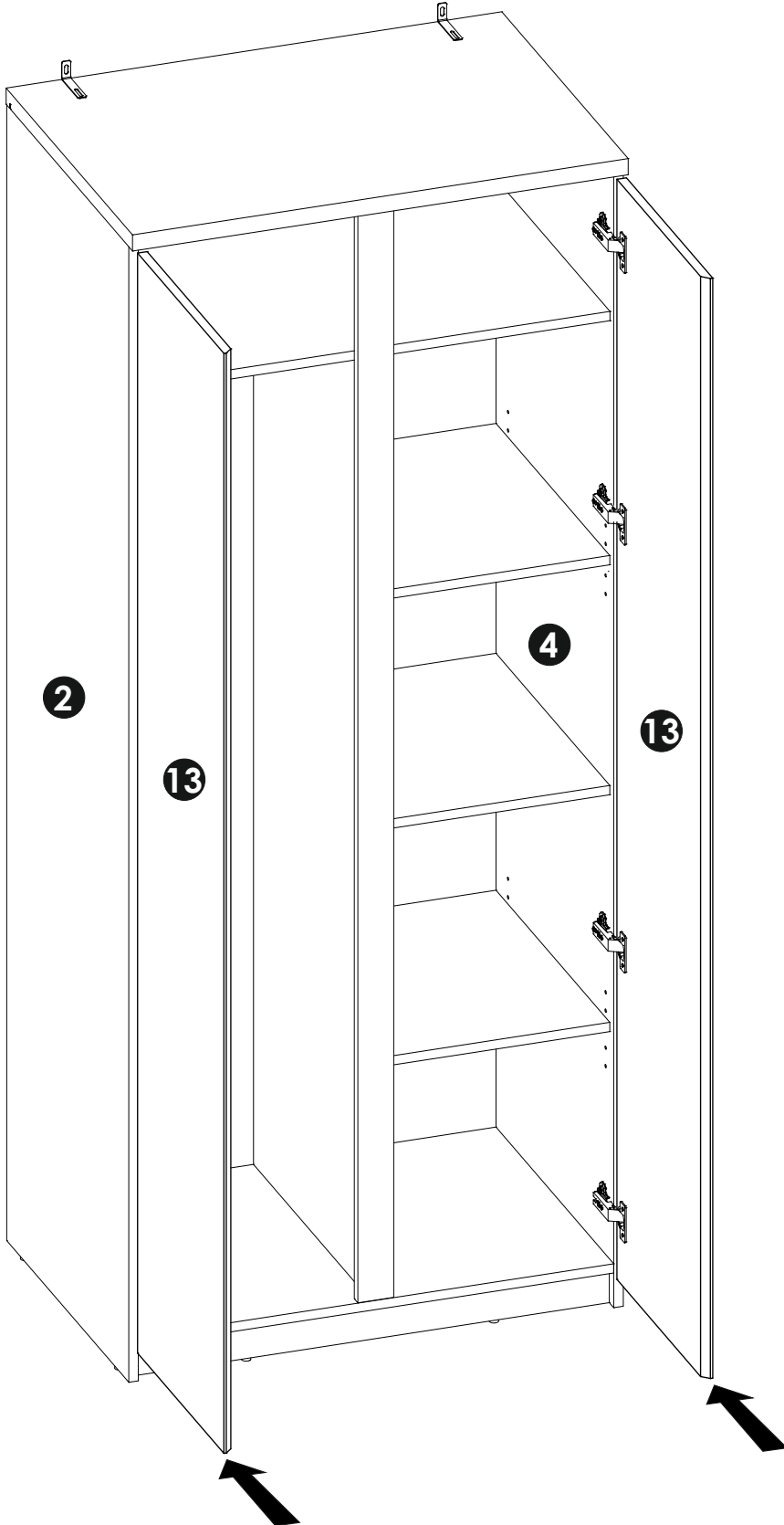
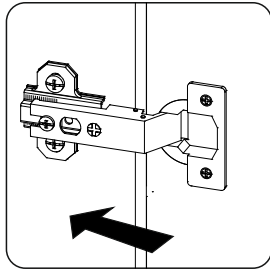


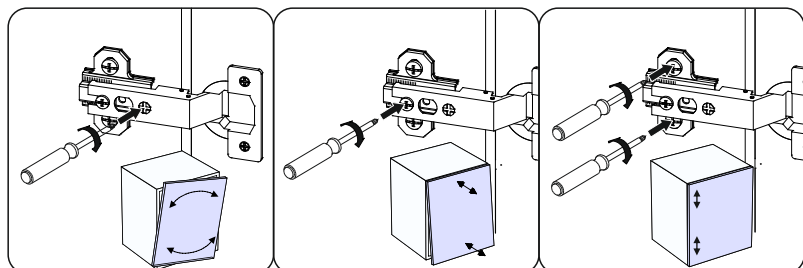
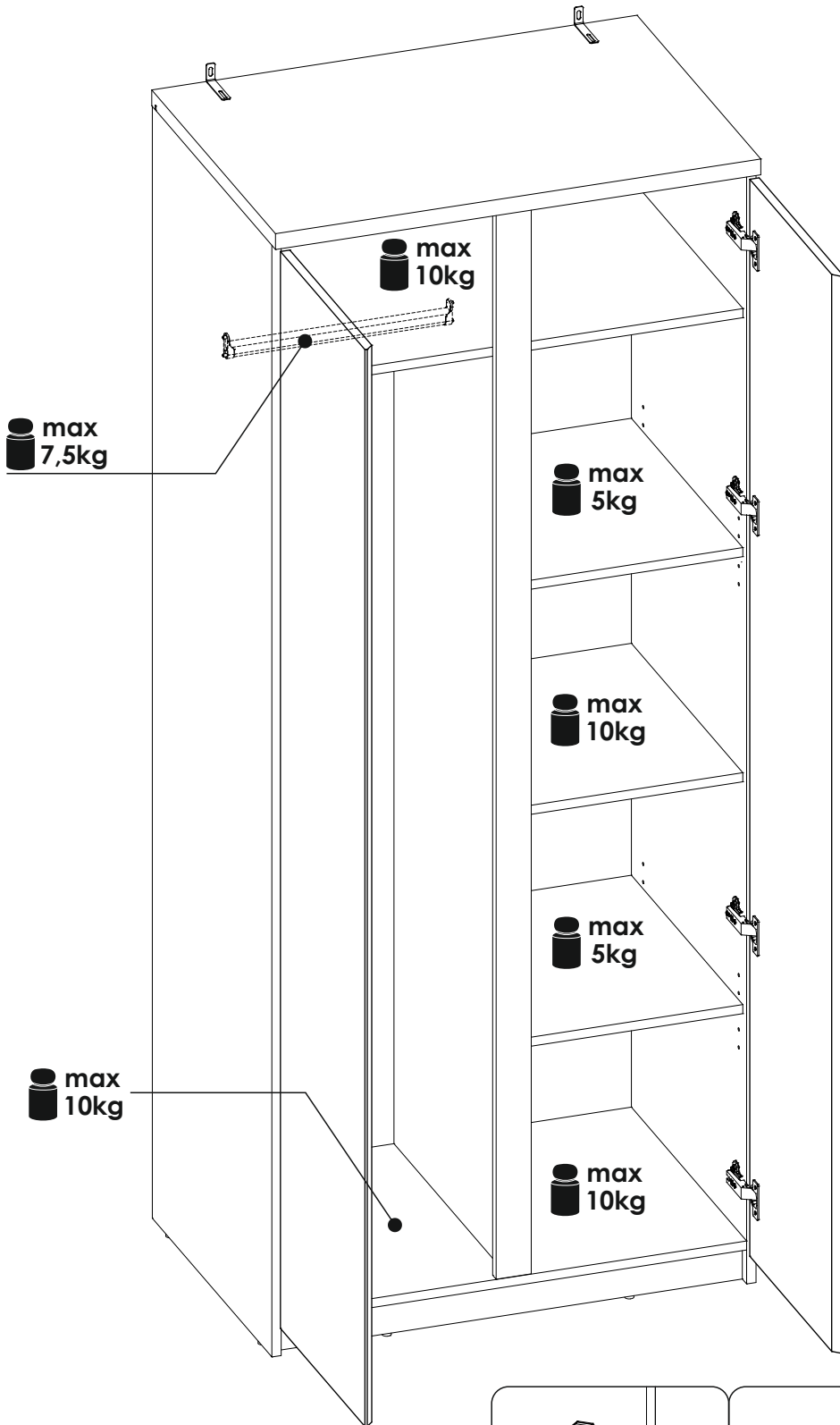
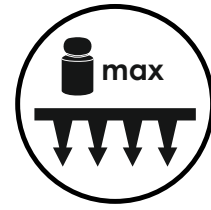


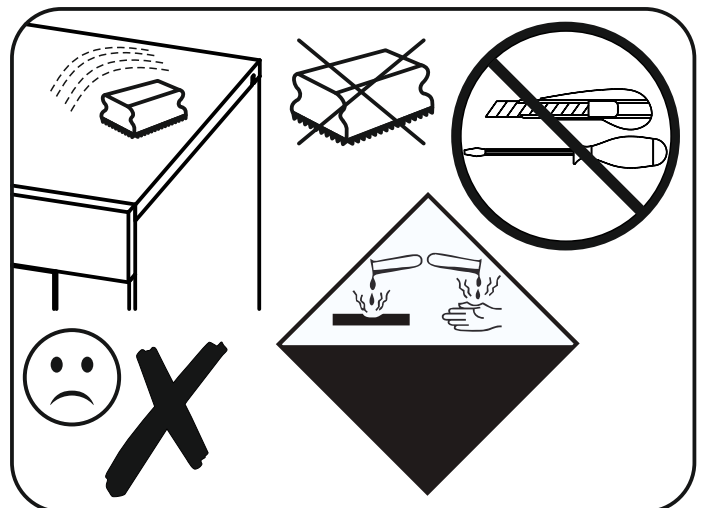
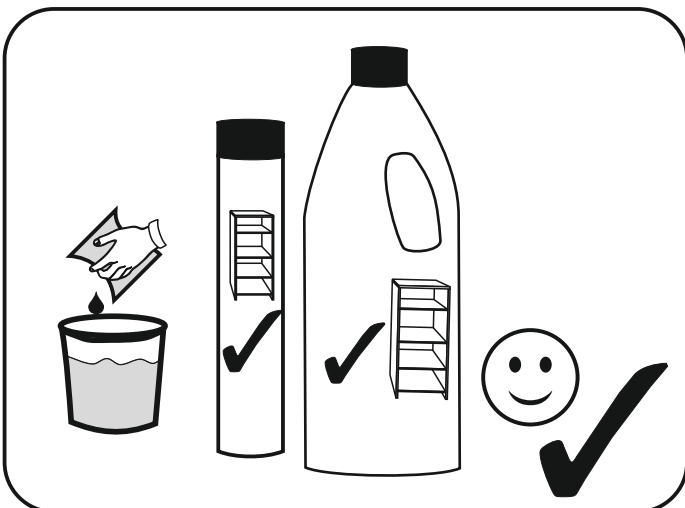
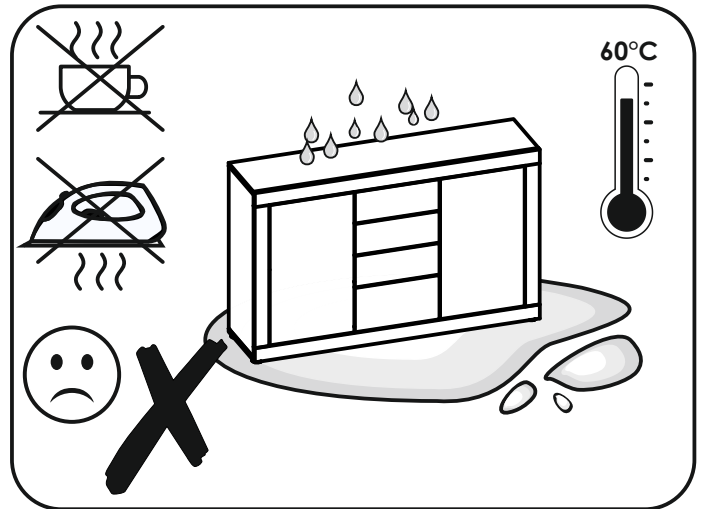
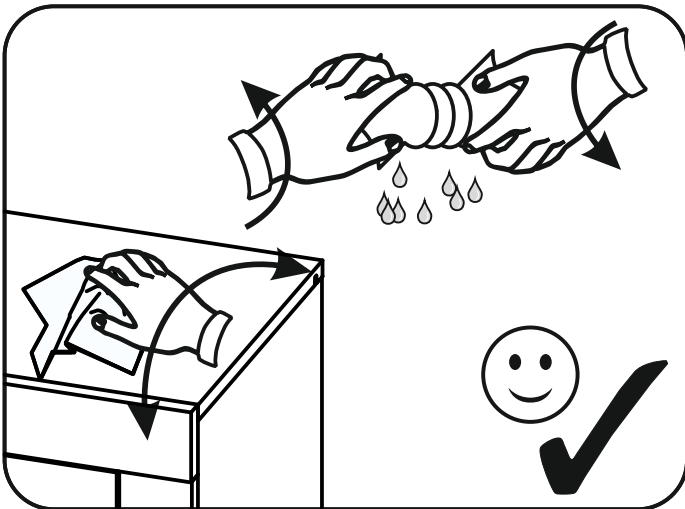
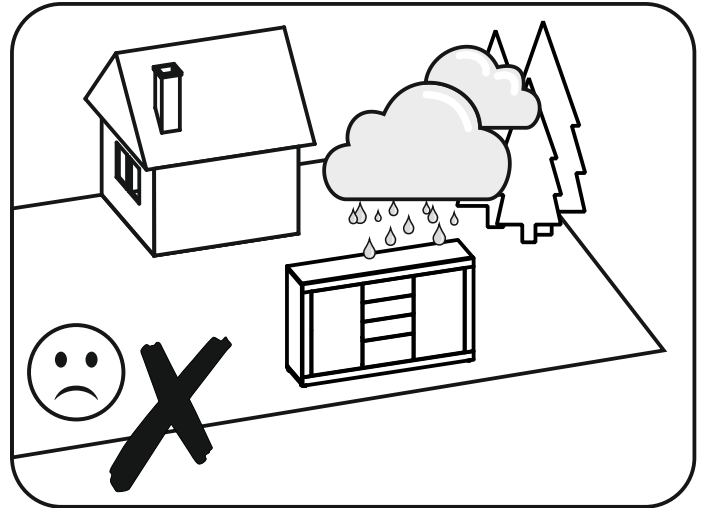
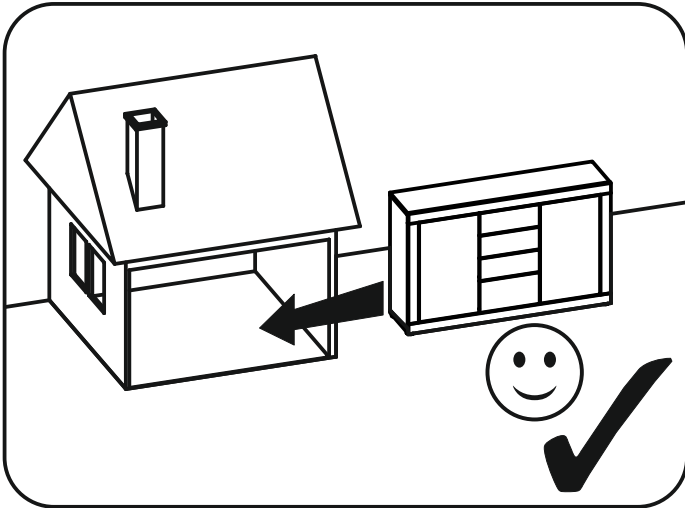
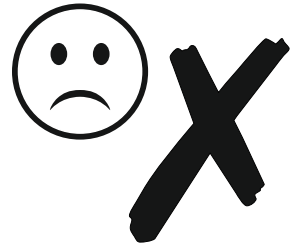
26 ▶



27 ▶

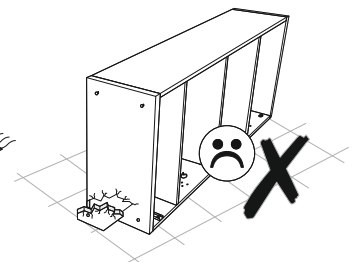
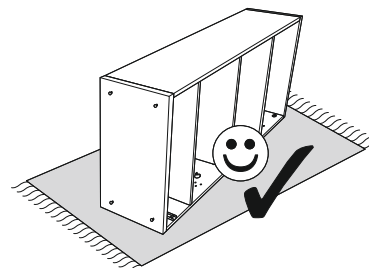
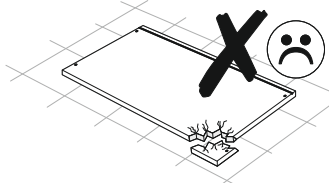
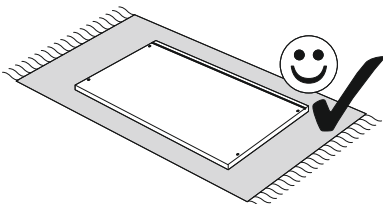
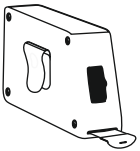
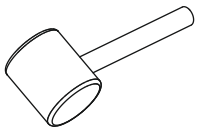
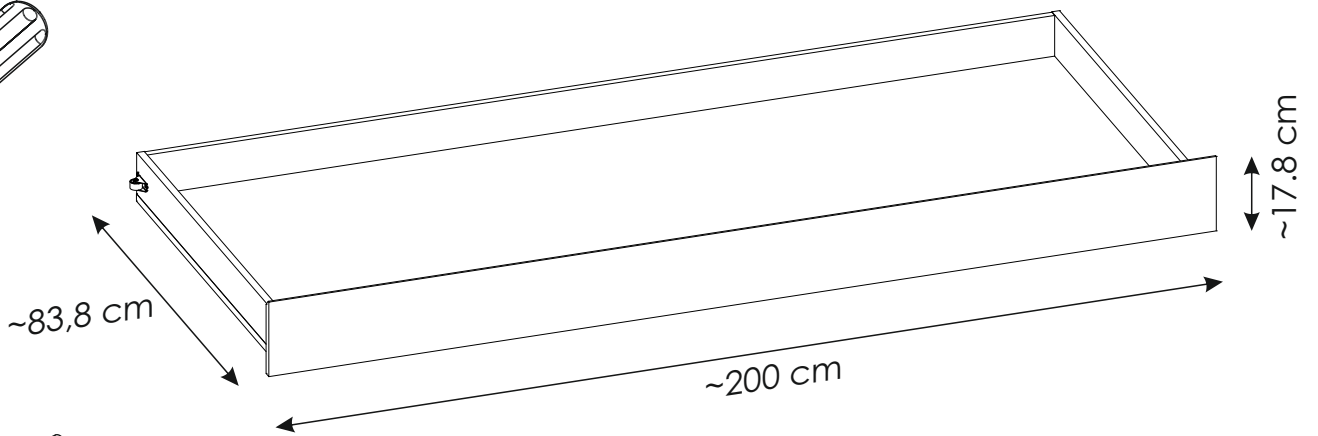
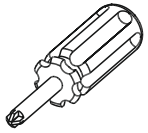
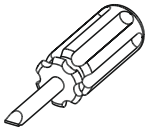


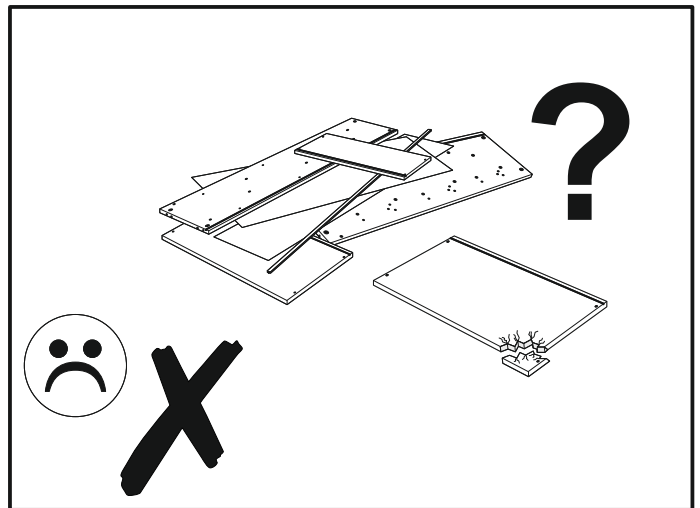
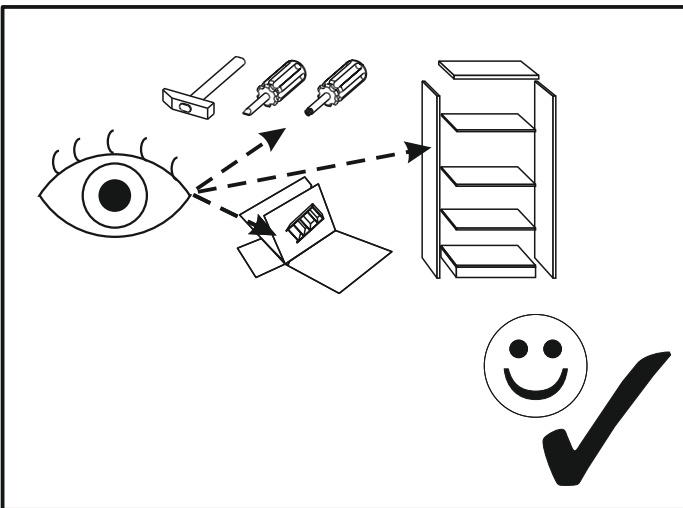
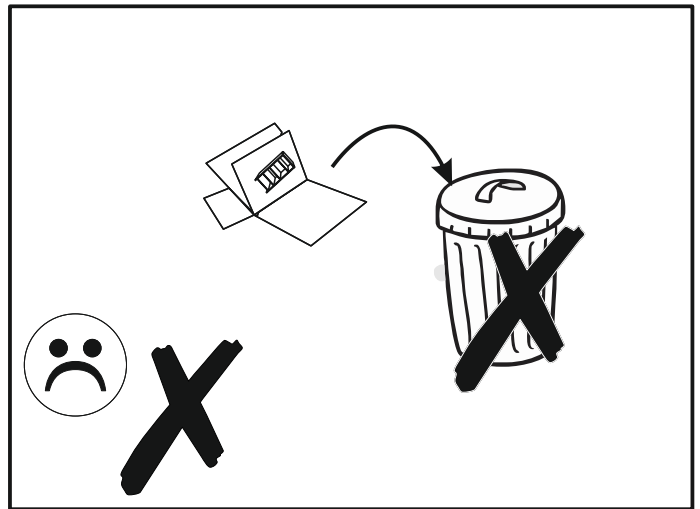
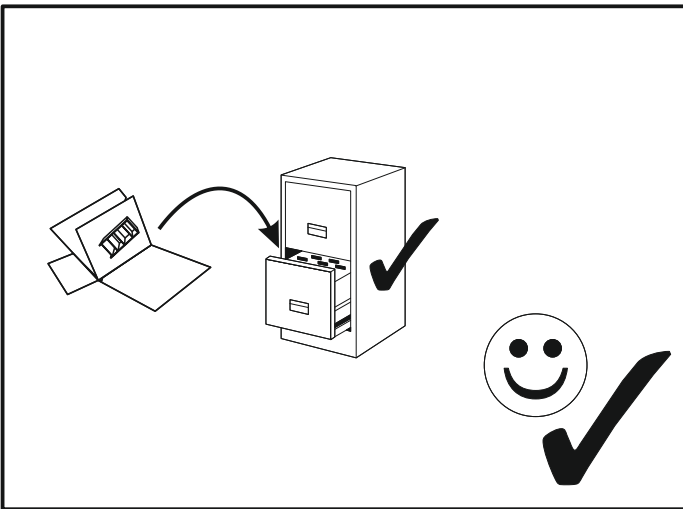
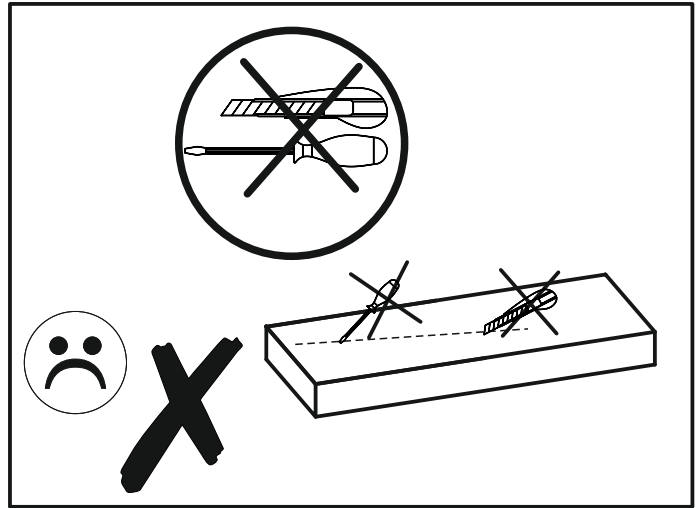
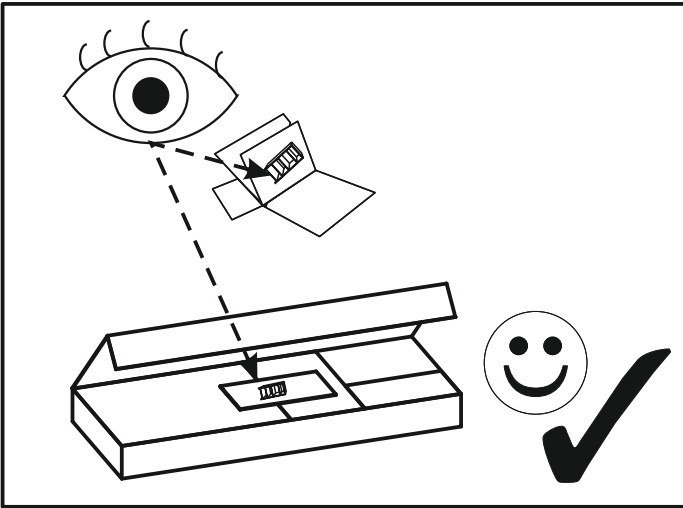


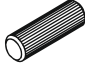


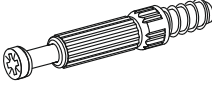

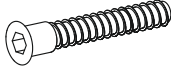

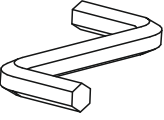
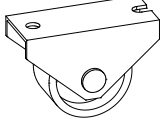
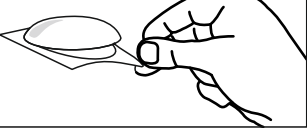


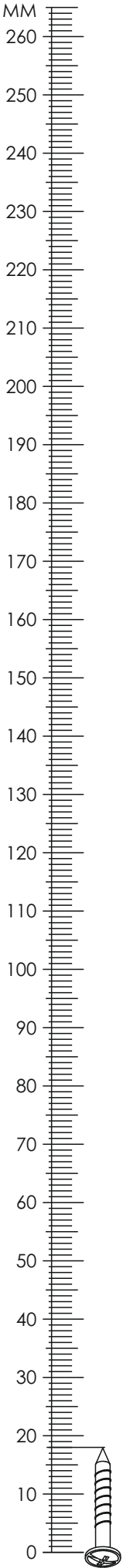


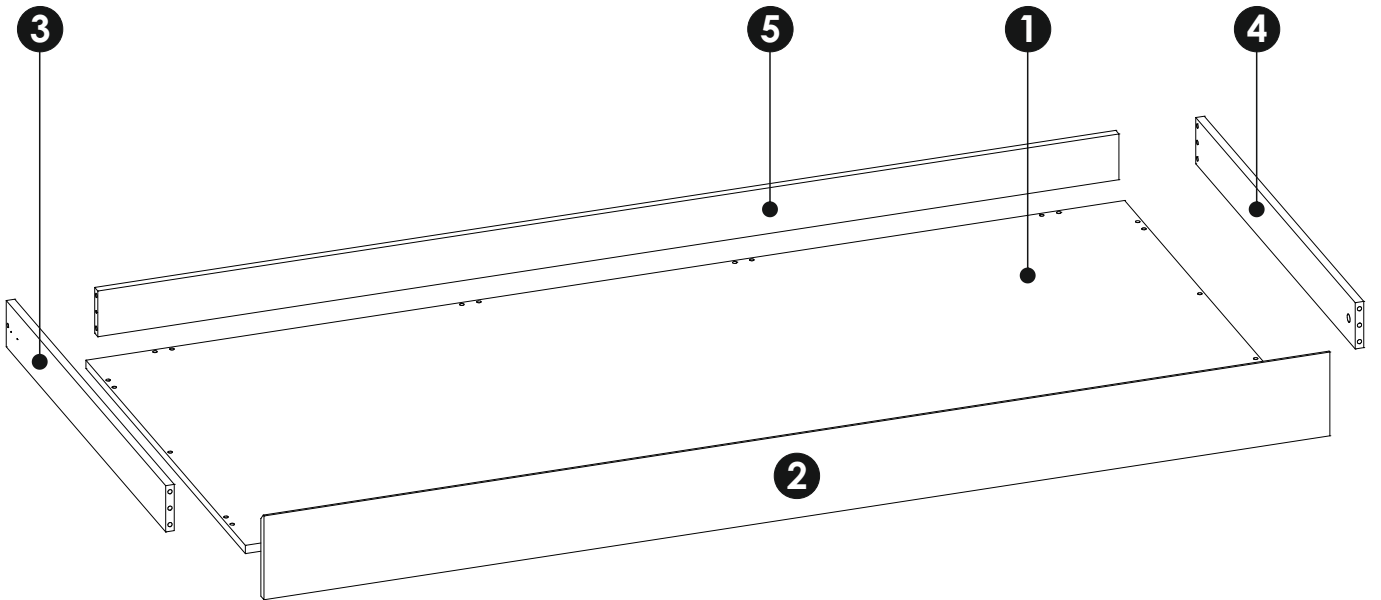
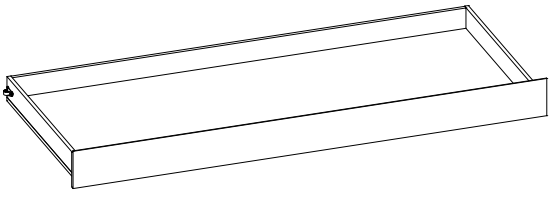
40 min



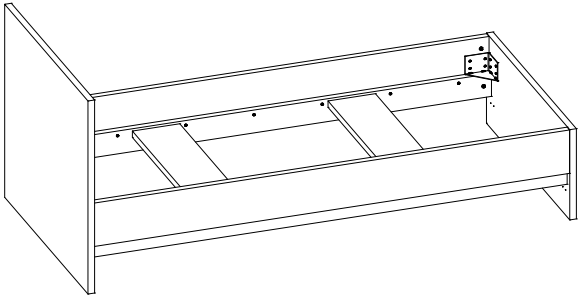


A1 8 x 35 mm x20 	E0 Ø16 x2 	E1 15 x 12 mm x6 
F1 6 x 34 mm x6 	G0 x2 	G1 7 x 50 mm x12 
I0 3 x 13 mm x24 	M x1 	O5 x12 
R8 x4 		

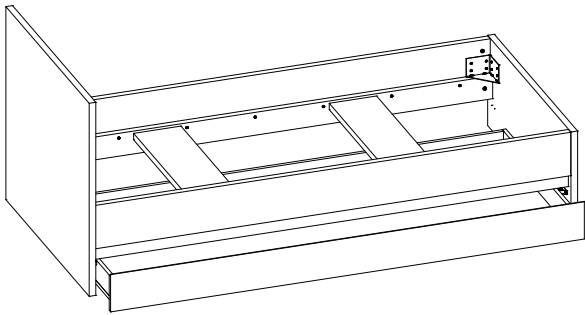
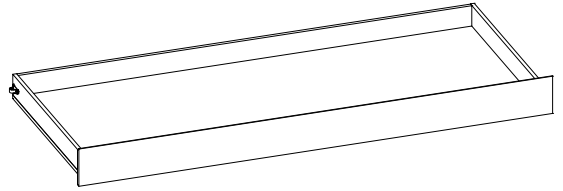




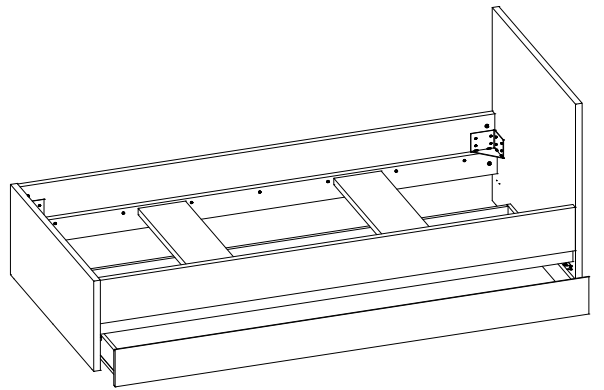
1	1949	822	16	x1	1/1
2	2000	163	16	x1	1/1
3	822	90	16	x1	1/1
4	822	90	16	x1	1/1
5	1916	89	16	x1	1/1

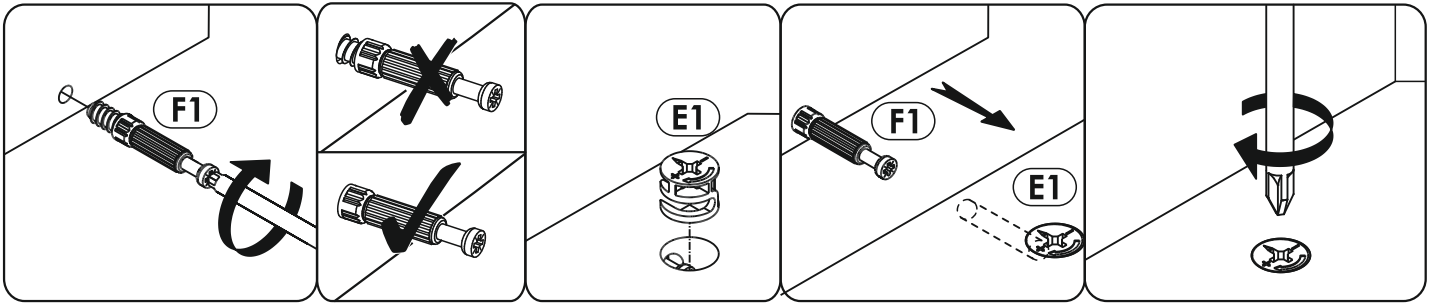


+

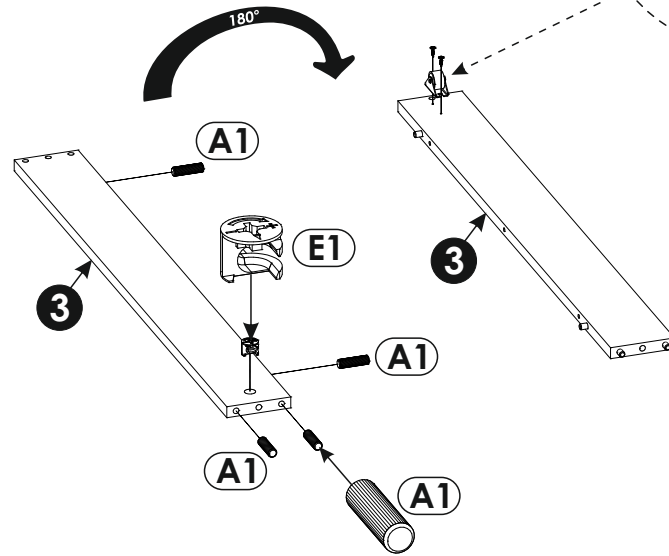
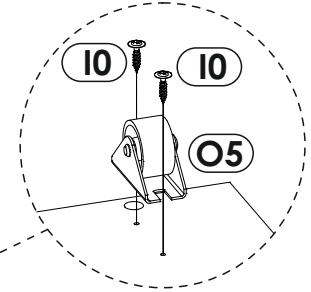
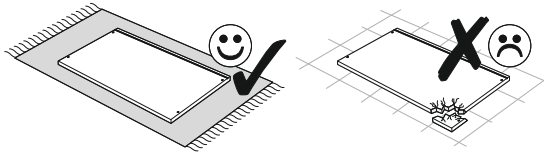


A B

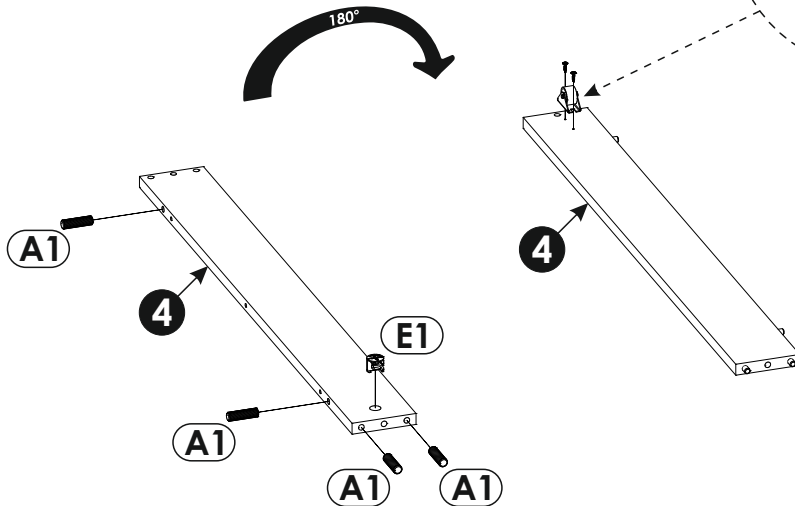
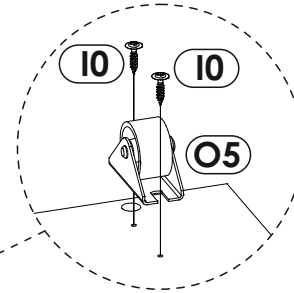
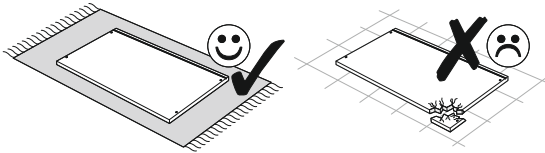




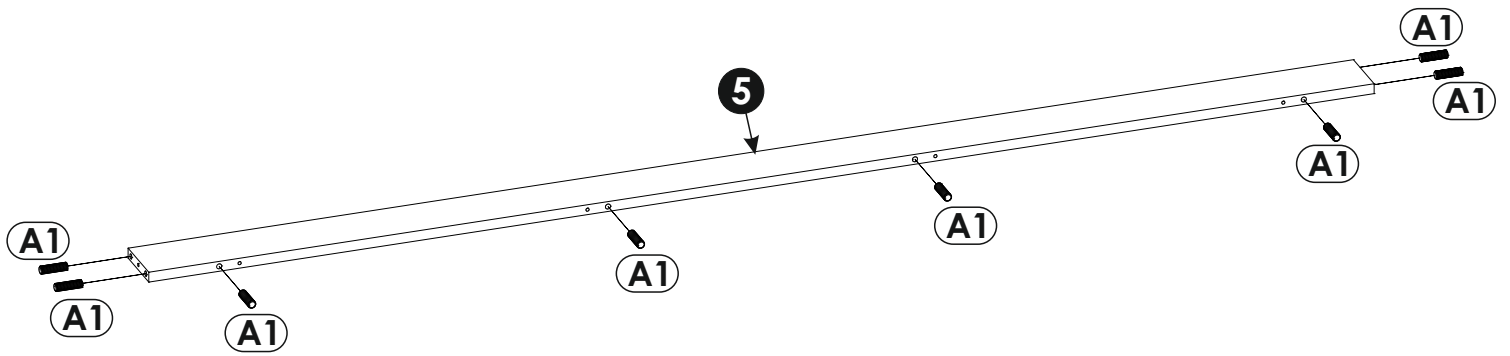
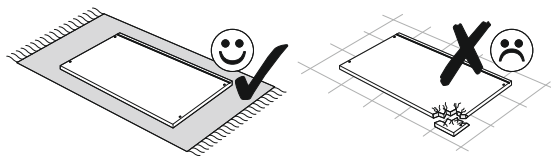
1 ▶



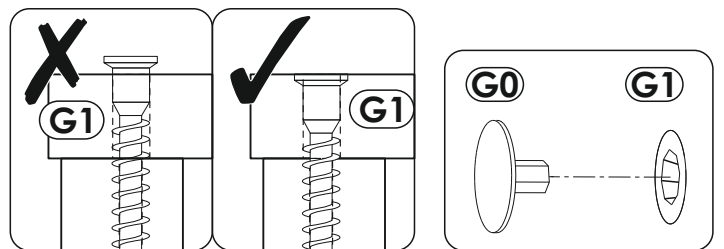
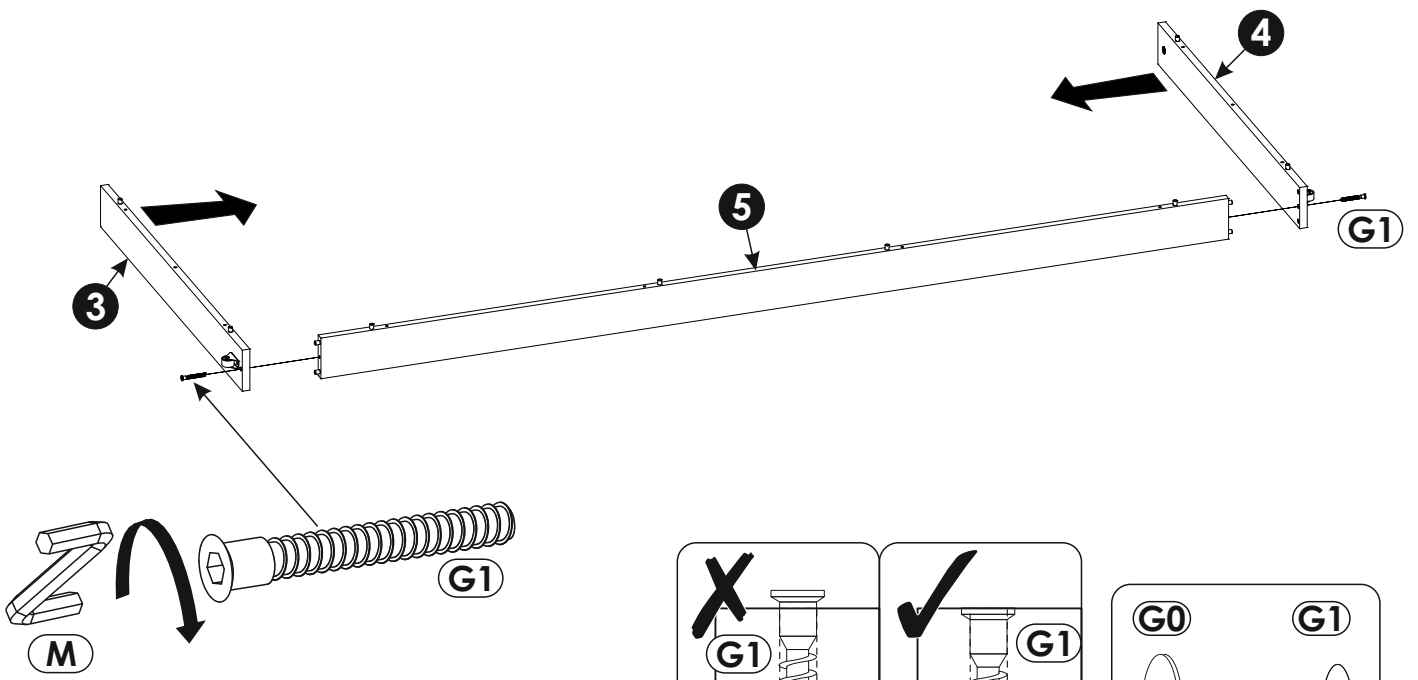
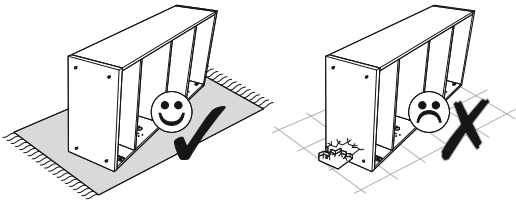
2 ▶

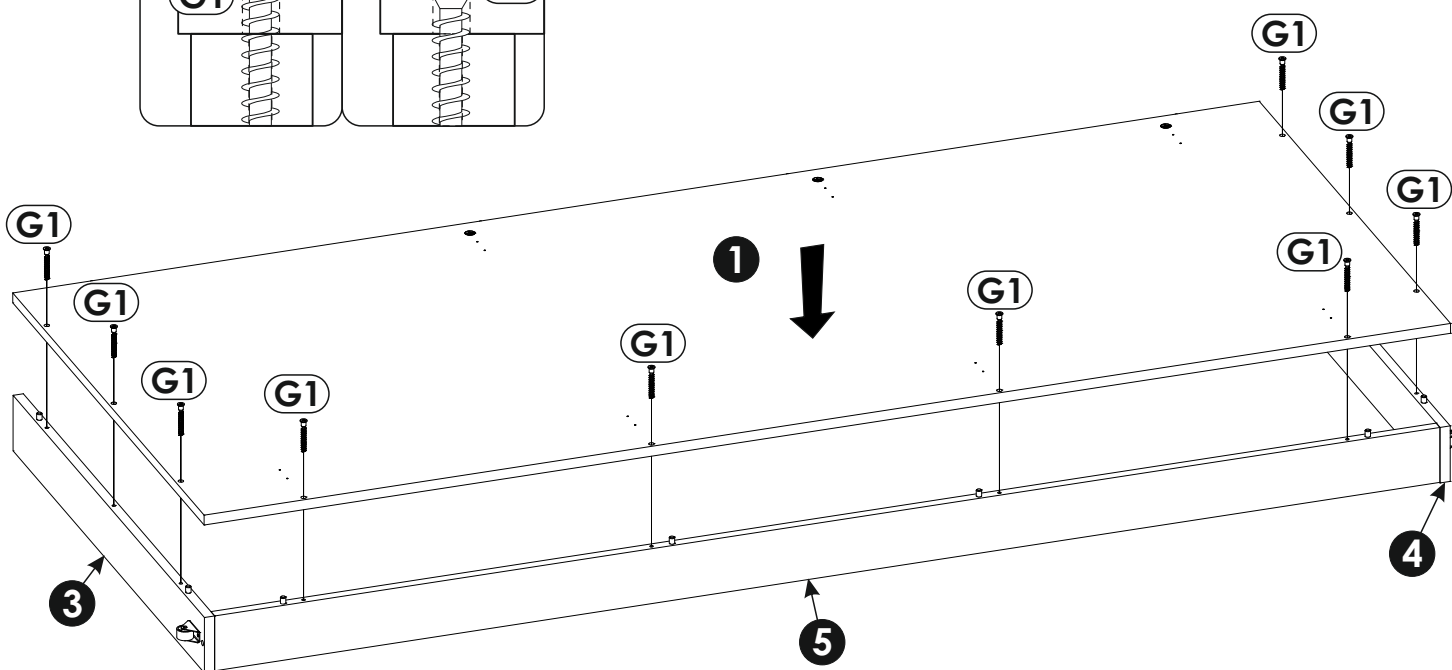
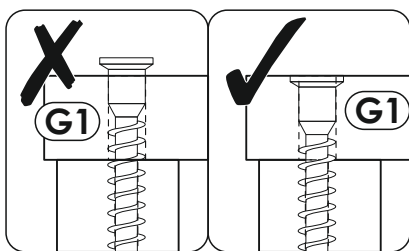
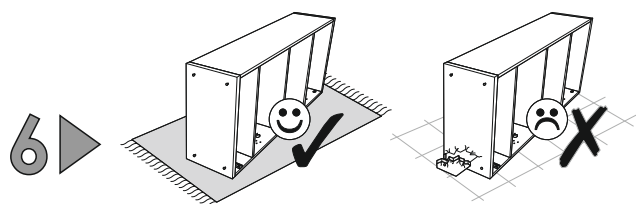
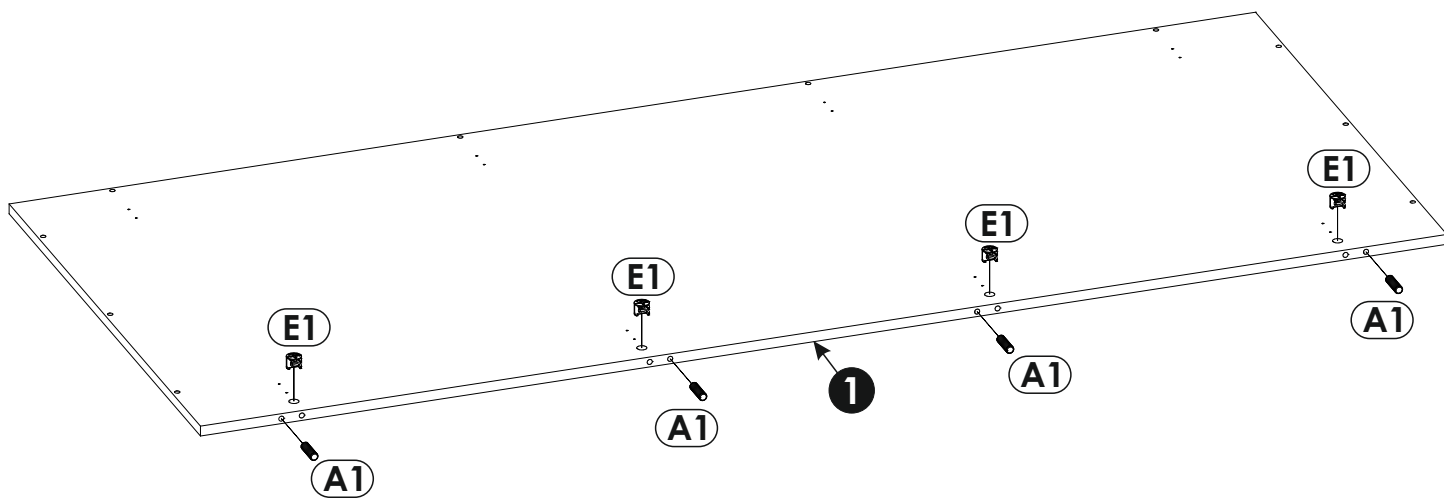
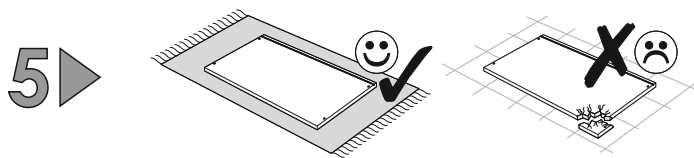


3 ▶

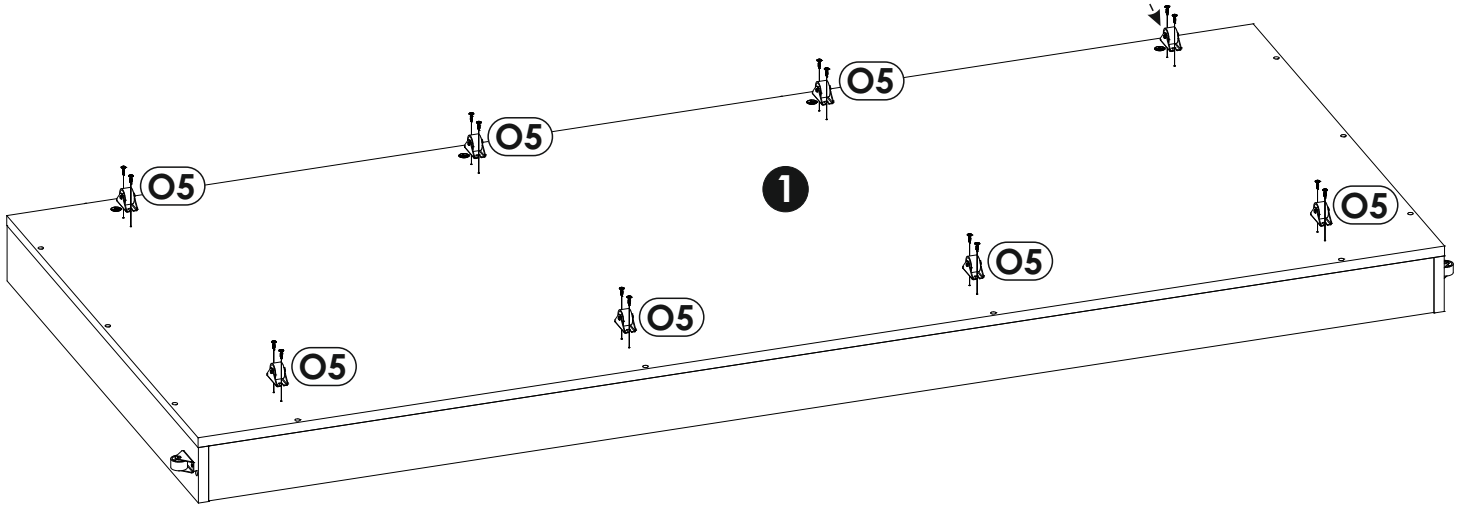
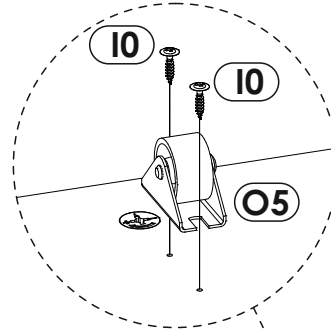
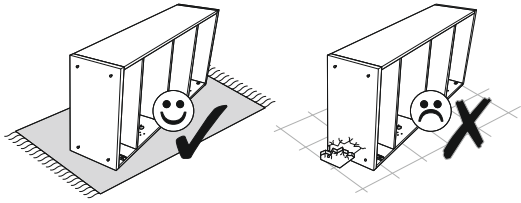


4 ▶

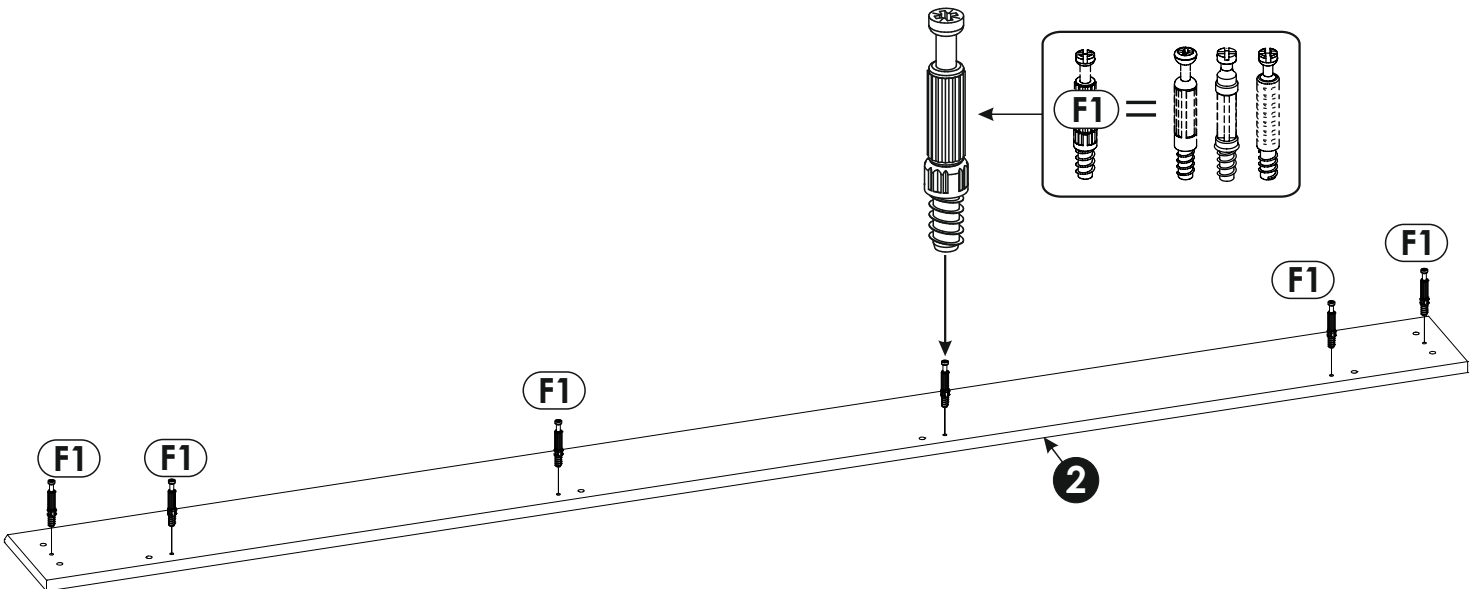
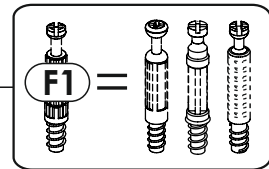
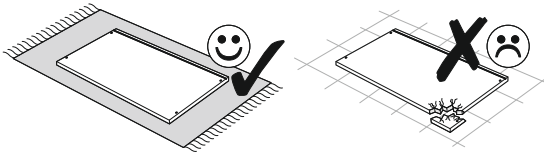




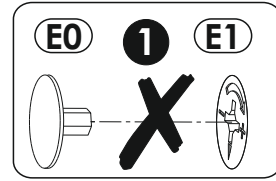
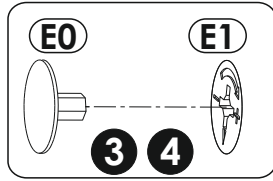
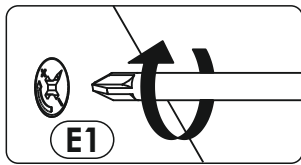
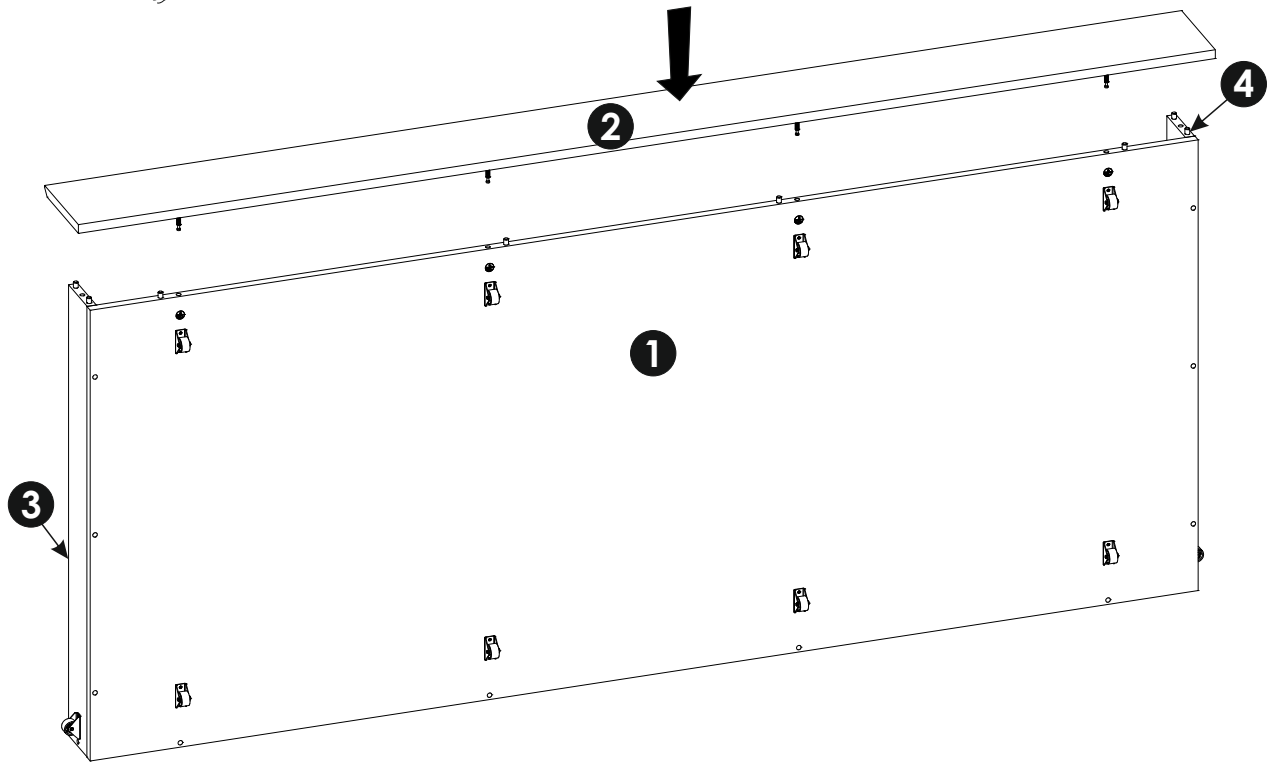
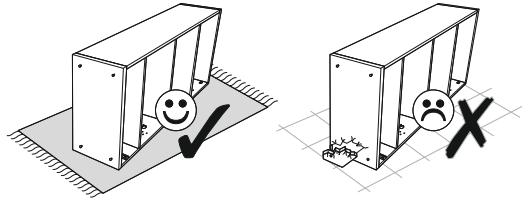
7



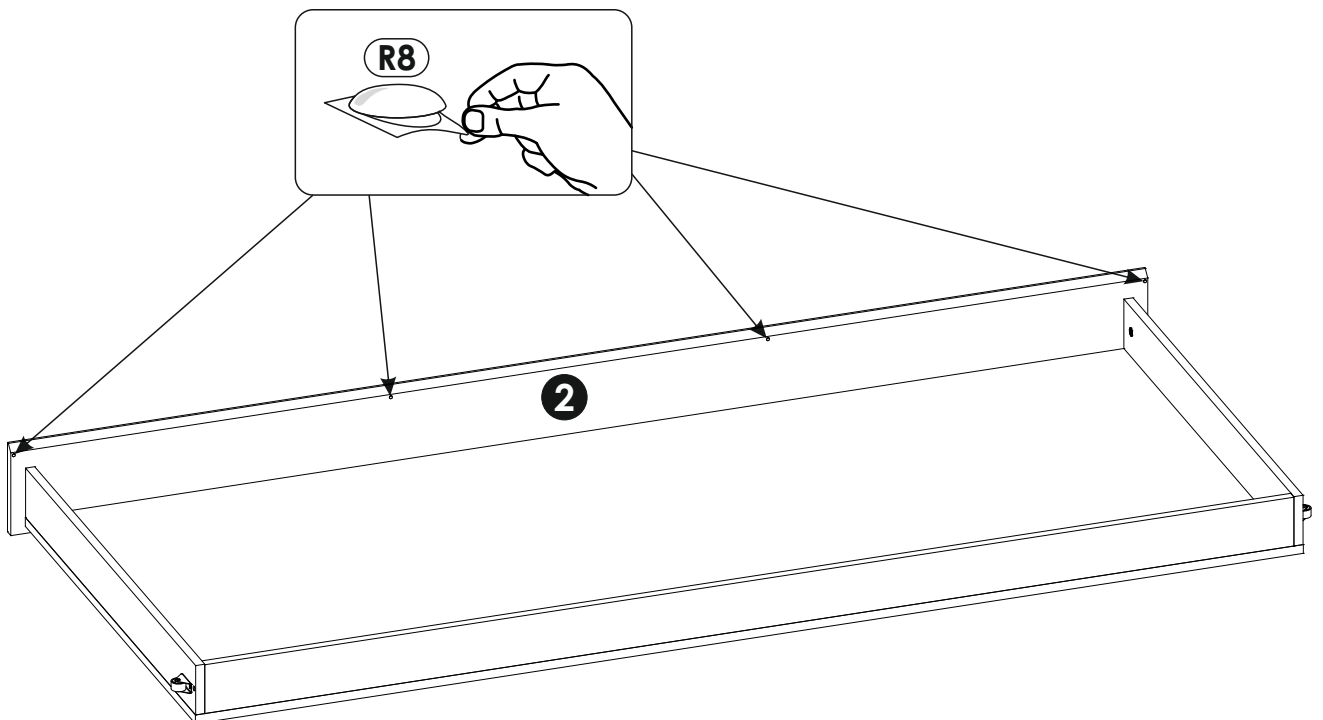
8

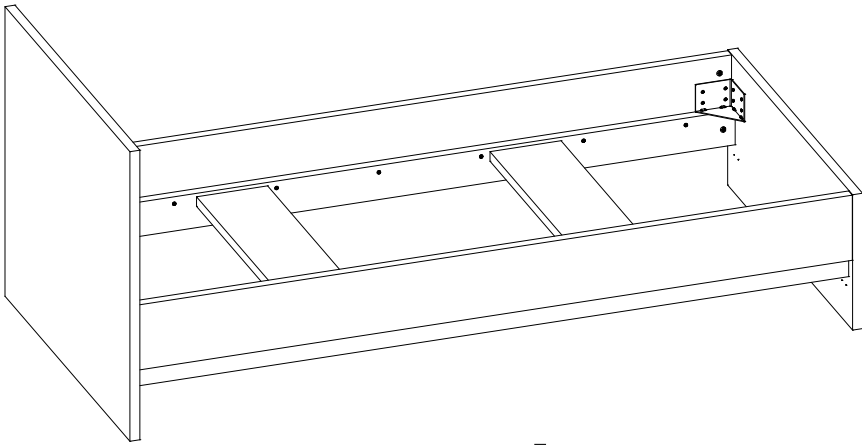


9 ▶

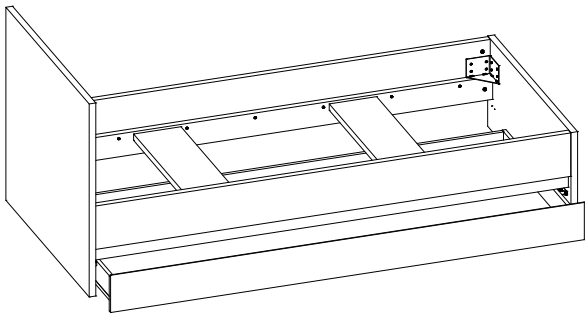
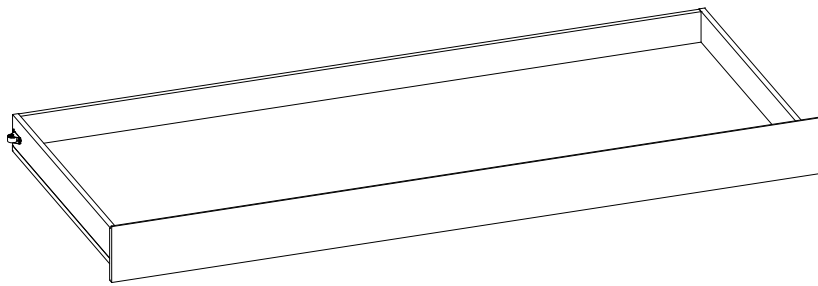


10 ▶

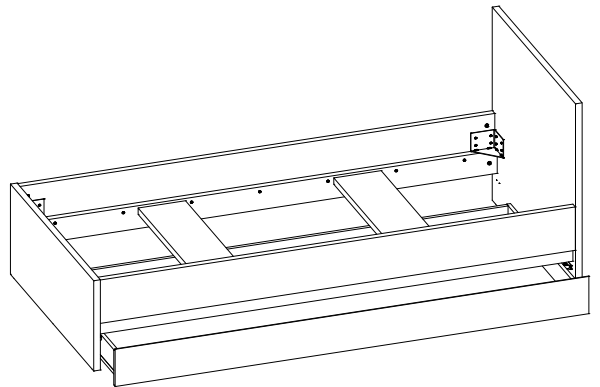




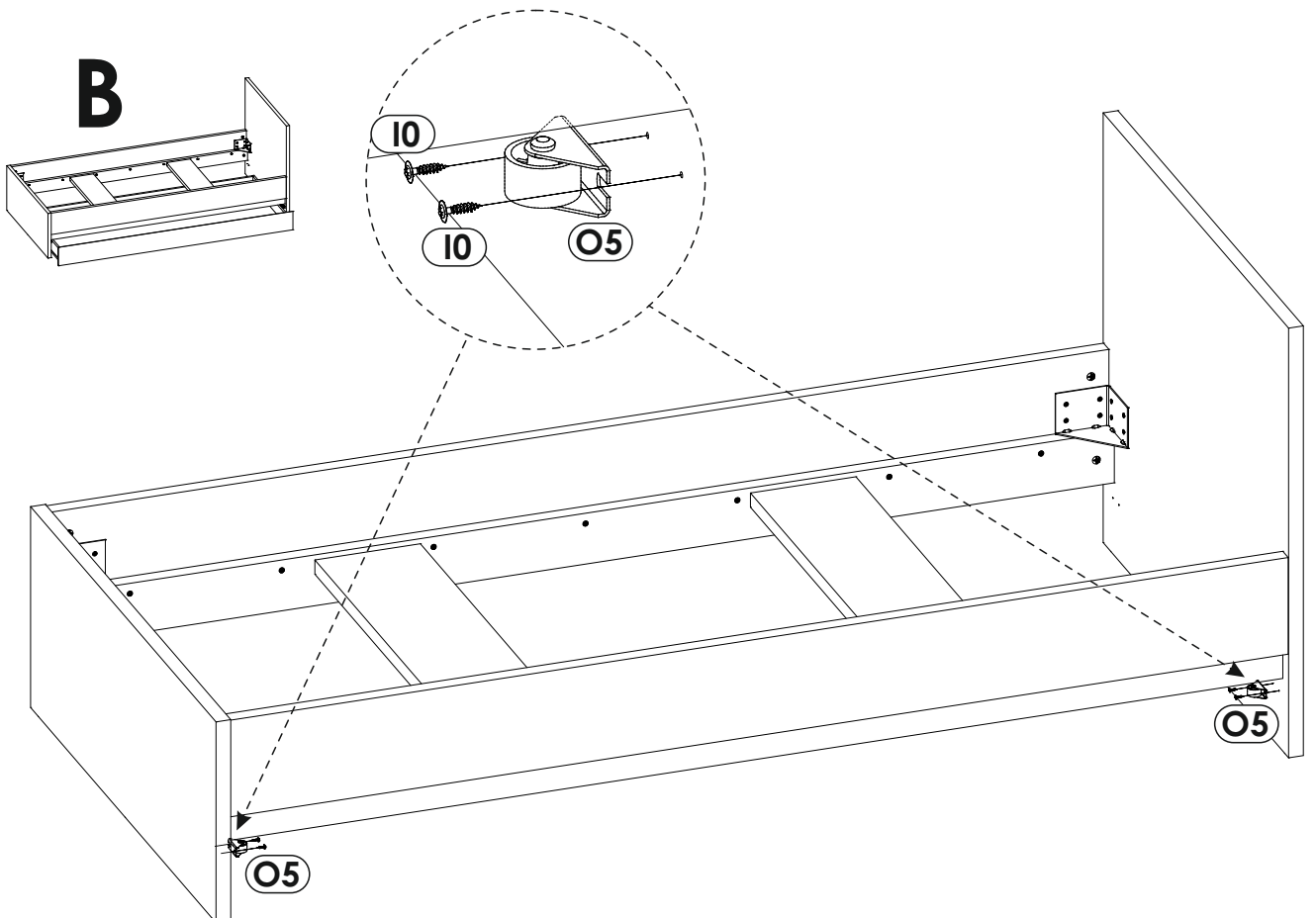
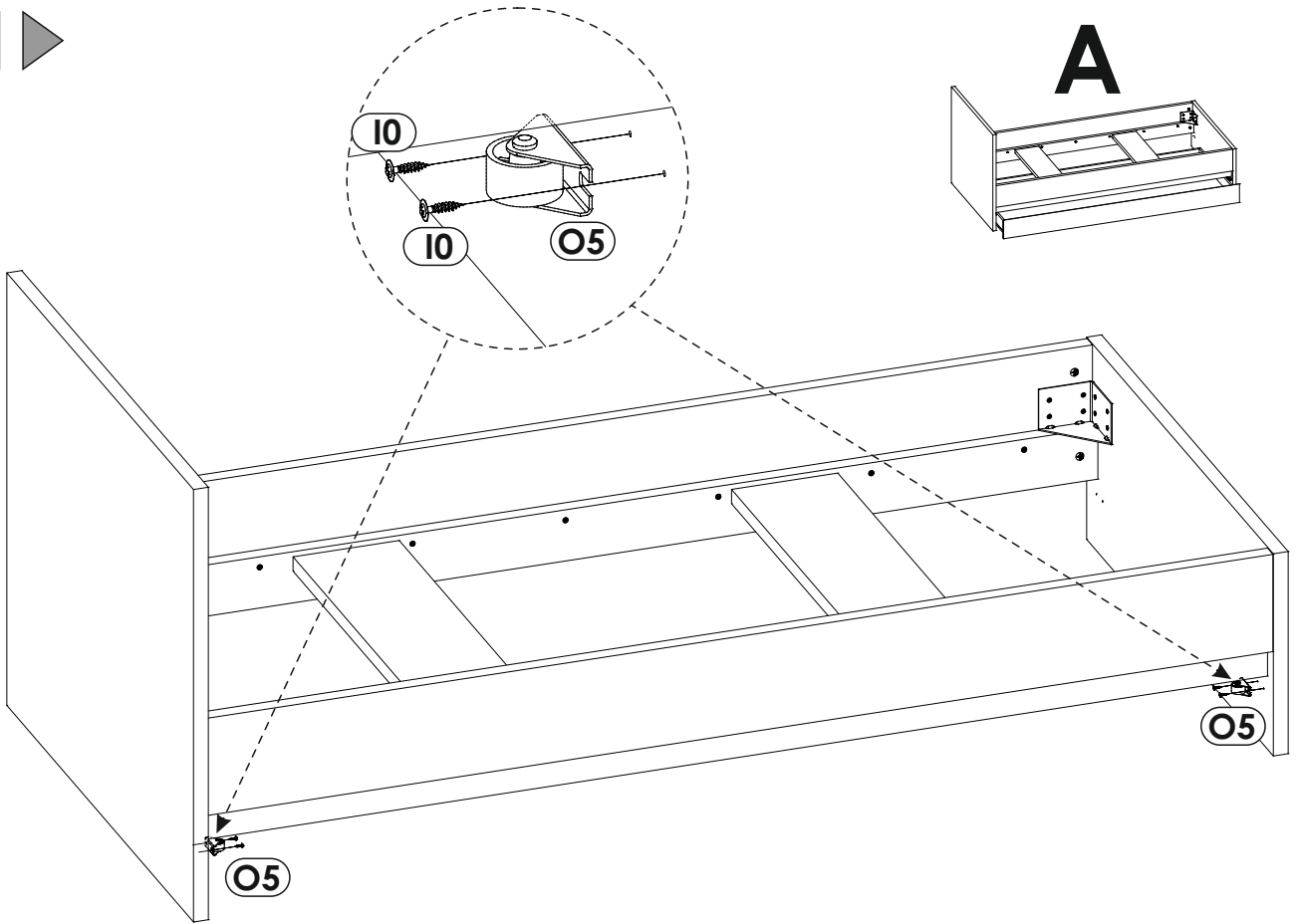
+



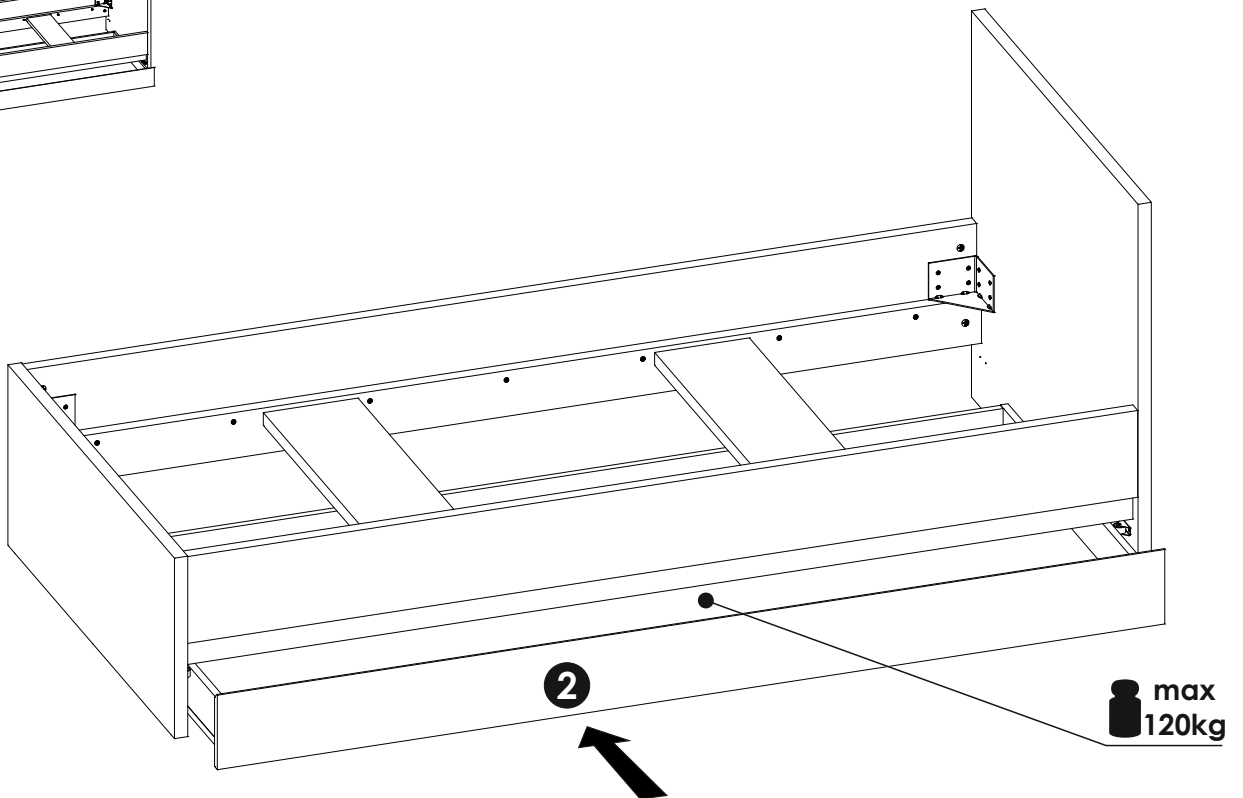
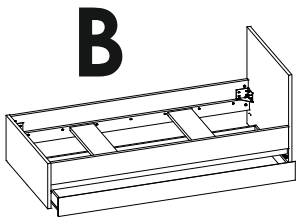
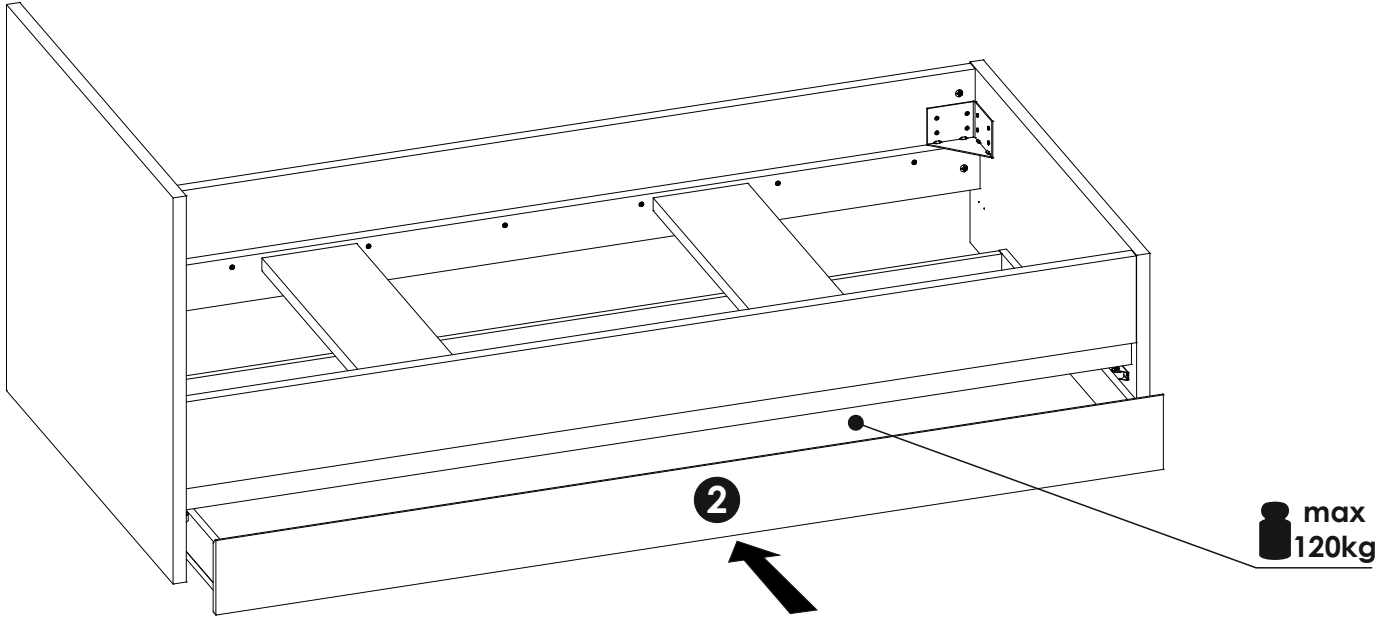
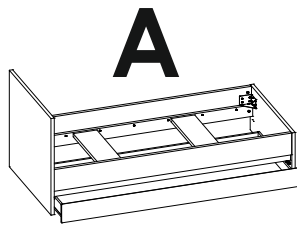
A B

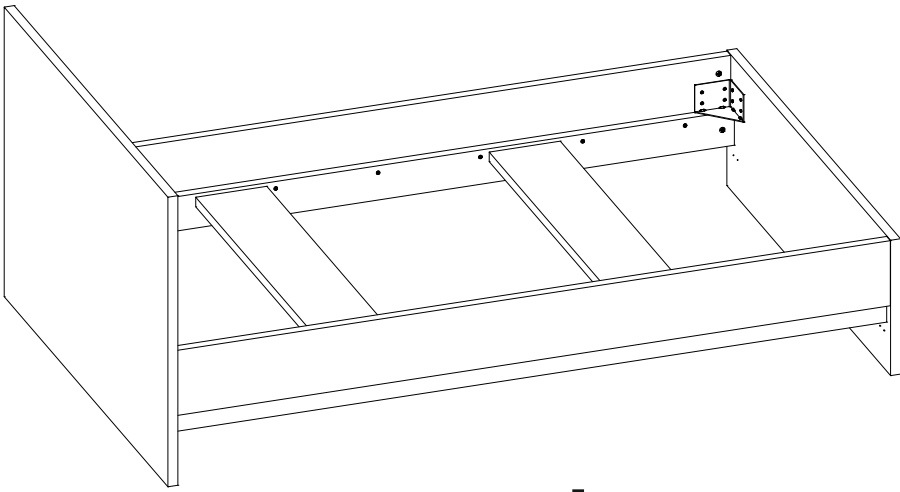


11 ▶

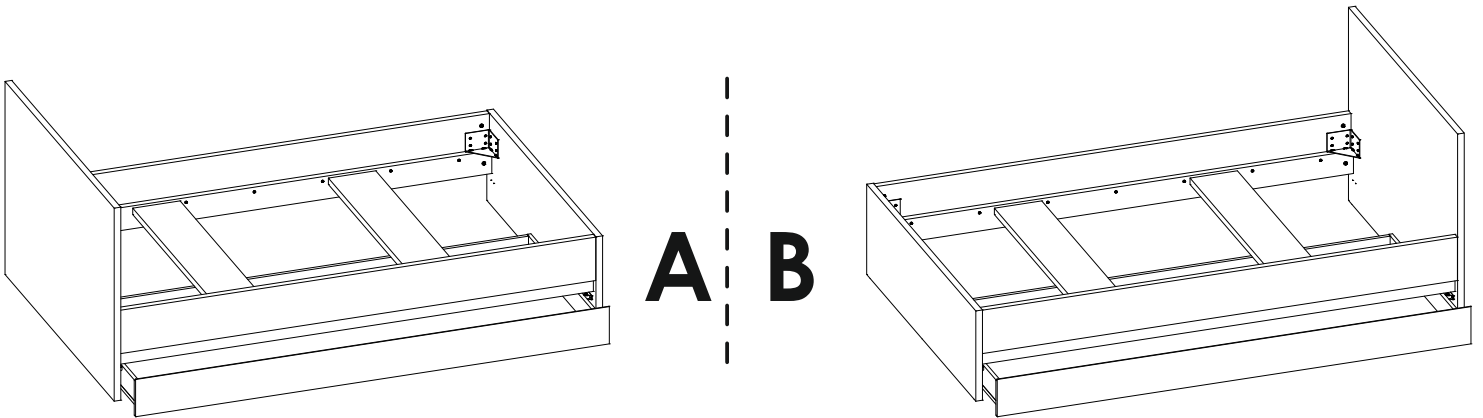
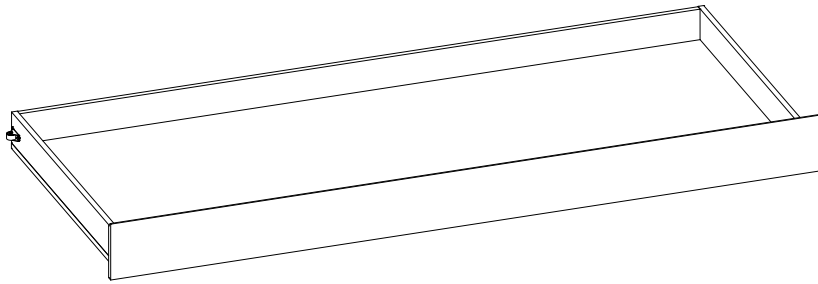


12▶

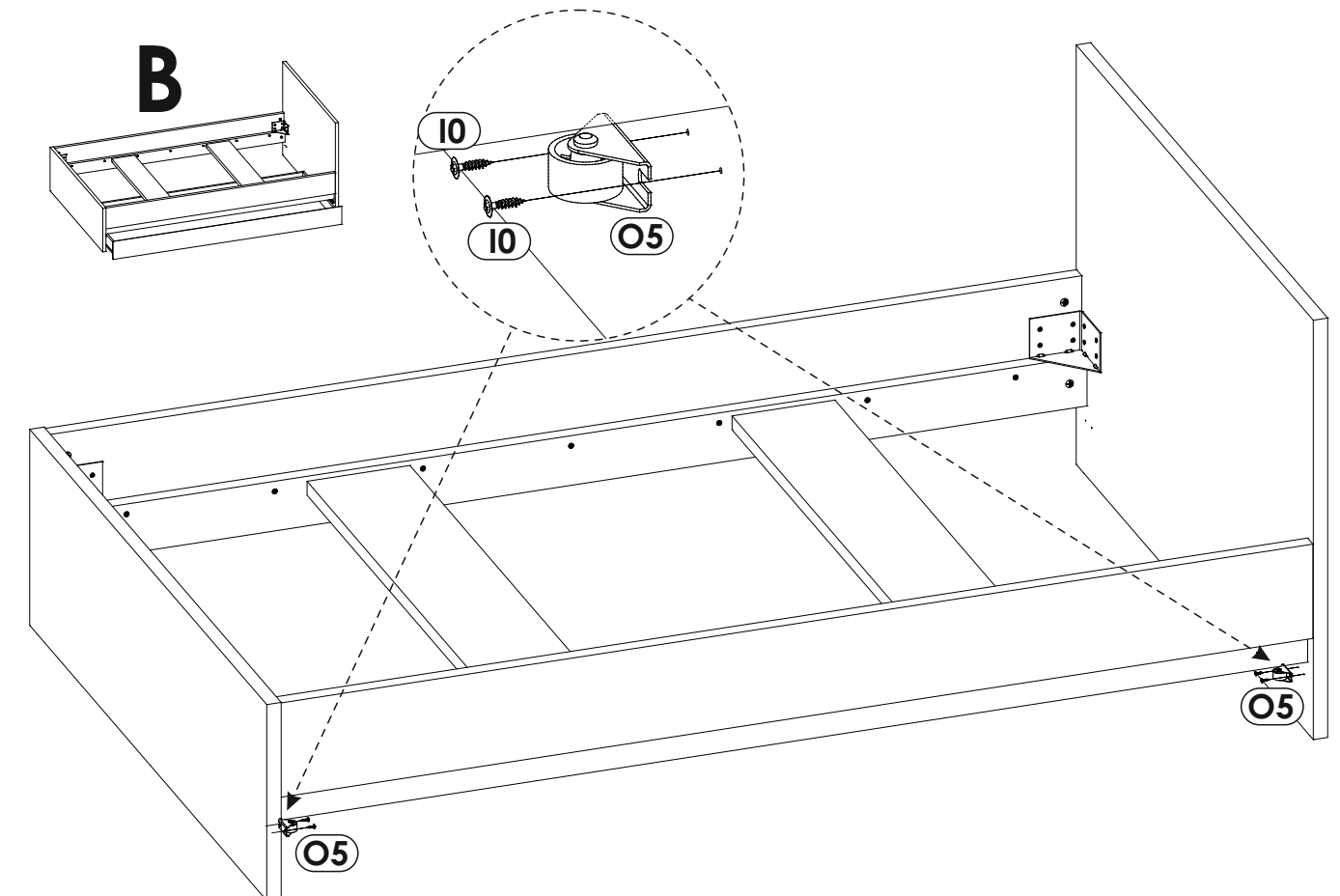
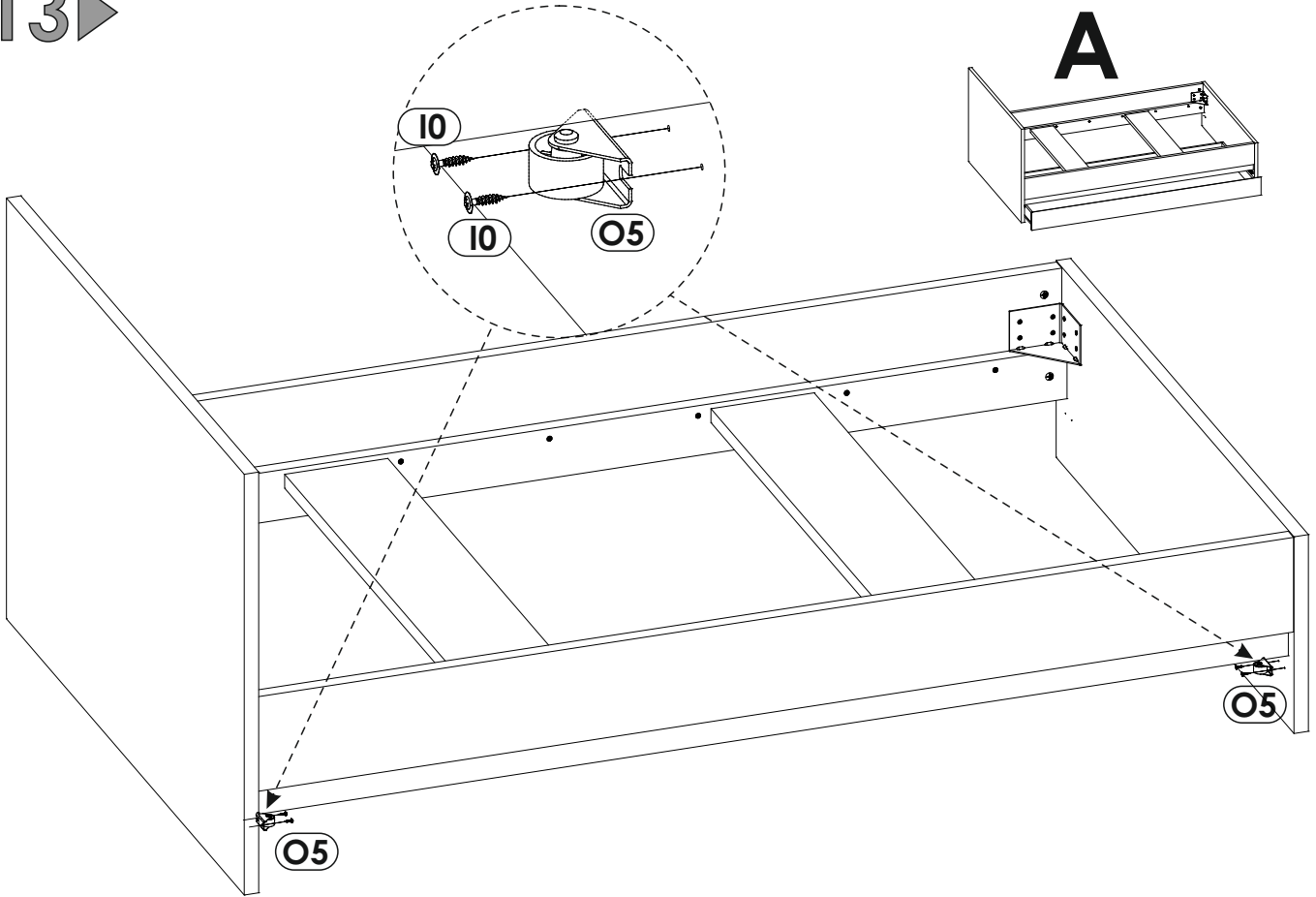




+

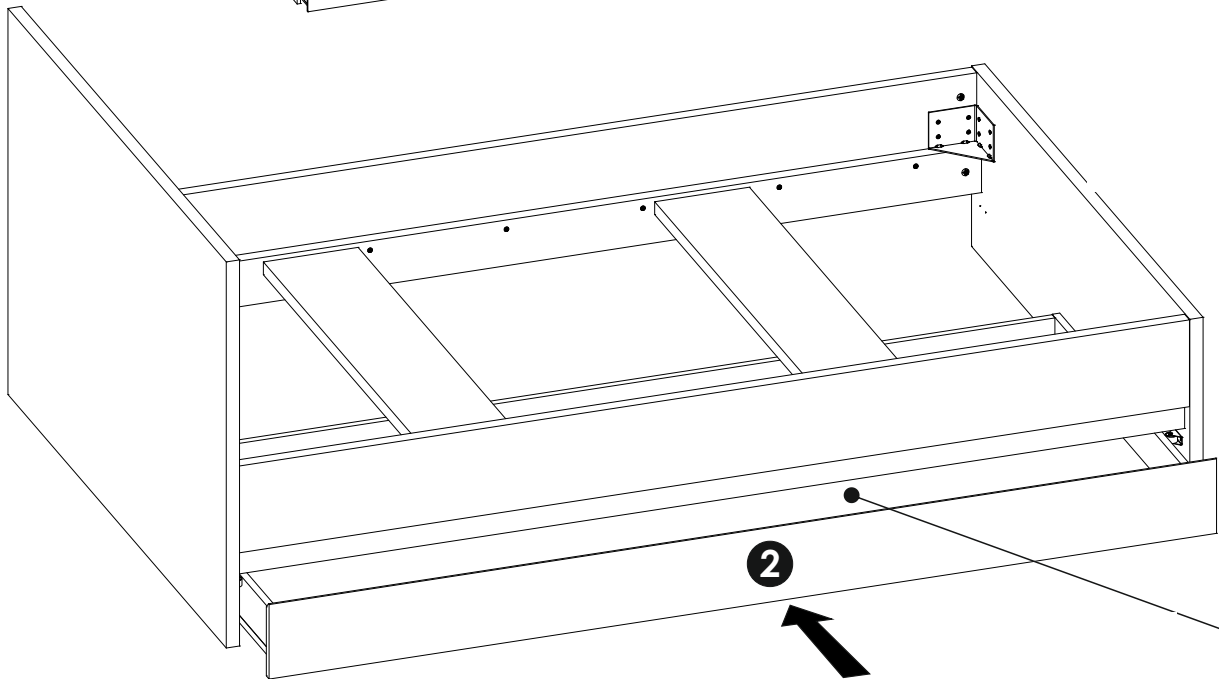
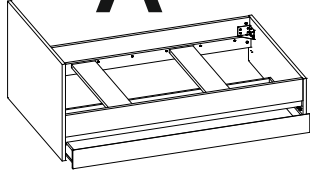


13▶



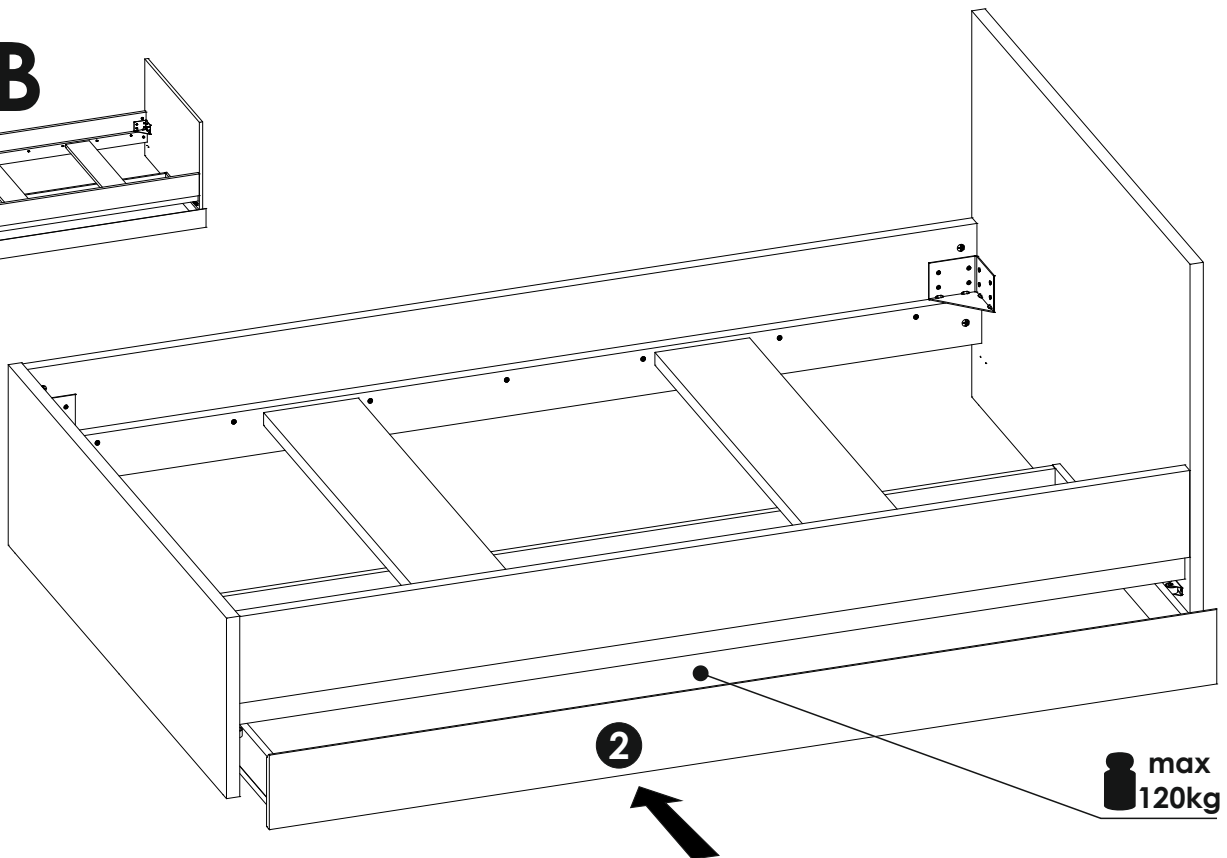
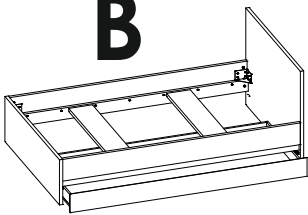
14 ▶

A



max
120kg

B



max
120kg

