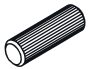
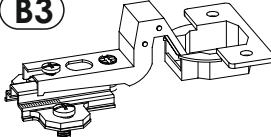
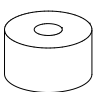
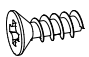
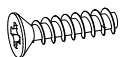
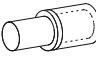
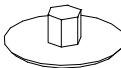

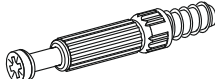
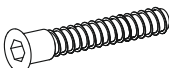
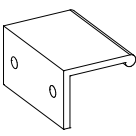
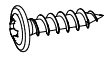
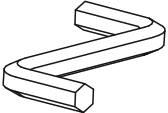




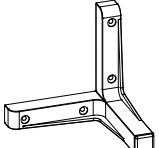
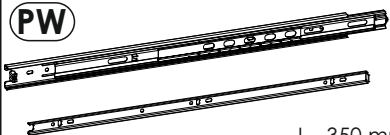

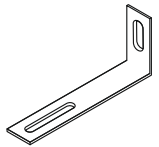

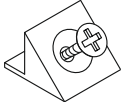
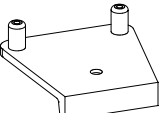
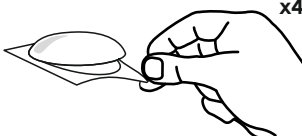
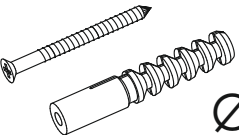
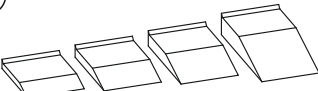
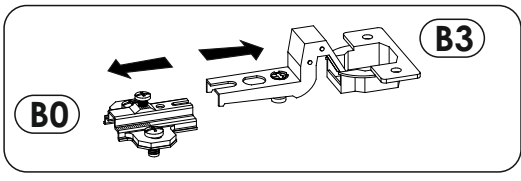
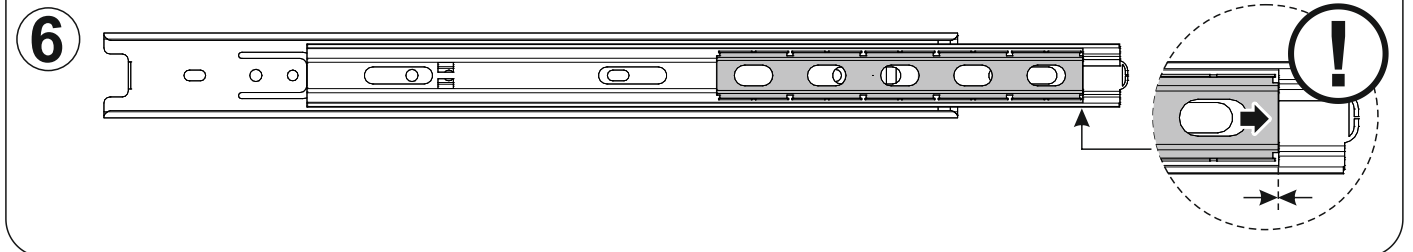
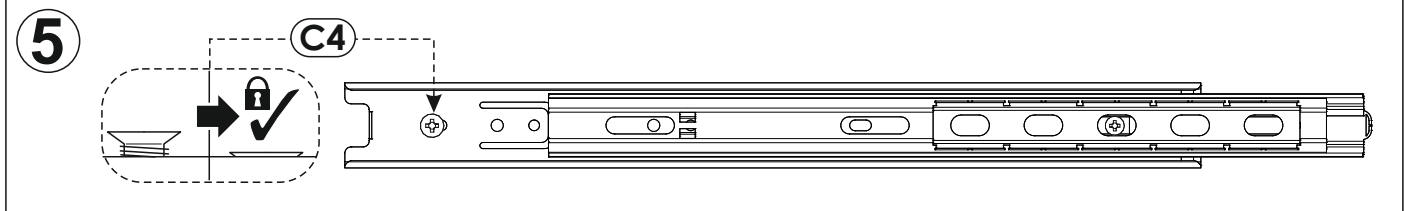
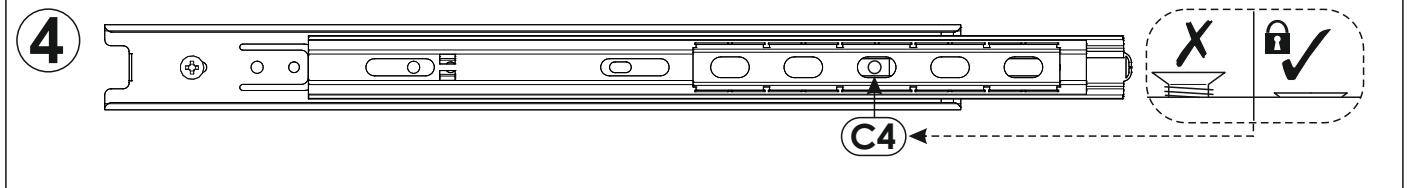
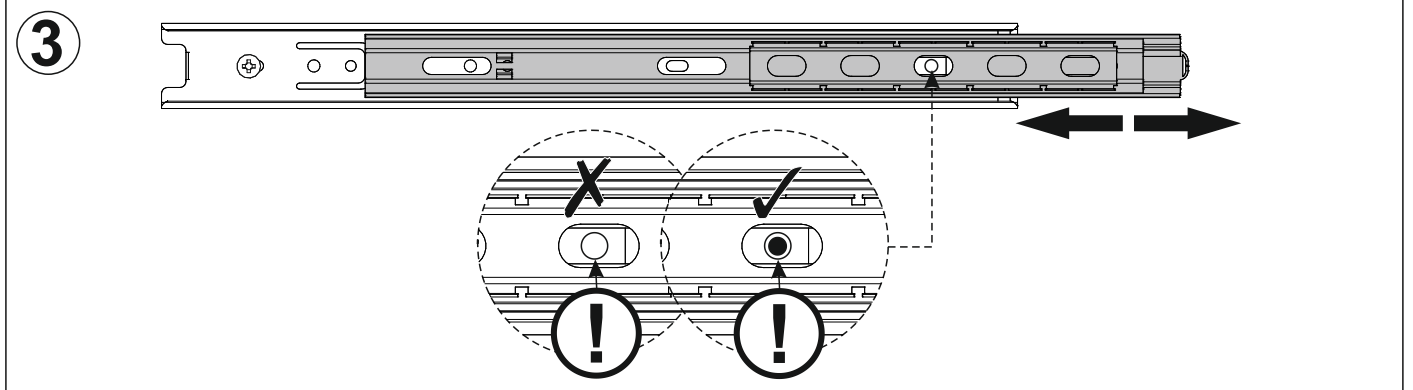
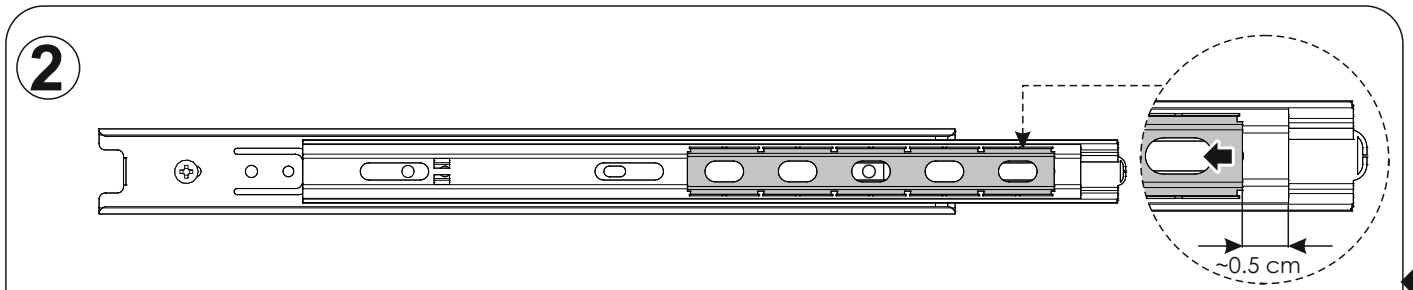
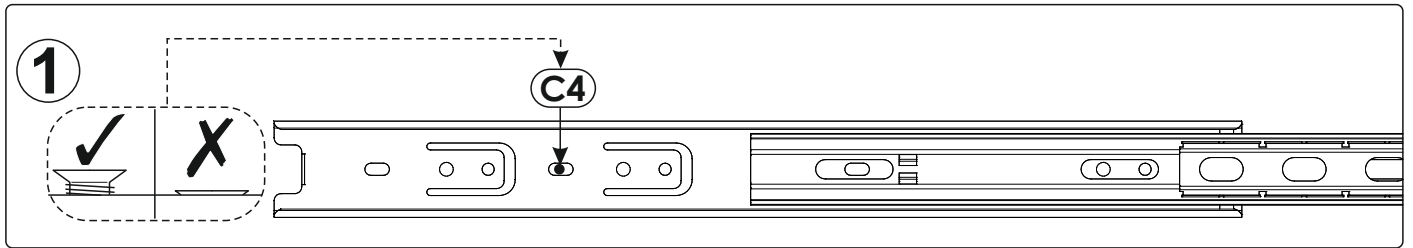
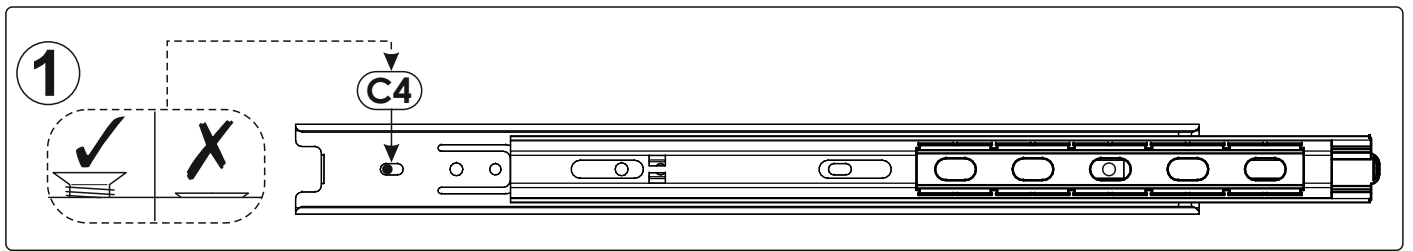
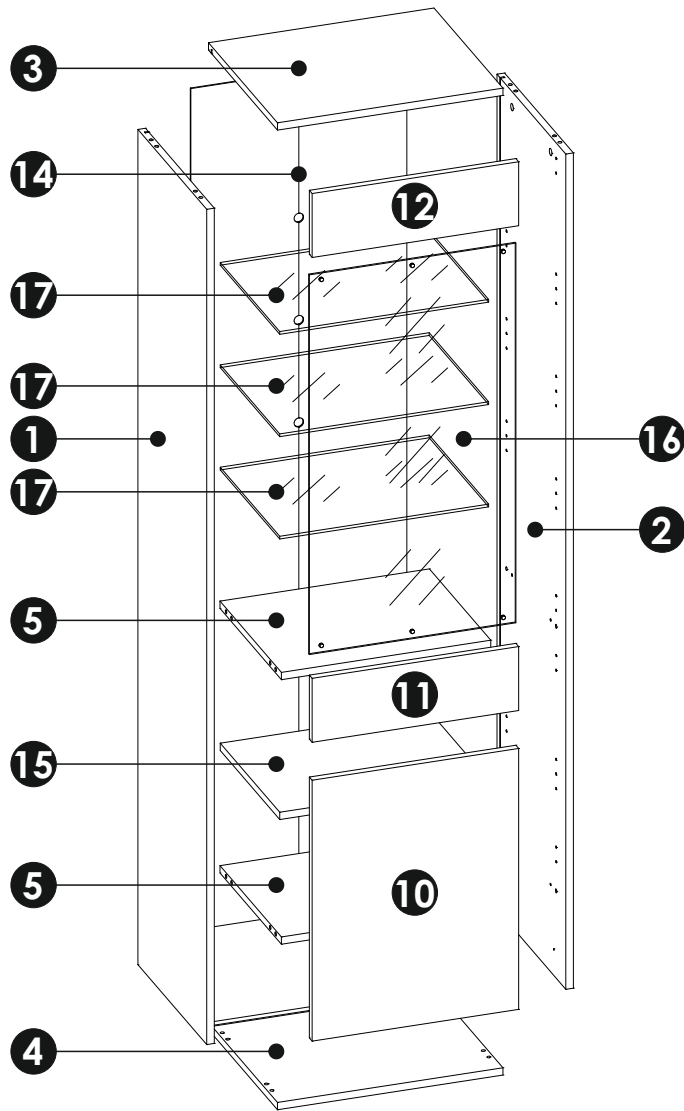
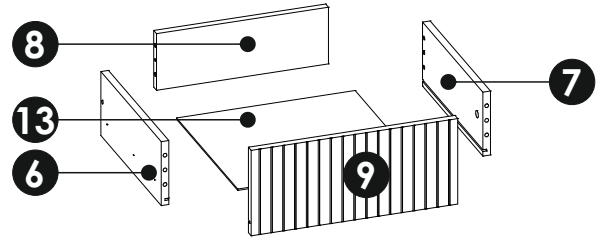
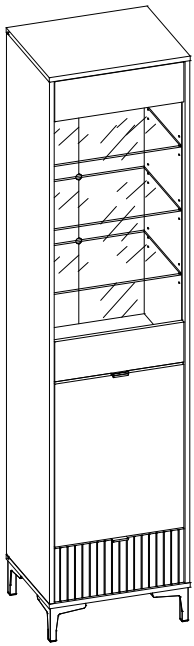


A1 8 x 35 mm x24 	B0 + B3 x4 	BD x4  H - 11 mm
C2 5 x 13 mm x8 	C4 5 x 20 mm x4 	D2 x16 
E0 Ø16 x10 	E1 15 x 12 mm x14 	F1 6 x 34 mm x14 
G1 7 x 50 mm x6 	H1 x3  L - 50 mm	I2 4 x 16 mm x7 
M x1 	N1 3 x 16 mm x15 	N4 3,5 x 13 mm x10 
N5 3,5 x 16 mm x6 	N7 3,5 x 30 mm x16 	O12 x4 
PW x1  L - 350 mm	P15 x3 	Q9 x1 
R3 x6 	R4 x13 	R5 x4 
R8 x4 	S13 x1  Ø8	Z x1 



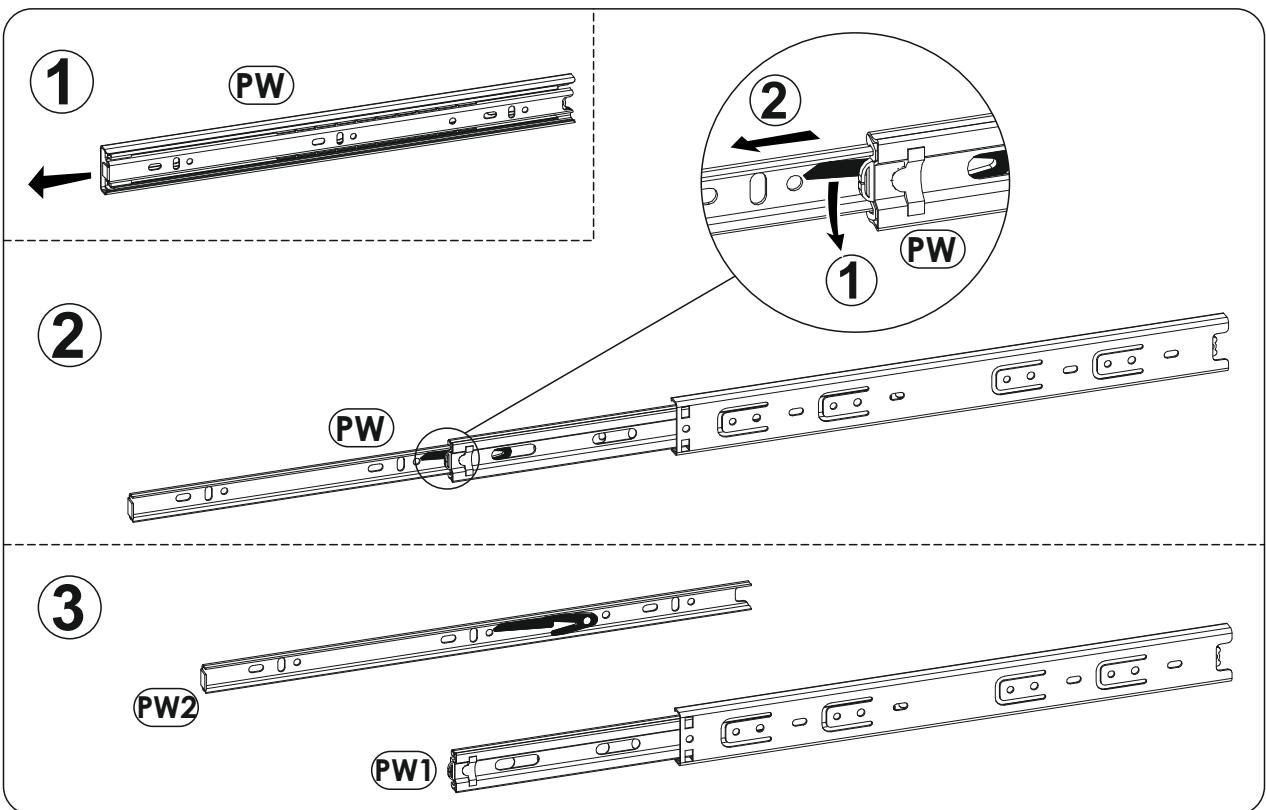
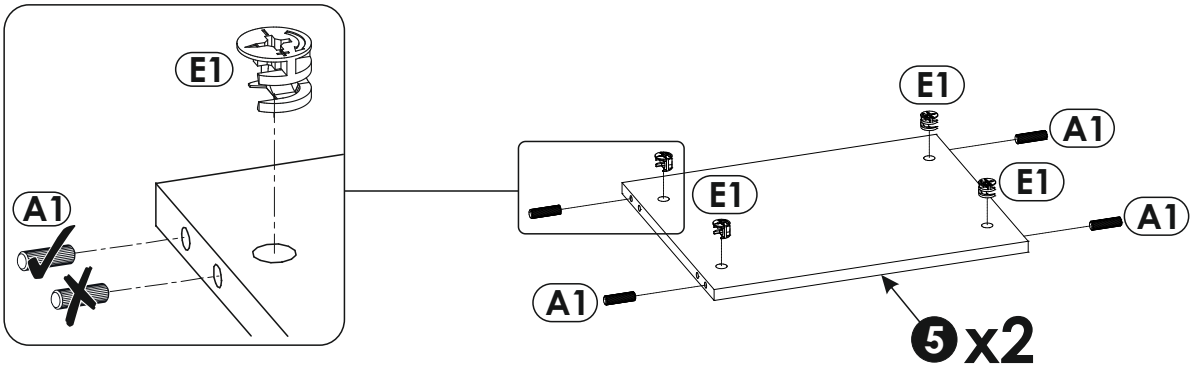
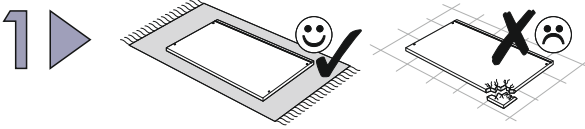
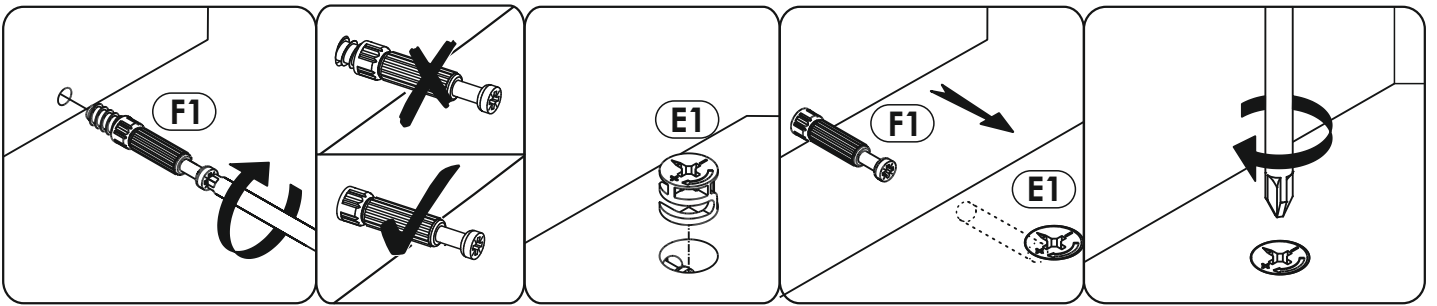




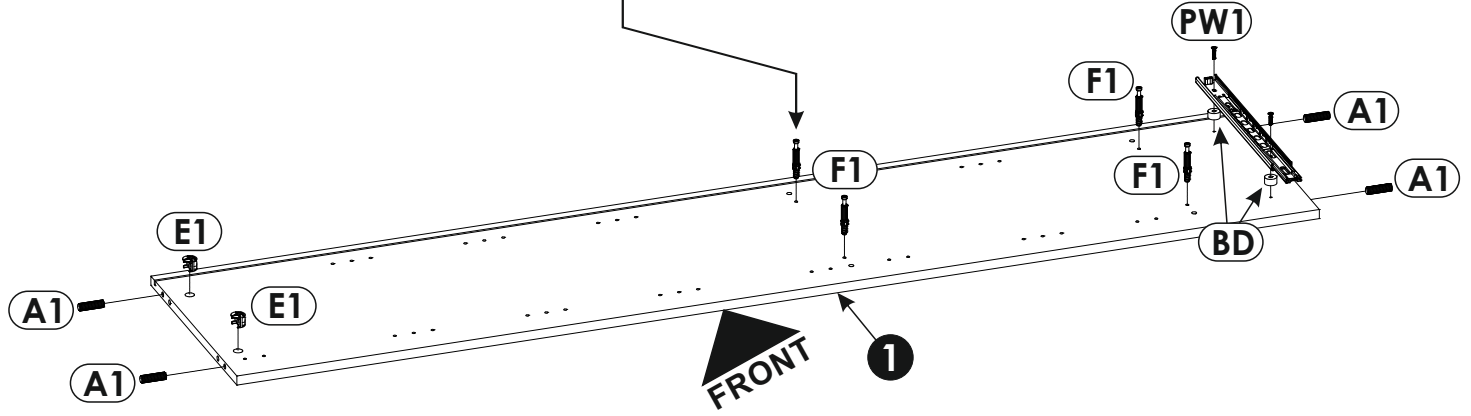
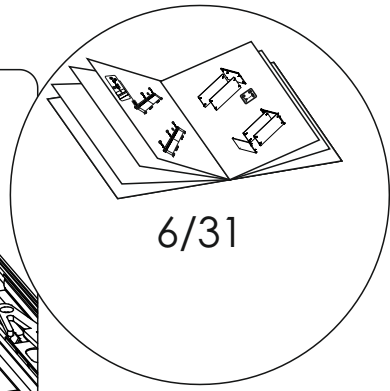
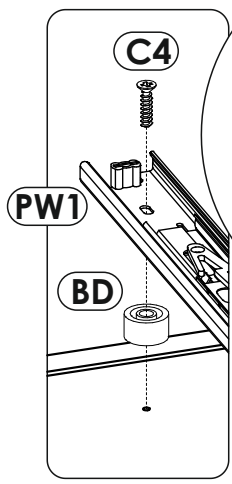
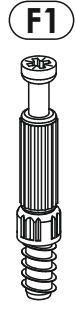
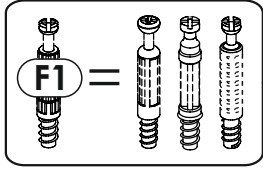
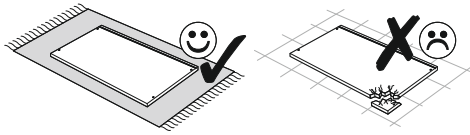
1	1828	399	16	x1	2/2
2	1828	399	16	x1	2/2
3	476	400	16	x1	1/2
4	476	400	16	x1	1/2
5	442	356	16	x2	1/2
6	350	140	16	x1	1/2

7	350	140	16	x1	1/2
8	363	124	16	x1	1/2
9	187	436	16	x1	2/2
10	571	436	16	x1	2/2
11	436	140	16	x1	2/2
12	436	140	16	x1	2/2

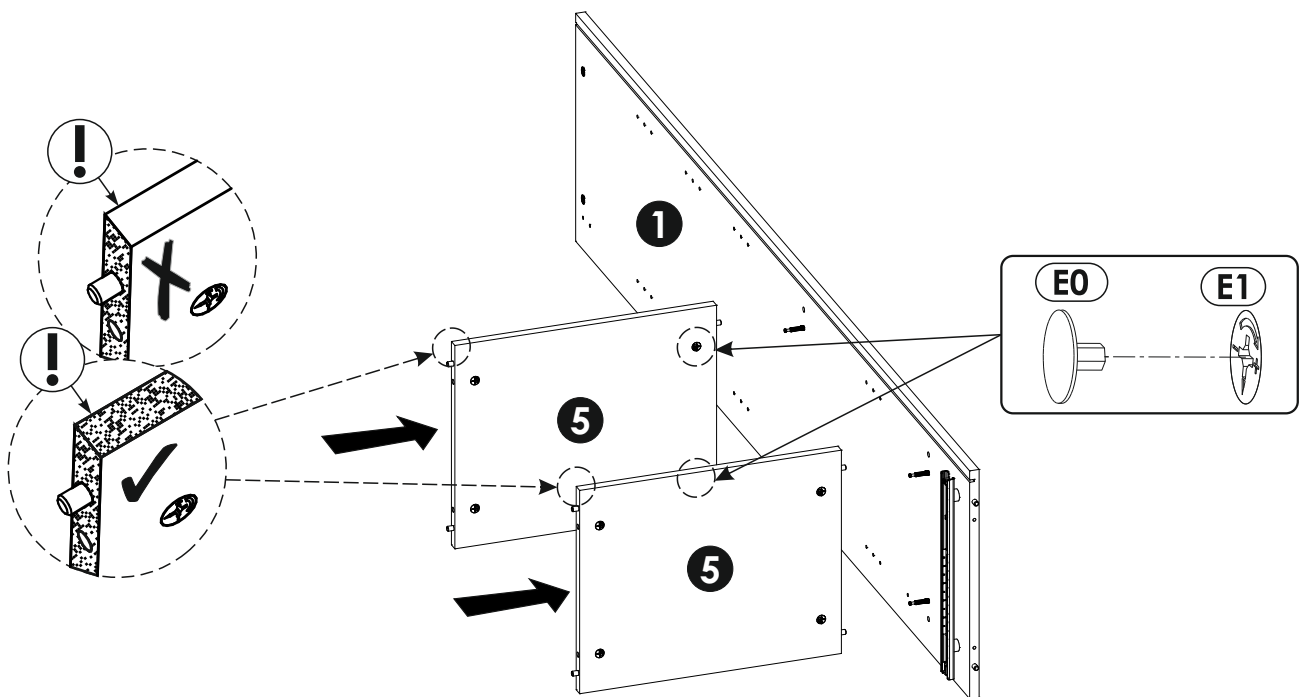
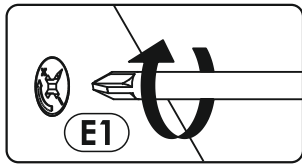
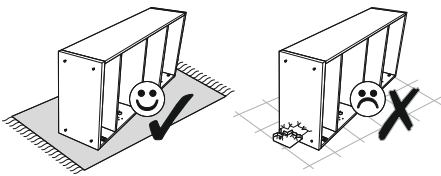
13	377	355	3	x1	1/2
14	1842	456	3	x1	2/2
15	441	345	16	x1	1/2
16	831	436	4	x1	2/2
17	441	345	6	x3	1/2



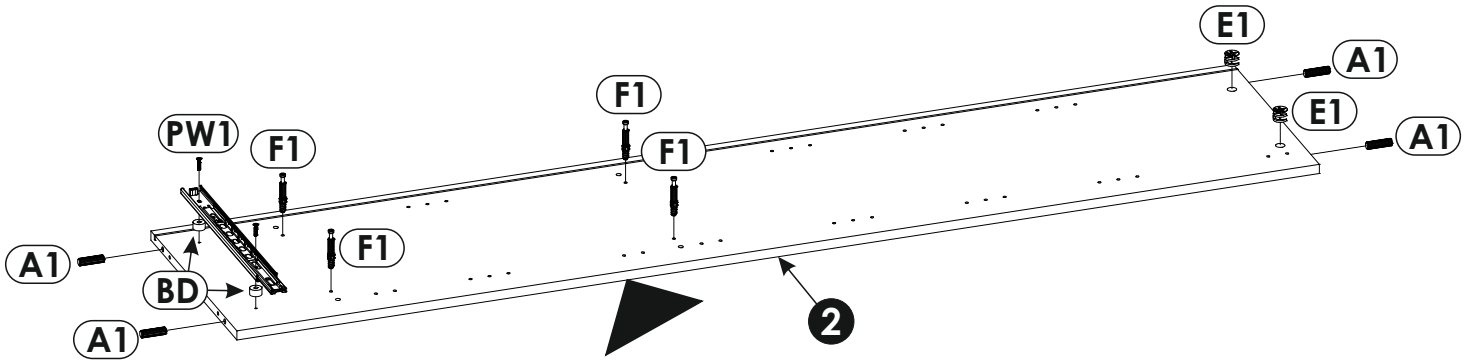
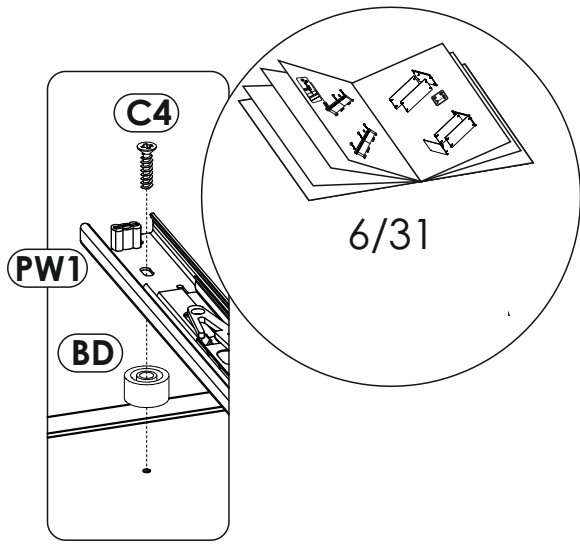
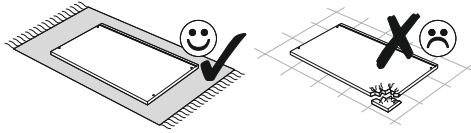
2 ▶



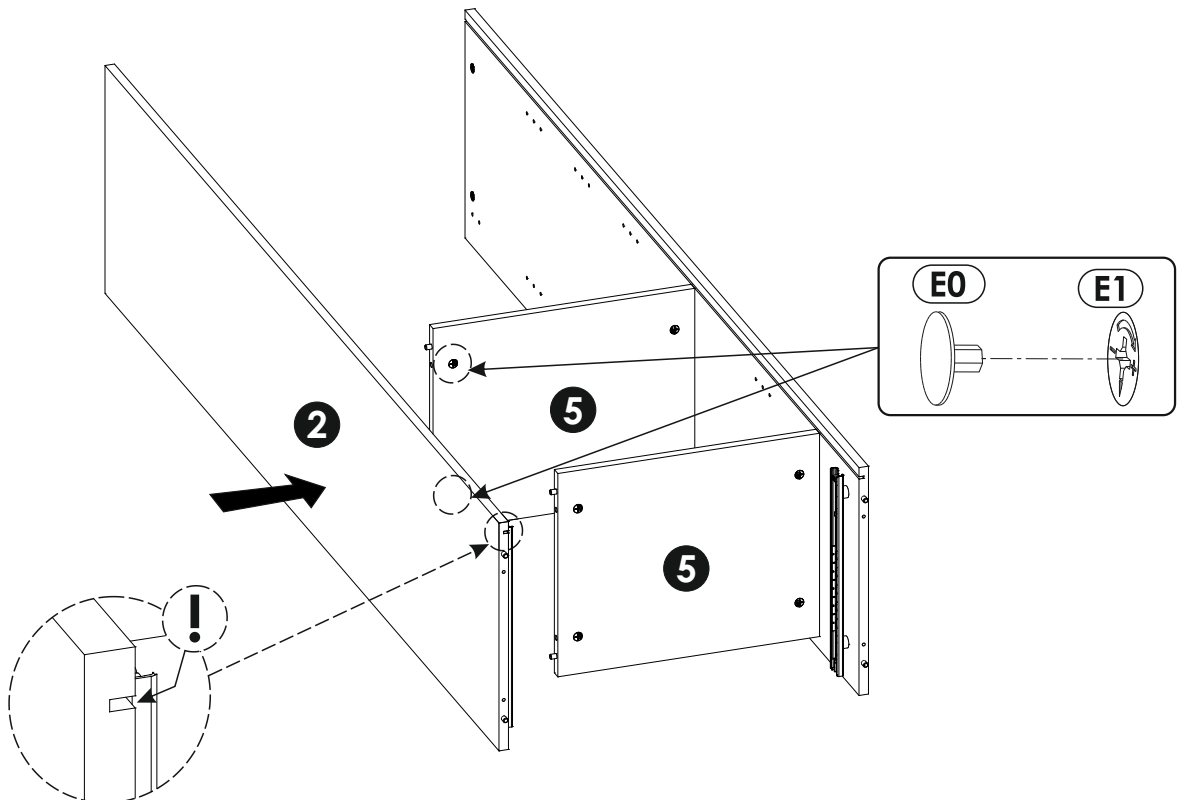
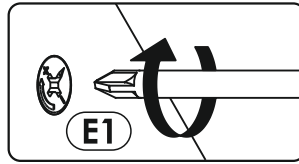
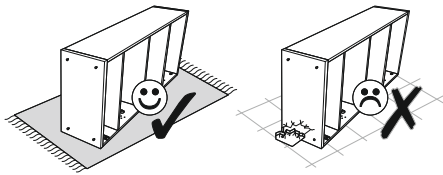
3 ▶



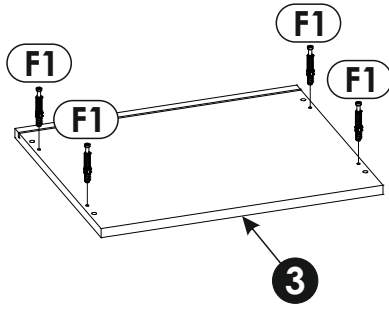
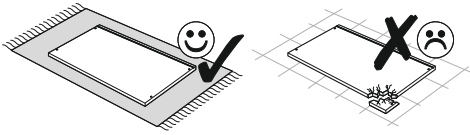
4



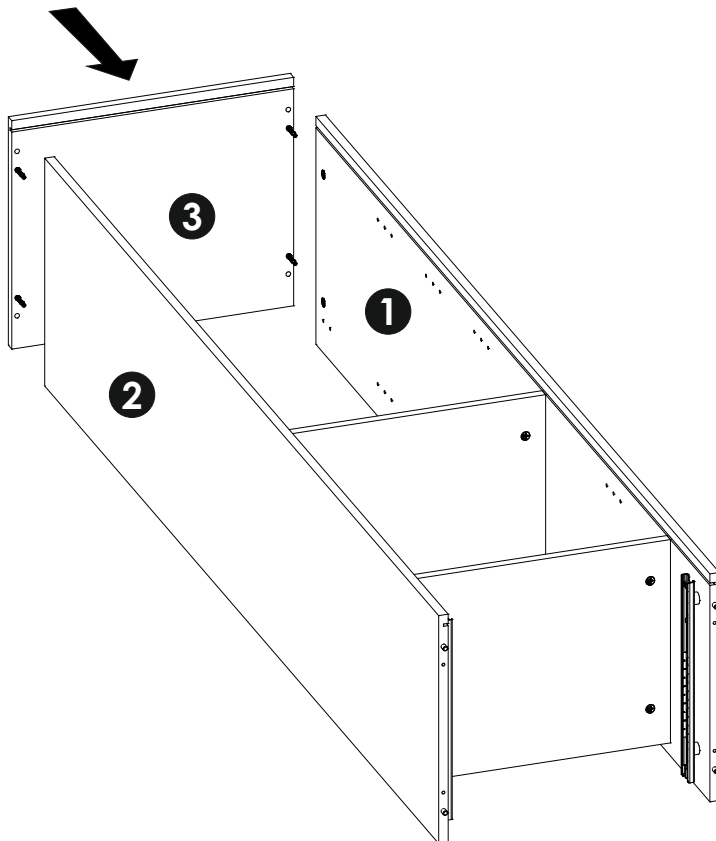
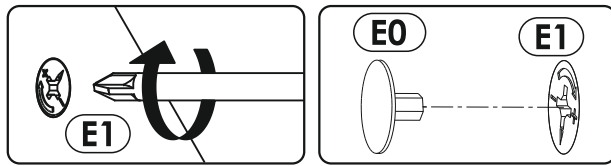
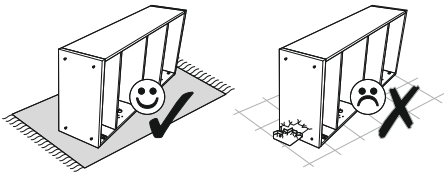
5

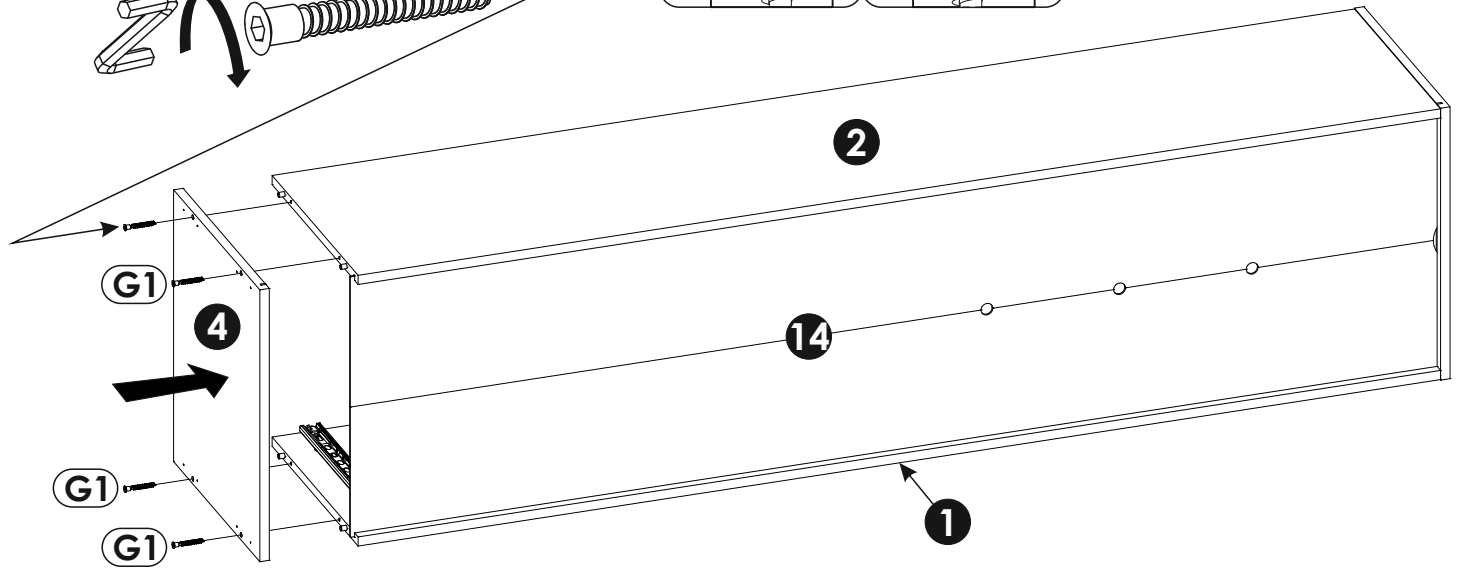
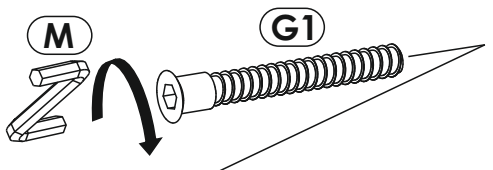
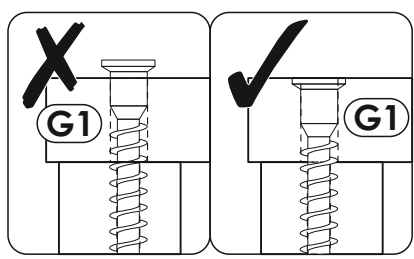
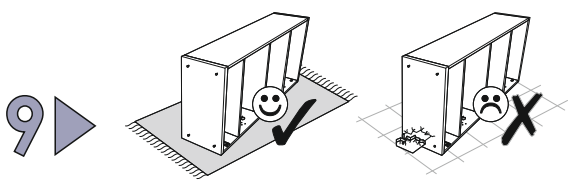
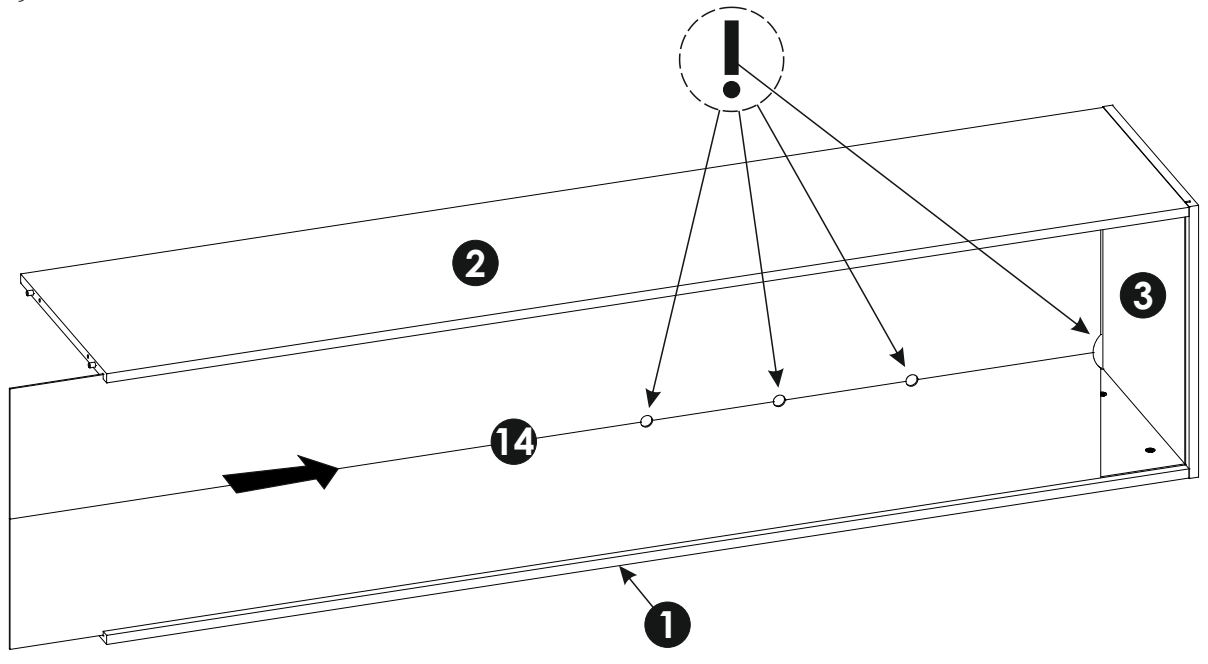
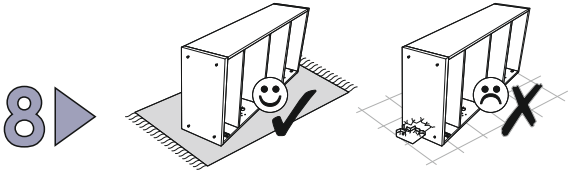


6 ▶

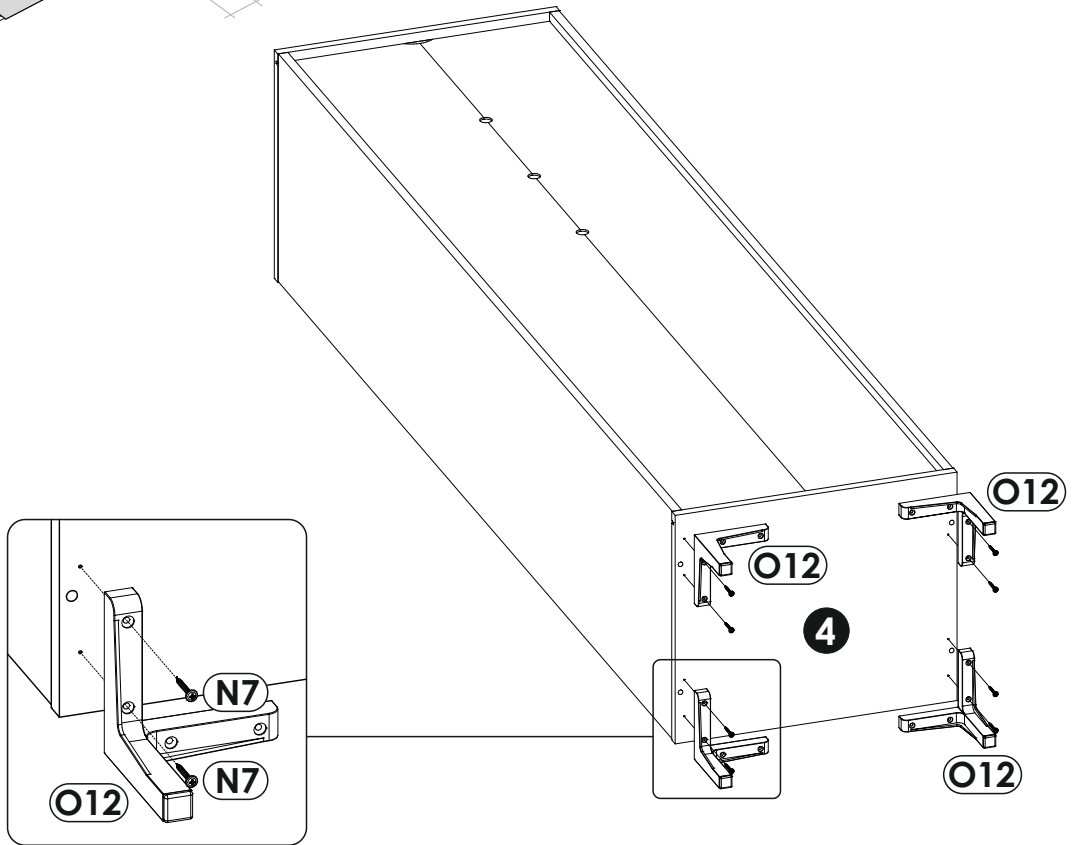
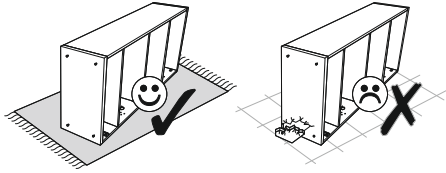


7 ▶

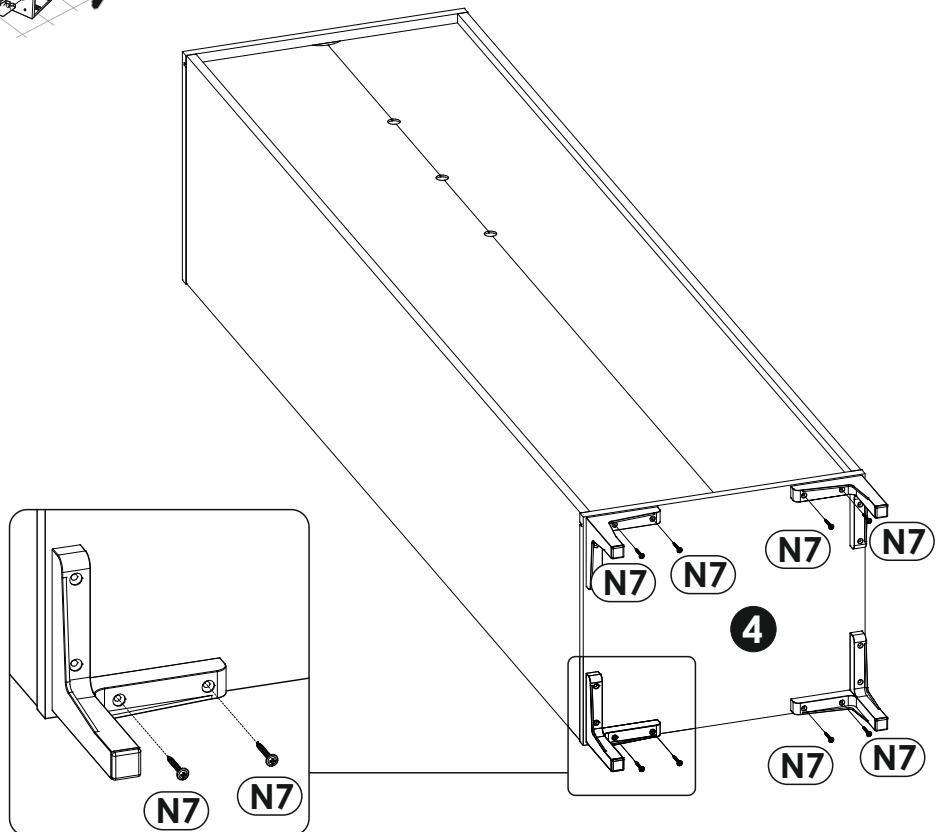
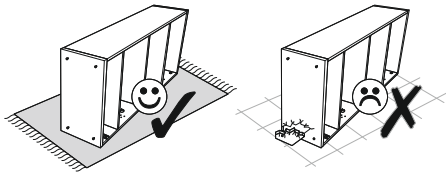




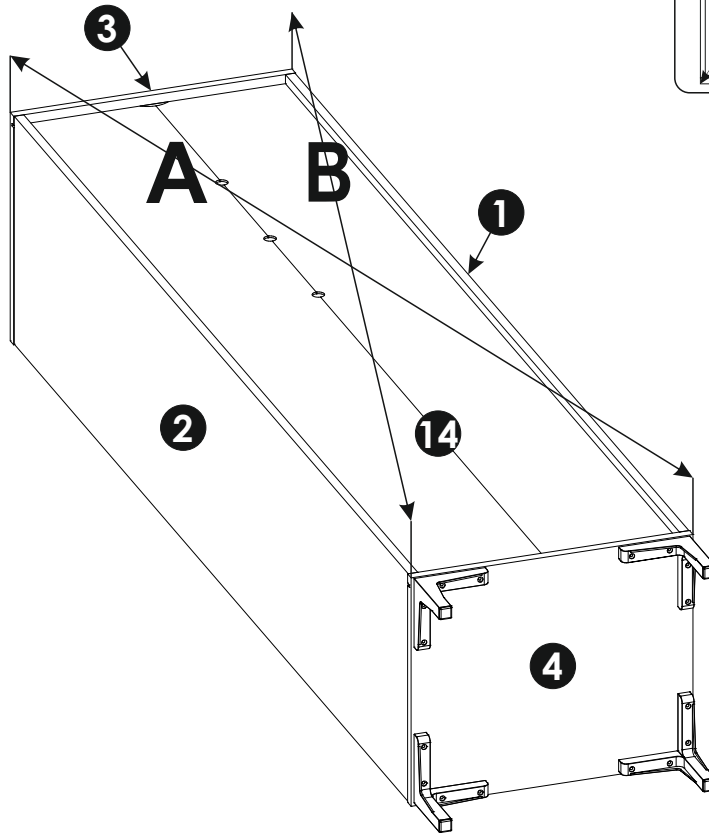
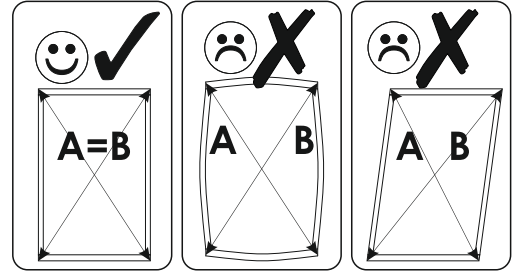
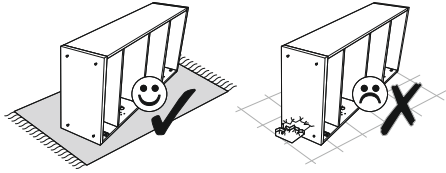
10 ▶



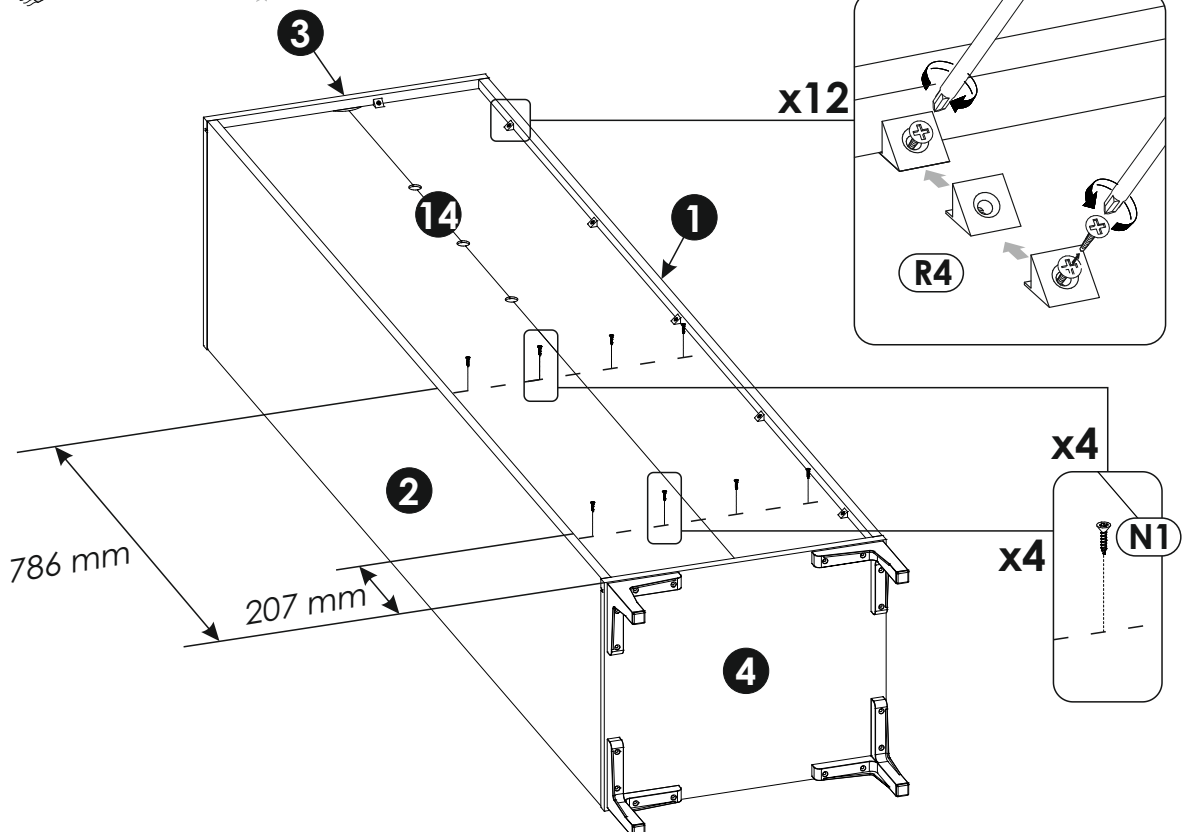
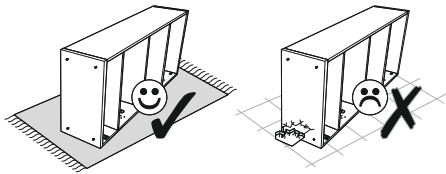
11 ▶



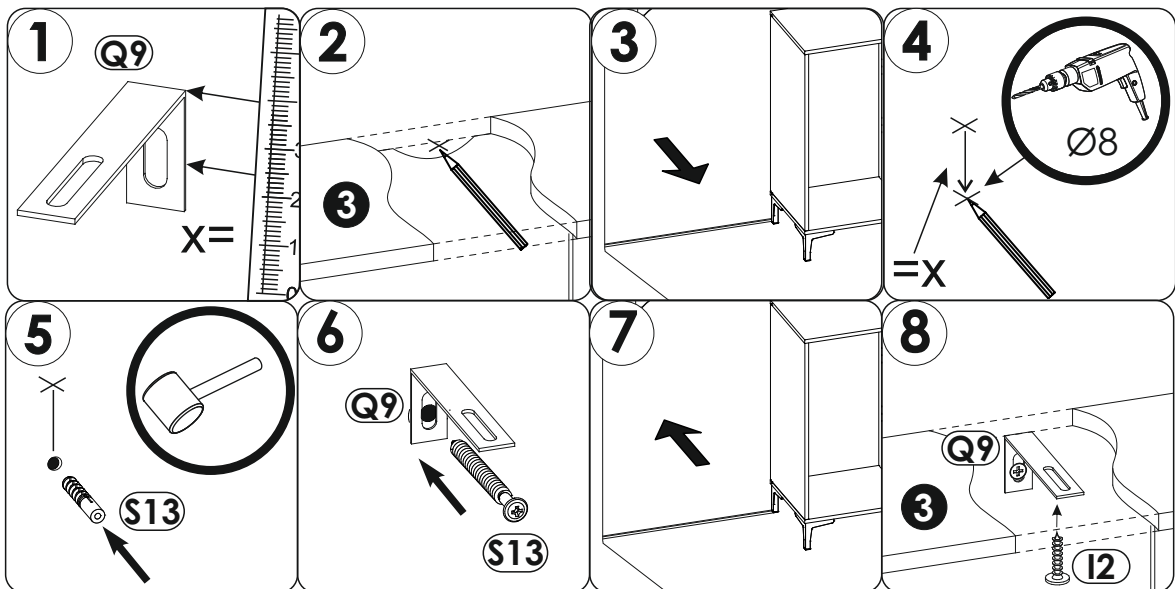
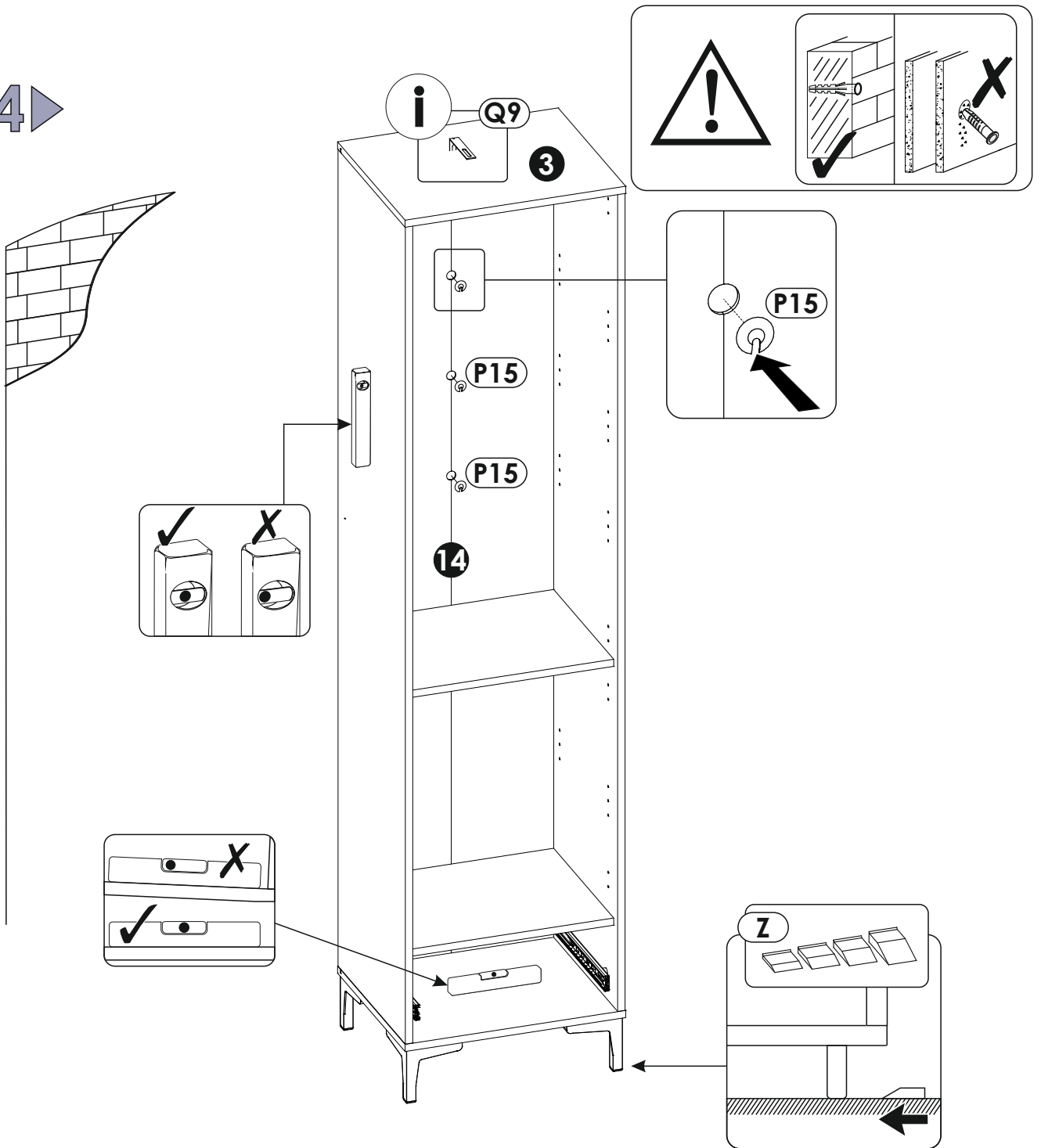
12 ▶

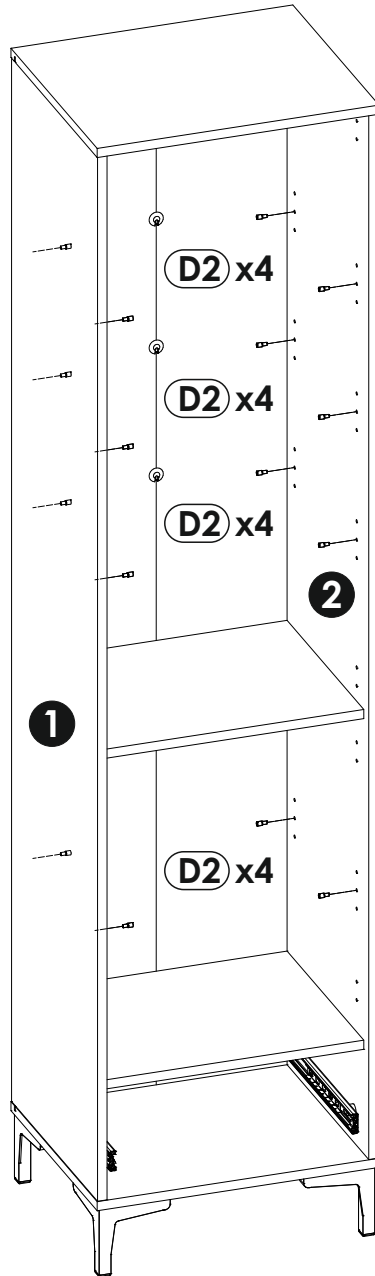
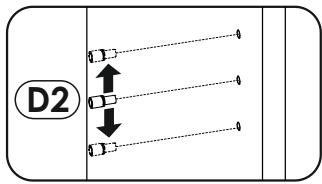


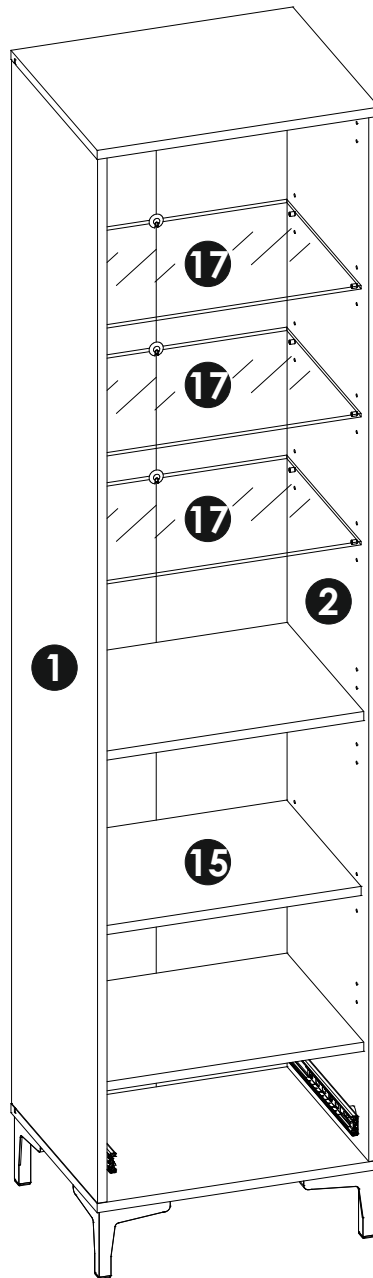
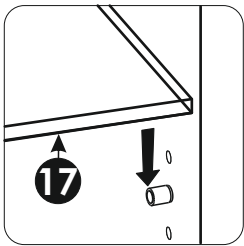
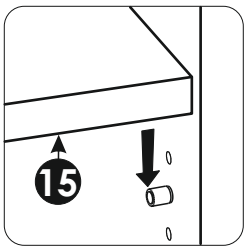
13 ▶



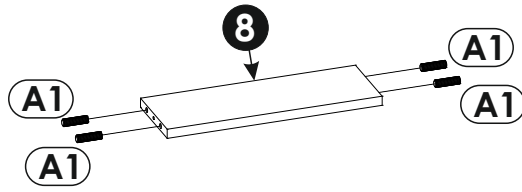
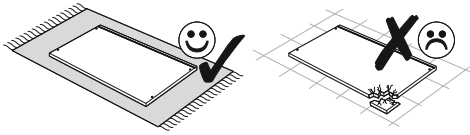
14



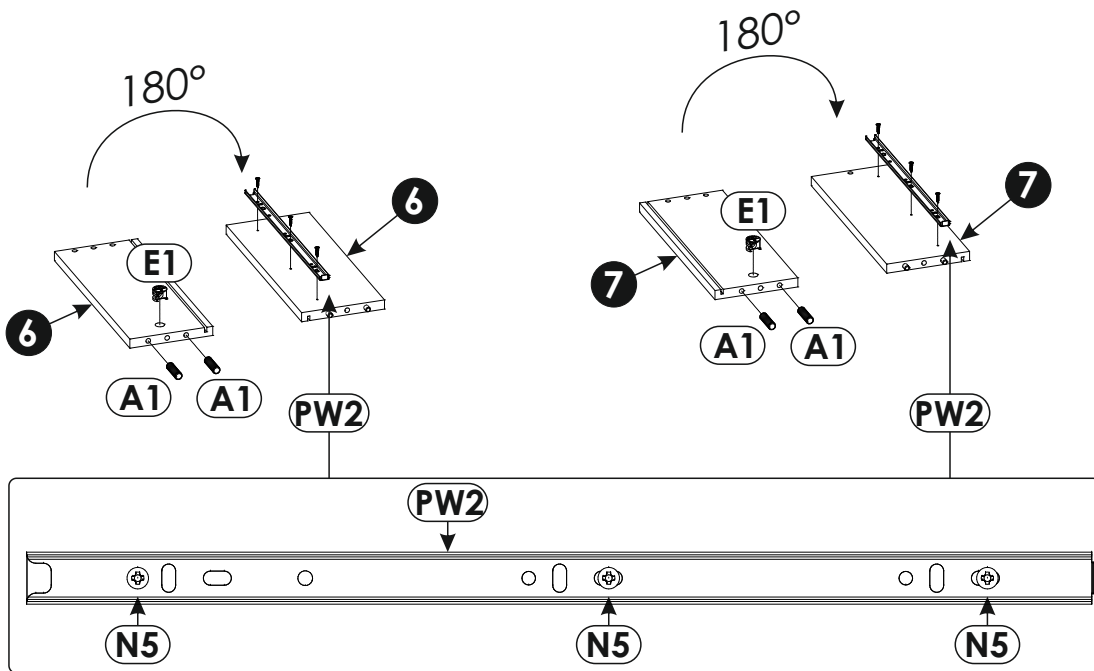
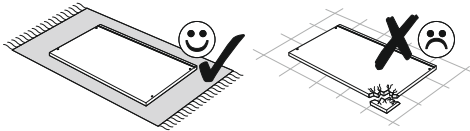




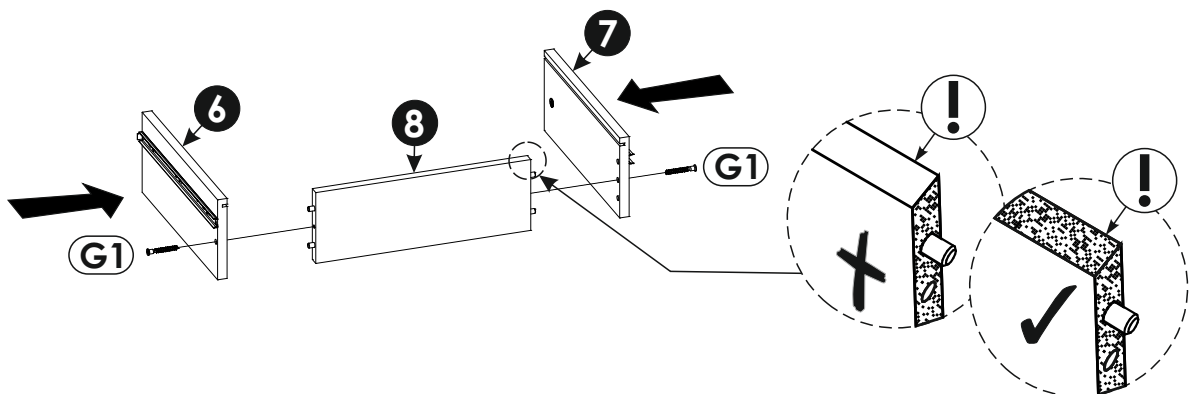
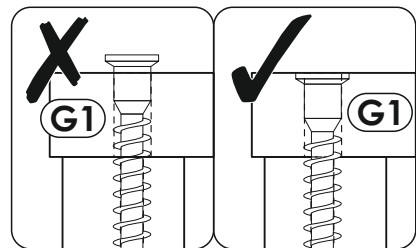
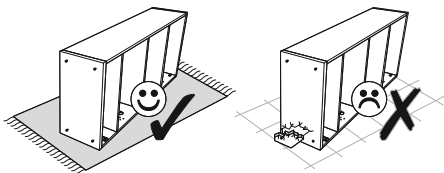
17▶



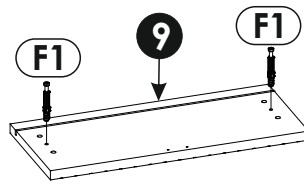
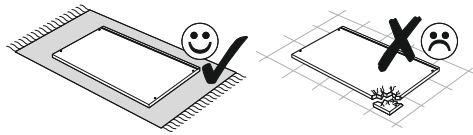
18▶



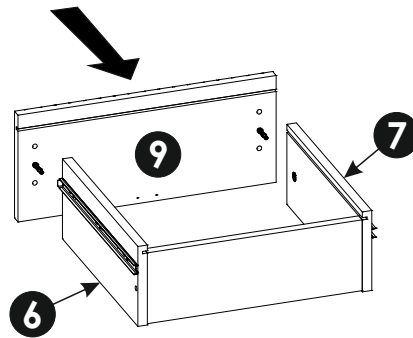
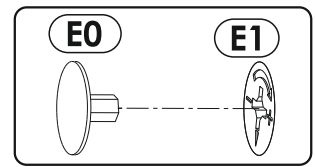
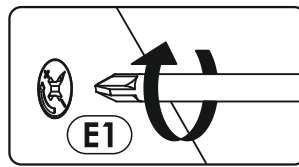
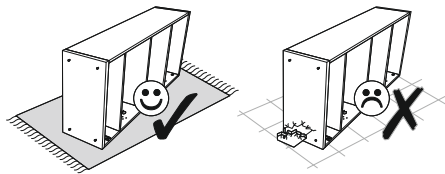
19▶



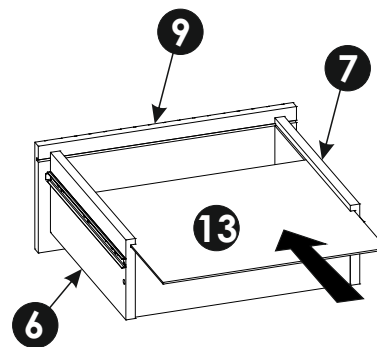
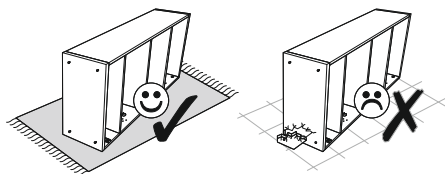
20 ▶



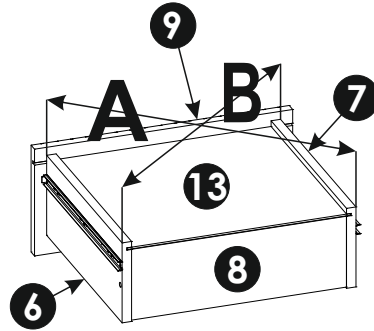
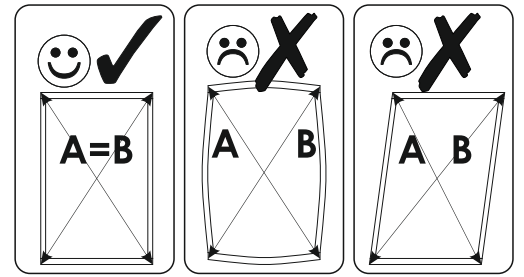
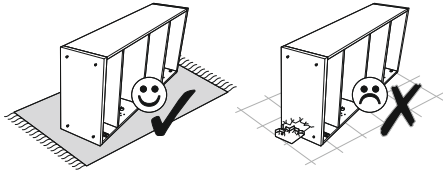
21 ▶



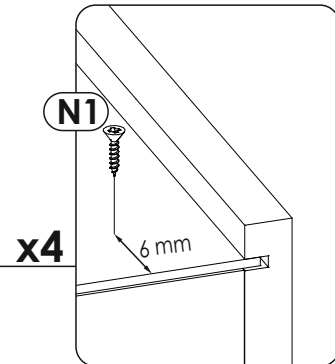
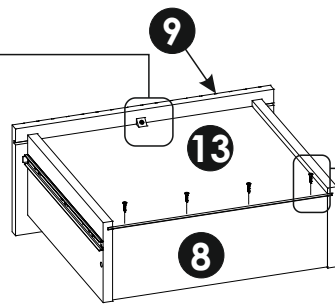
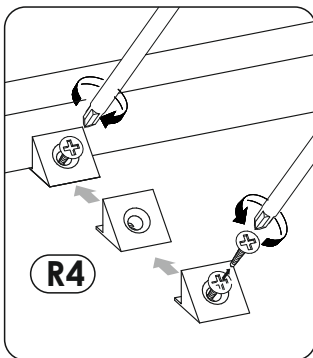
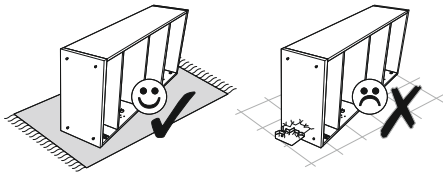
22 ▶



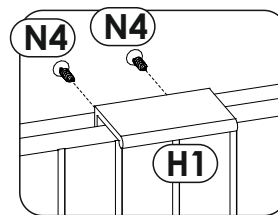
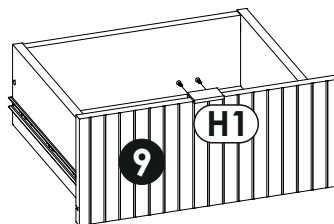
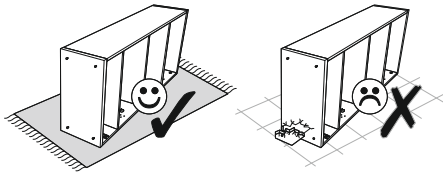
23 ▶

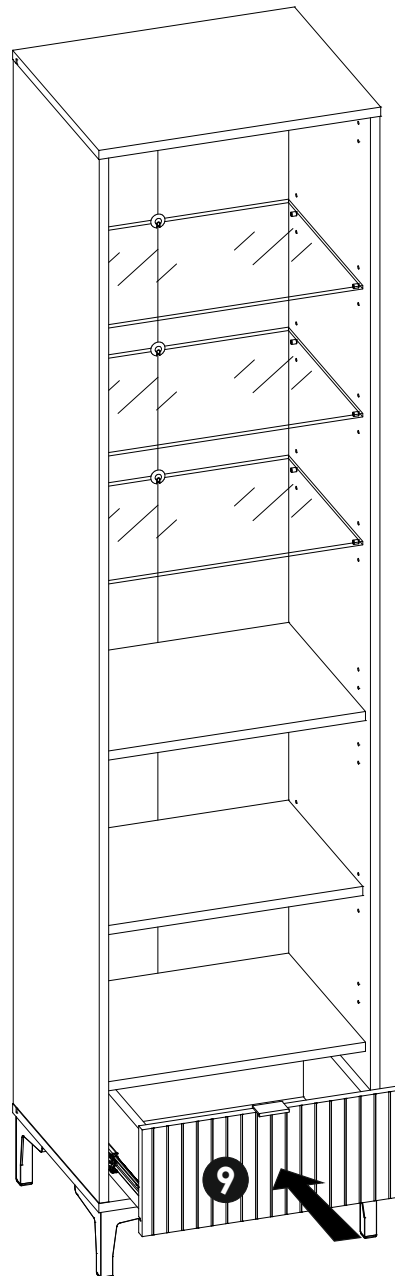
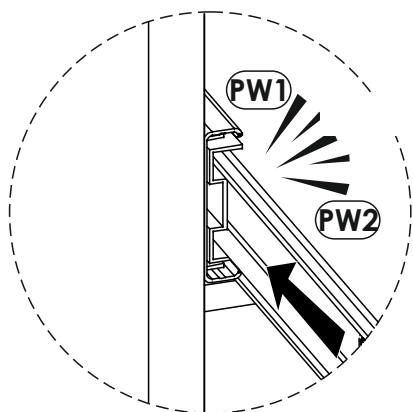


24 ▶



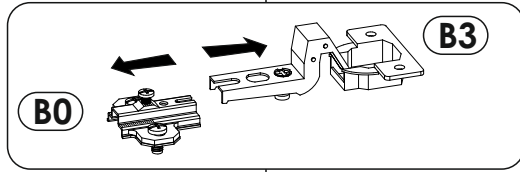
25 ▶



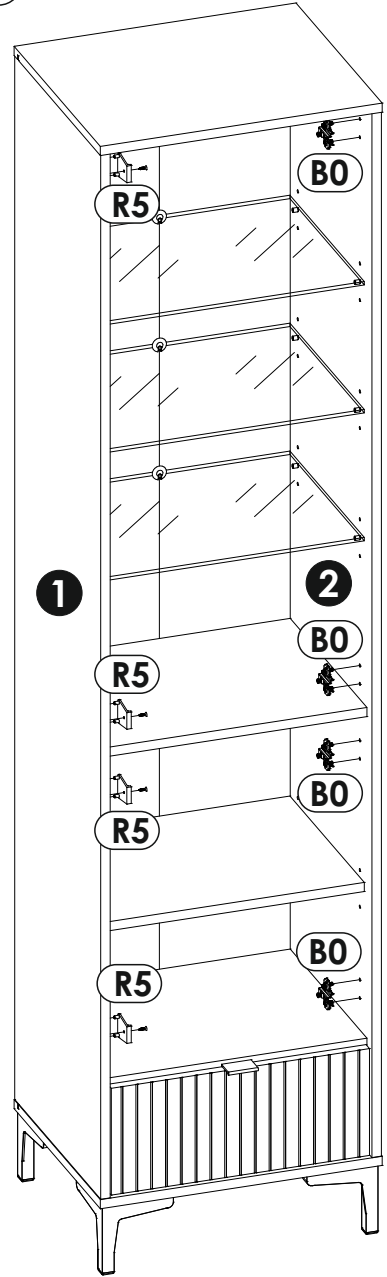
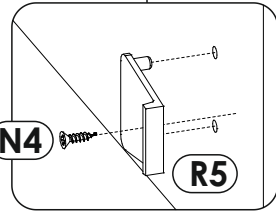
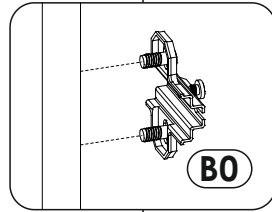
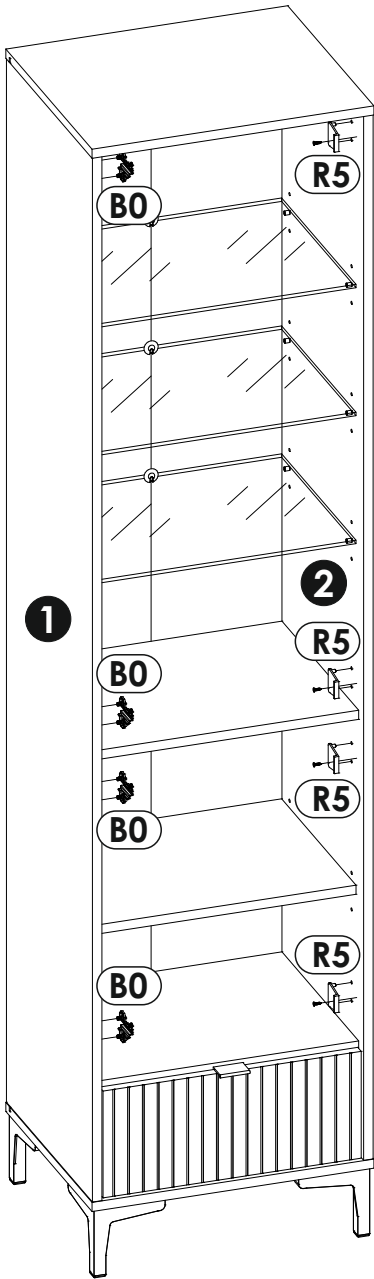


27 ▶

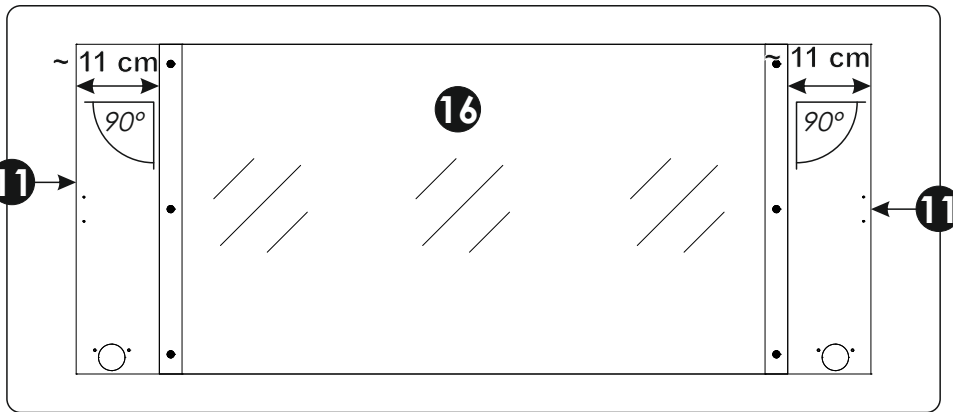
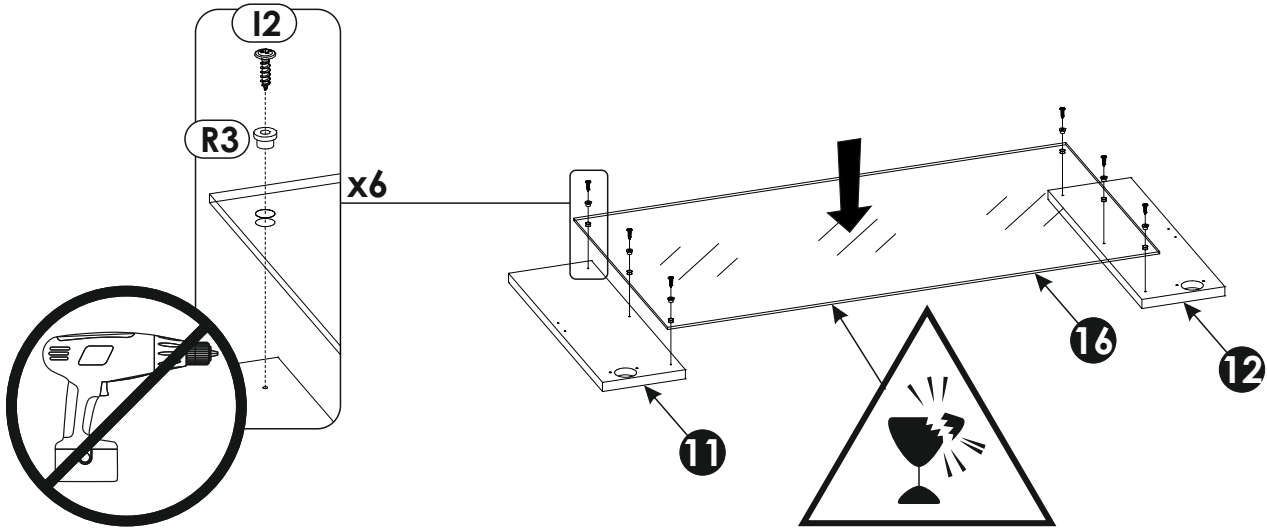
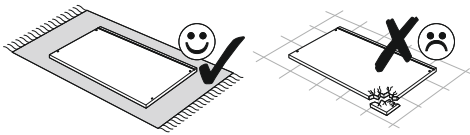
L



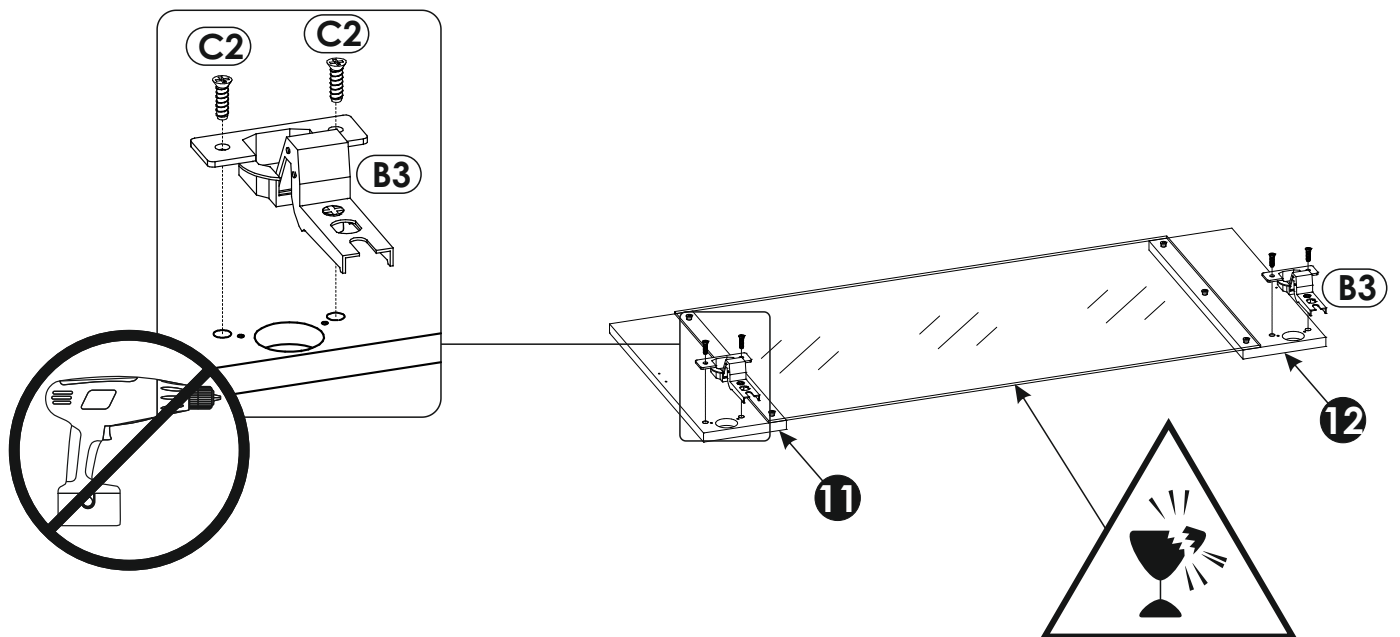
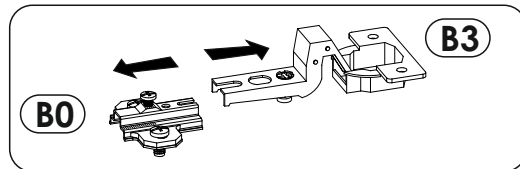
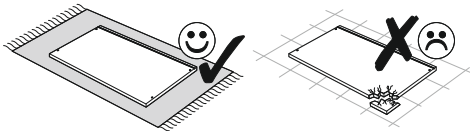
R



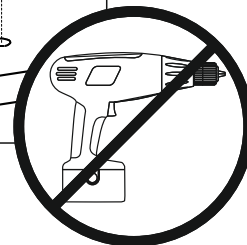
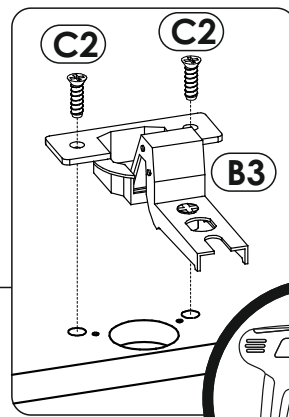
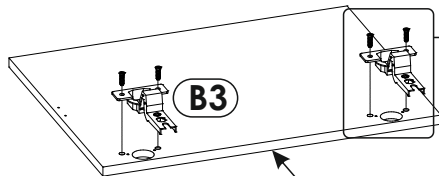
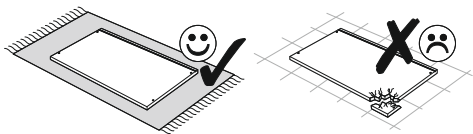
28 ▶



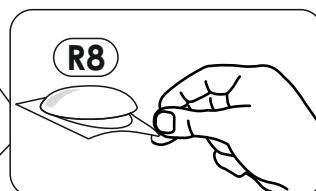
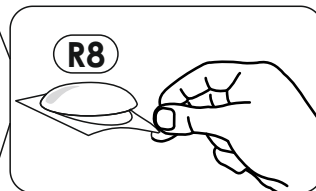
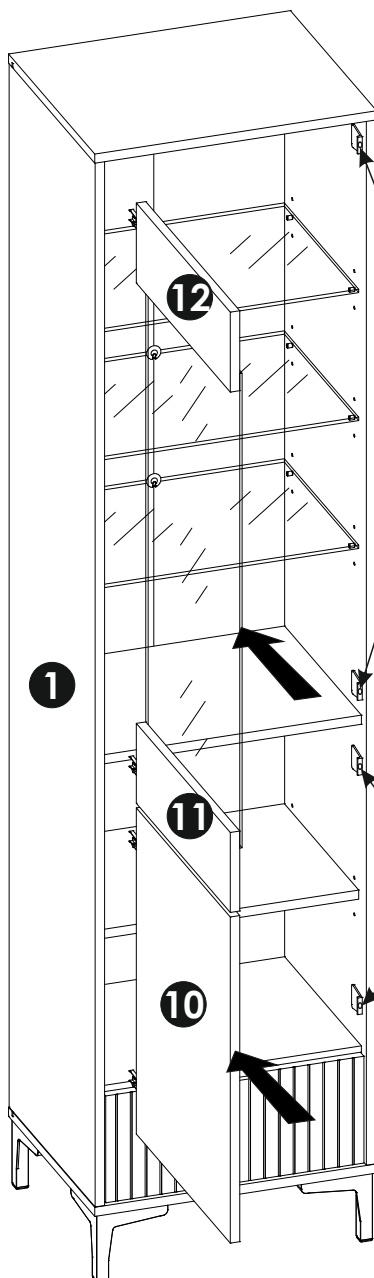
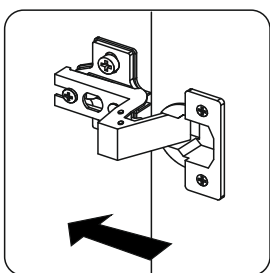
29 ▶



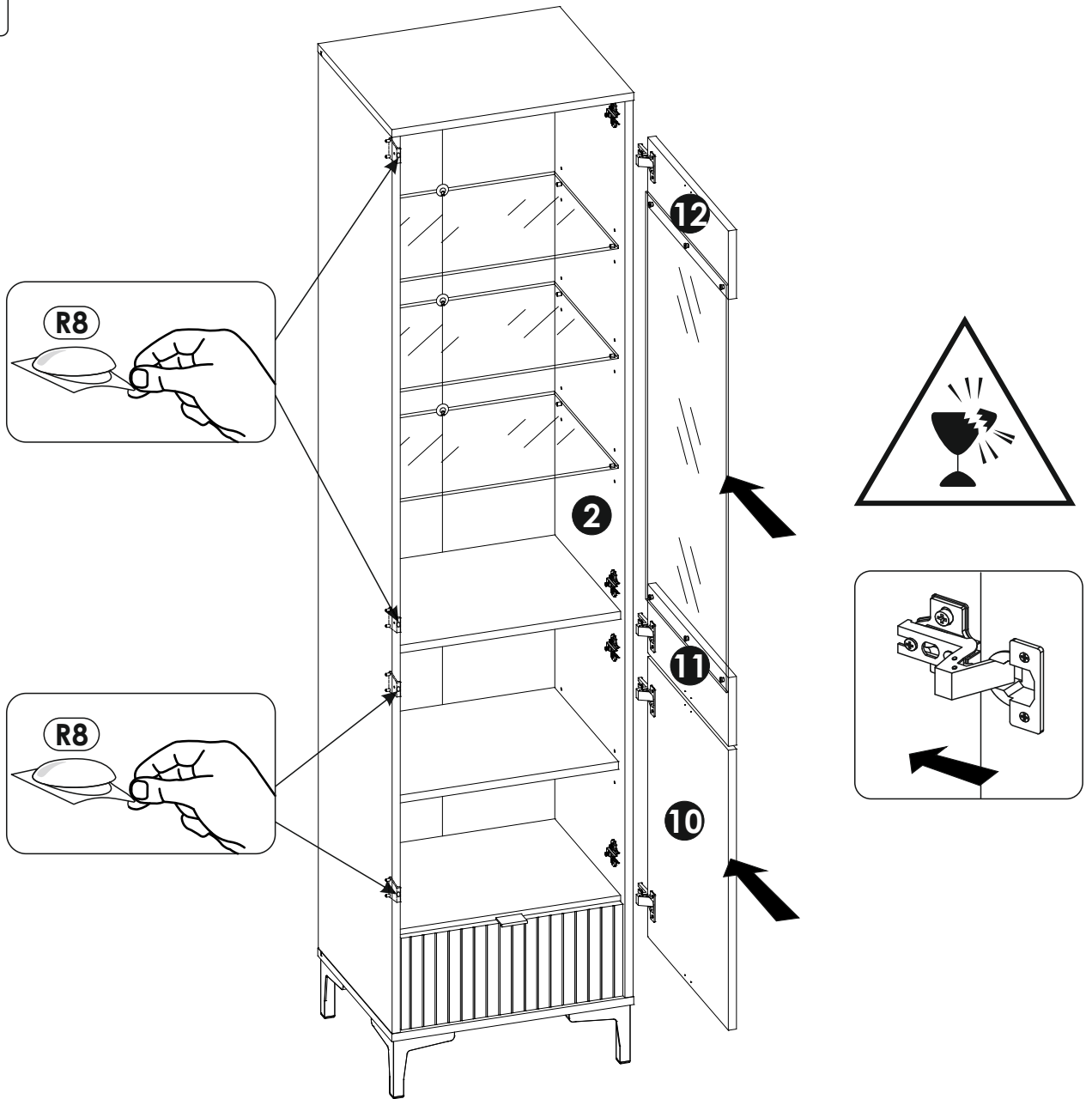
30 ▶



31 ▶

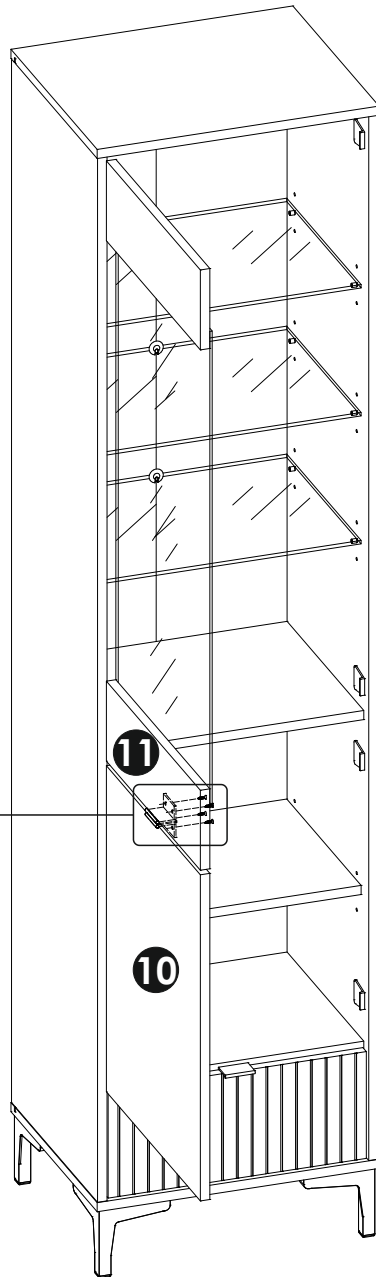
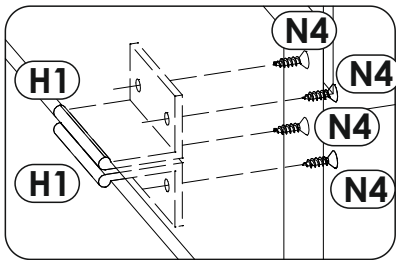


R

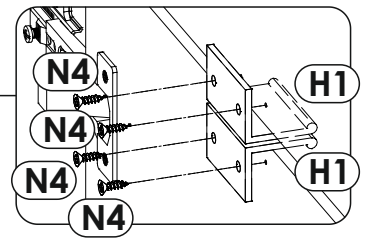
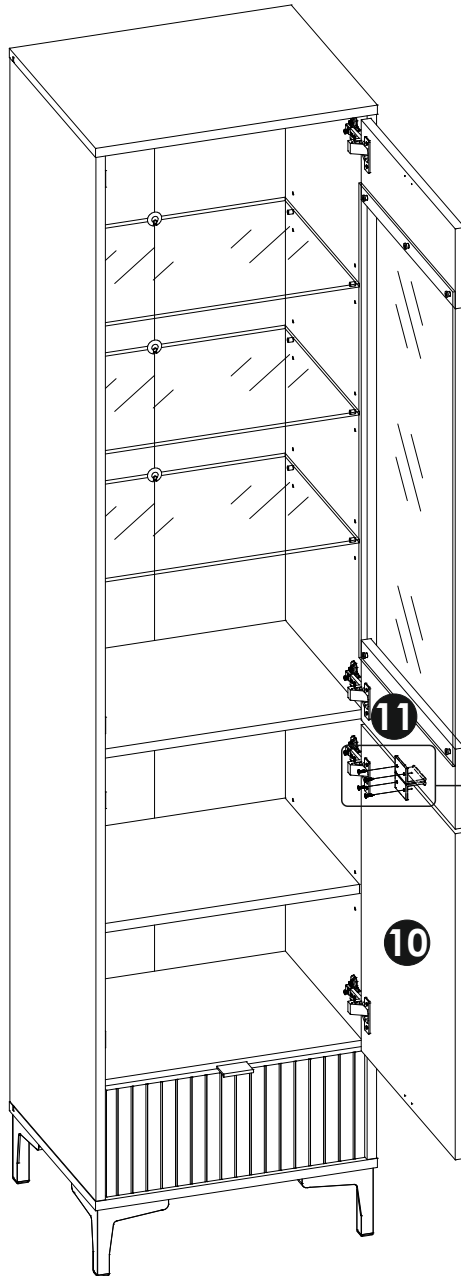


33 ▶

L

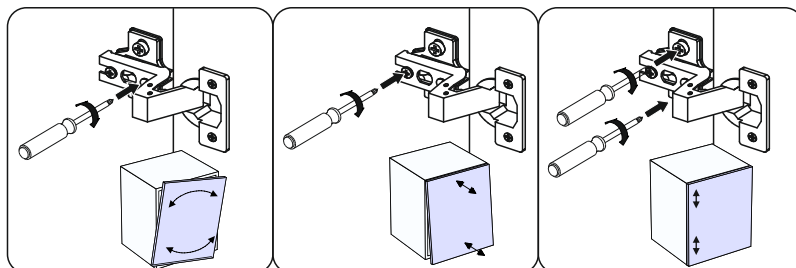
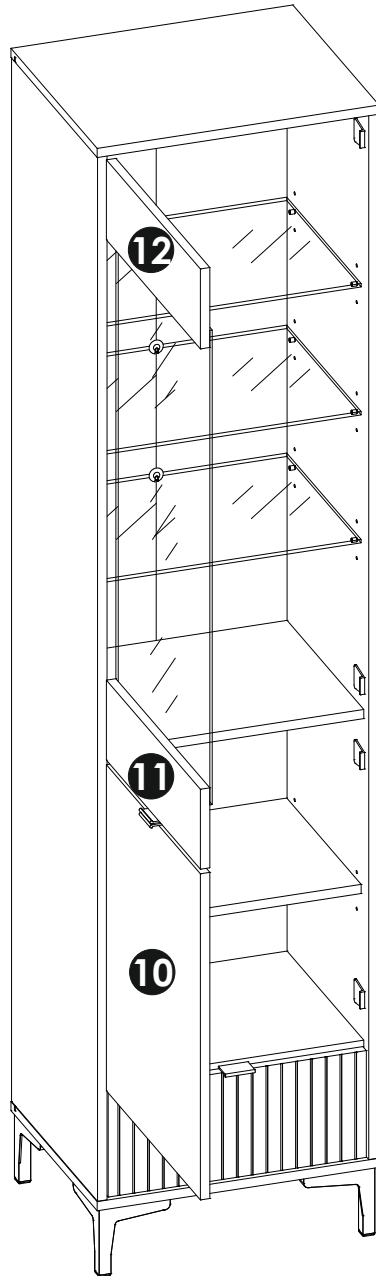


R

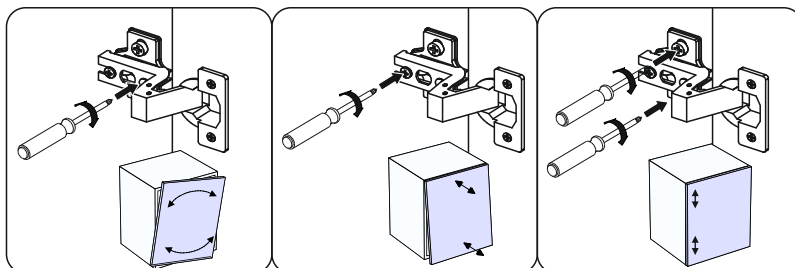
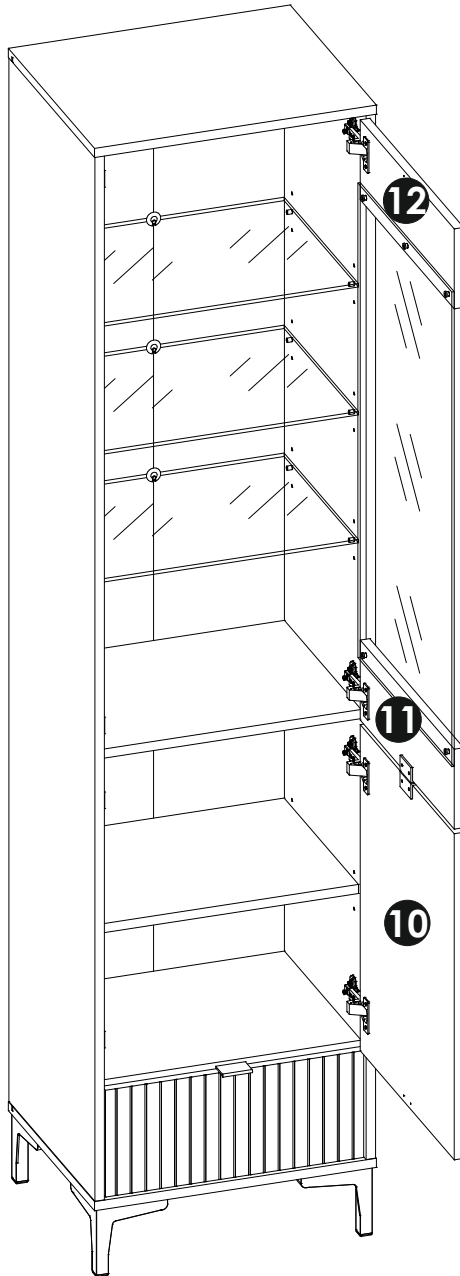


35▶

L



R



37▶

