
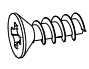
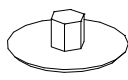

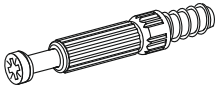

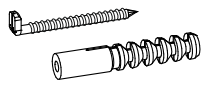
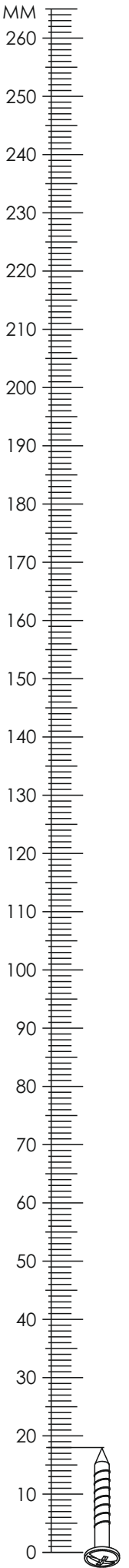
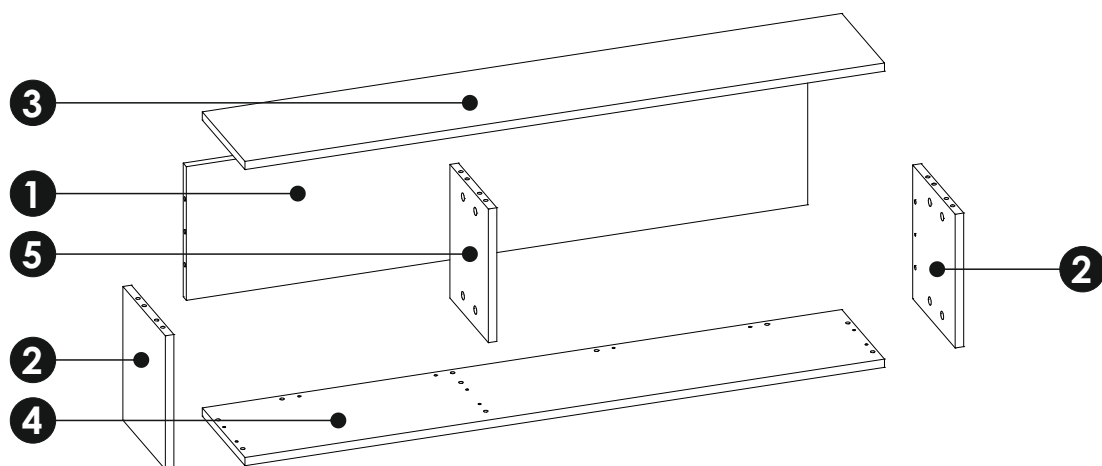
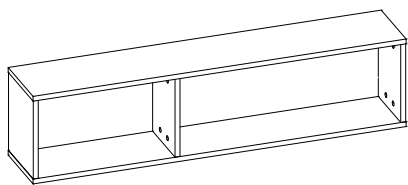
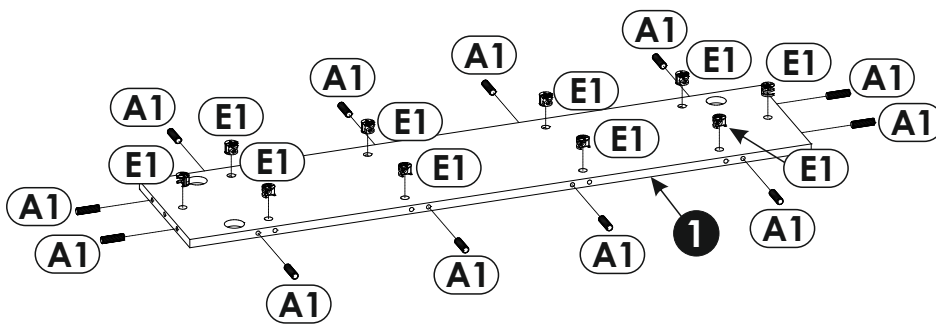
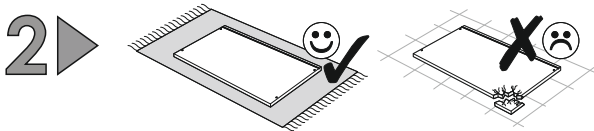
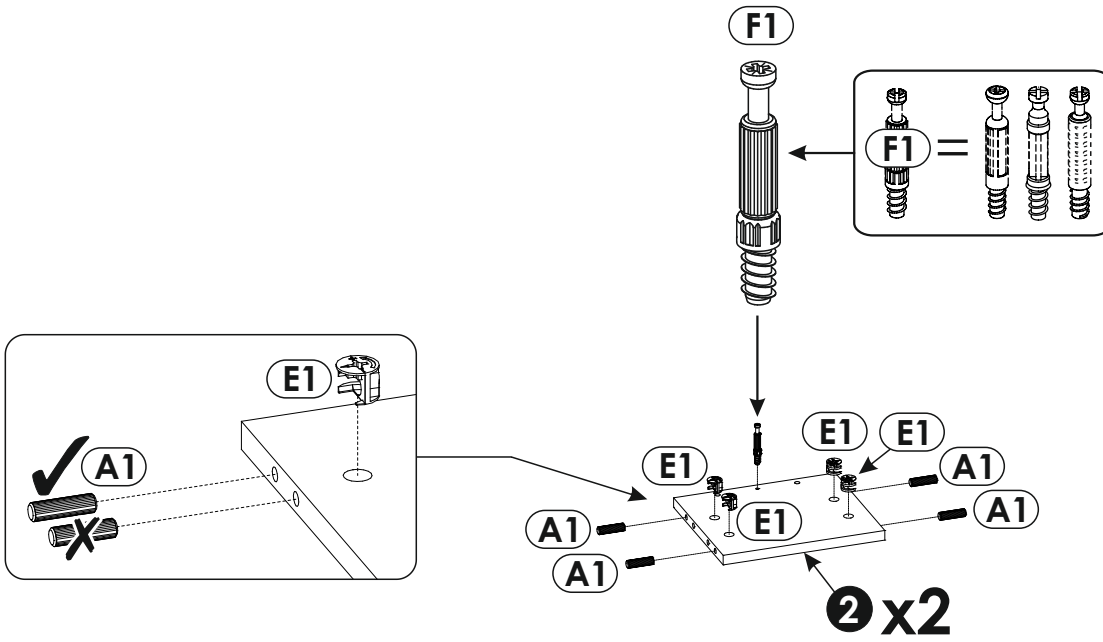
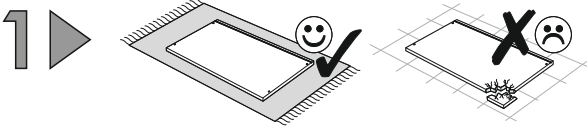
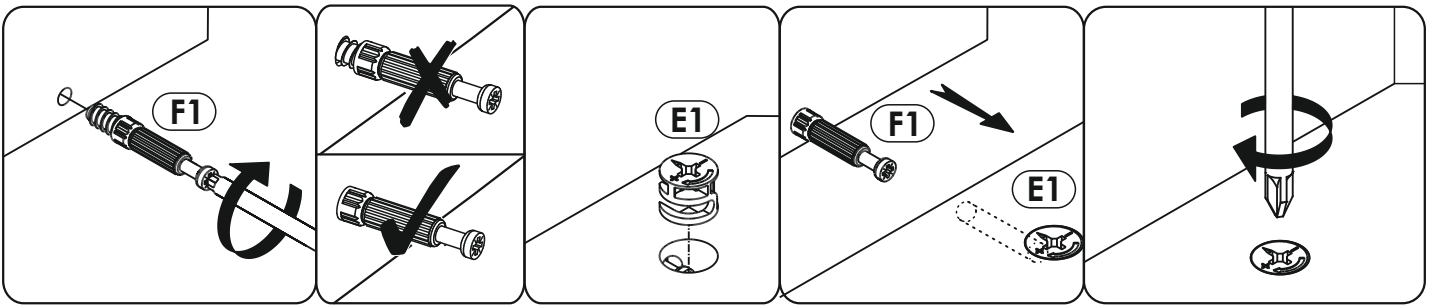


| | | |
|---|--|--|
| A1 8 x 35 mm x24  | C2 5 x 13 mm x4  | E0 Ø16 x12  |
| E1 15 x 12 mm x22  | F1 6 x 34 mm x22  | P1 x2  |
| Y2 x2  Ø10 | | |

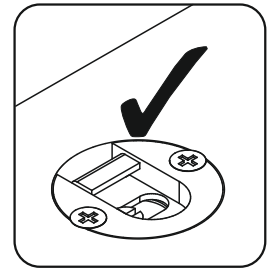
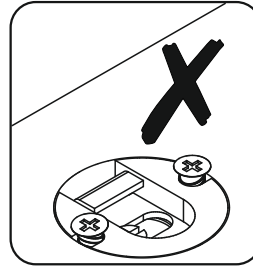
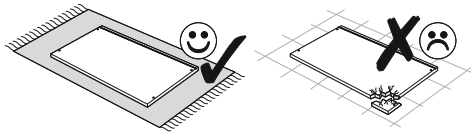




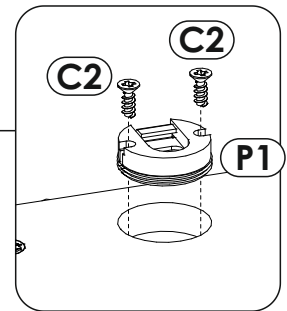
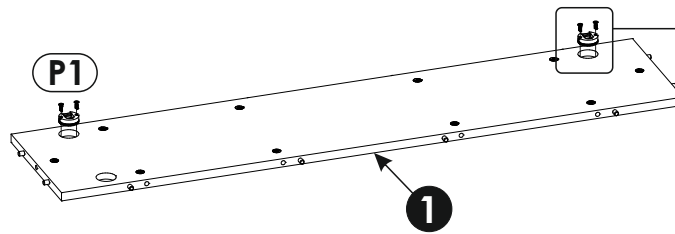
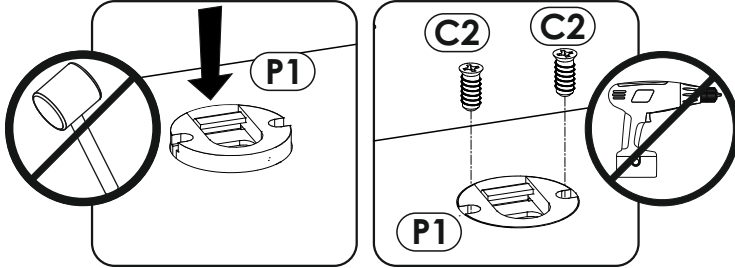
| | | | | | |
|----------|------|-----|----|----|-----|
| 1 | 1166 | 260 | 16 | x1 | 1/1 |
| 2 | 260 | 219 | 16 | x2 | 1/1 |
| 3 | 1200 | 220 | 16 | x1 | 1/1 |
| 4 | 1200 | 220 | 16 | x1 | 1/1 |
| 5 | 260 | 198 | 16 | x1 | 1/1 |



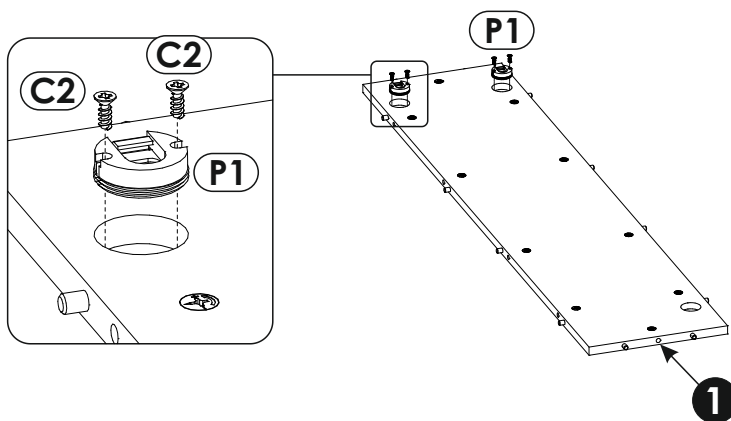
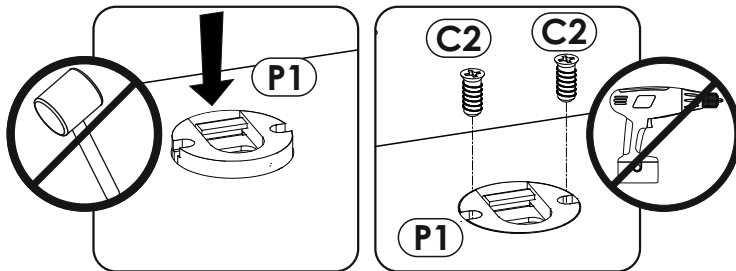
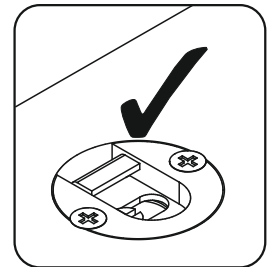
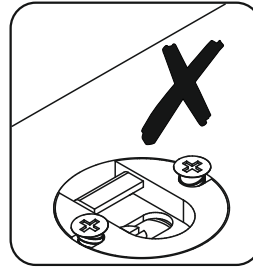
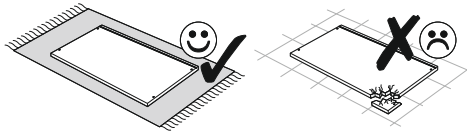
3 ▶

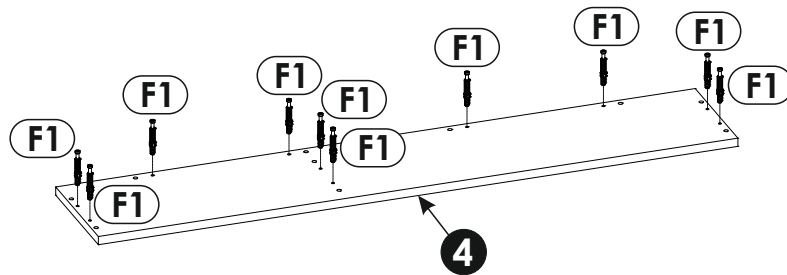
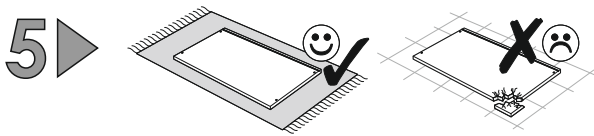
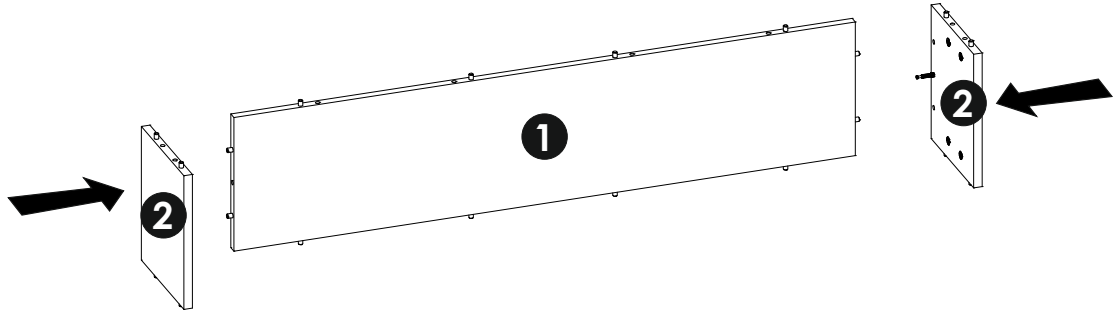
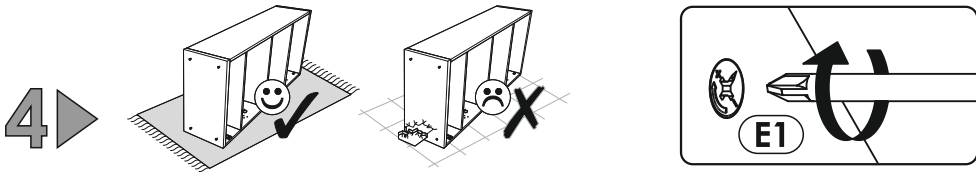


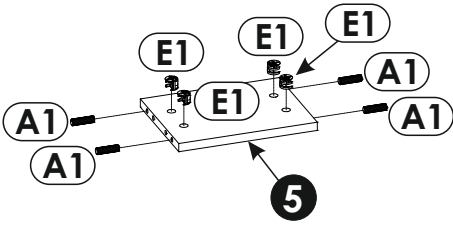
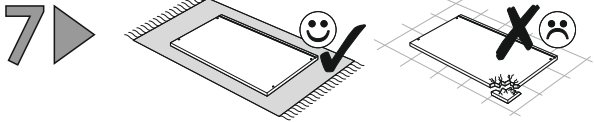
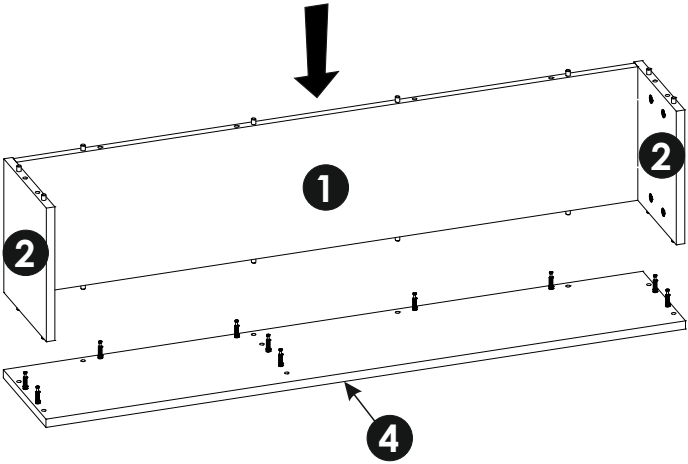
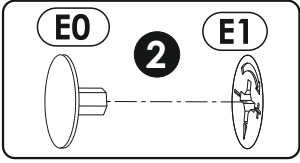
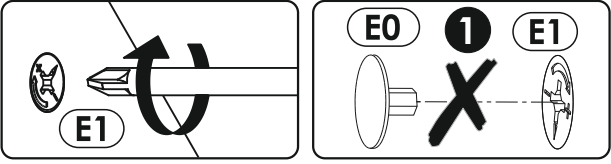
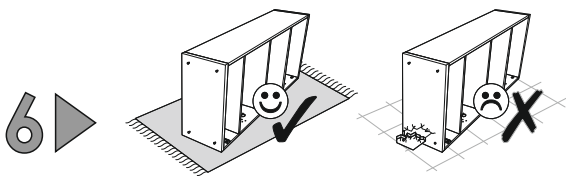
A

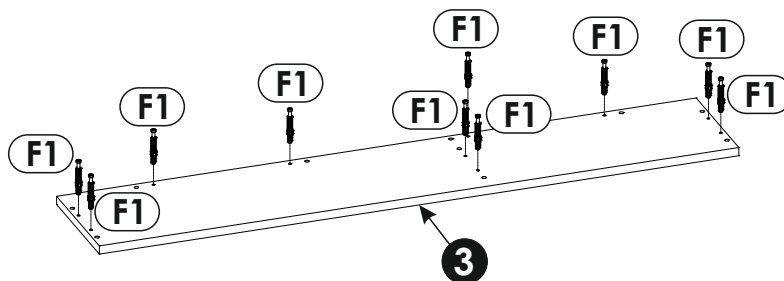
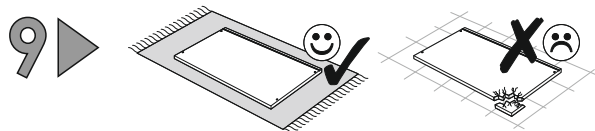
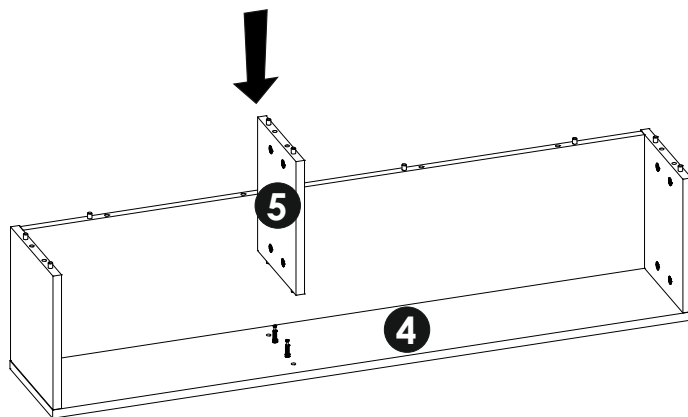
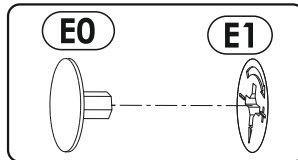
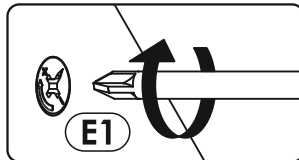
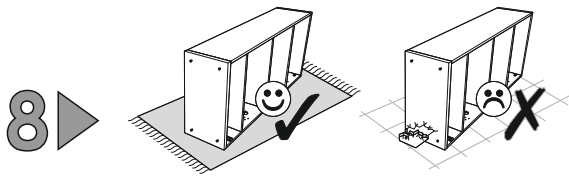


B

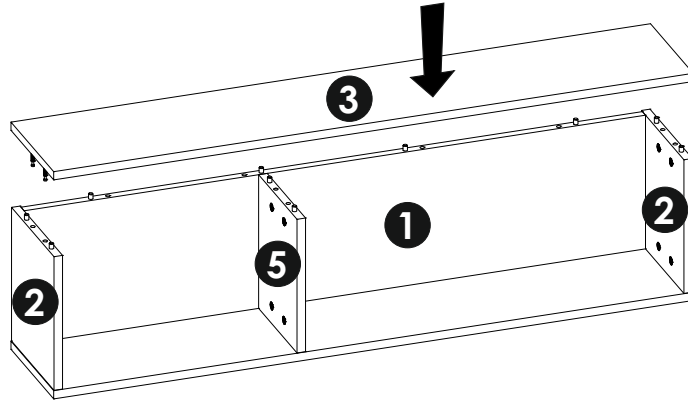
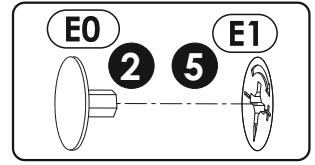
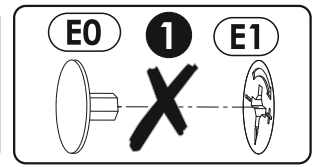
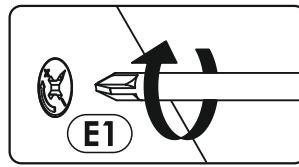
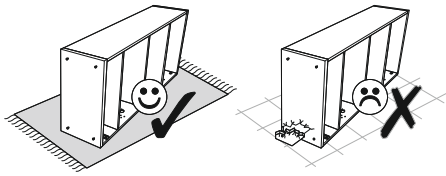




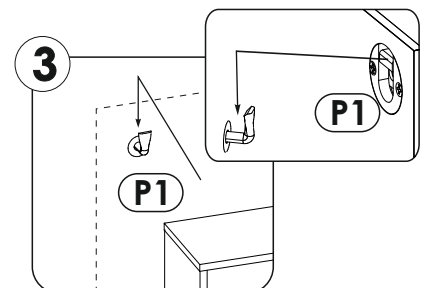
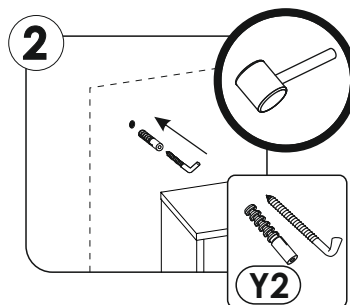
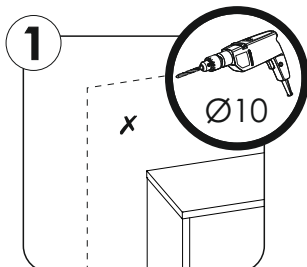
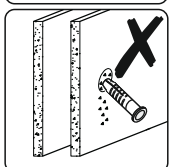
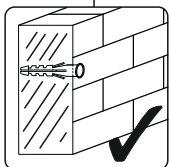
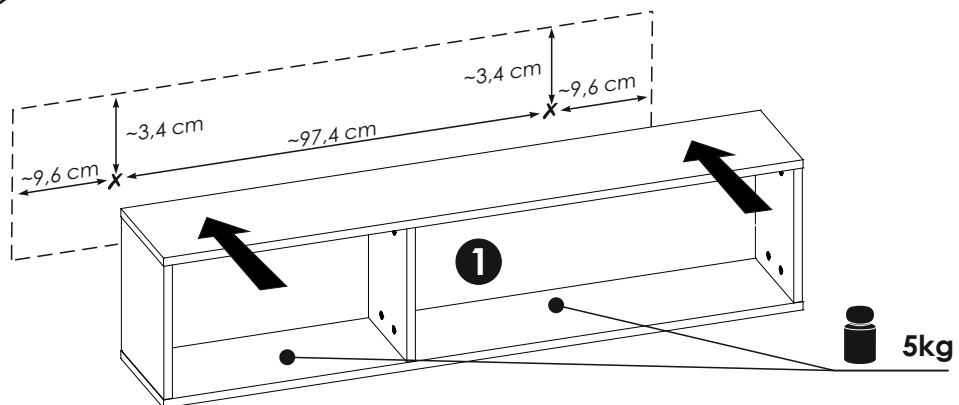
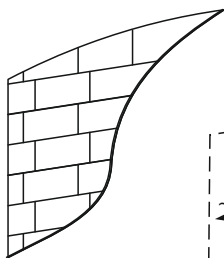
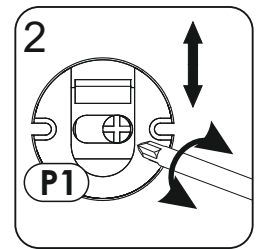
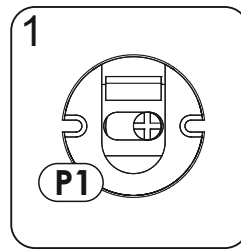
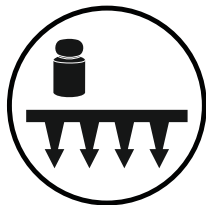


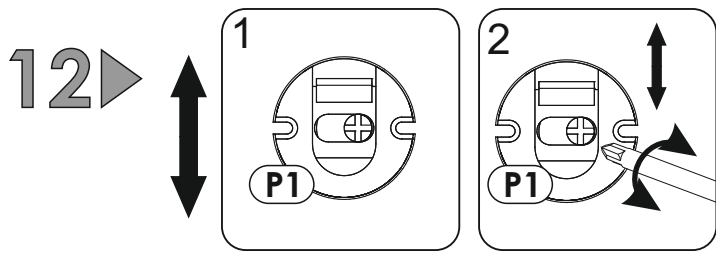


10 ▶

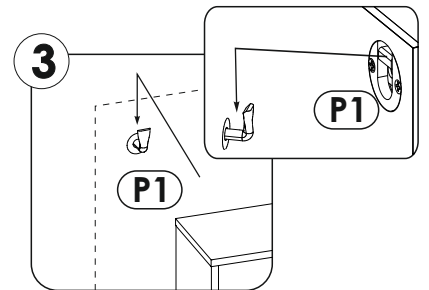
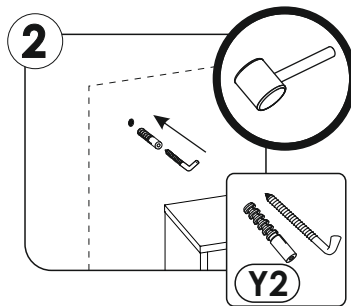
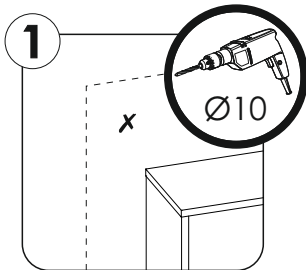
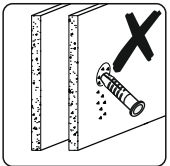
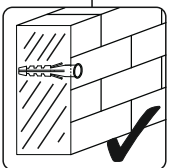
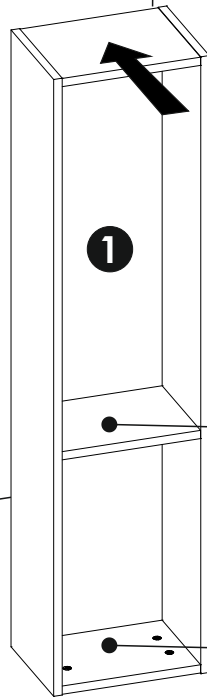
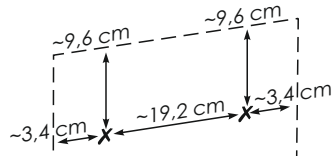
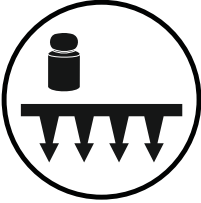


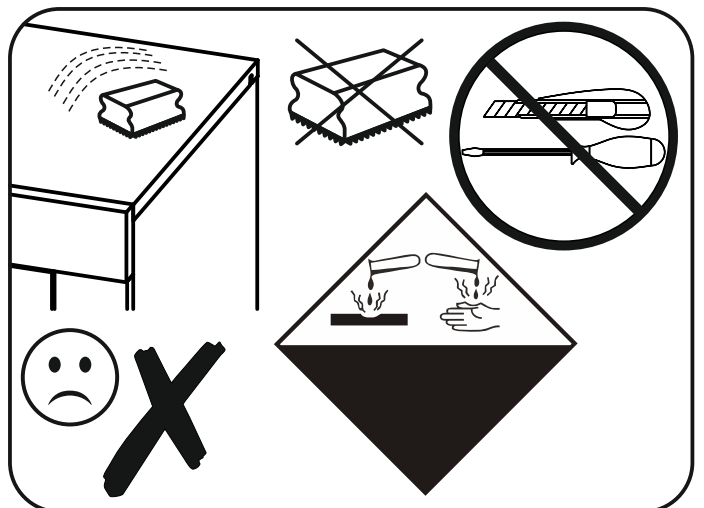
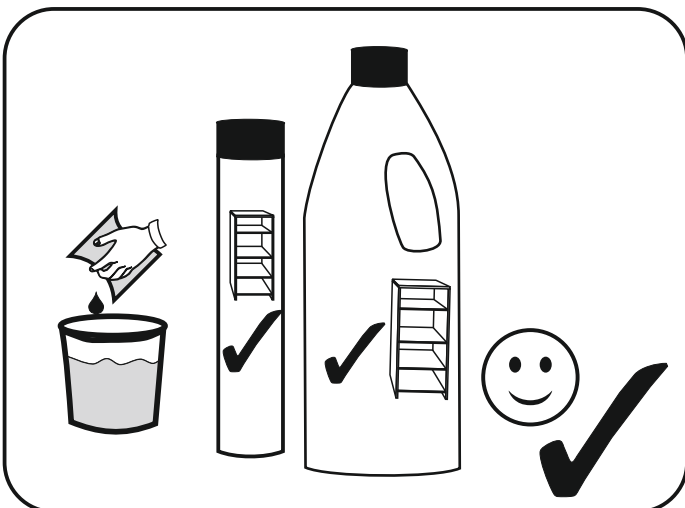
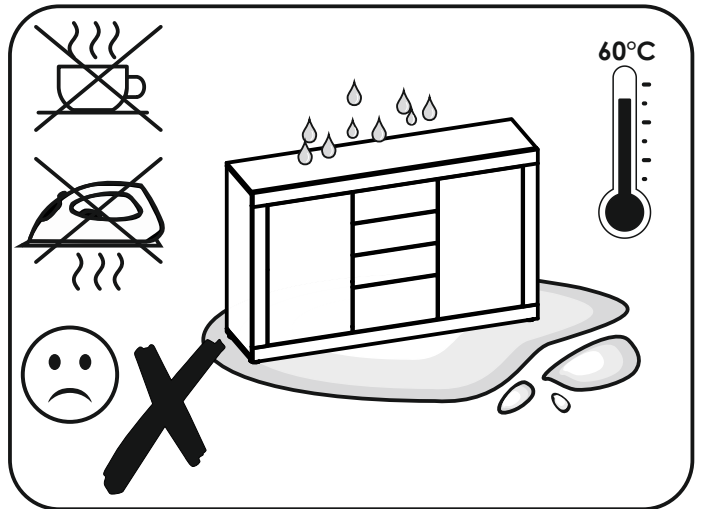
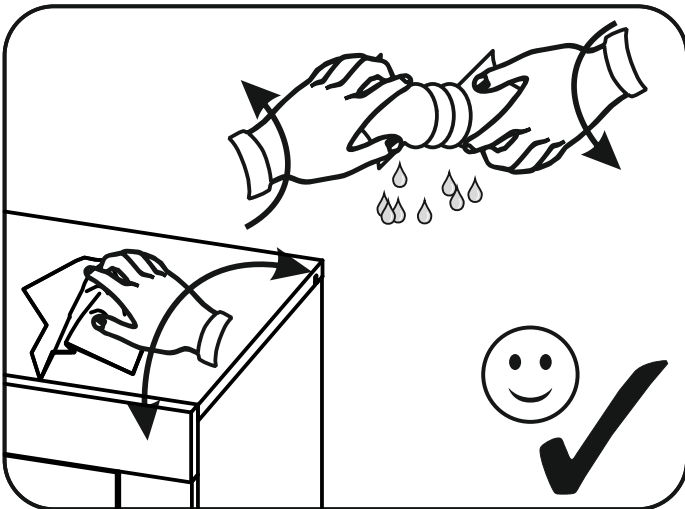
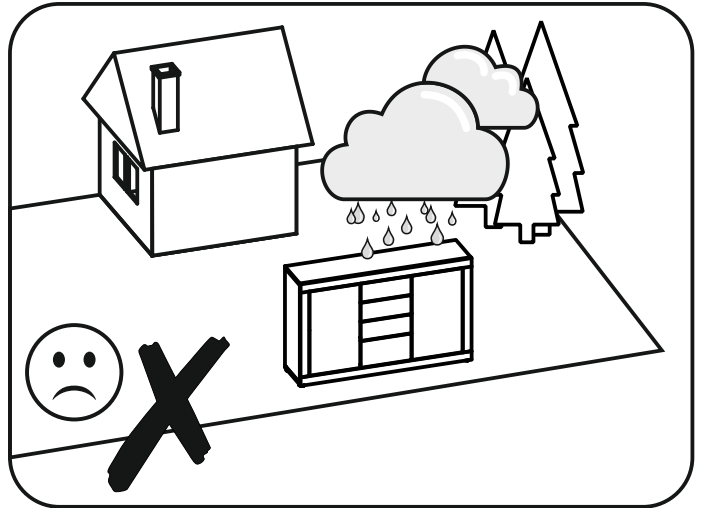
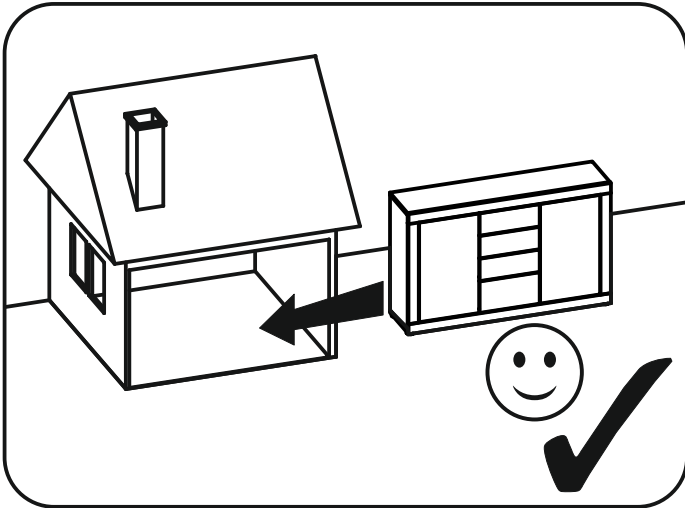
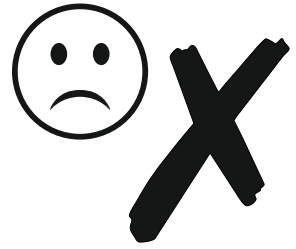
11 ▶

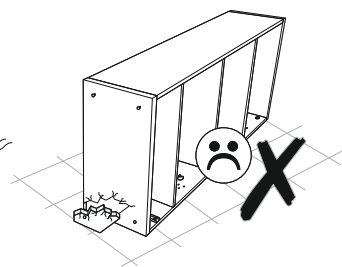
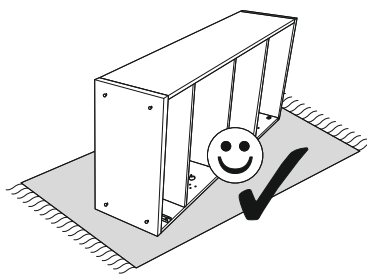
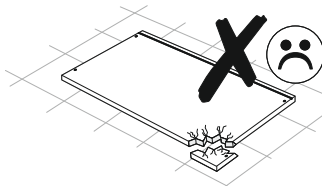
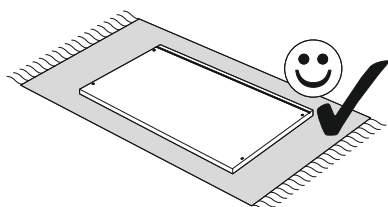
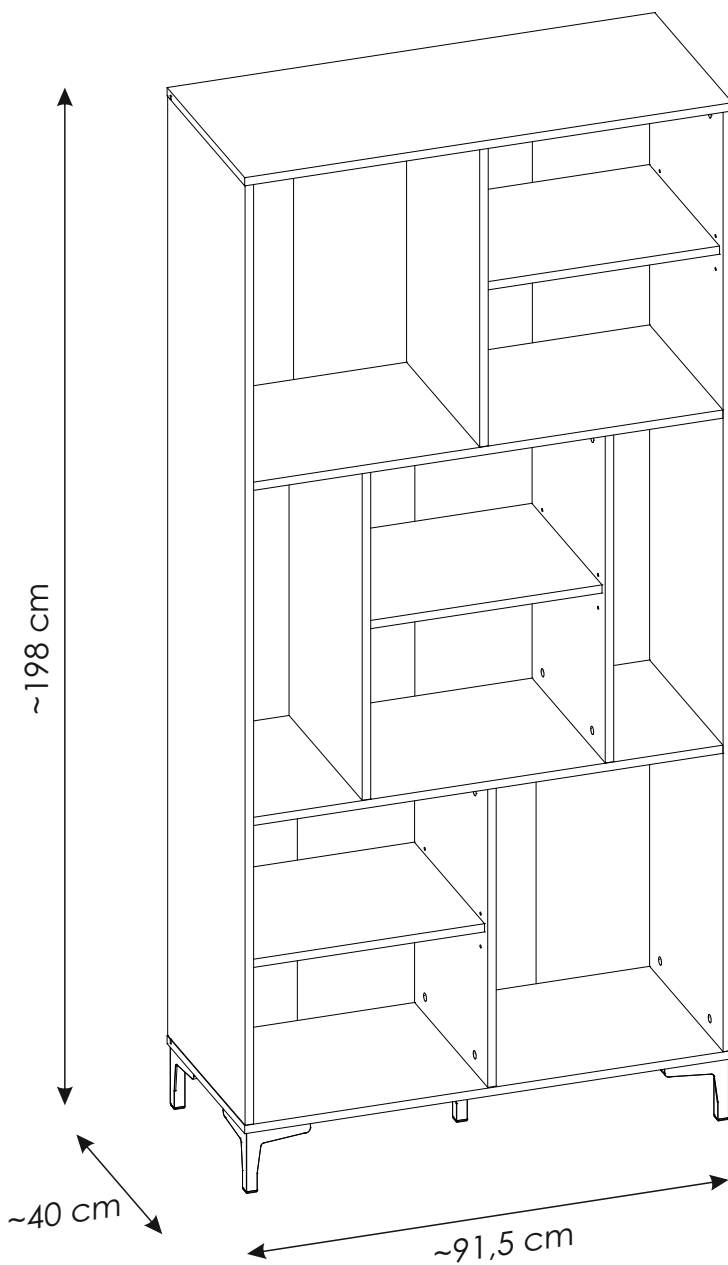
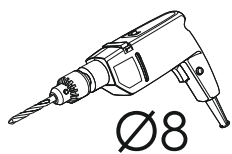
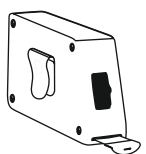
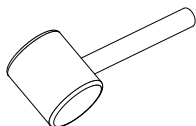
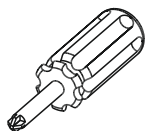
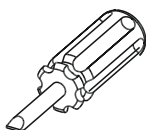
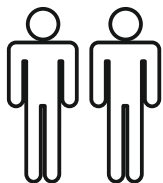


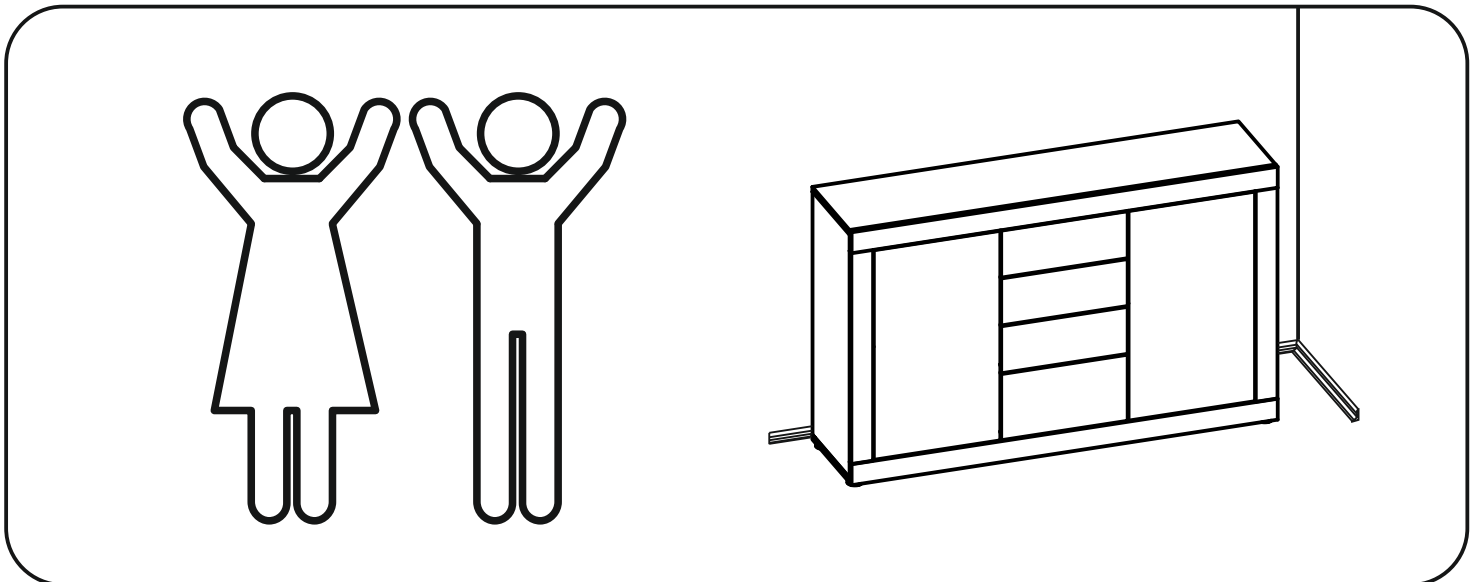
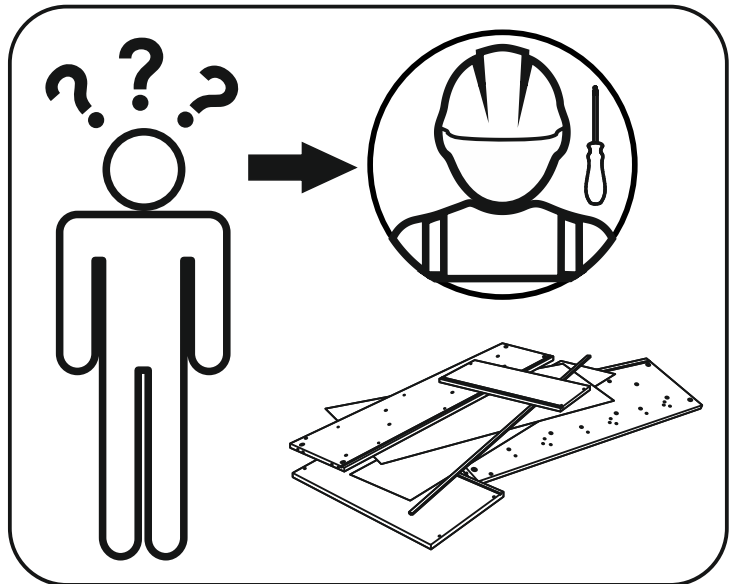
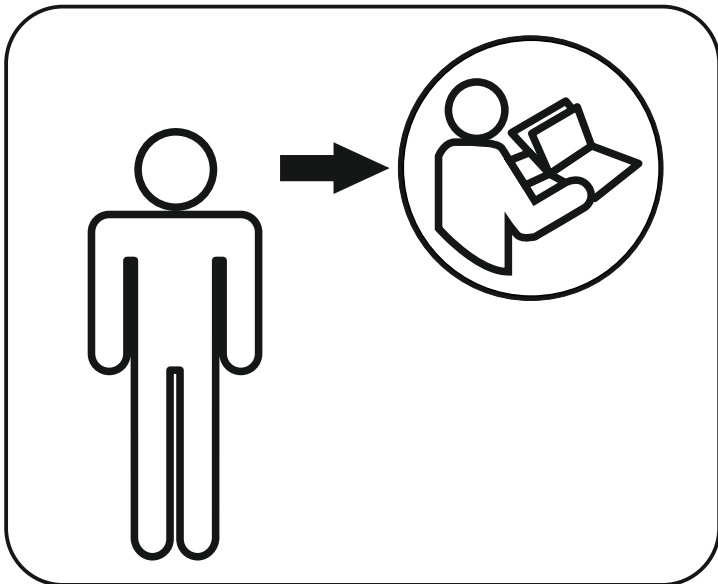
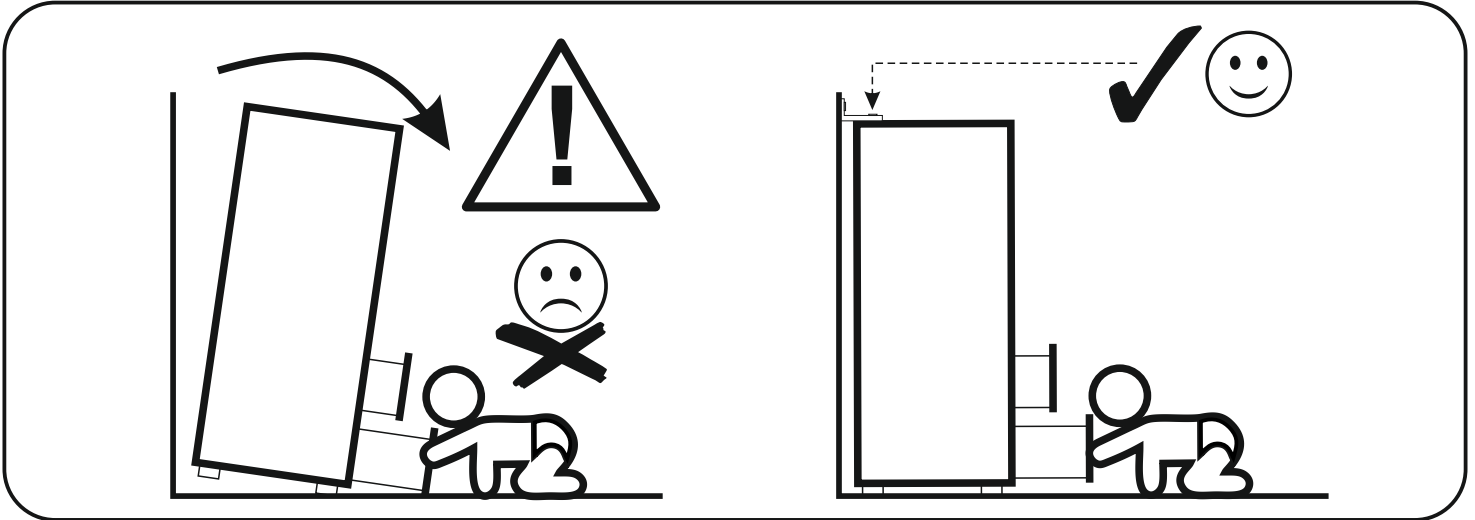
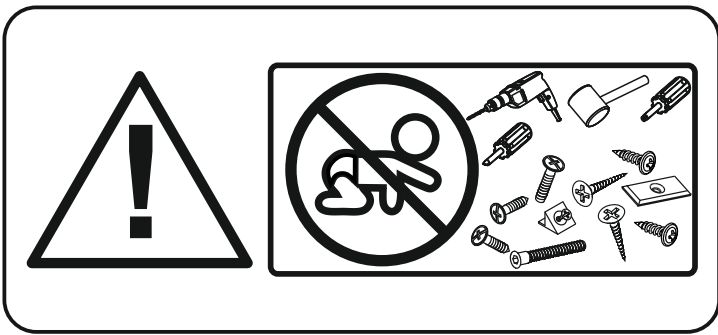






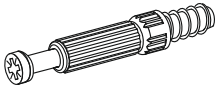
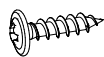
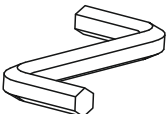
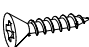

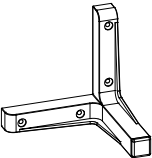
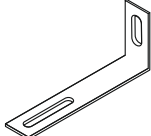
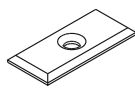
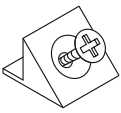
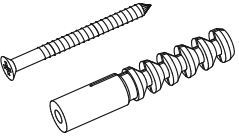
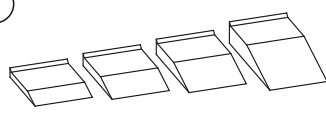
B

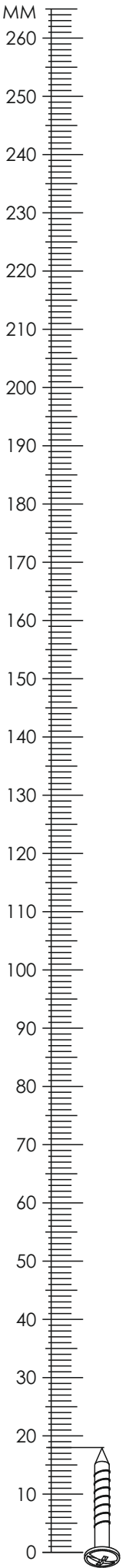
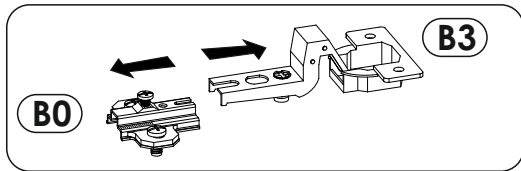


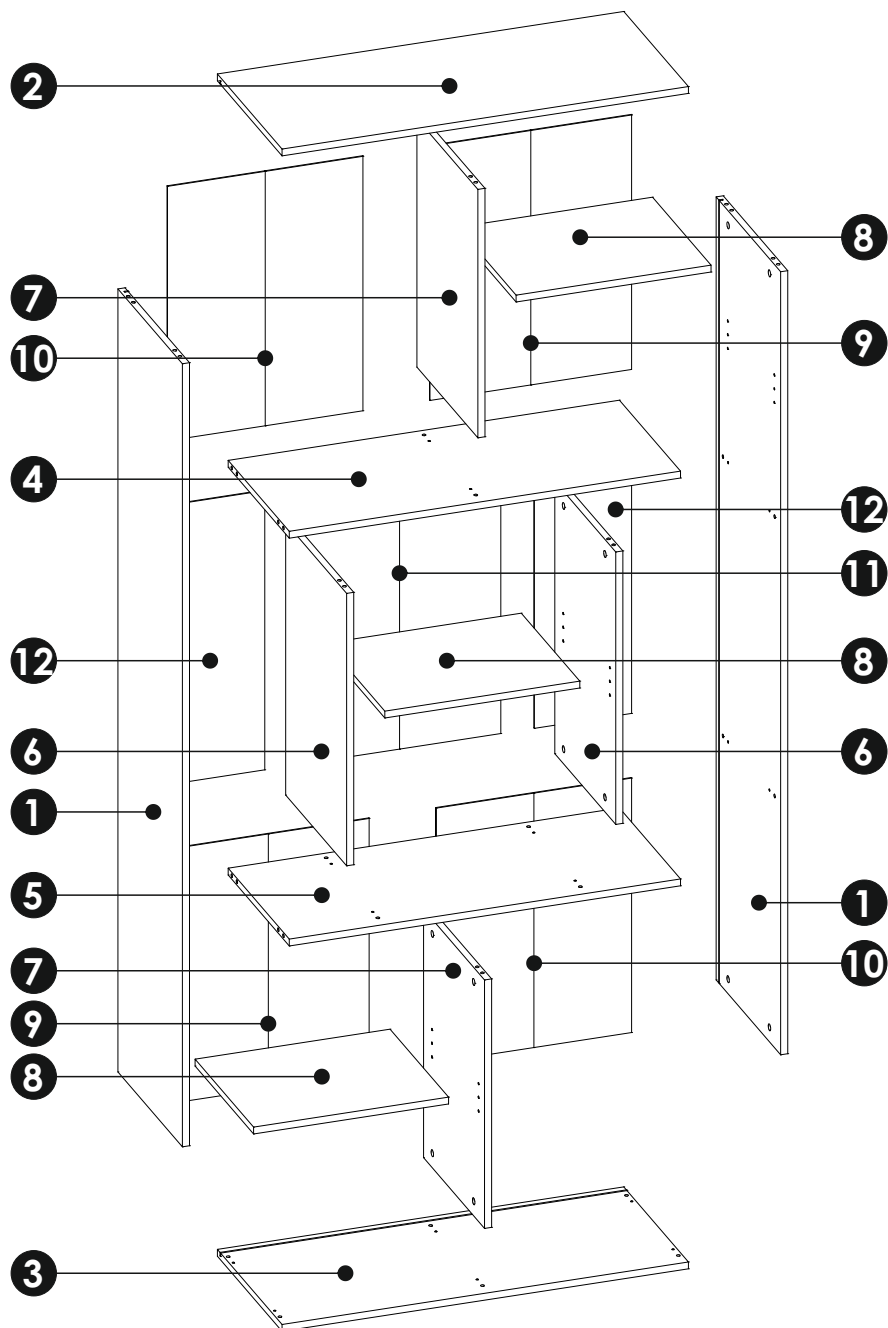
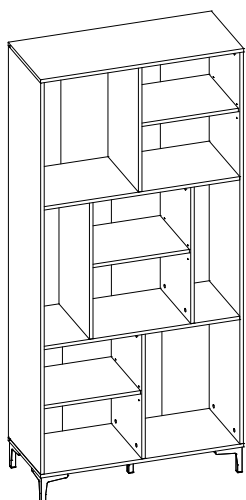






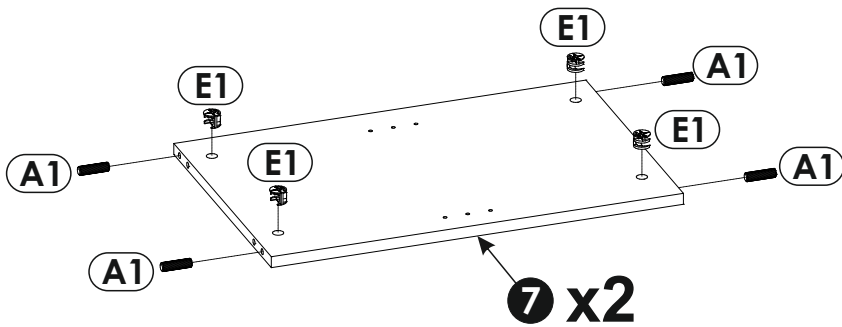
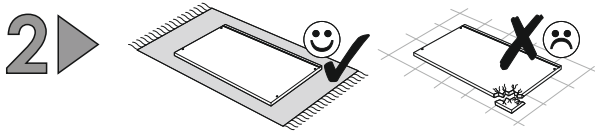
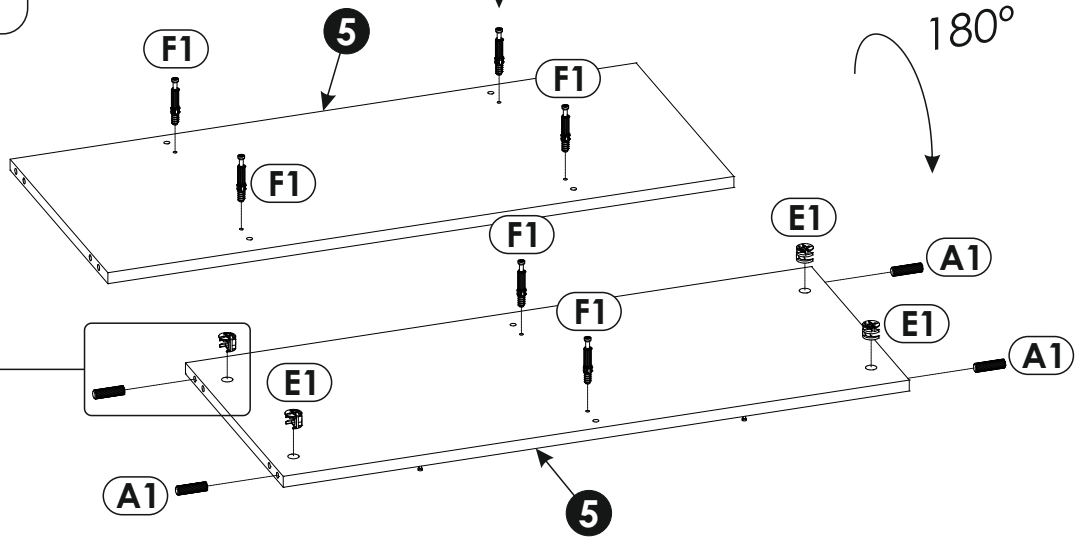
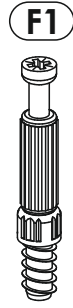
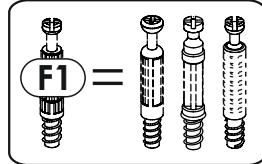
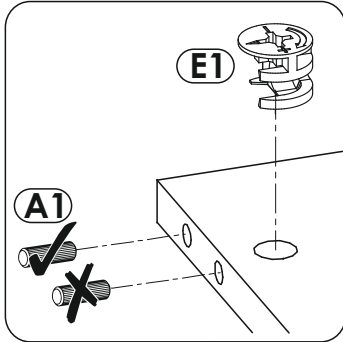
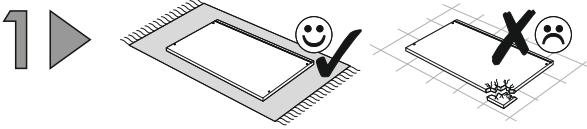
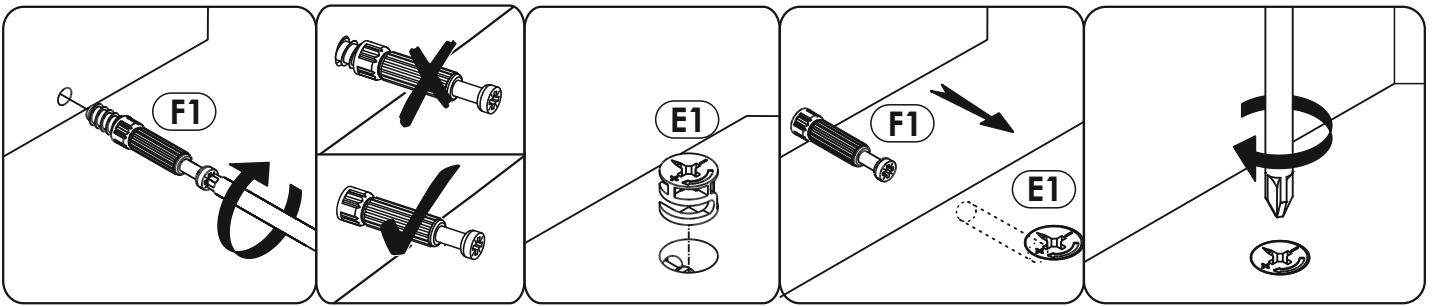
| | | | | | | | | |
|------------|--|-----|------------|--|-----|-----------|--|-----|
| A1 | 8 x 35 mm | x32 | D6 | | x12 | E0 | Ø16 | x32 |
| |  | | |  | | |  | |
| E1 | 15 x 12 mm | x32 | F1 | 6 x 34 mm | x32 | I2 | 4 x 16 mm | x2 |
| |  | | |  | | |  | |
| M | | x1 | N1 | 3 x 16 mm | x30 | N7 | 3,5 x 30 mm | x20 |
| |  | | |  | | |  | |
| O12 | | x5 | Q9 | | x2 | R1 | | x28 |
| |  | | |  | | |  | |
| R4 | | x12 | S13 | | x2 | Z | | x1 |
| |  | | |  | | |  | |

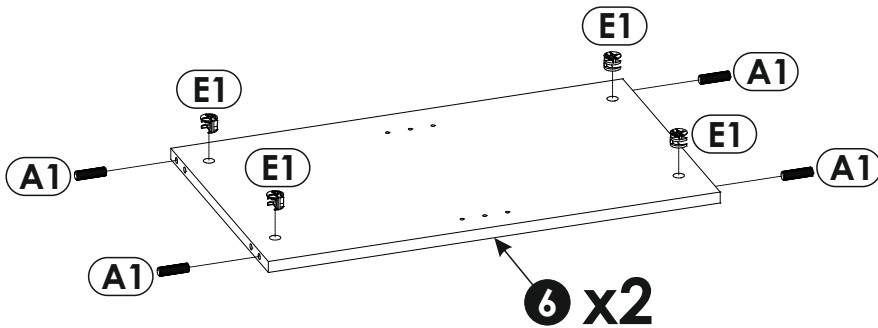
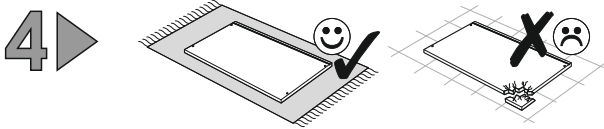
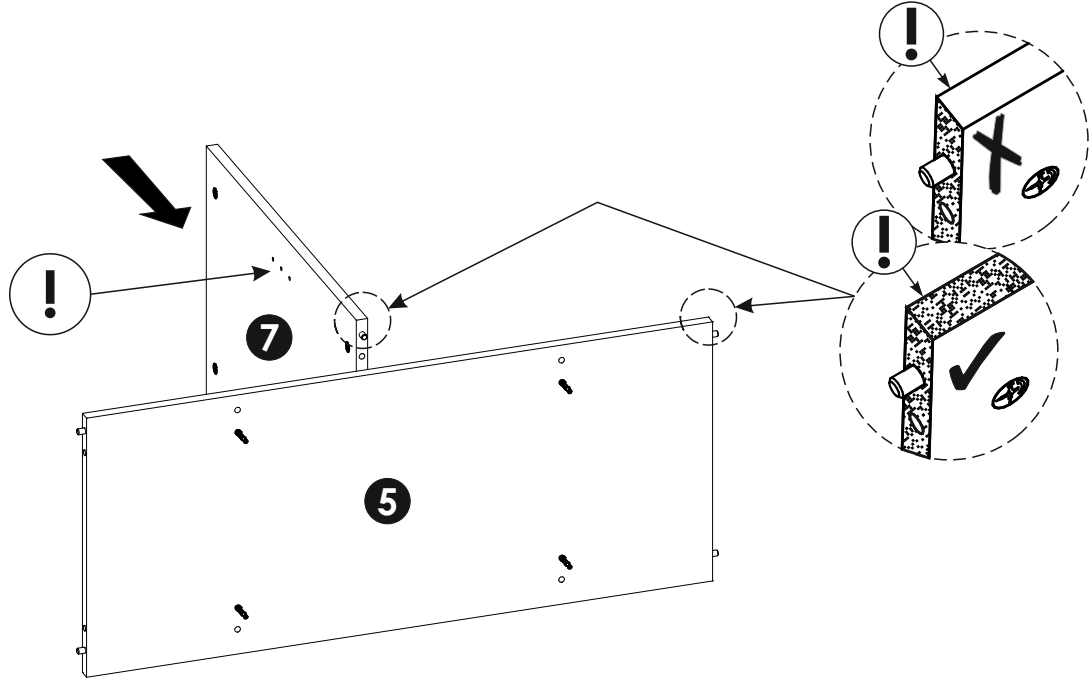
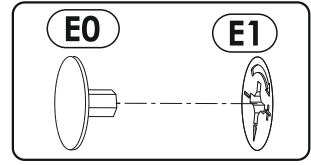
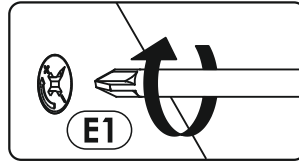
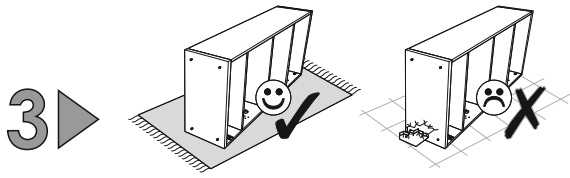


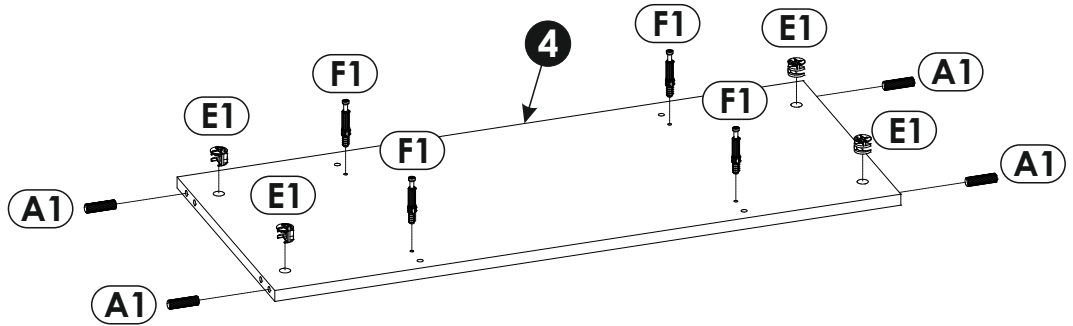
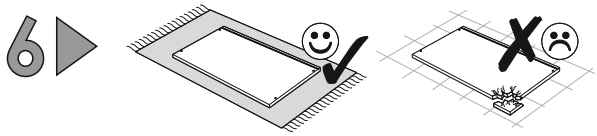
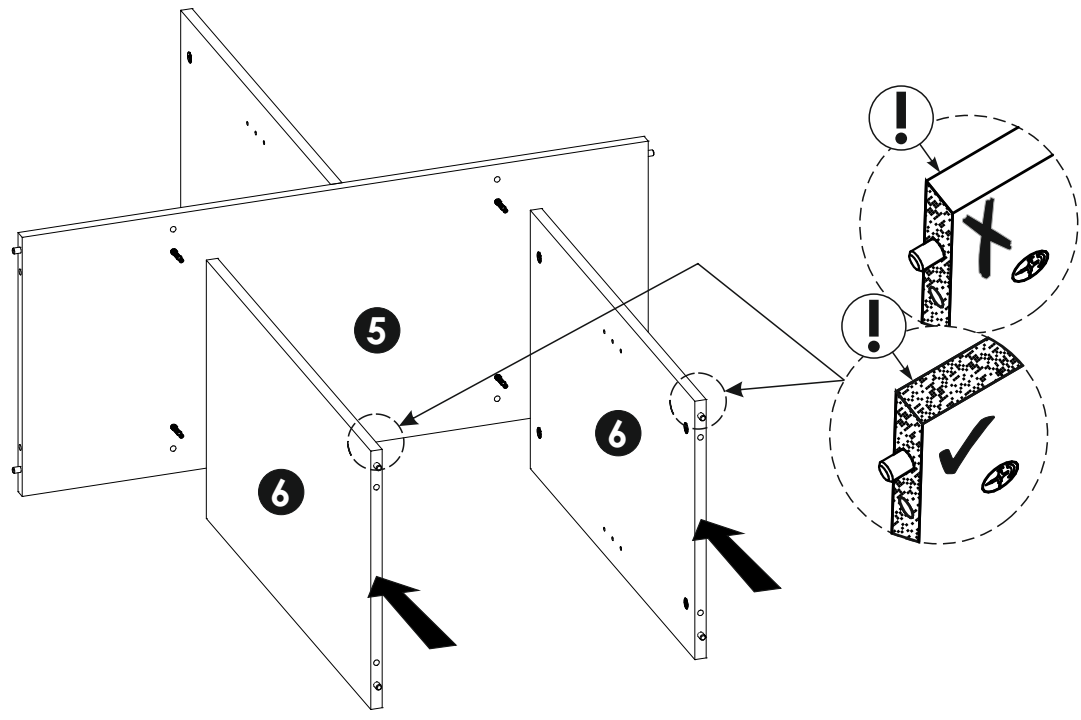
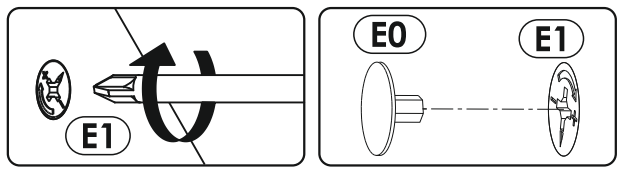
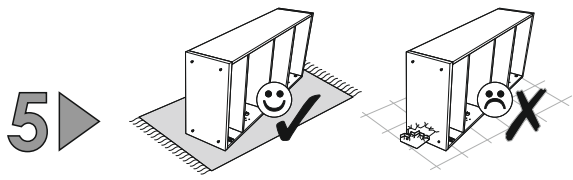


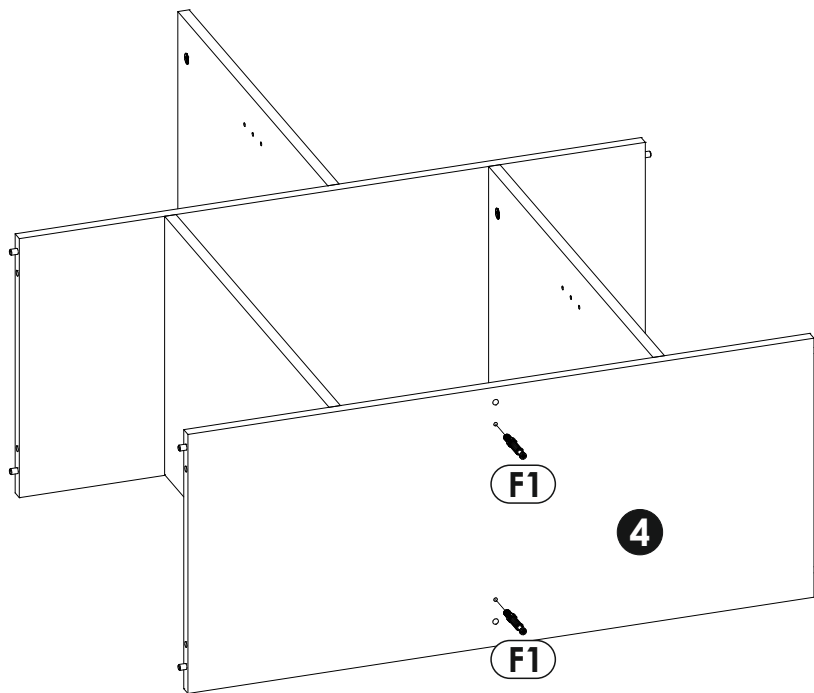
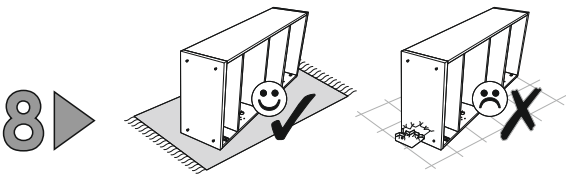
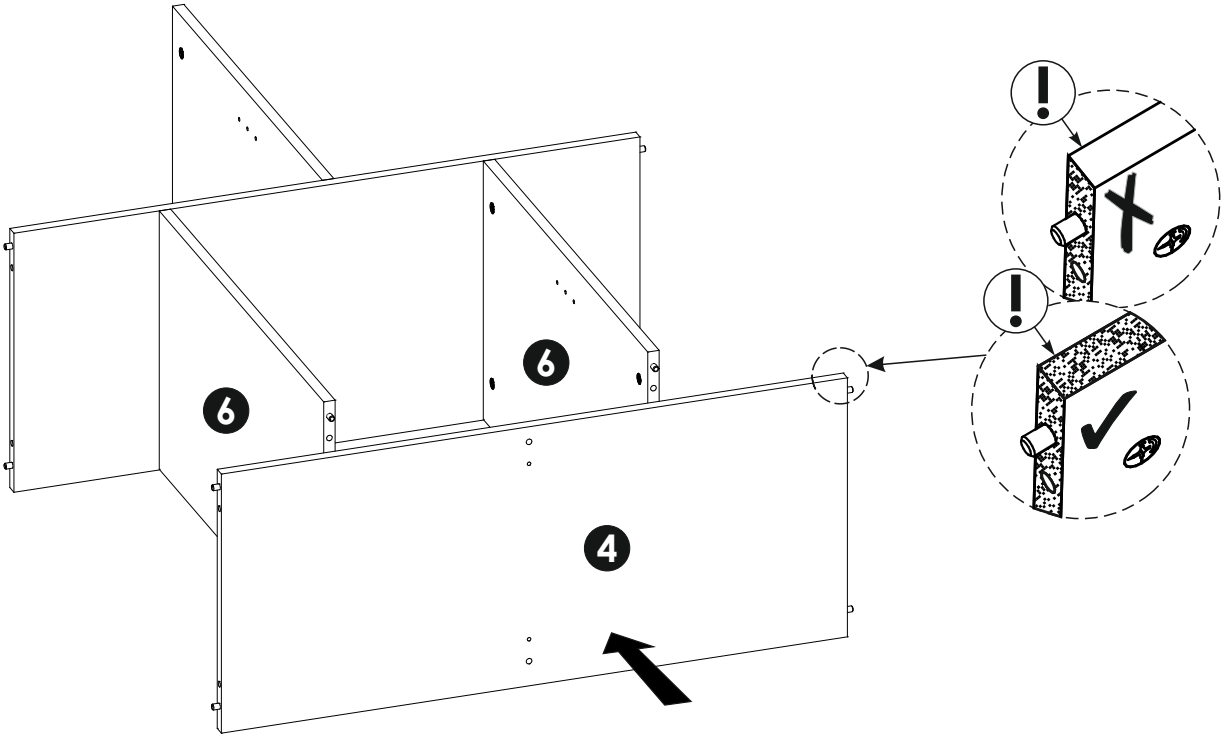
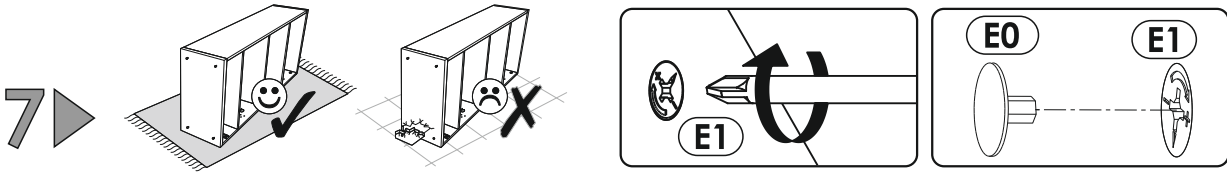
| | | | | | |
|----------|------|-----|----|----|-----|
| 1 | 1828 | 399 | 16 | x2 | 2/2 |
| 2 | 915 | 400 | 16 | x1 | 1/2 |
| 3 | 915 | 400 | 16 | x1 | 1/2 |
| 4 | 881 | 378 | 16 | x1 | 2/2 |
| 5 | 881 | 378 | 16 | x1 | 2/2 |
| 6 | 636 | 377 | 16 | x2 | 1/2 |

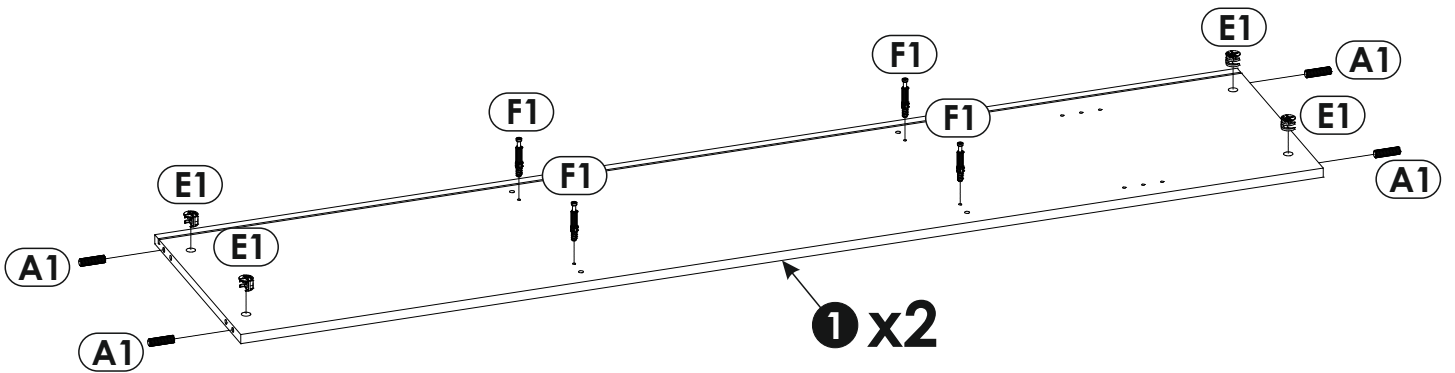
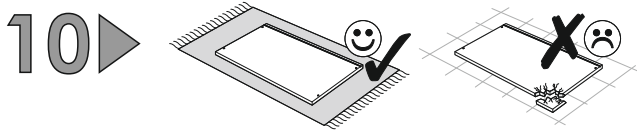
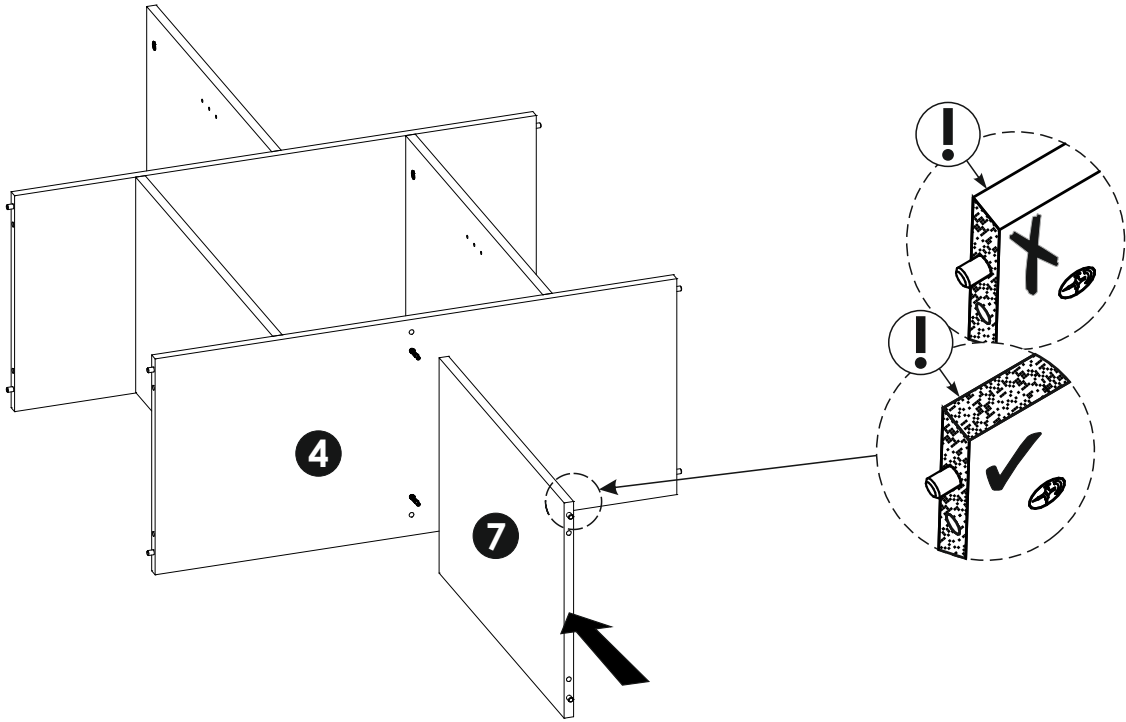
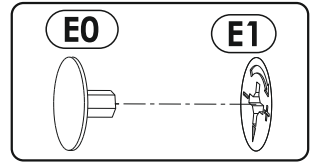
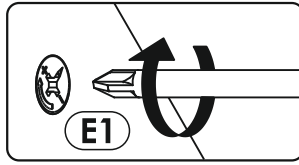
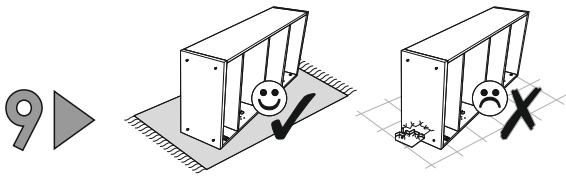
| | | | | | |
|-----------|-----|-----|----|----|-----|
| 7 | 580 | 377 | 16 | x2 | 1/2 |
| 8 | 439 | 362 | 16 | x3 | 2/2 |
| 9 | 594 | 454 | 3 | x2 | 1/2 |
| 10 | 594 | 440 | 3 | x2 | 1/2 |
| 11 | 652 | 456 | 3 | x1 | 1/2 |
| 12 | 652 | 219 | 3 | x2 | 1/2 |



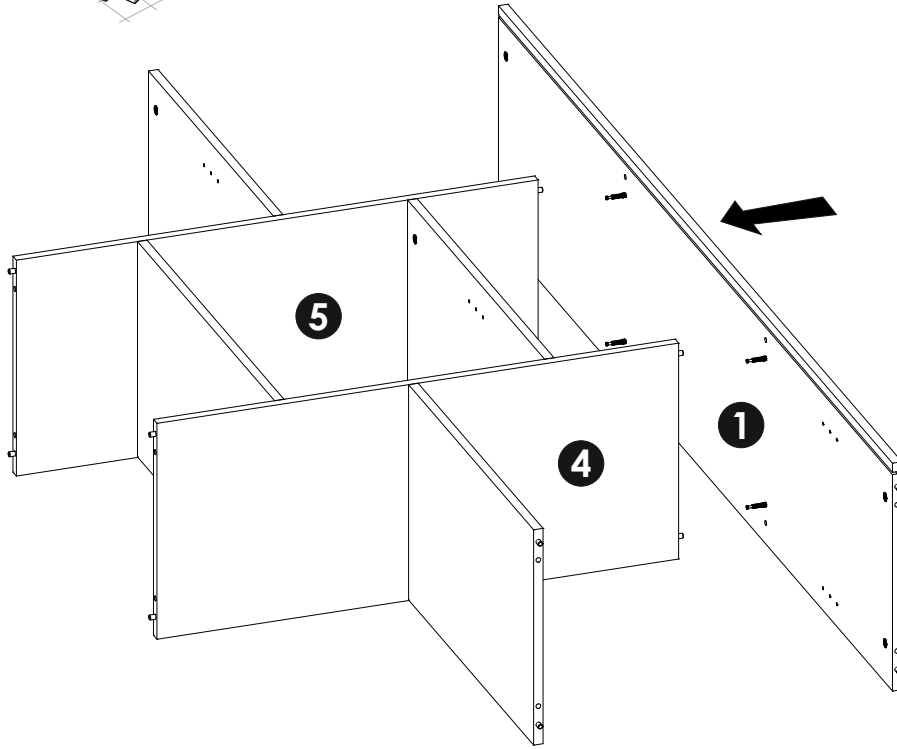
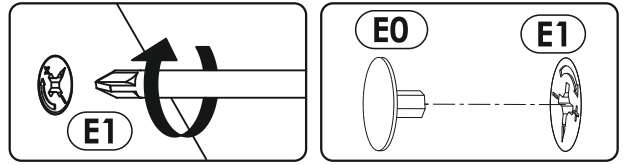
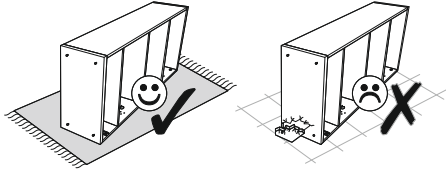




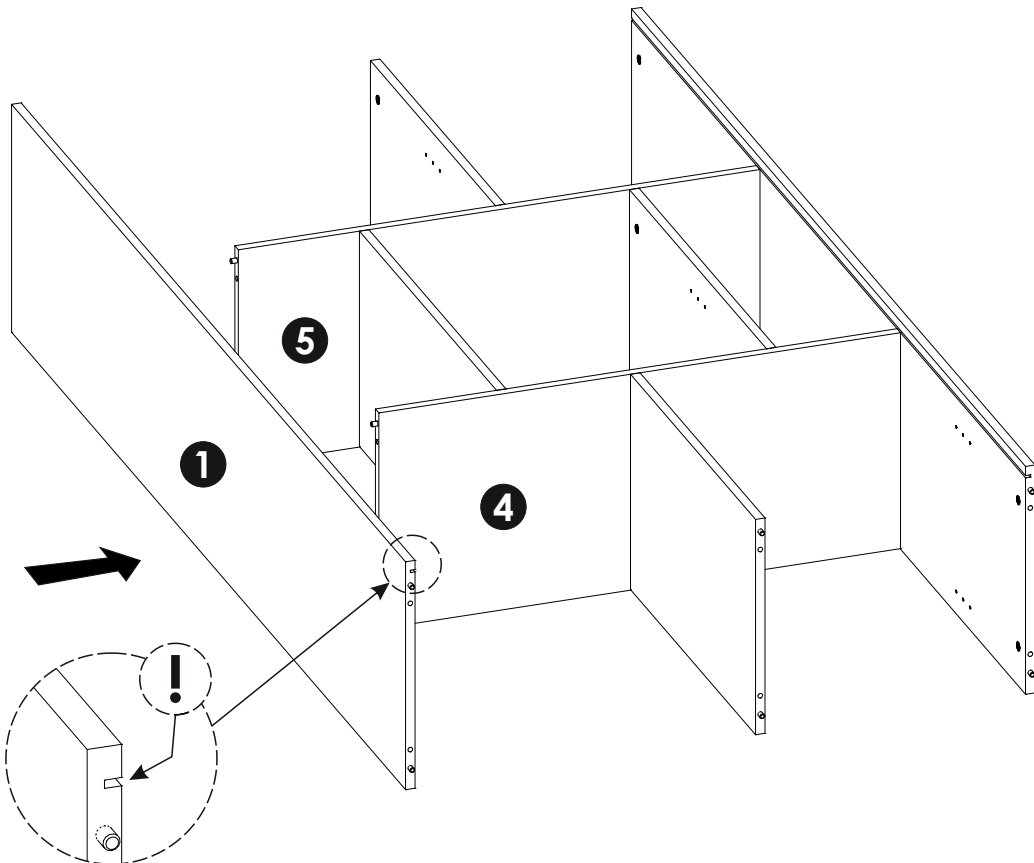
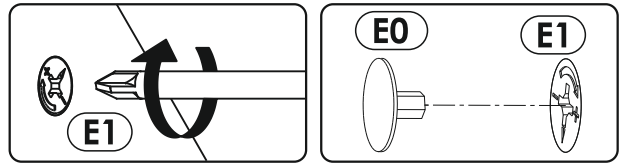
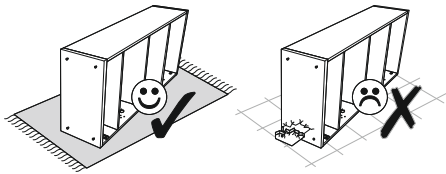




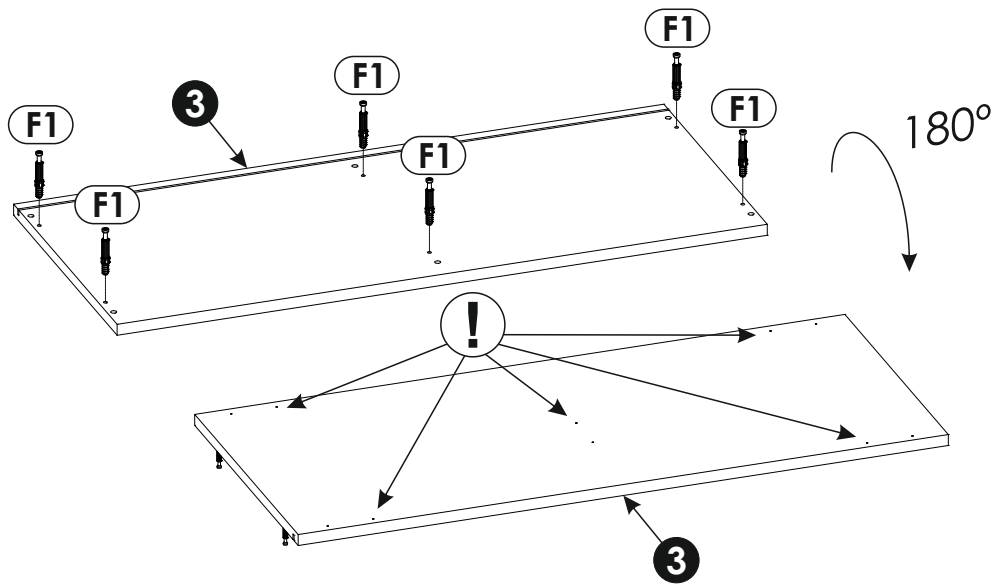
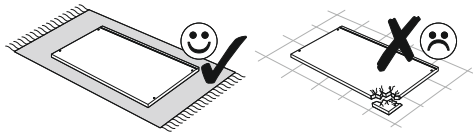
11 ▶



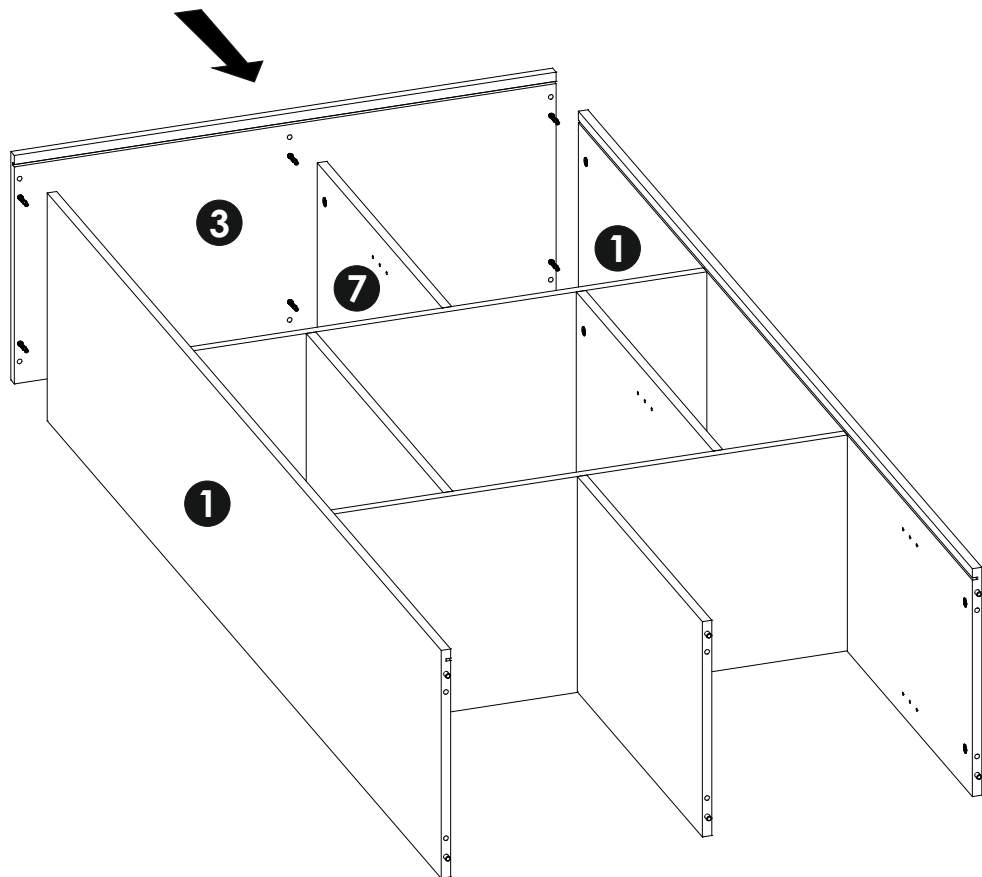
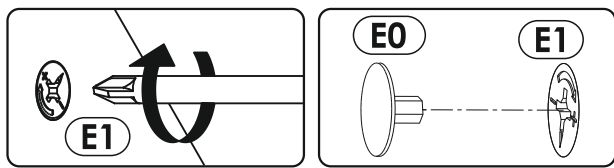
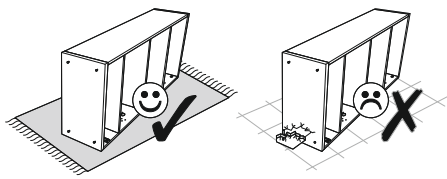
12 ▶



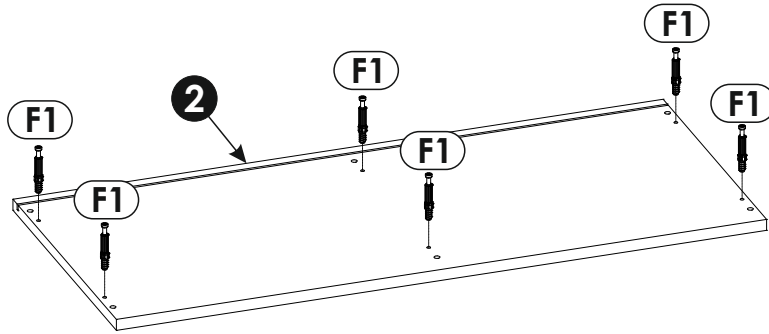
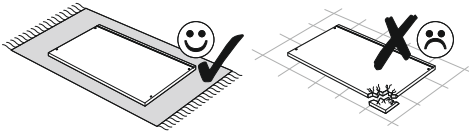
13▶



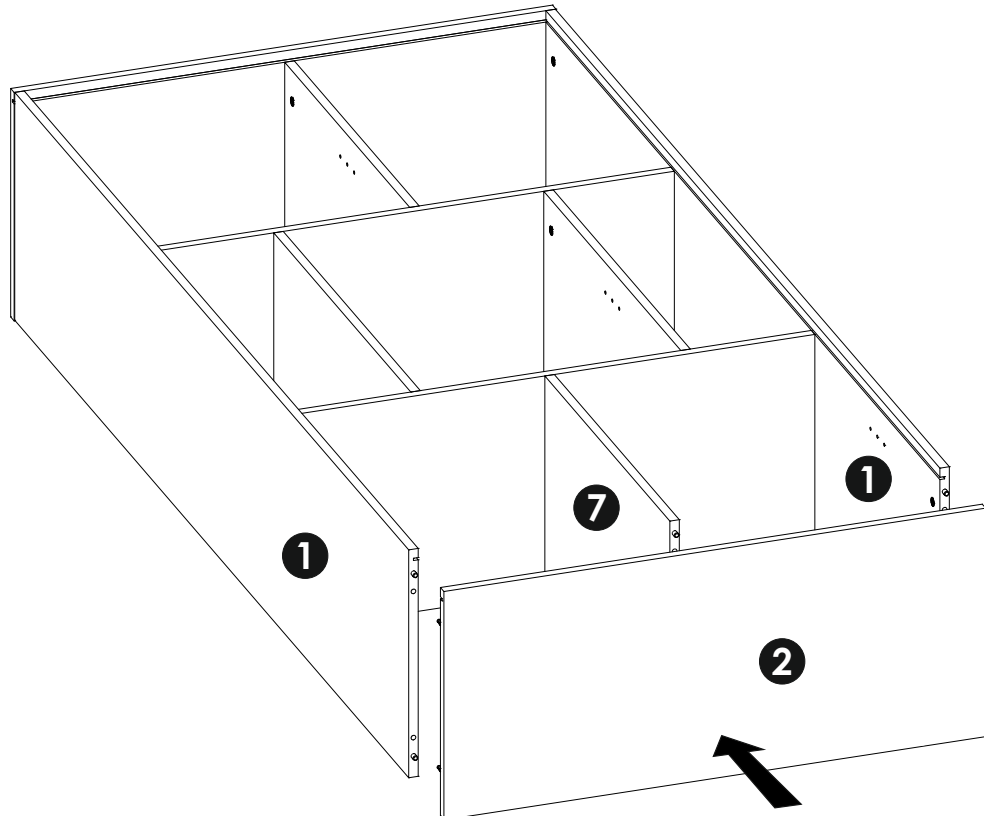
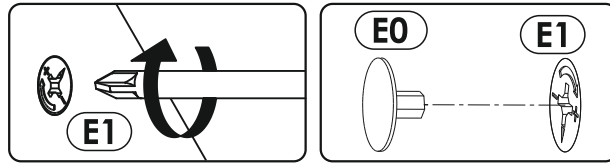
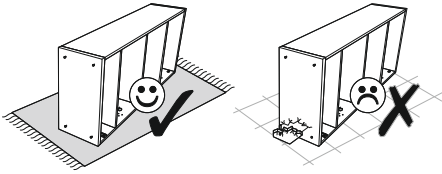
14▶



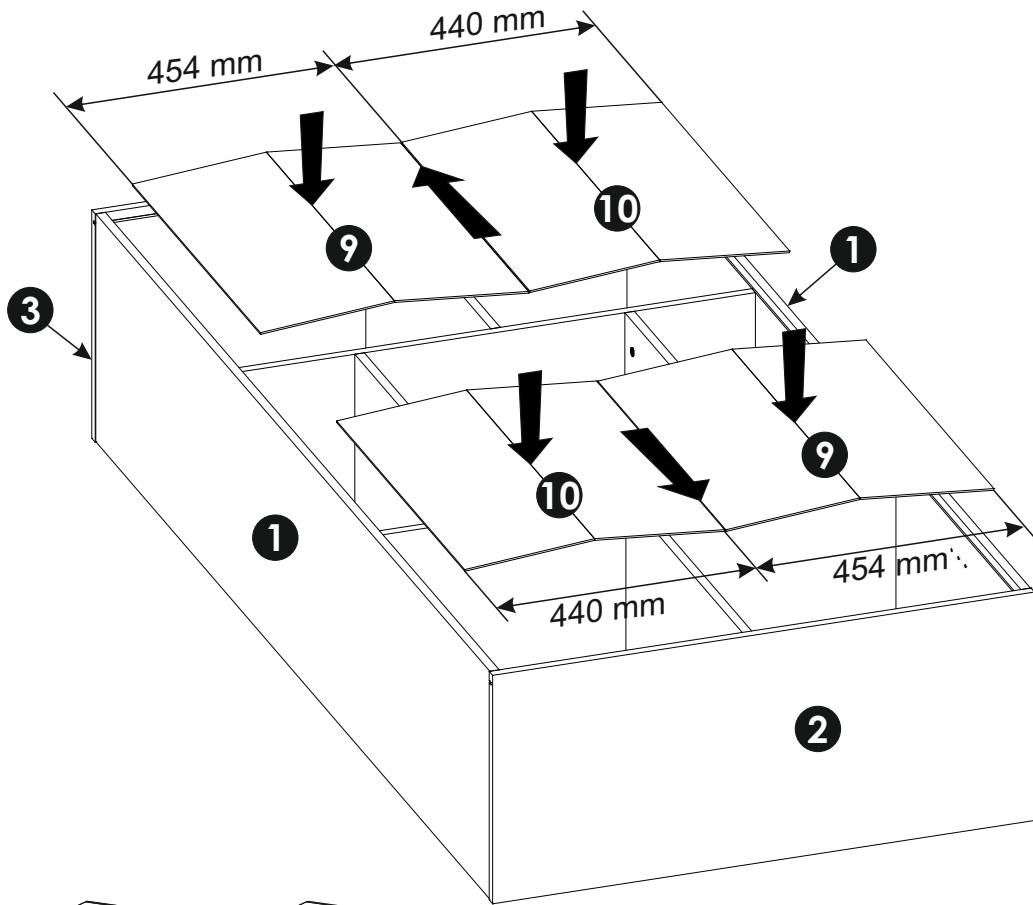
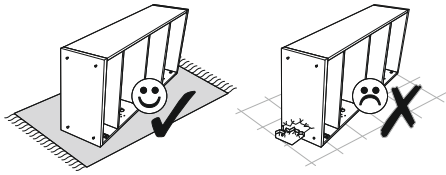
15 ▶



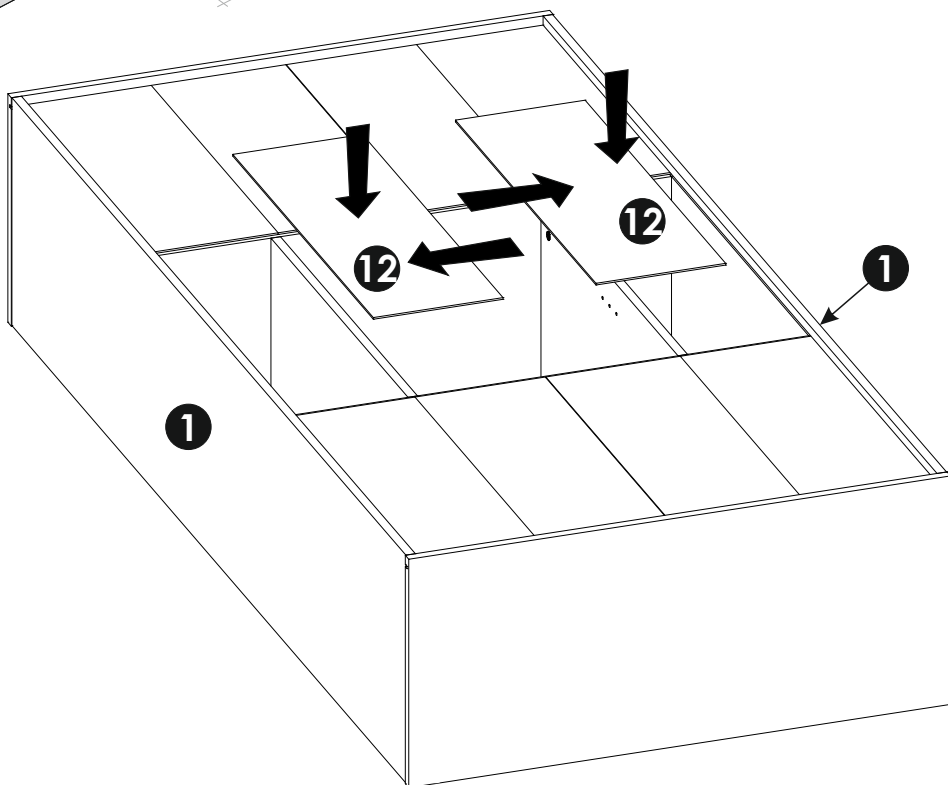
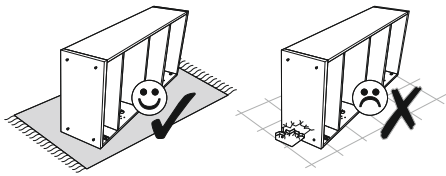
16 ▶



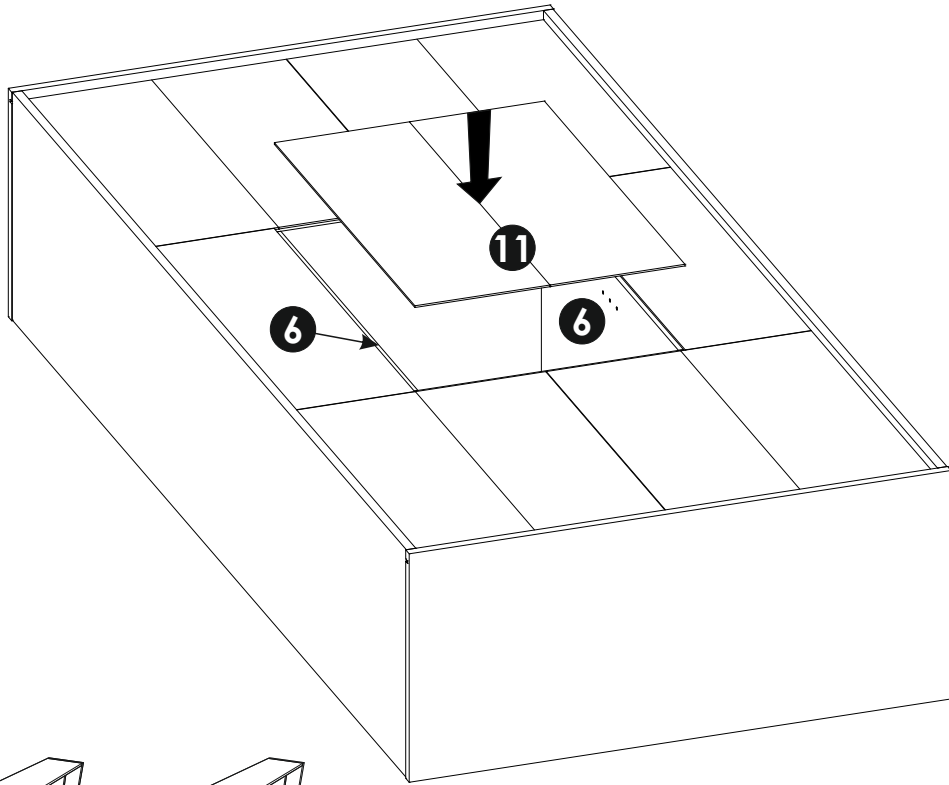
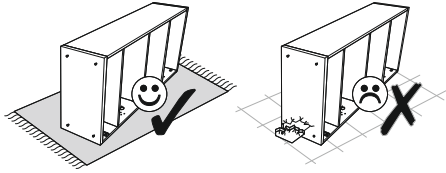
17 ▶



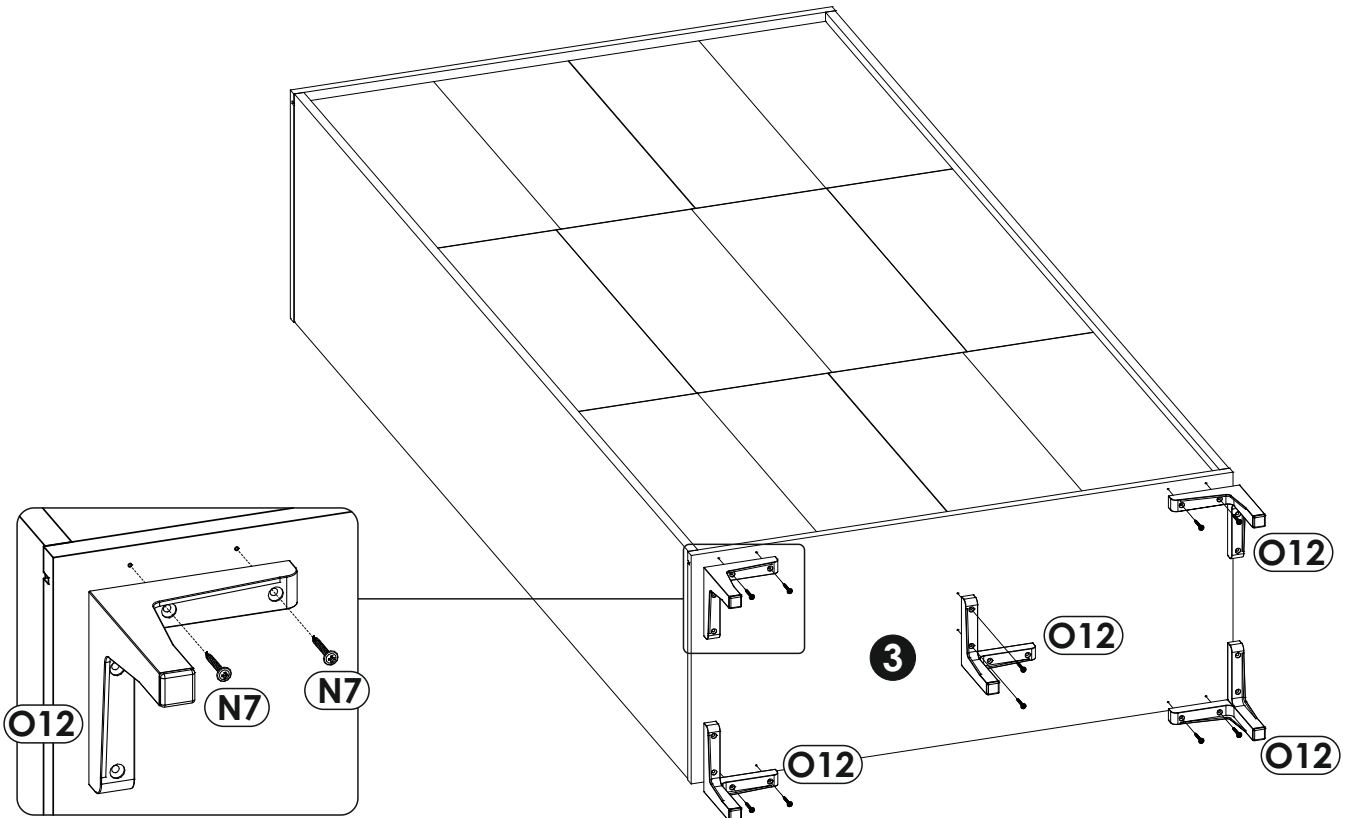
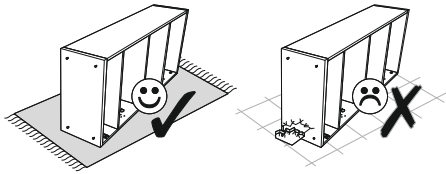
18 ▶



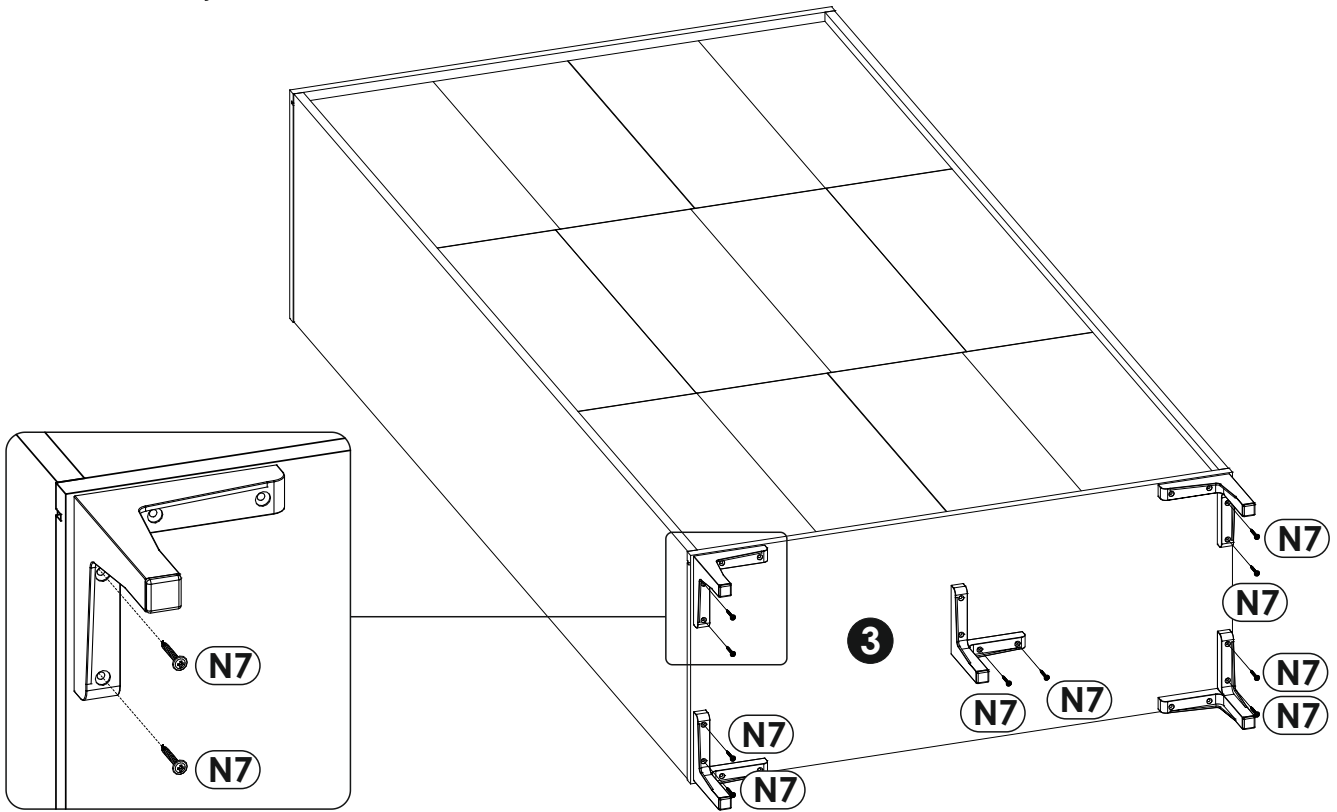
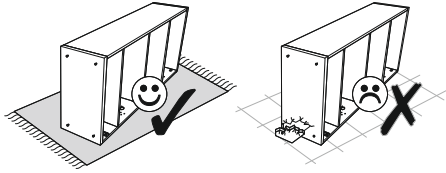
19 ▶



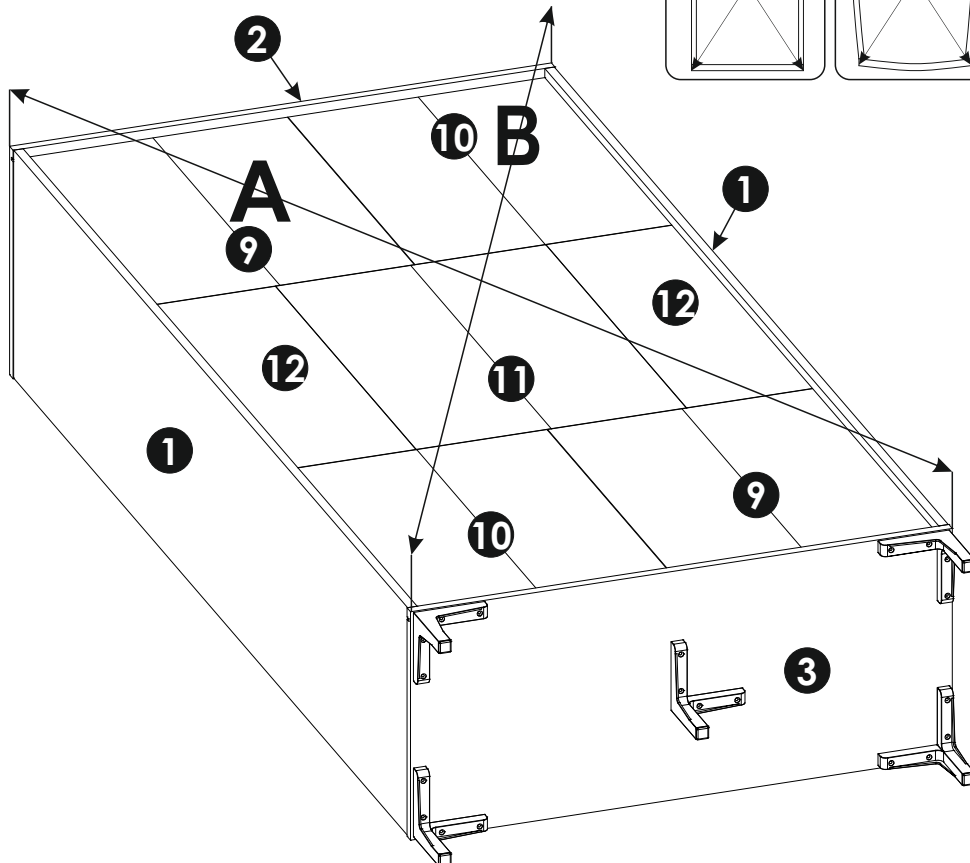
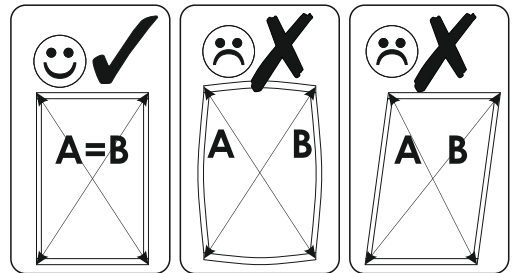
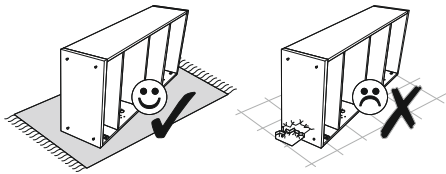
20 ▶



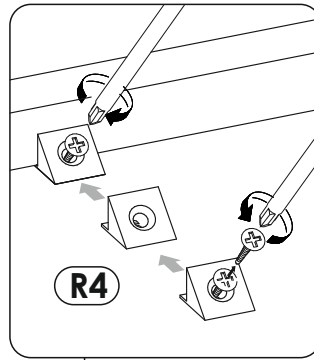
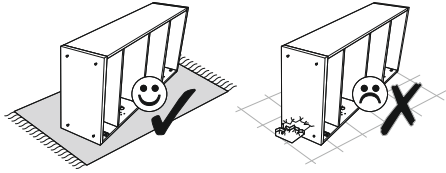
21 ▶



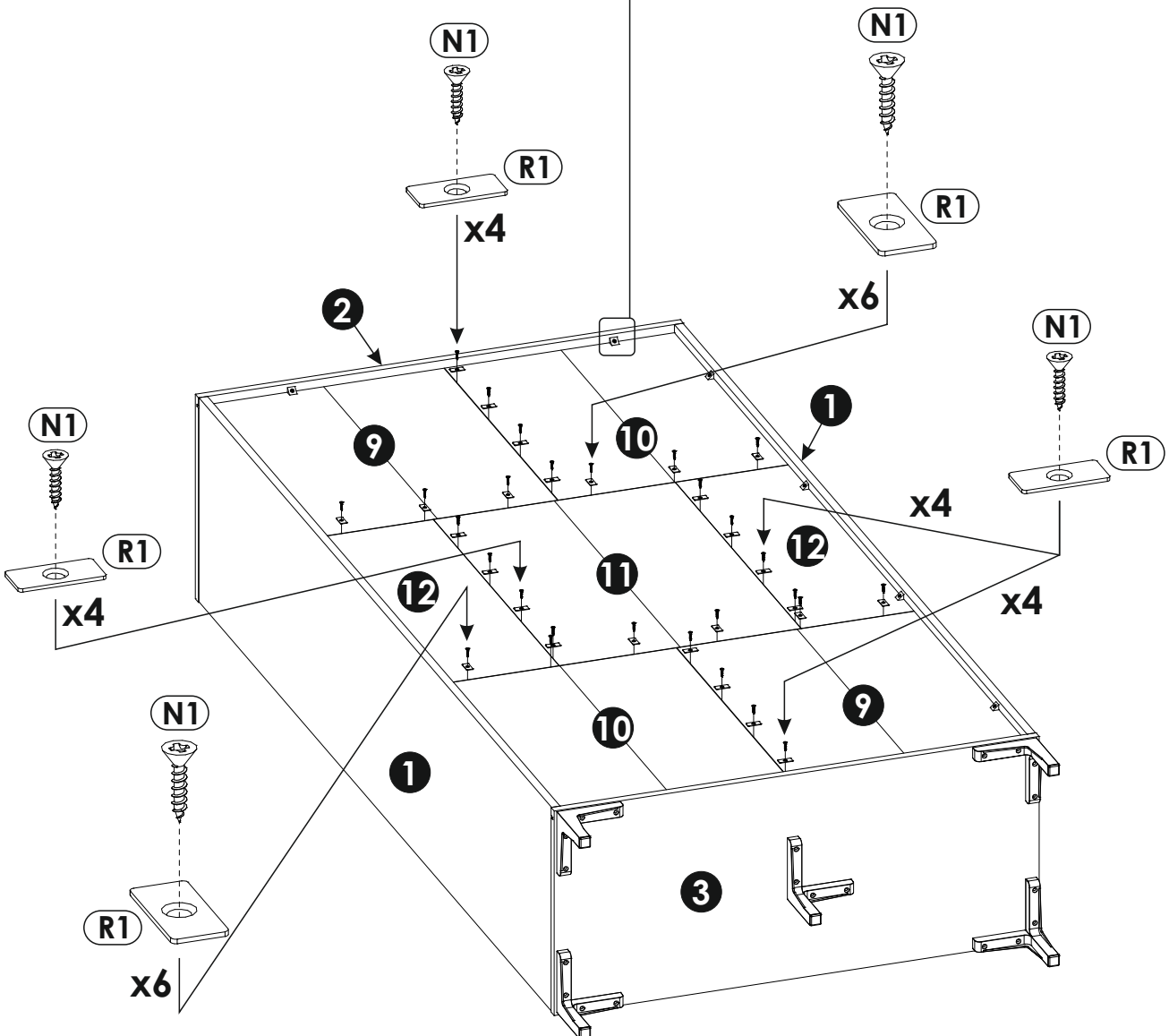
22 ▶



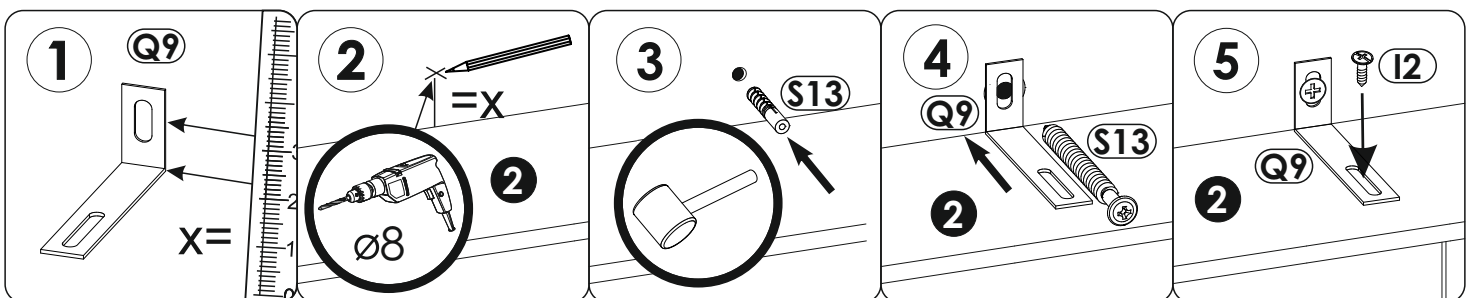
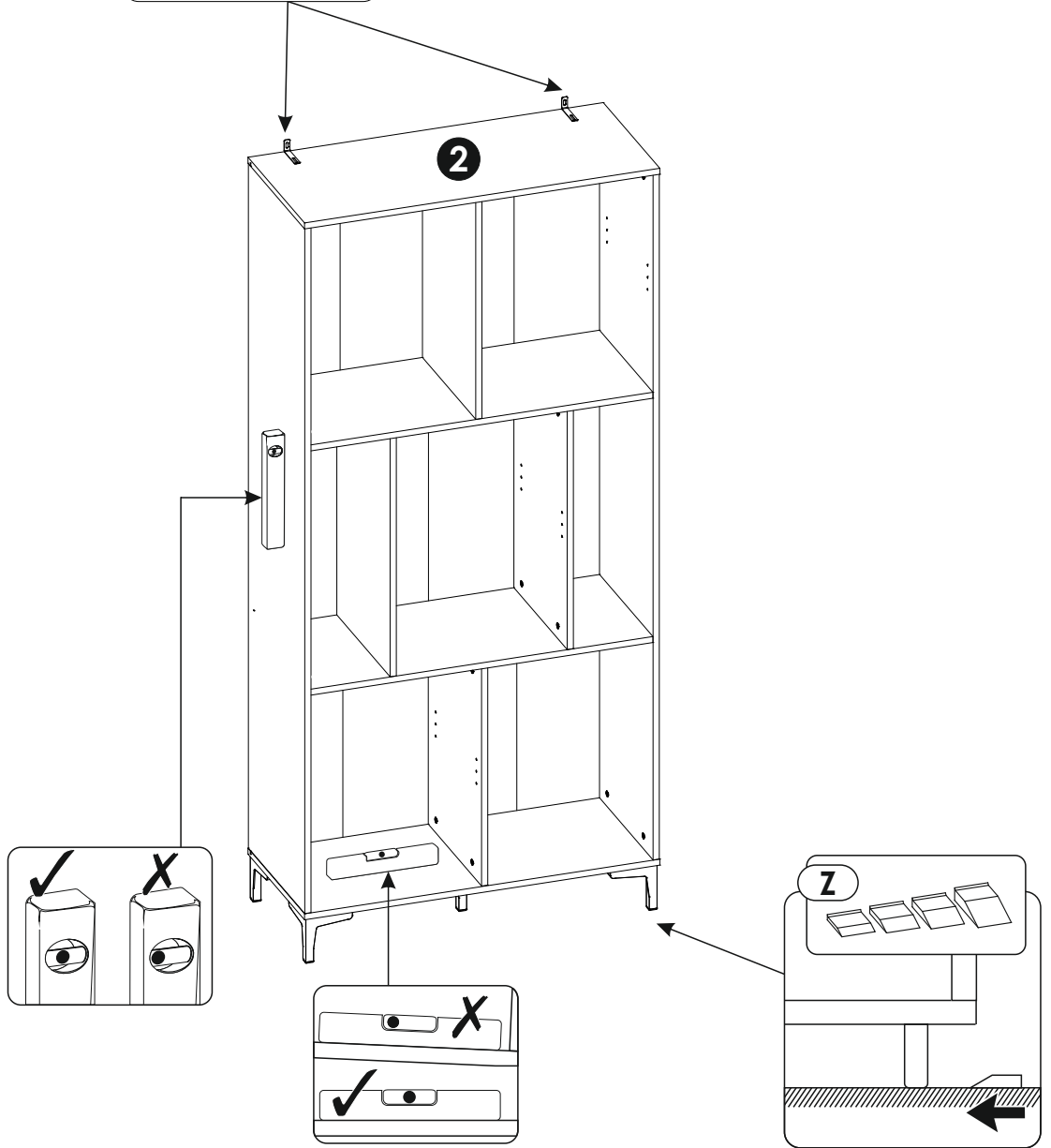
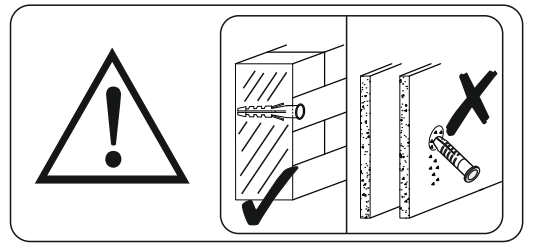
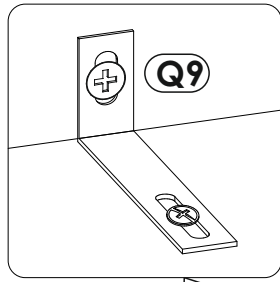
23 ▶



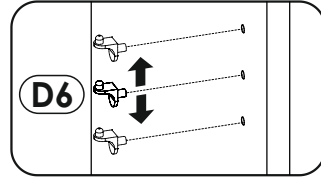
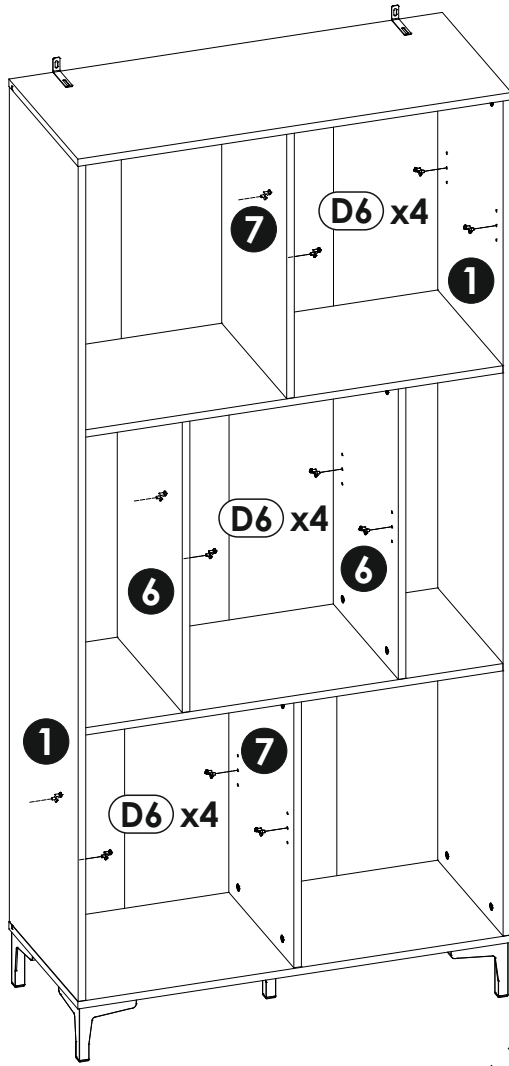
x12



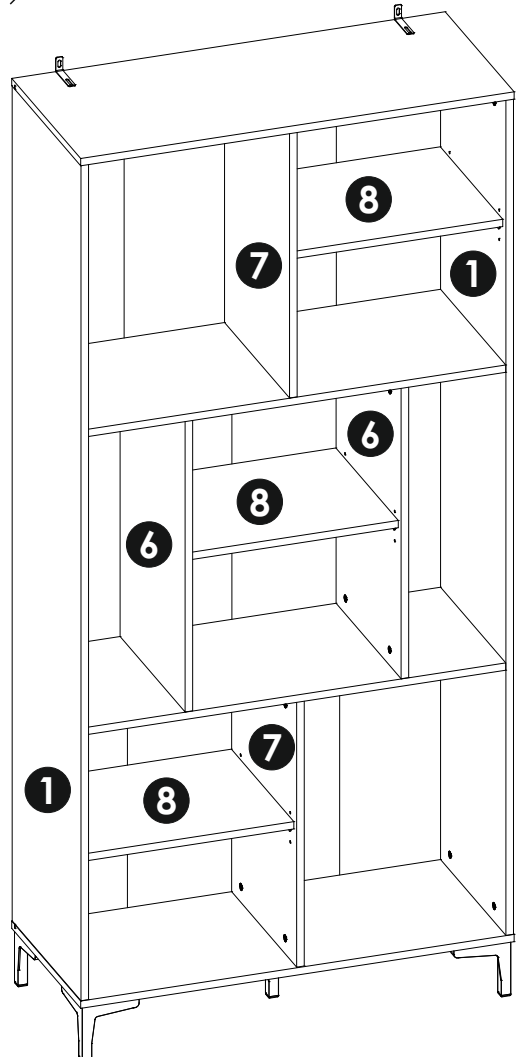
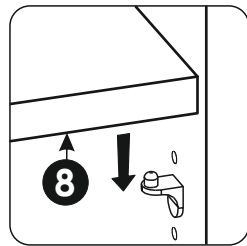
24 ▶



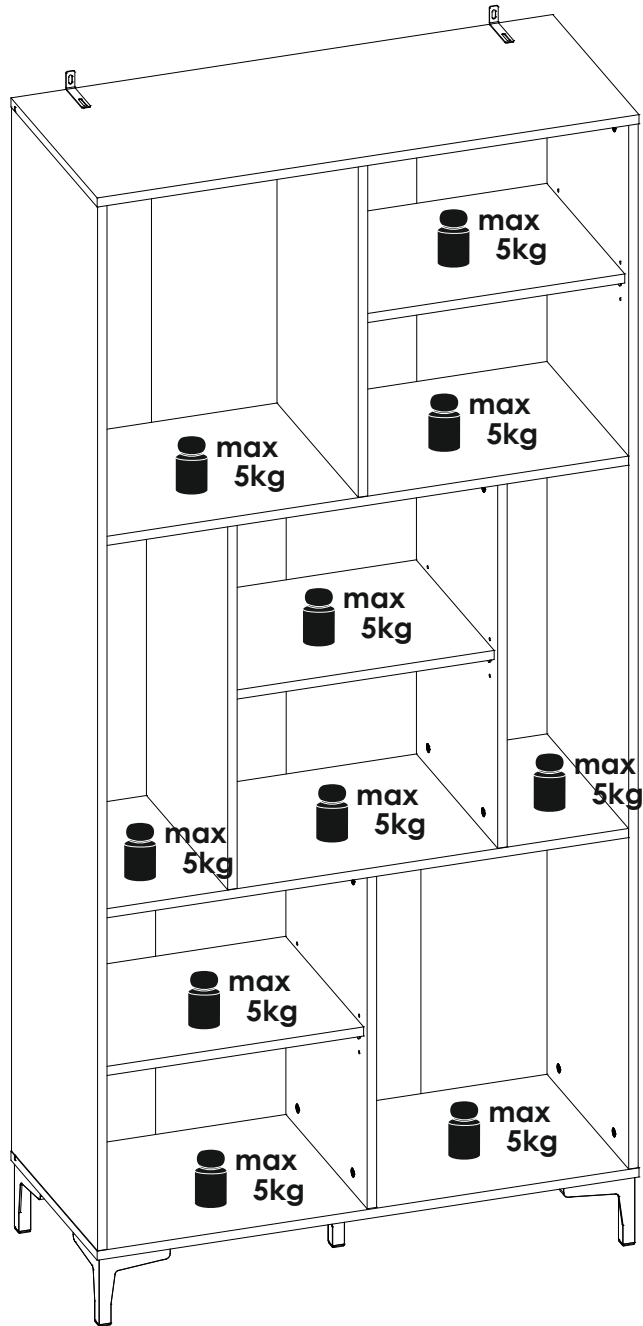
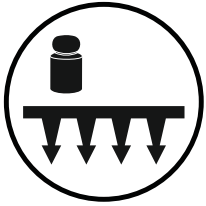
25 ▶

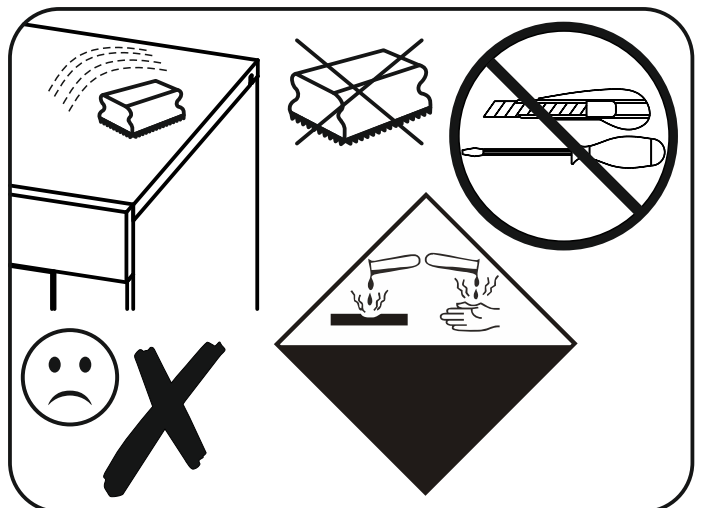
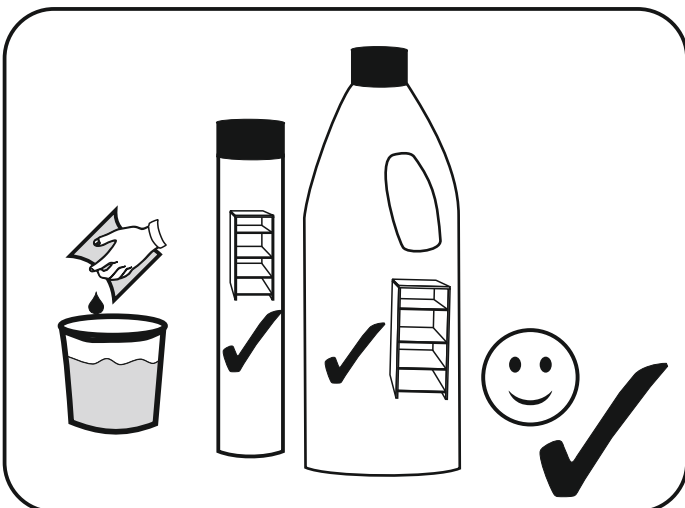
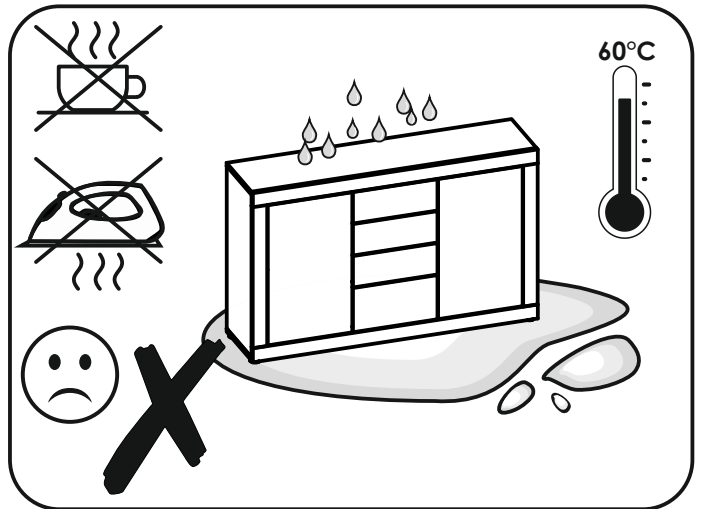
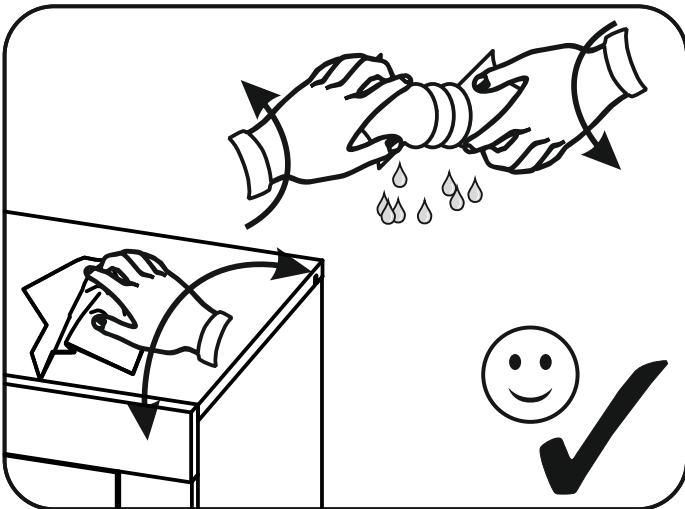
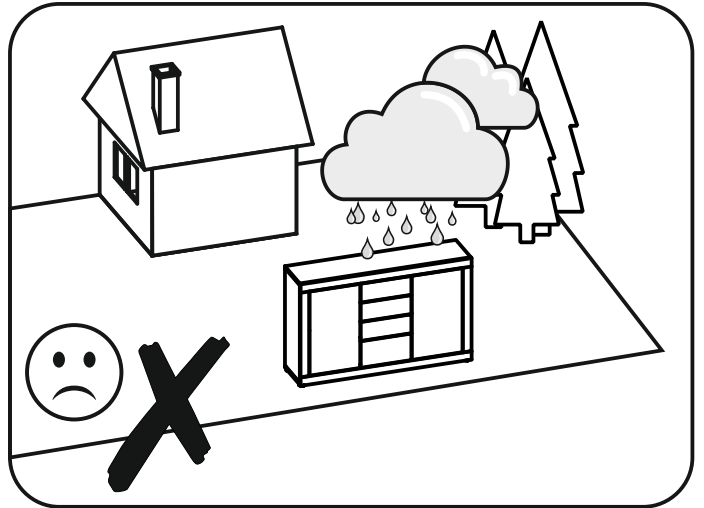
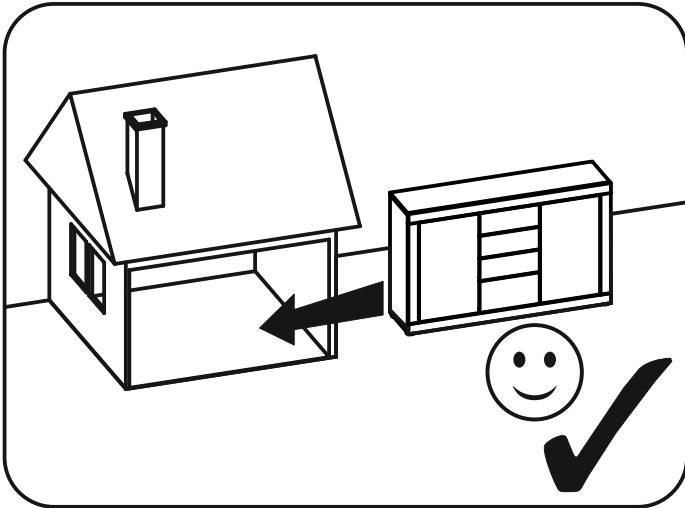
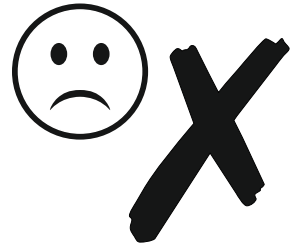


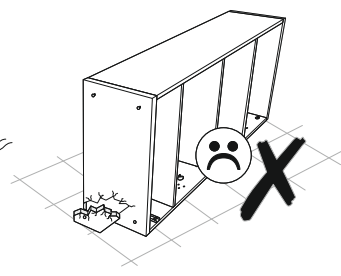
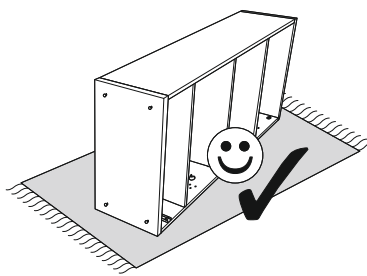
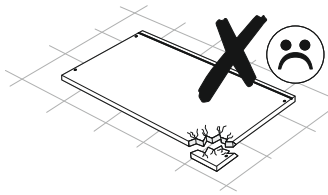
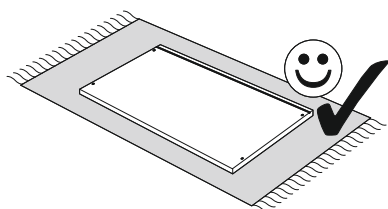
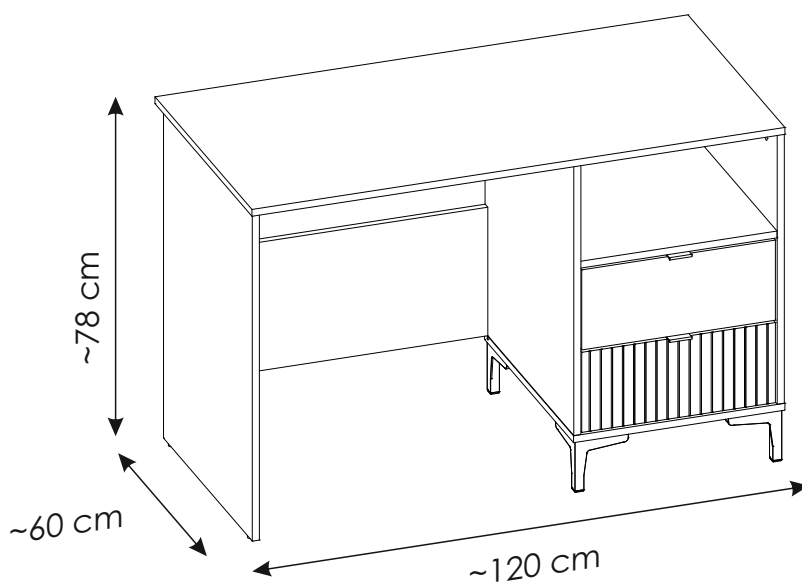
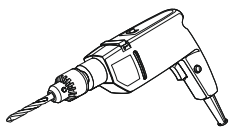
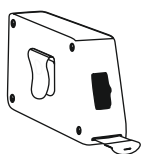
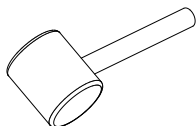
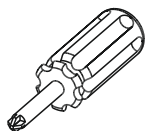
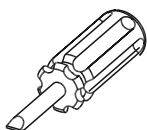
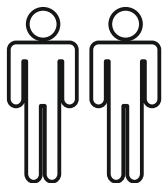
26 ▶

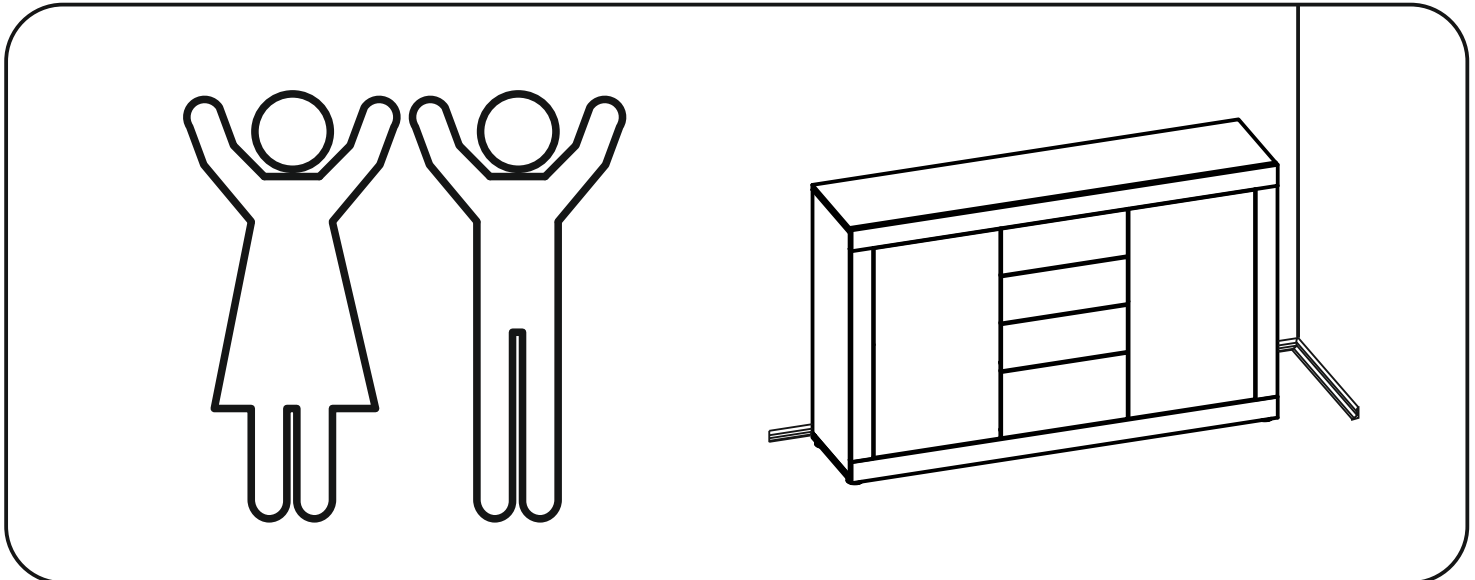
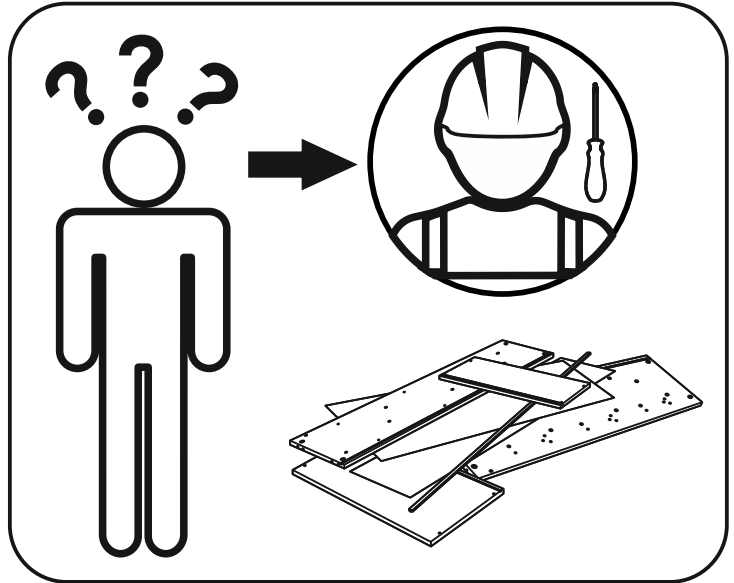
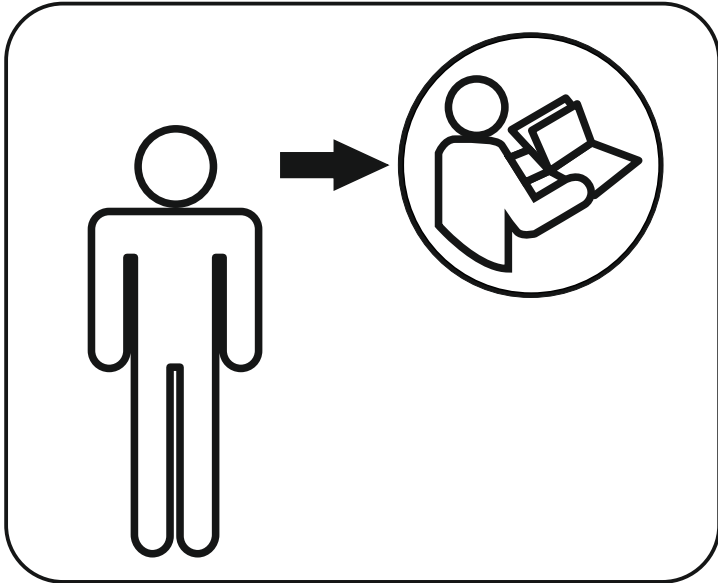
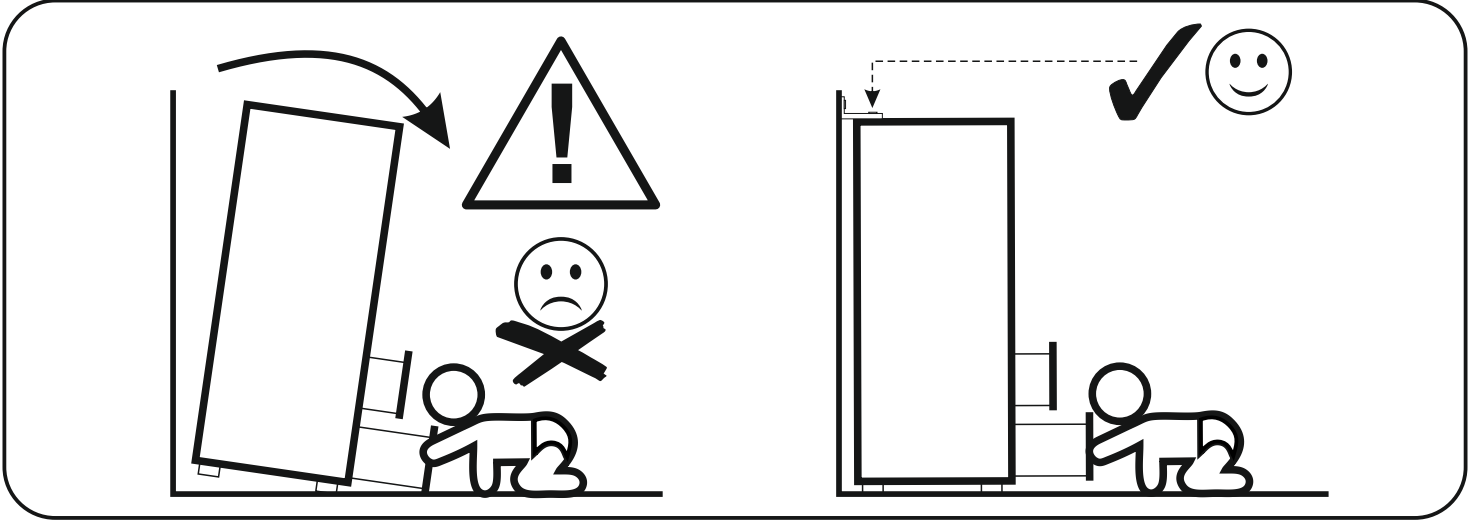
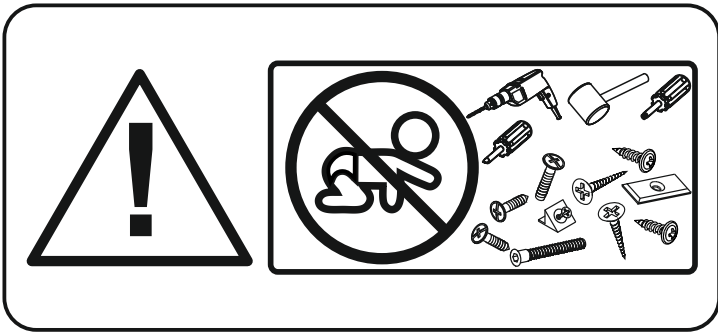


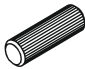
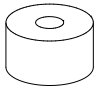
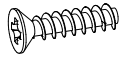
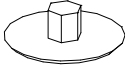

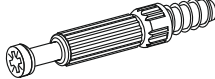

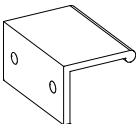
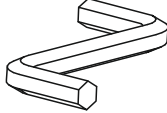




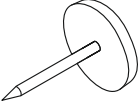
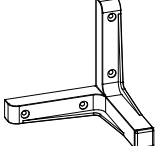
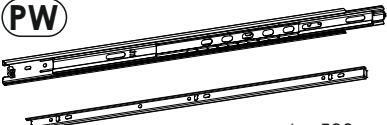
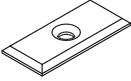
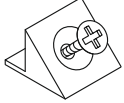
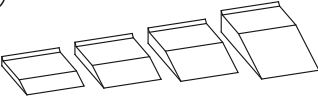
27▶

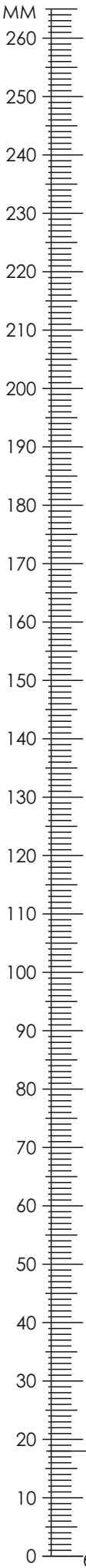


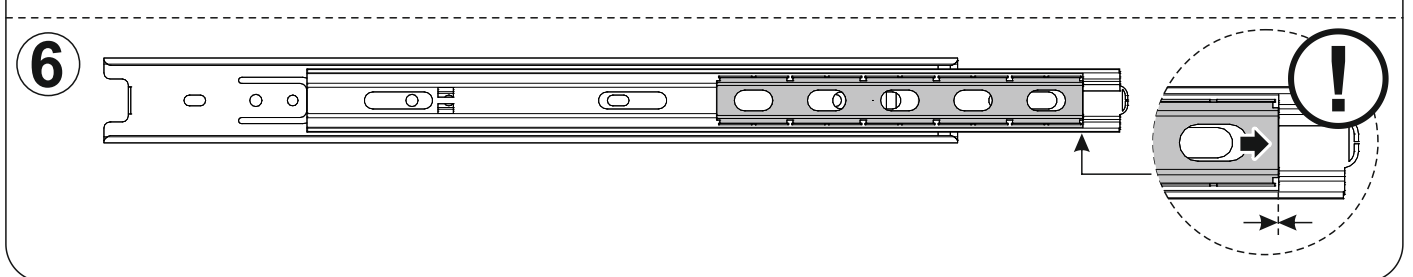
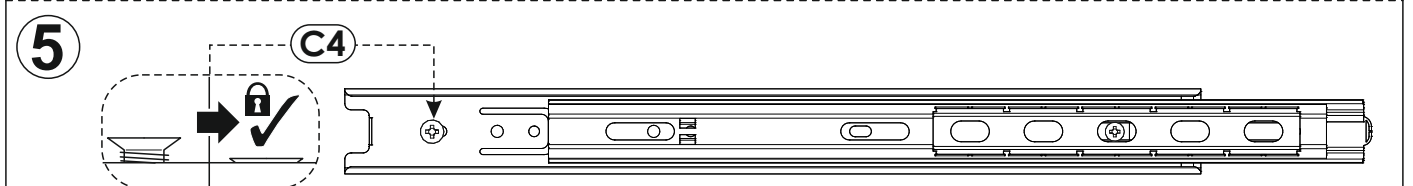
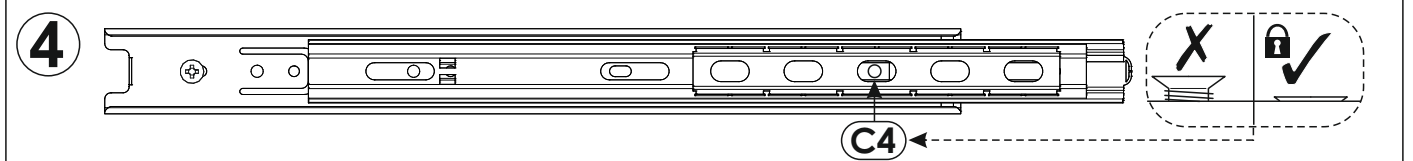
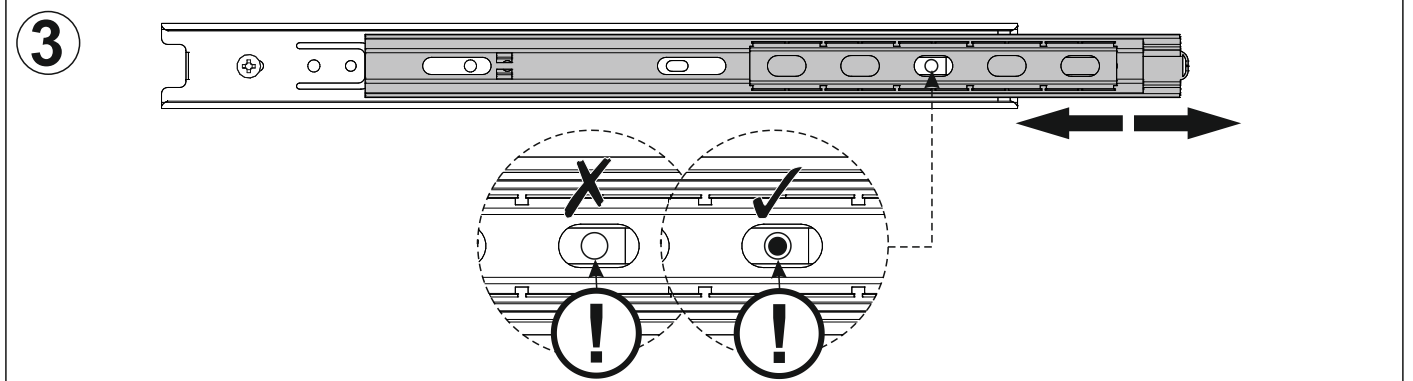
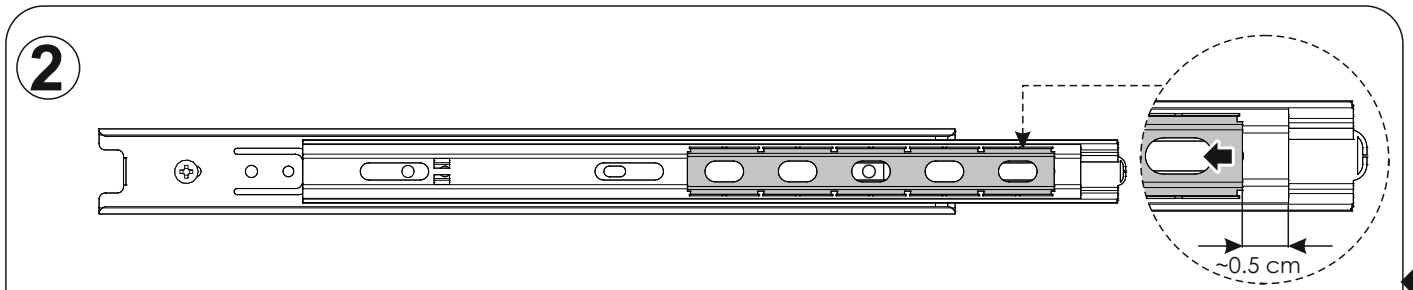
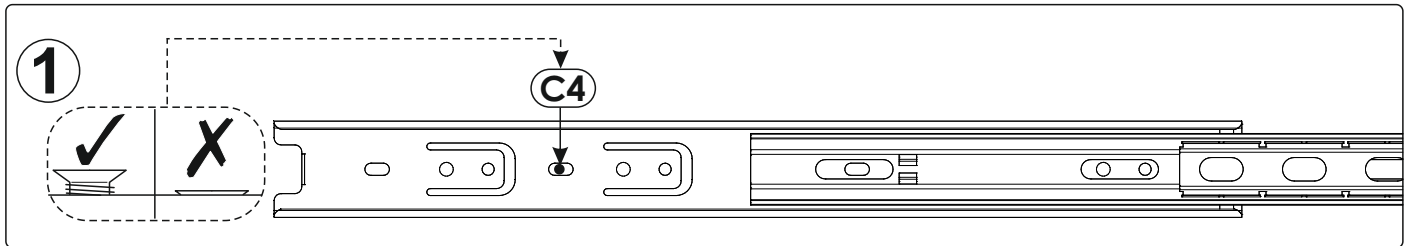
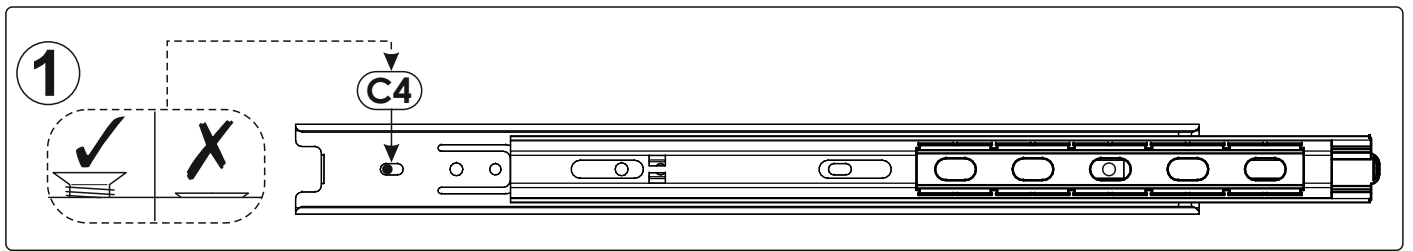


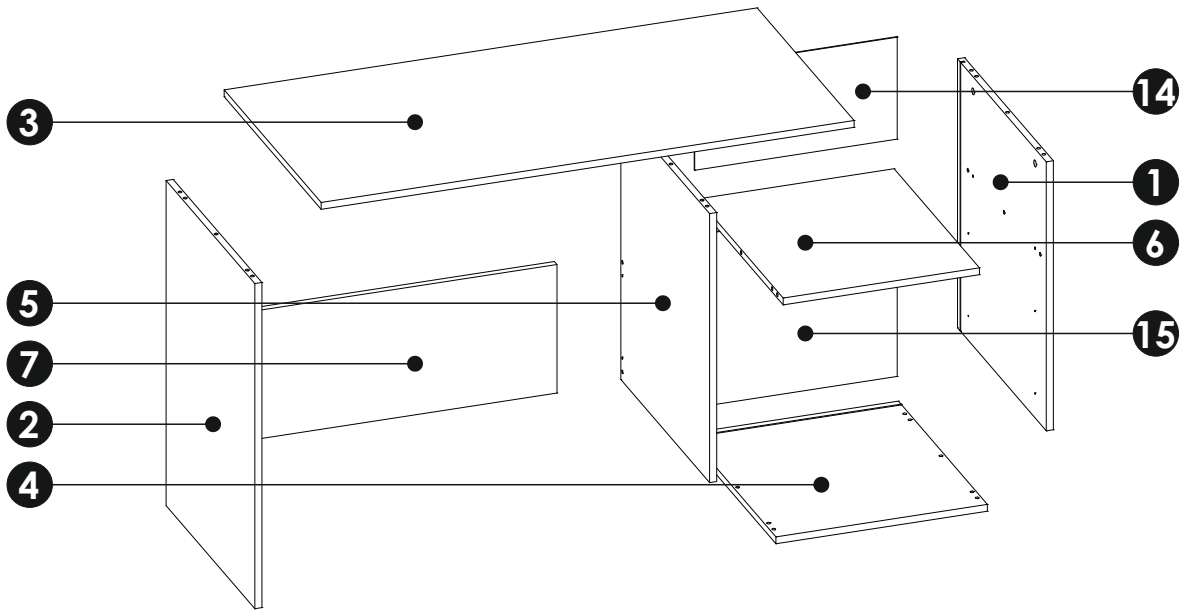
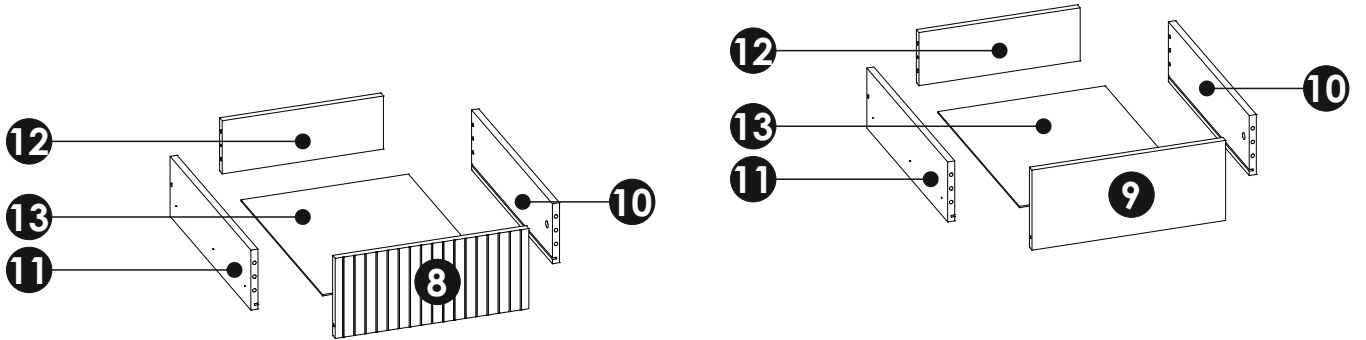
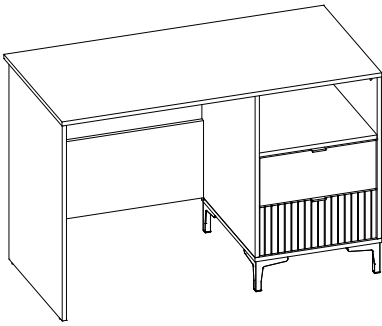




| | | |
|--|---|--|
| A1 8 x 35 mm x41  | BD  x8 H - 11 mm | C4 5 x 20 mm x8  |
| E0 Ø16 x14  | E1 15 x 12 mm x18  | F1 6 x 34 mm x18  |
| G1 7 x 50 mm x8  | H1  x2 L - 50 mm | M  x1 |
| N1 3 x 16 mm x15  | N4 3,5 x 13 mm x4  | N5 3,5 x 16 mm x12  |
| N7 3,5 x 30 mm x16  | O2  x2 | O12  x4 |
| PW  x4 L - 500 mm | R1  x3 | R4  x8 |
| Z  x1 | | |

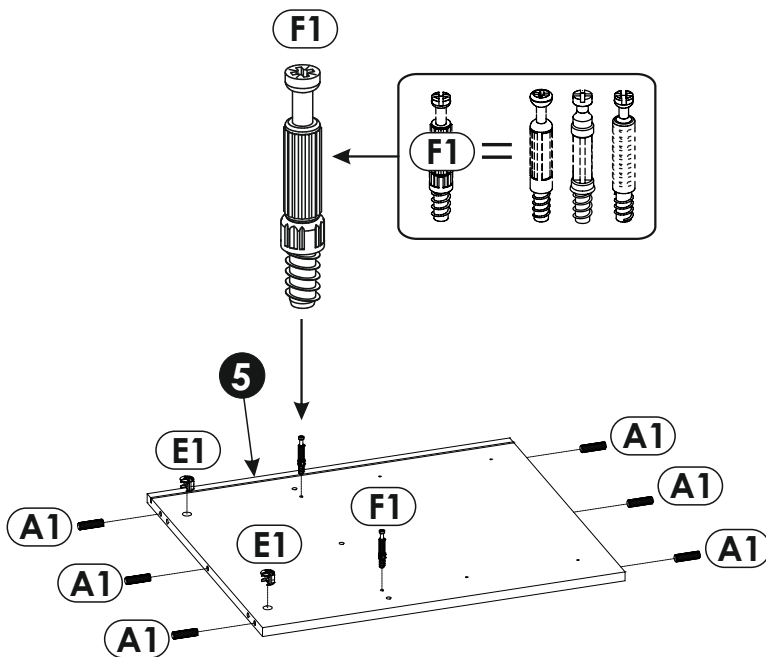
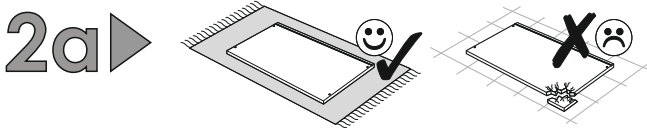
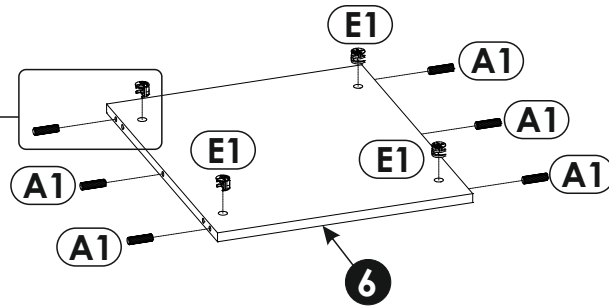
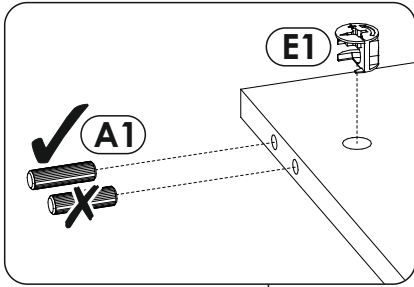
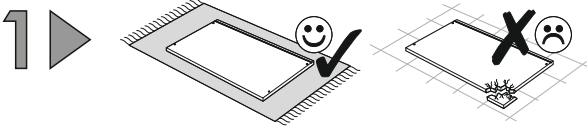
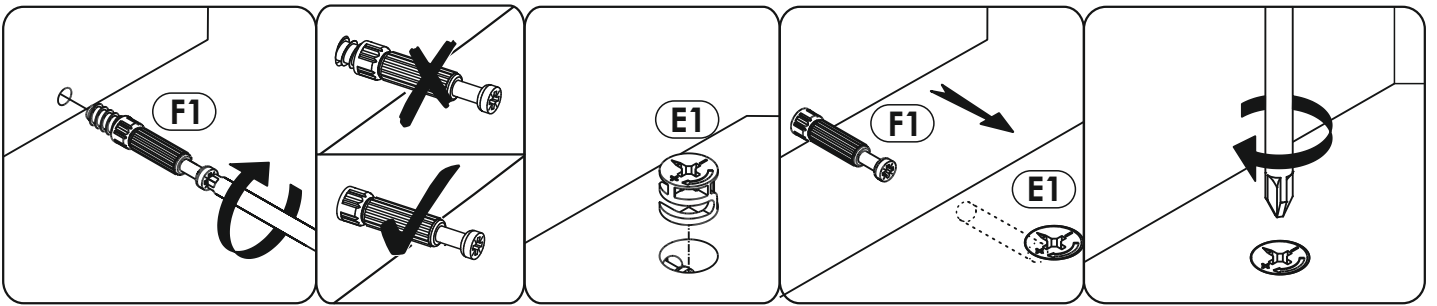


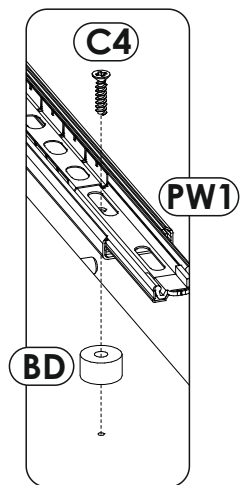
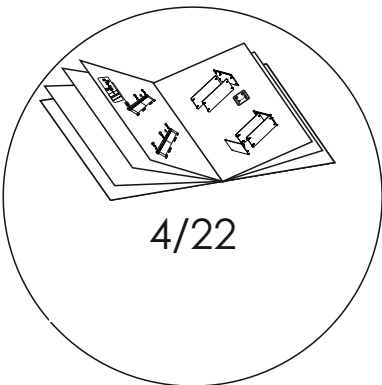
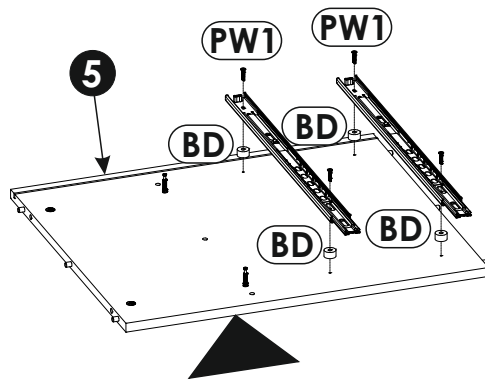
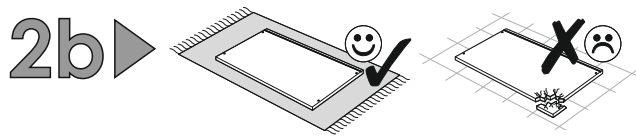
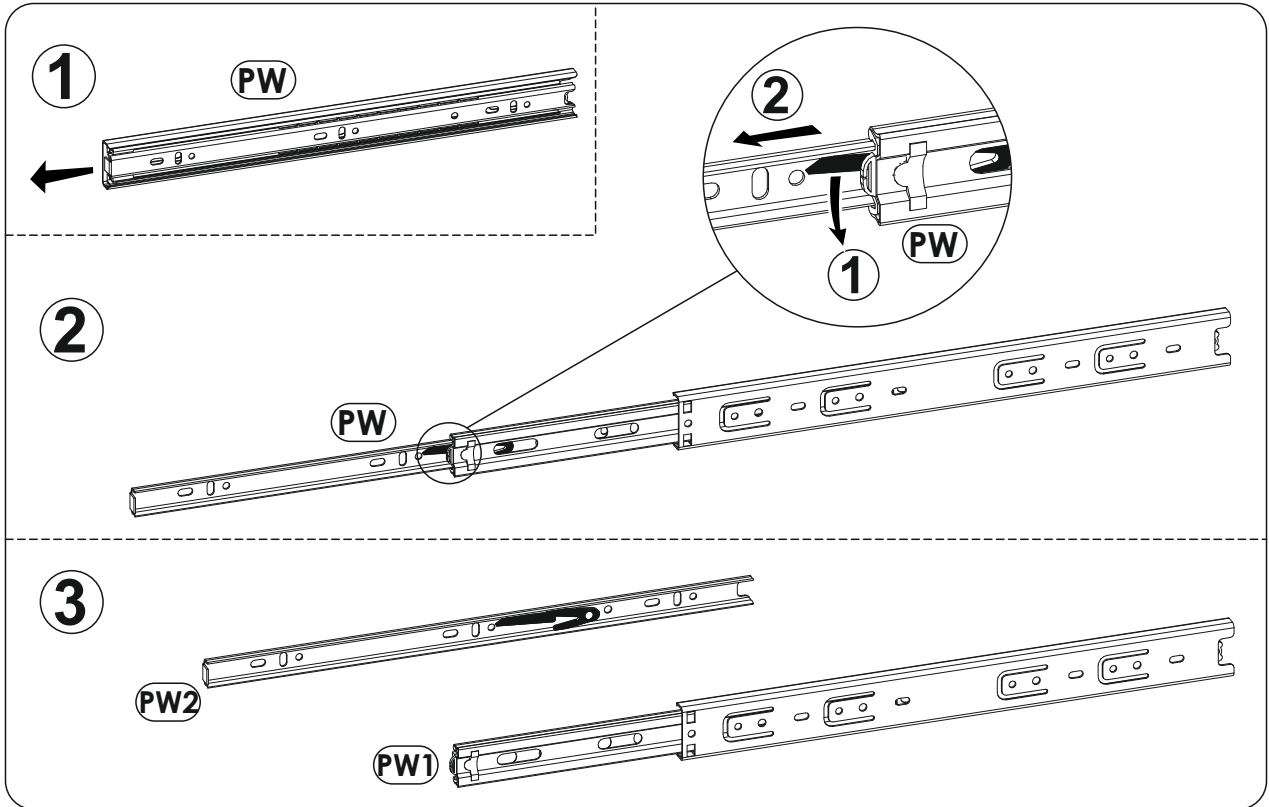


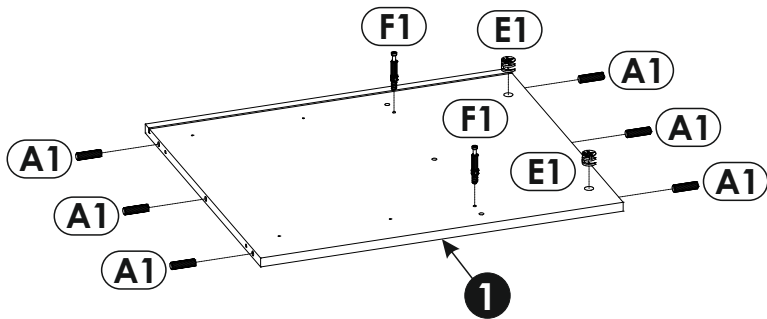
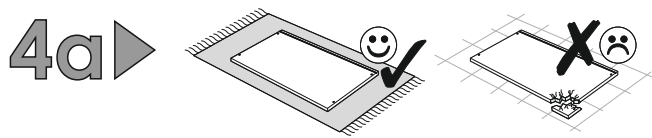
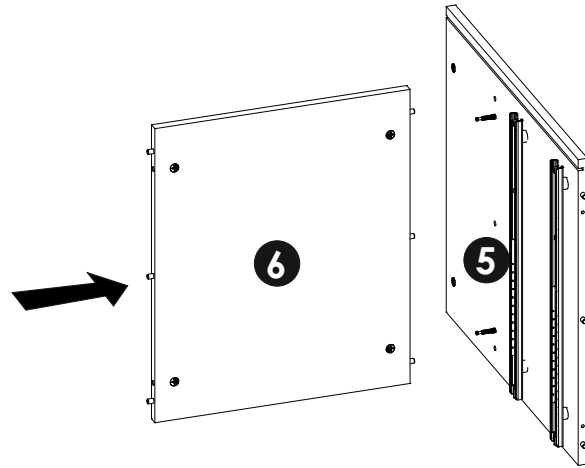
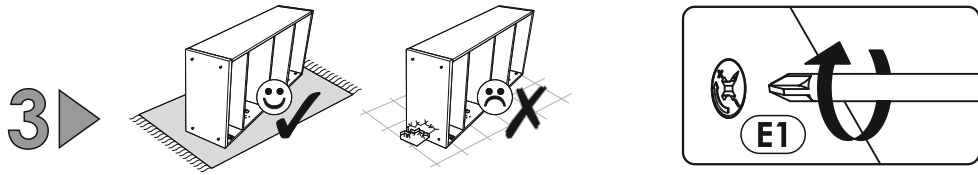


| | | | | | |
|----------|------|-----|----|----|-----|
| 1 | 628 | 549 | 16 | x1 | 2/2 |
| 2 | 759 | 549 | 16 | x1 | 1/2 |
| 3 | 1200 | 600 | 16 | x1 | 2/2 |
| 4 | 476 | 550 | 16 | x1 | 1/2 |
| 5 | 628 | 549 | 16 | x1 | 1/2 |
| 6 | 442 | 528 | 16 | x1 | 2/2 |
| 7 | 708 | 300 | 16 | x1 | 1/2 |
| 8 | 187 | 436 | 16 | x1 | 1/2 |

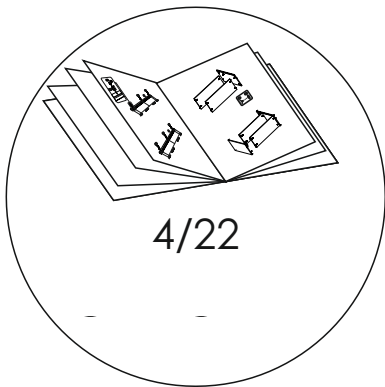
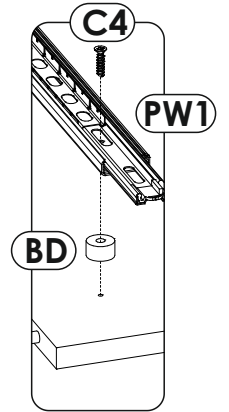
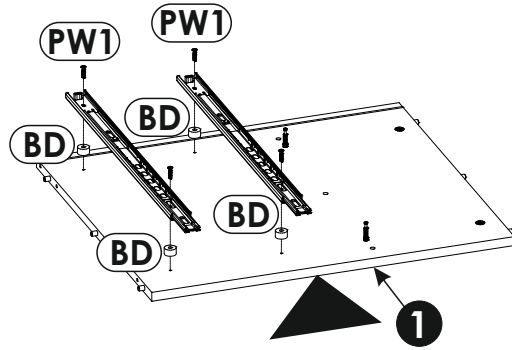
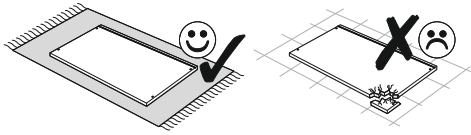
| | | | | | |
|-----------|-----|-----|----|----|-----|
| 9 | 436 | 187 | 16 | x1 | 1/2 |
| 10 | 500 | 140 | 16 | x2 | 1/2 |
| 11 | 500 | 140 | 16 | x2 | 1/2 |
| 12 | 363 | 124 | 16 | x2 | 1/2 |
| 13 | 377 | 505 | 3 | x2 | 1/2 |
| 14 | 238 | 456 | 3 | x1 | 1/2 |
| 15 | 402 | 456 | 3 | x1 | 1/2 |



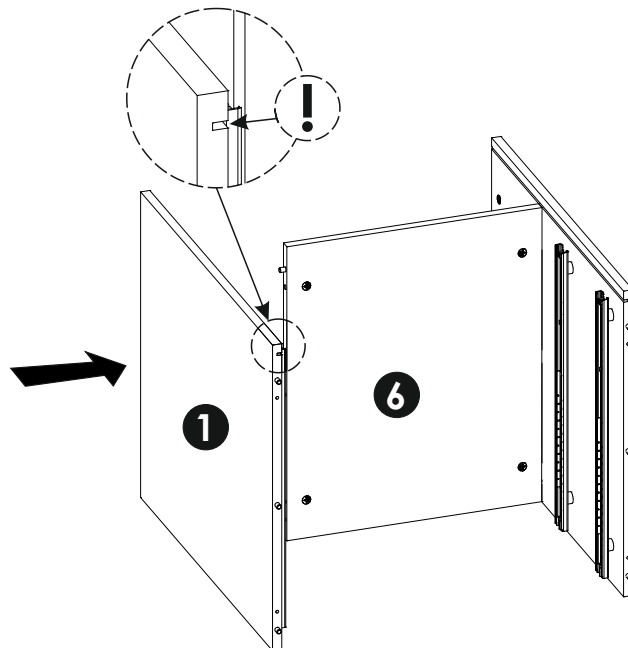
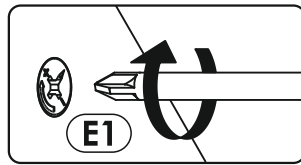
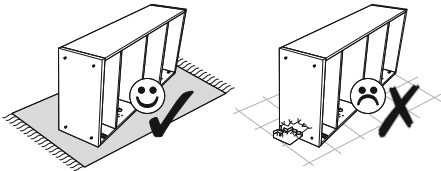


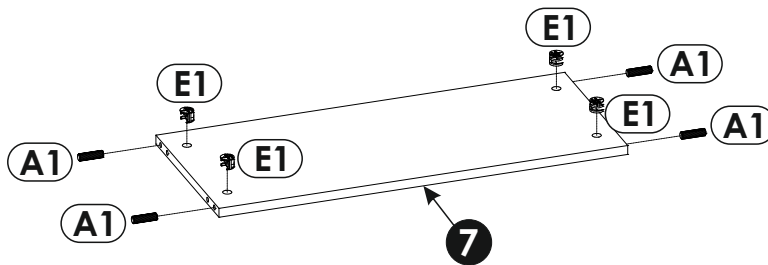
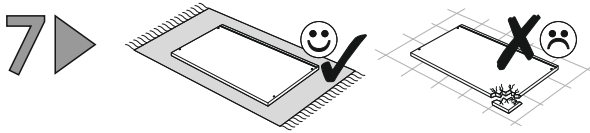
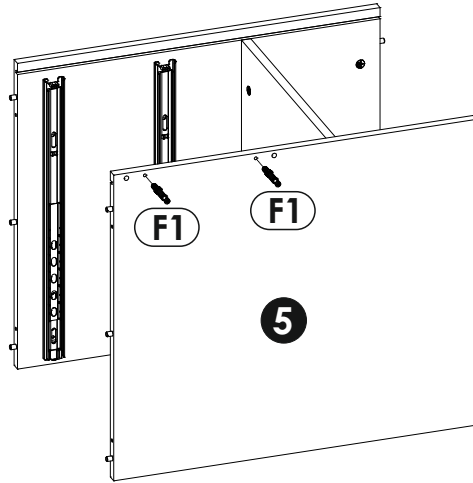
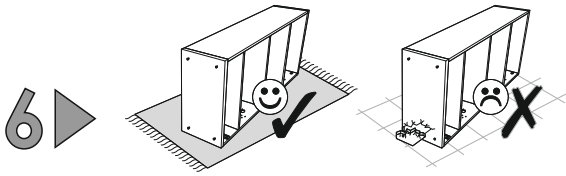


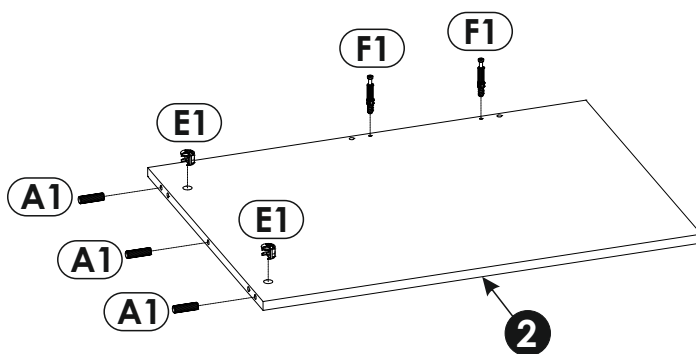
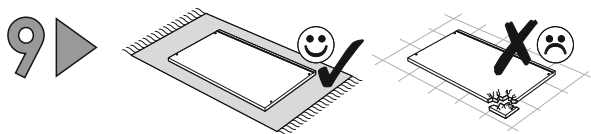
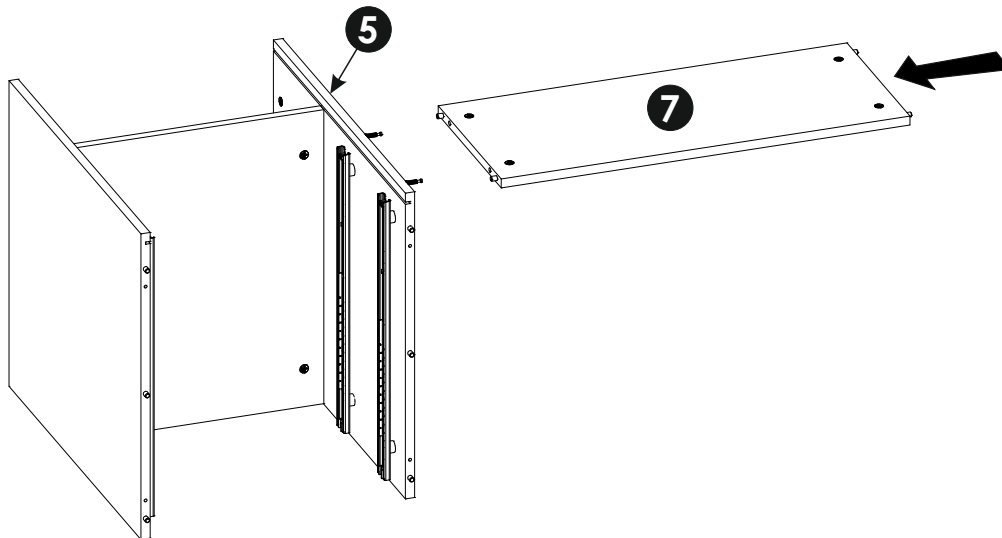
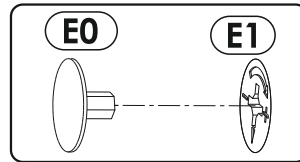
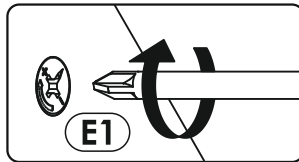
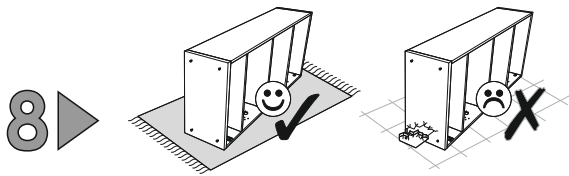
4b ▶

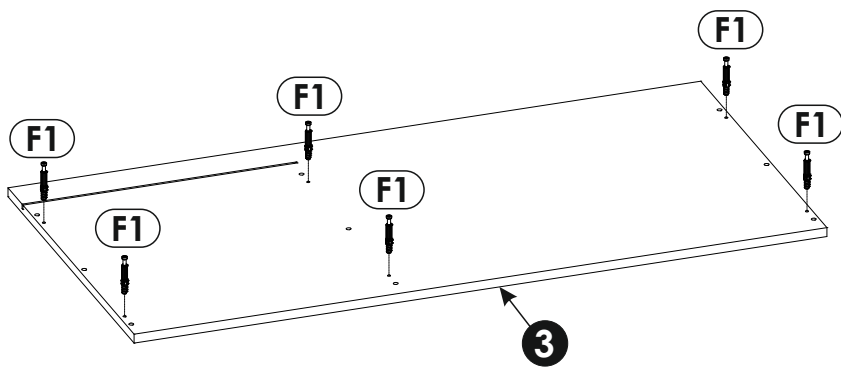
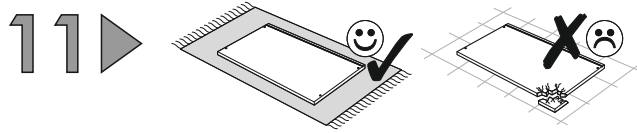
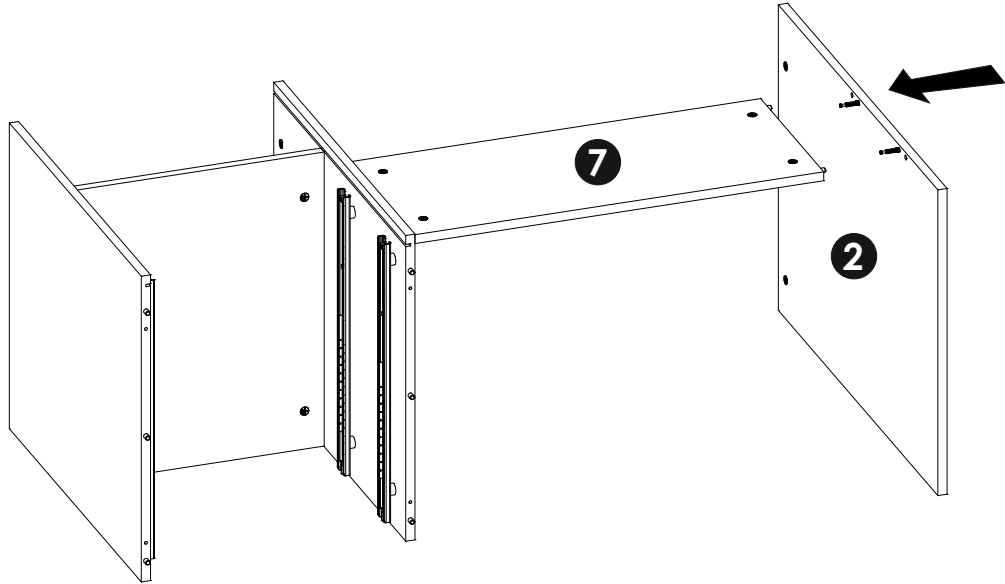
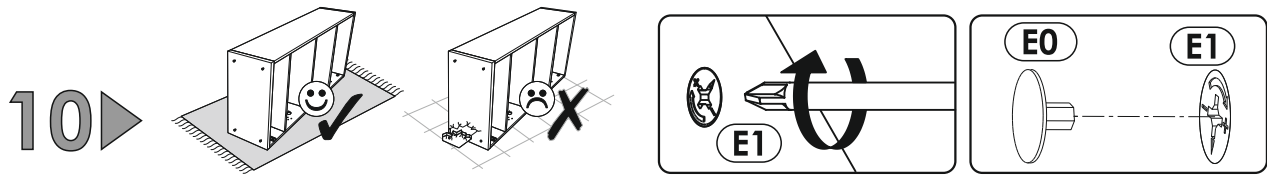


5 ▶

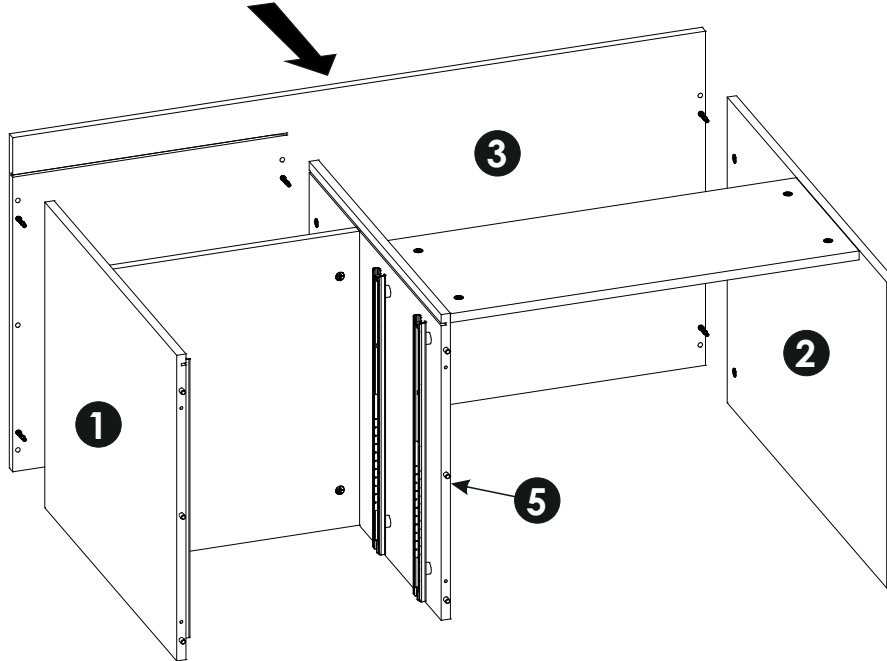
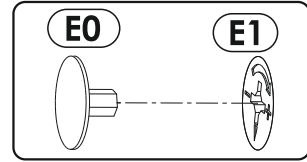
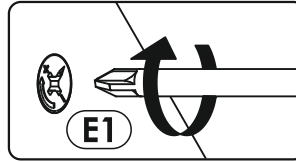
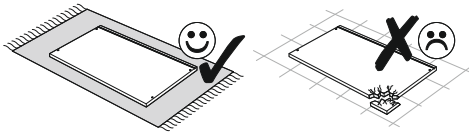




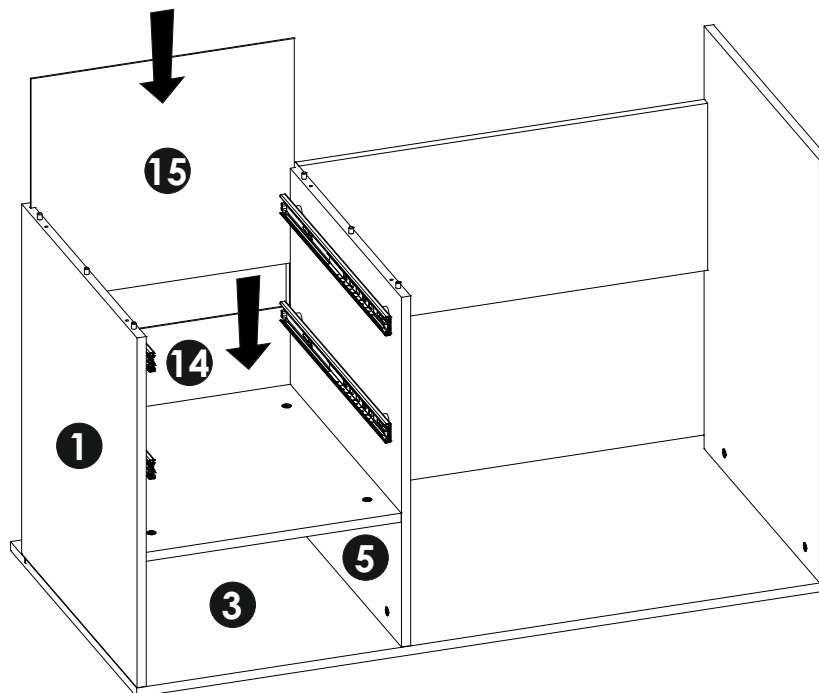
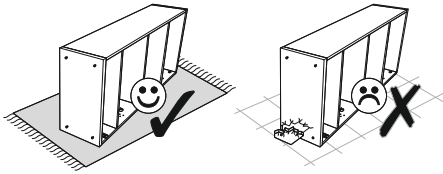




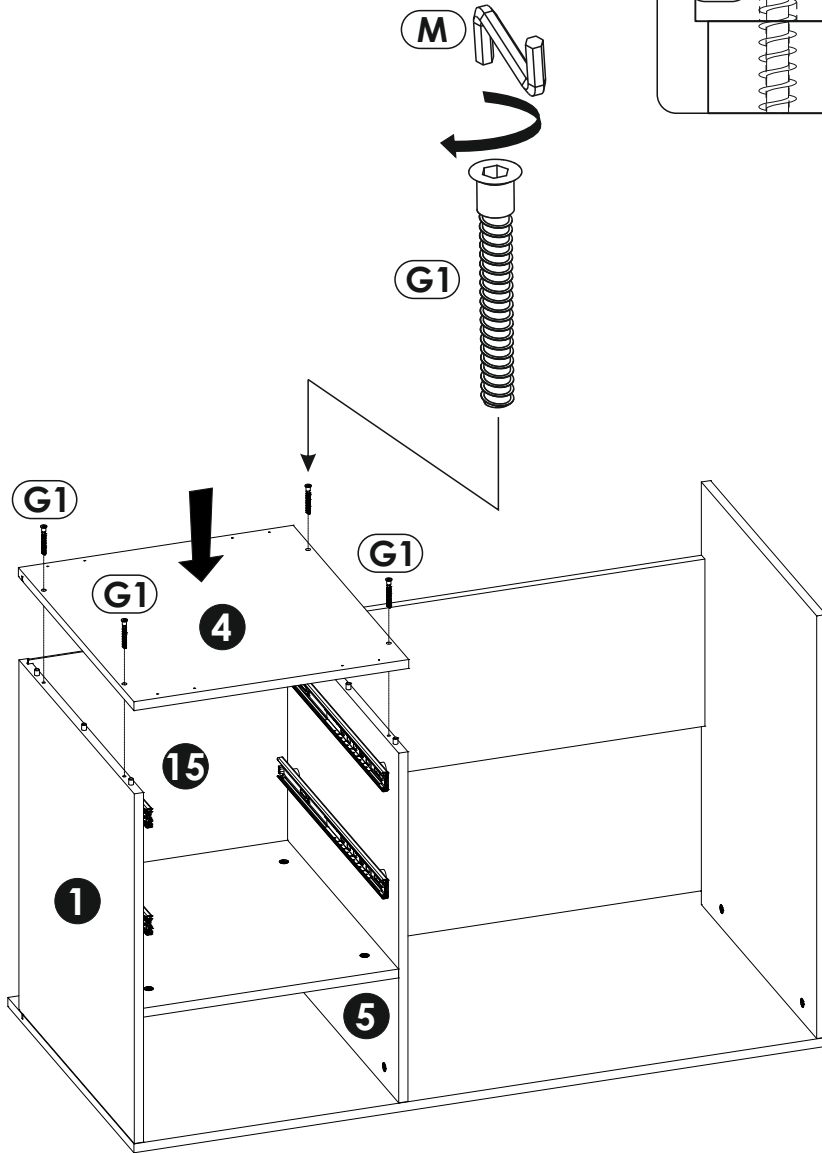
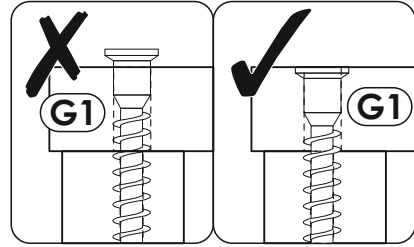
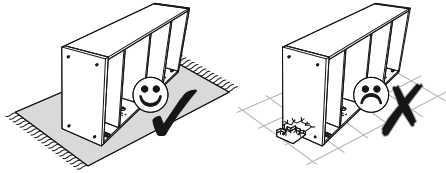
12▶

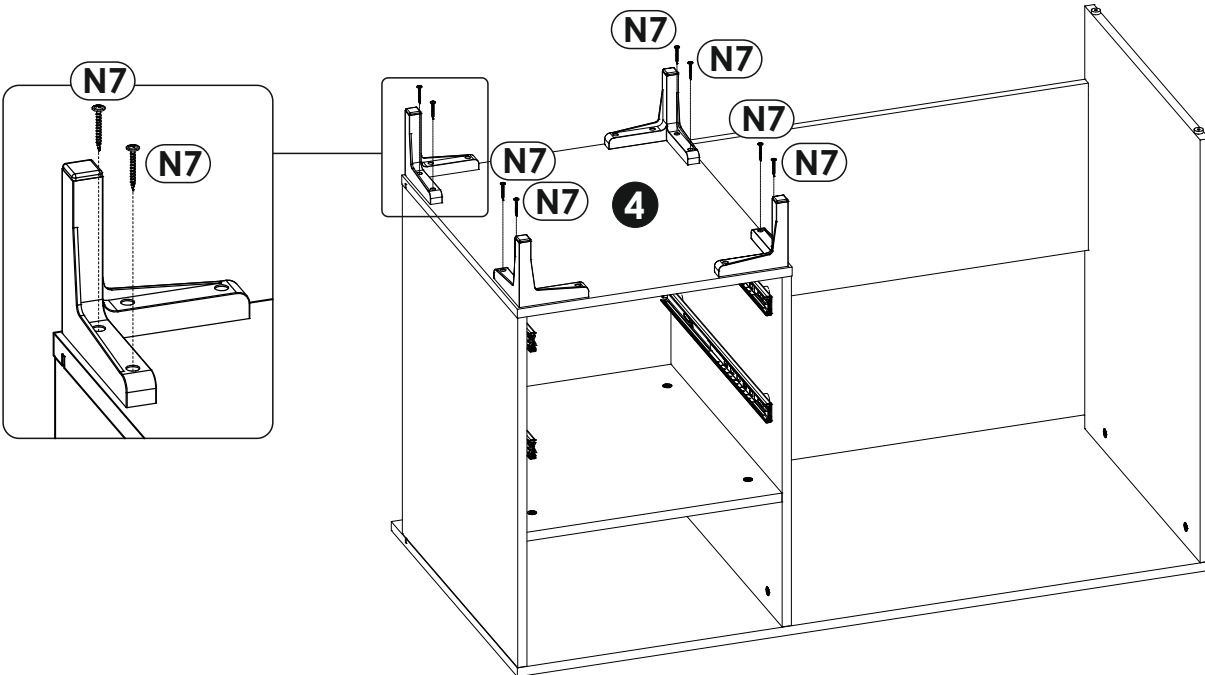
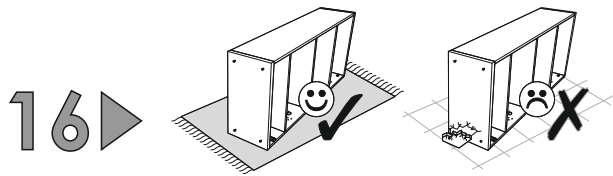
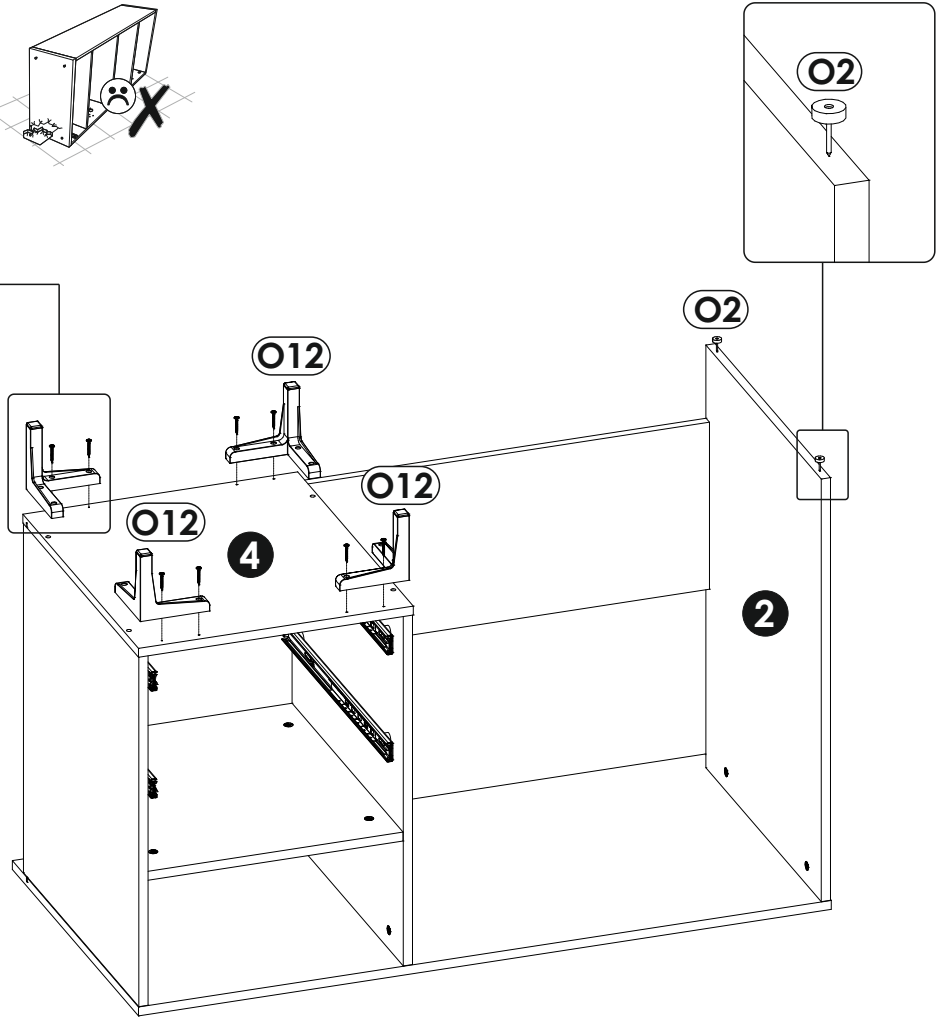
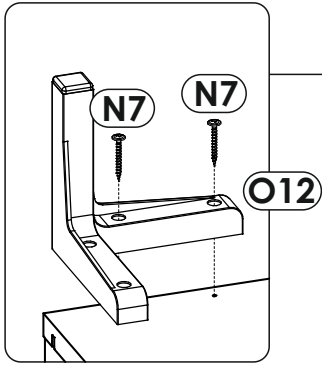
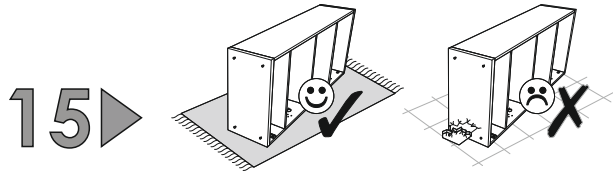


13▶

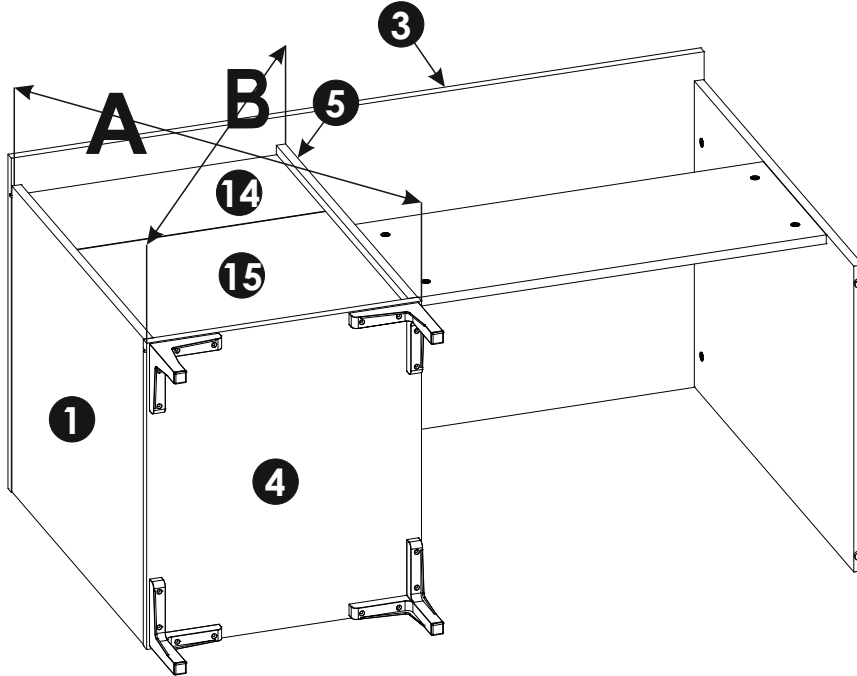
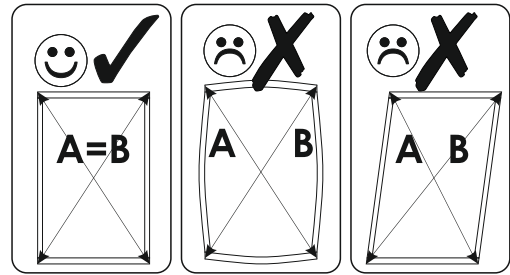
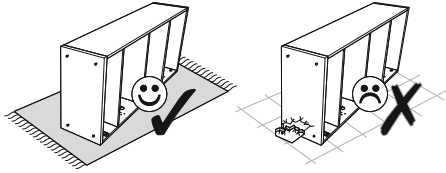


14▶▶

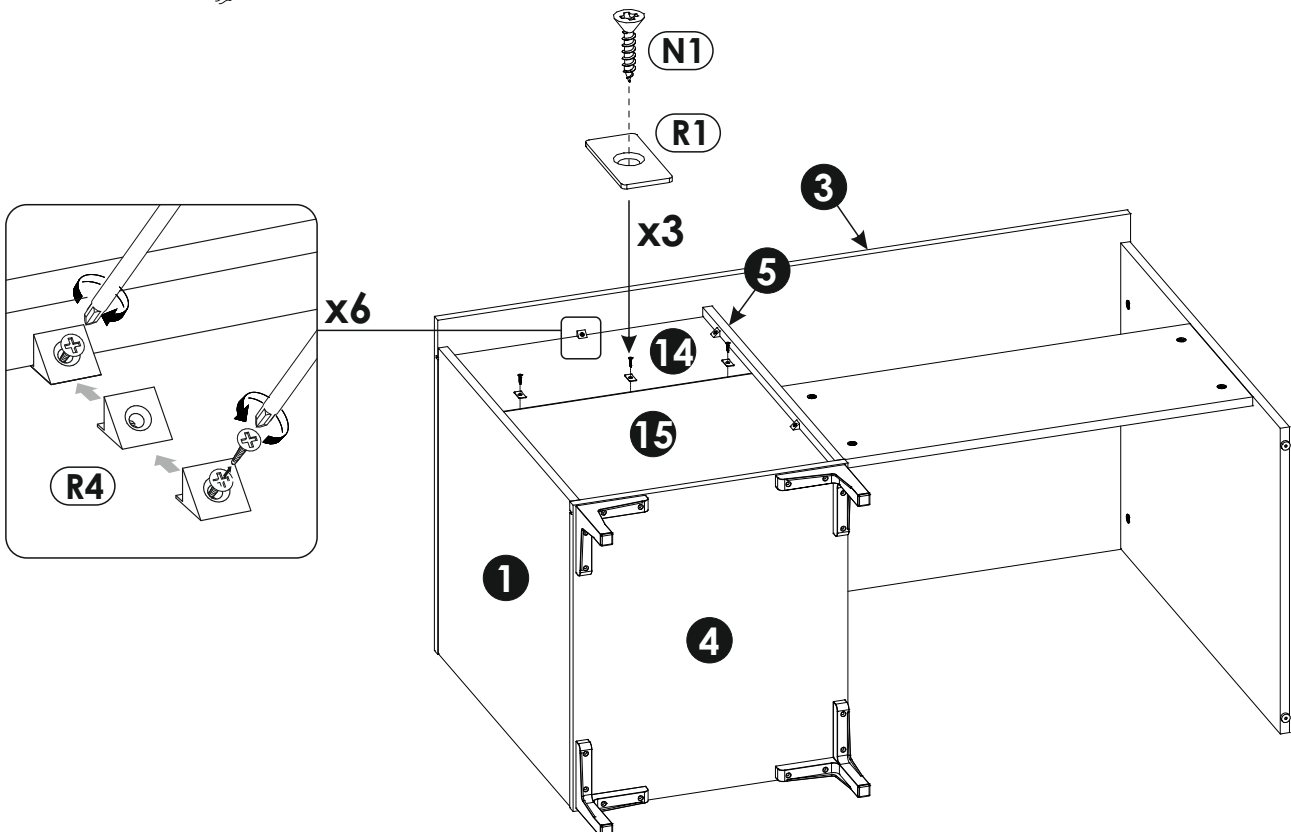
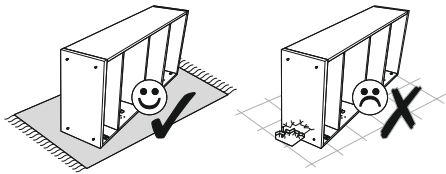


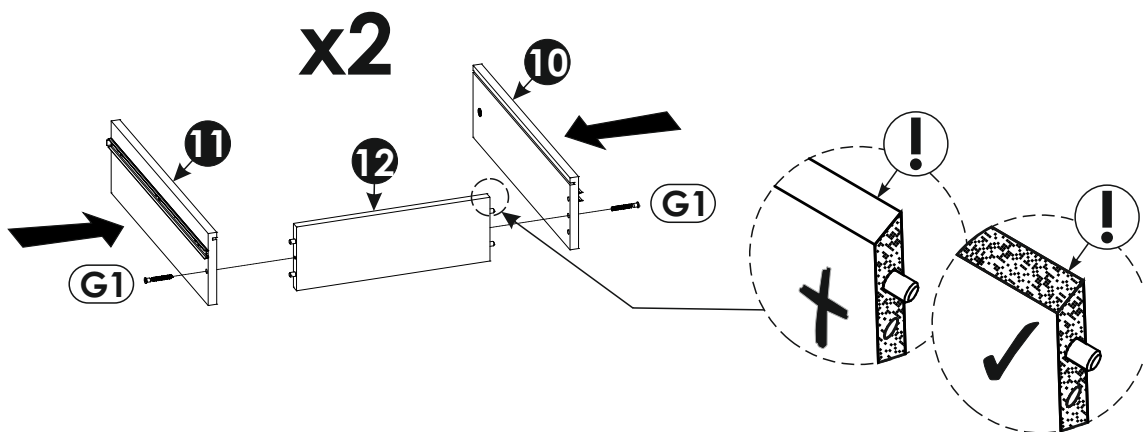
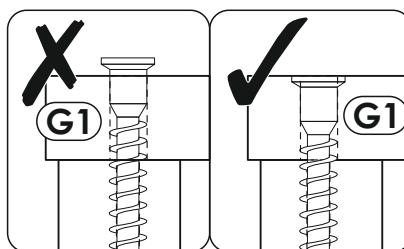
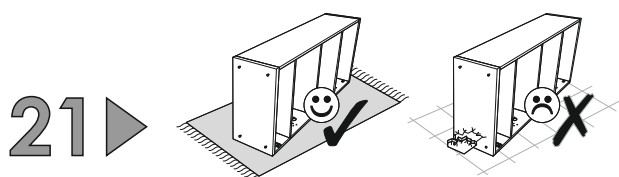
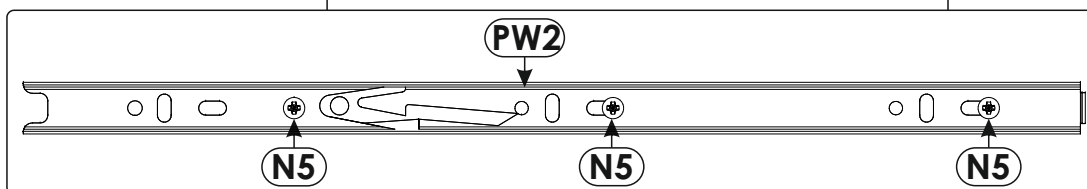
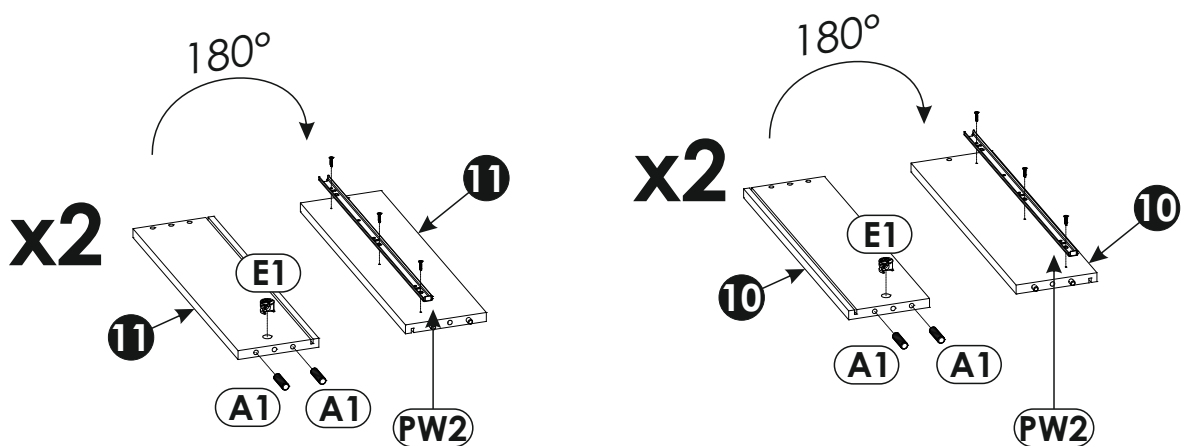
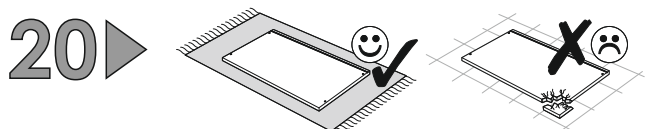
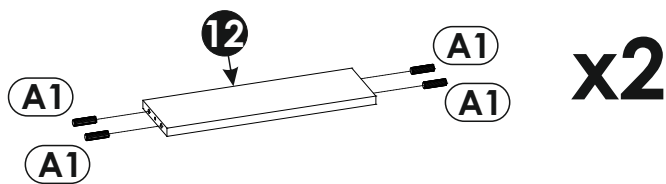
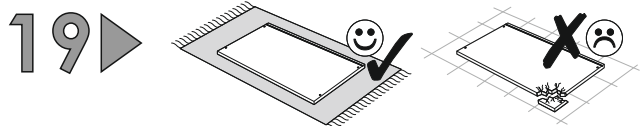


17 ▶

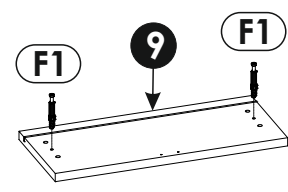
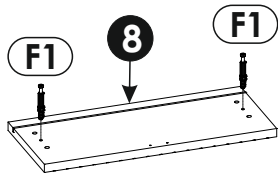
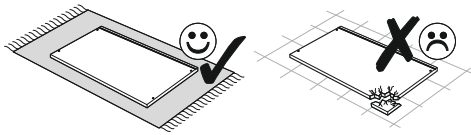


18 ▶

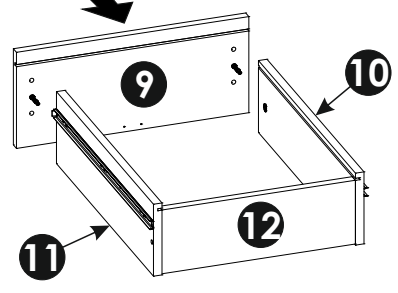
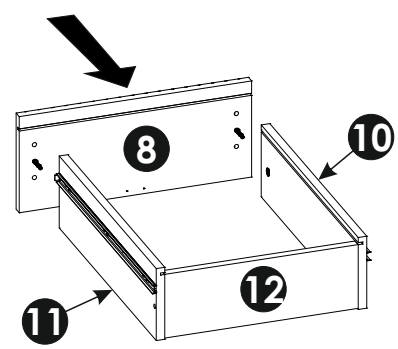
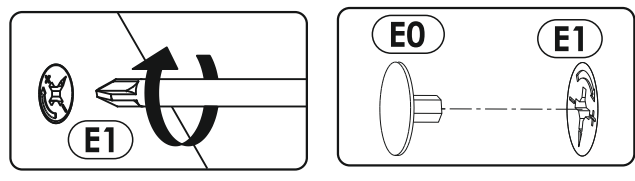
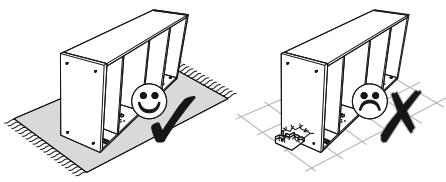




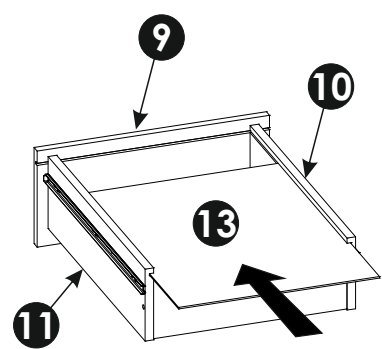
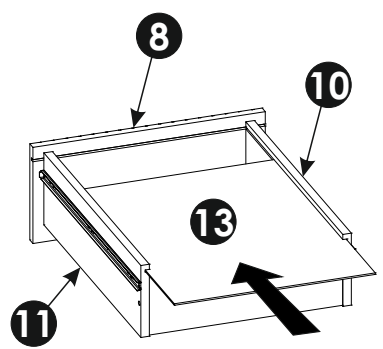
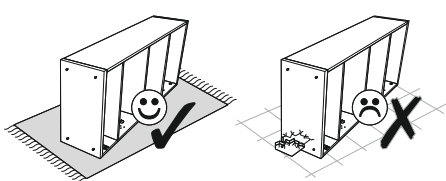
22 ▶



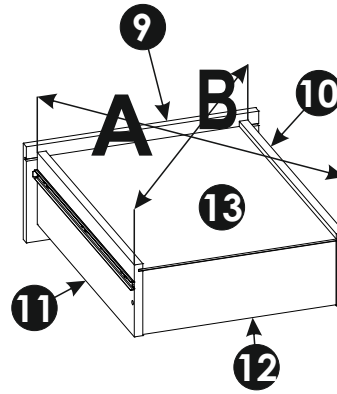
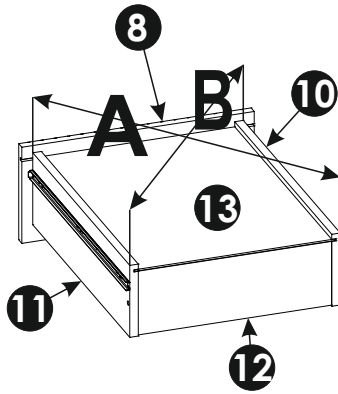
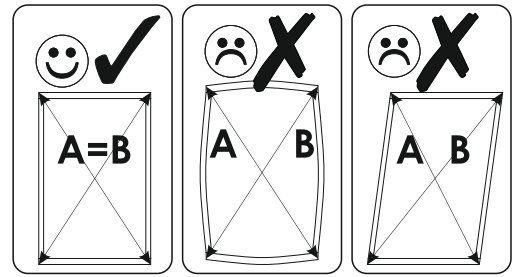
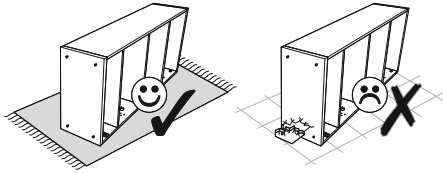
23 ▶



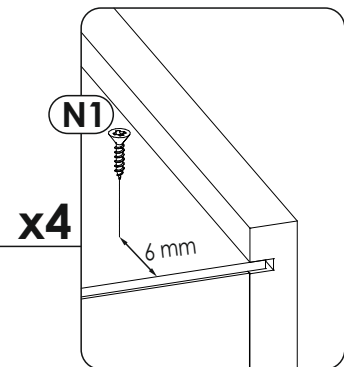
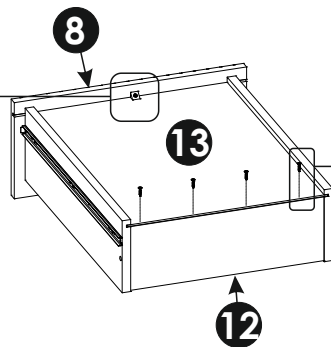
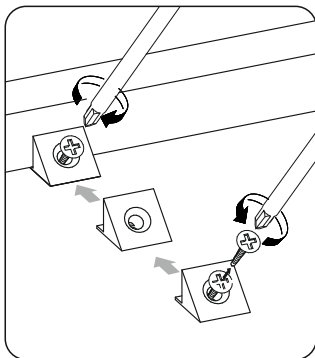
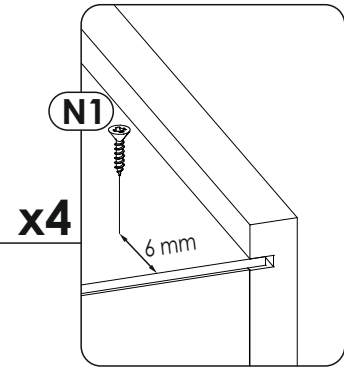
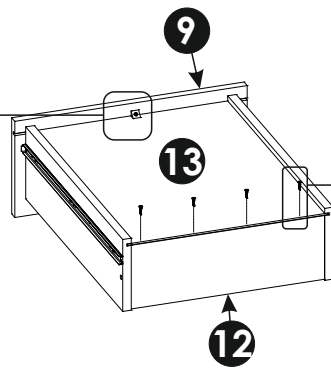
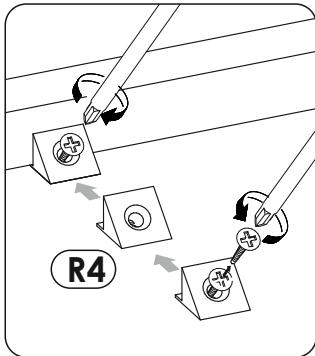
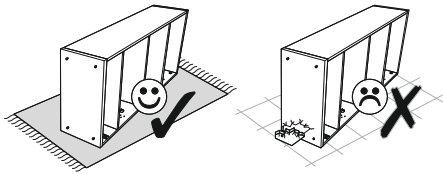
24 ▶



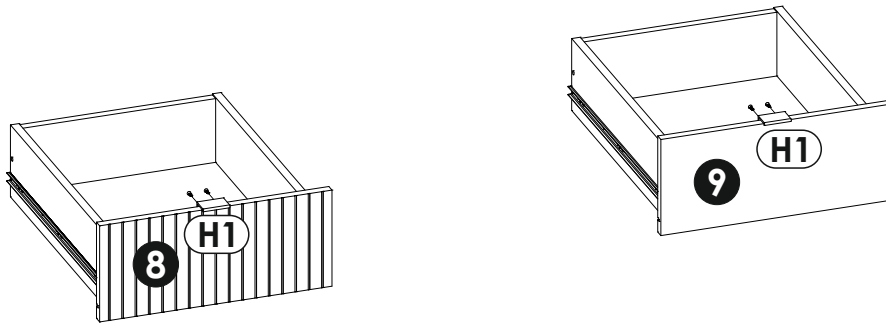
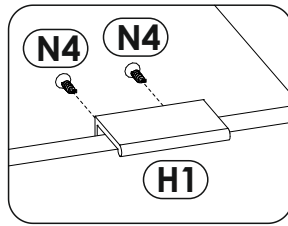
25 ▶



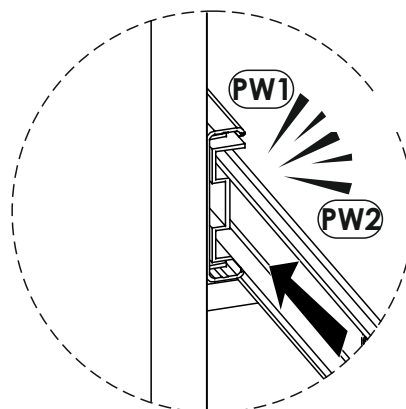
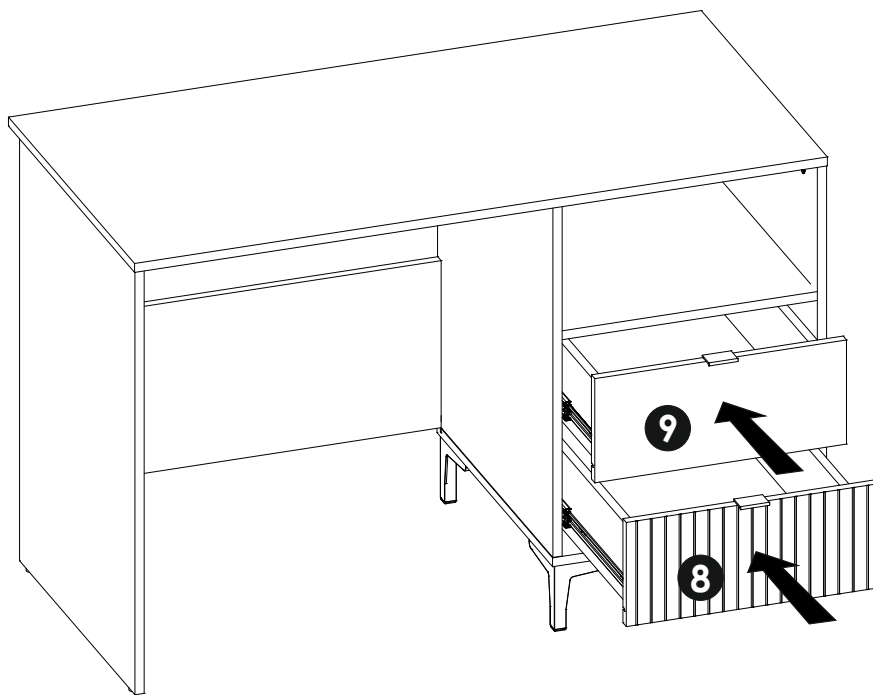
26 ▶



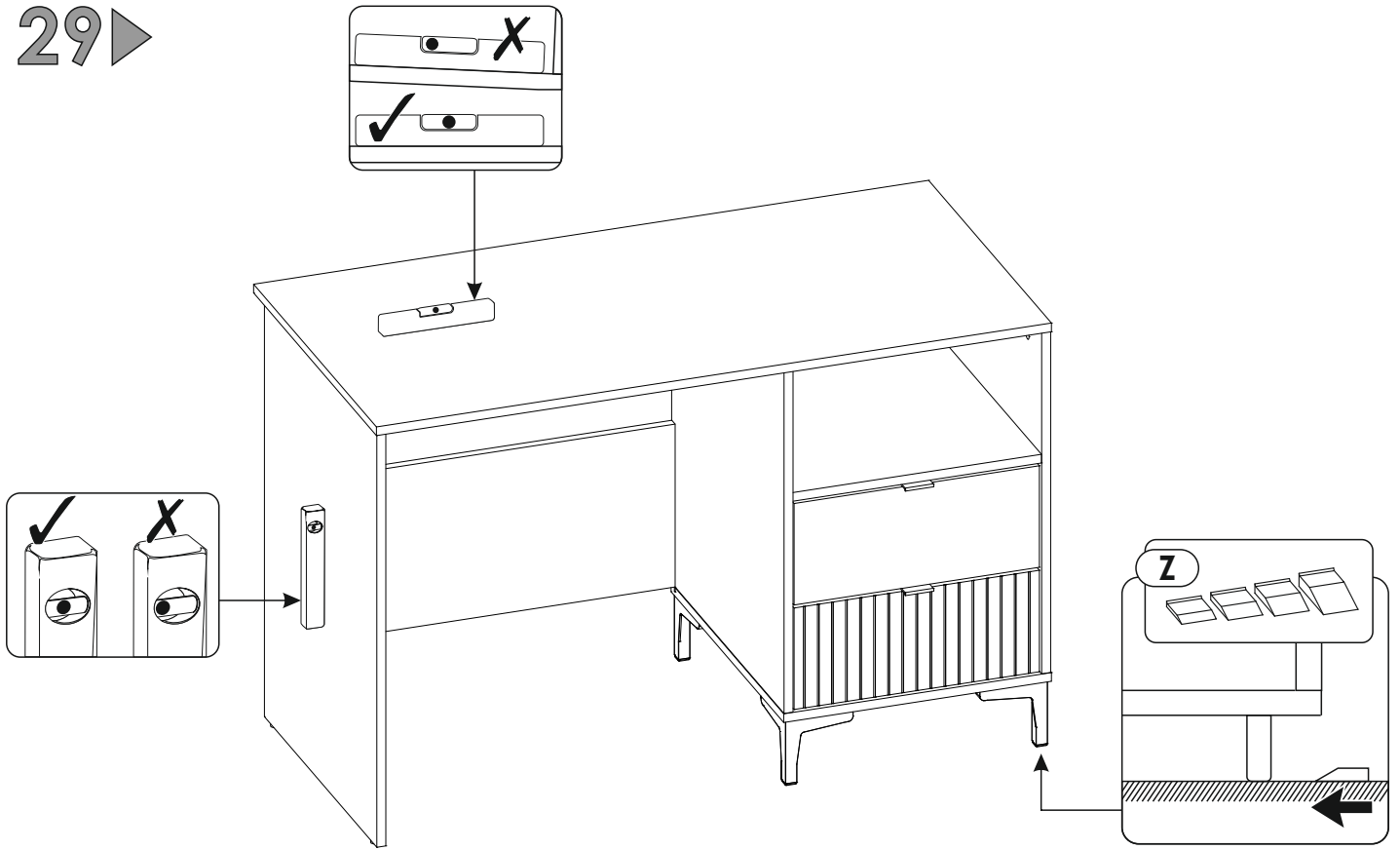
27▶



28▶



29 ▶



30 ▶

