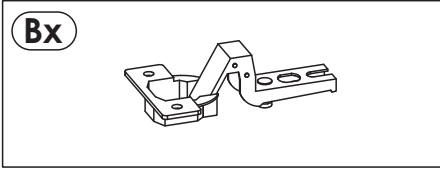
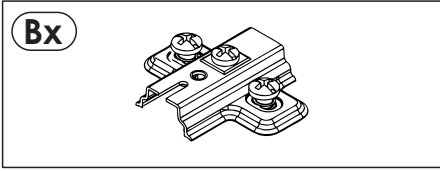
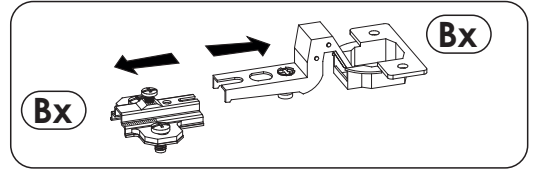
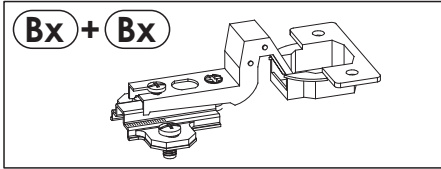


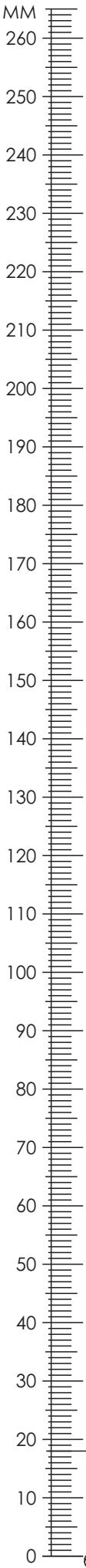



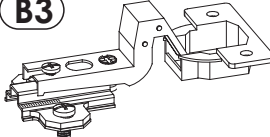
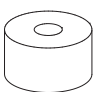
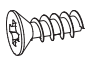

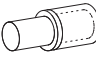
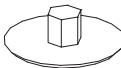

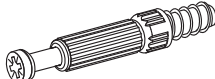
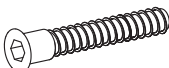
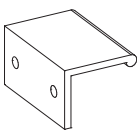
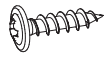
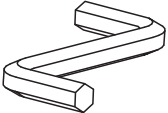




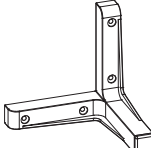
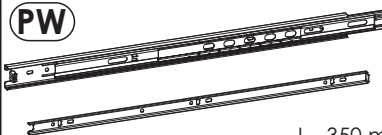
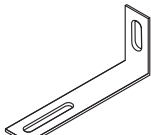
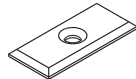
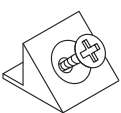
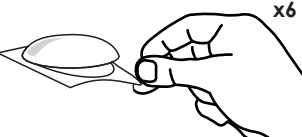
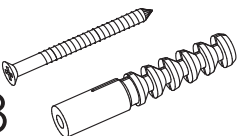
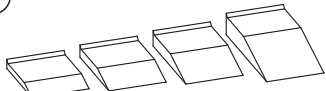
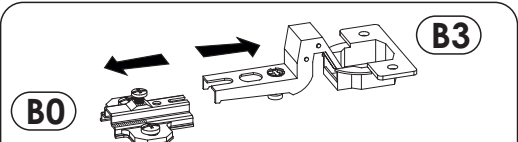
A

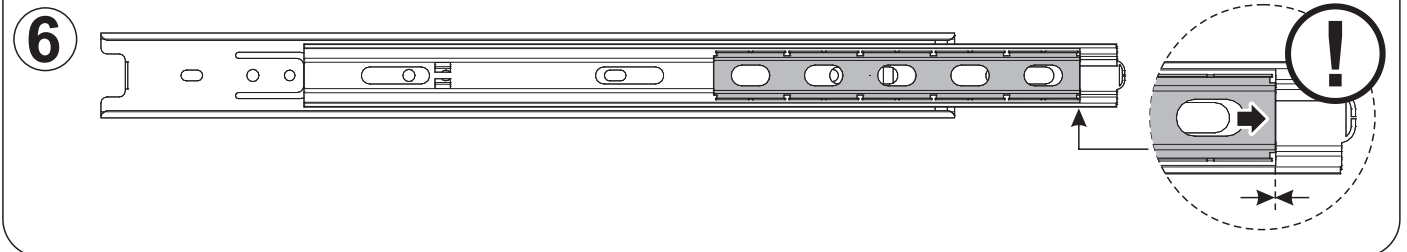
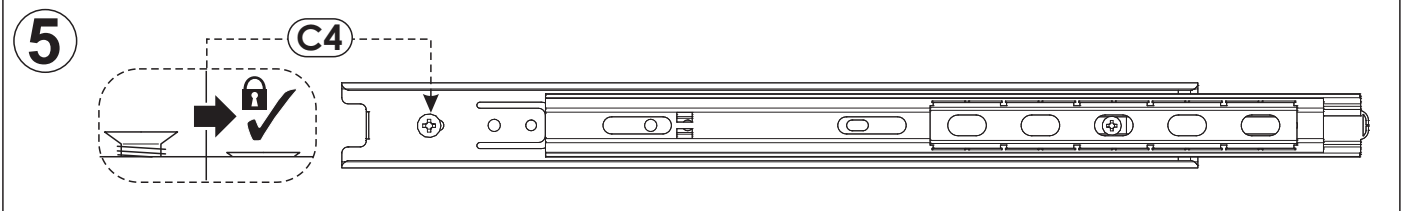
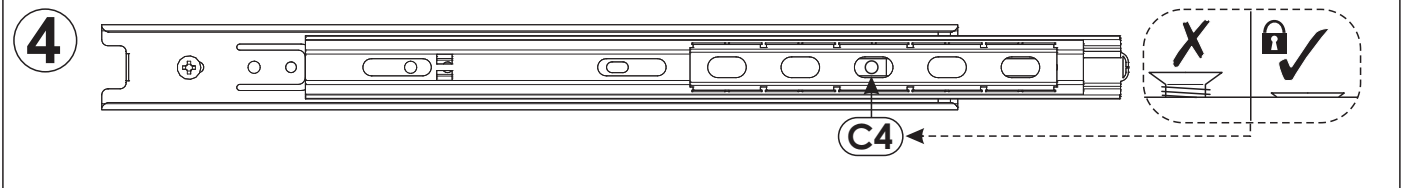
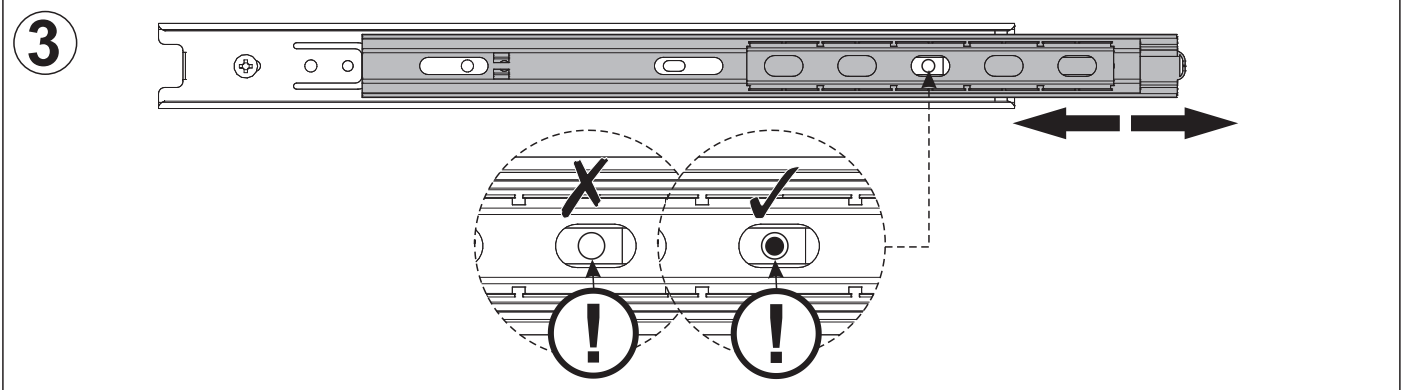
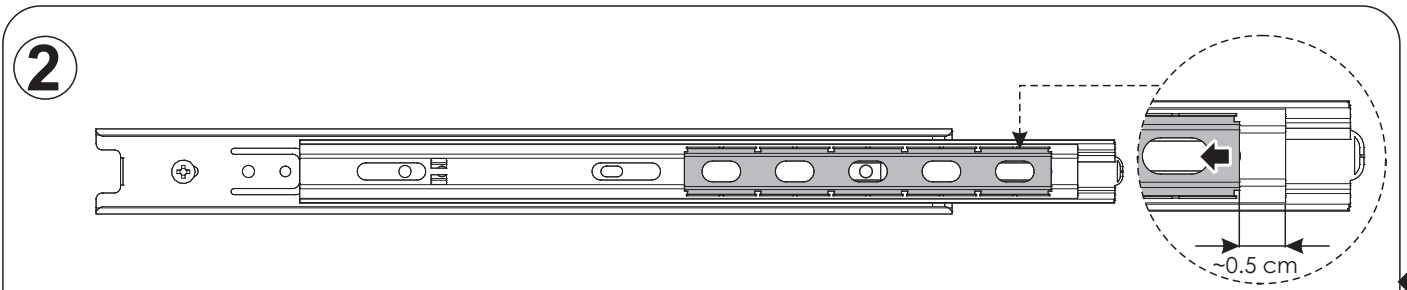
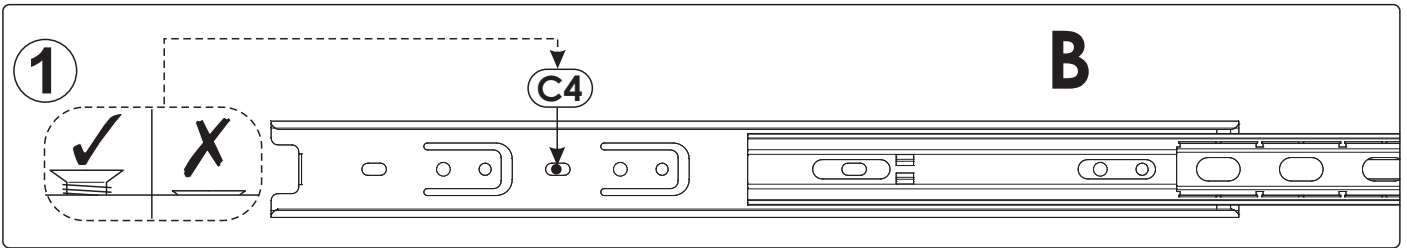
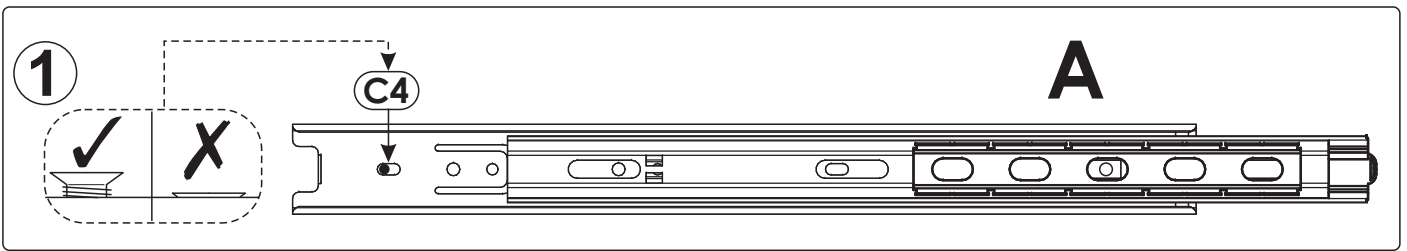


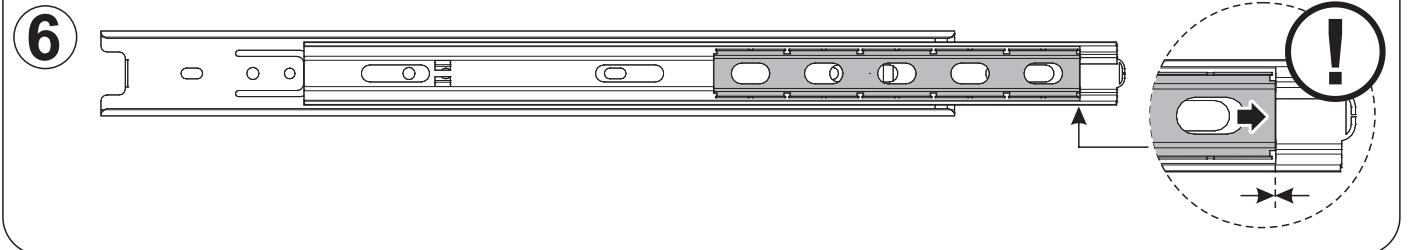
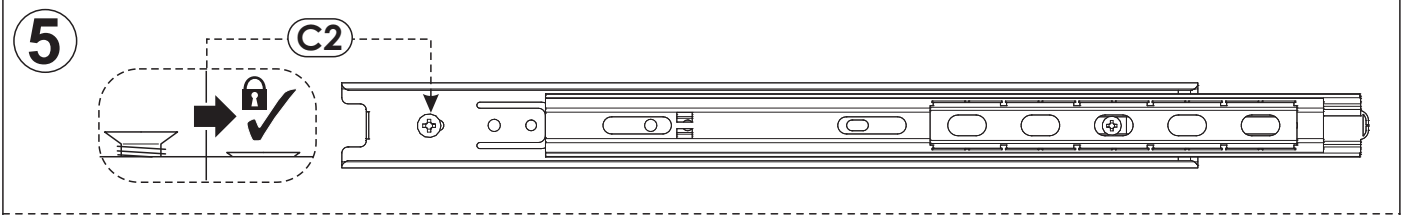
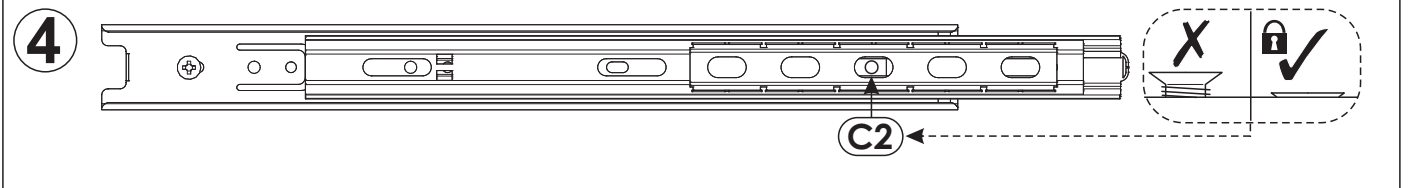
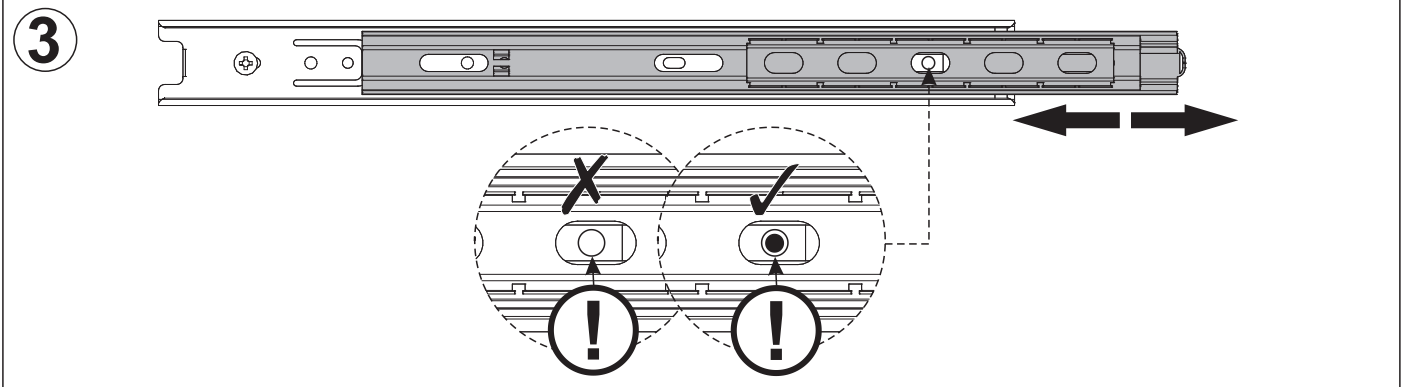
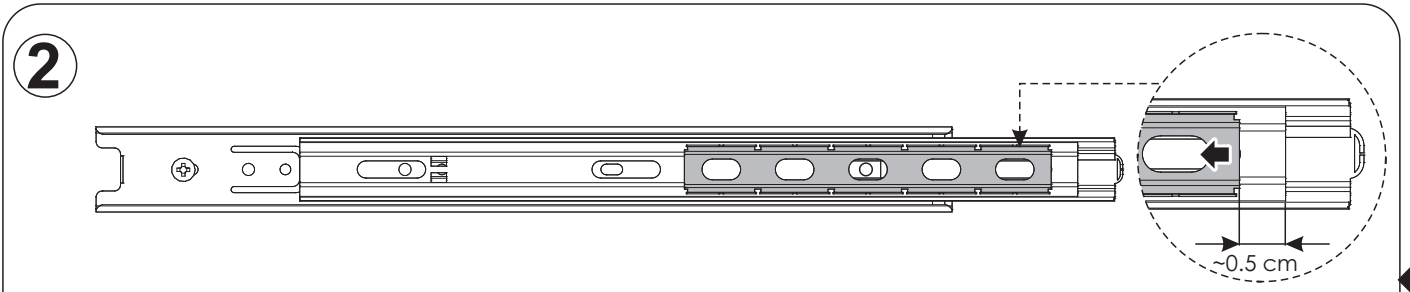
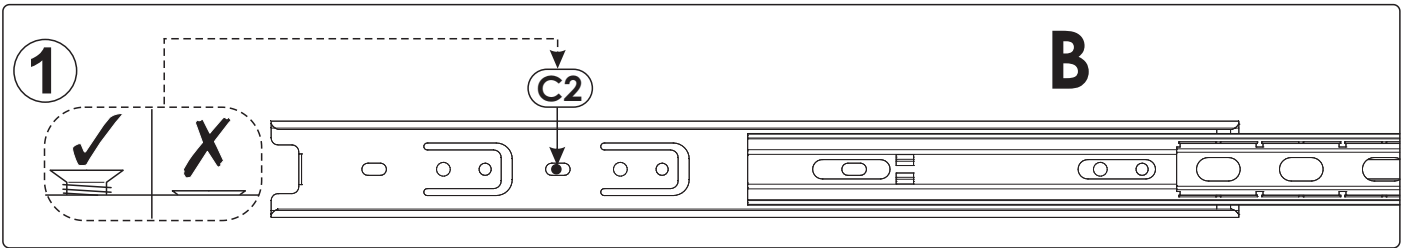
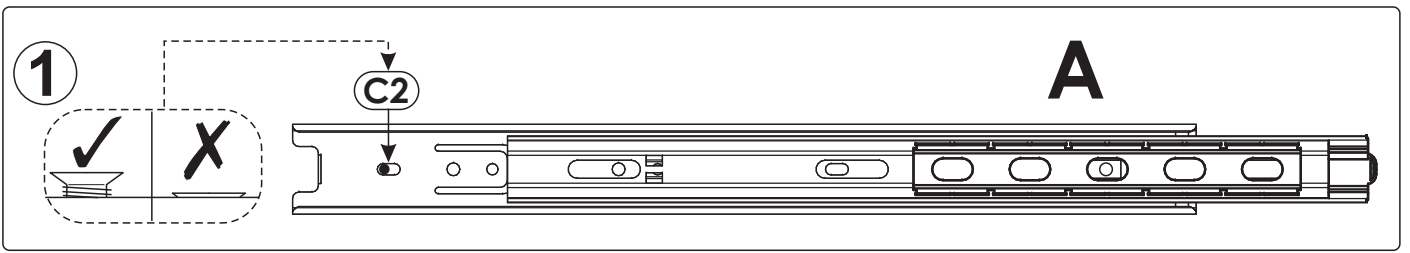
B

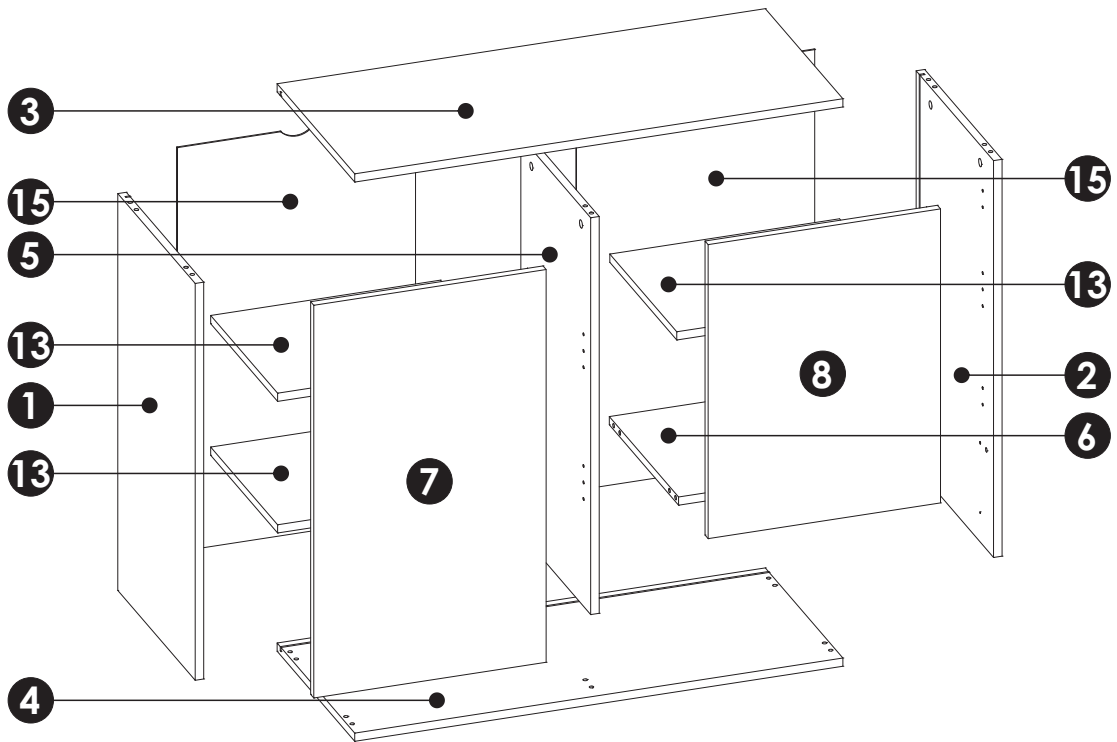
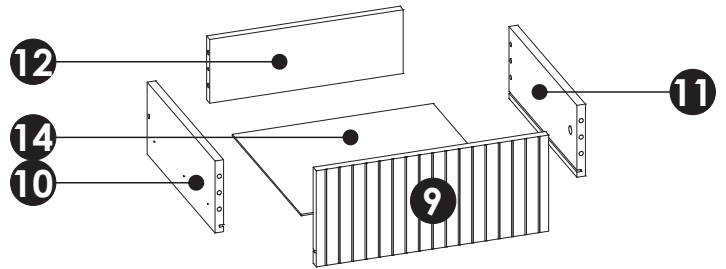
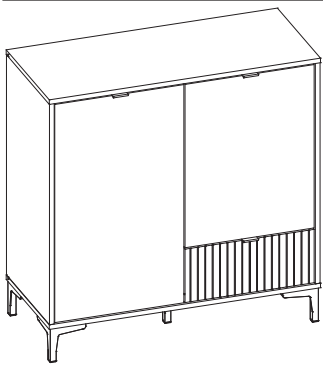




A1 8 x 35 mm x24 	B0 + B3 x4 	BD H - 11 mm x2 
C2 5 x 13 mm x10 	C4 5 x 20 mm x2 	D2 x12 
E0 Ø16 x8 	E1 15 x 12 mm x12 	F1 6 x 34 mm x12 
G1 7 x 50 mm x8 	H1 L - 50 mm x3 	I2 4 x 16 mm x2 
M x1 	N1 3 x 16 mm x10 	N4 3,5 x 13 mm x6 
N5 3,5 x 16 mm x6 	N7 3,5 x 30 mm x20 	O12 x5 
PW L - 350 mm x2 	Q9 x2 	R1 x5 
R4 x9 	R8 x6 	S13 Ø8 x2 
Z x1 		

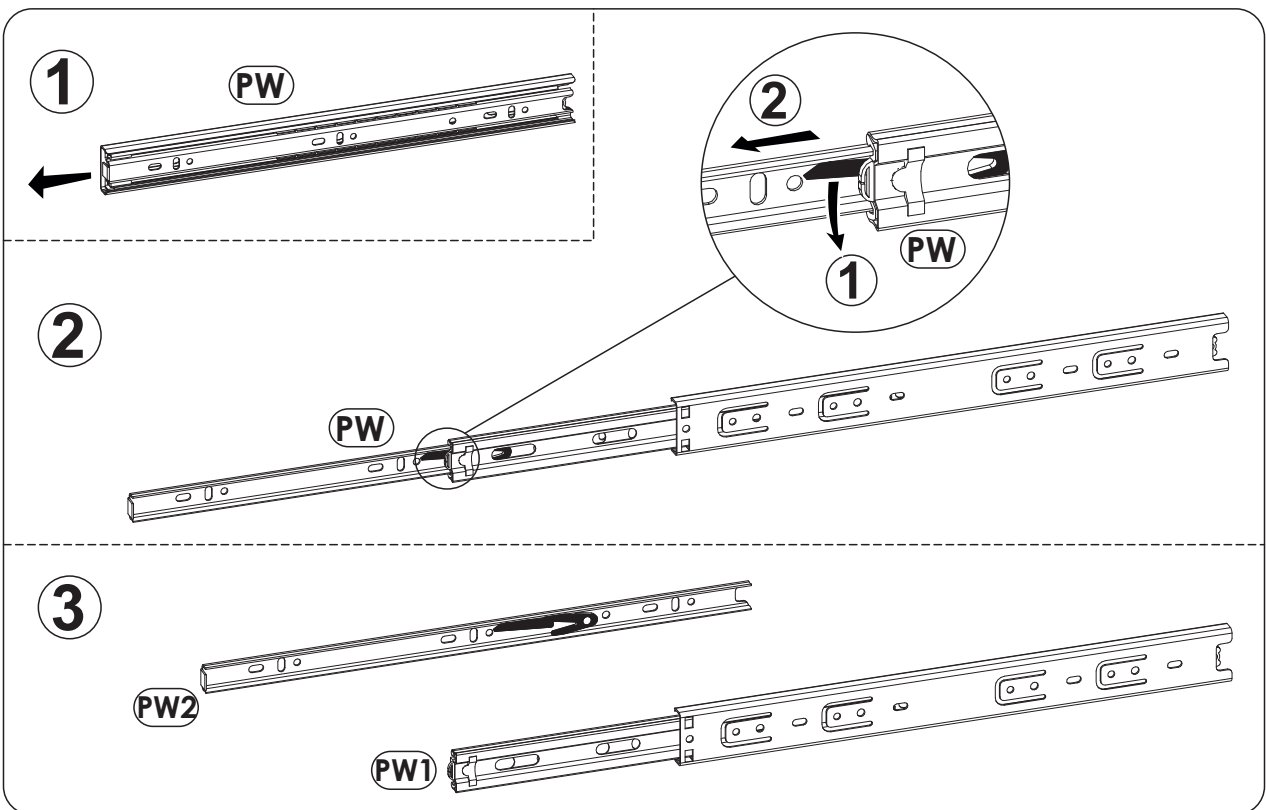
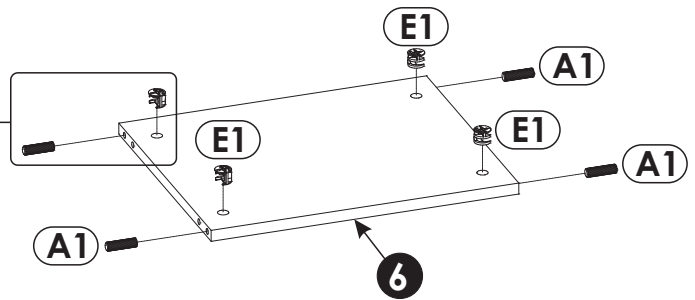
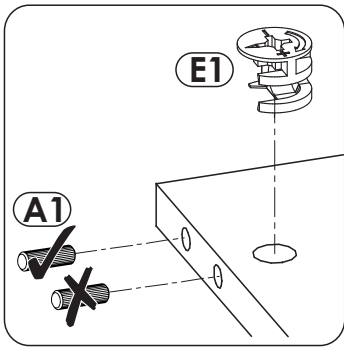
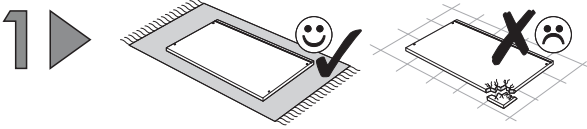
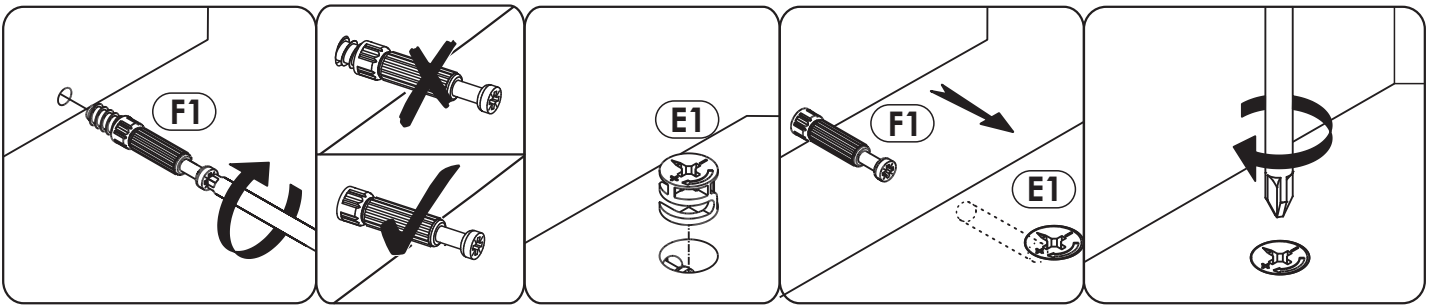


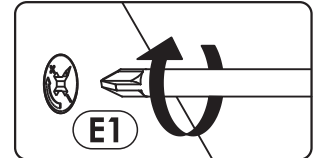
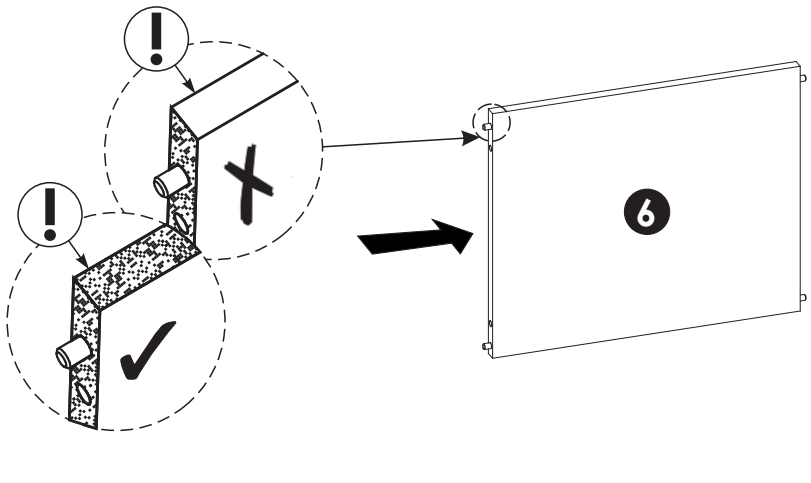
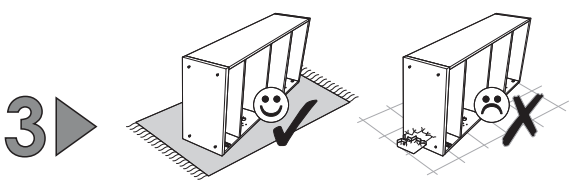
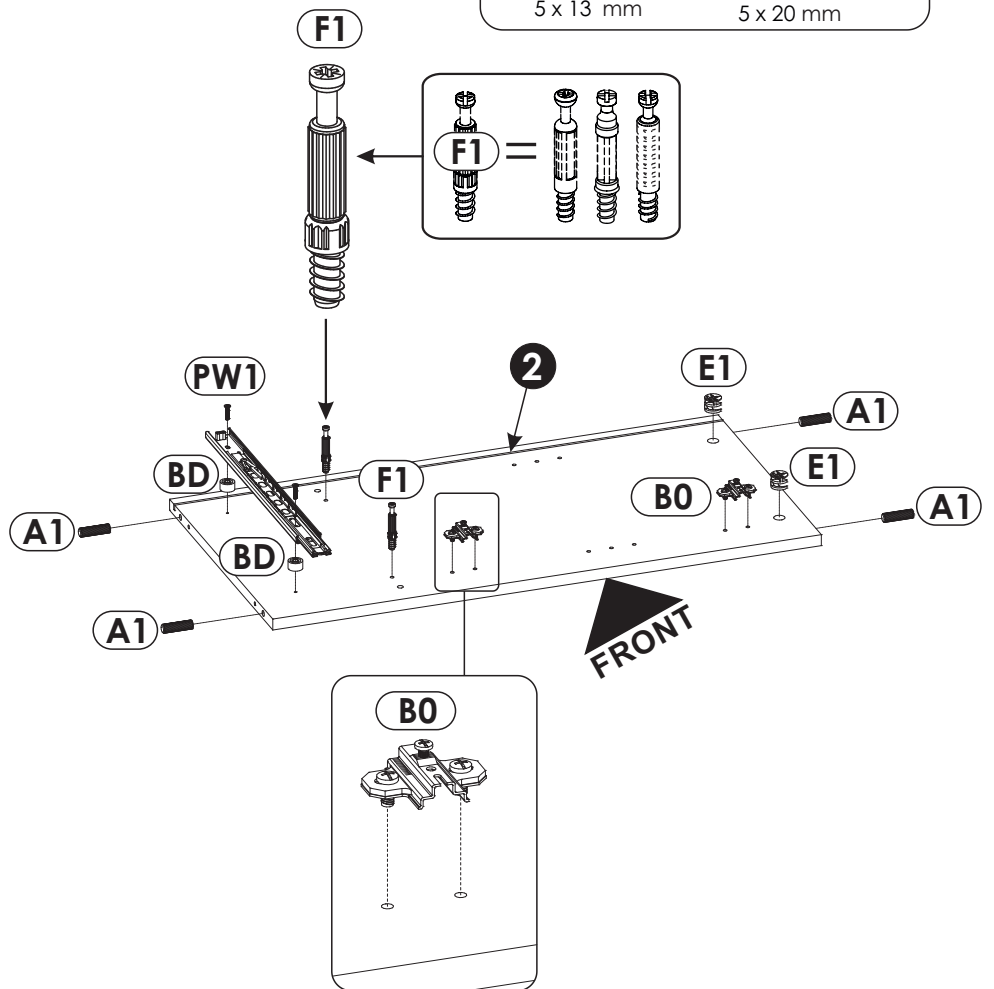
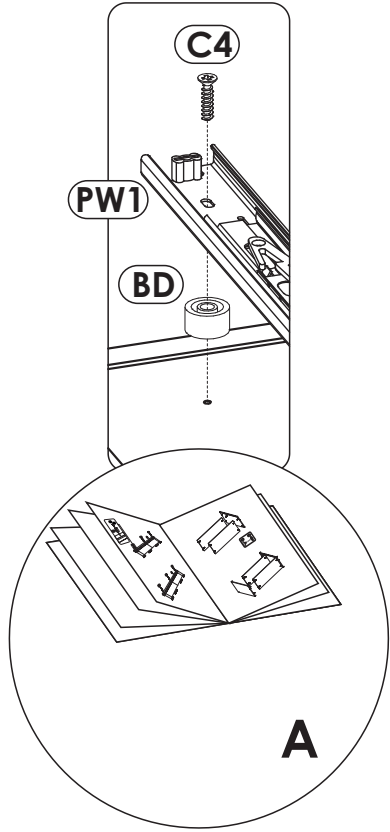
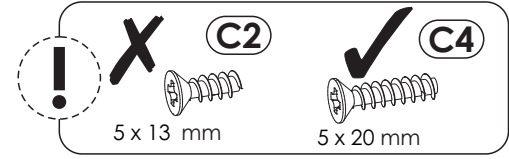
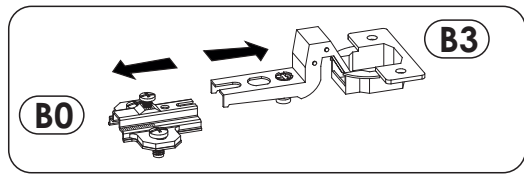
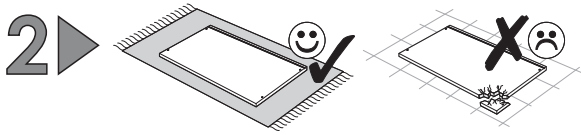


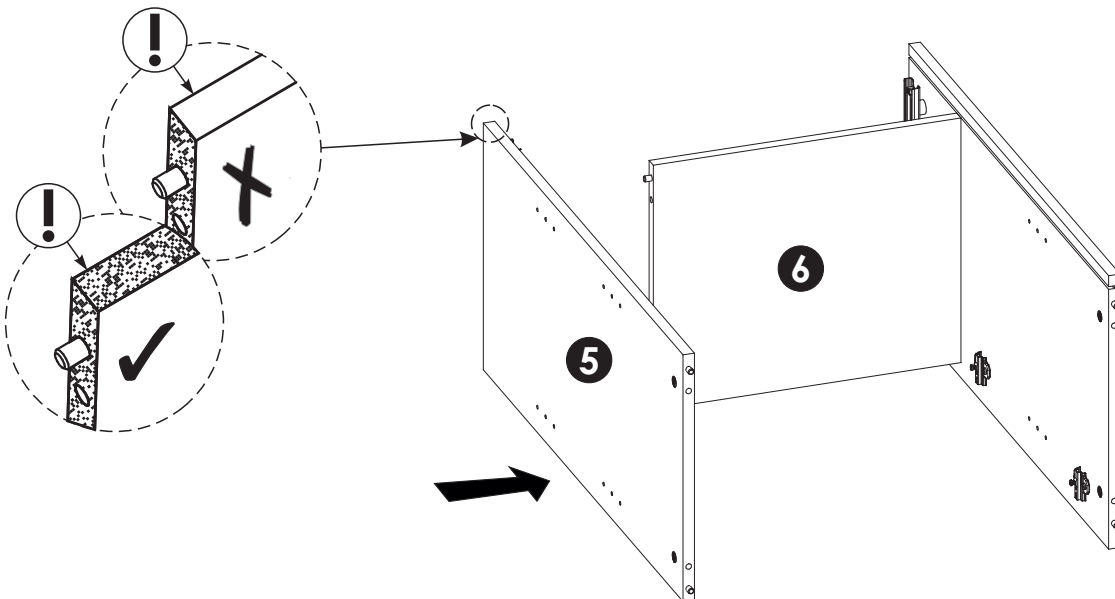
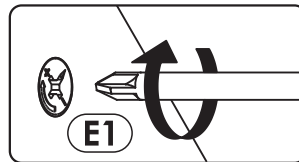
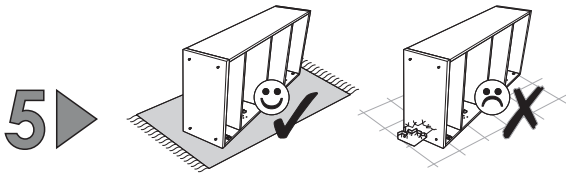
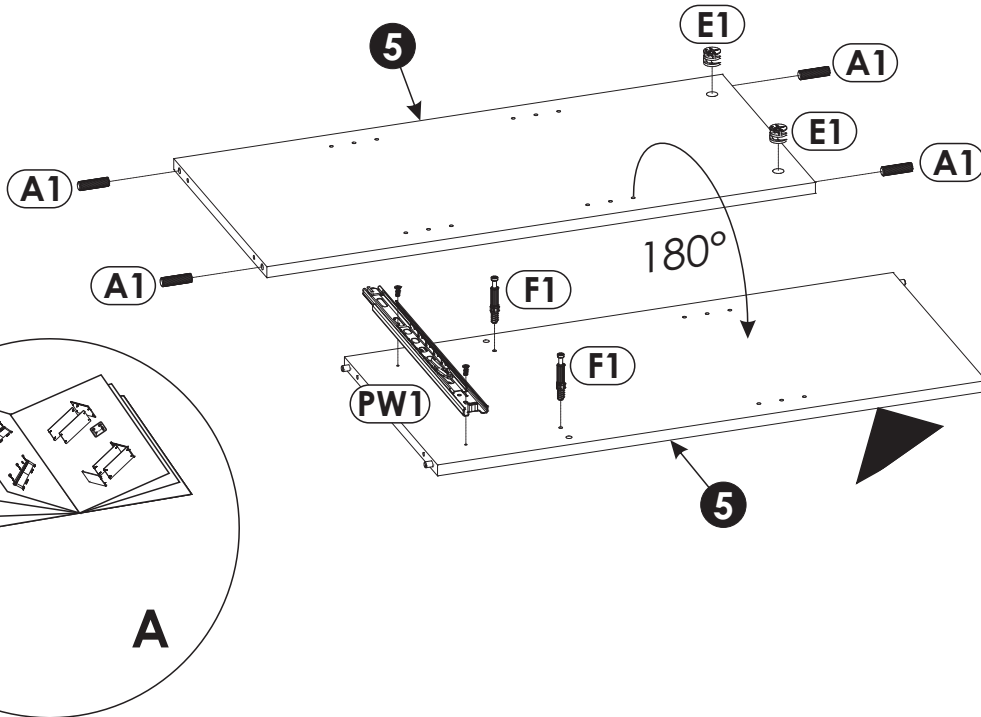
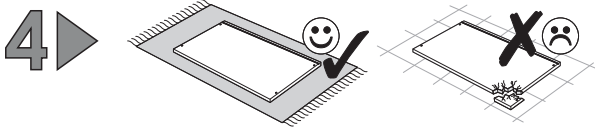


1	772	399	16	x1	1/2
2	772	399	16	x1	1/2
3	916	400	16	x1	1/2
4	916	400	16	x1	1/2
5	772	360	16	x1	2/2
6	433	357	16	x1	1/2
7	764	436	16	x1	2/2
8	571	436	16	x1	2/2

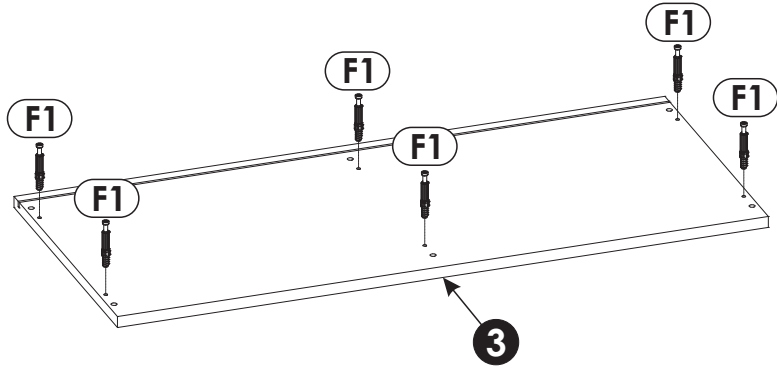
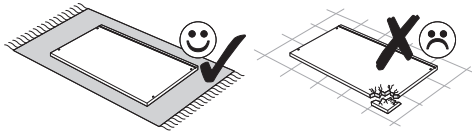
9	187	436	16	x1	2/2
10	350	140	16	x1	1/2
11	350	140	16	x1	1/2
12	363	124	16	x1	1/2
13	431	345	16	x3	1/2
14	377	355	3	x1	1/2
15	786	447	3	x2	2/2



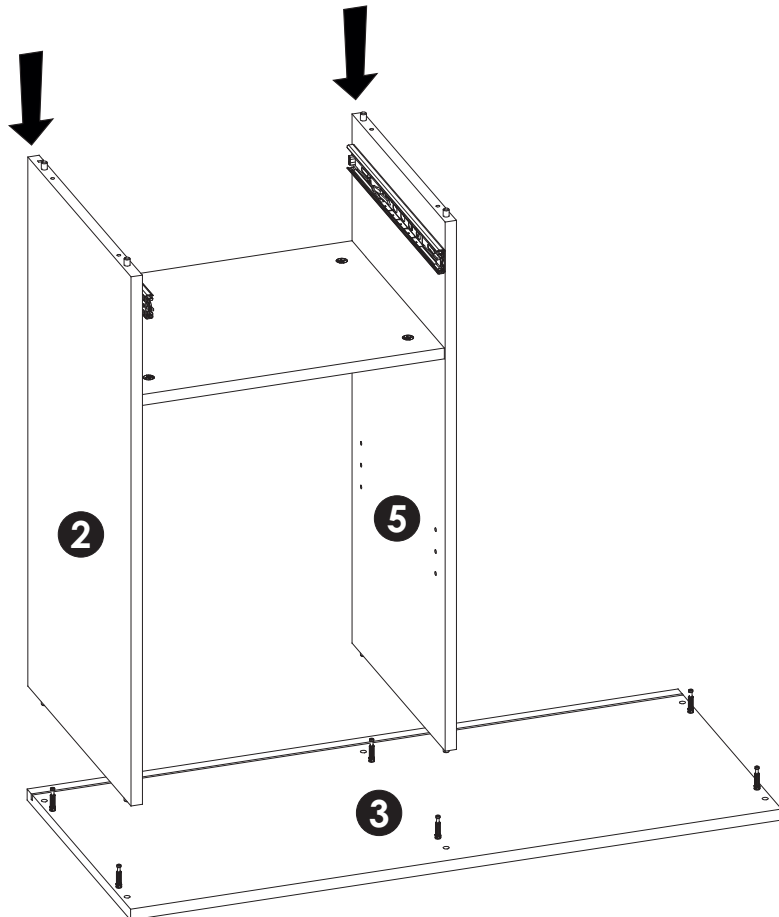
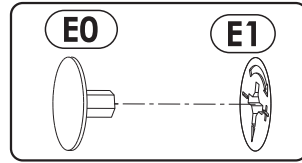
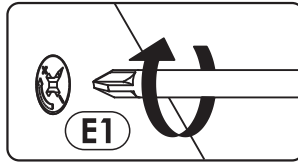
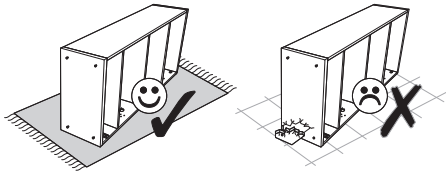




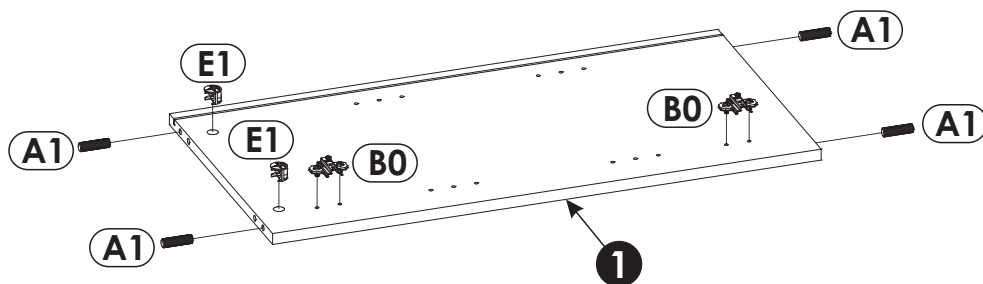
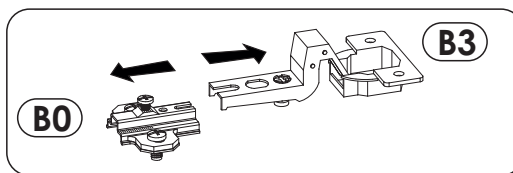
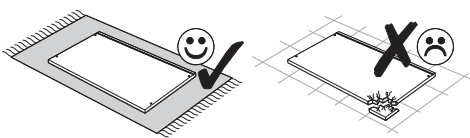
6 ▶



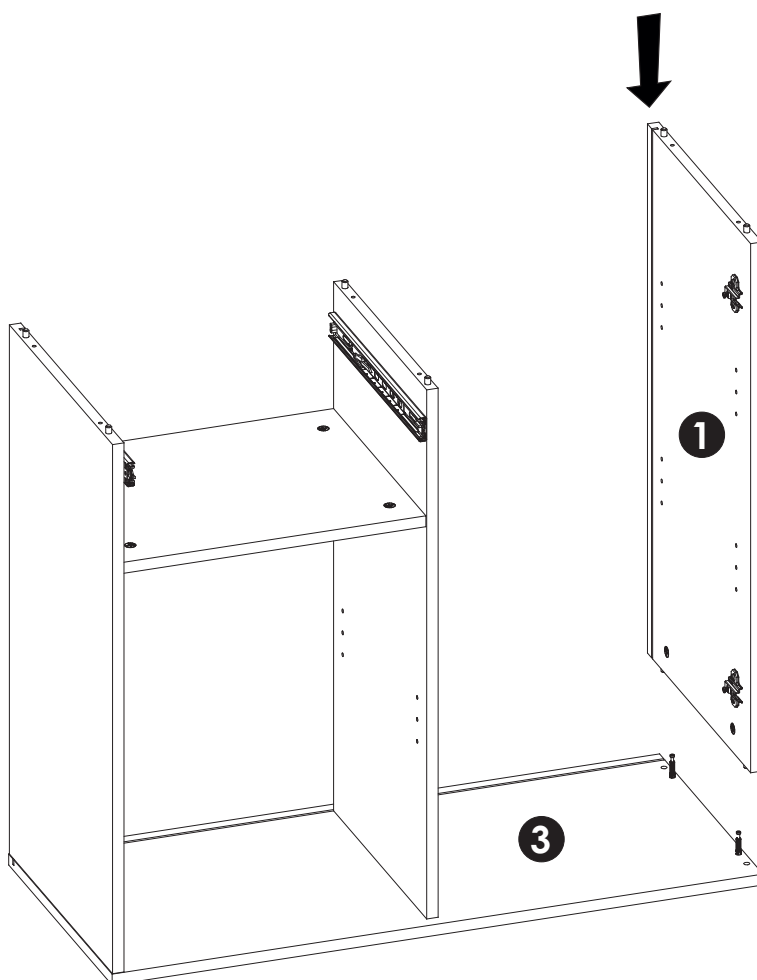
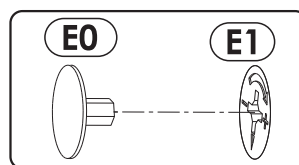
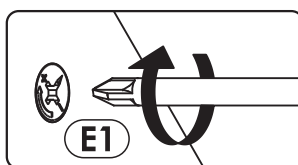
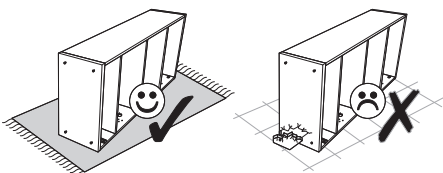
7 ▶

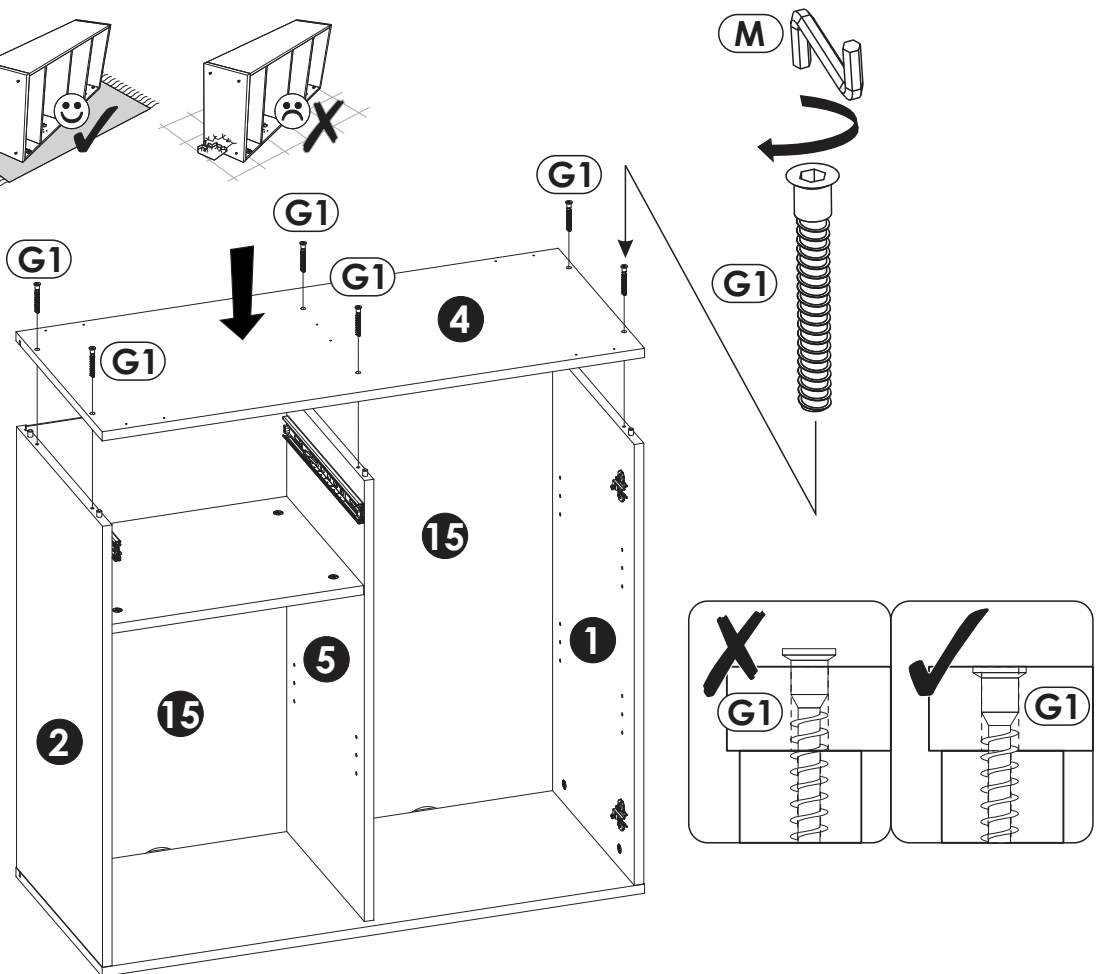
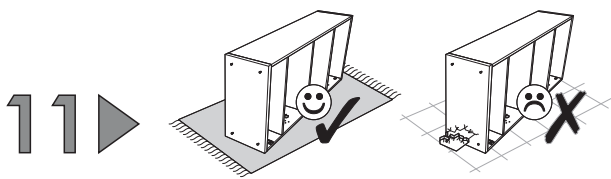
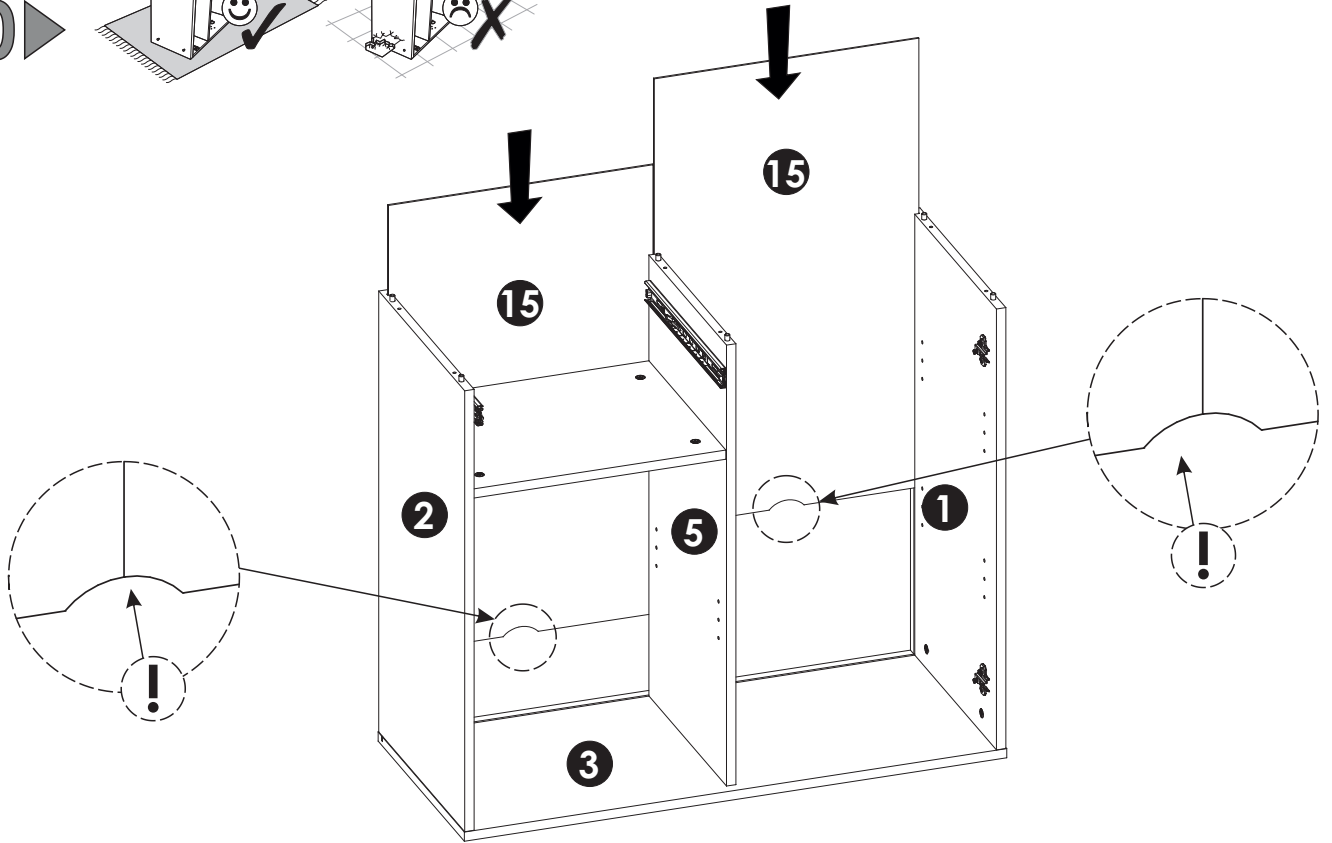
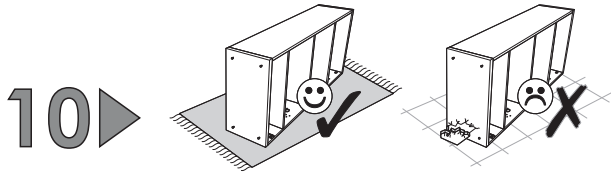


8 ▶

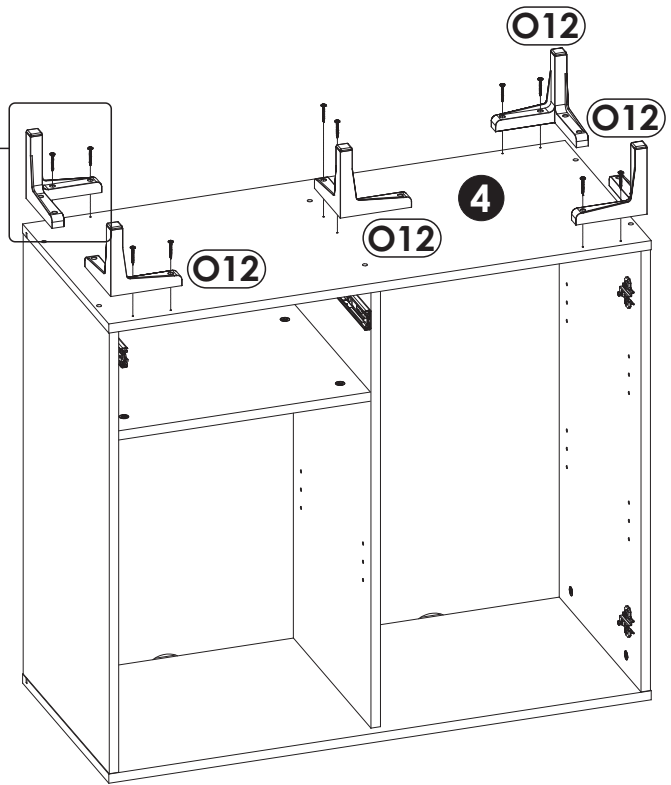
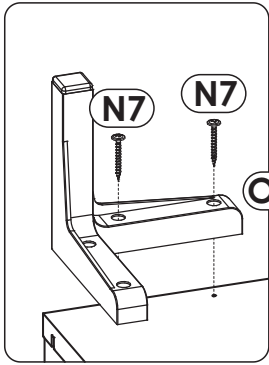
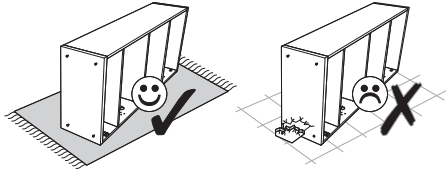


9 ▶

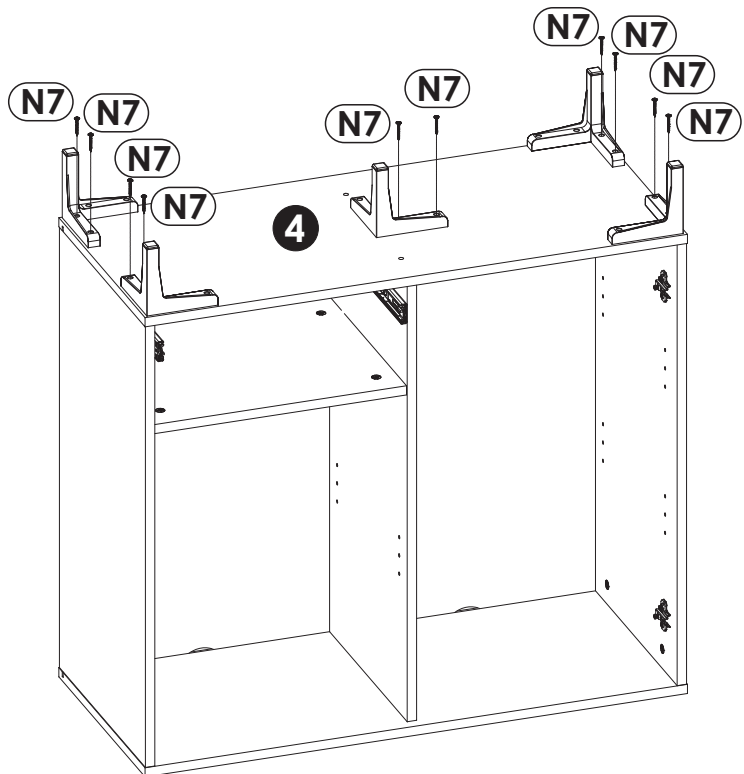
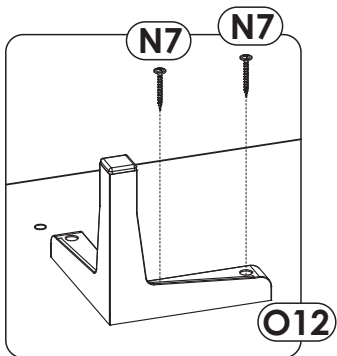
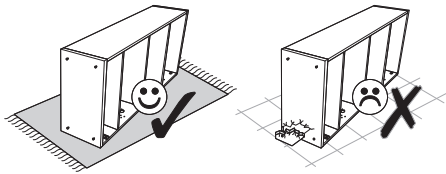




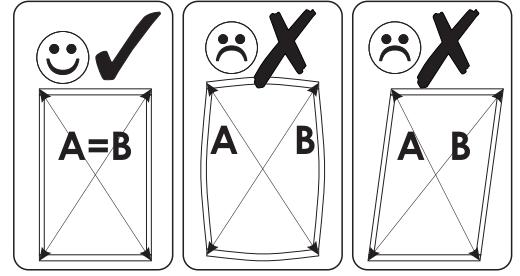
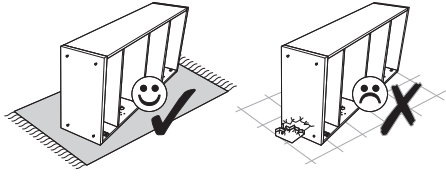
12 ▶



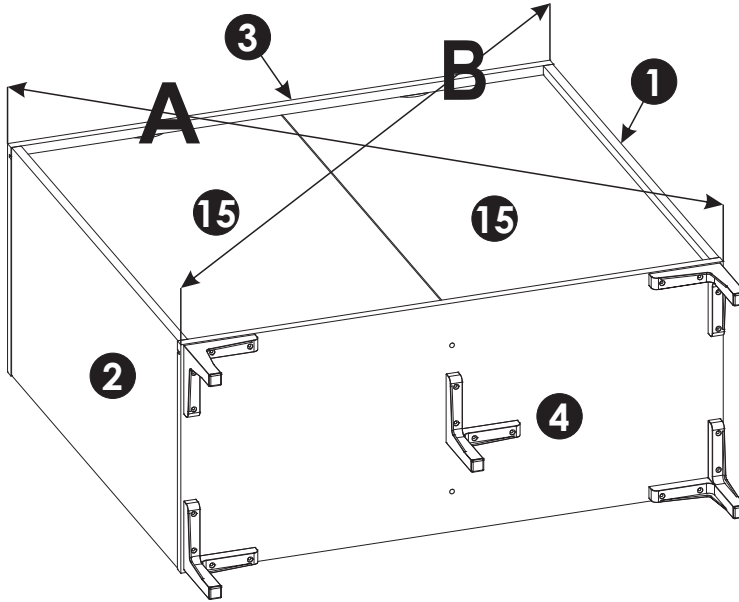
13 ▶



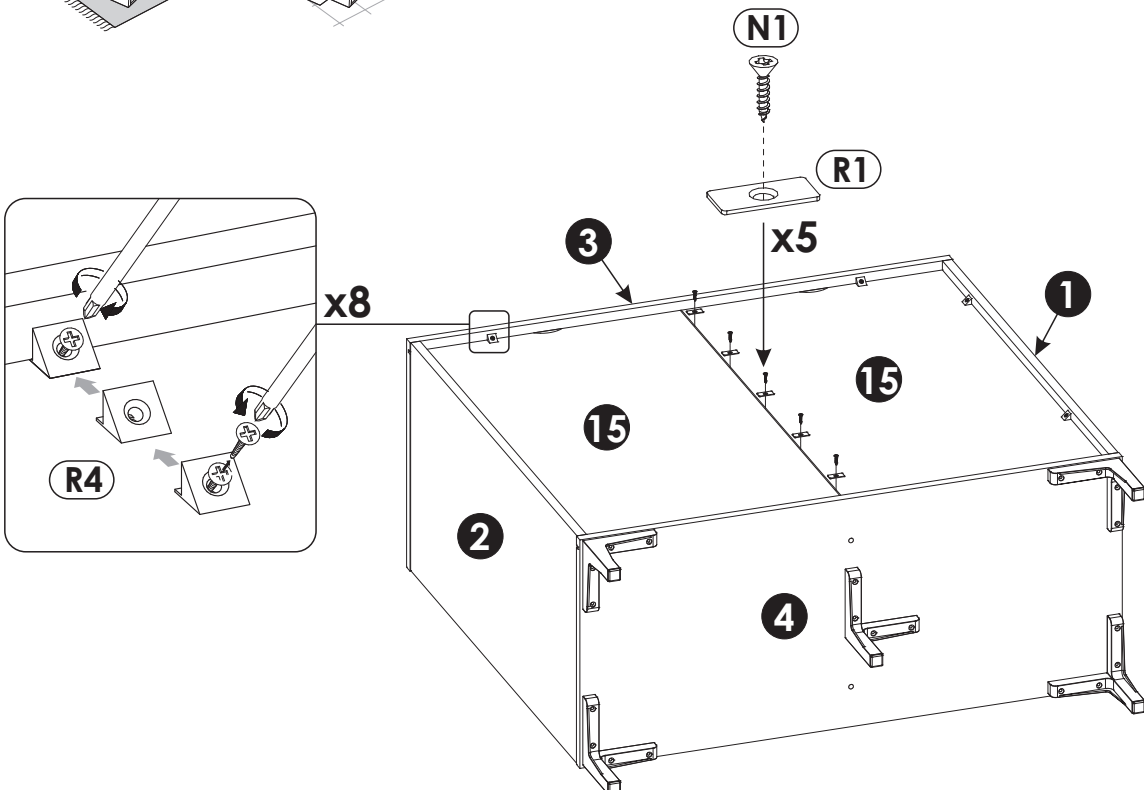
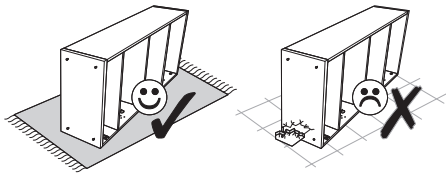
14▶

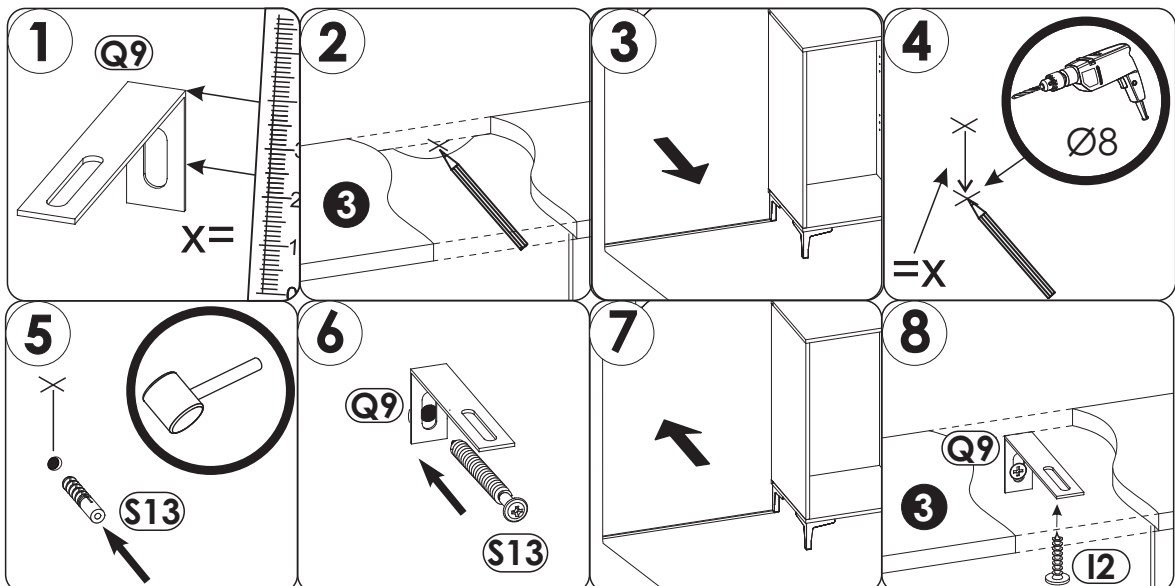
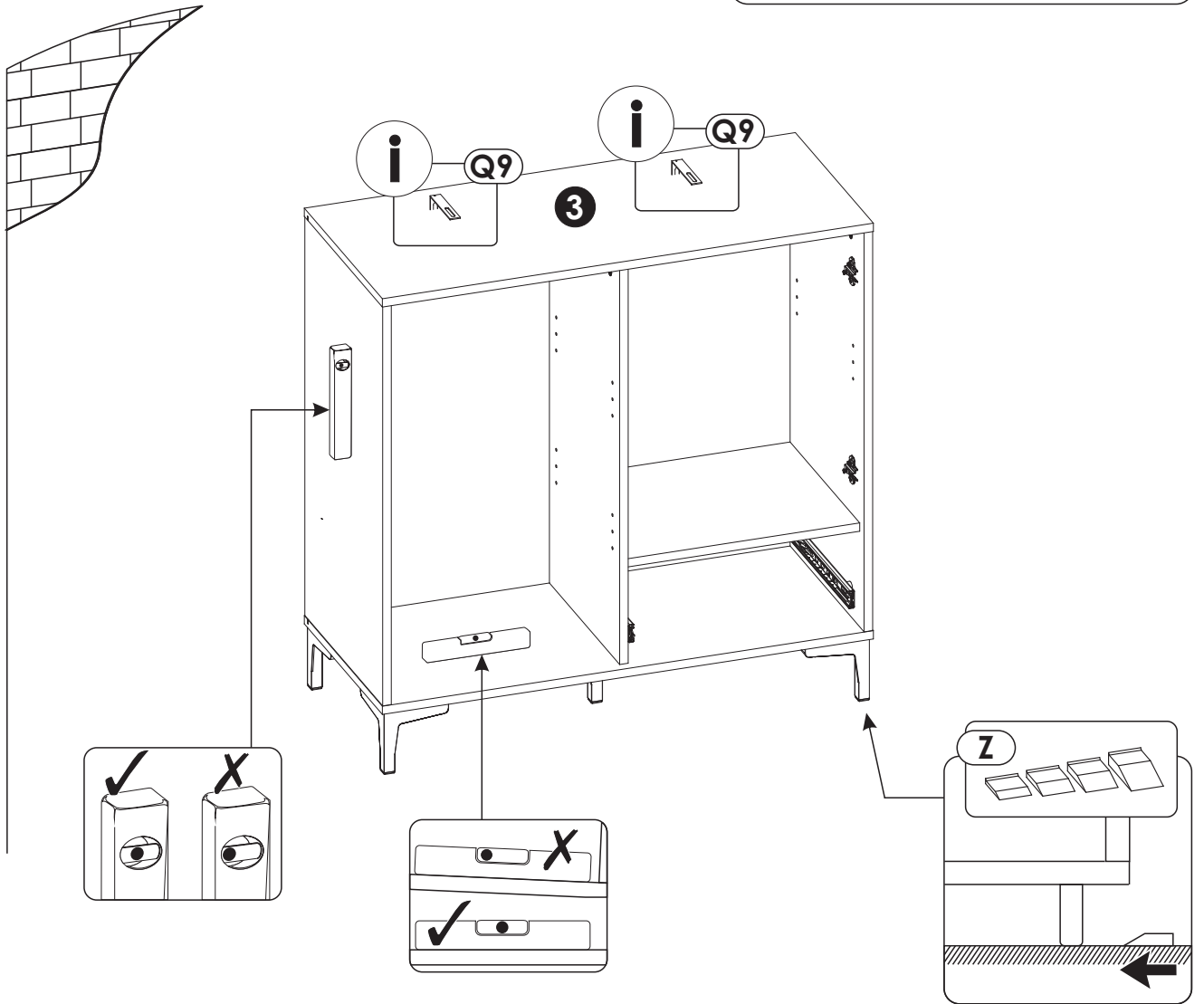
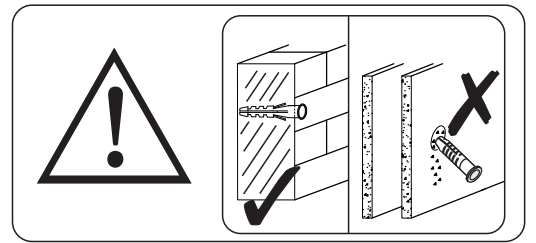


A=B

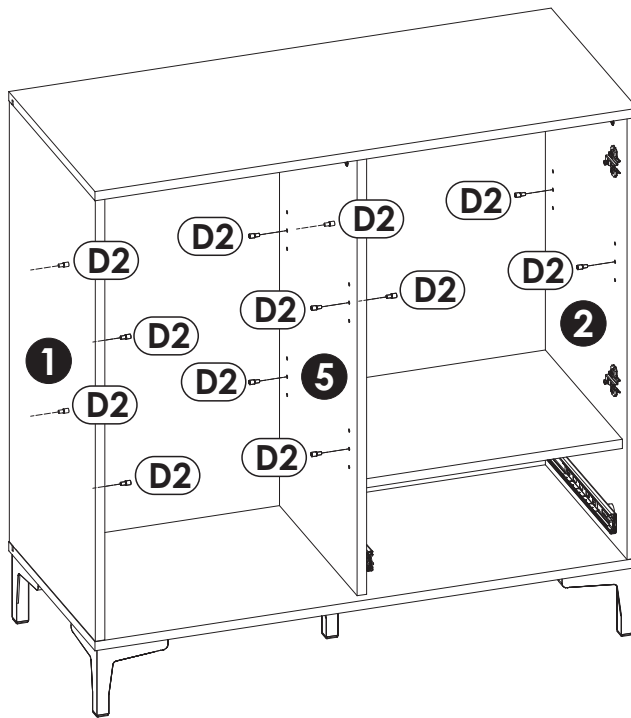
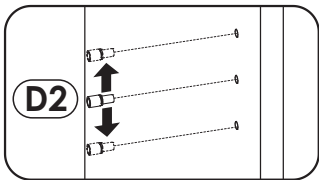


15▶

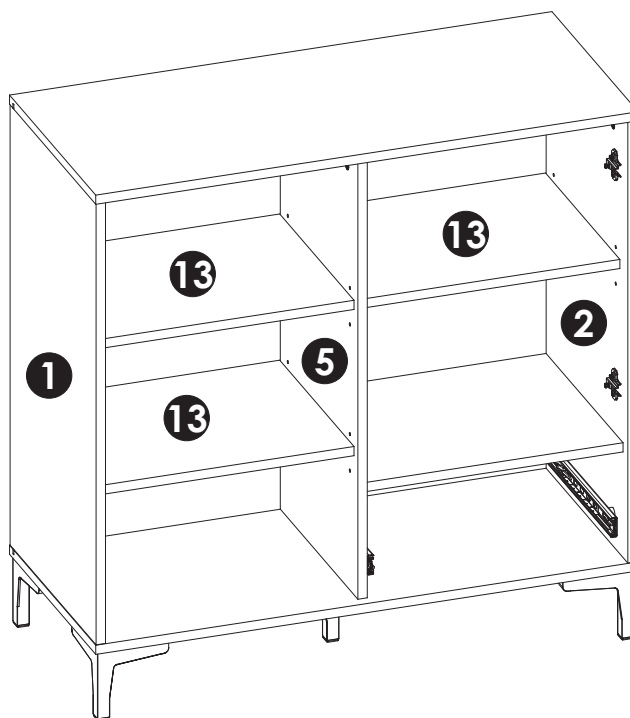
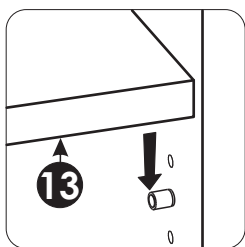




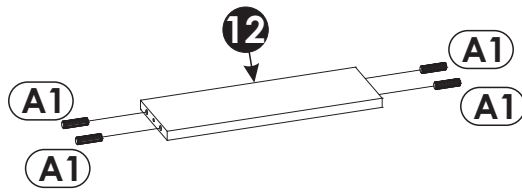
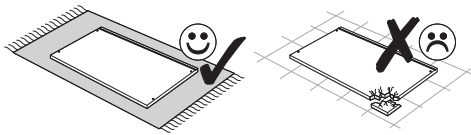
17▶



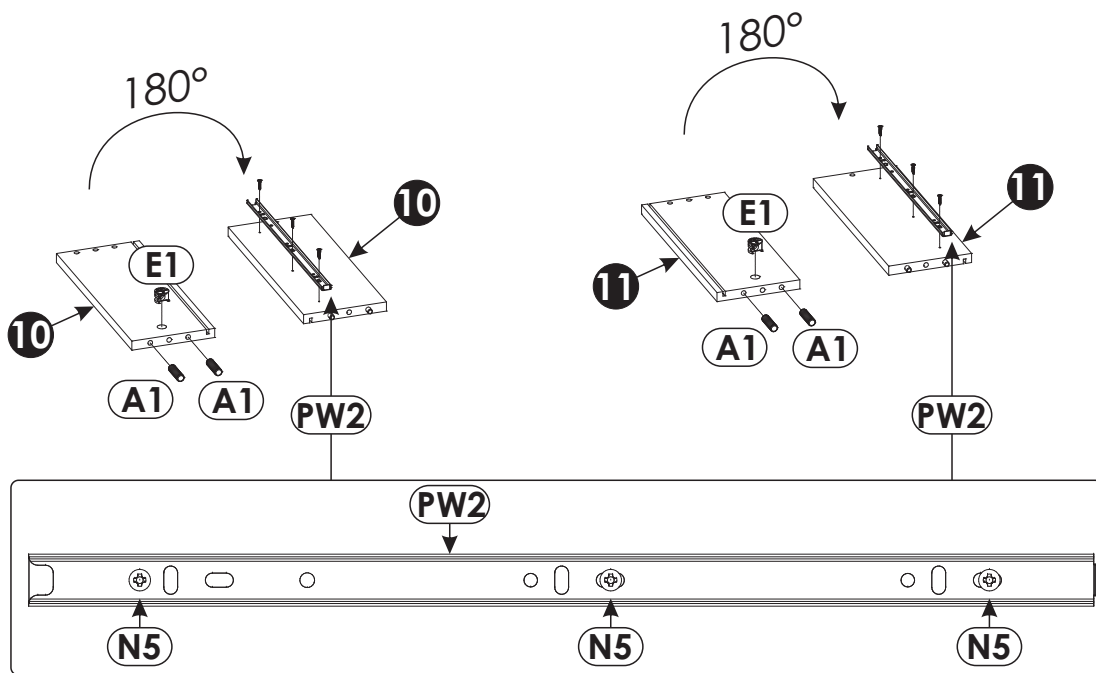
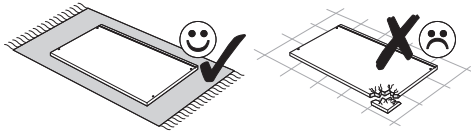
18▶



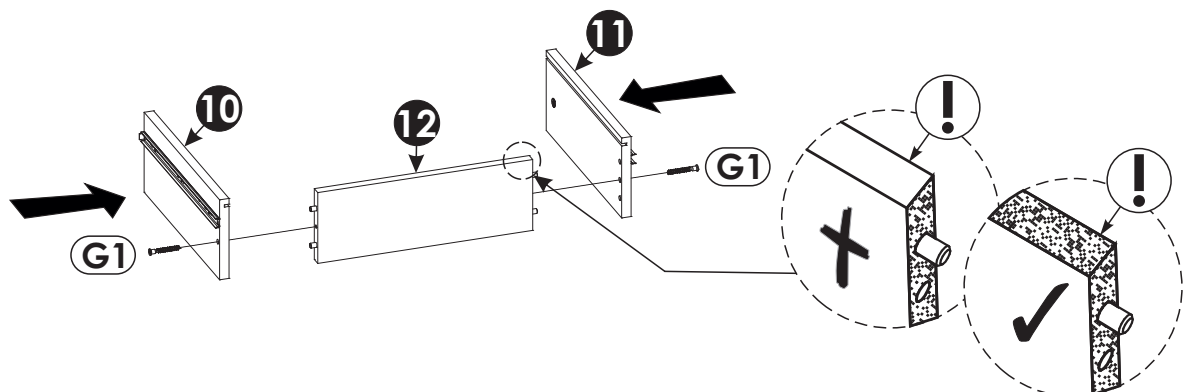
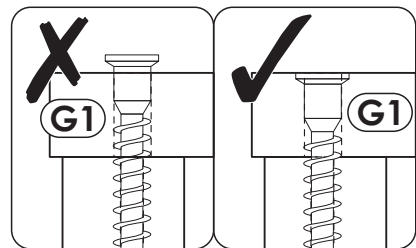
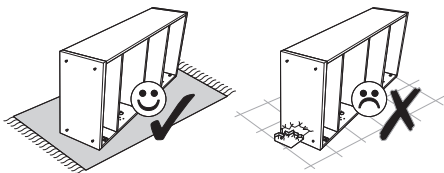
19 ▶



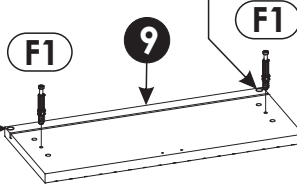
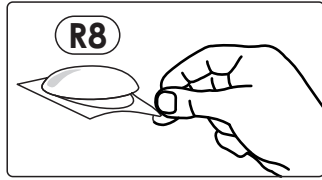
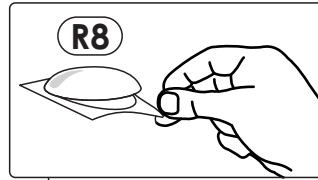
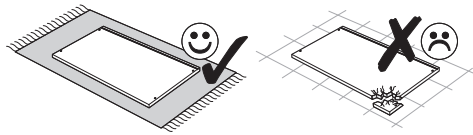
20 ▶



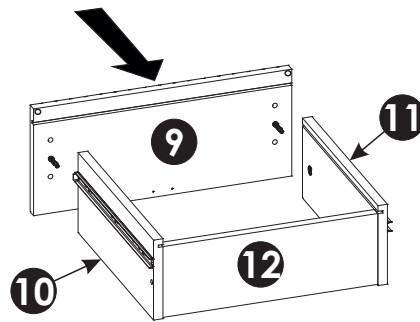
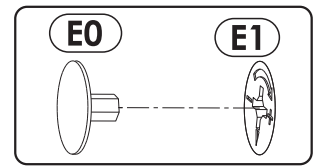
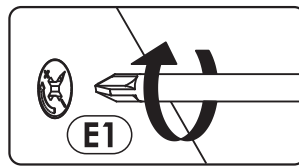
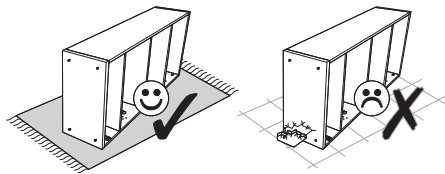
21 ▶



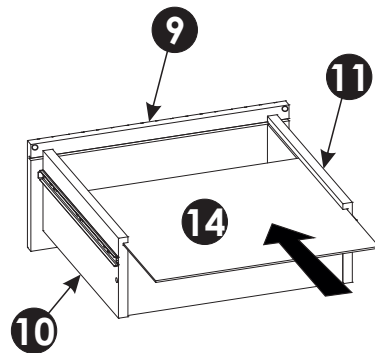
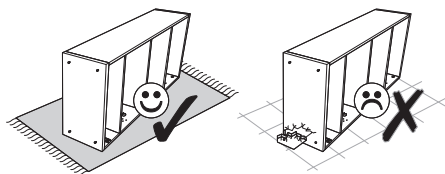
22 ▶



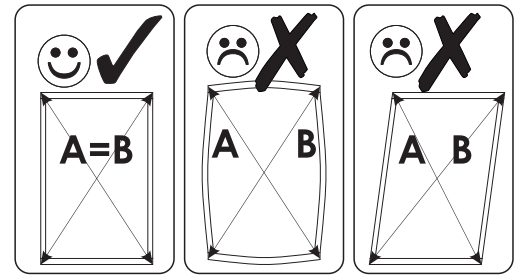
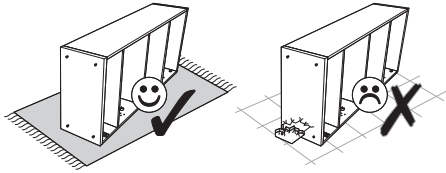
23 ▶



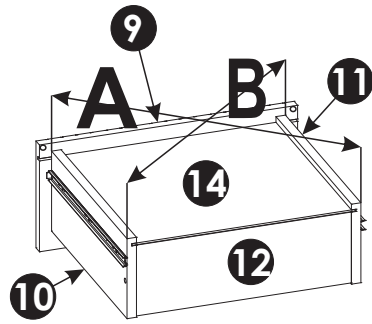
24 ▶



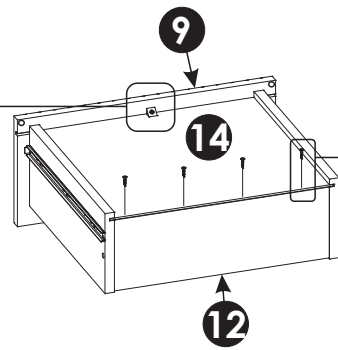
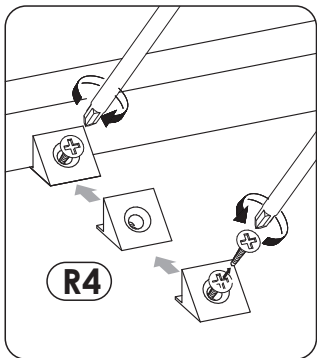
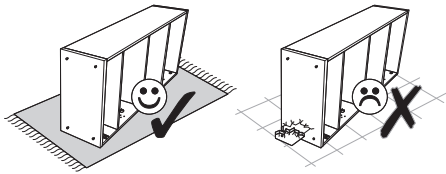
25 ▶



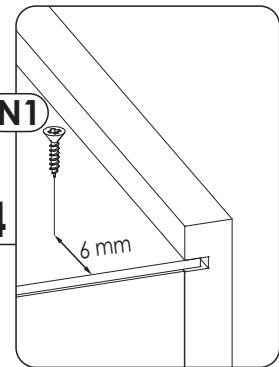
A=B



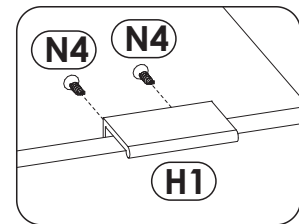
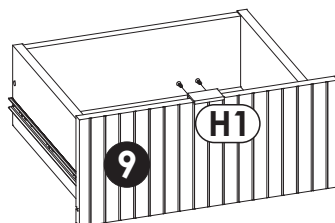
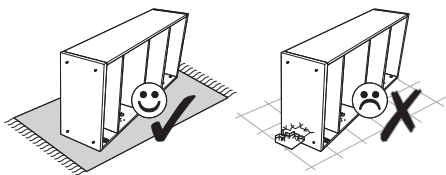
26 ▶



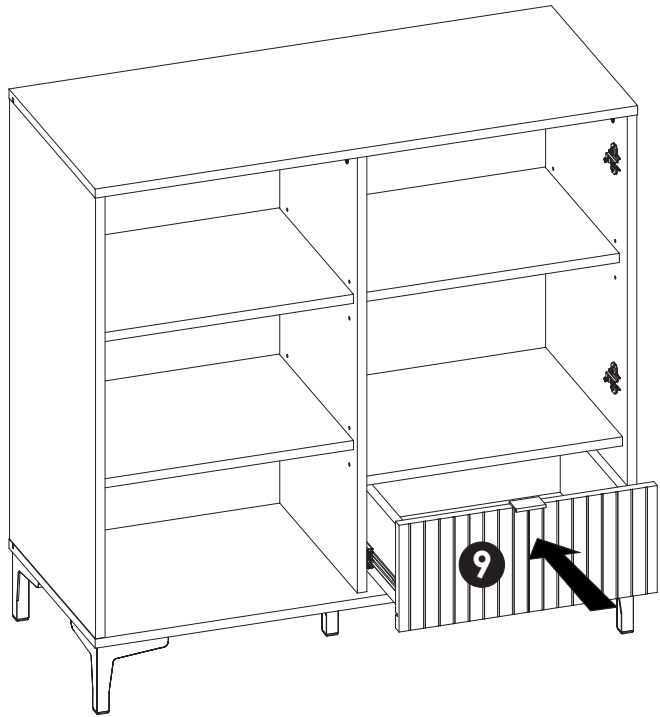
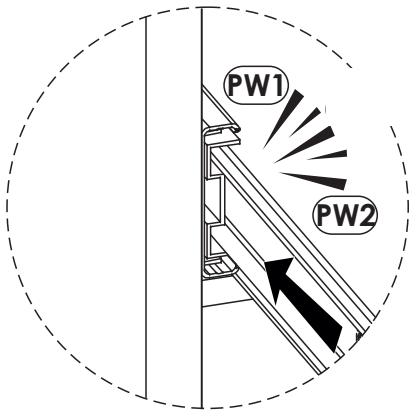
x4



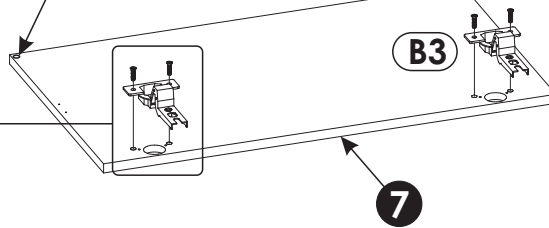
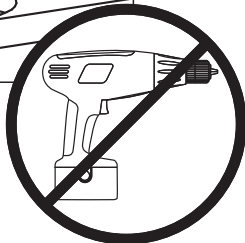
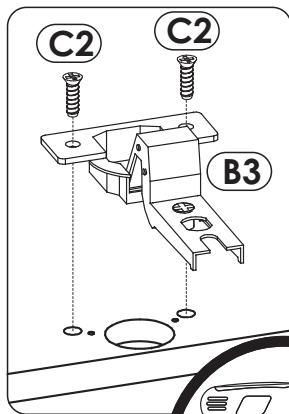
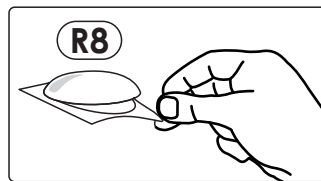
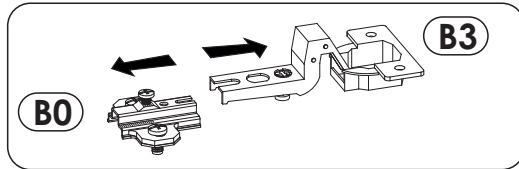
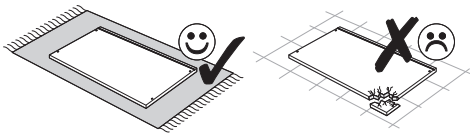
27 ▶



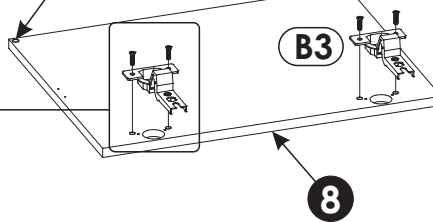
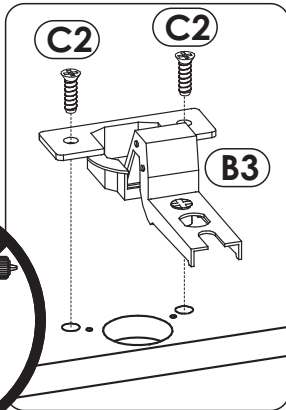
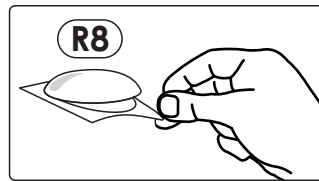
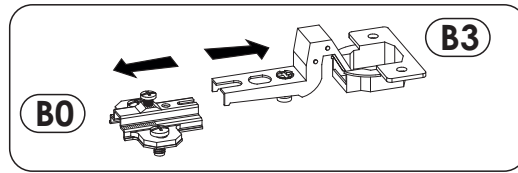
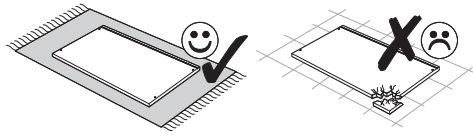
28 ▶



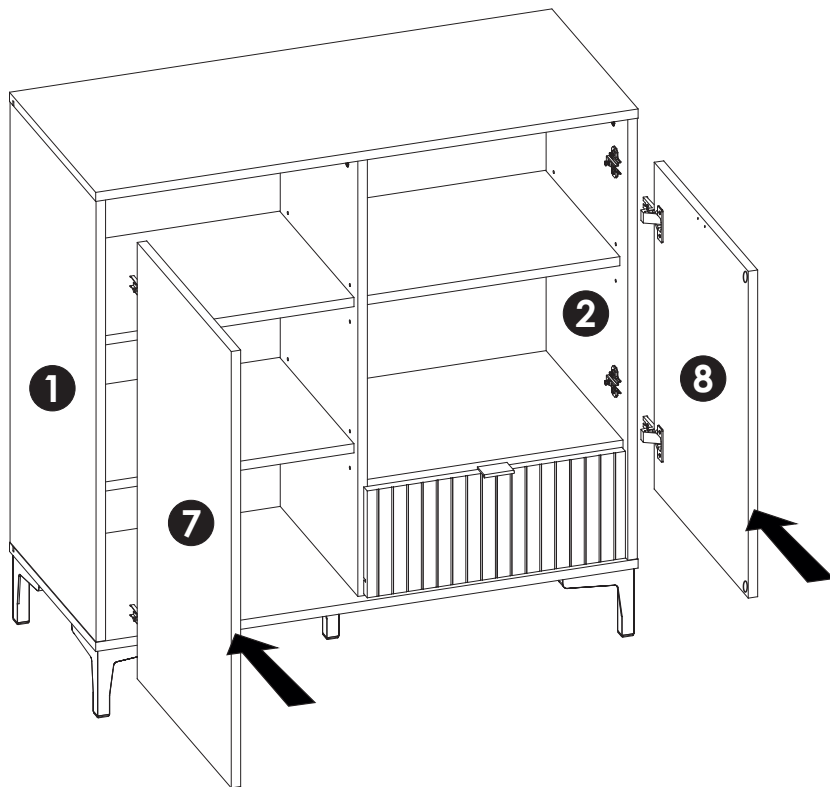
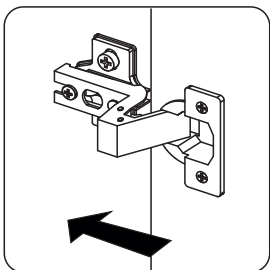
29 ▶



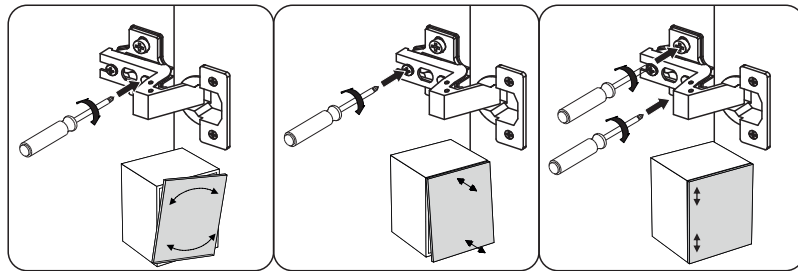
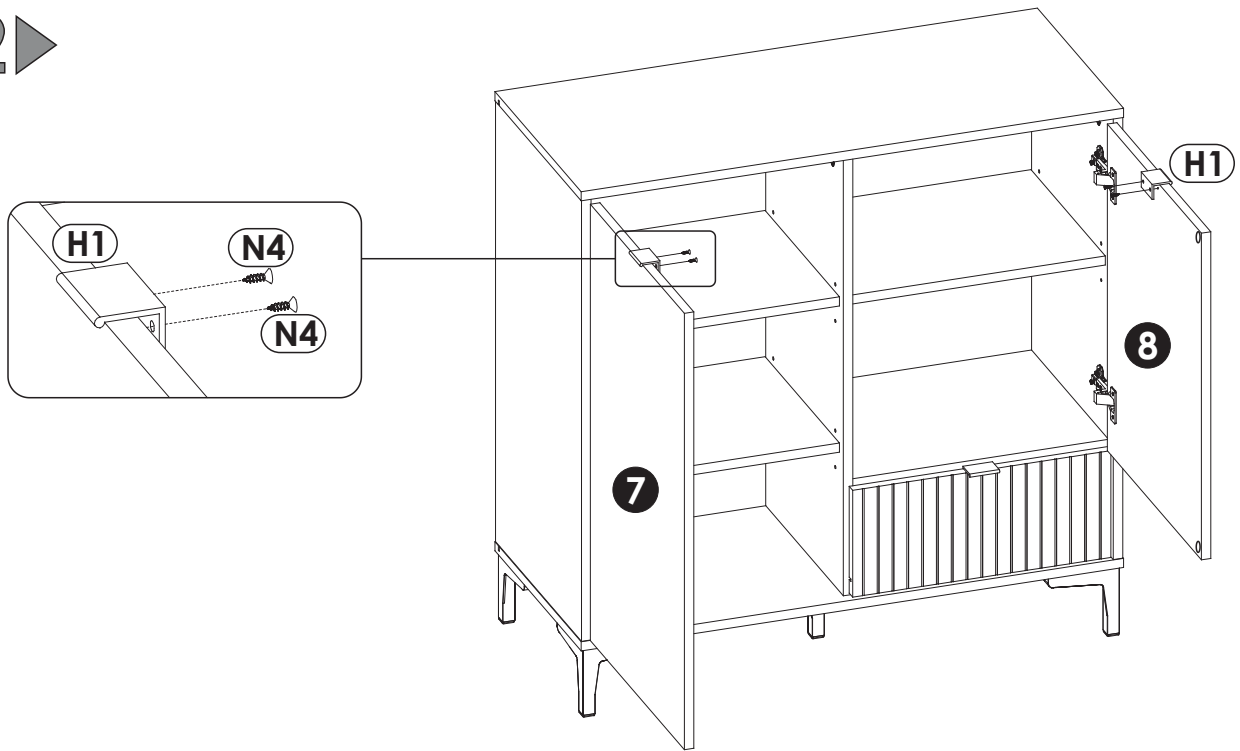
30 ▶



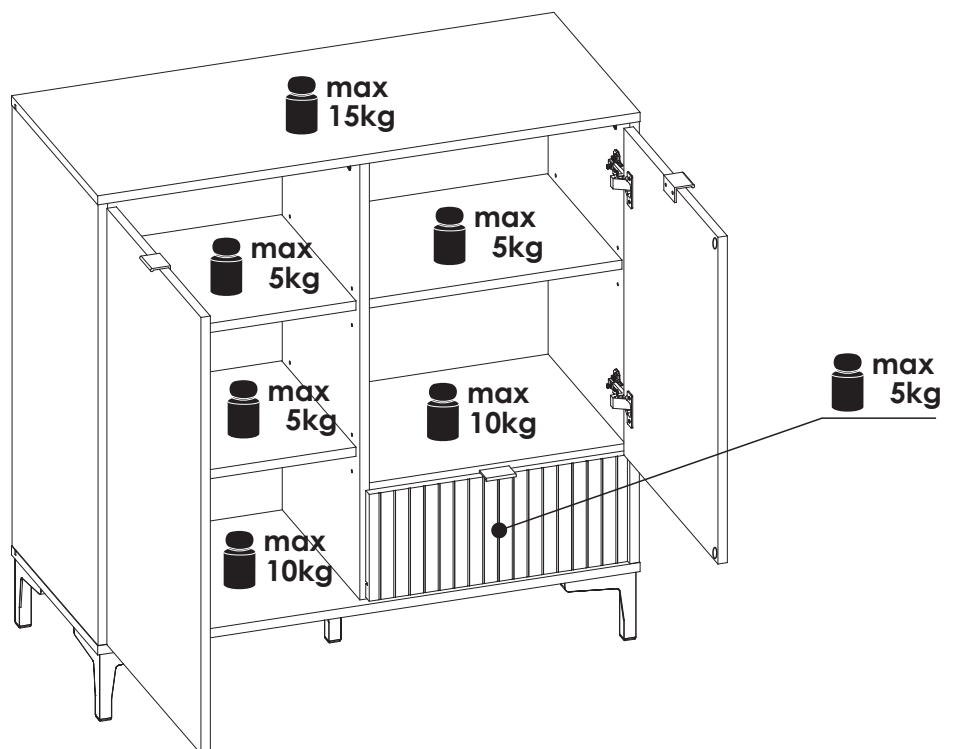
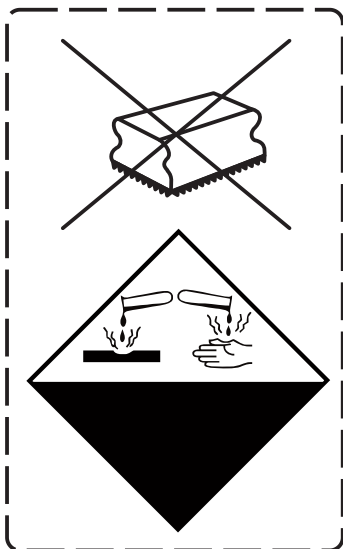
31 ▶

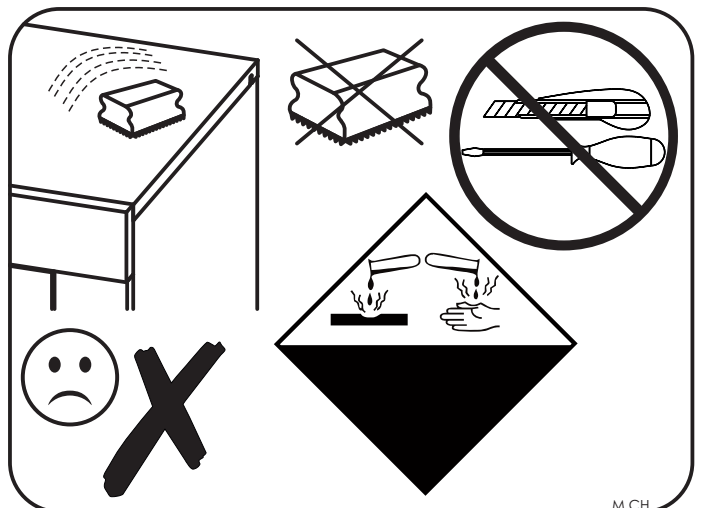
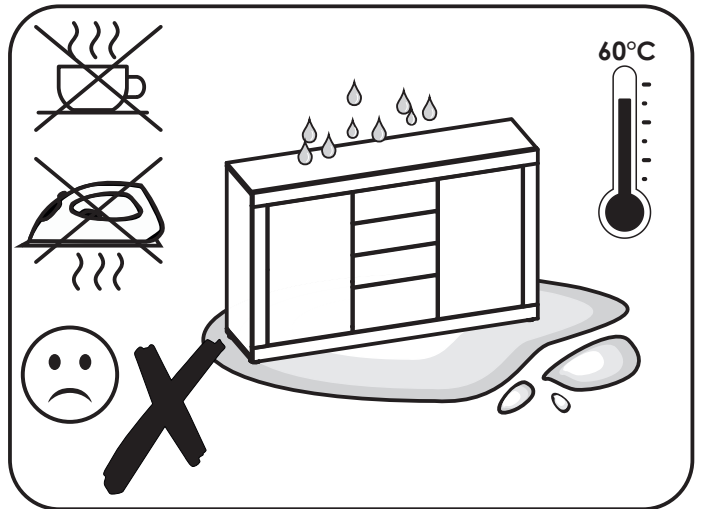
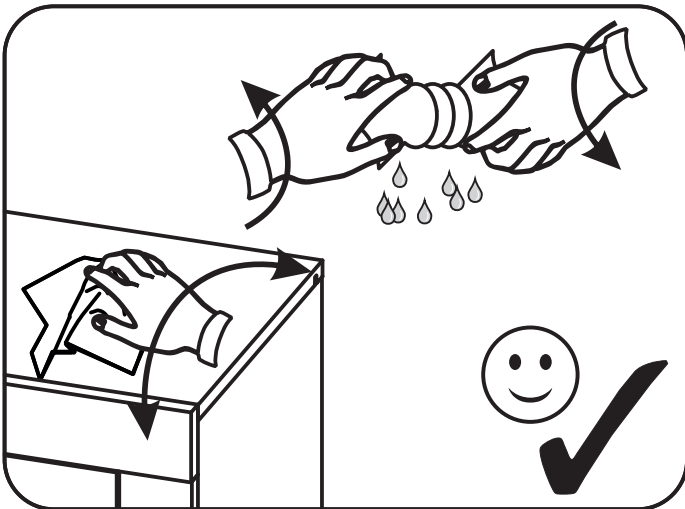
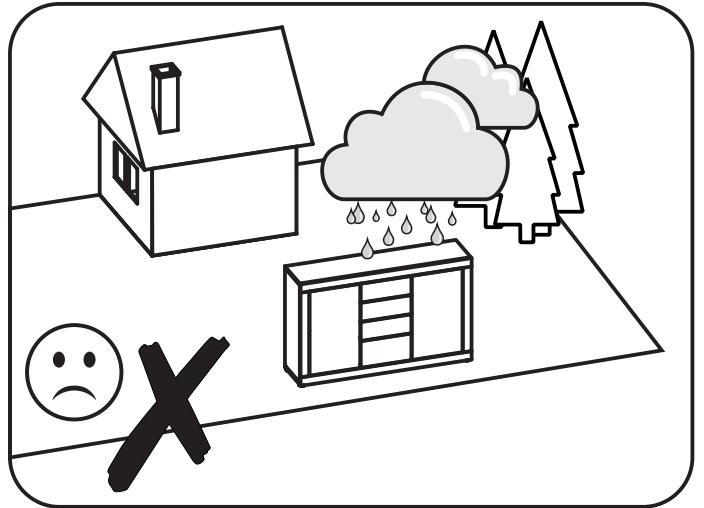
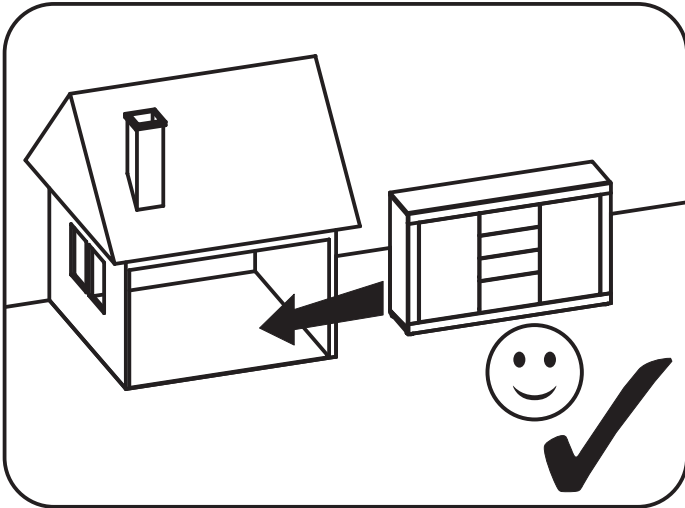


32 ▶



33 ▶





MCH