
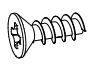
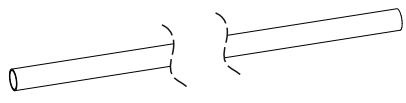
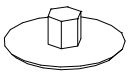

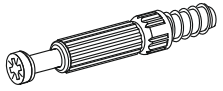
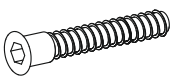
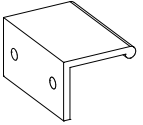
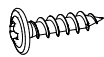
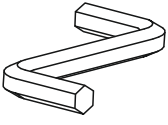
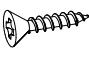




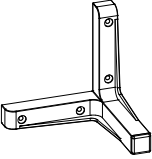
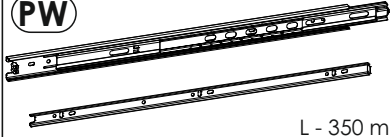
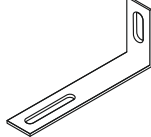
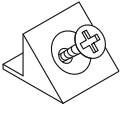
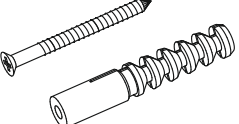
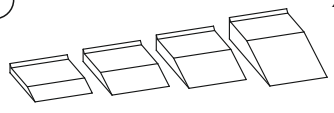
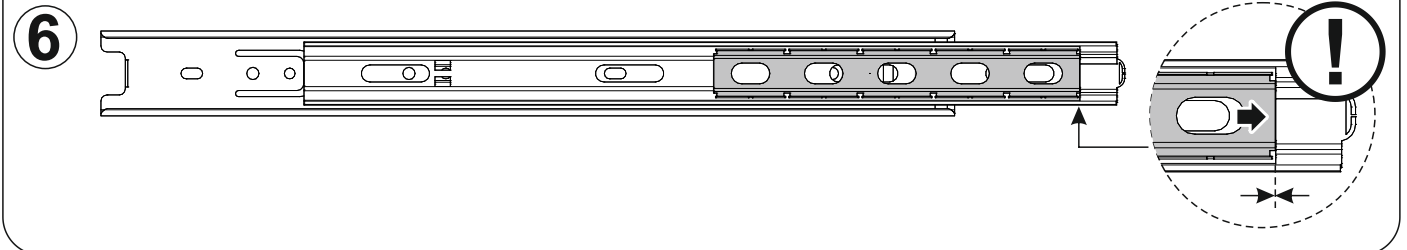
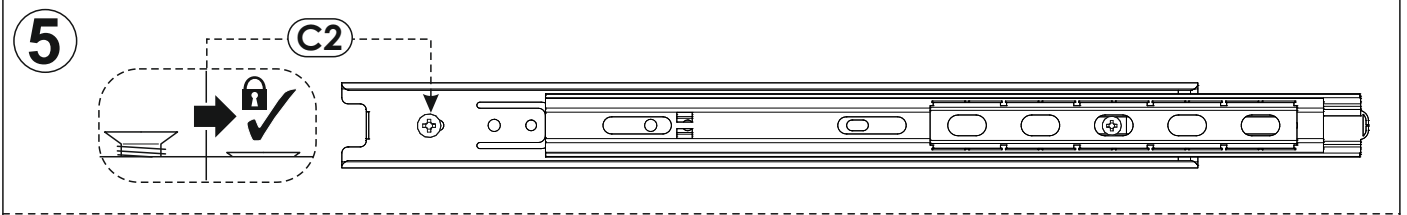
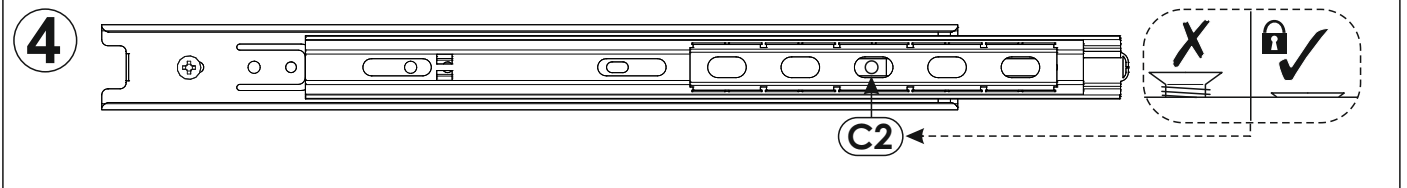
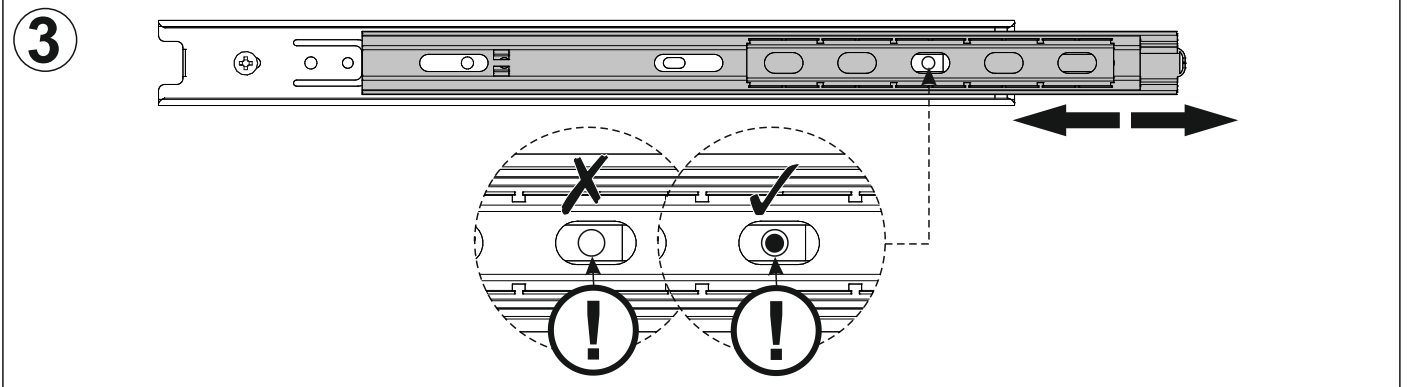
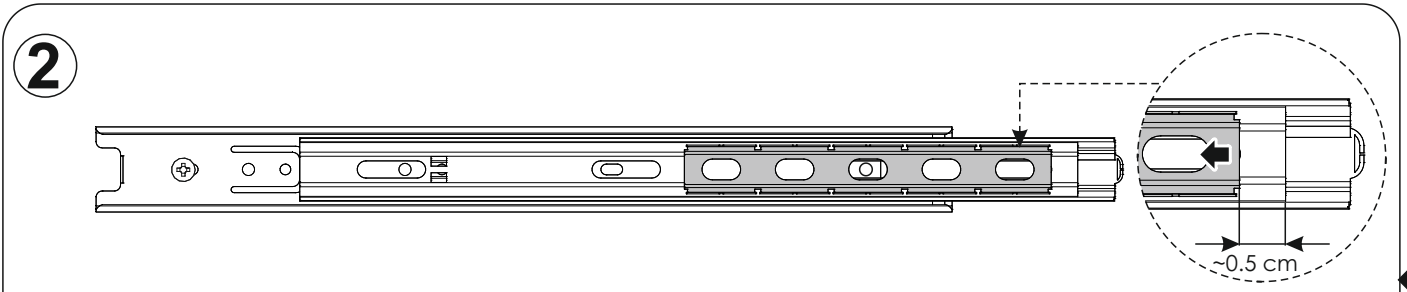
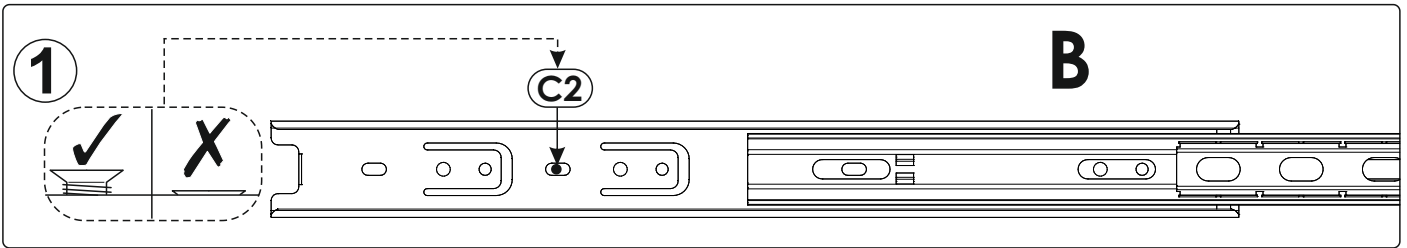
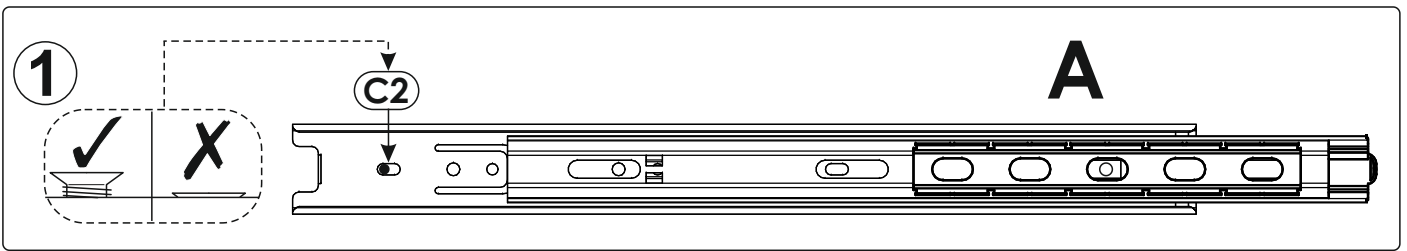
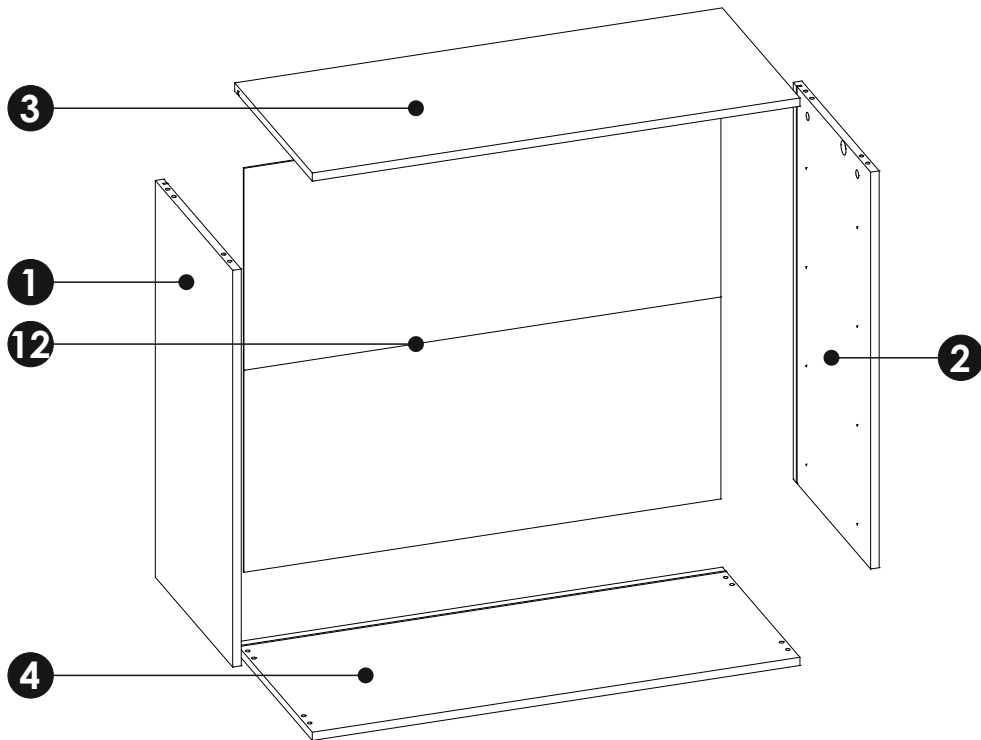
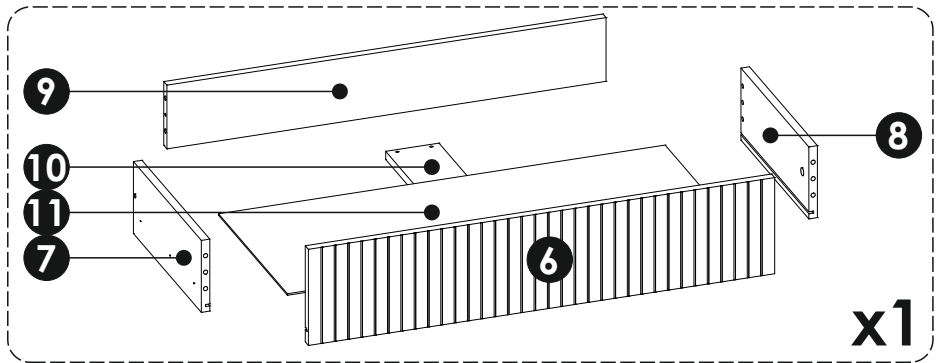
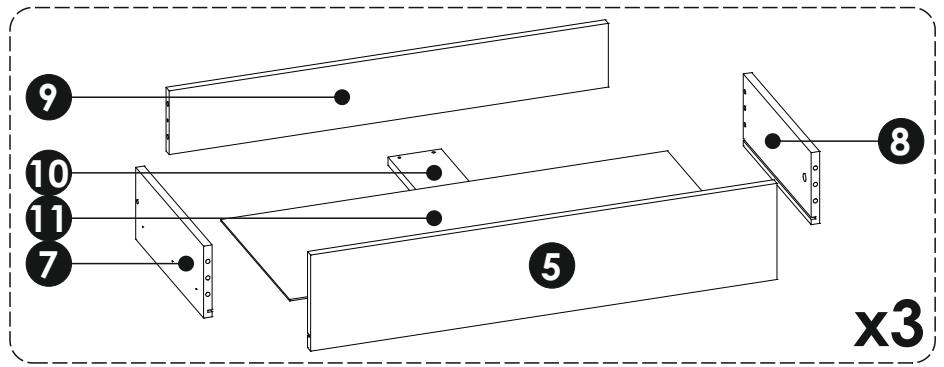
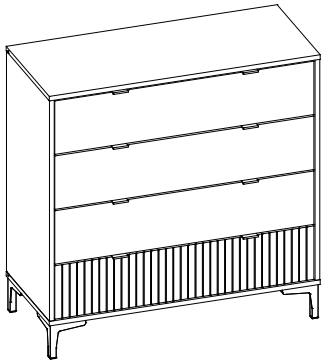


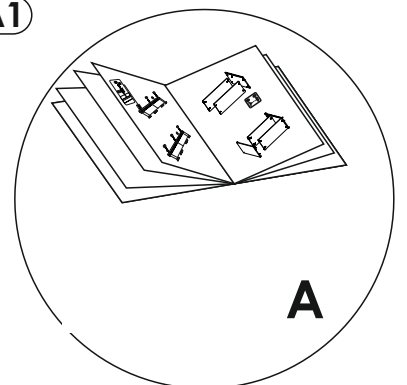
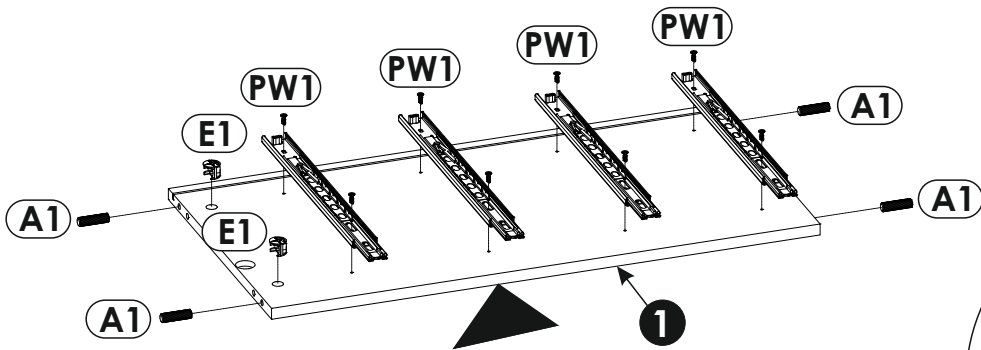
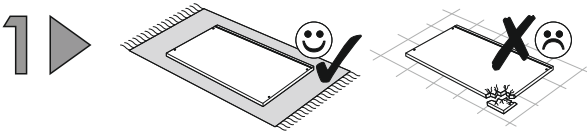
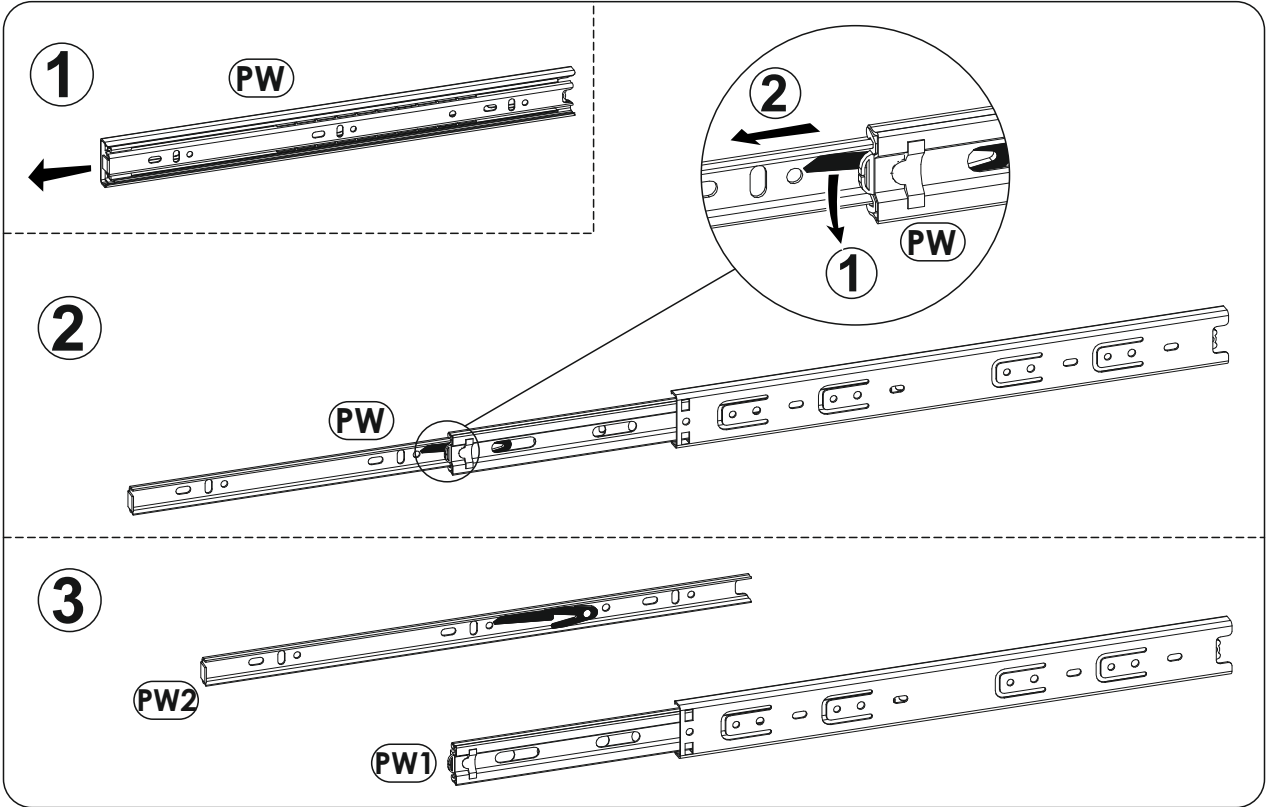
A1 8 x 35 mm x48 	C2 5 x 13 mm x16 	DR L - 896 mm x1 
E0 Ø16 x8 	E1 15 x 12 mm x16 	F1 6 x 34 mm x16 
G1 7 x 50 mm x12 	H1 L - 50 mm x8 	I2 4 x 16 mm x2 
M x1 	N1 3 x 16 mm x30 	N4 3,5 x 13 mm x16 
N5 3,5 x 16 mm x24 	N7 3,5 x 30 mm x16 	N9 3,5 x 40 mm x8 
O12 x4 	PW L - 350 mm x8 	Q9 x2 
R4 x8 	S13 Ø8 x2 	Z x1 



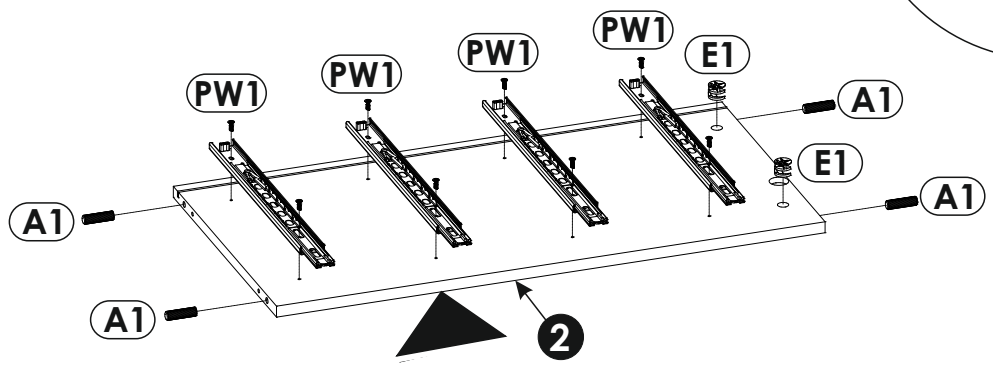
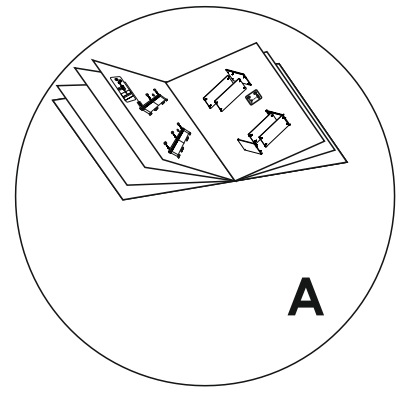
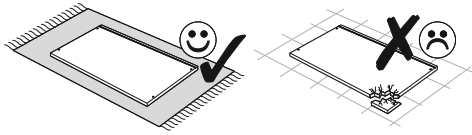


1	772	399	16	x1	1/2
2	772	399	16	x1	1/2
3	915	400	16	x1	2/2
4	915	400	16	x1	1/2
5	875	187	16	x3	2/2
6	187	875	16	x1	2/2

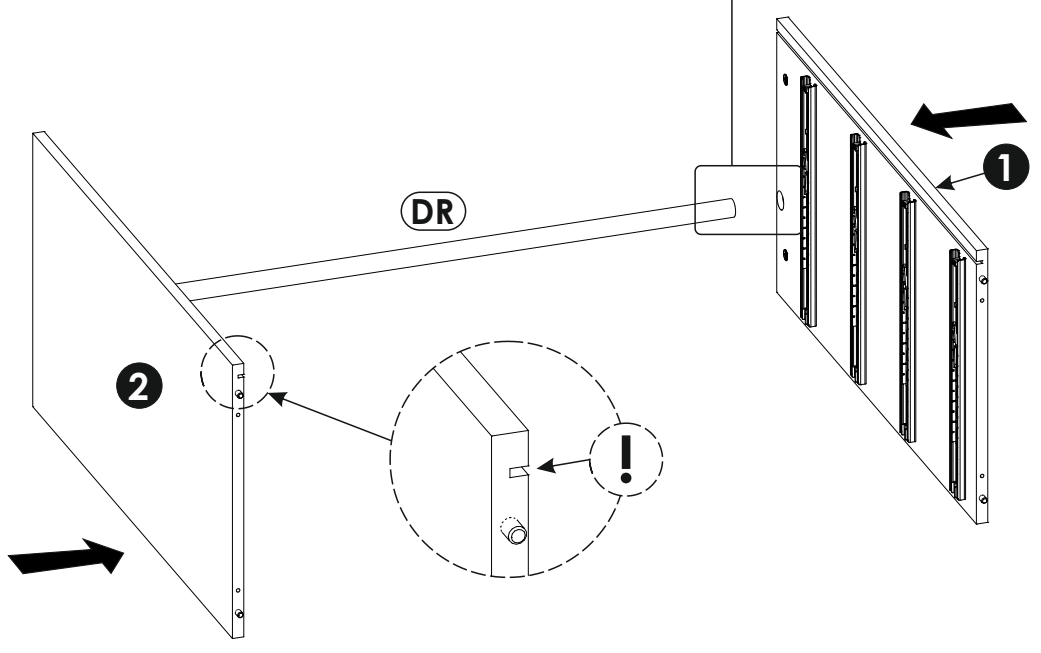
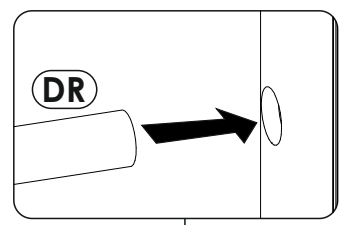
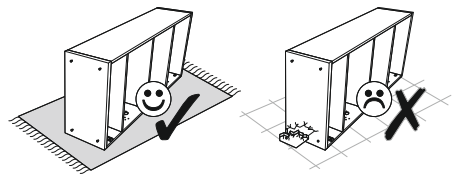
7	350	140	16	x4	1/2
8	350	140	16	x4	1/2
9	824	124	16	x4	1/2
10	350	100	16	x4	1/2
11	838	355	3	x4	1/2
12	895	786	3	x2	2/2



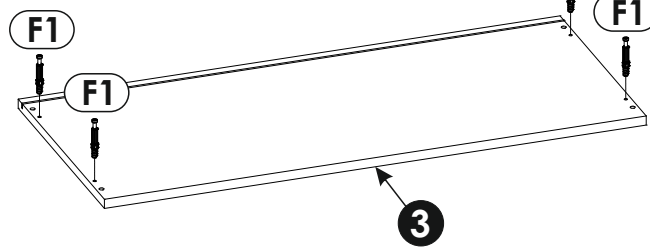
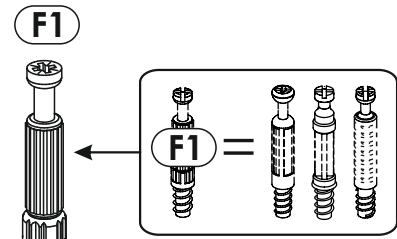
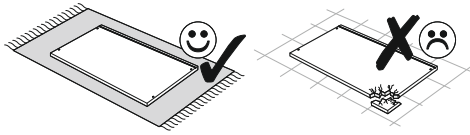
2 ▶



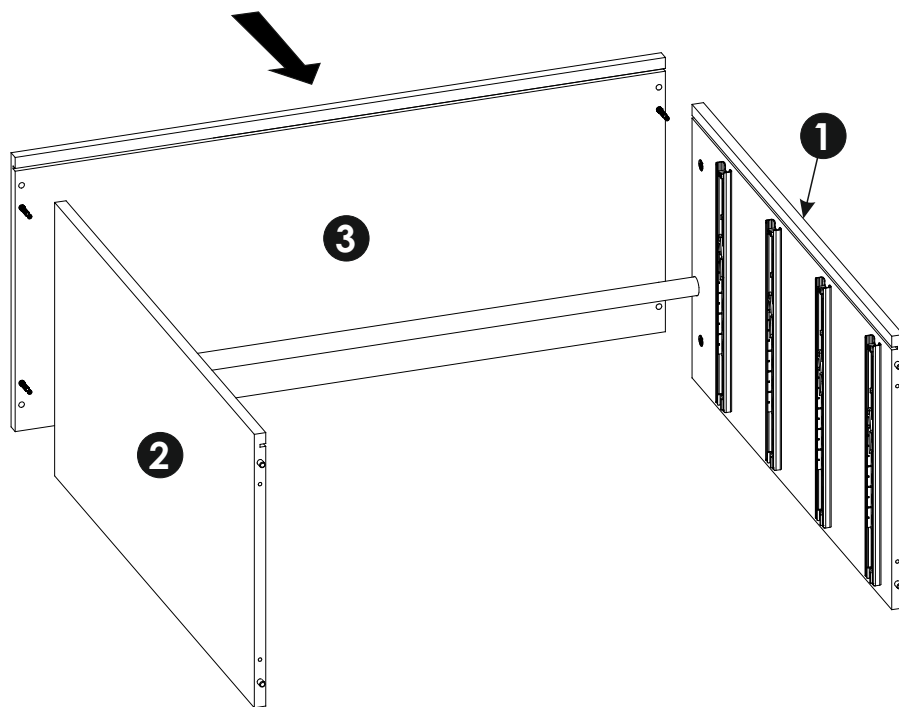
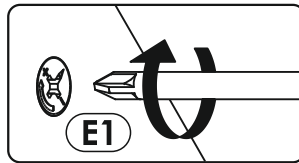
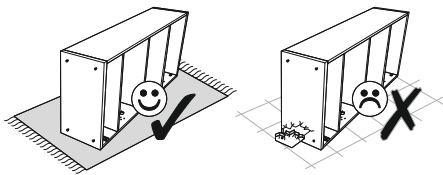
3 ▶

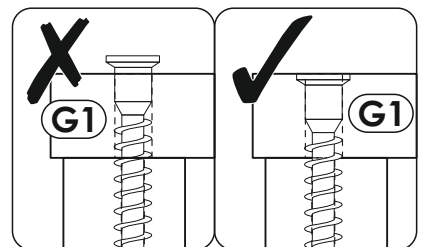
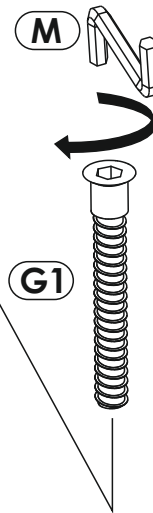
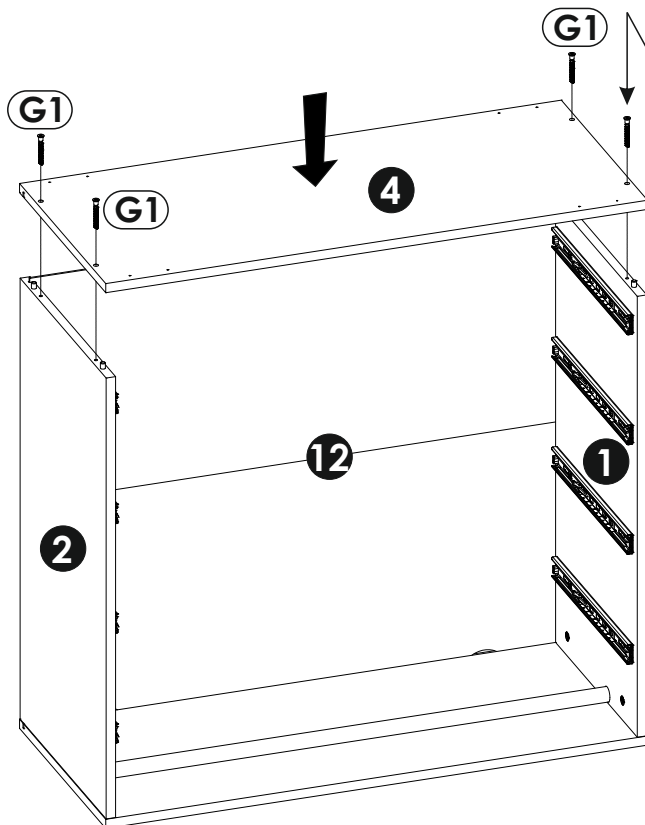
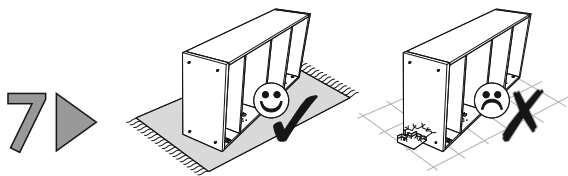
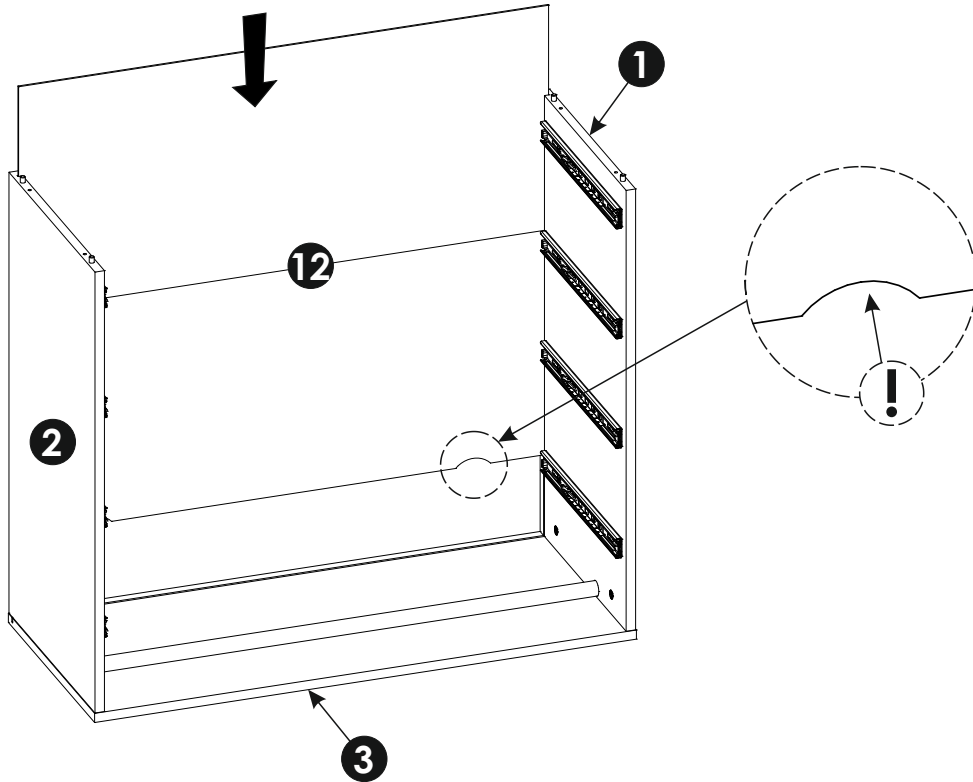
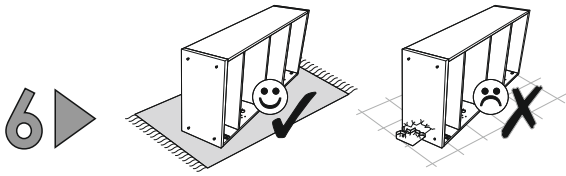


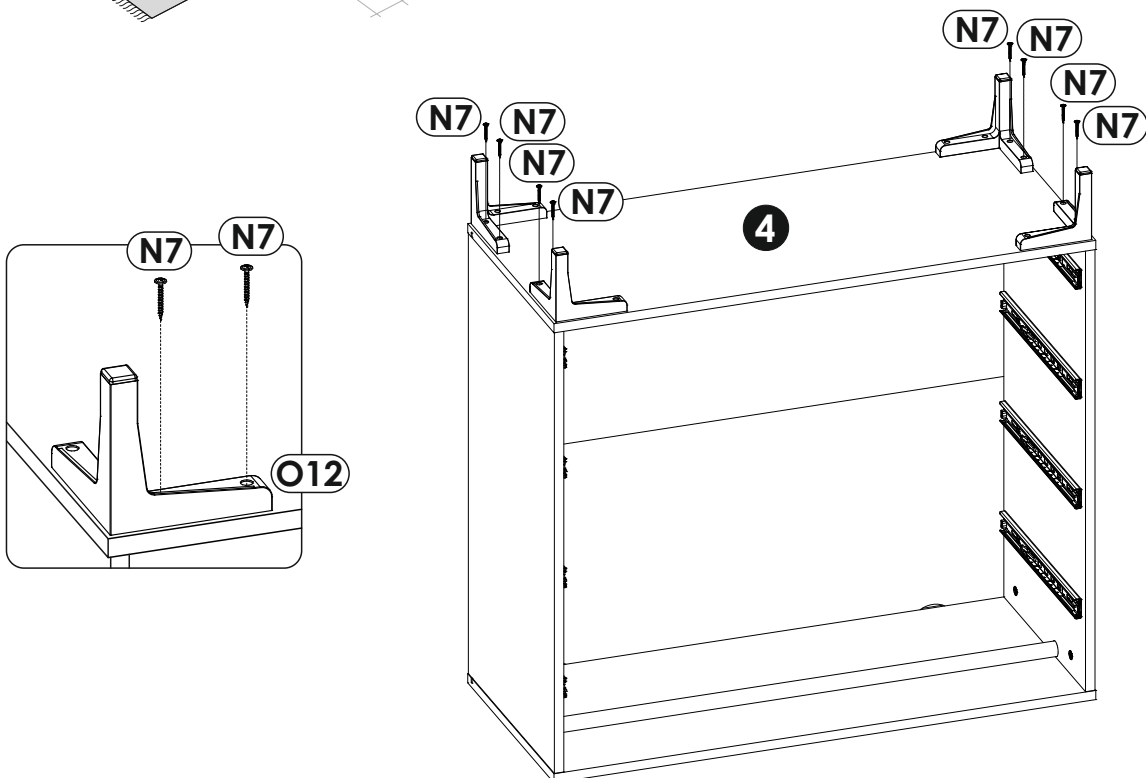
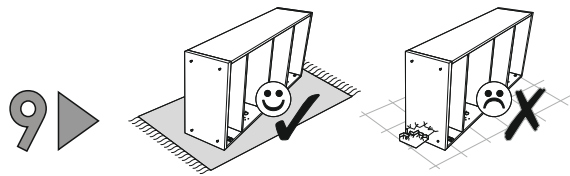
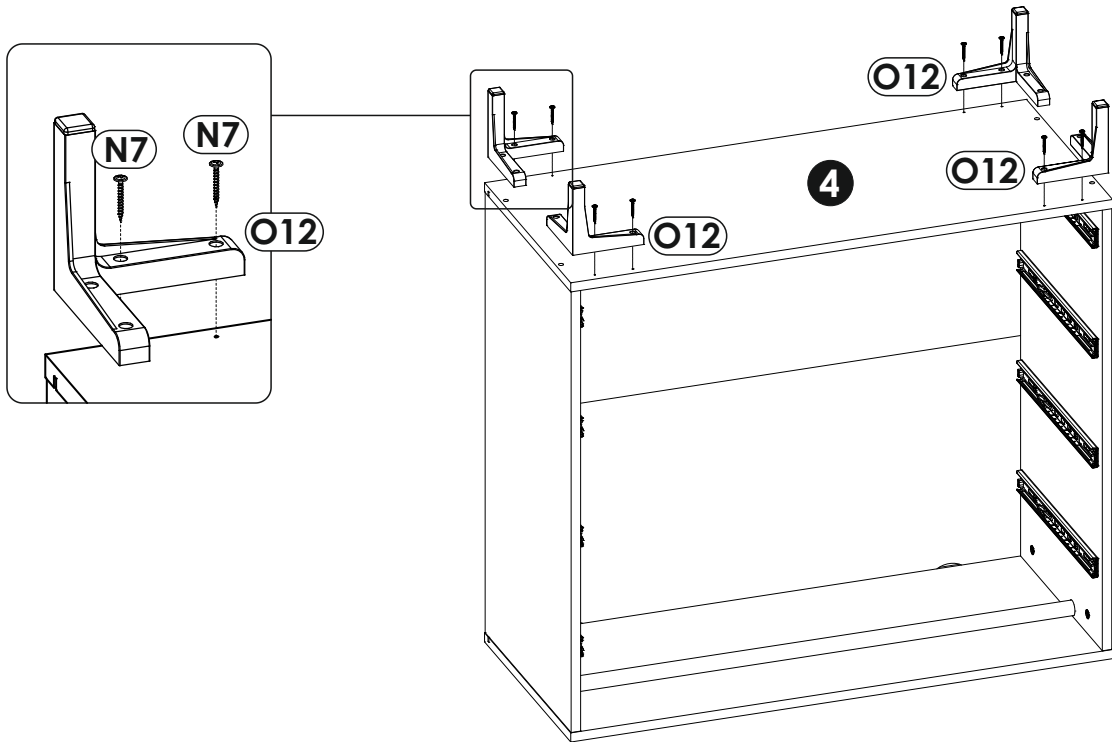
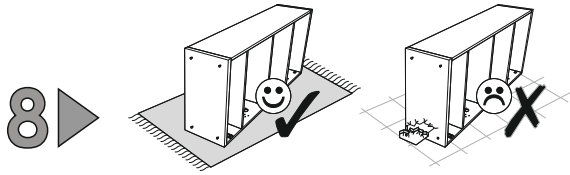
4 ▶



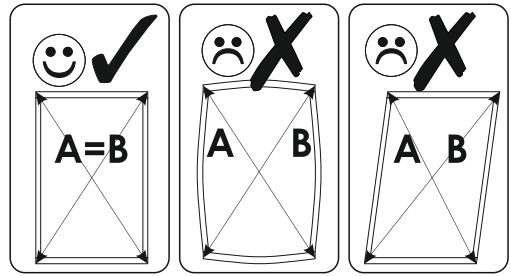
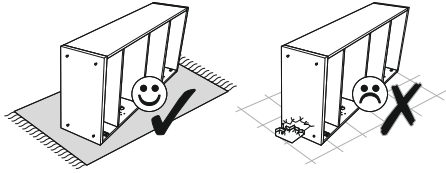
5 ▶



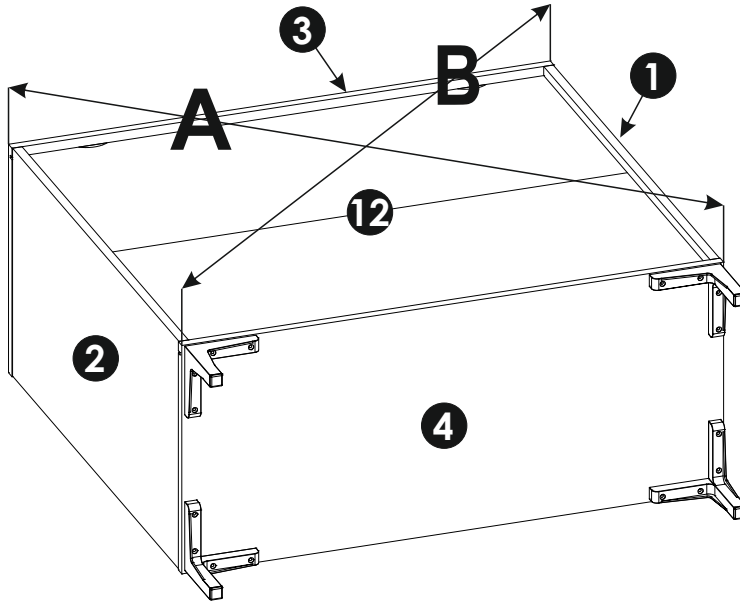




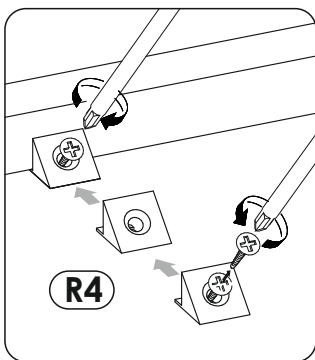
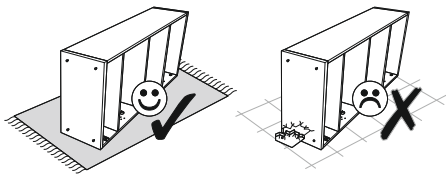
10 ▶



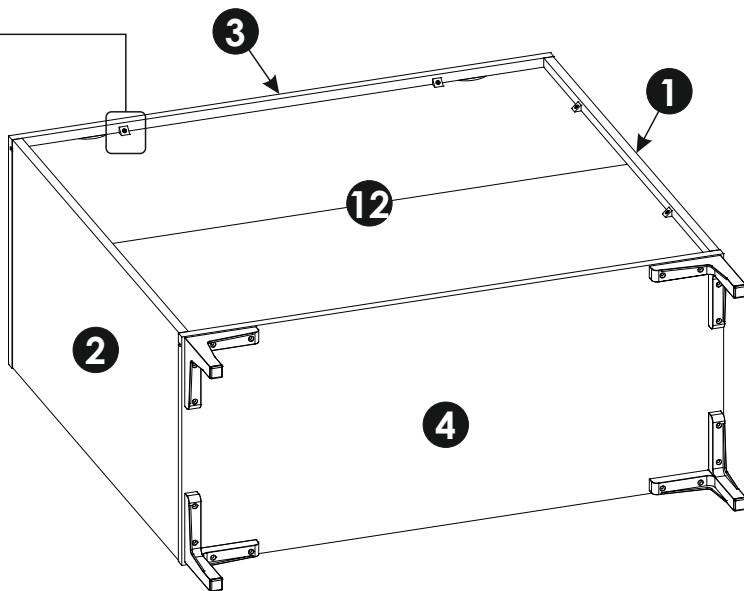
A=B



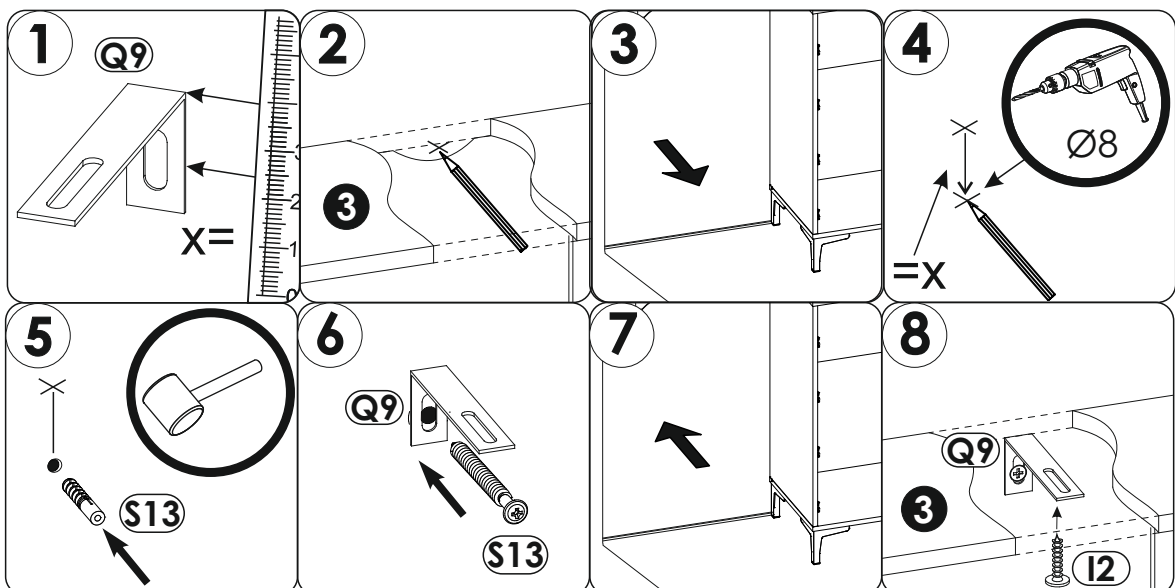
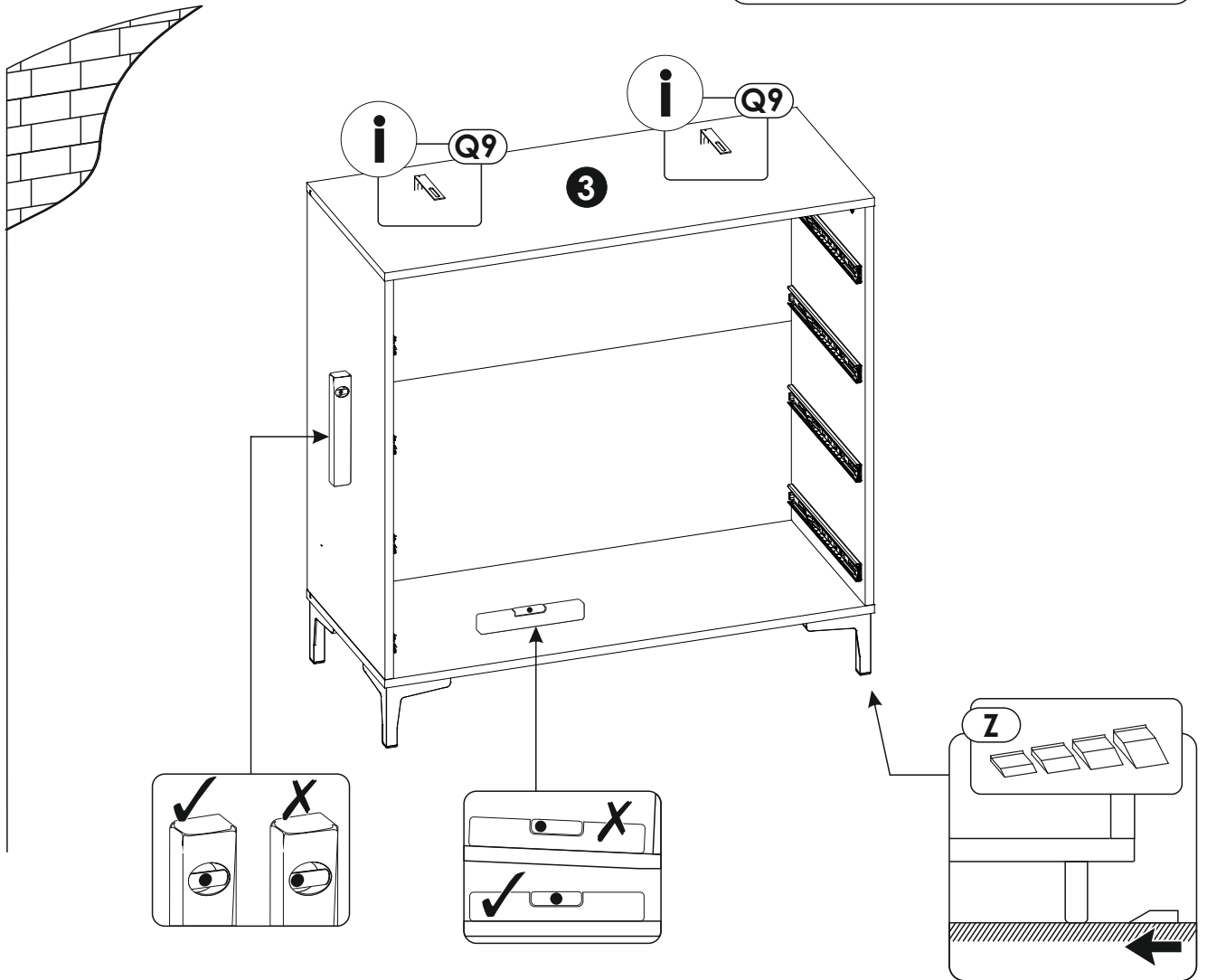
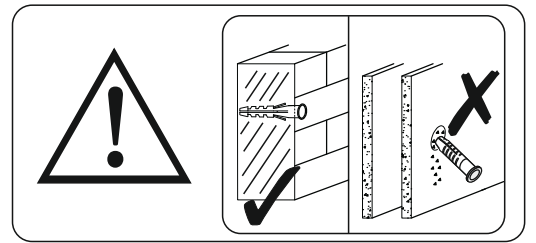
11 ▶

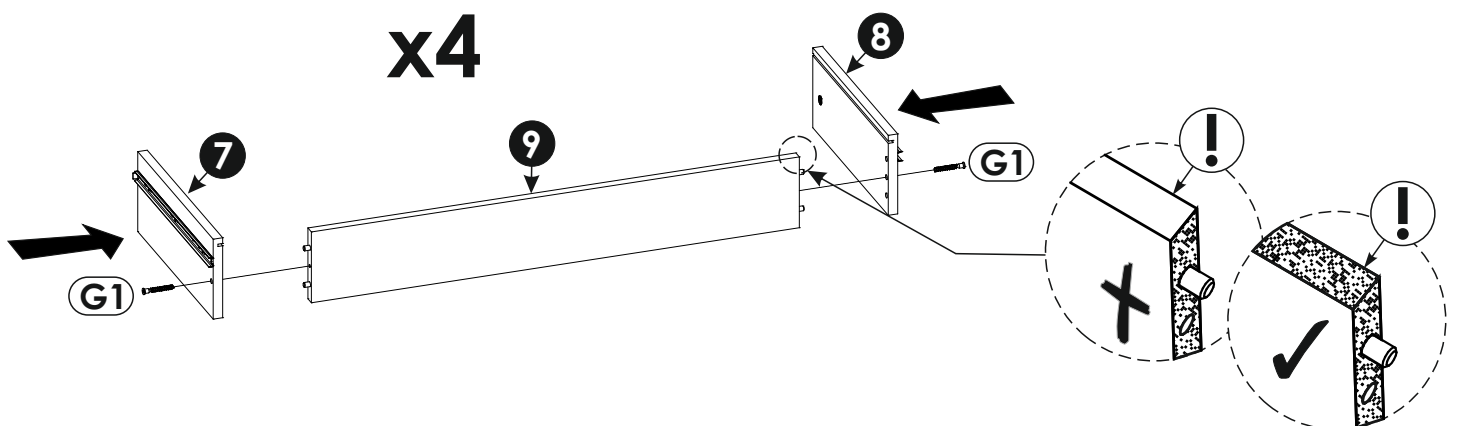
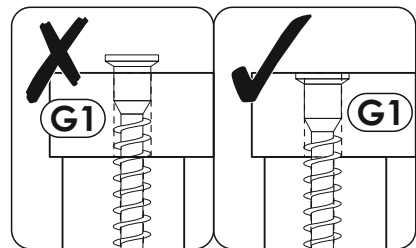
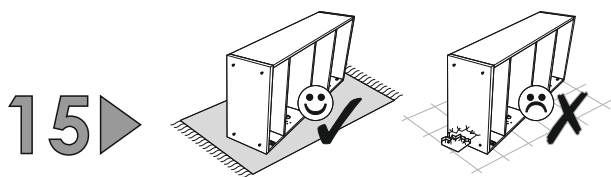
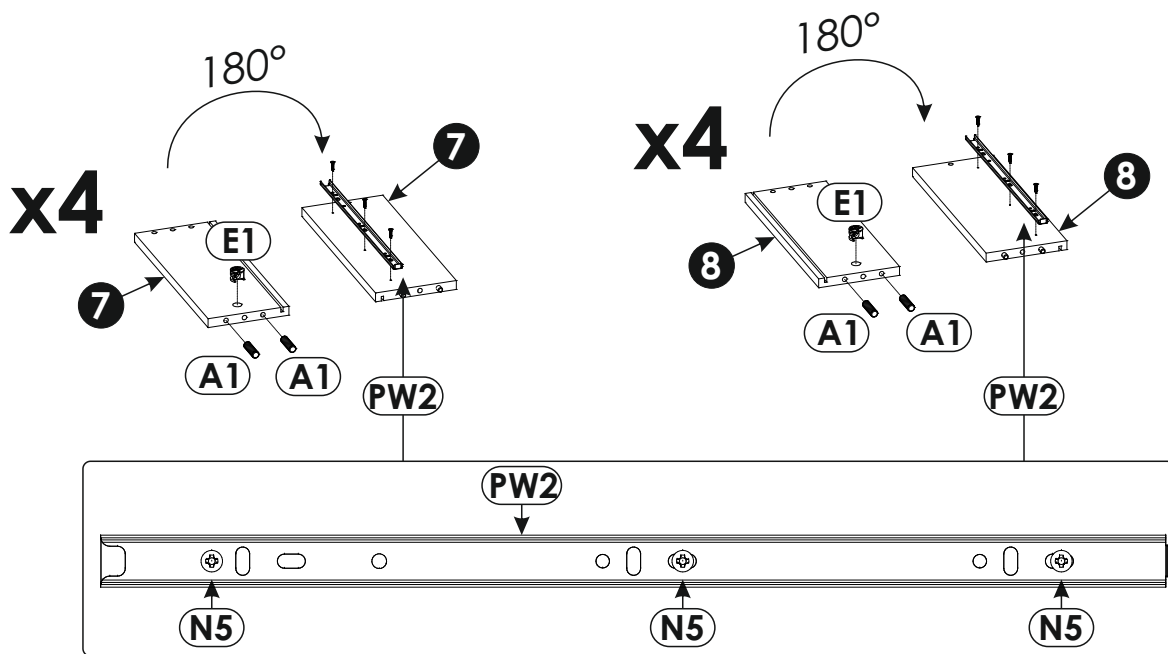
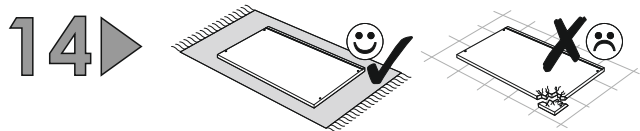
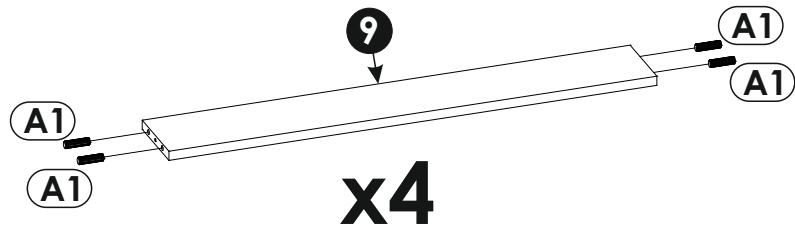
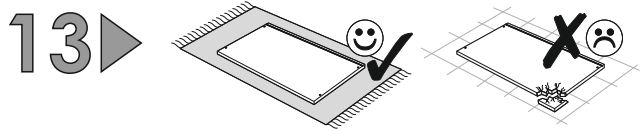


x8

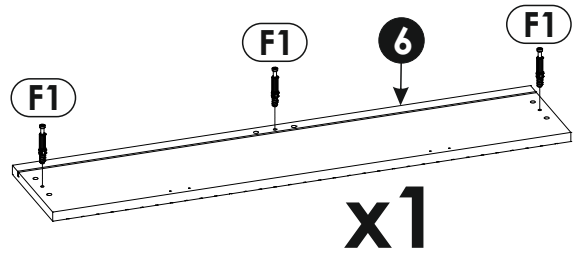
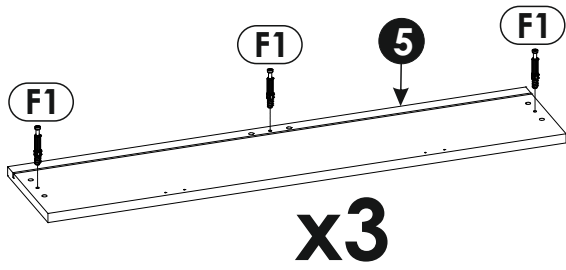
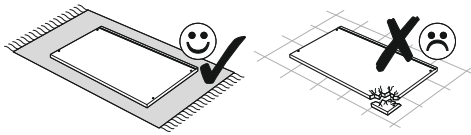


12▶

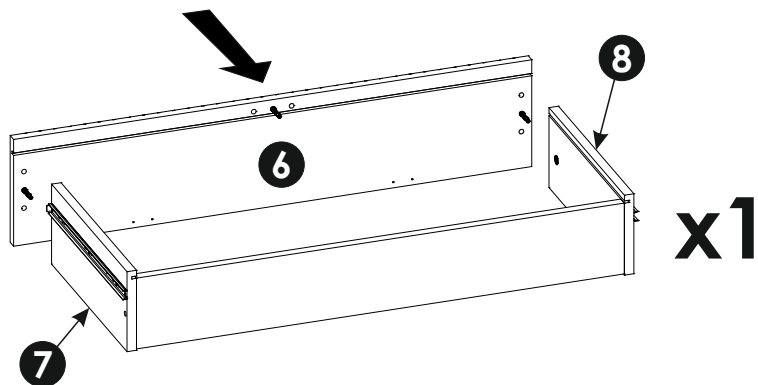
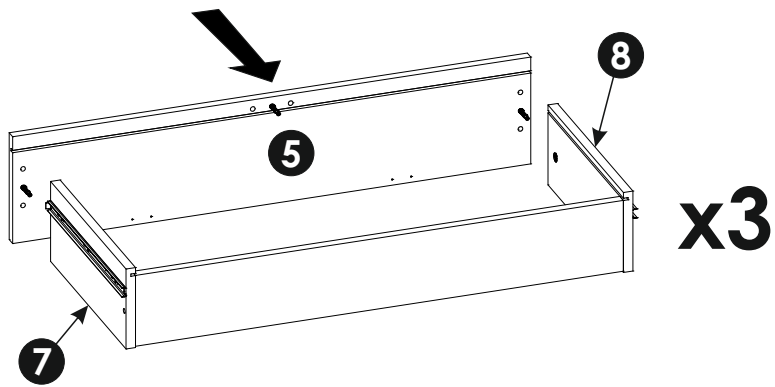
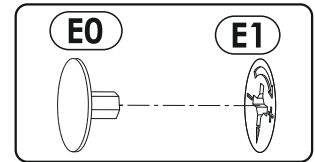
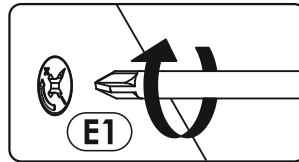
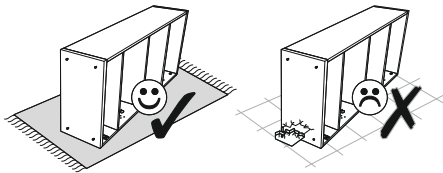


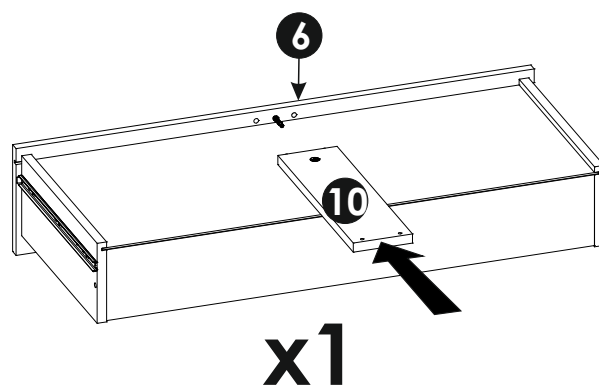
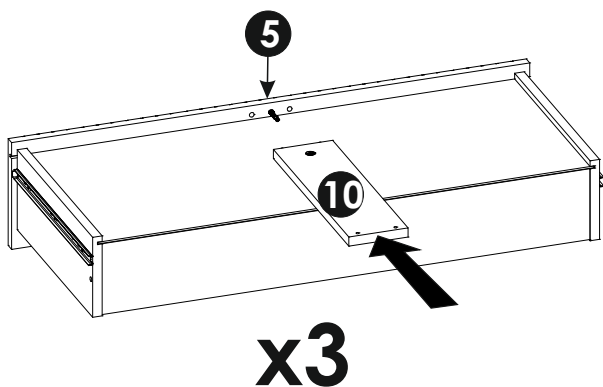
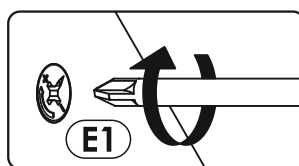
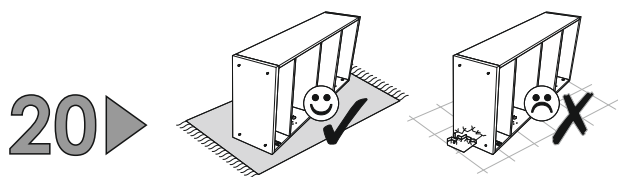
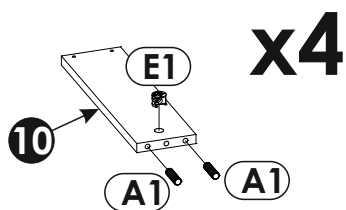
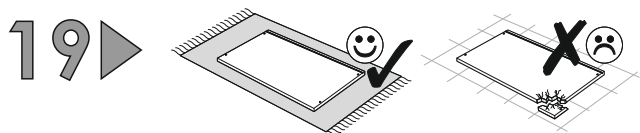
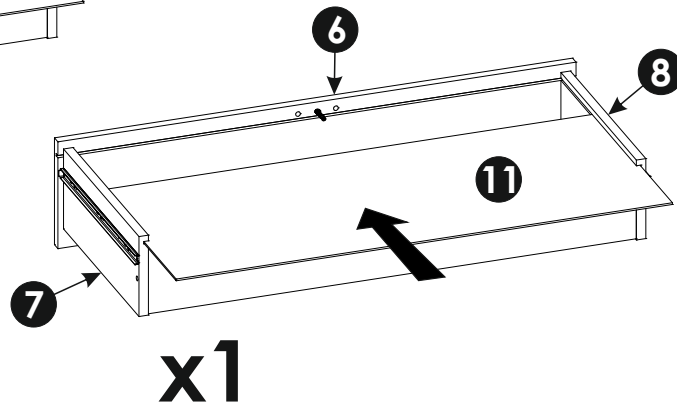
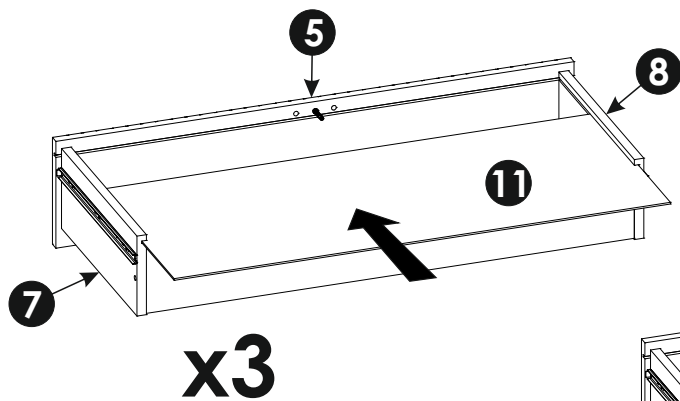
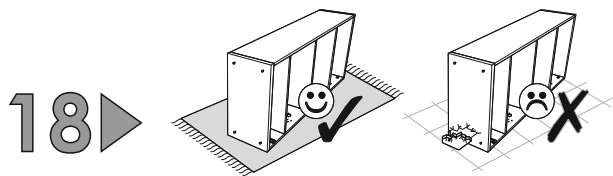


16 ▶

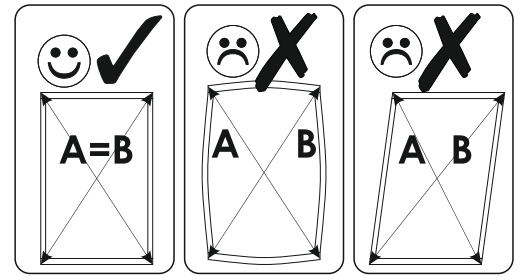
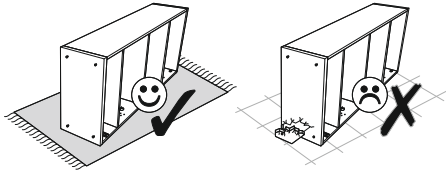


17 ▶

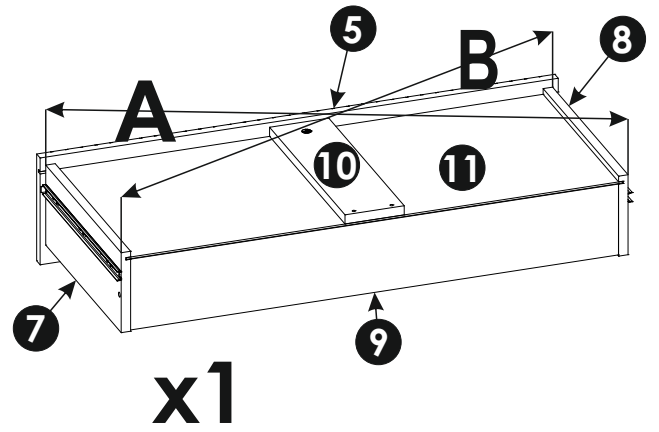
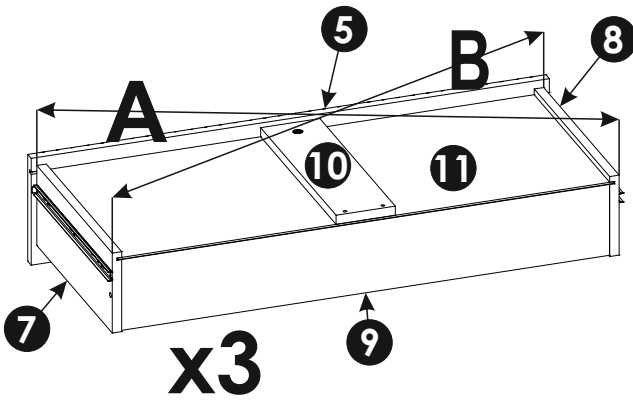




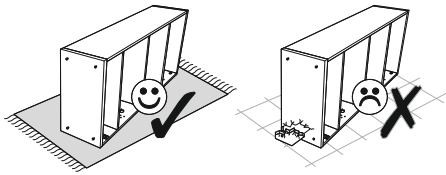
21 ▶



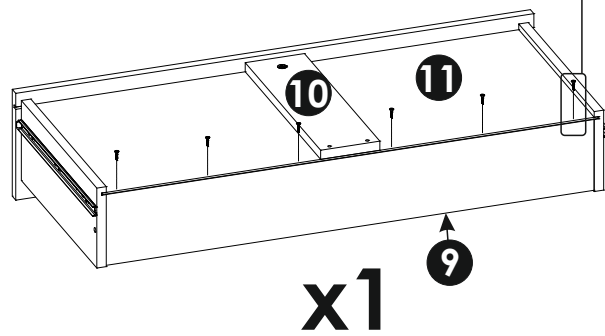
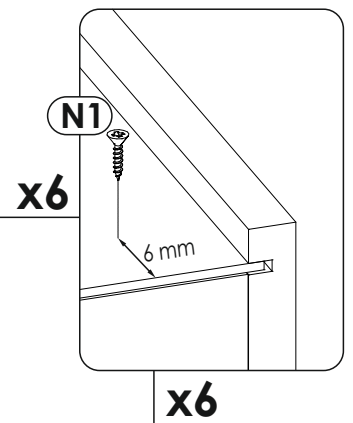
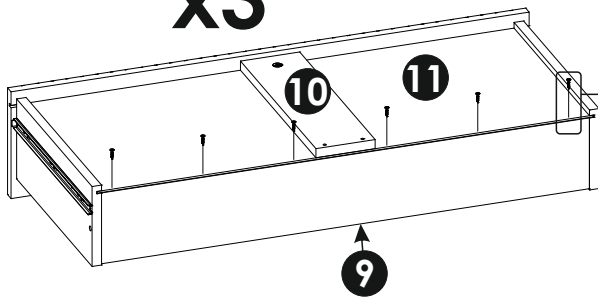
A=B



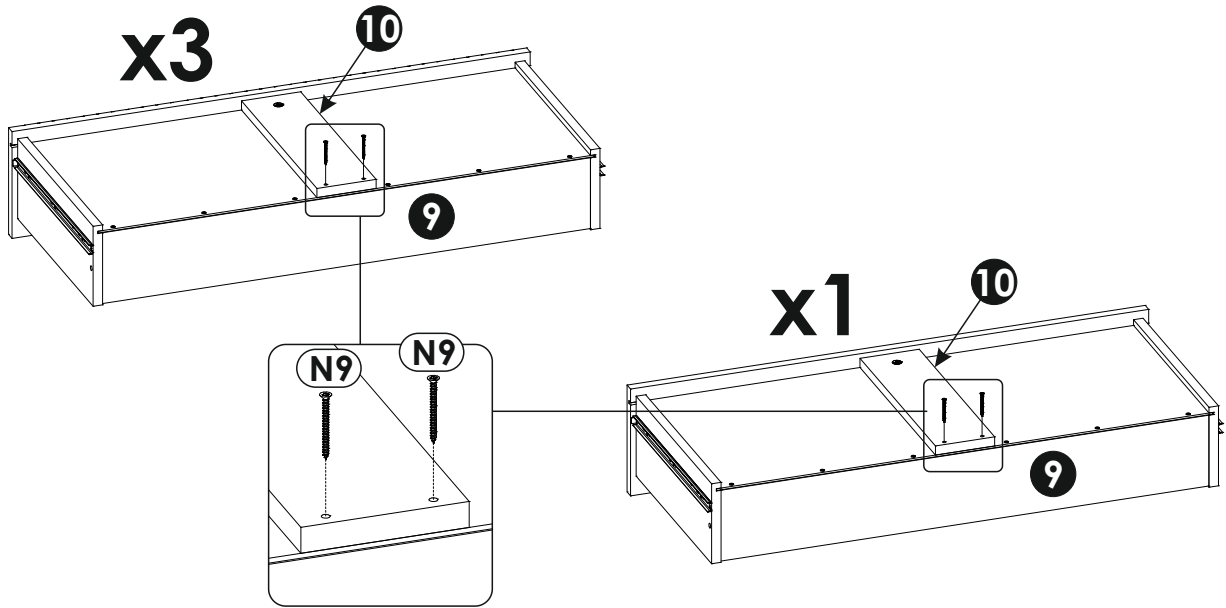
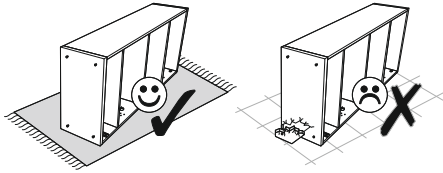
22 ▶



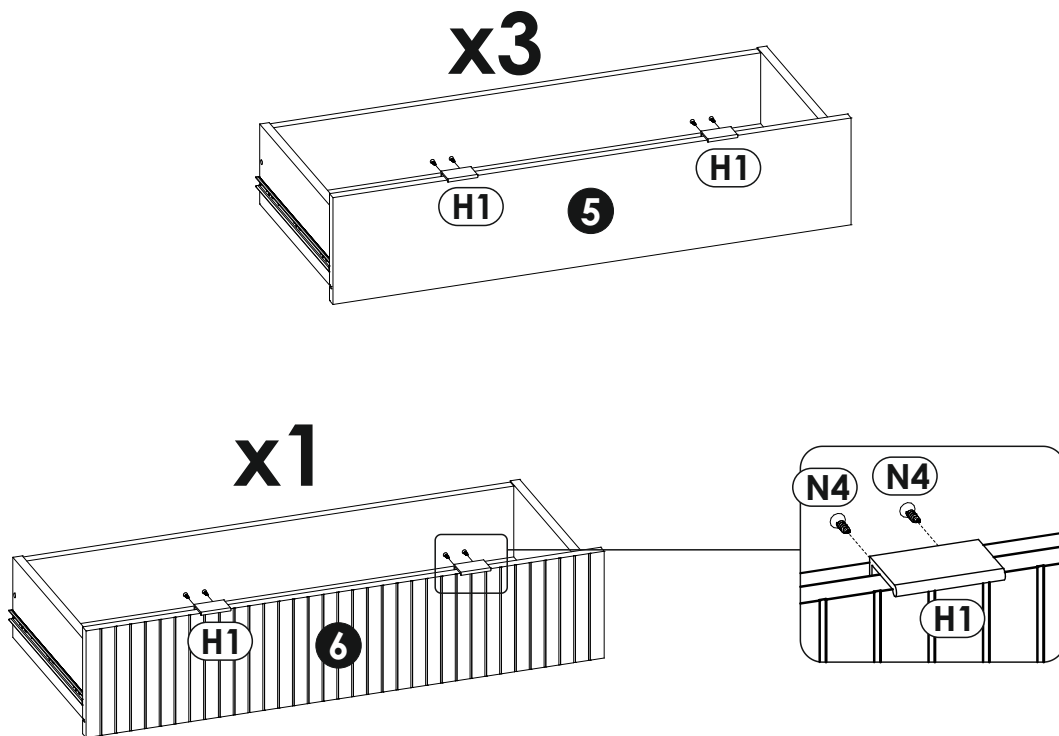
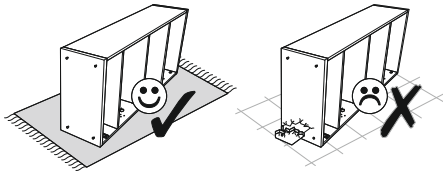
x3



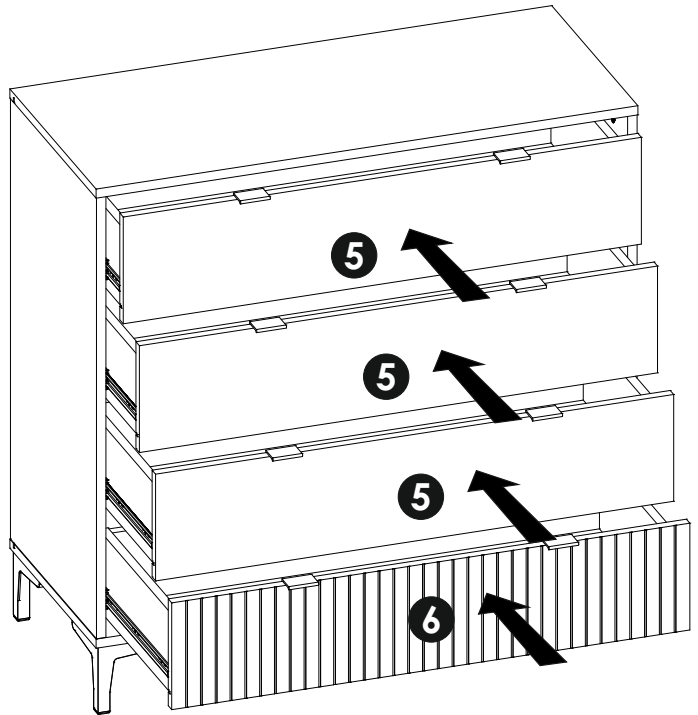
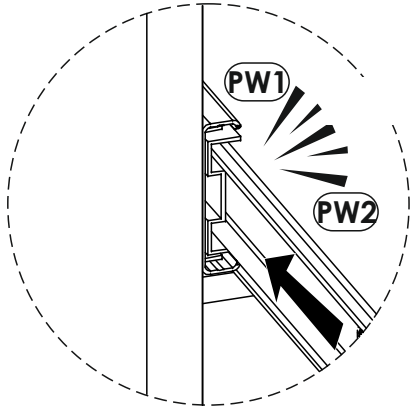
23 ▶



24 ▶



25▶



26▶

