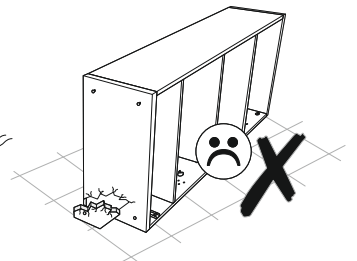
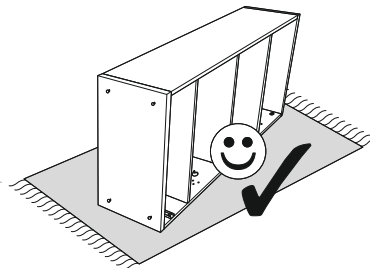
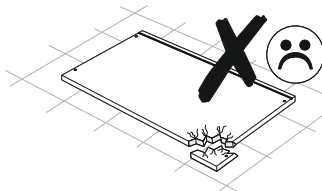
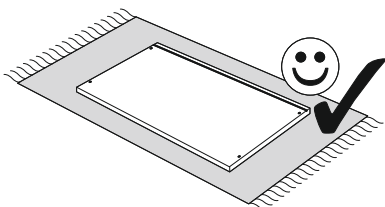
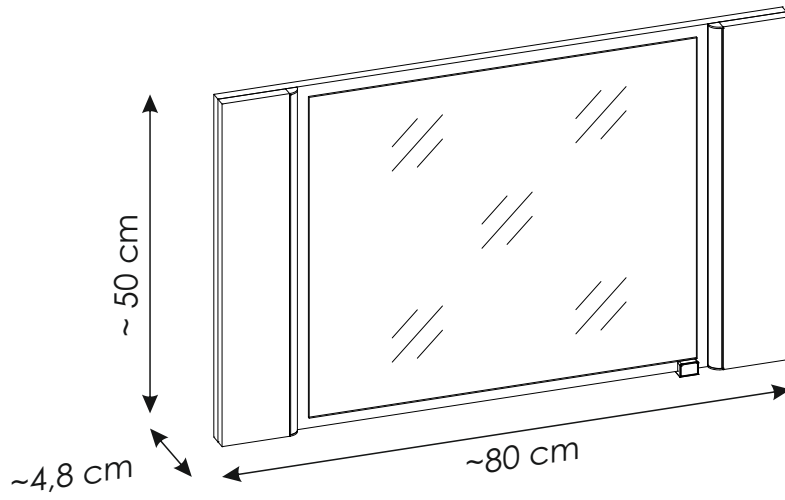
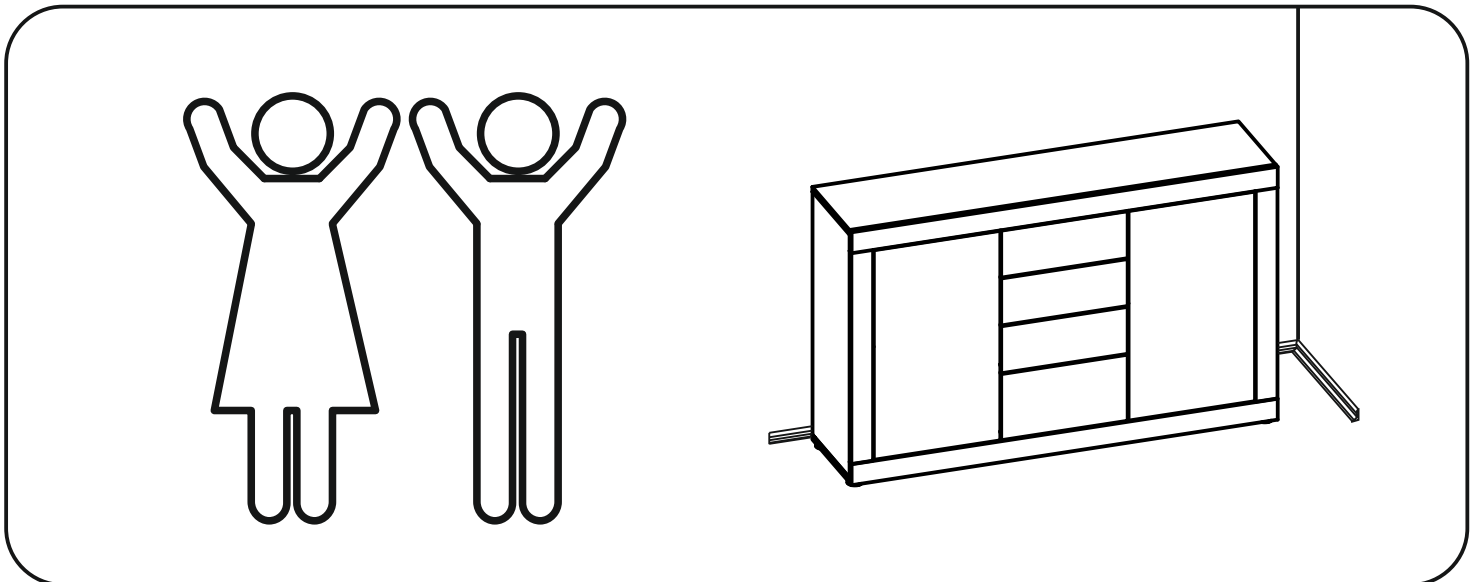
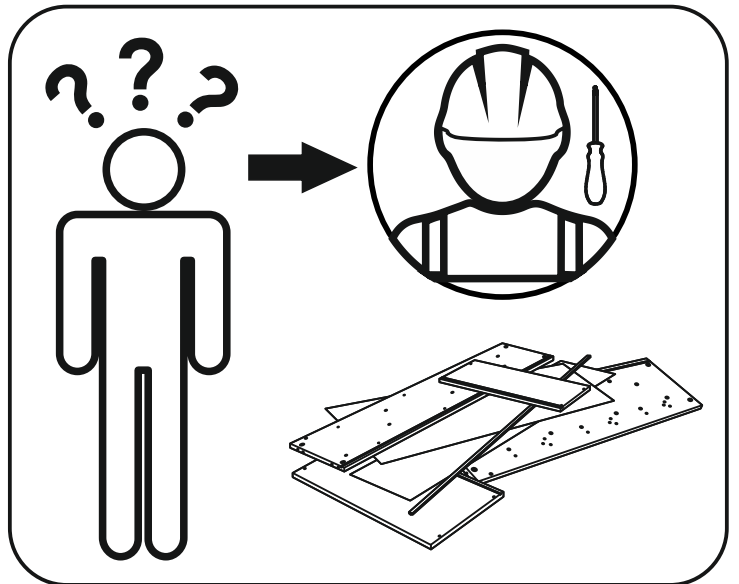
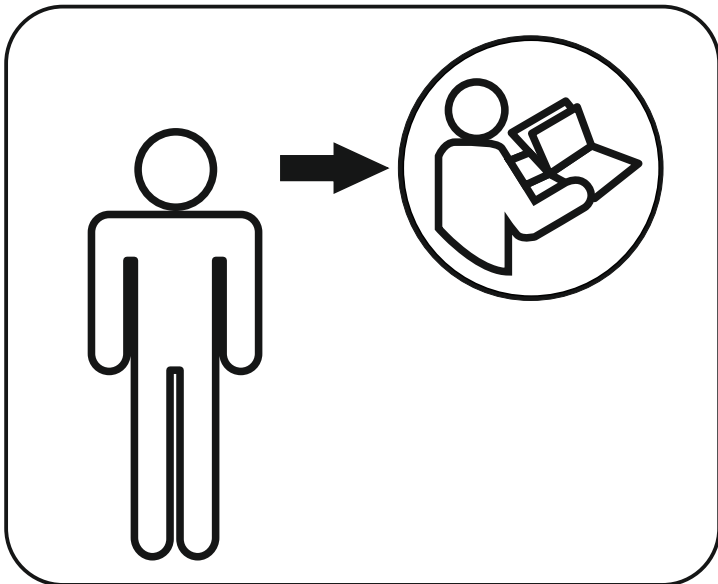
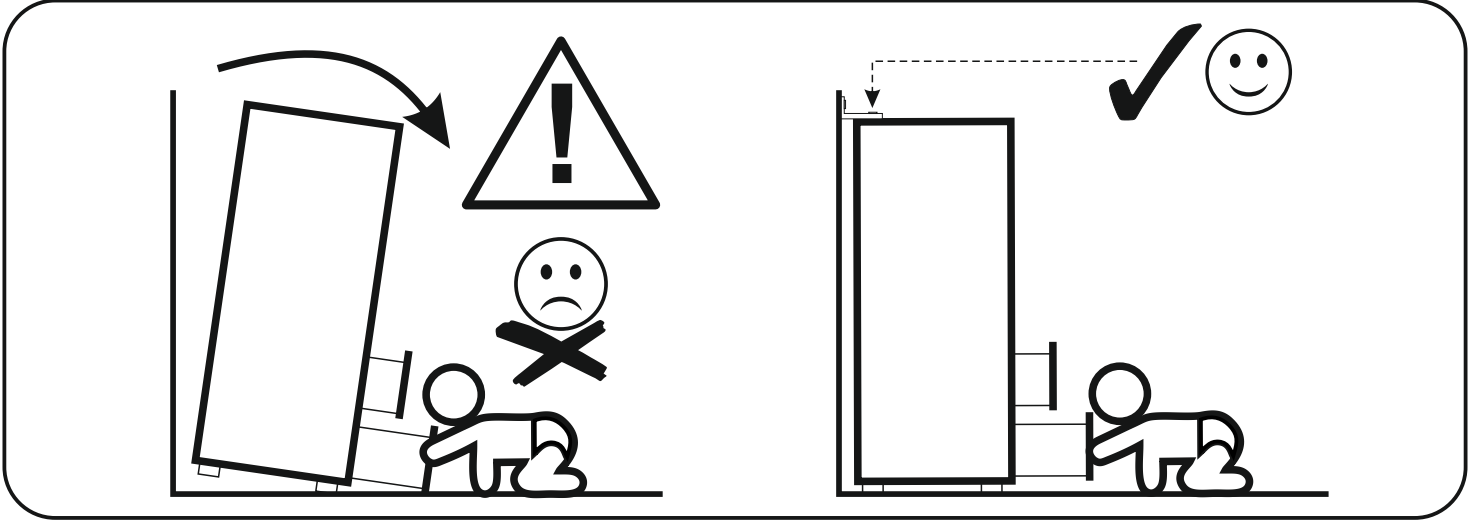
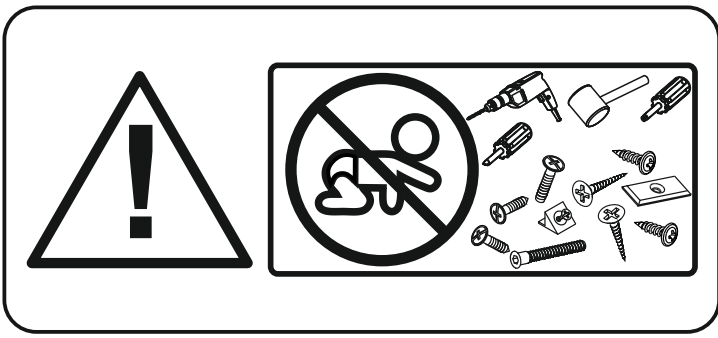
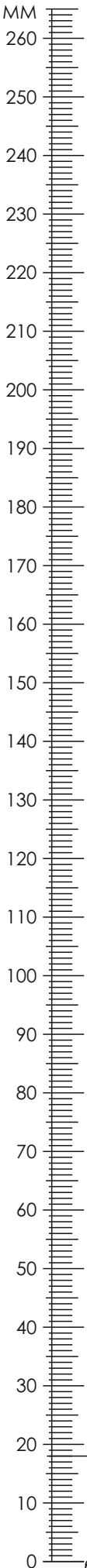
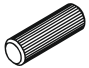
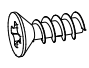
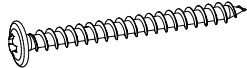

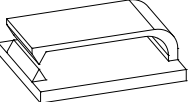
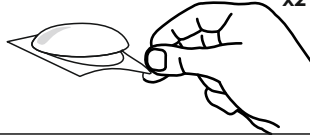
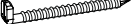



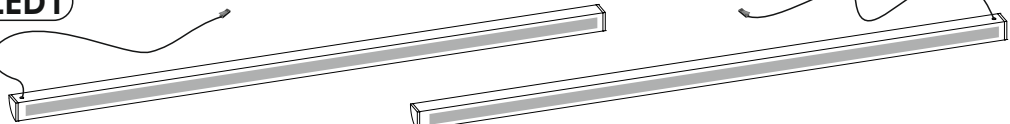
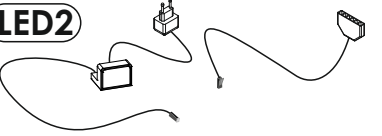
Ø10

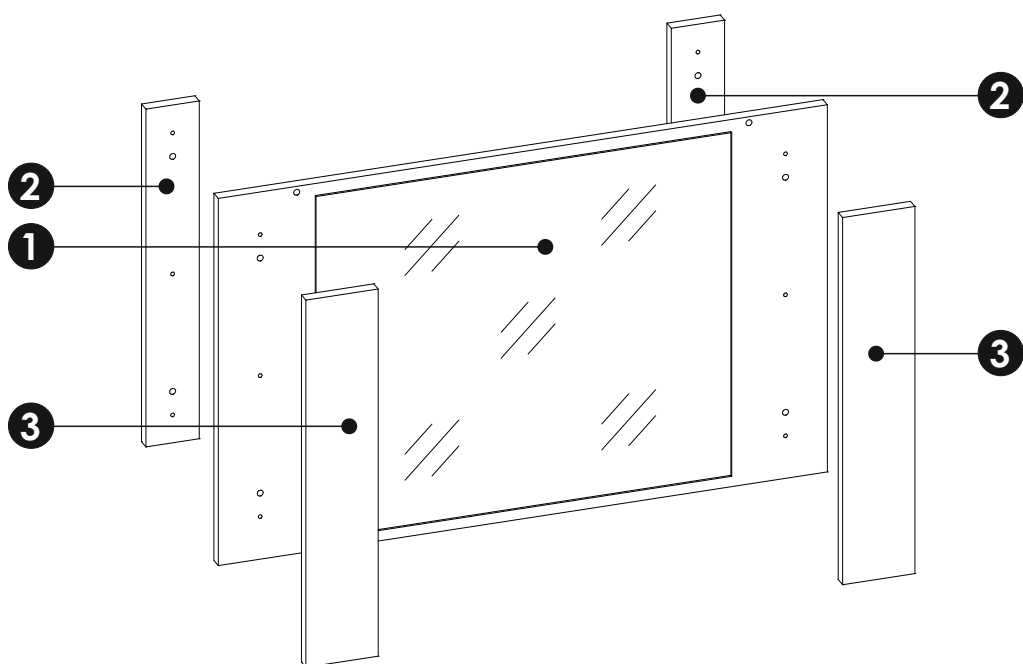
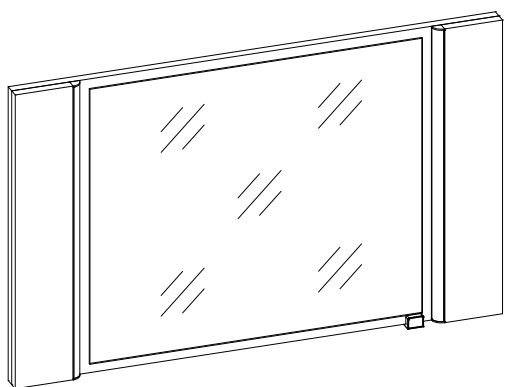






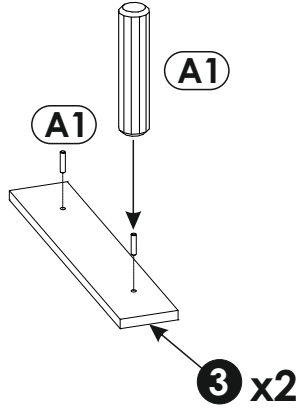
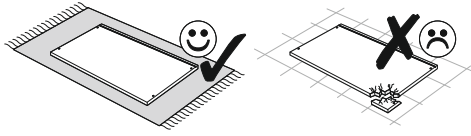
| | | |
|---|---|--|
| A1 8 x 35 mm x4  | C2 5 x 13 mm x4  | I16 4 x 45 mm x6  |
| P1 x2  | PU x4  | R7 x2  |
| Y2 x2   Ø10 | | |

| |
|---|
| LED1 x1  |
| LED2 x1  |

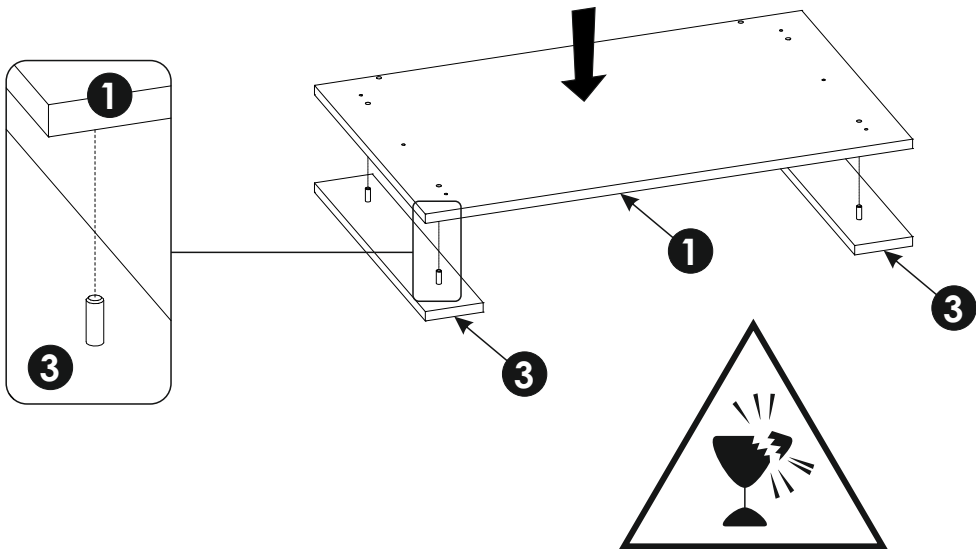
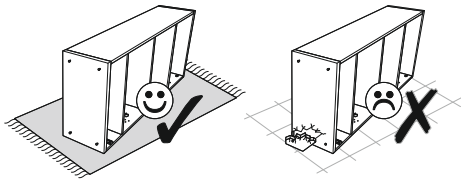


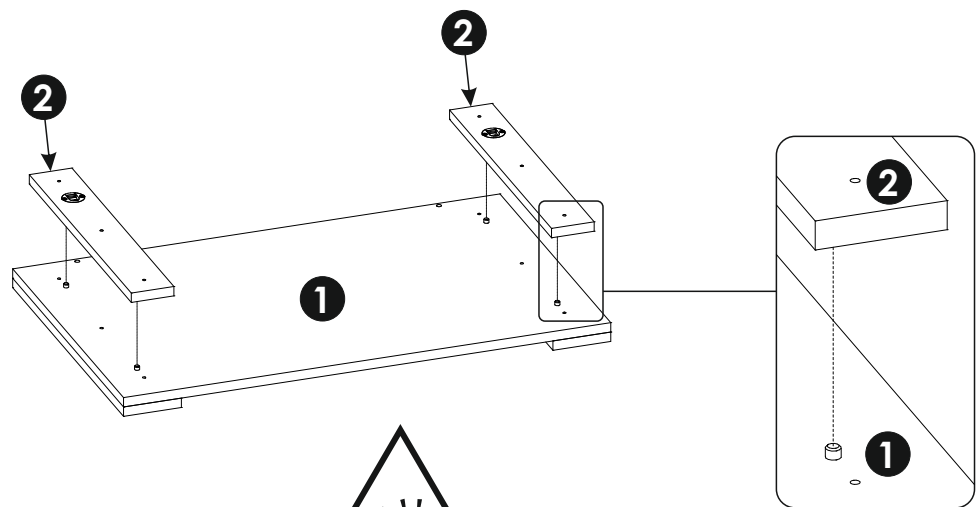
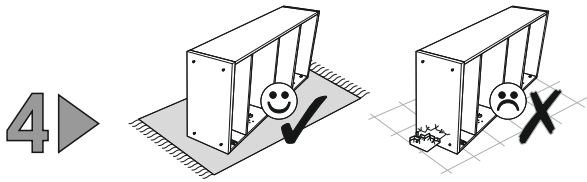
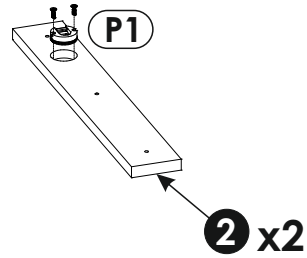
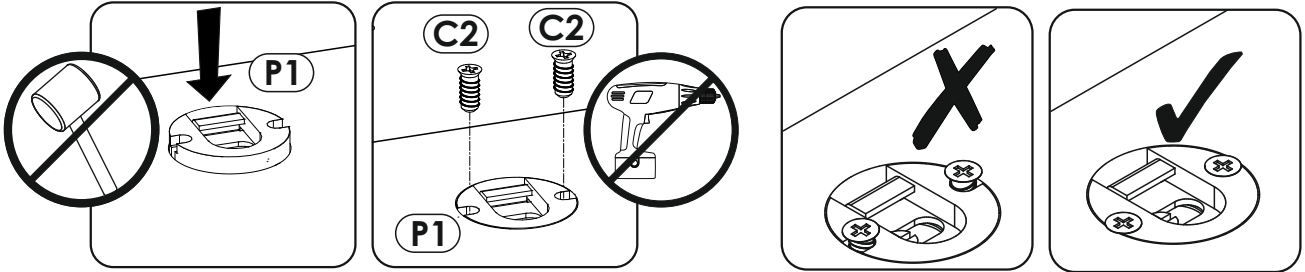
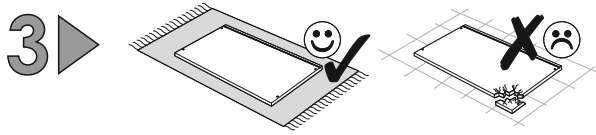
| | | | | | |
|----------|-----|-----|----|----|-----|
| 1 | 800 | 500 | 20 | x1 | 1/1 |
| 2 | 460 | 70 | 16 | x2 | 1/1 |
| 3 | 95 | 500 | 16 | x2 | 1/1 |

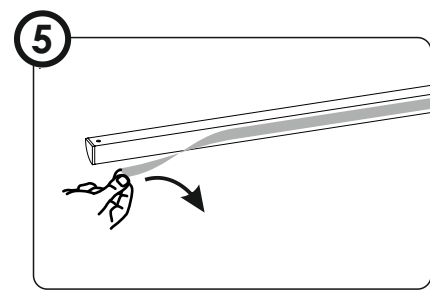
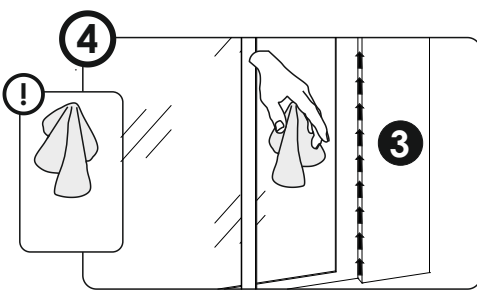
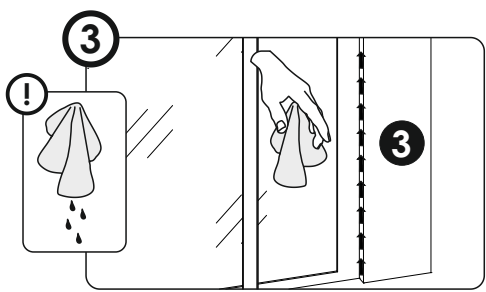
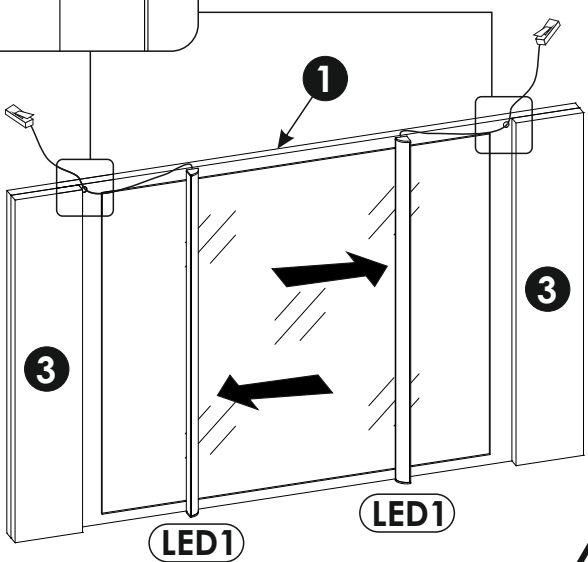
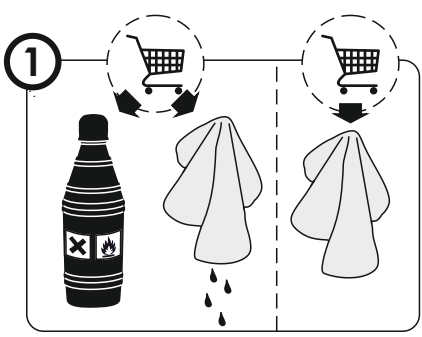
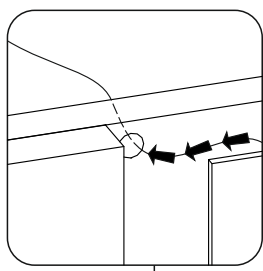
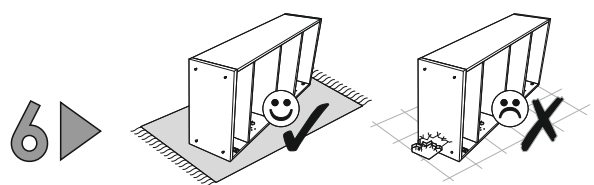
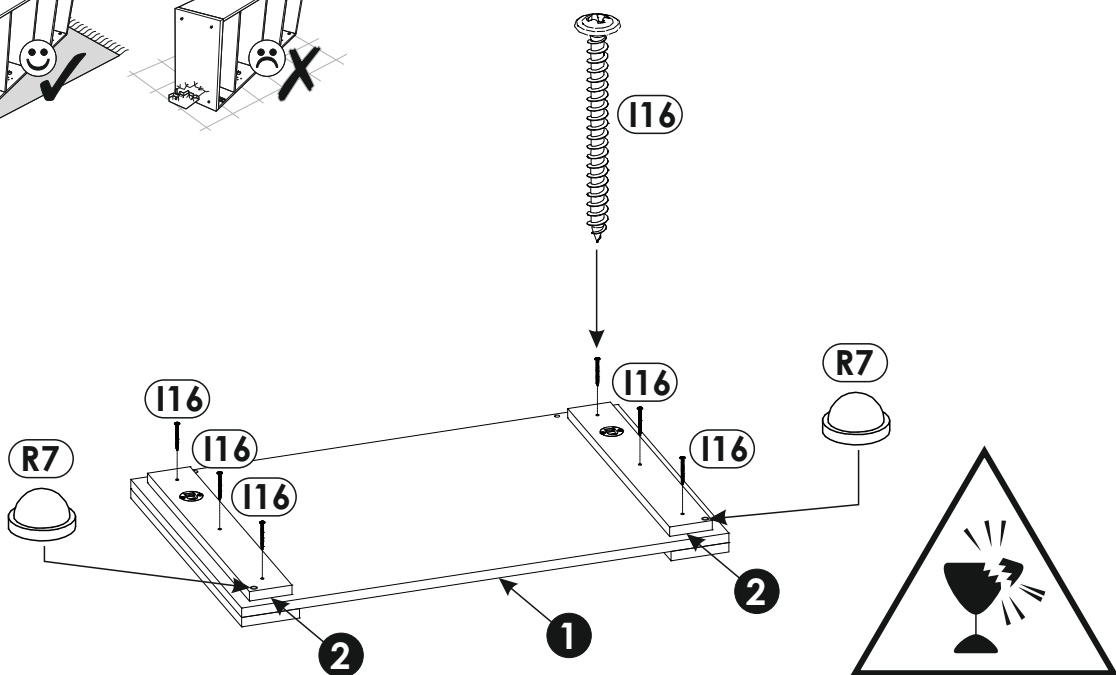
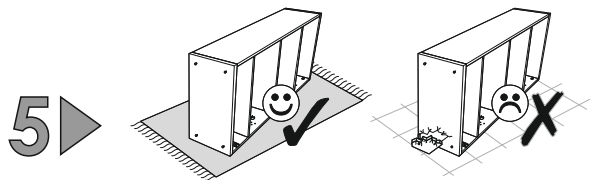
1 ▶

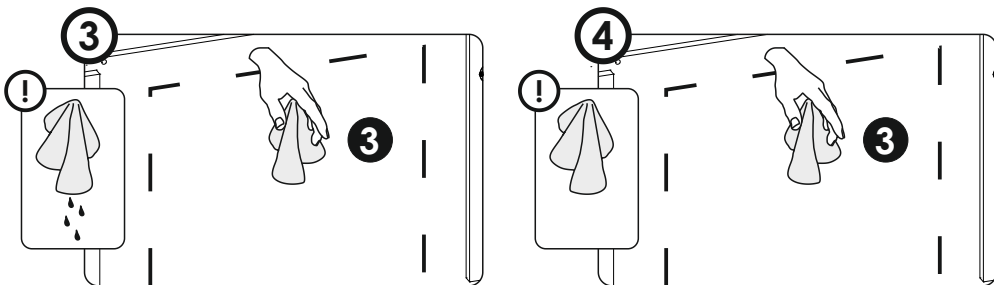
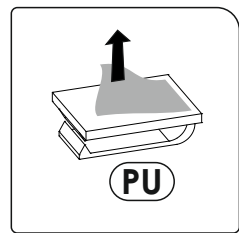
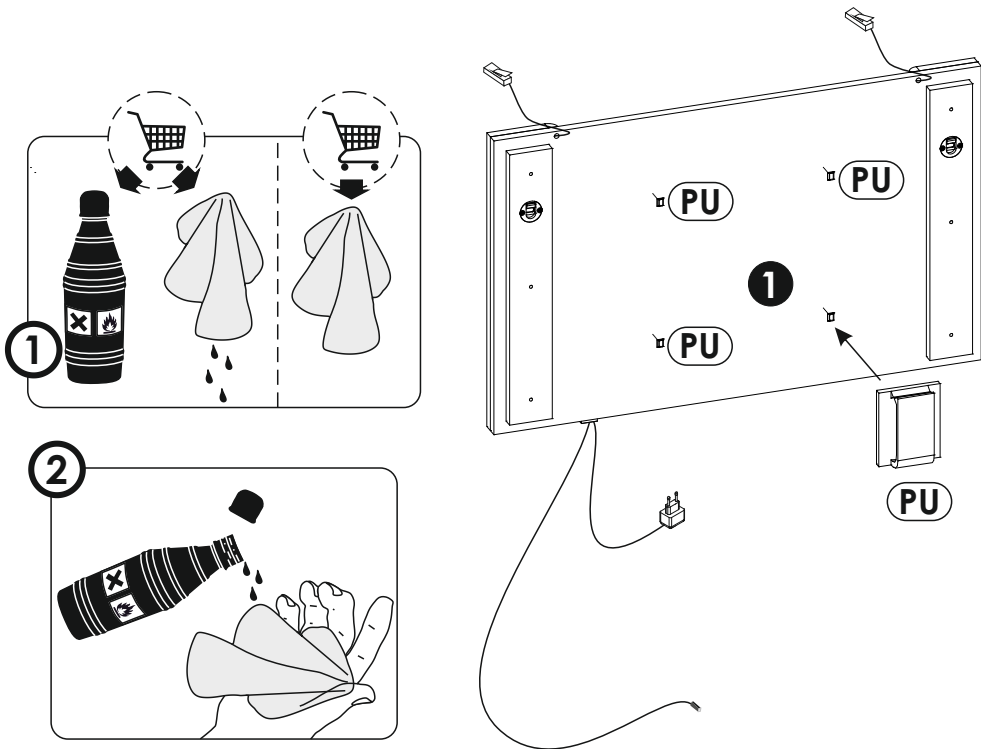
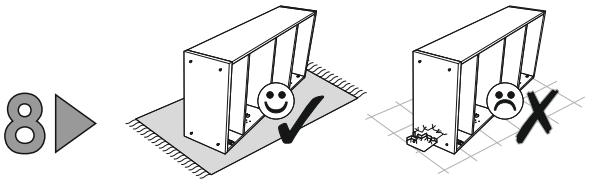
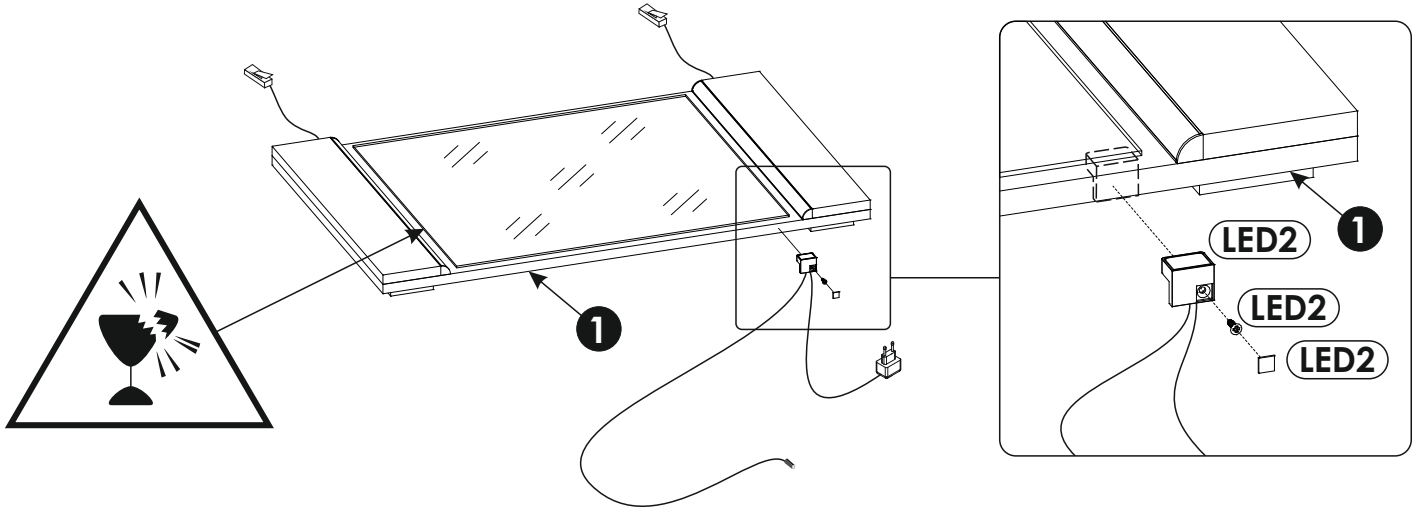
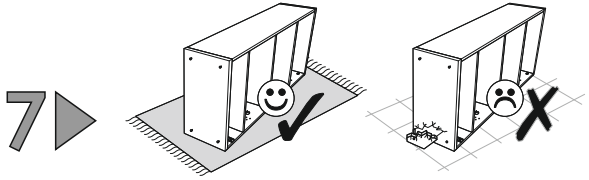


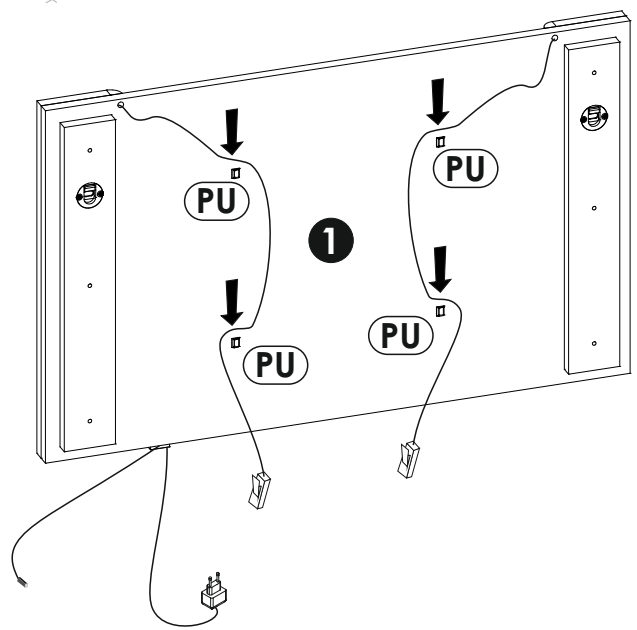
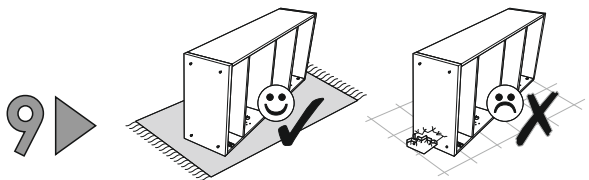
2 ▶











10 ▶

