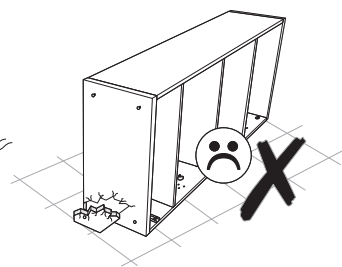
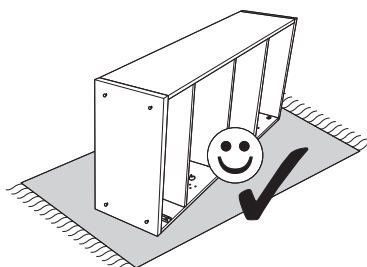
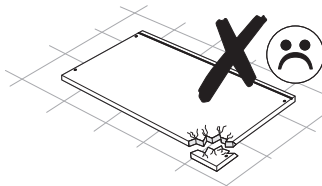
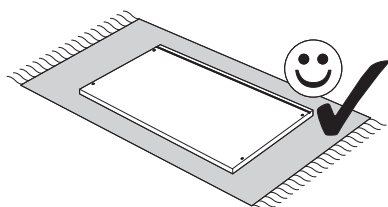
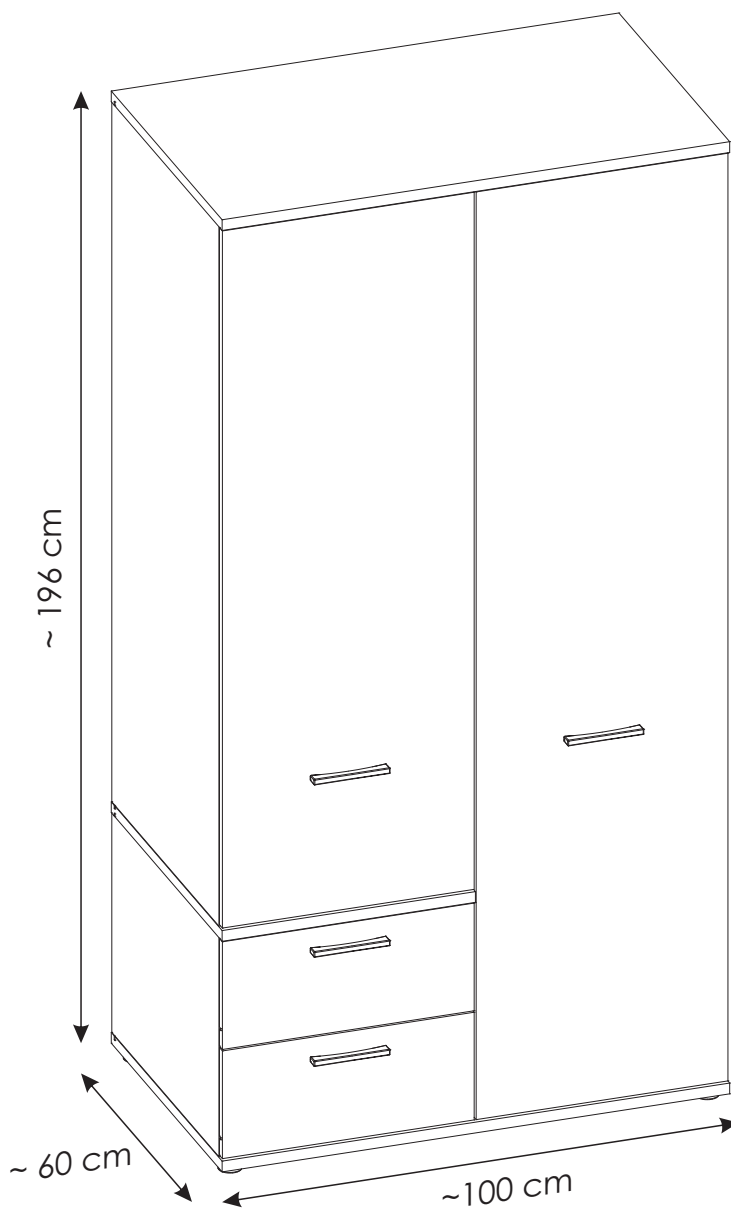
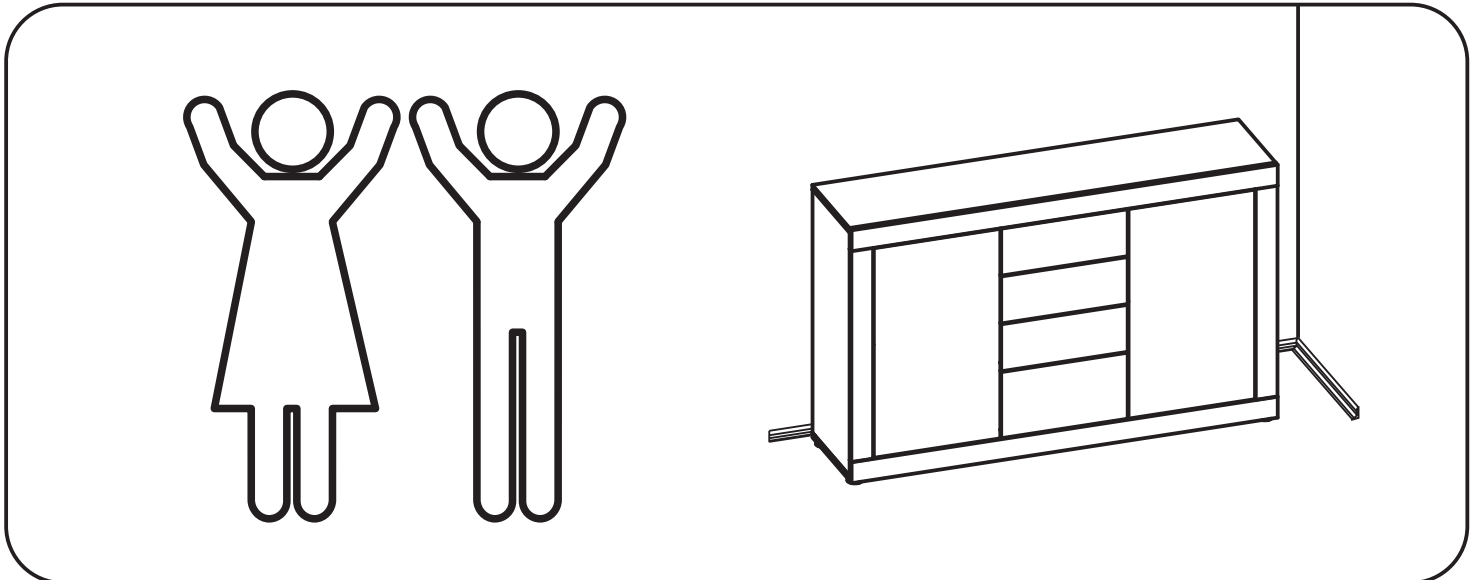
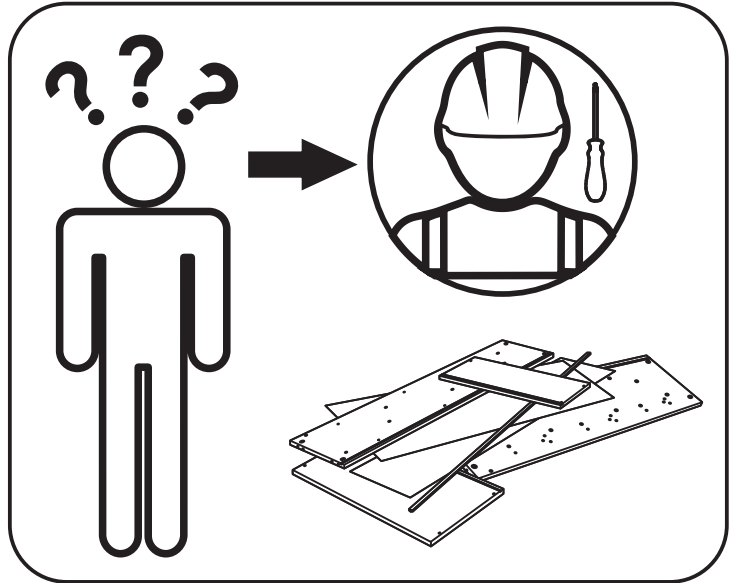
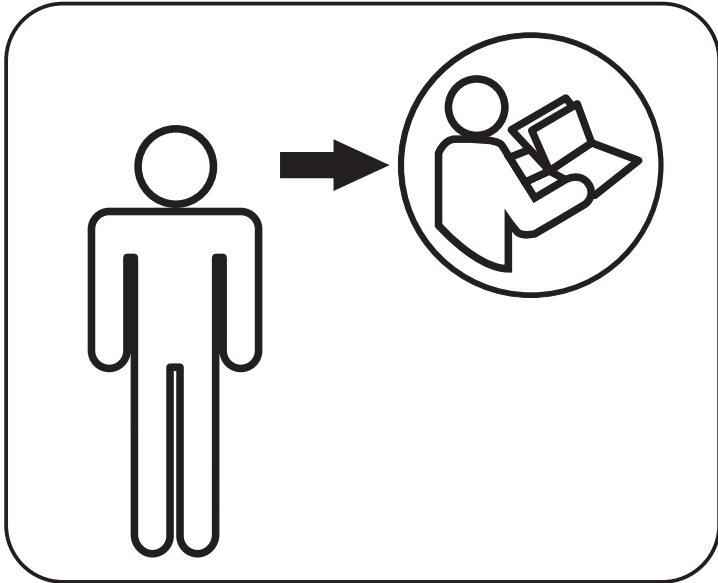
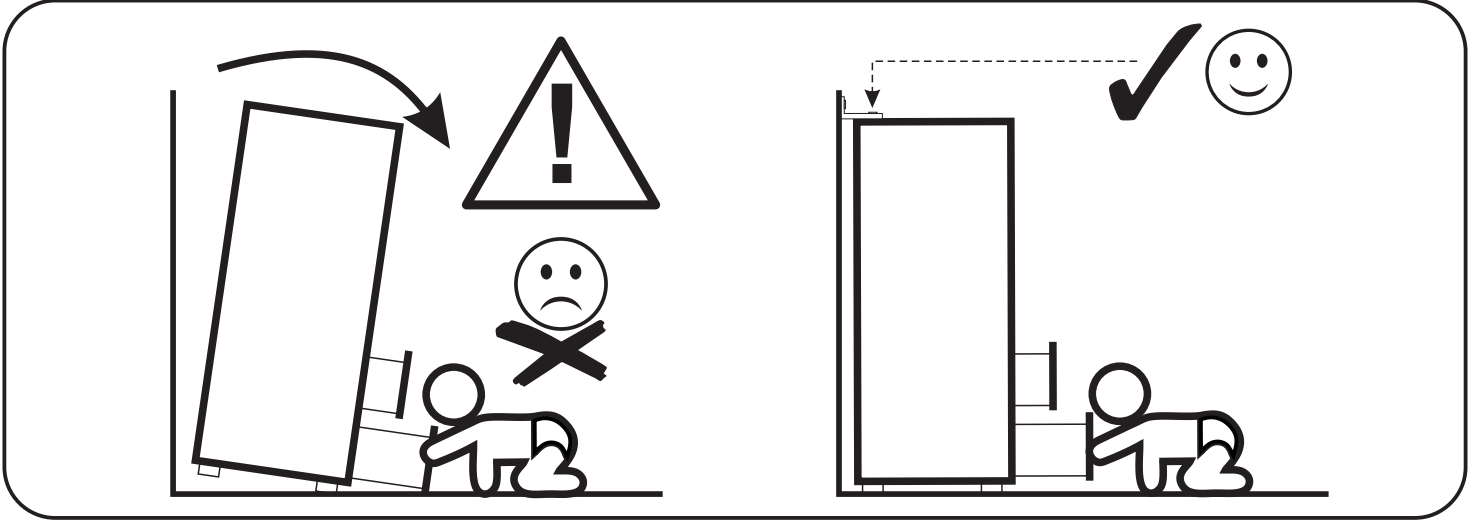
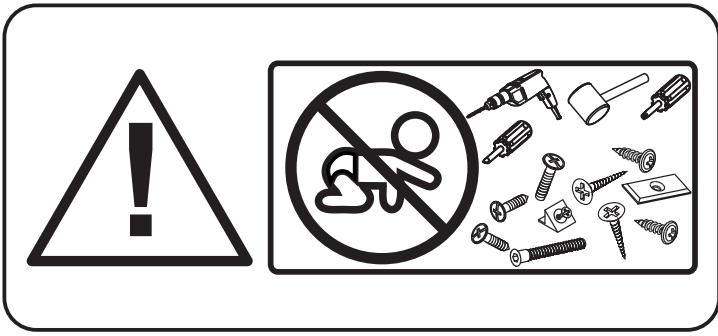
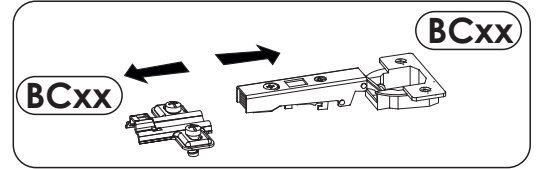
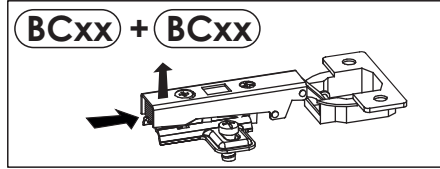
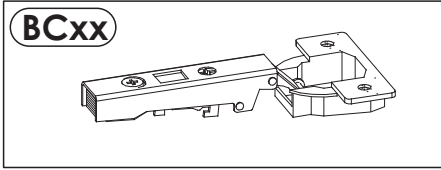
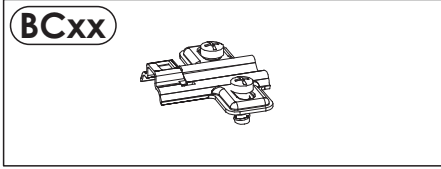


Ø8







MM

260

250

240

230

220

210

200

190

180

170

160

150

140

130

120

110

100

90

80

70

60

50


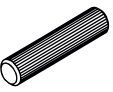
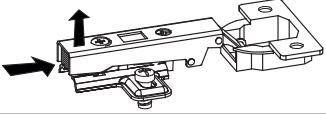
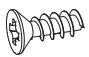
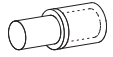
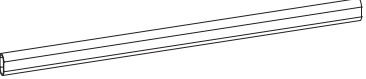
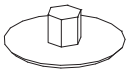

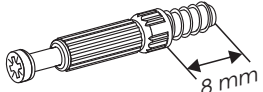
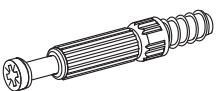
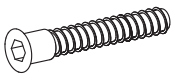


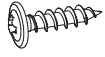


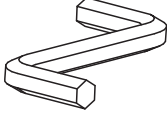



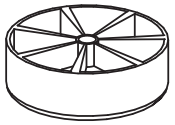
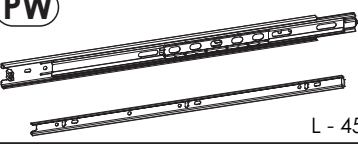
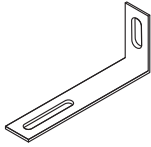
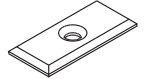
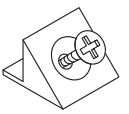
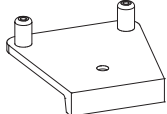
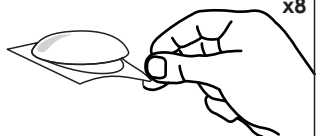
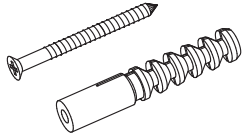
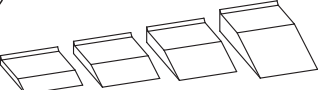
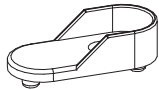
40

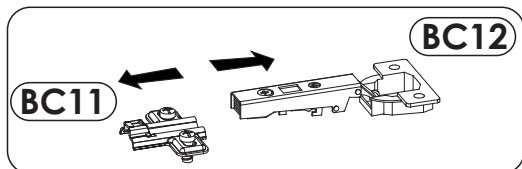
30

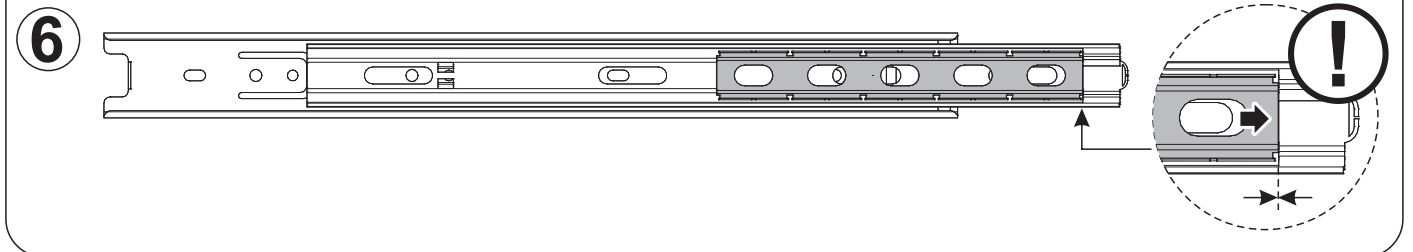
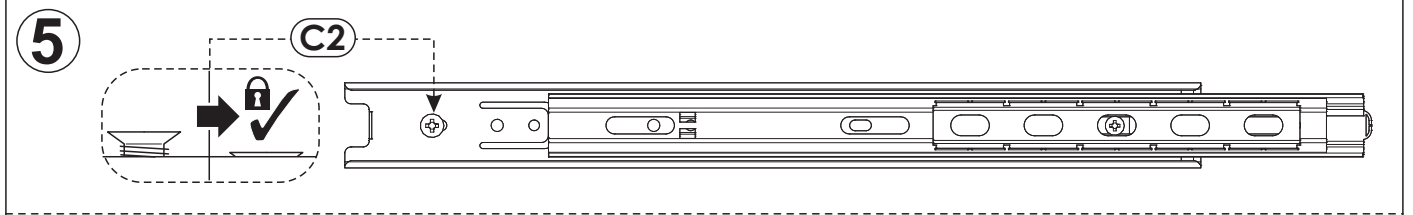
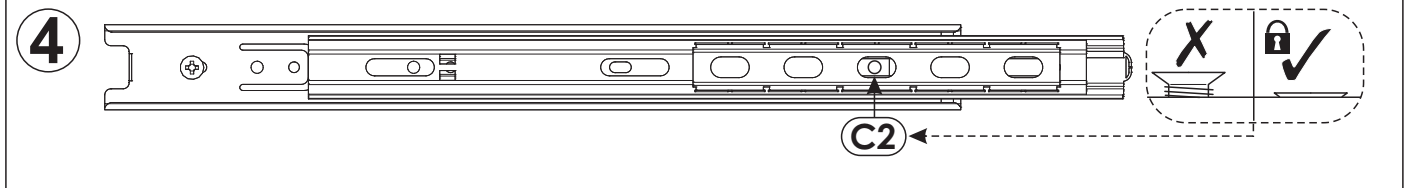
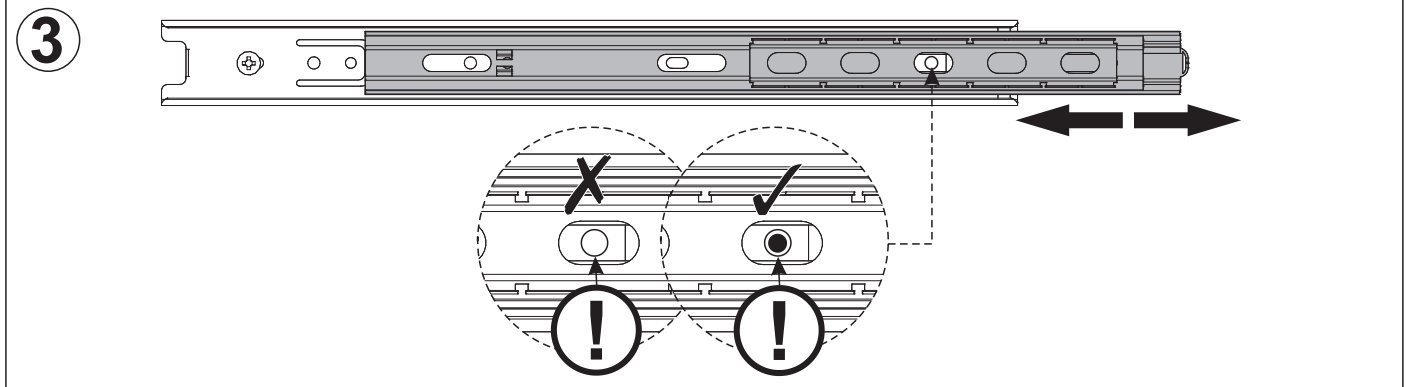
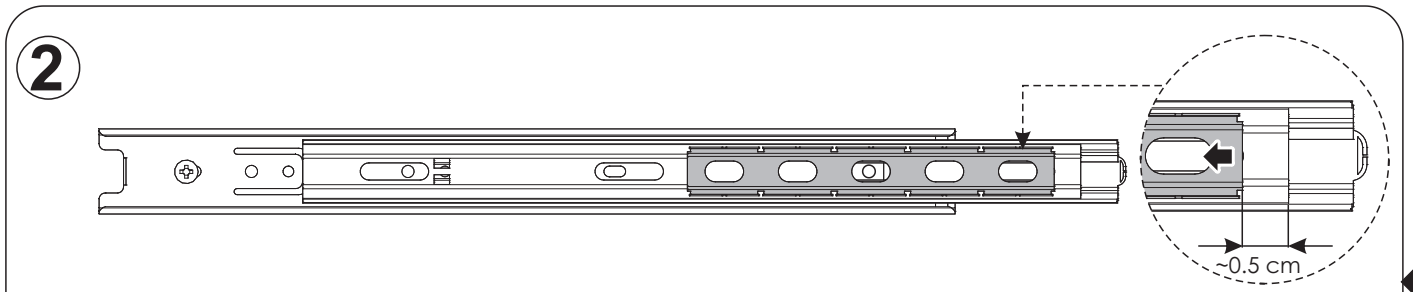
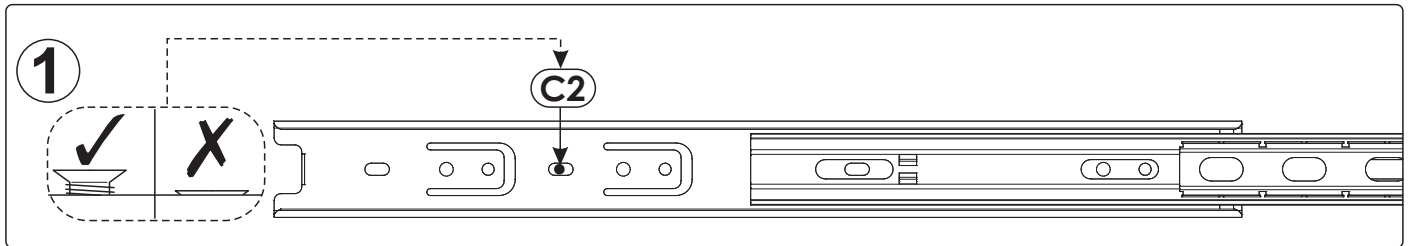
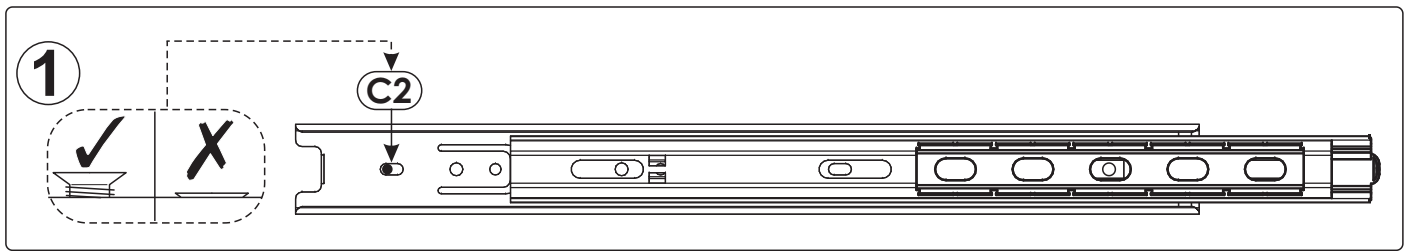
20

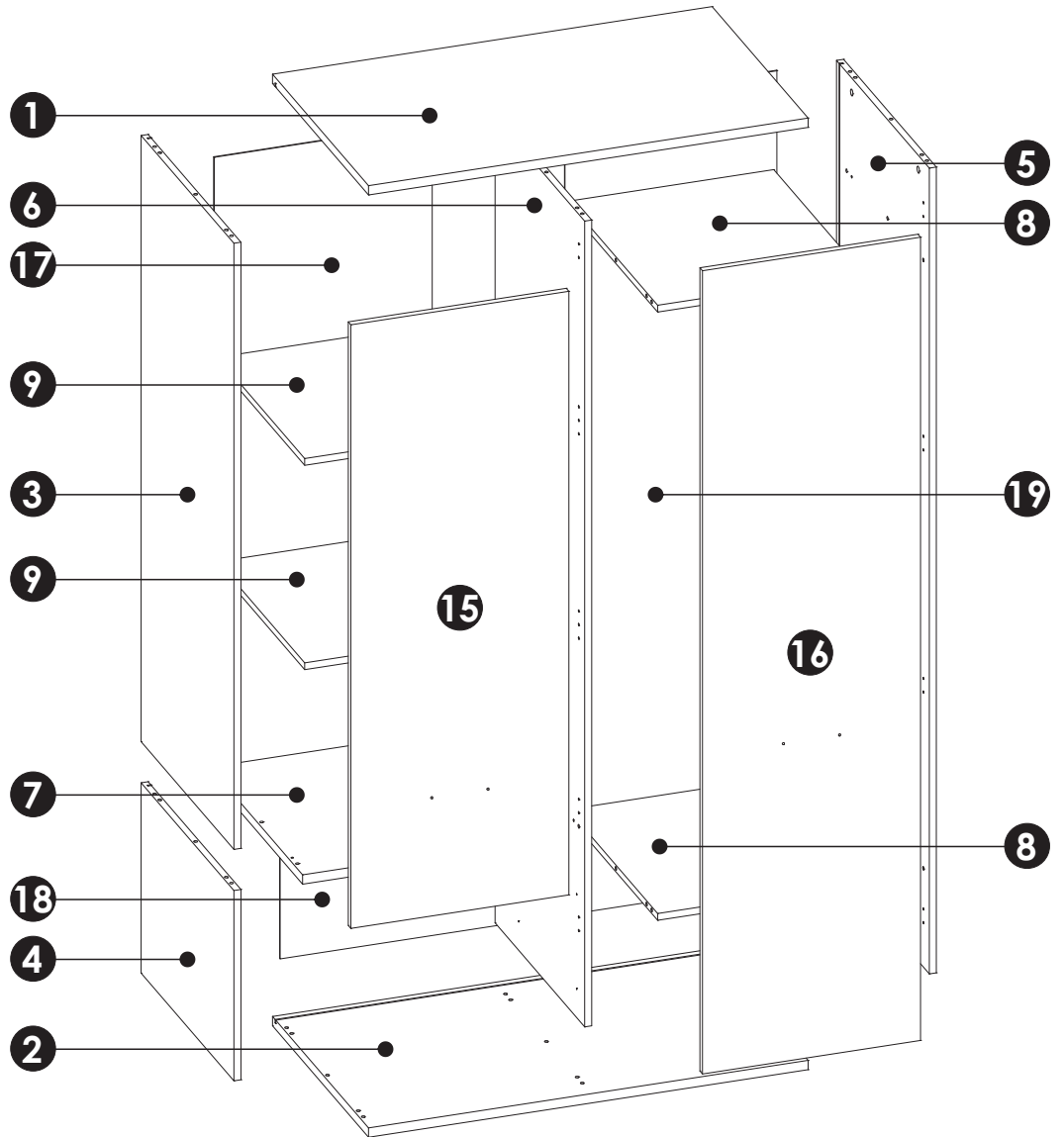
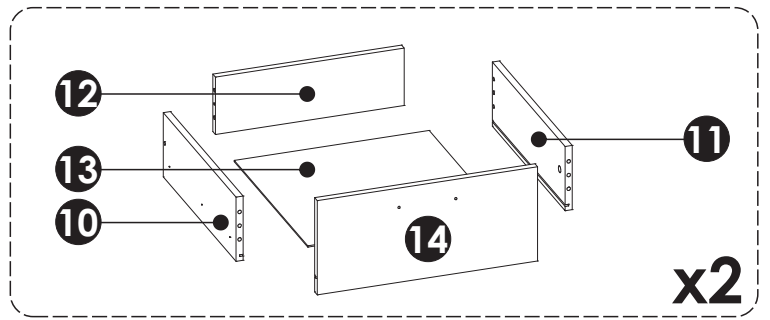
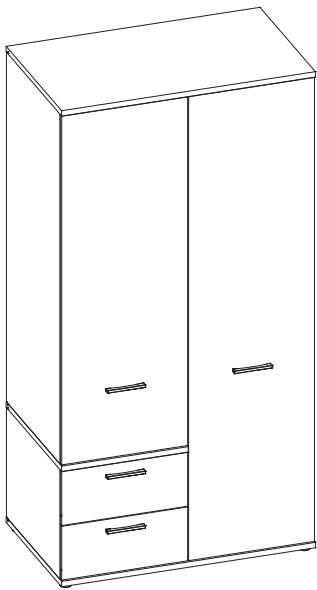
10

0

A1 8 x 35 mm x49 	A3 8 x 60 mm x3 	BC11 + BC12 x7 
C2 5 x 13 mm x22 	D2 x8 	DR L - 459 mm x1 
E0 Ø16 x20 	E1 15 x 12 mm x24 	F0 6 x 34 mm x4 8 mm 
F1 6 x 34 mm x20 	G1 7 x 50 mm x4 	G2 7 x 60 mm x6 
H1 L - 150 mm x4 	I2 4 x 16 mm x2 	I3 3,5 x 22 mm x5 
I12 4 x 27 mm x8 	M x1 	N0 3 x 13 mm x3 
N1 3 x 16 mm x20 	N5 3,5 x 16 mm x14 	O1 x5 
PW x4 L - 450mm 	Q9 x2 	R1 x12 
R4 x18 	R5 x3 	R8 x8 
S13 x2 Ø8 	Z x1 	Z1 x2 



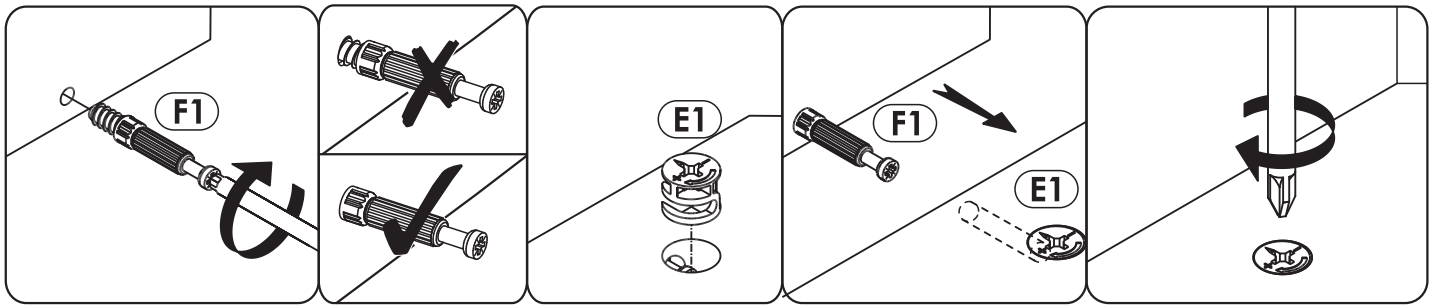




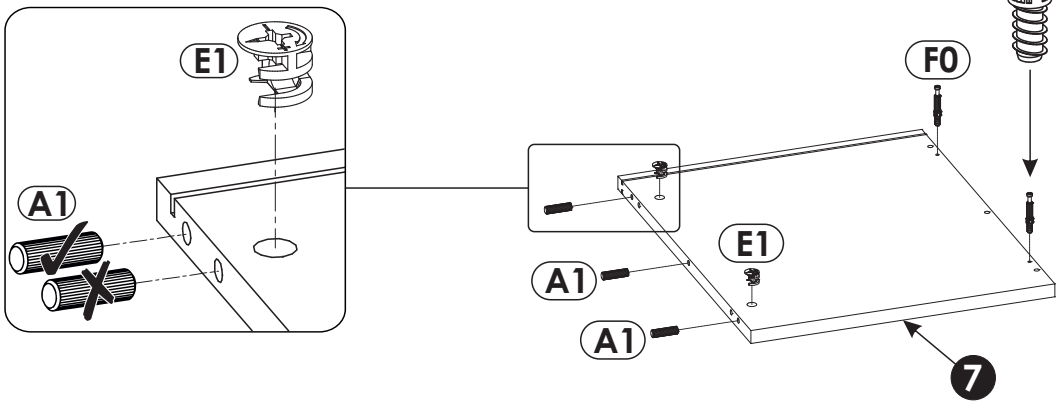
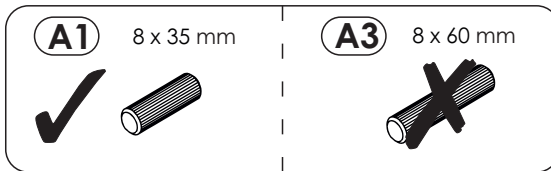
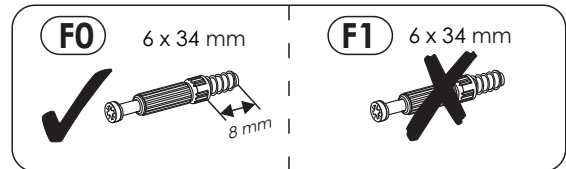
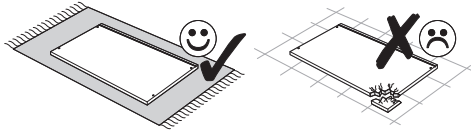
1	1000	600	22	x1	2/4
2	1000	600	22	x1	2/4
3	1430	580	16	x1	4/4
4	449	580	16	x1	1/4
5	1901	580	16	x1	4/4
6	1901	560	16	x1	3/4

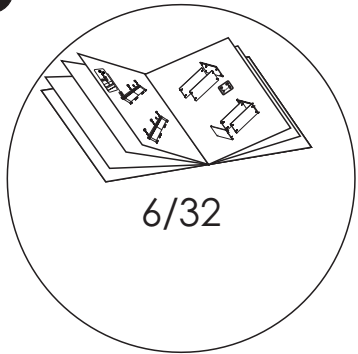
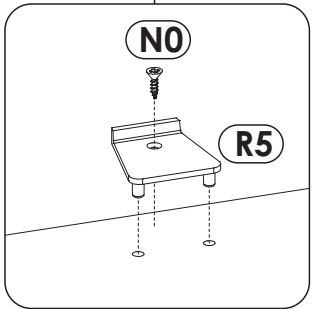
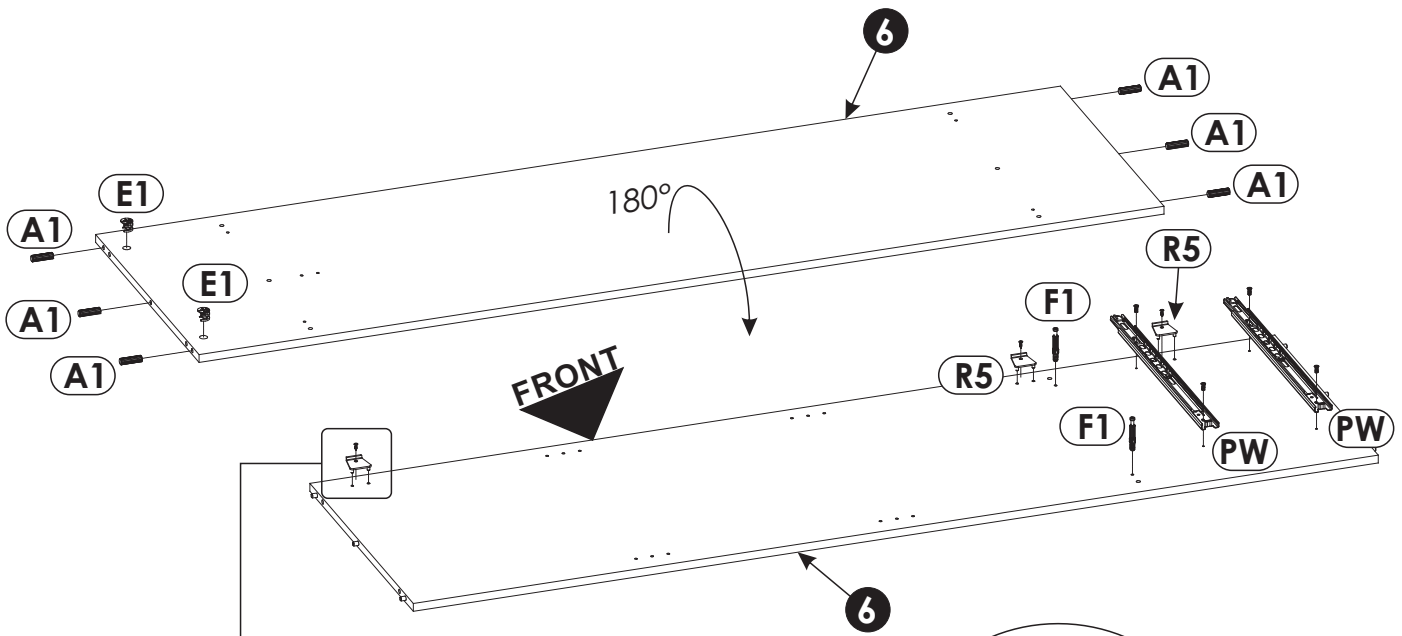
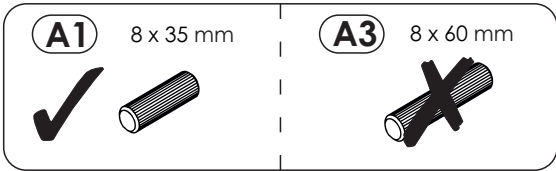
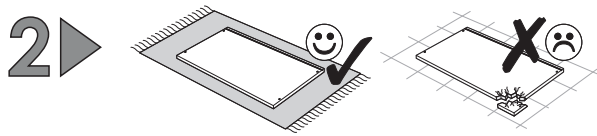
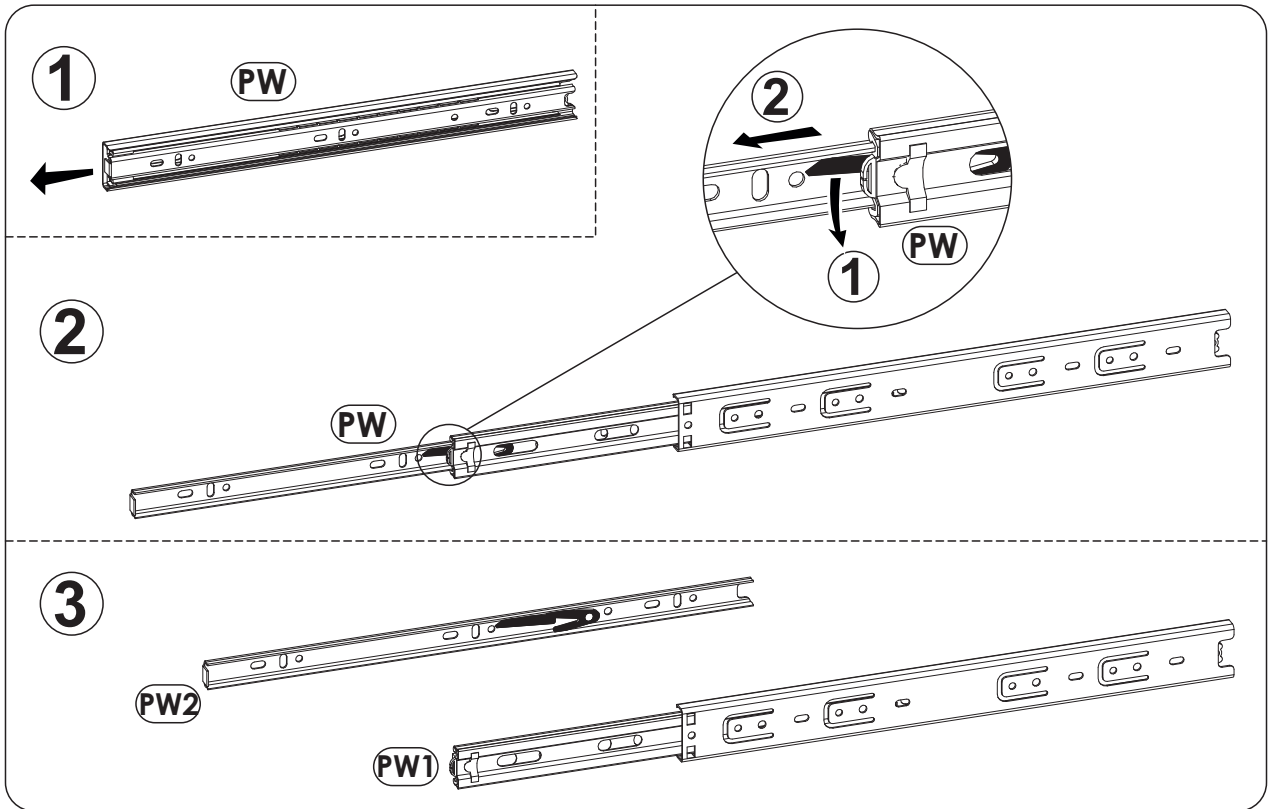
7	499	600	22	x1	2/4
8	468	560	16	x2	1/4
9	481	545	16	x2	1/4
10	450	150	16	x2	1/4
11	450	150	16	x2	1/4
12	425	134	16	x2	1/4

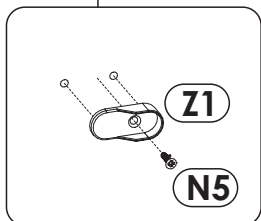
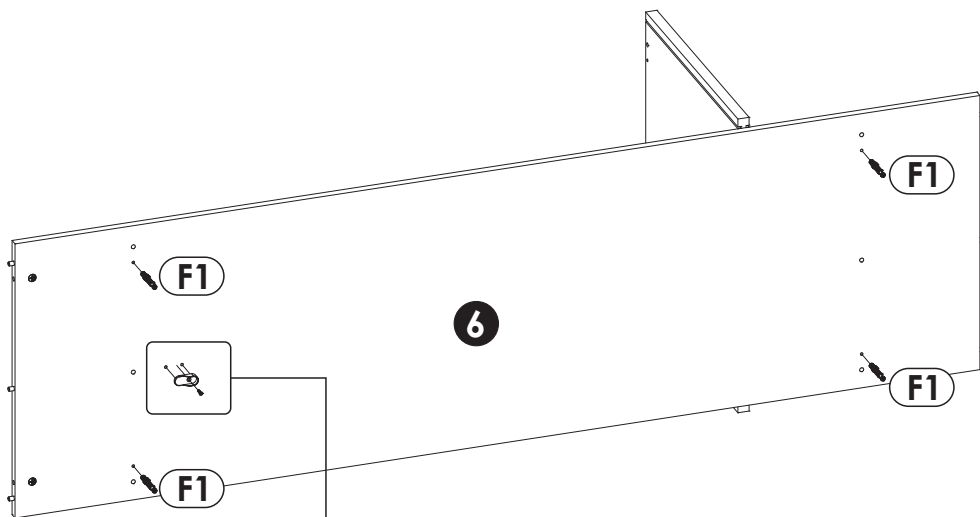
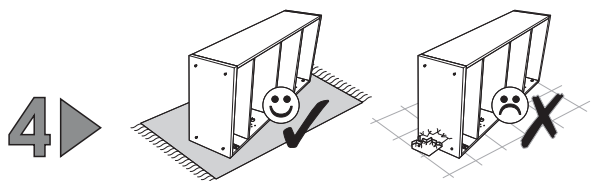
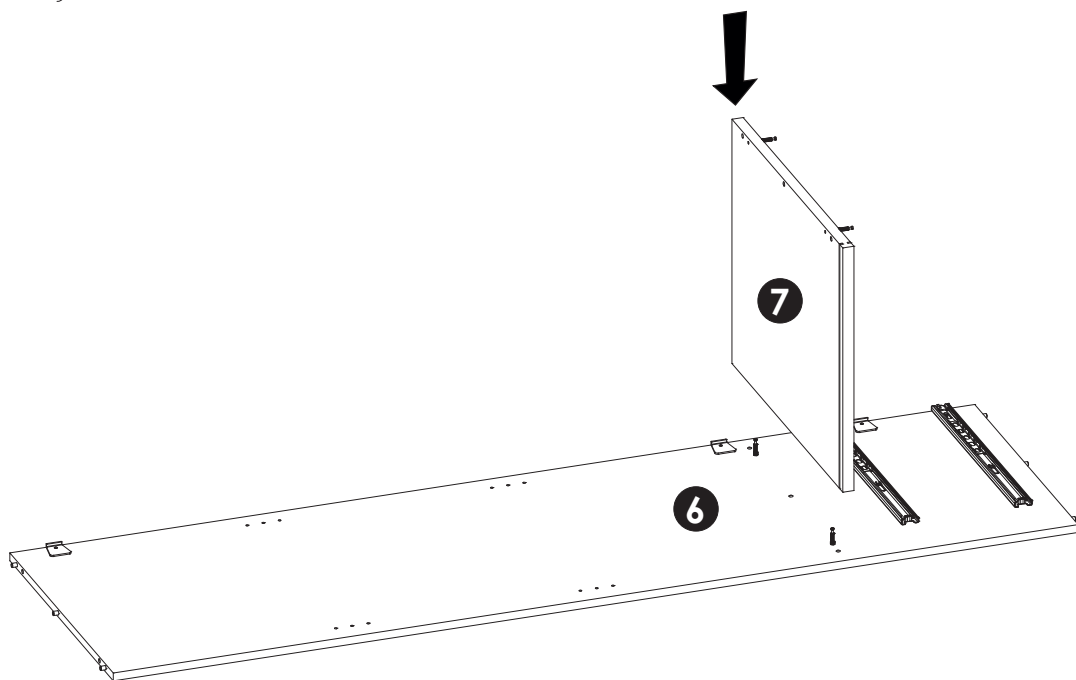
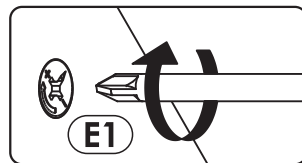
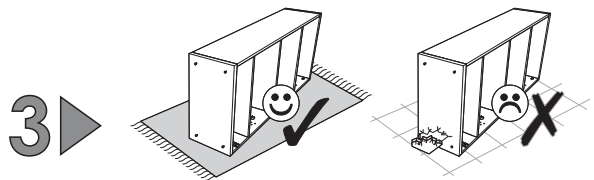
13	439	455	3	x2	1/4
14	496	220	16	x2	1/4
15	1424	496	16	x1	3/4
16	1895	496	16	x1	3/4
17	1442	496	3	x1	4/4
18	461	496	3	x1	4/4
19	1915	482	3	x1	4/4



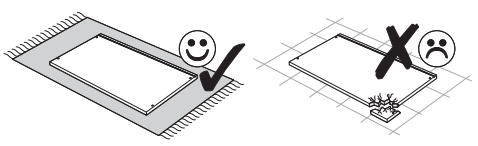
1 ▶





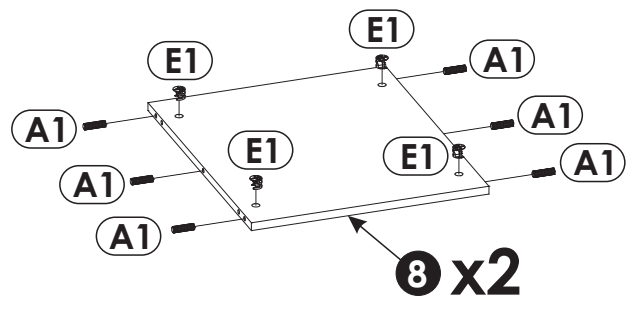




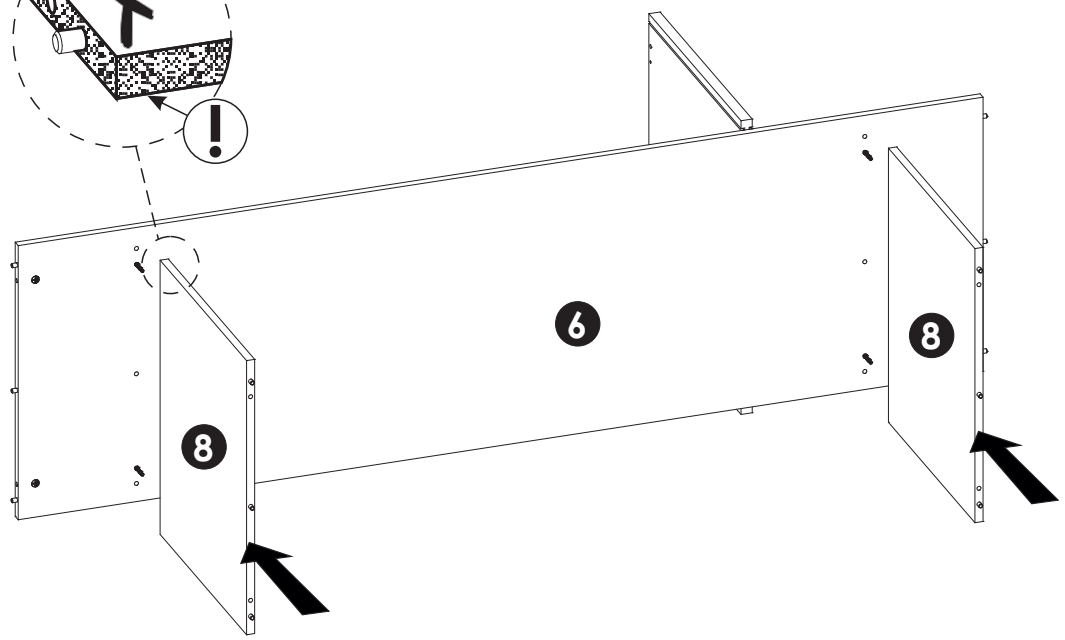
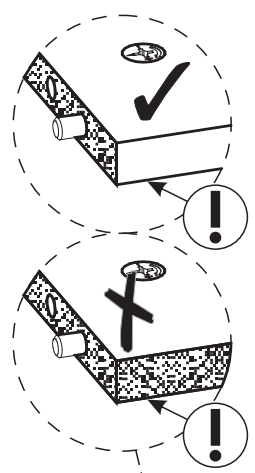
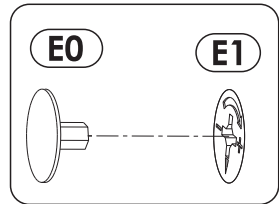
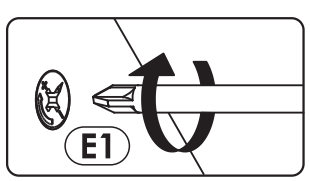
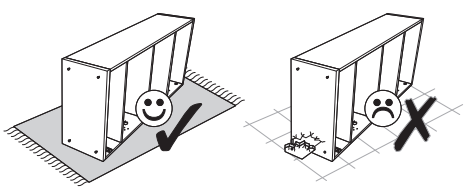
5 ▶

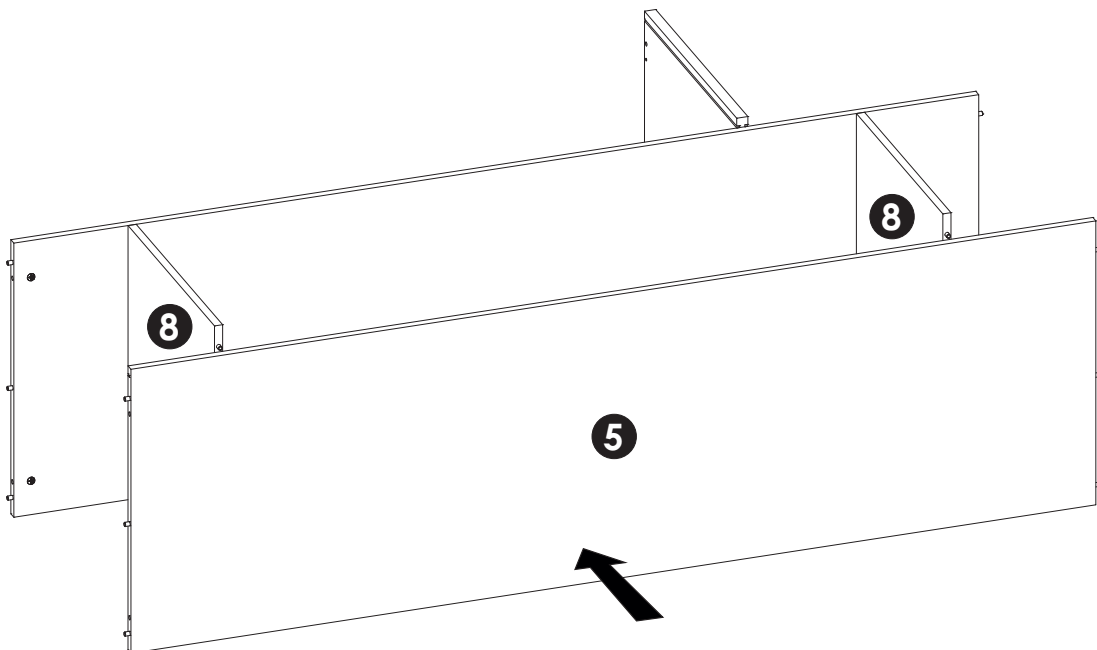
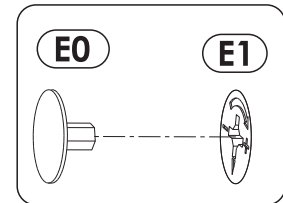
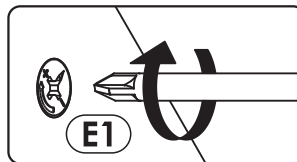
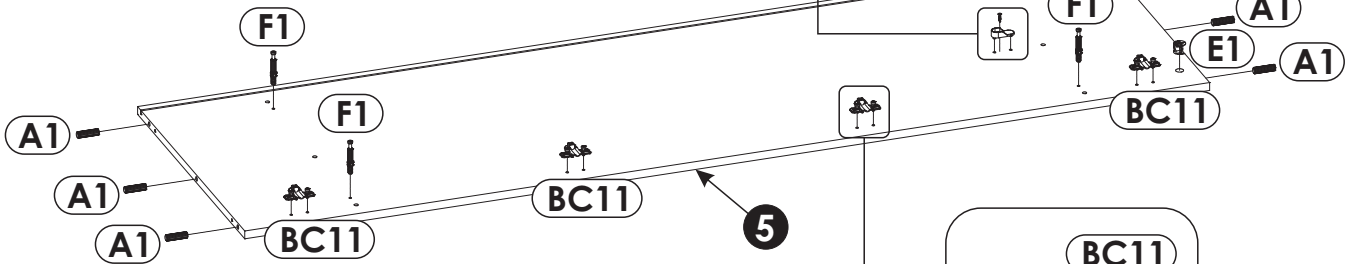
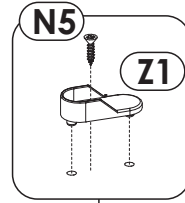
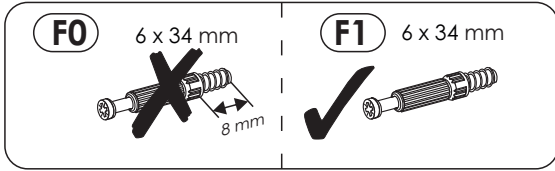
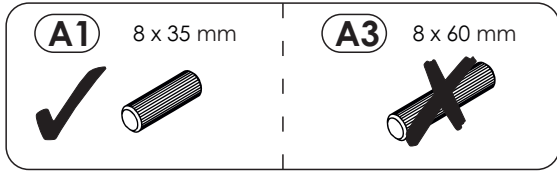
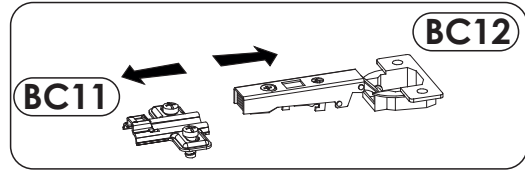
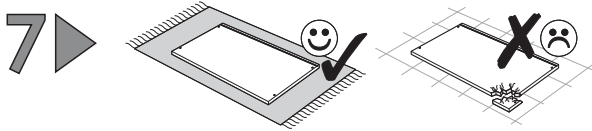


<p>A1 8 x 35 mm</p> 	<p>A3 8 x 60 mm</p> 
--	--

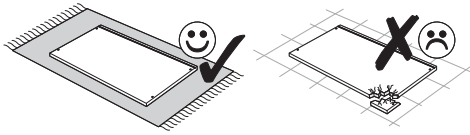


6 ▶

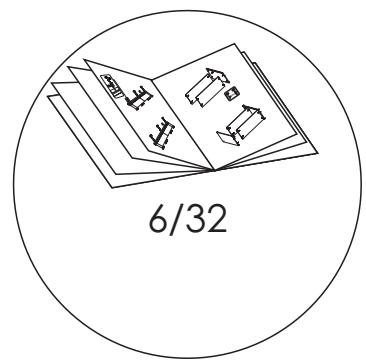
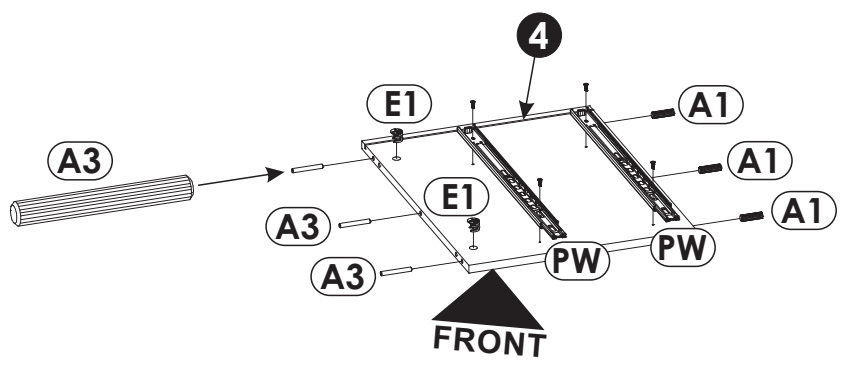




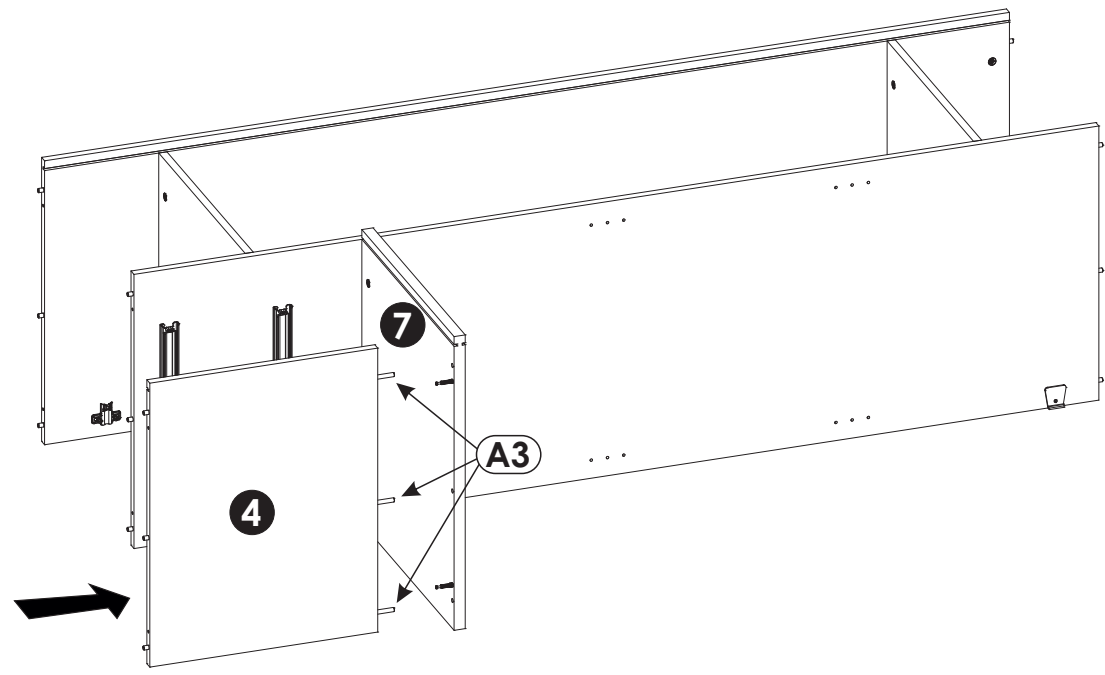
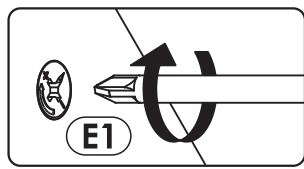
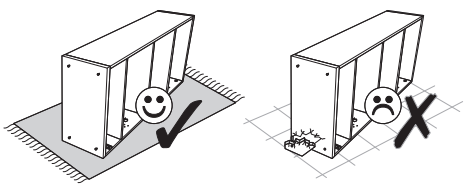
9 ▶



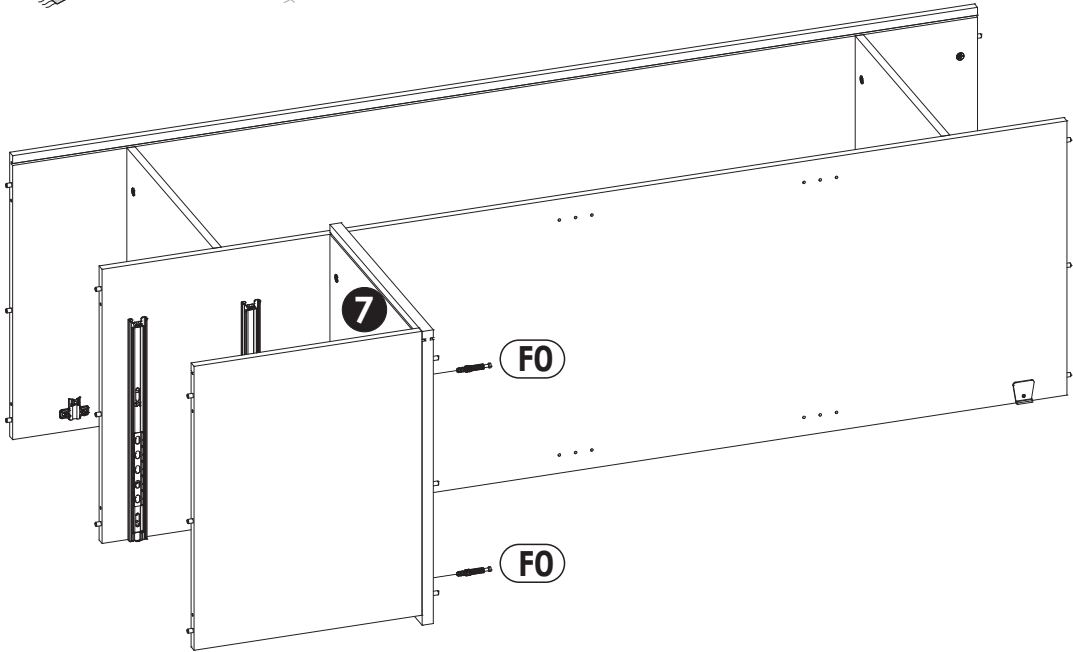
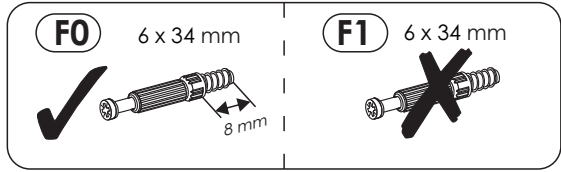
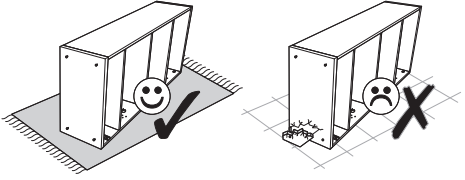
A1 8 x 35 mm	A3 8 x 60 mm



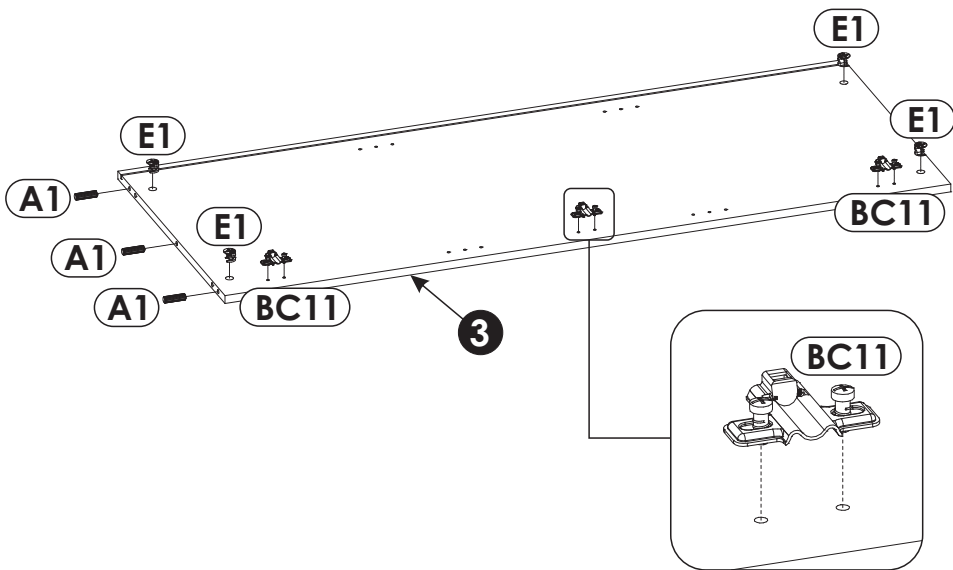
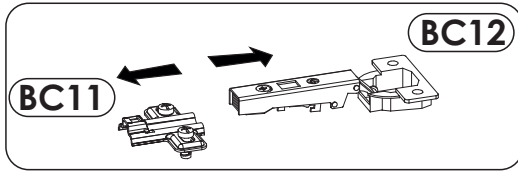
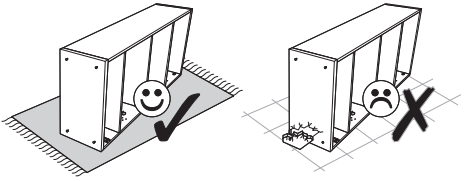
10 ▶



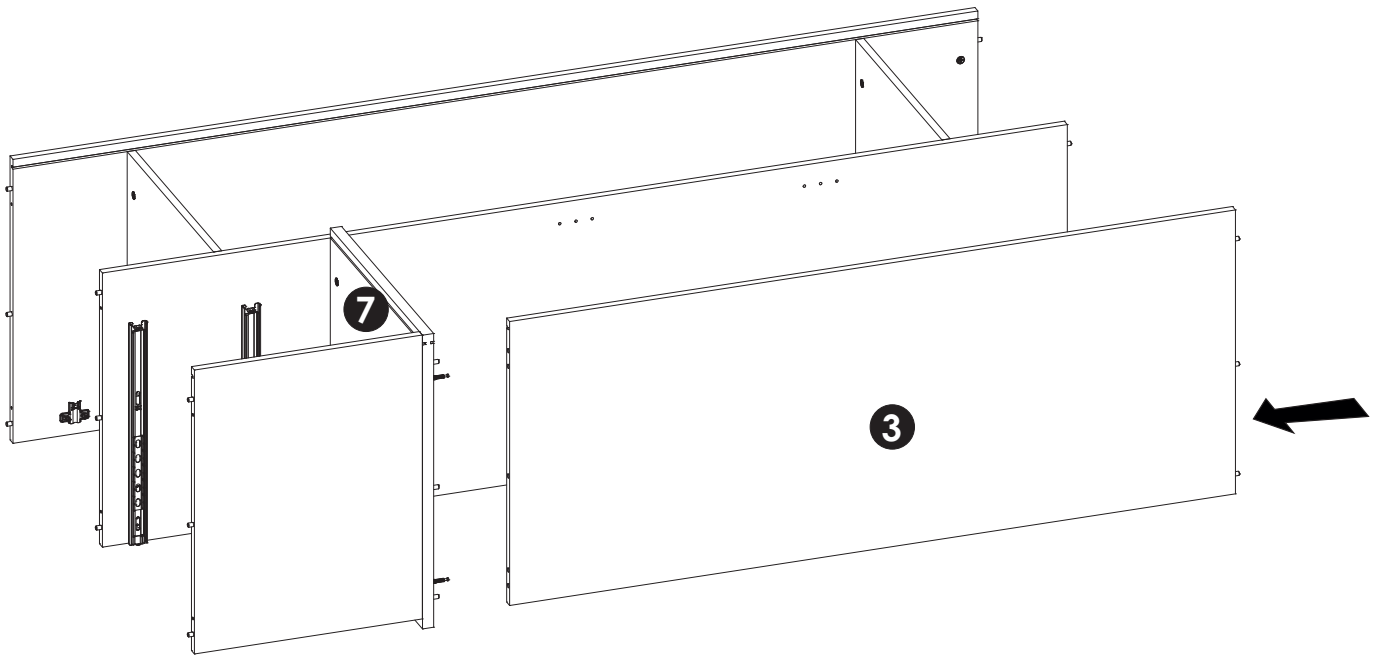
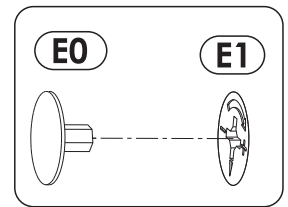
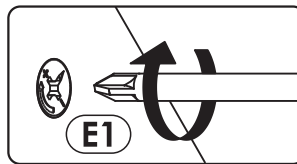
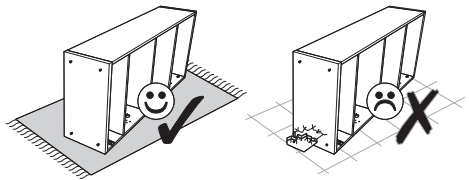
11 ▶



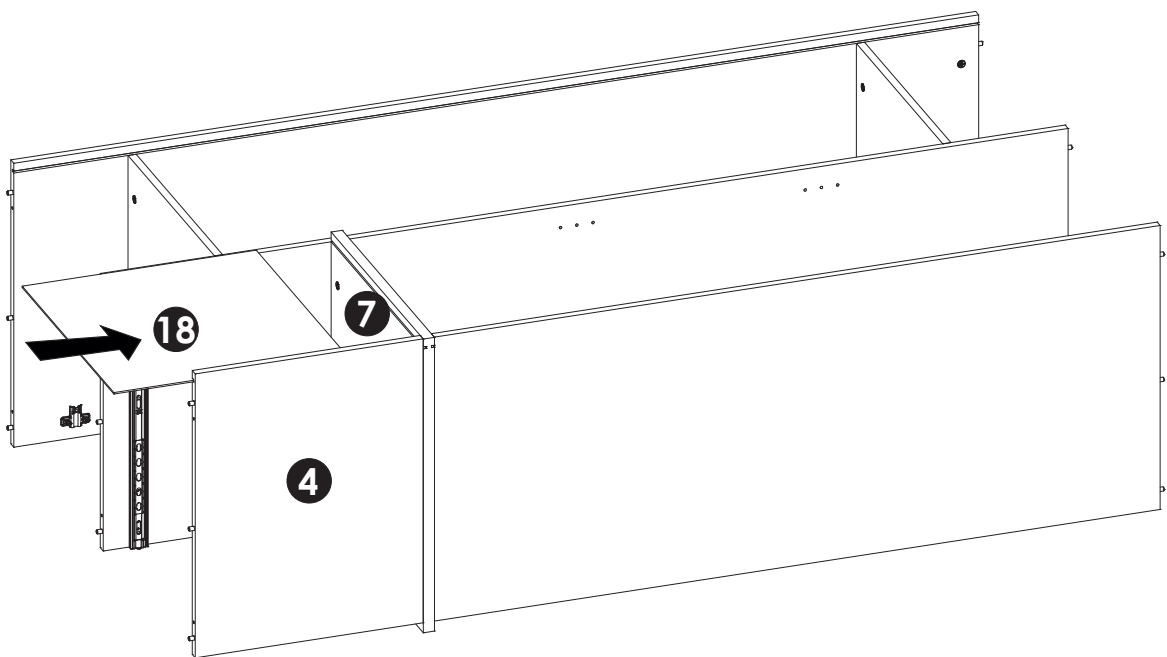
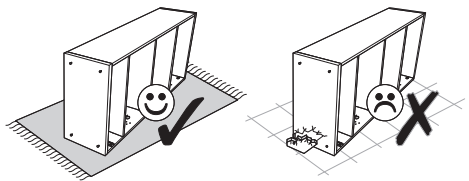
12 ▶

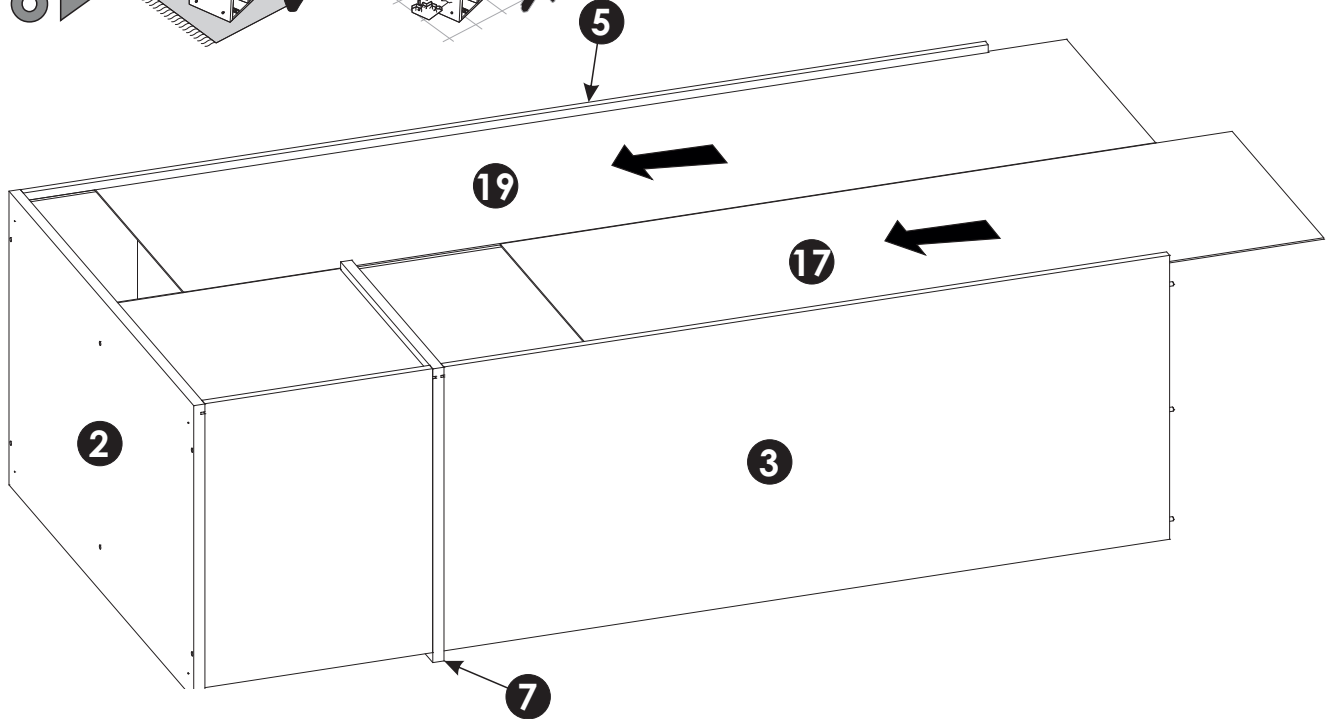
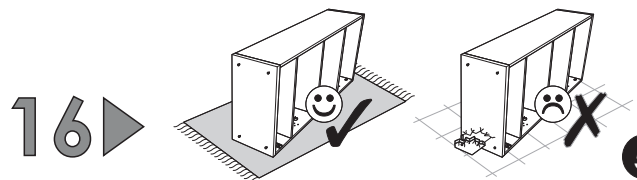
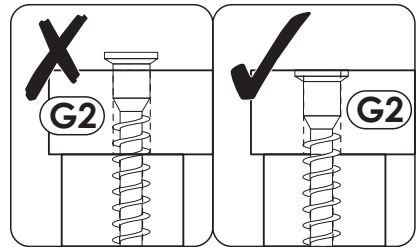
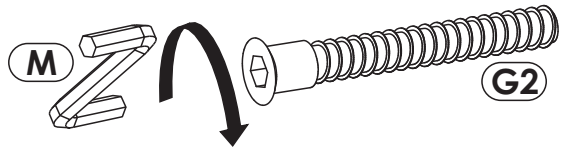
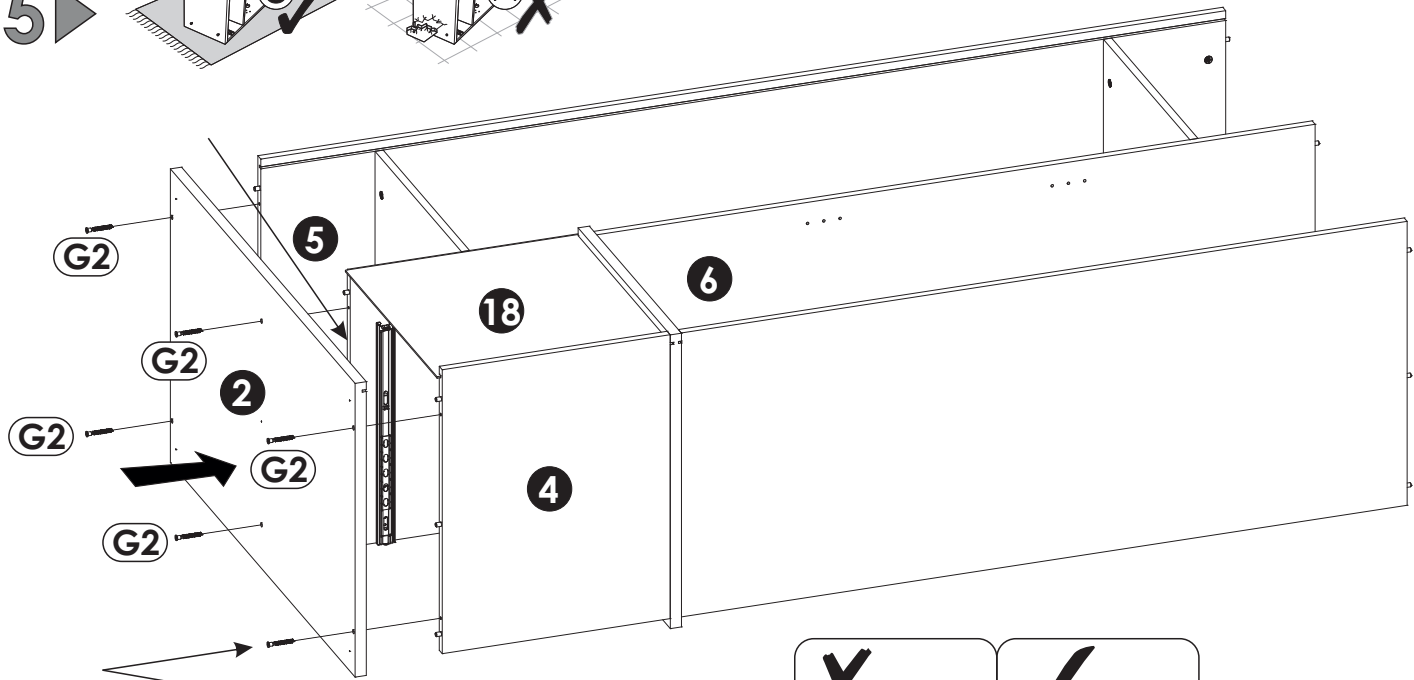
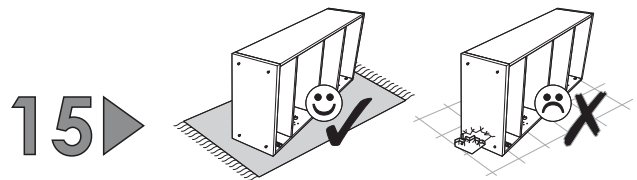


13 ▶

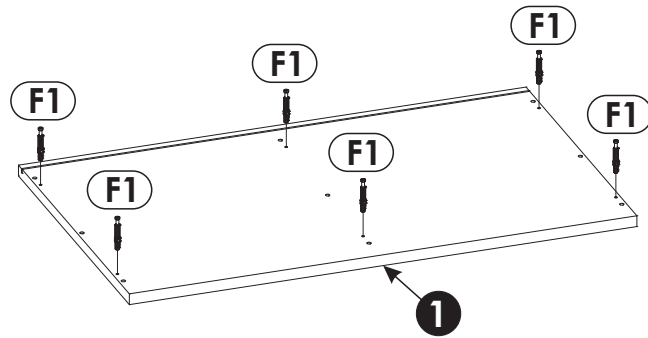
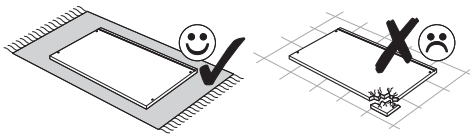


14 ▶

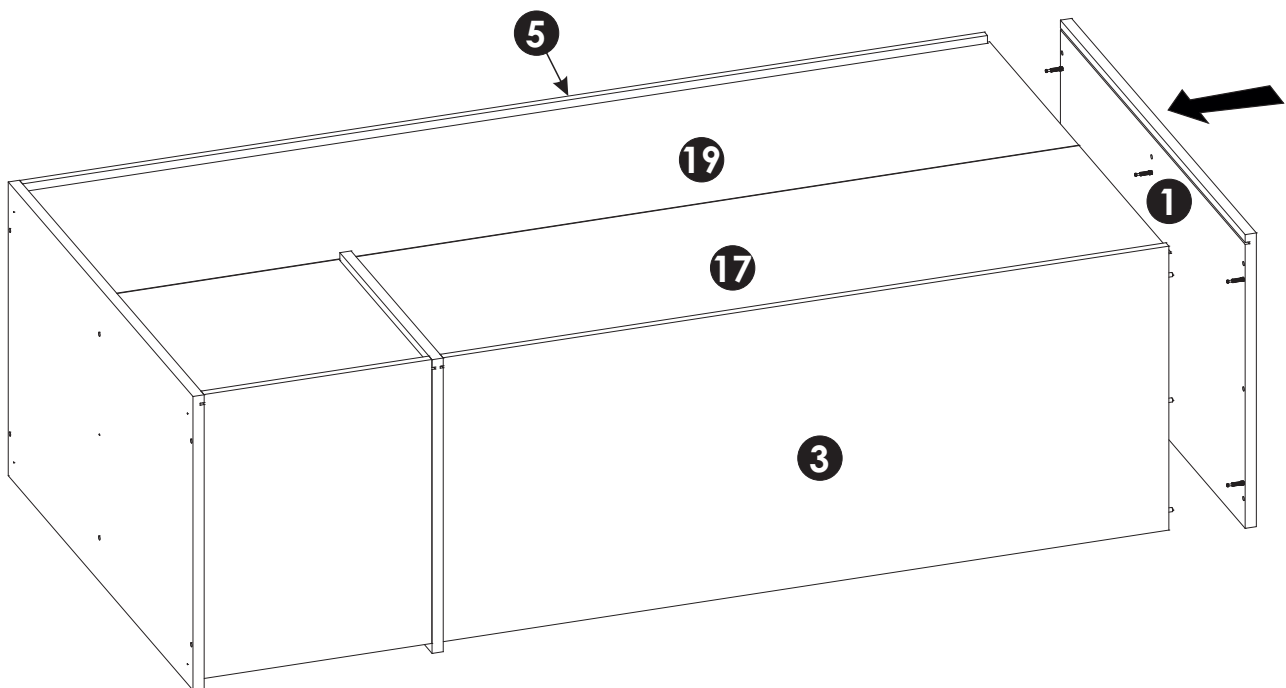
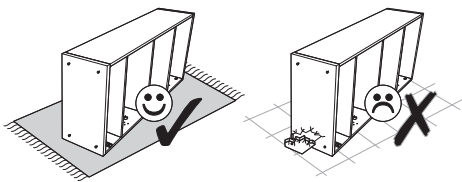




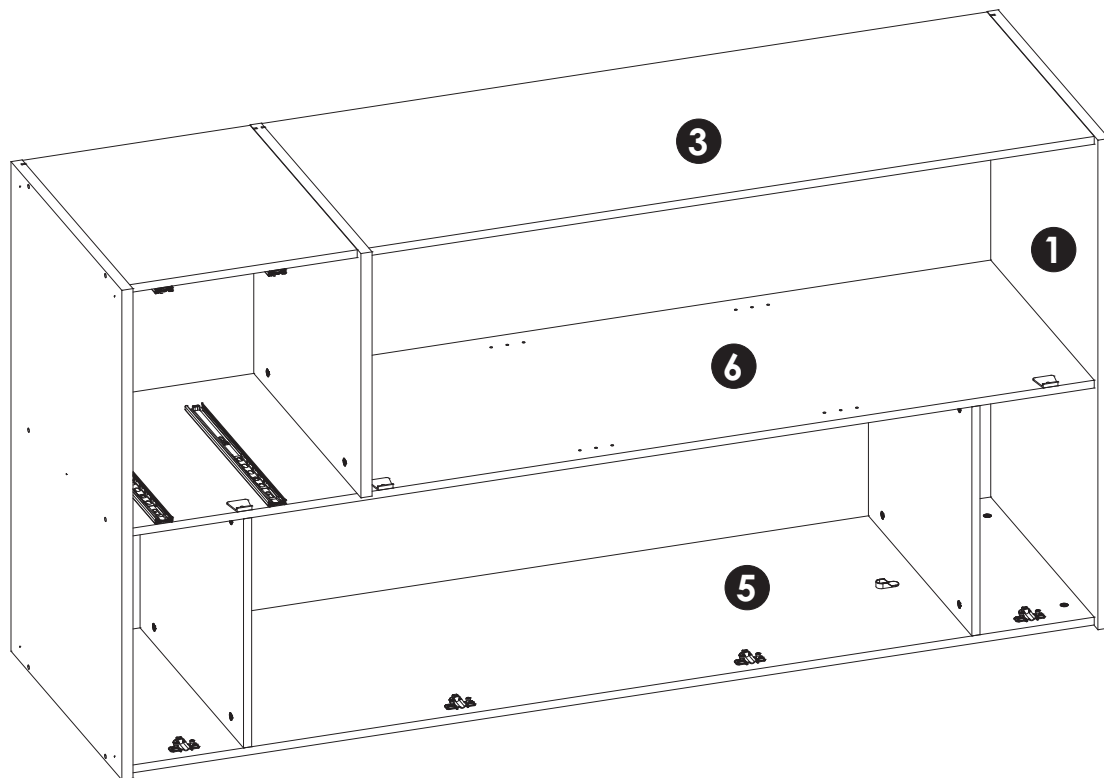
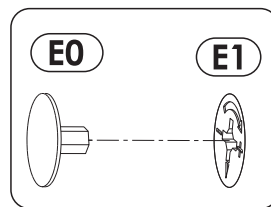
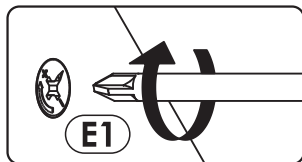
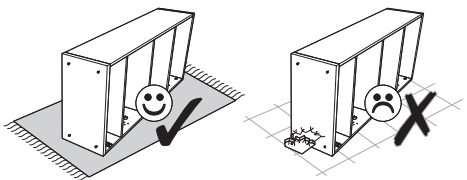
17▶



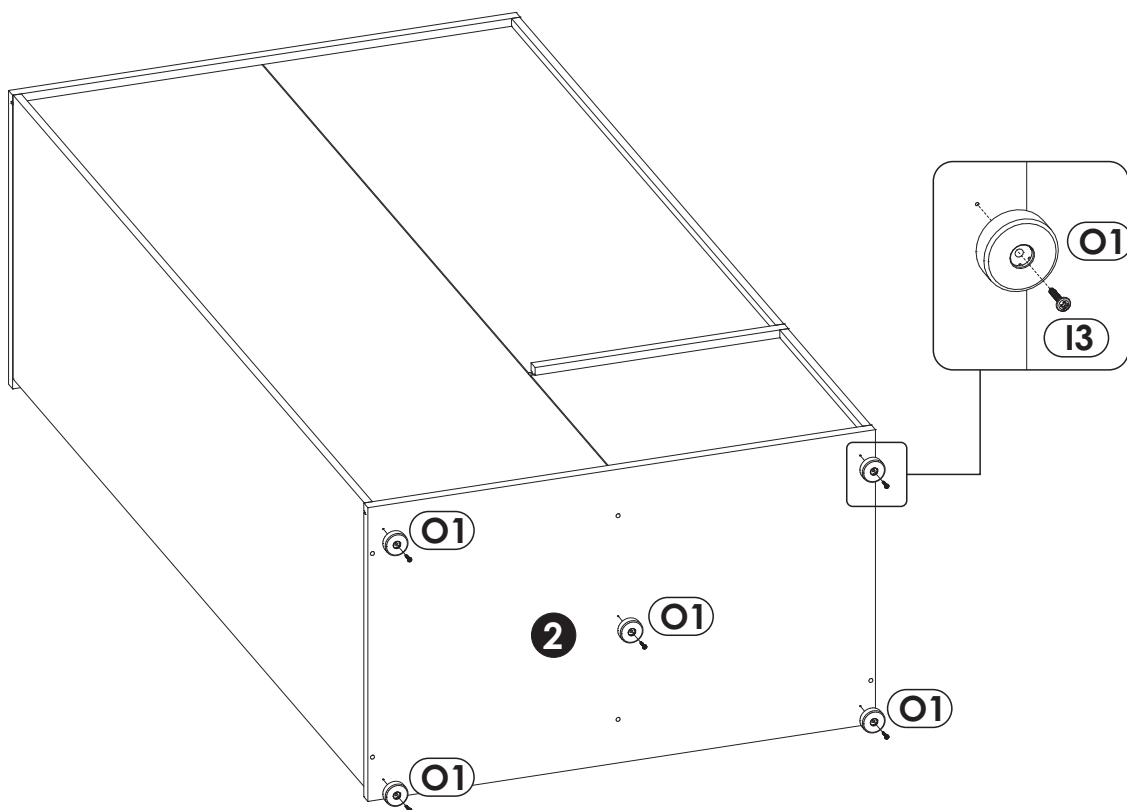
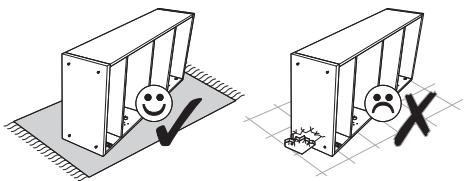
18▶



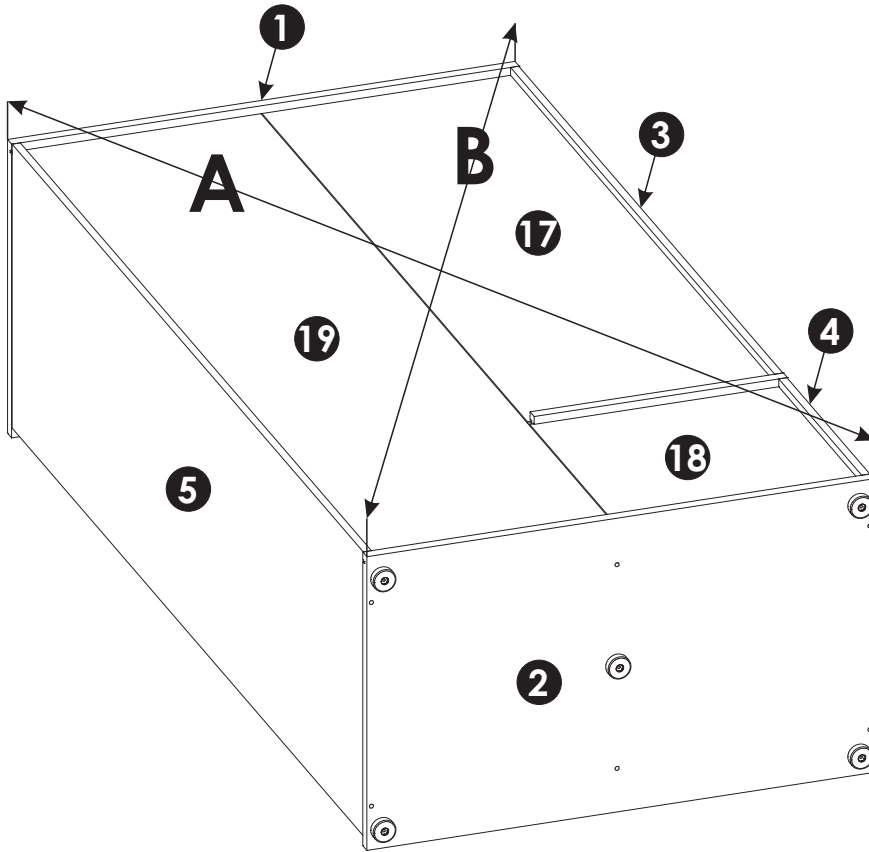
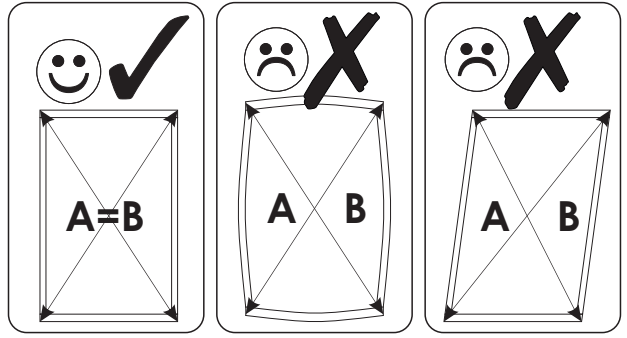
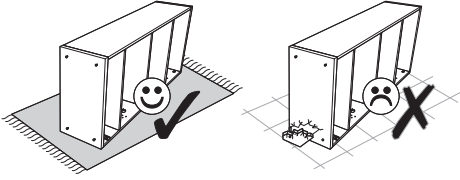
19 ▶



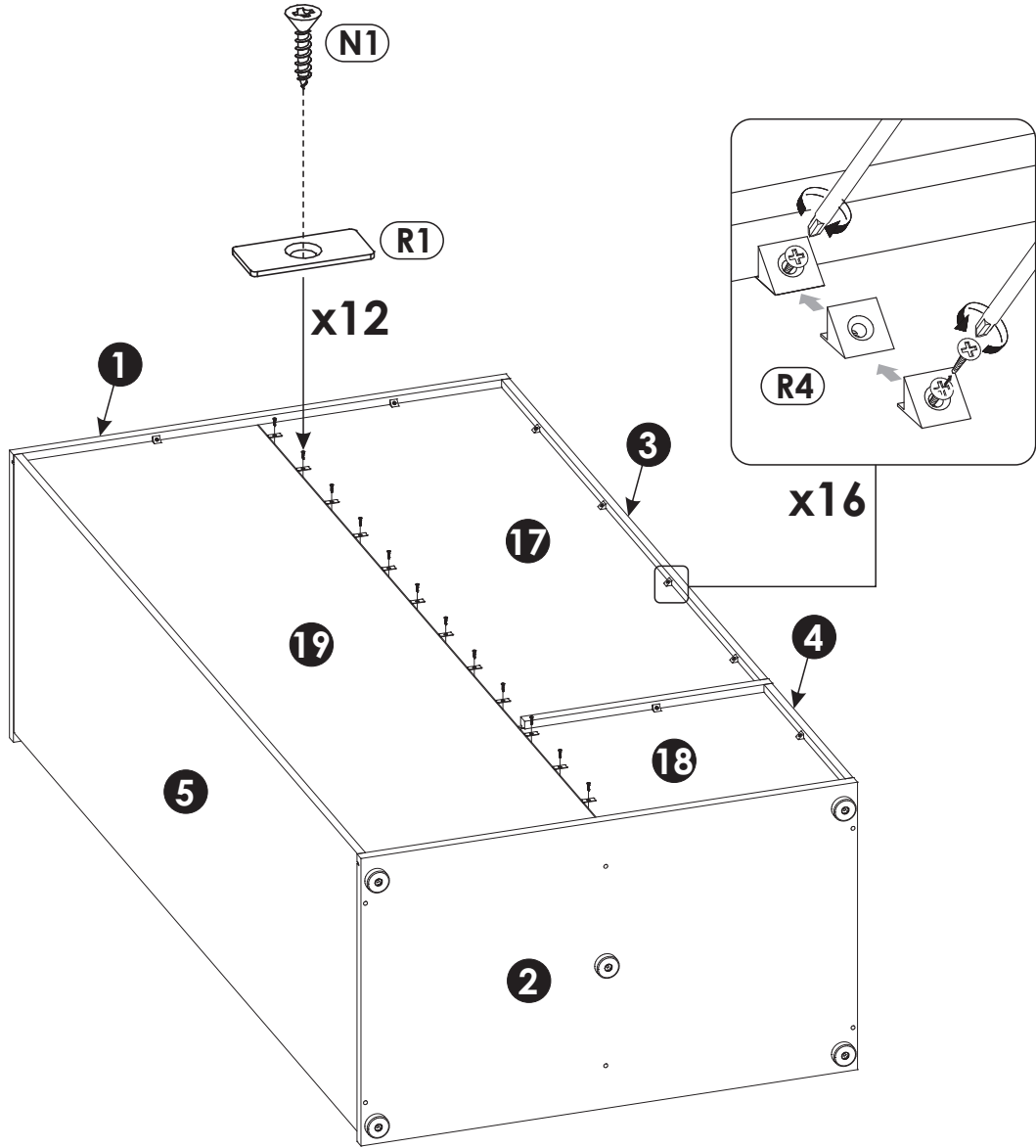
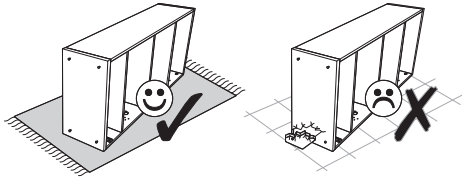
20 ▶

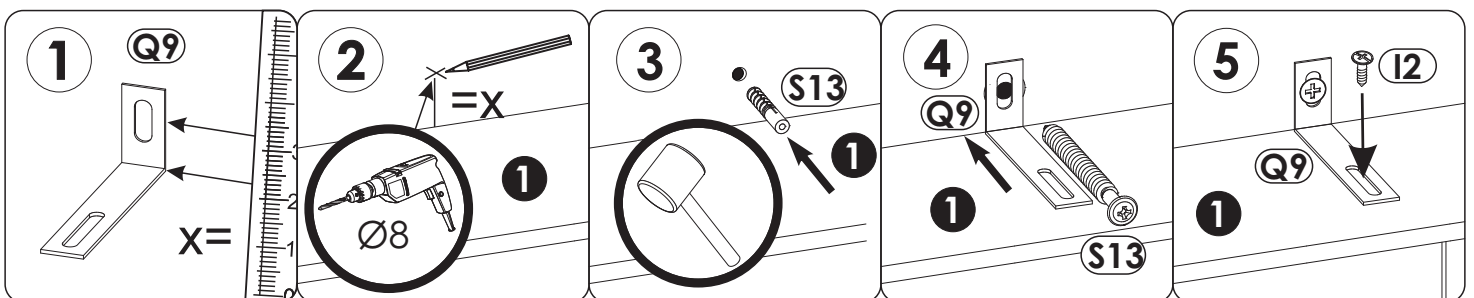
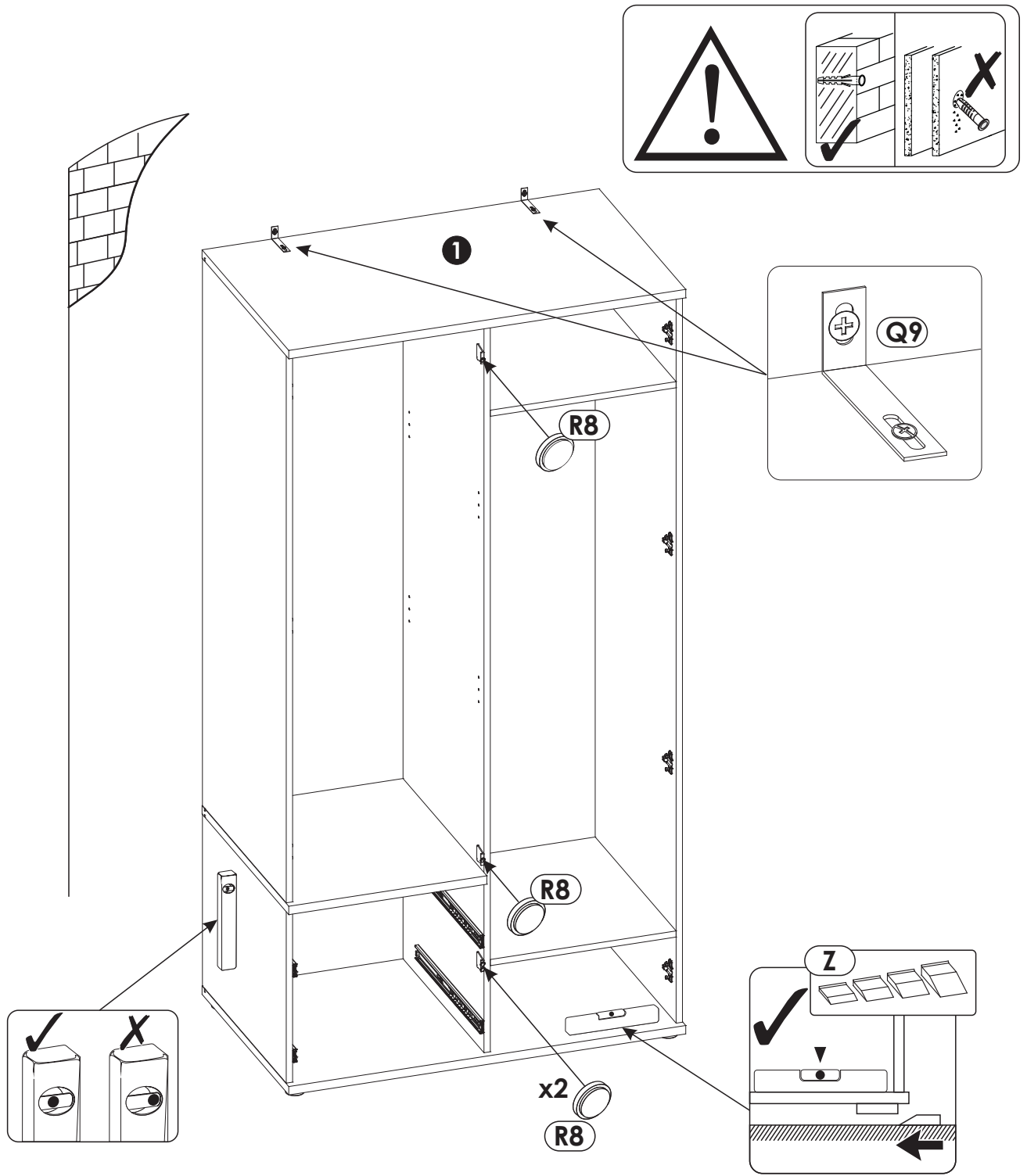


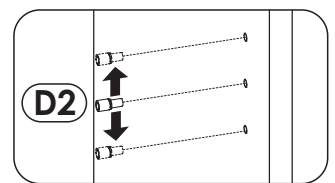
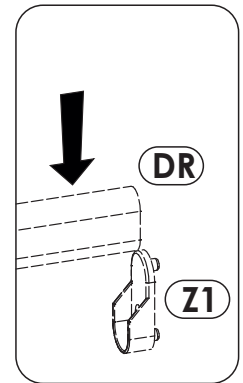
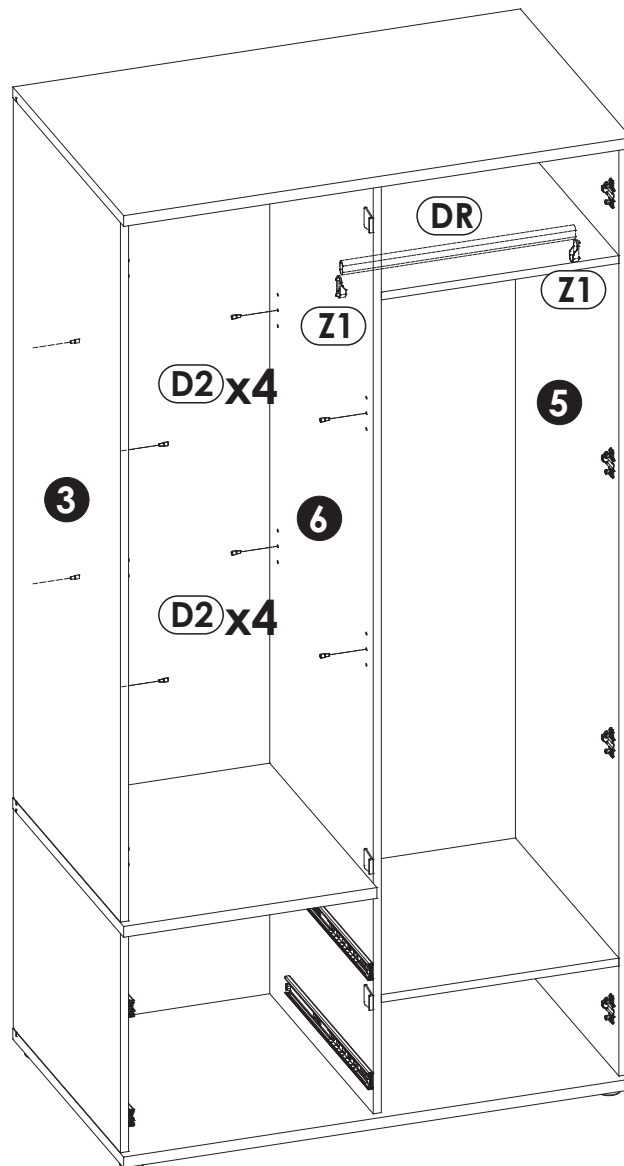
21 ▶

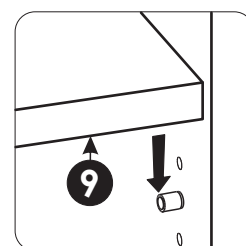
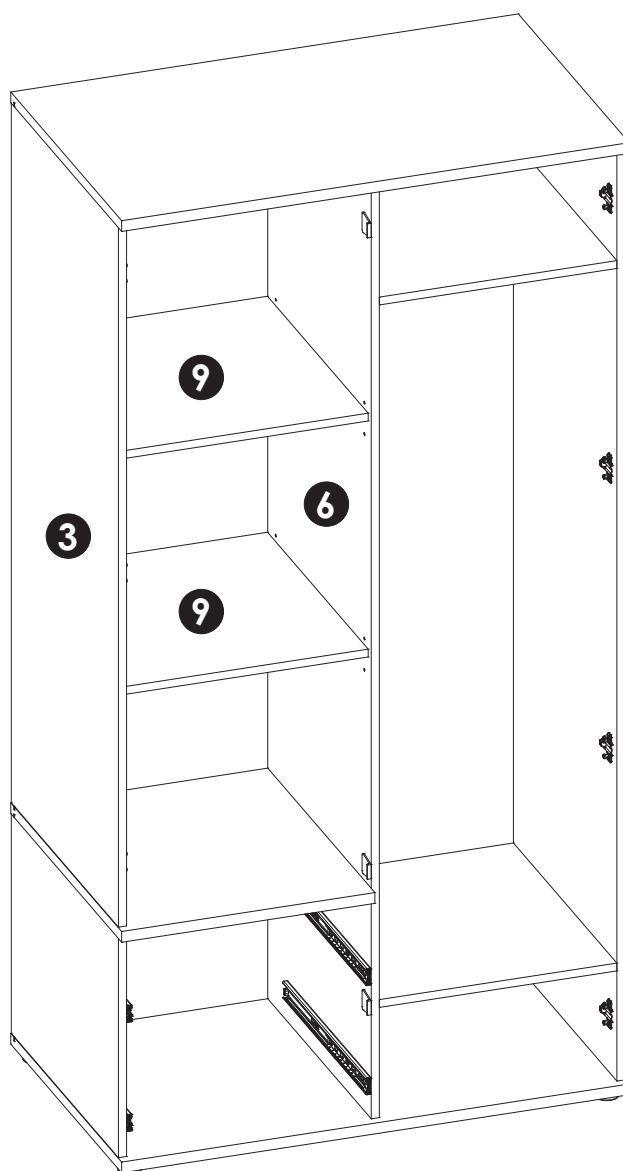


22 ▶

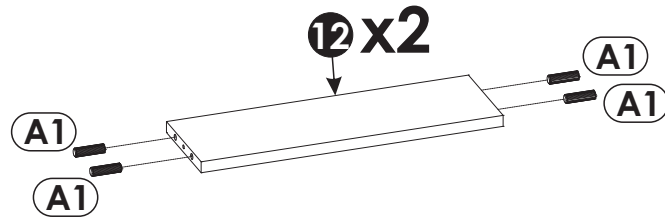
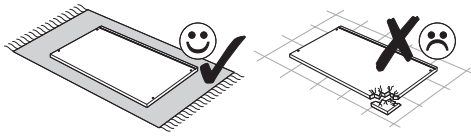




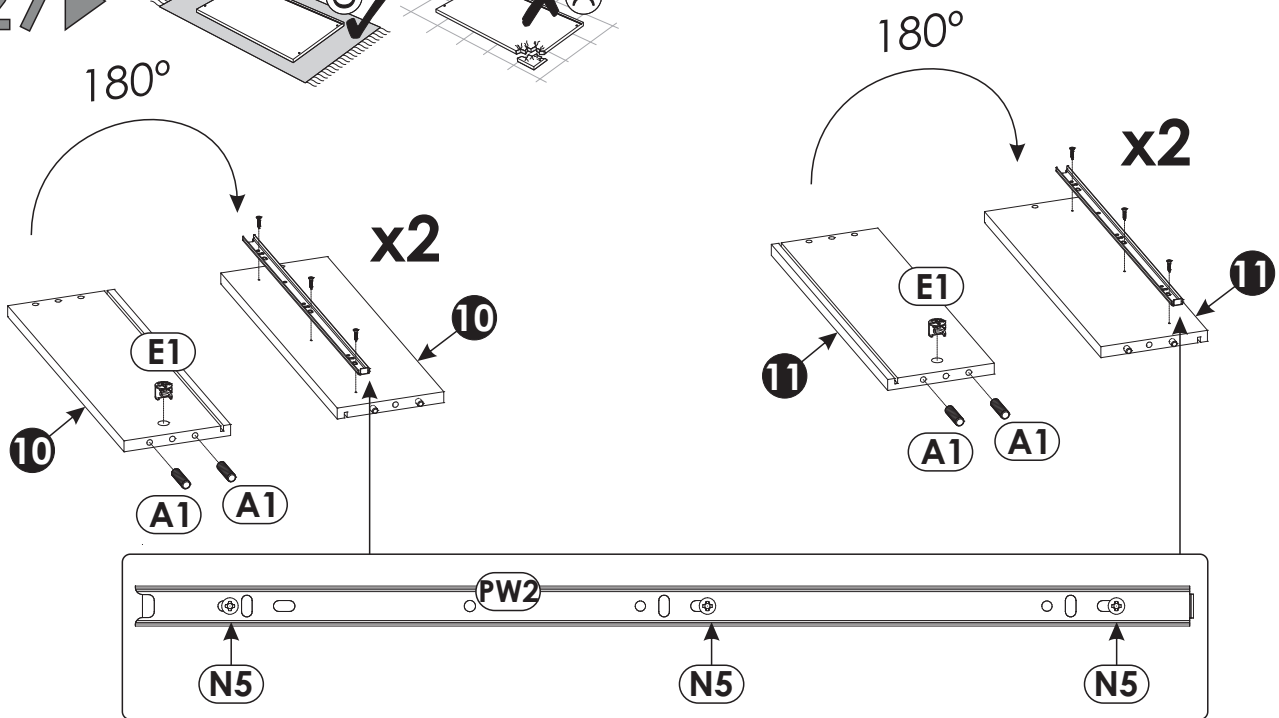
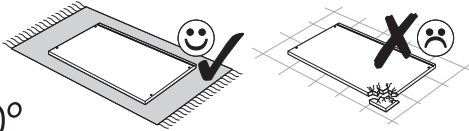




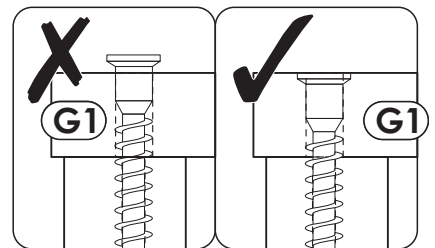
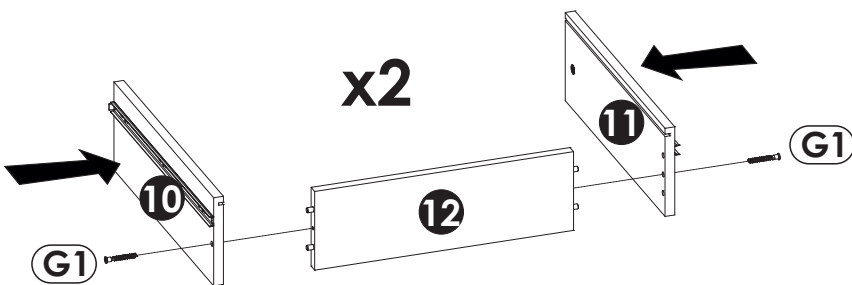
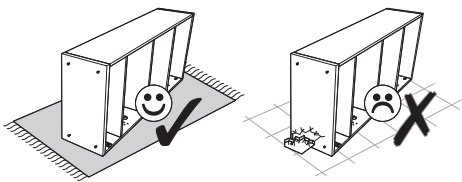
26▶



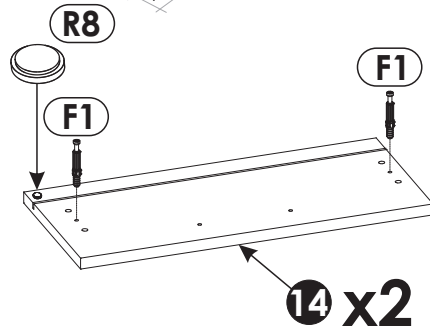
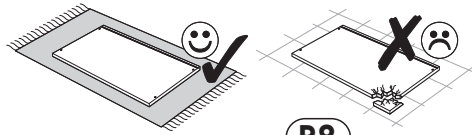
27▶



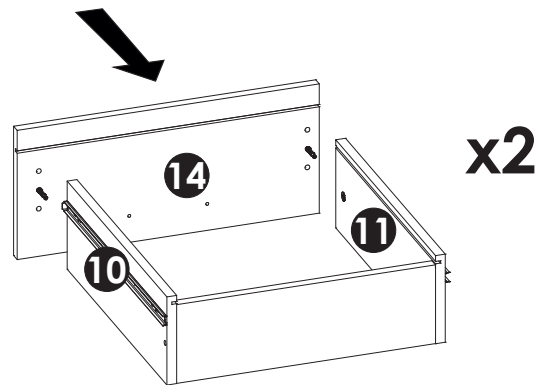
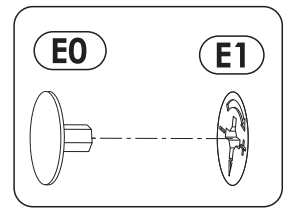
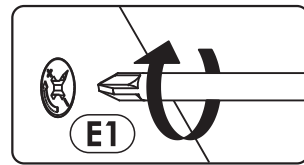
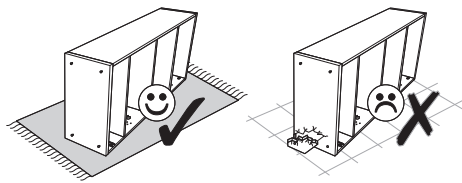
28▶



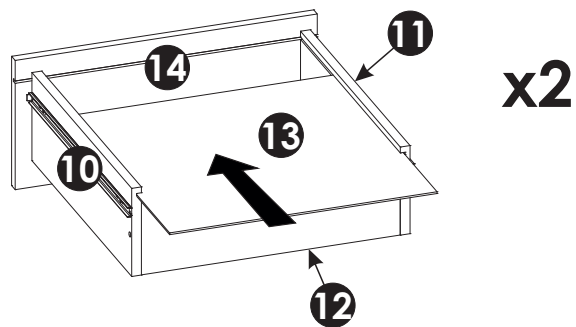
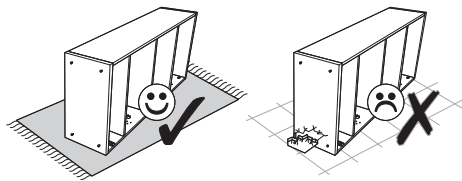
29 ▶



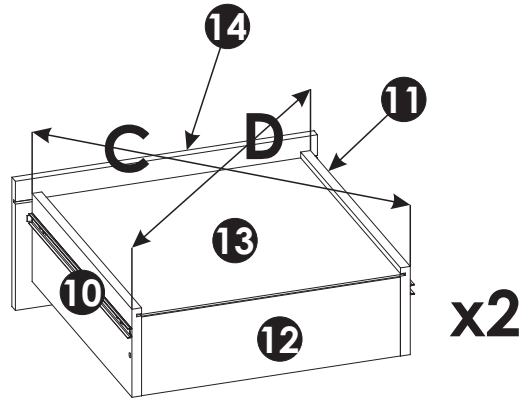
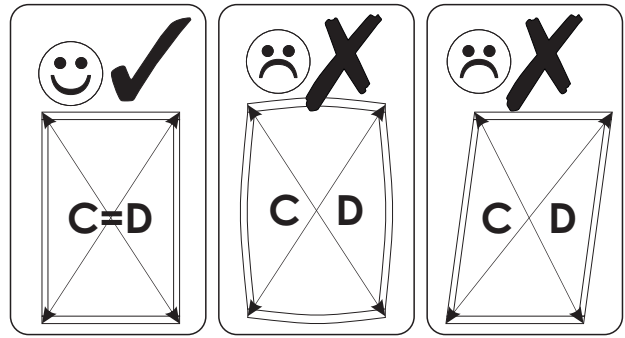
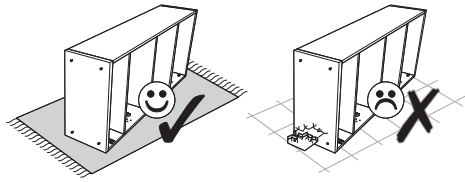
30 ▶



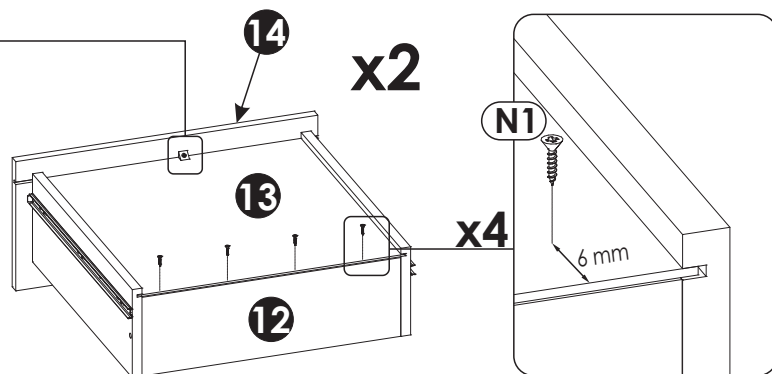
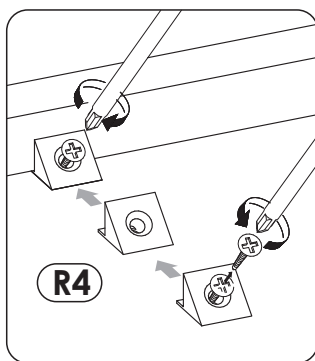
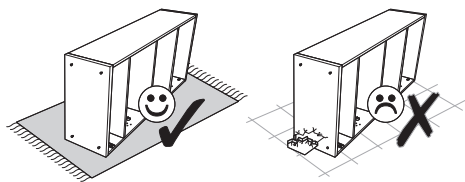
31 ▶

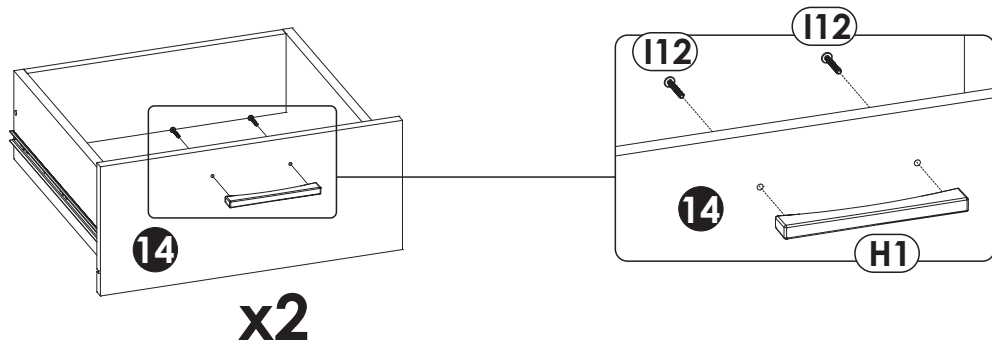
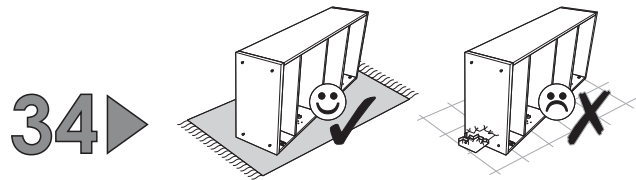


32 ▶

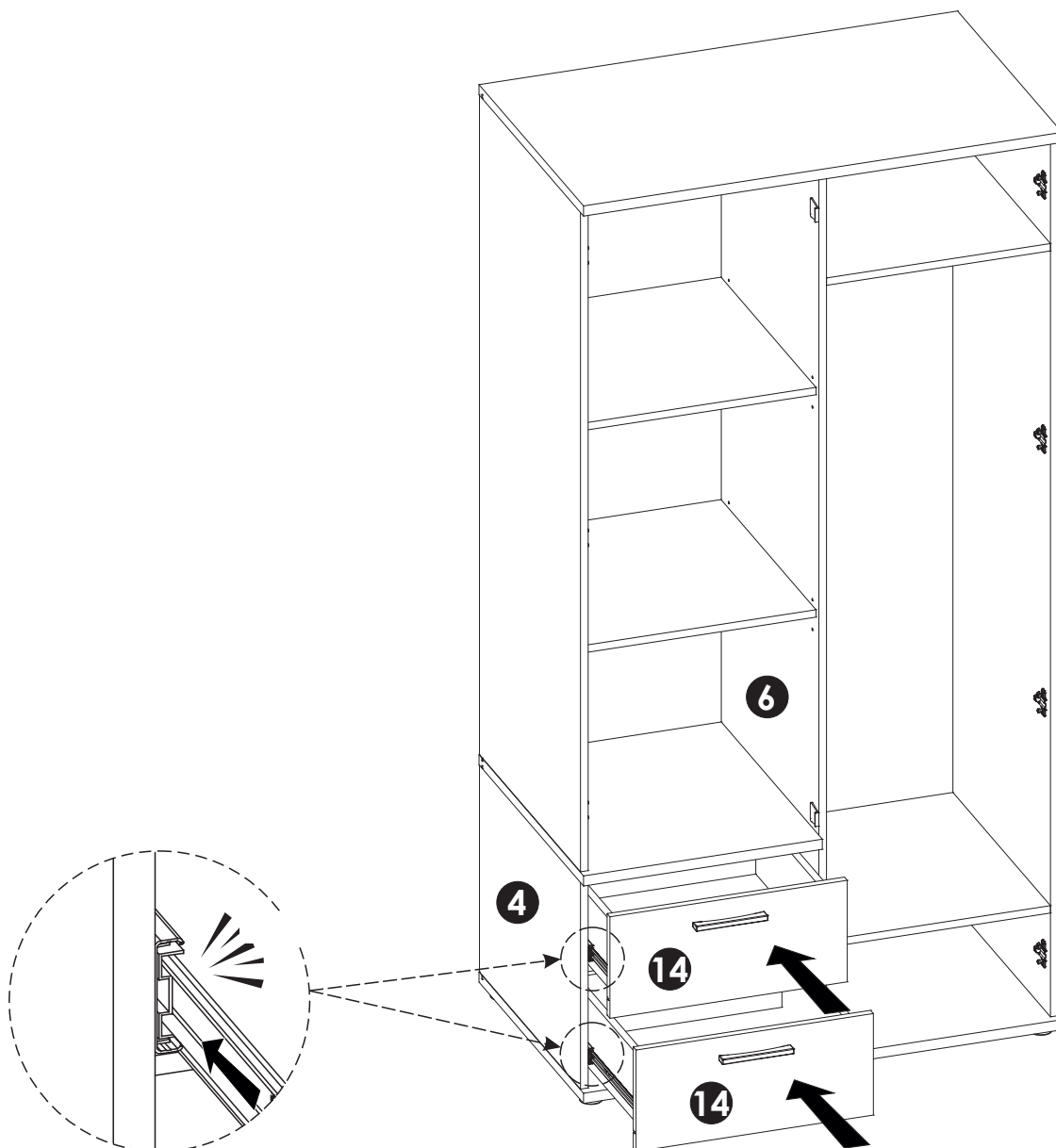


33 ▶

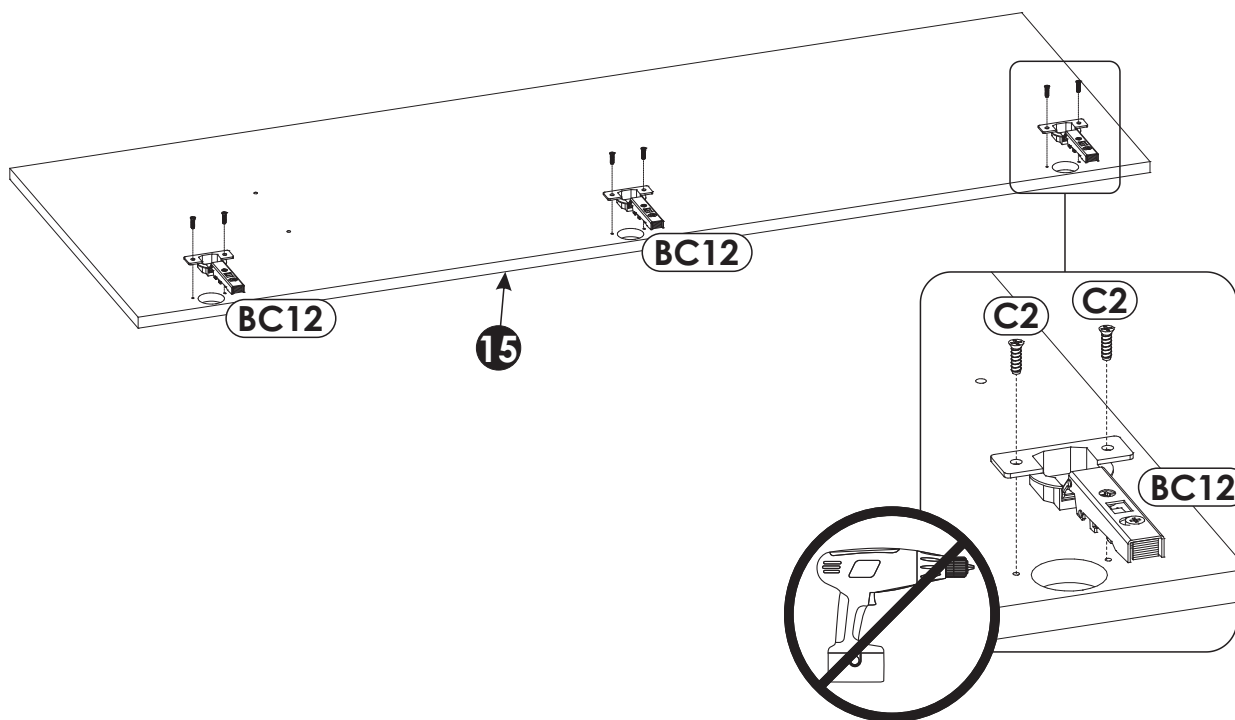
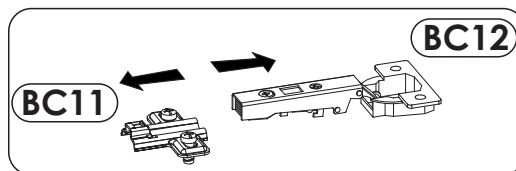
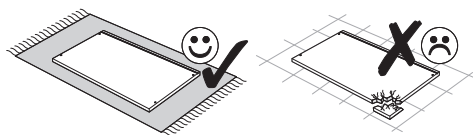




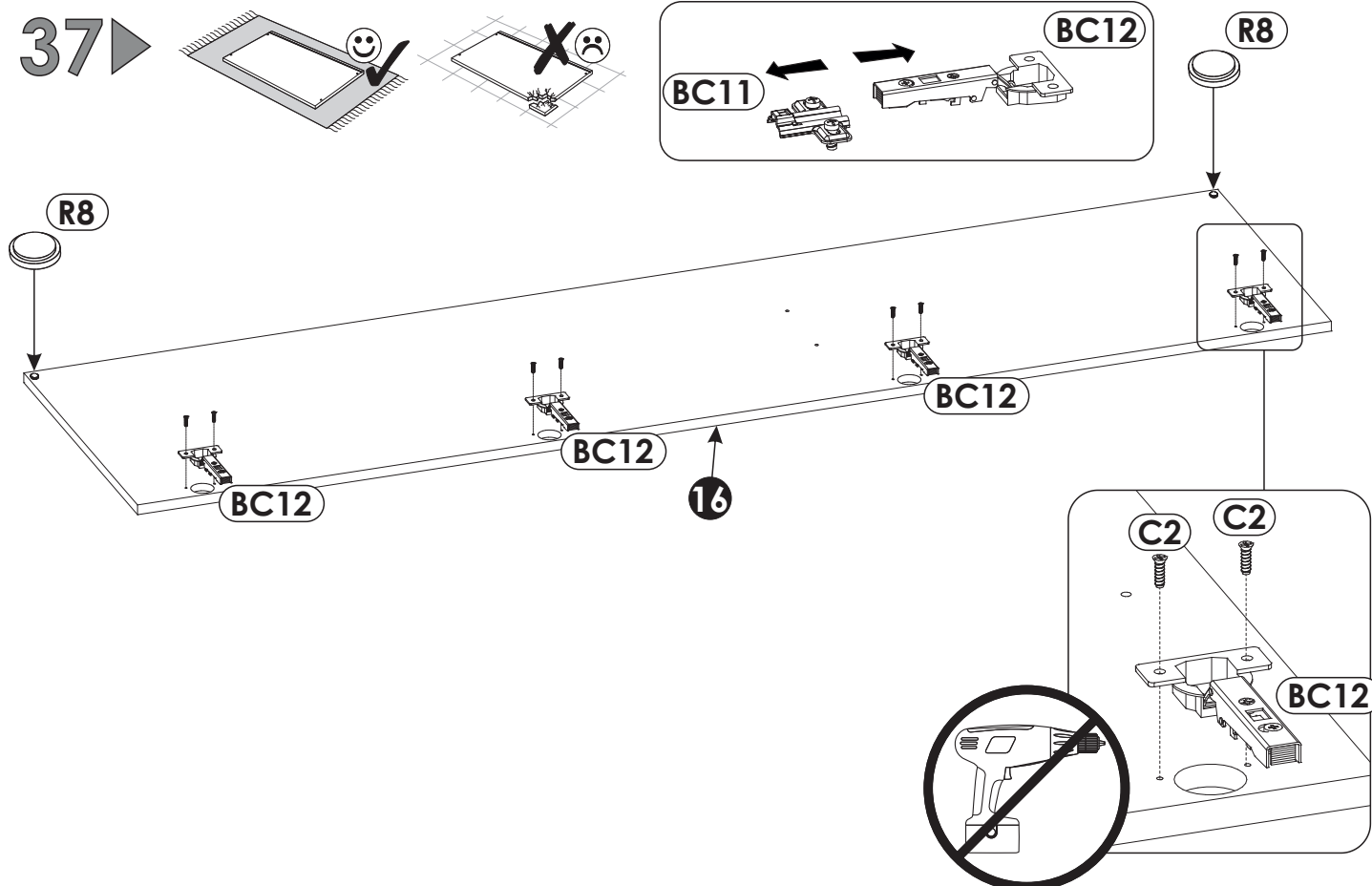
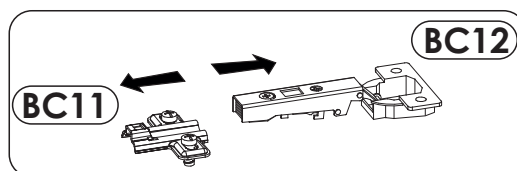
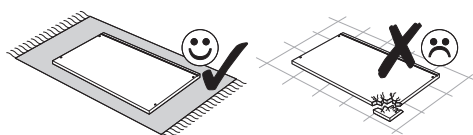
35 ▶

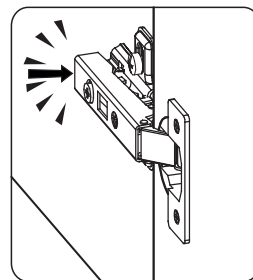
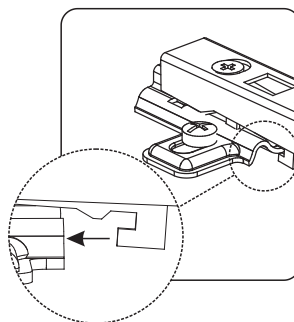
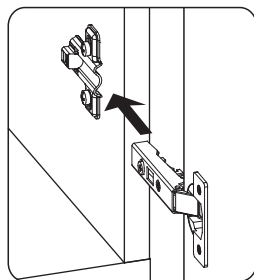
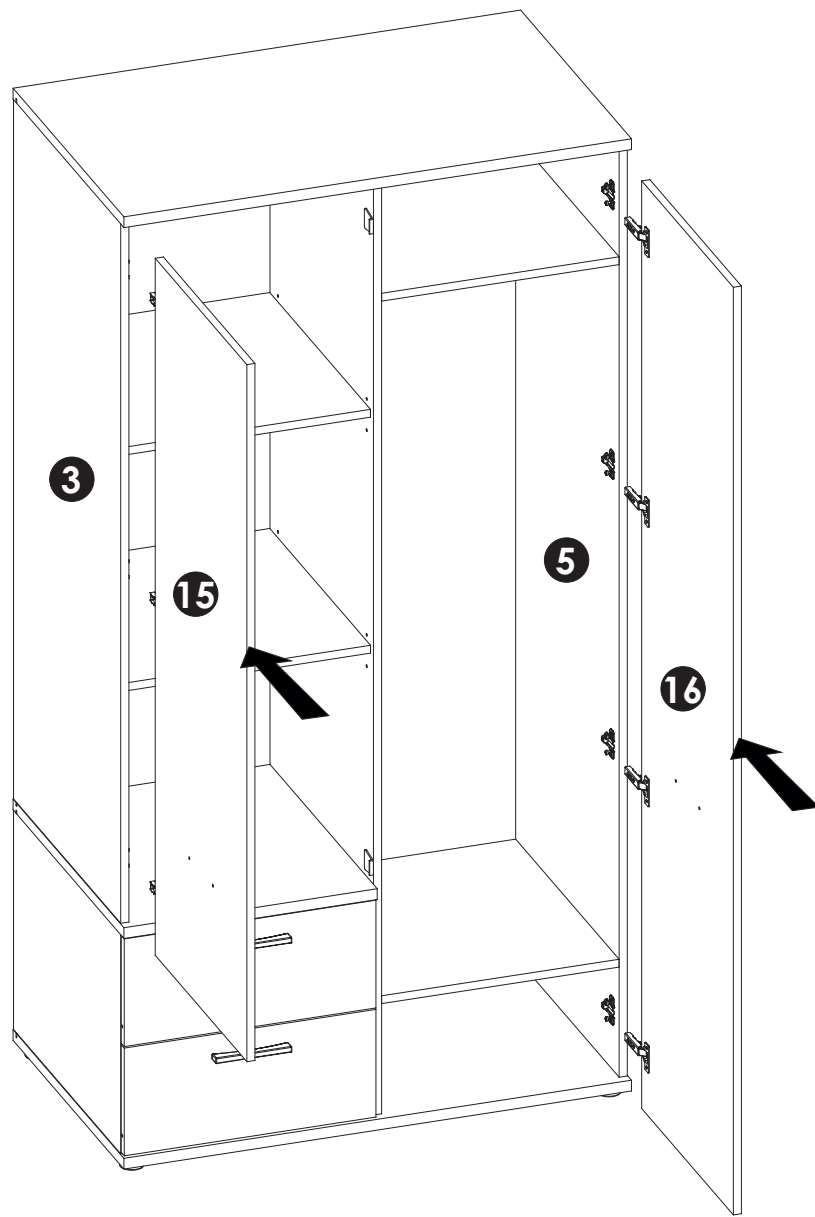


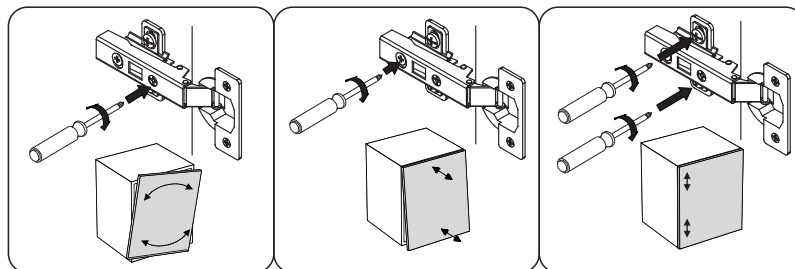
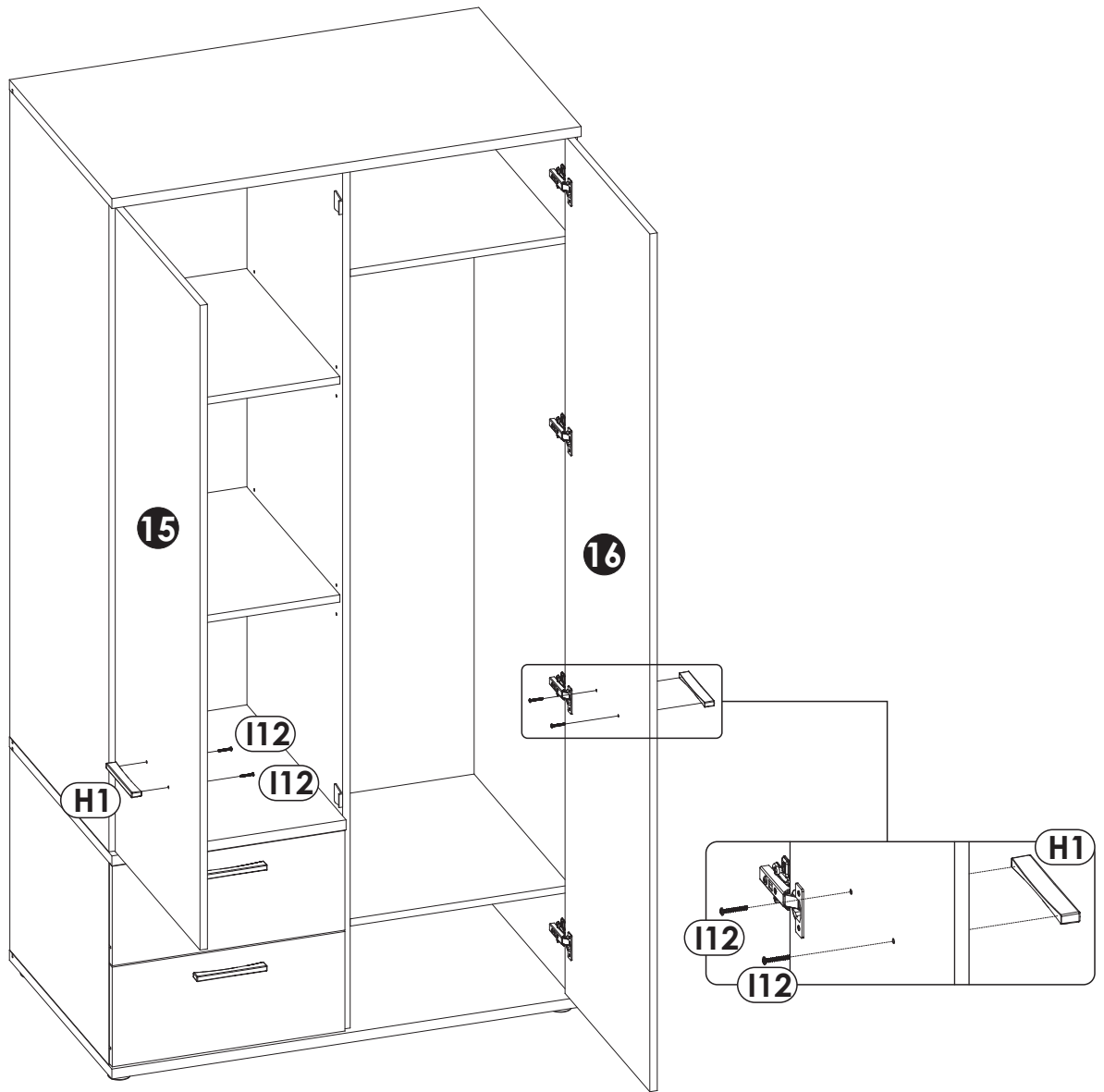
36 ▶



37 ▶







40▶

