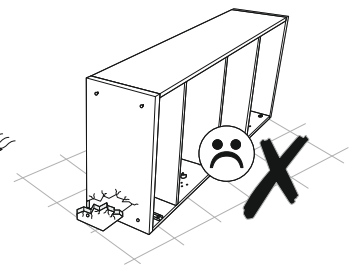
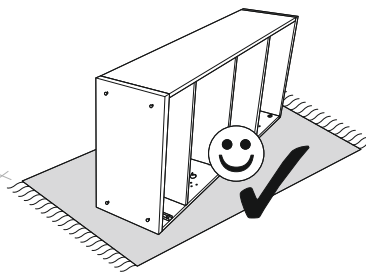
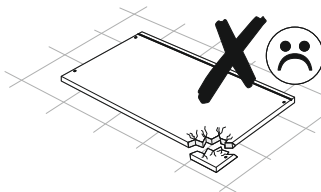
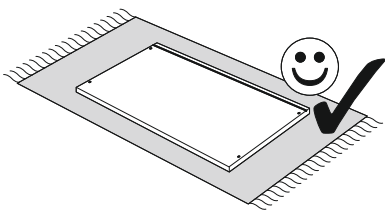
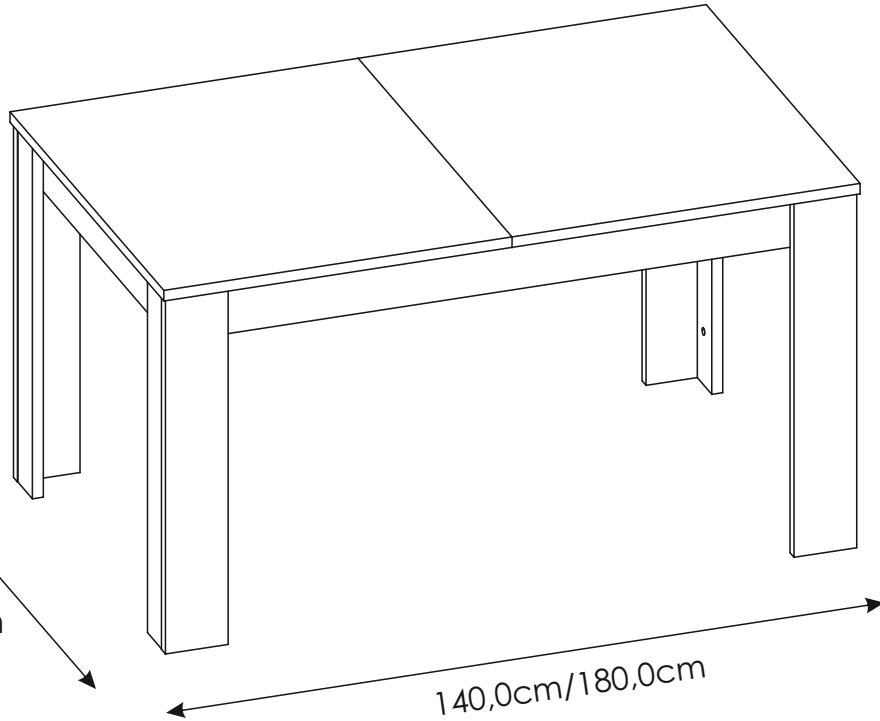
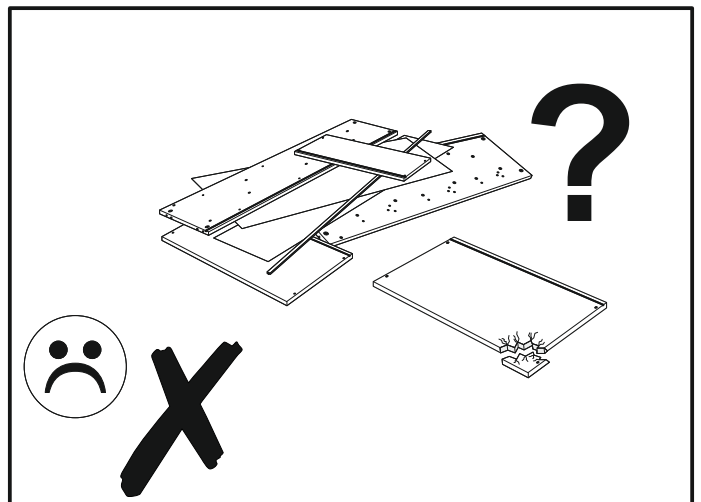
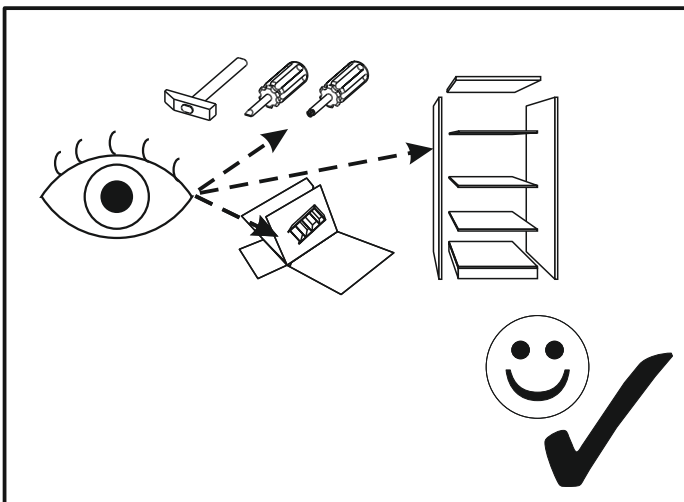
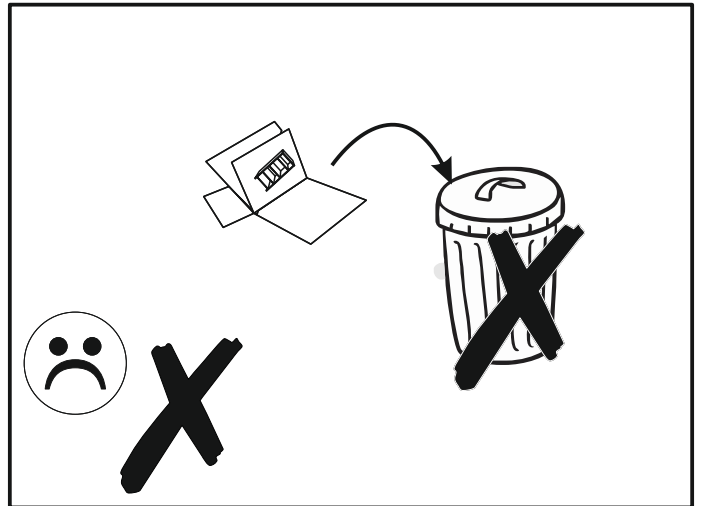
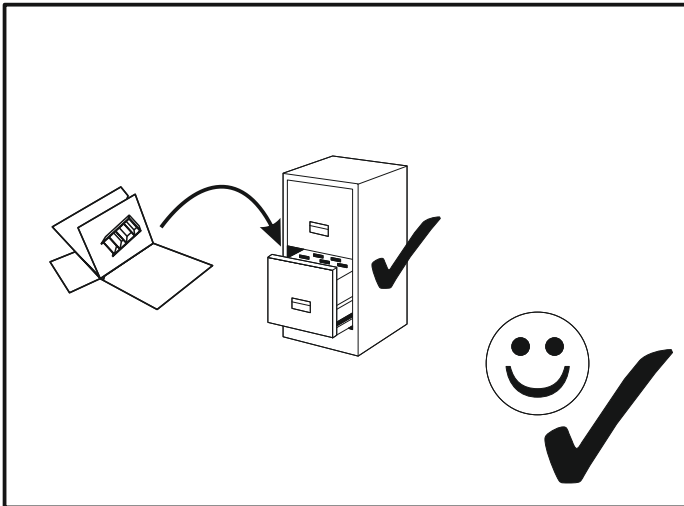
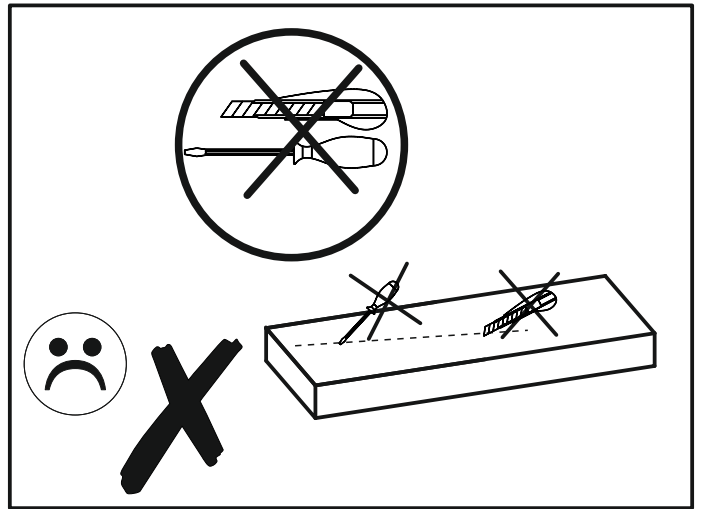
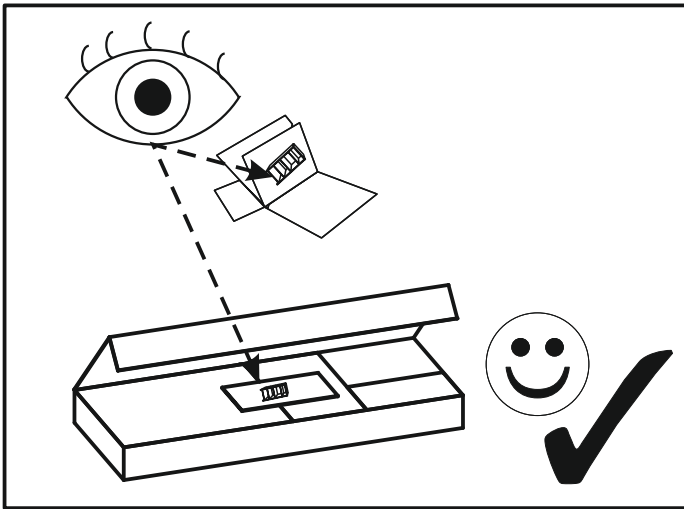


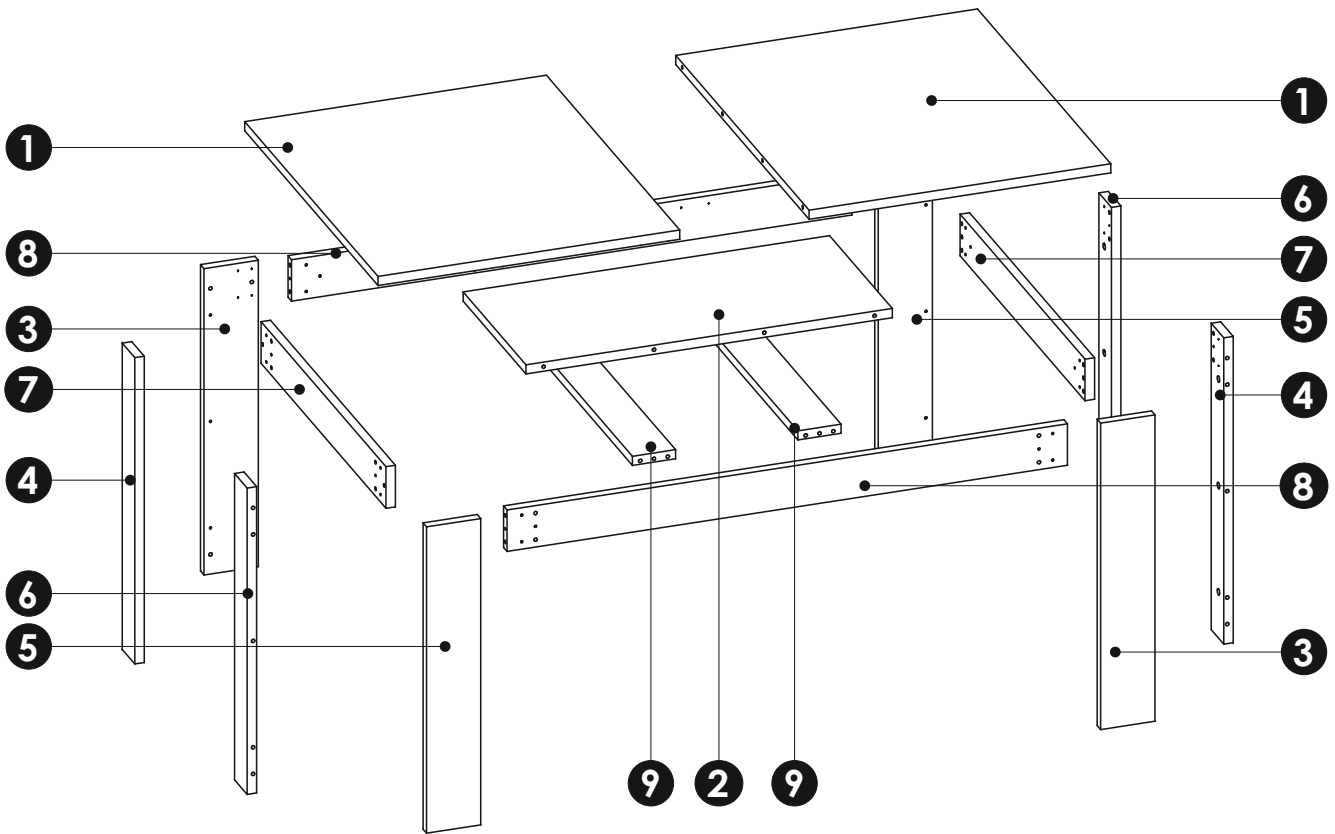
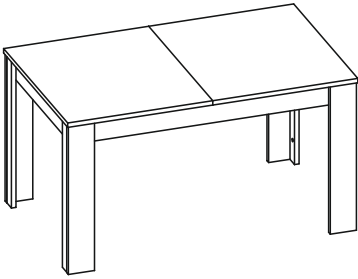
76,6cm

85cm

140,0cm/180,0cm







1	850	700	22 x2	2/2
2	850	400	22 x1	2/2
3	737	126	22 x2	1/2

4	737	80	22 x2	1/2
5	737	126	22 x2	1/2
6	737	80	22 x2	1/2

7	796	100	22 x2	1/2
8	1300	100	22 x2	1/2
9	752	100	22 x2	2/2

MM

260

250

240

230

220

210

200

190

180

170

160

150

140

130

120

110

100

90

80

70

60

50

40

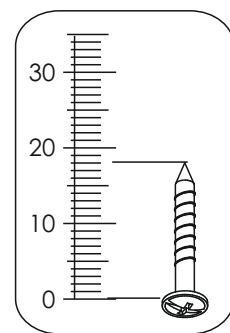
30

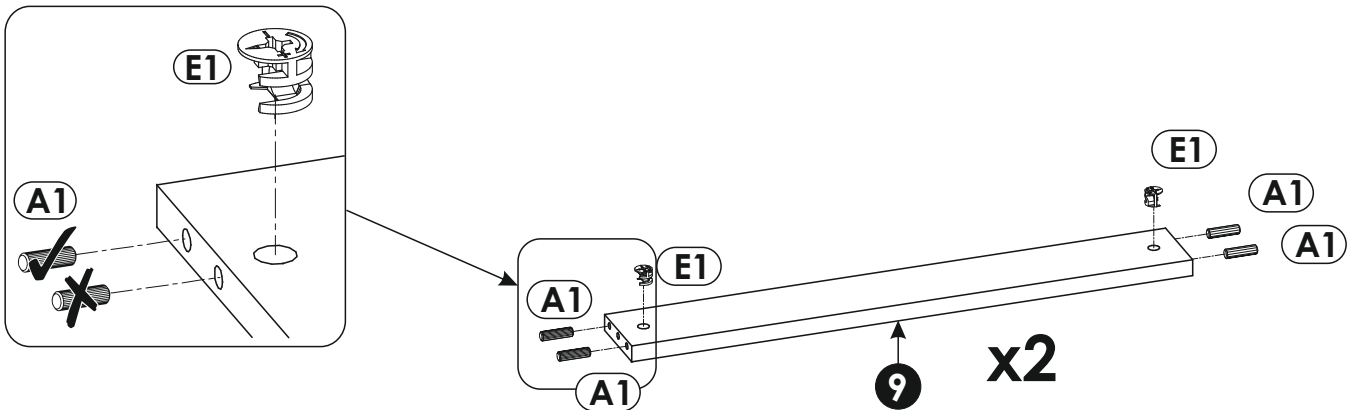
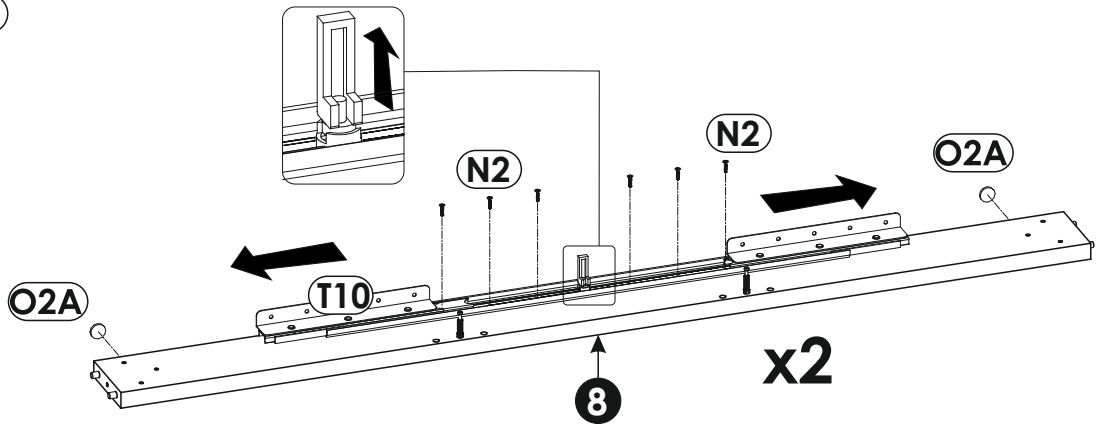
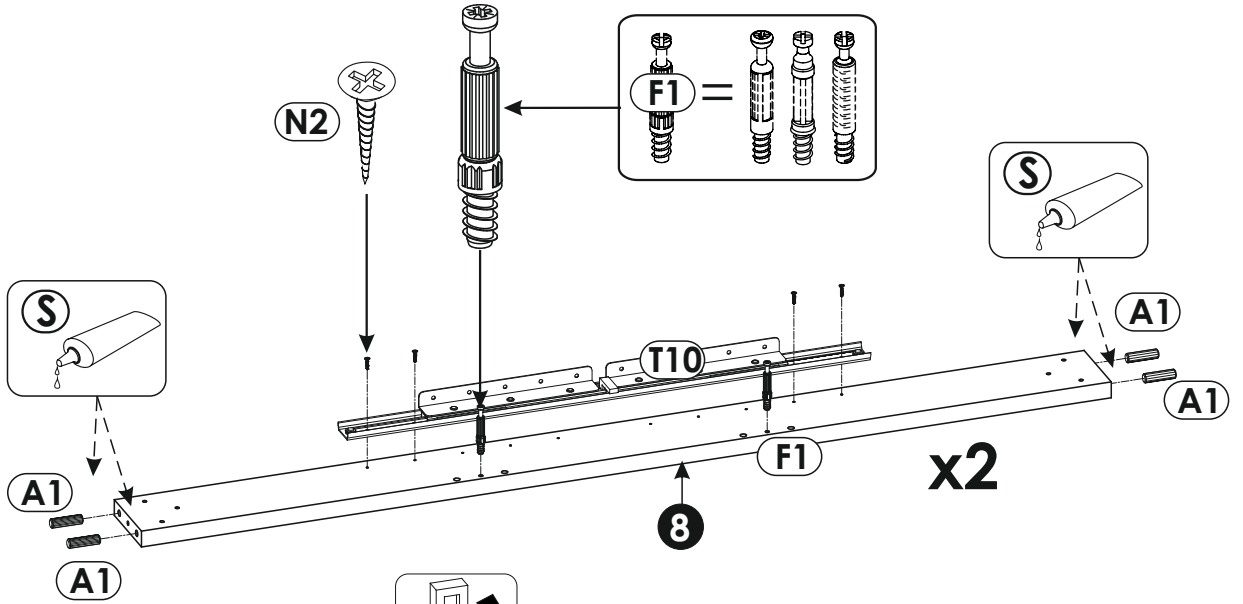
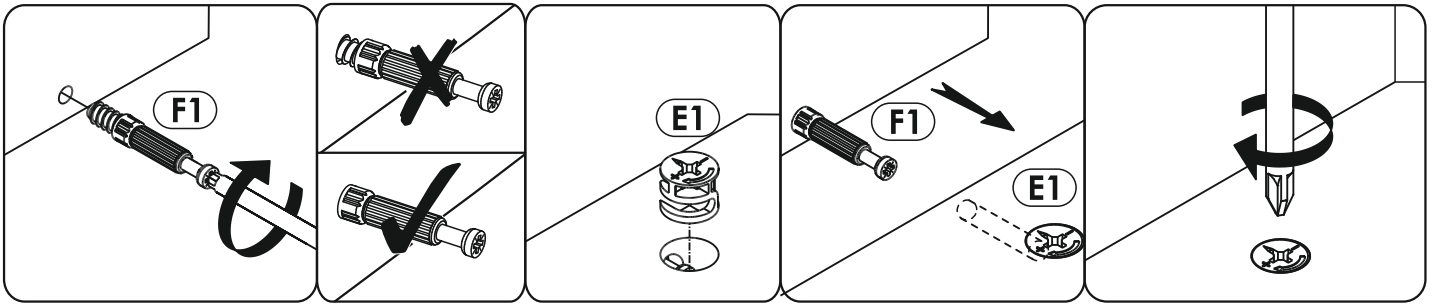
20

10

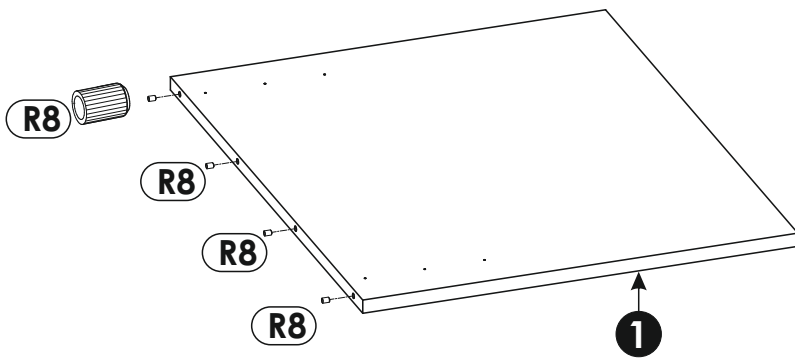
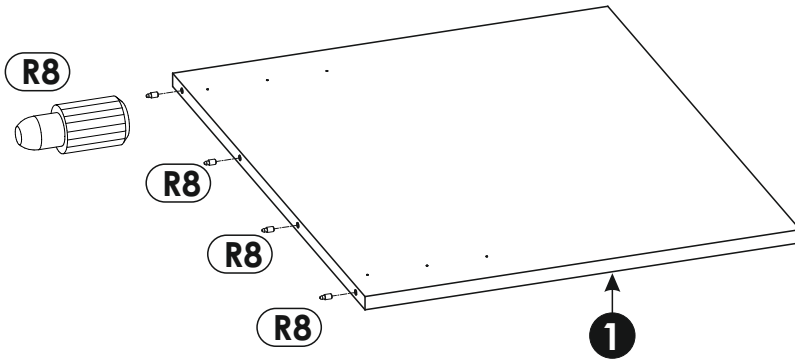
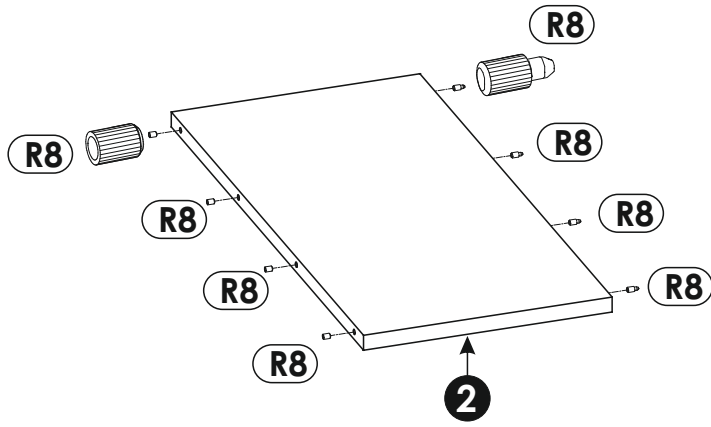
0

A0	8 x 24 mm	x16	A1	8 x 35 mm	x24	E1	15 x 12 mm	x16
E0		x16	F1	6 x 34 mm	x16	G2	7 x 60 mm	x4
I1	4 x 20 mm	x20	I12	4 x 40 mm	x24	M		x1
N2	3,5 X 16 mm	x20	O2		x8	O2A	ø20	x4
R8		x8	S		x1	T10	L-700	x2

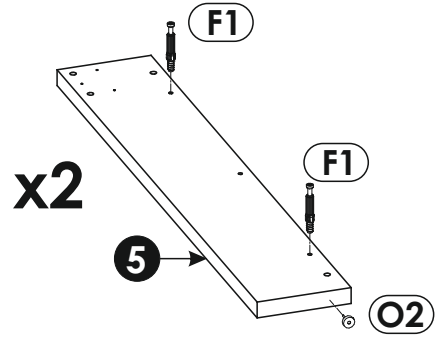
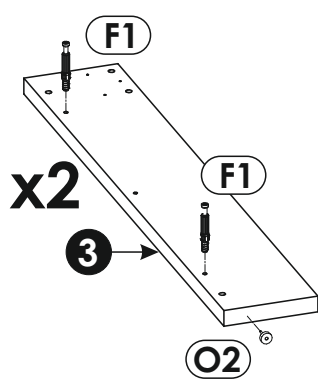
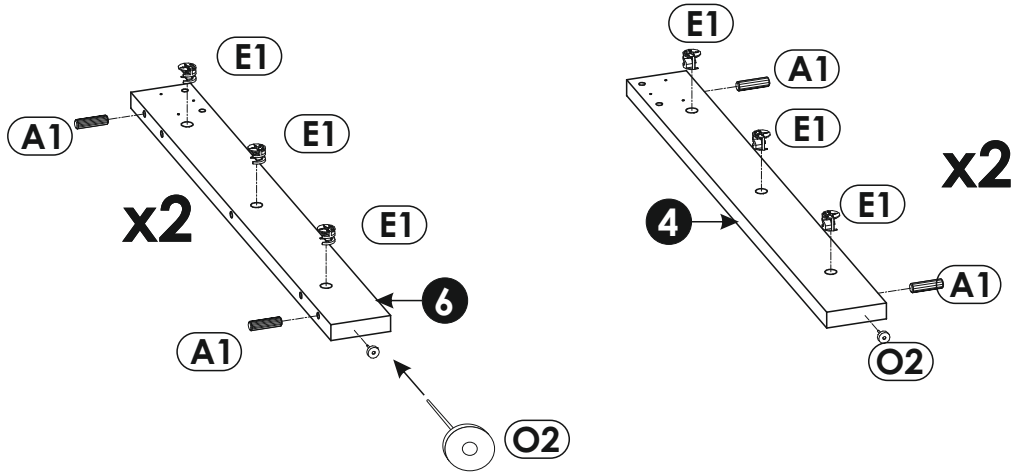




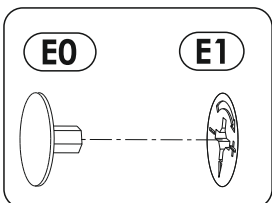
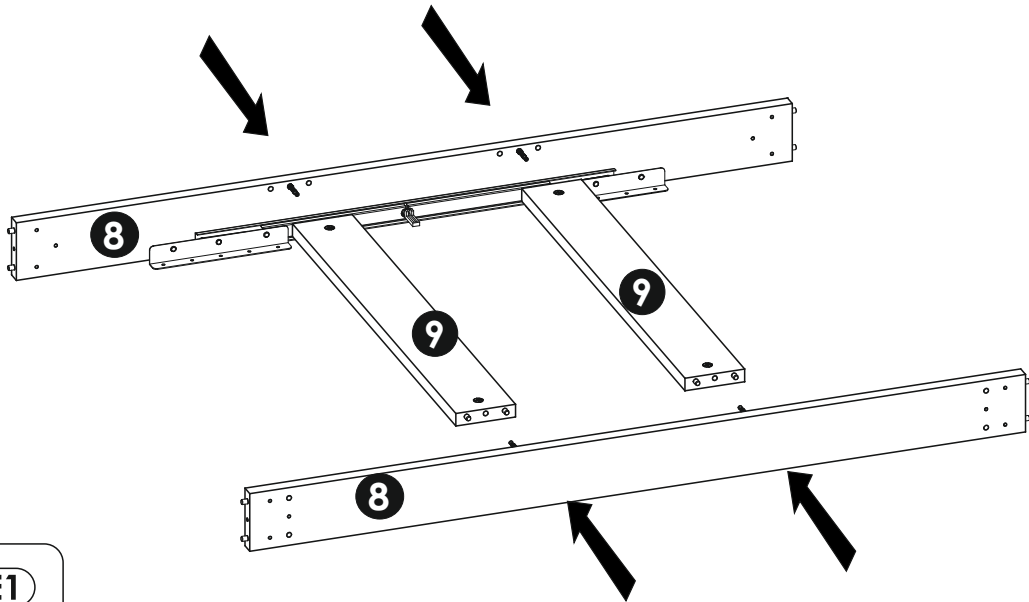
2 ▶



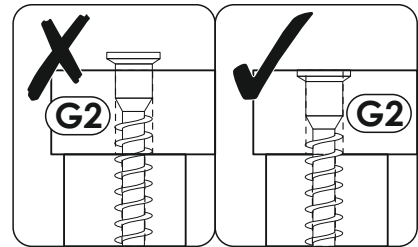
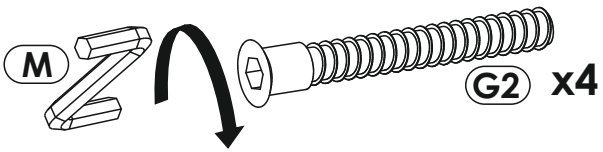
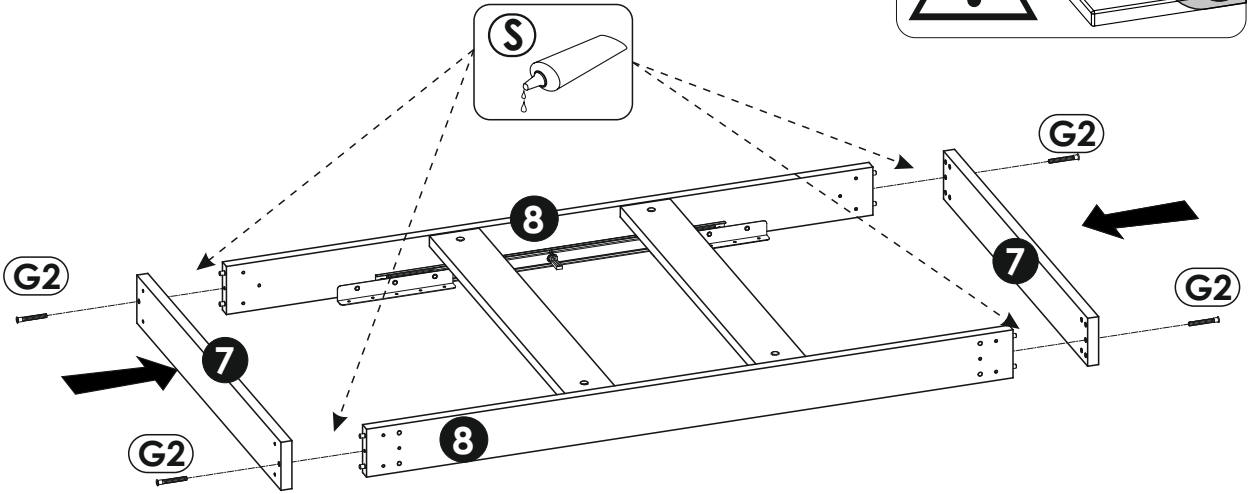
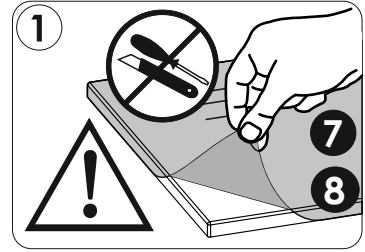
3 ▶



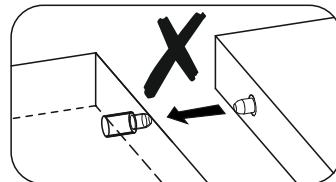
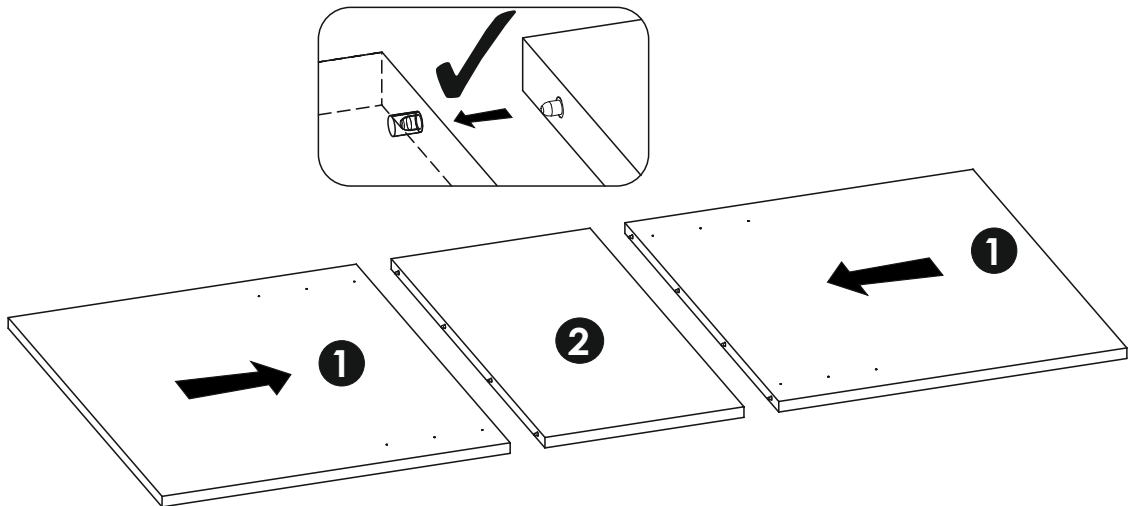
4 ▶



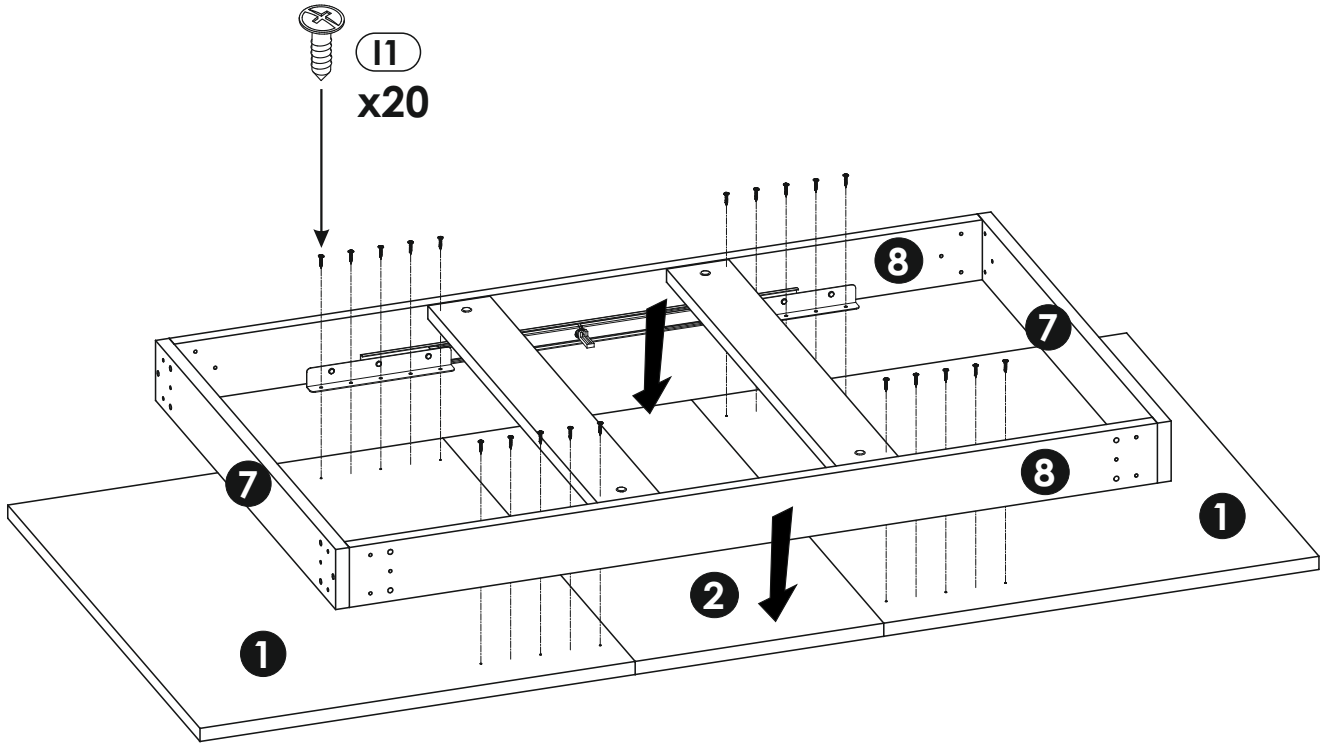
5 ▶



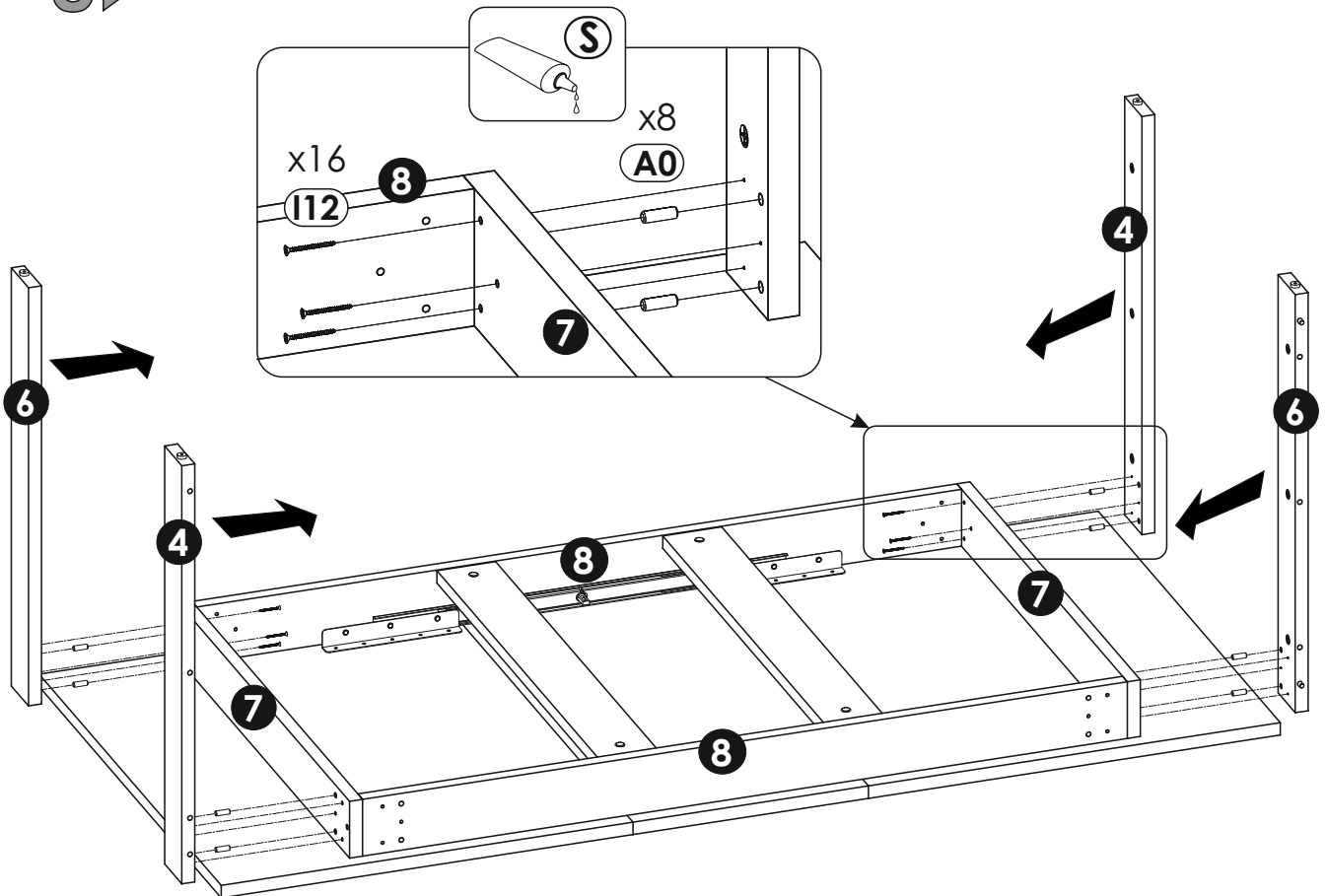
6 ▶

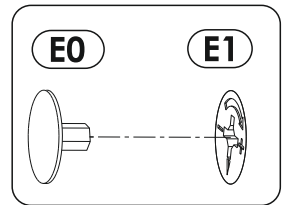
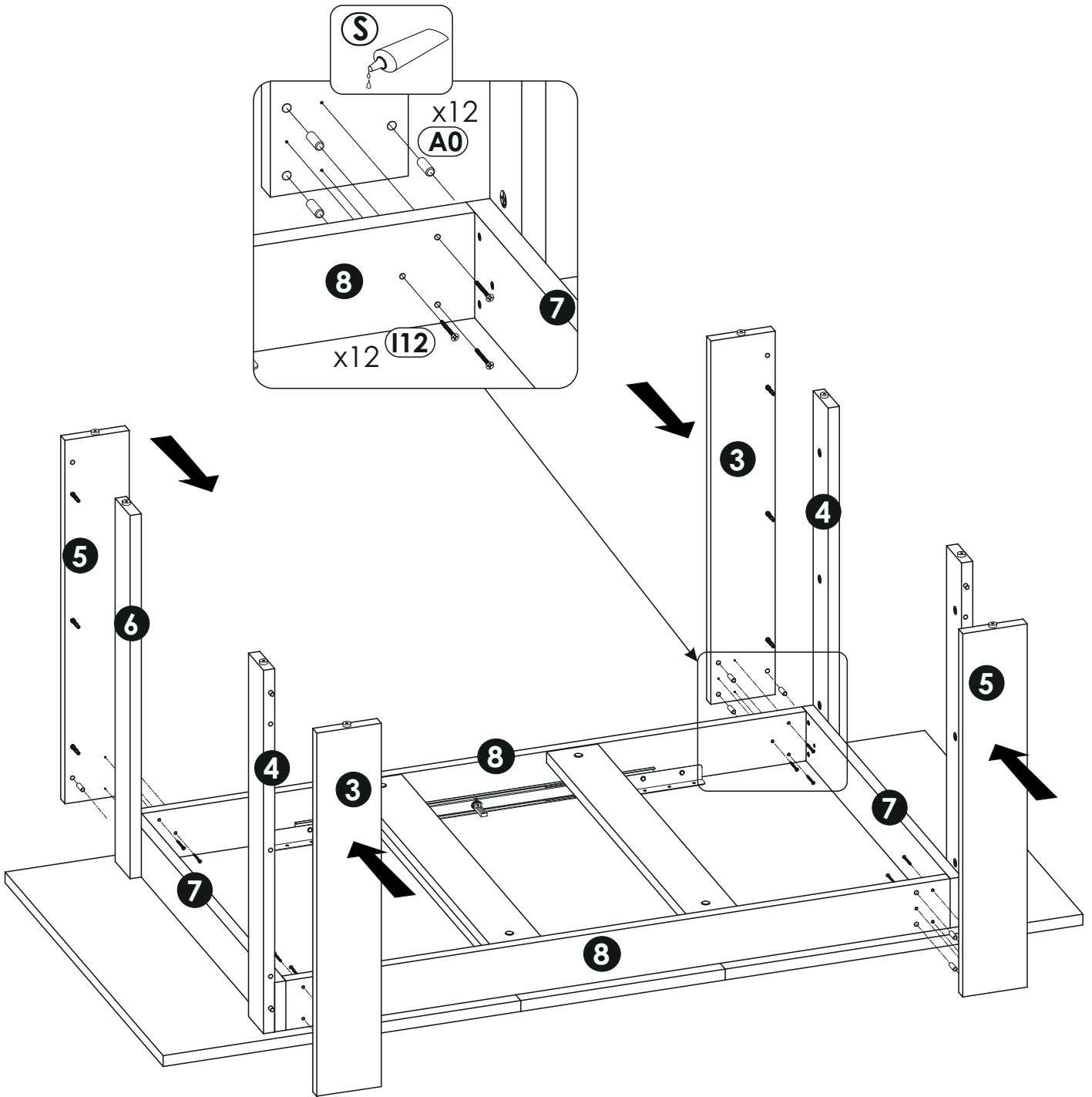


7 ▶

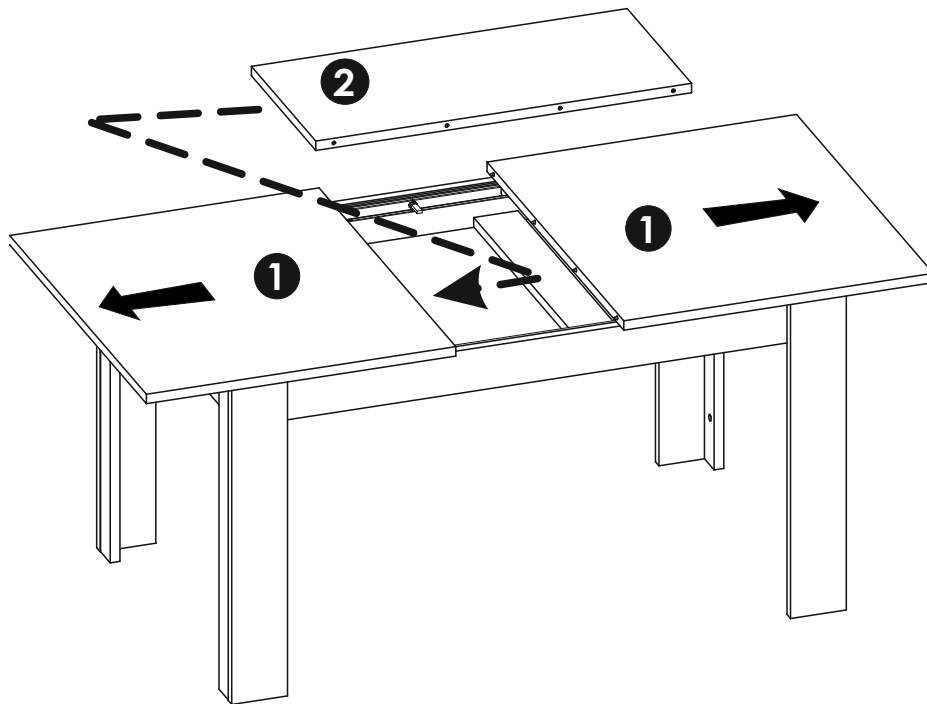


8 ▶





10 ▶



11 ▶

