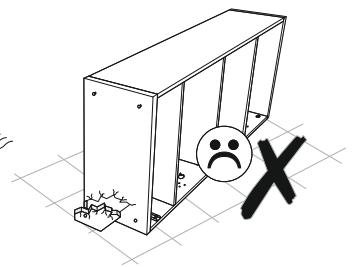
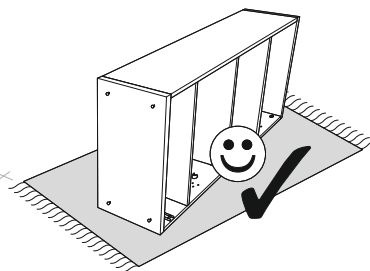
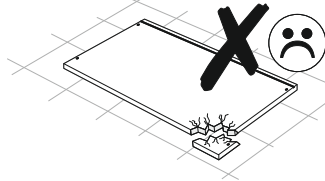
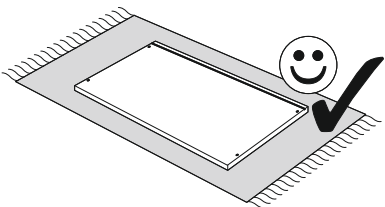
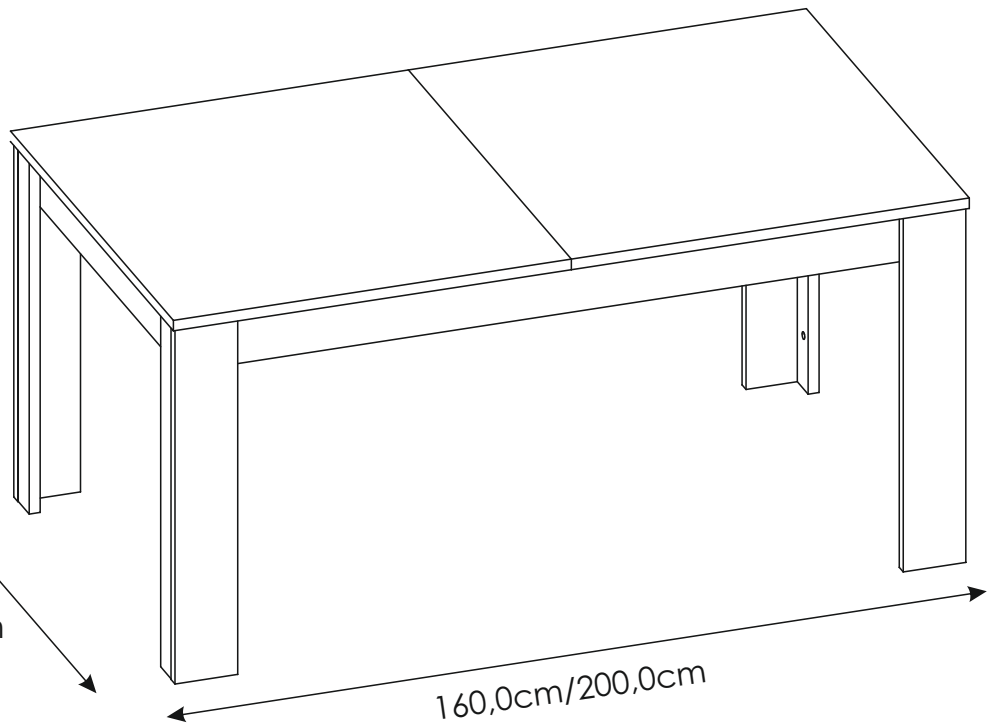
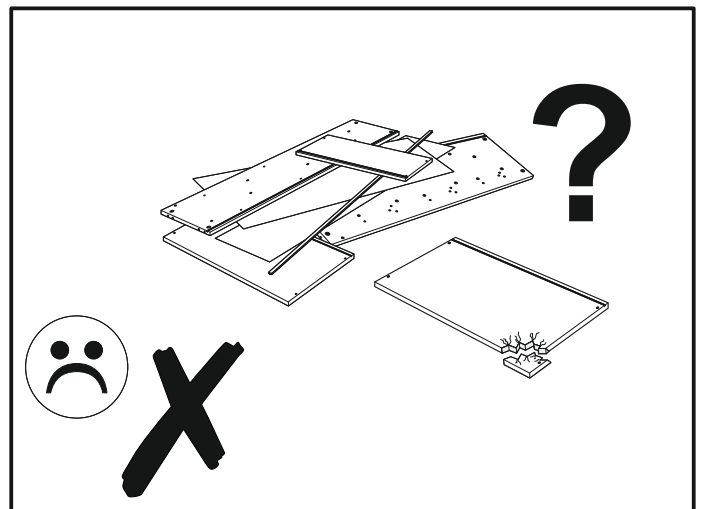
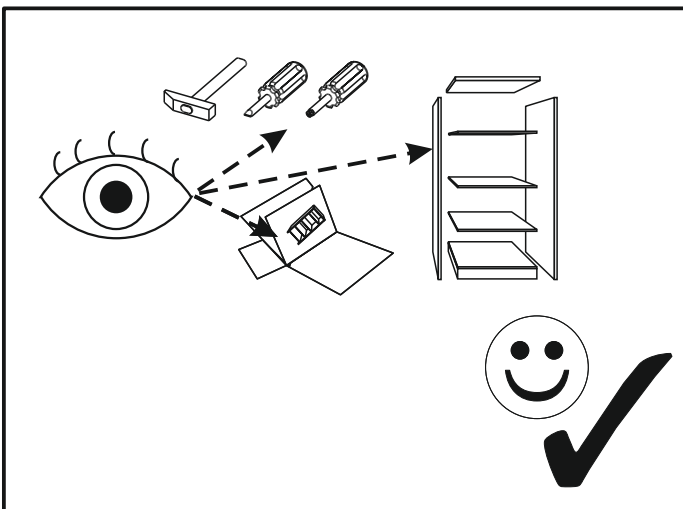
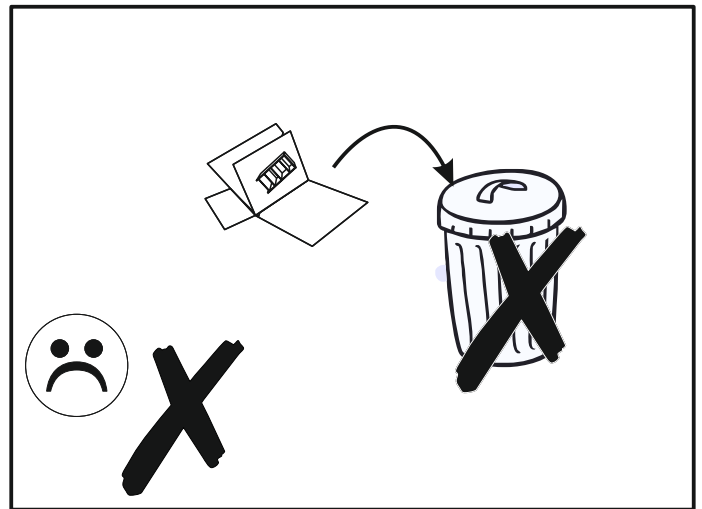
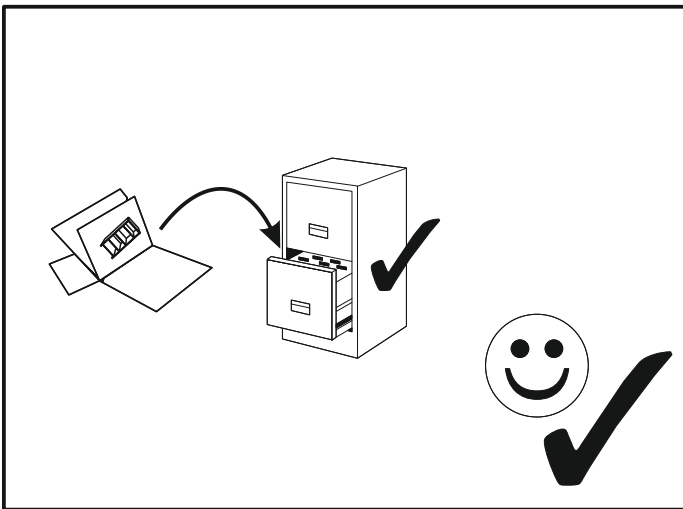
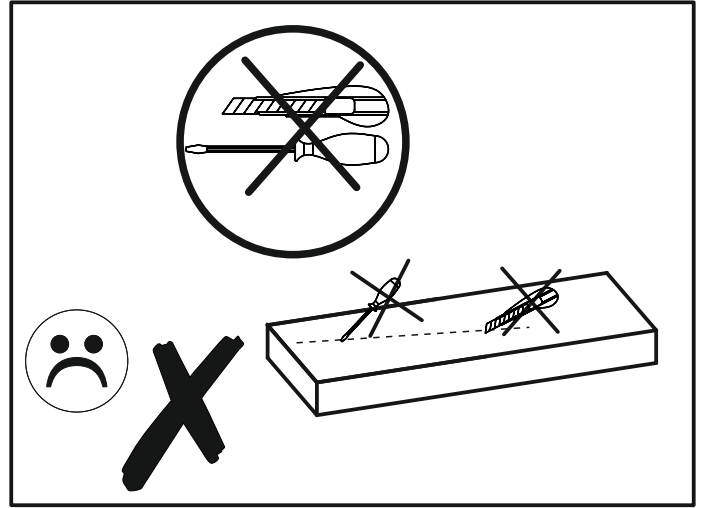
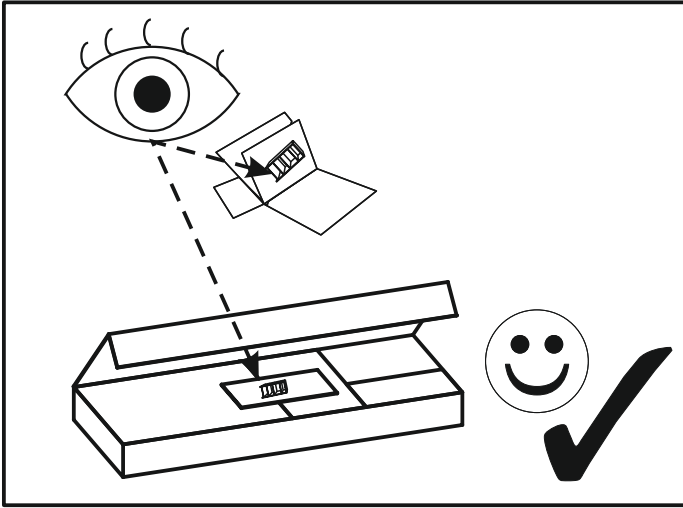


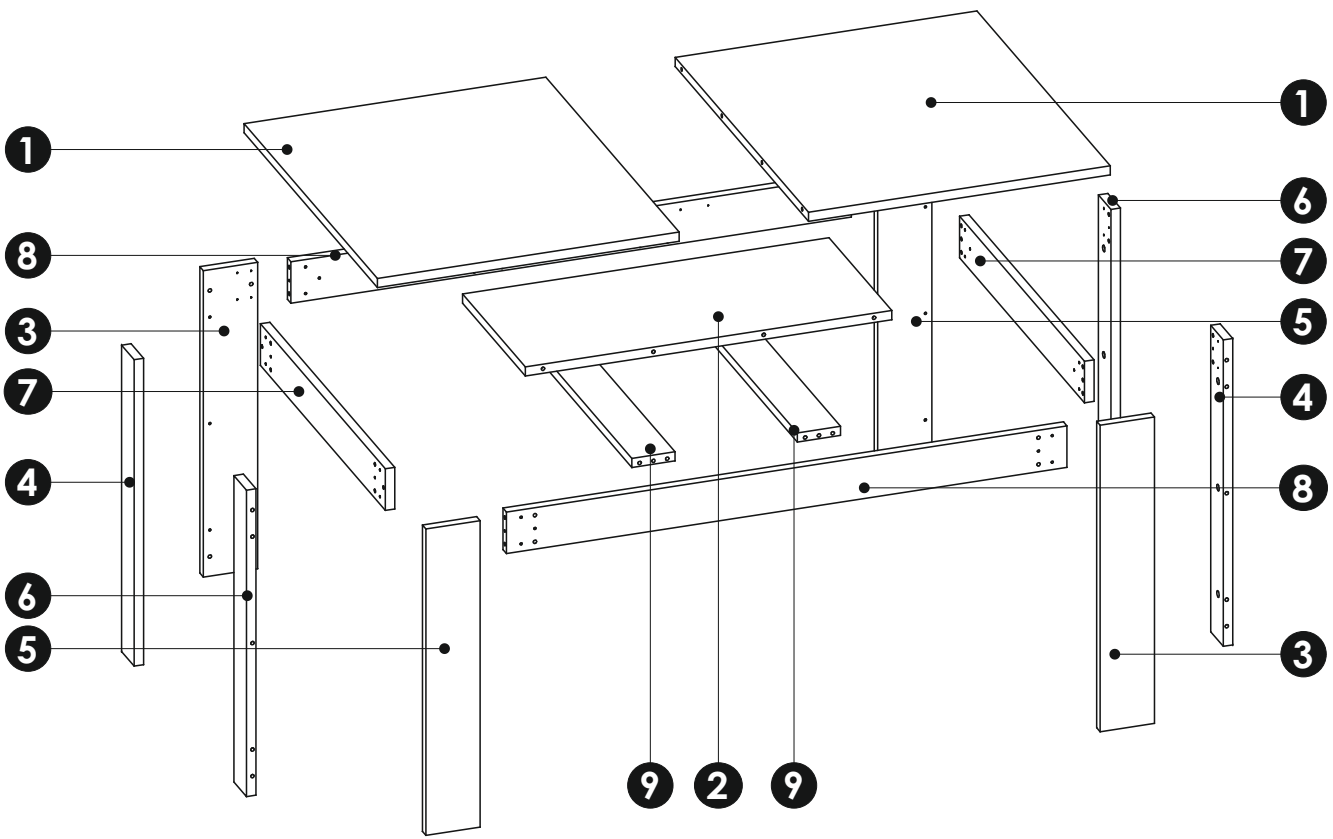
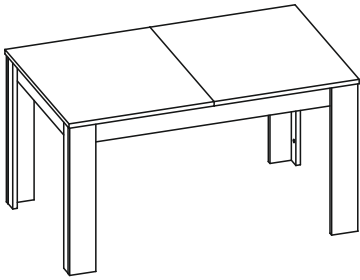
76,6cm

90cm

160,0cm/200,0cm




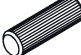


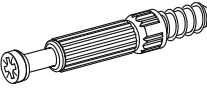



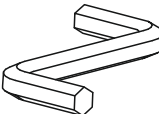
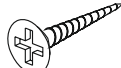
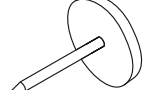

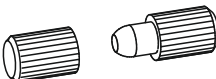
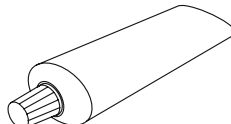
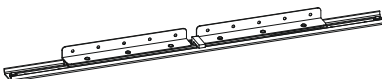


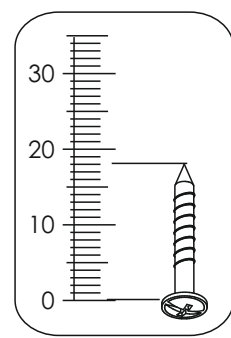
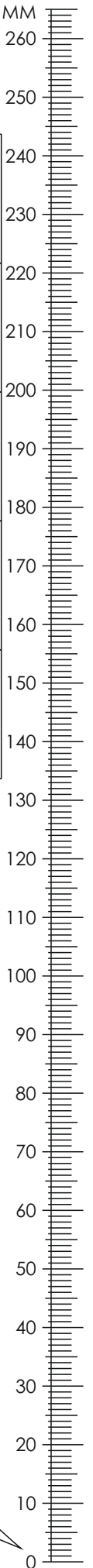


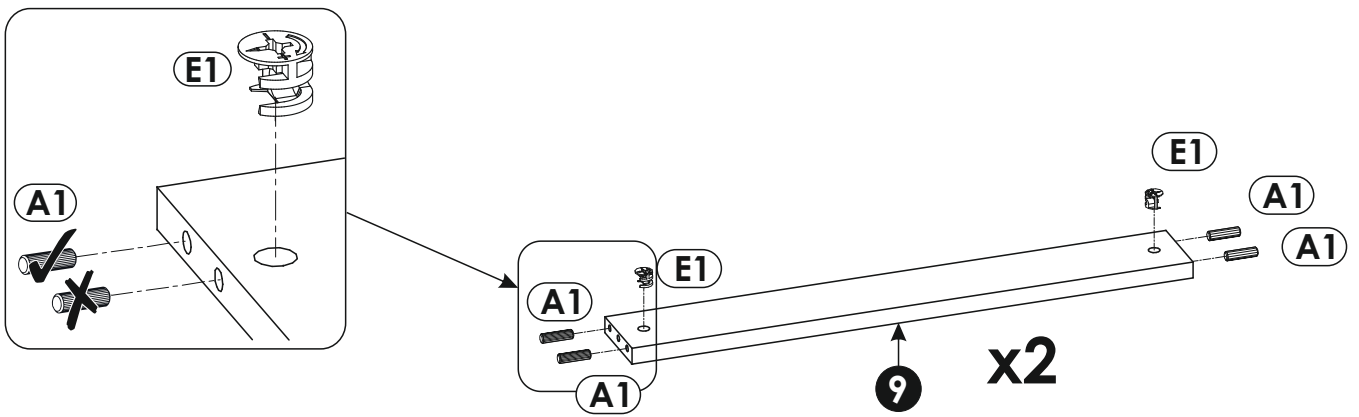
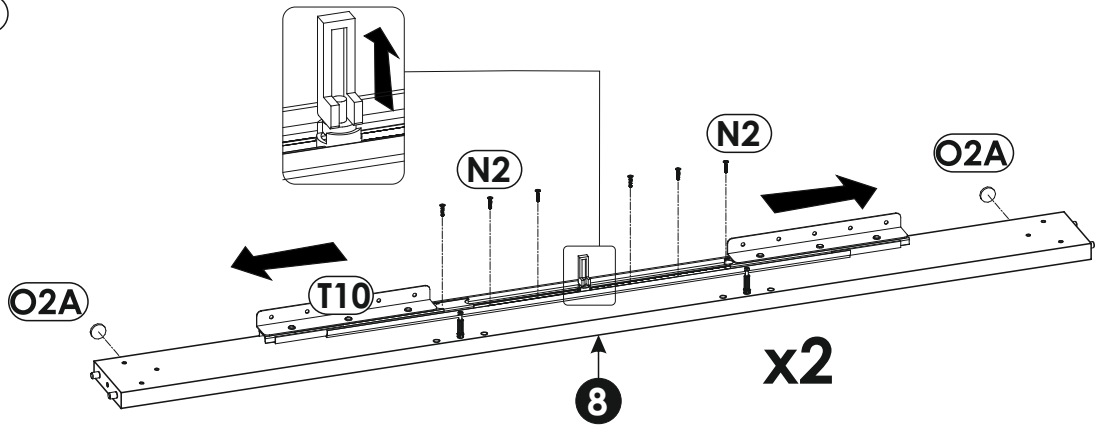
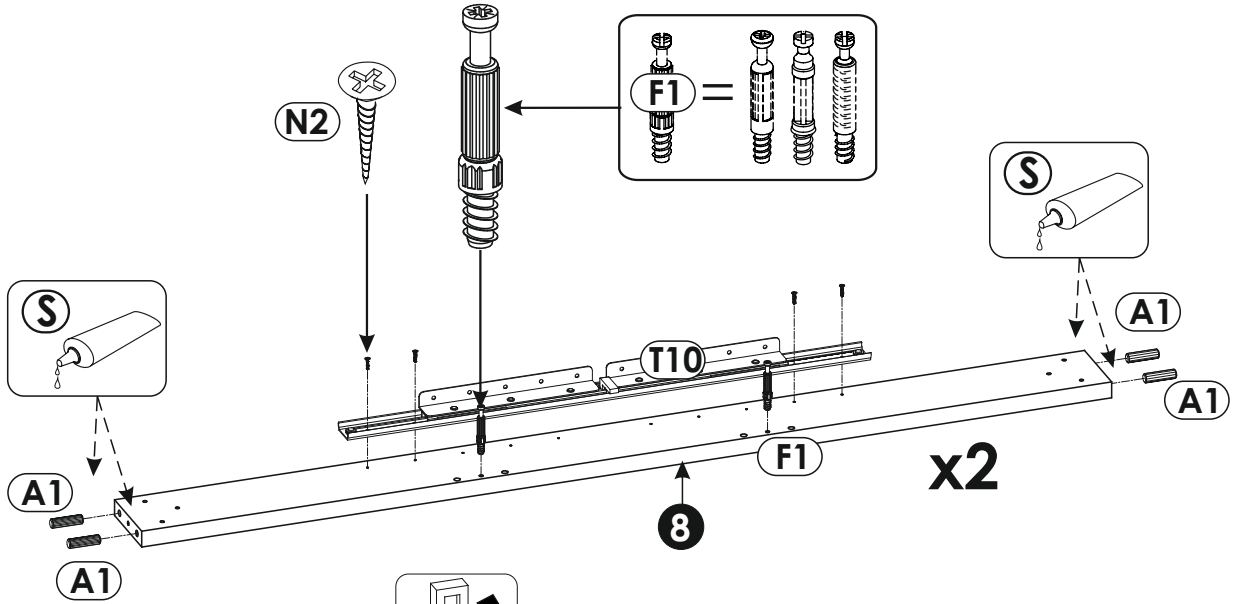
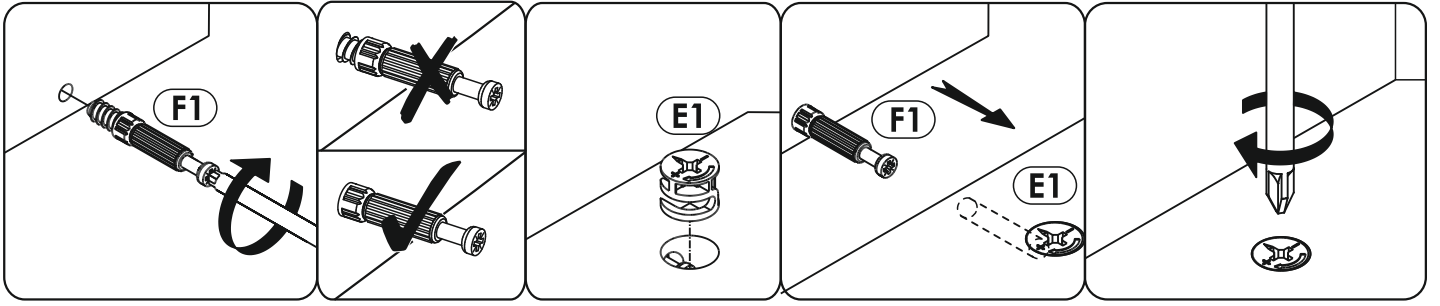
1	900	800	22 x2	2/2
2	900	400	22 x1	2/2
3	737	126	22 x2	1/2

4	737	80	22 x2	1/2
5	737	126	22 x2	1/2
6	737	80	22 x2	1/2

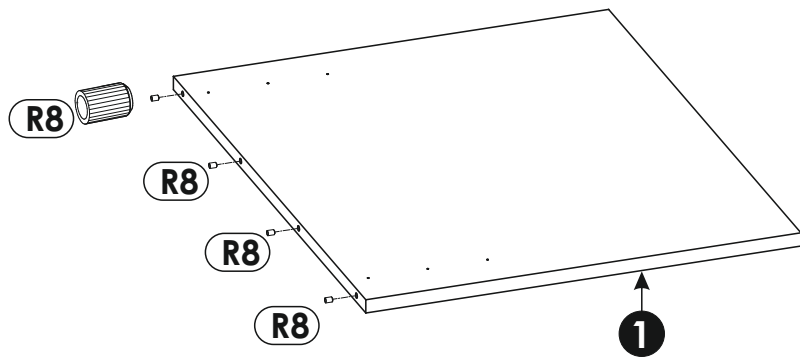
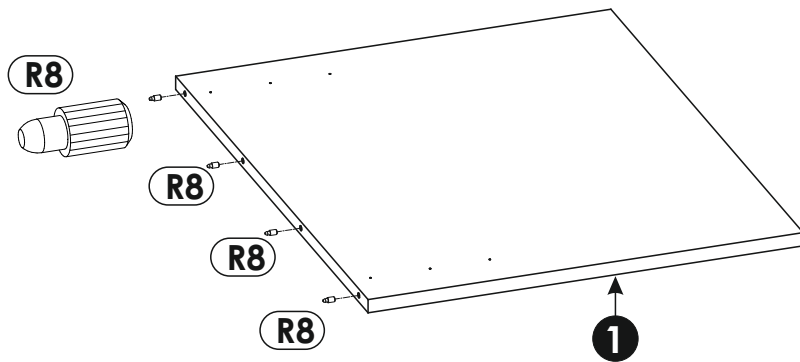
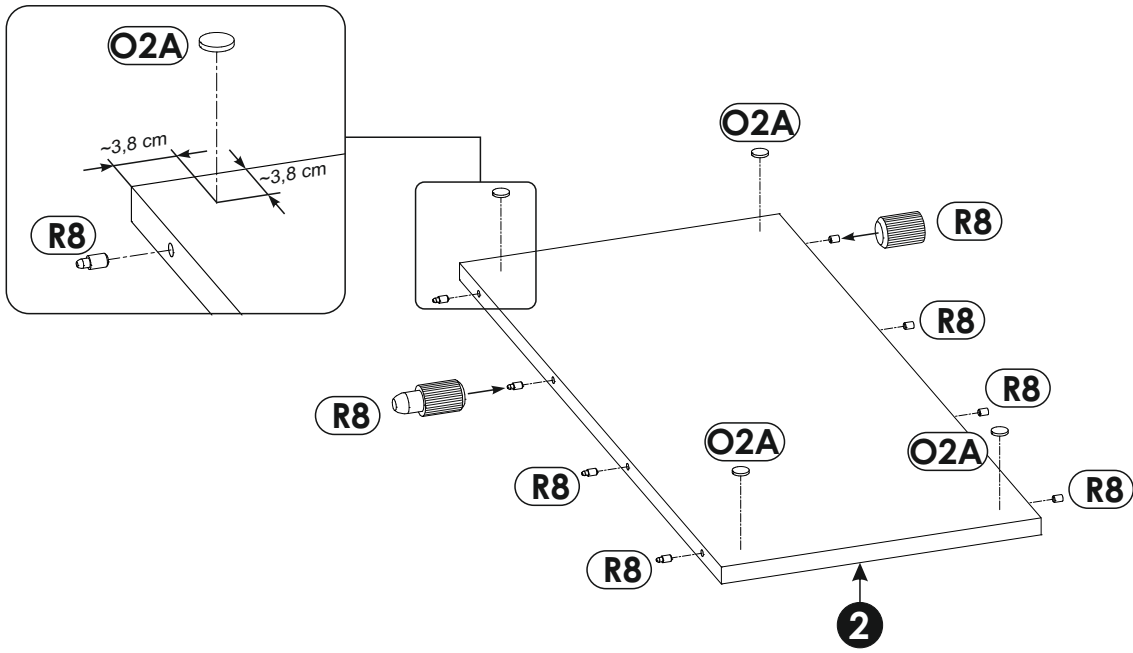
7	846	100	22 x2	1/2
8	1500	100	22 x2	1/2
9	802	100	22 x2	2/2

A0 8 x 24 mm x16 	A1 8 x 35 mm x24 	E1 15 x 12 mm x16 
E0  x16	F1 6 x 34 mm x16 	G2 7 x 60 mm x4 
I1 4 x 20 mm x20 	I12 4 x 40 mm x24 	M  x1
N2 3,5 X 16 mm x20 	O2  x8	O2A ø20 x8 
R8  x8	S  x1	T10 L-700 x2 

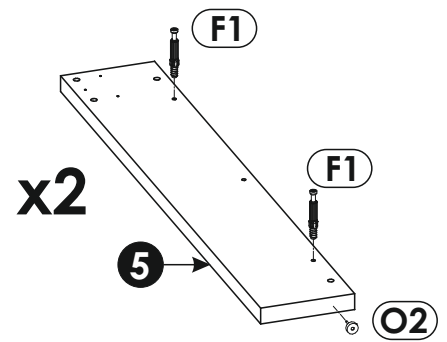
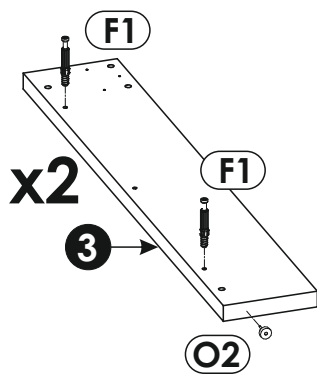
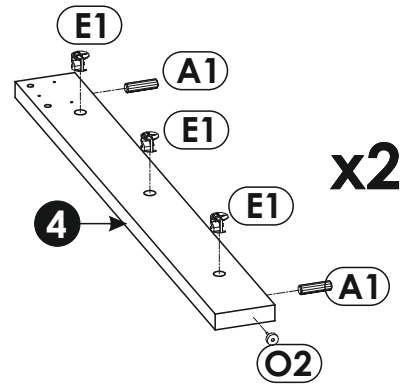
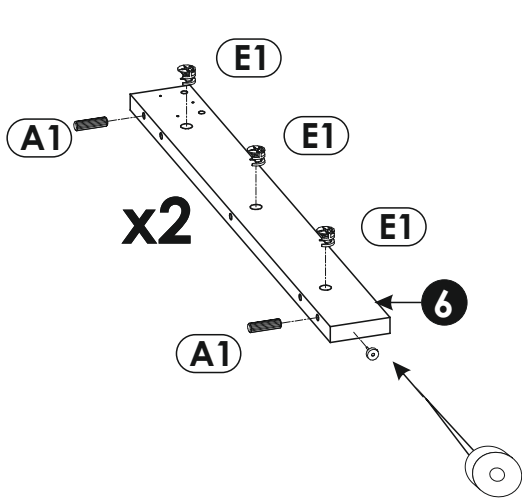




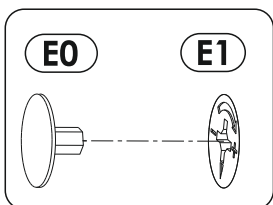
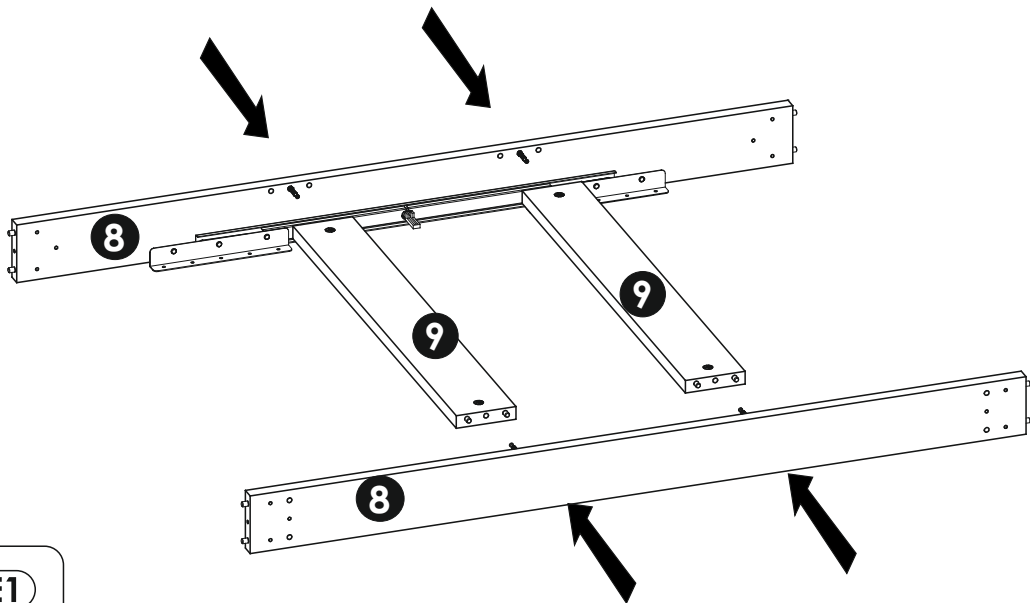
2 ▶



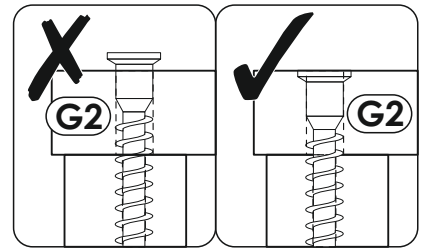
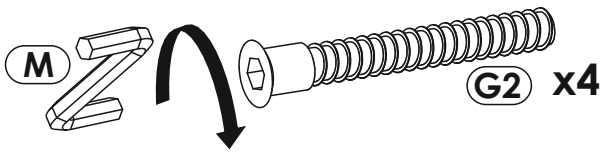
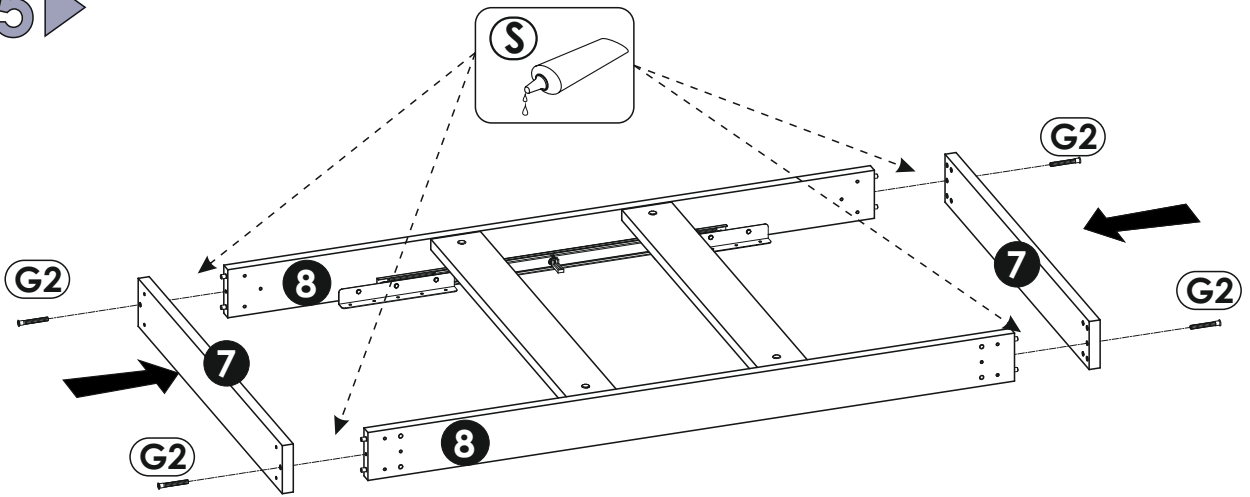
3 ▶



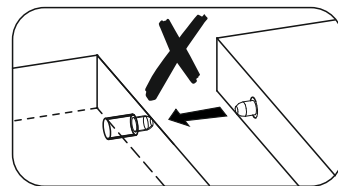
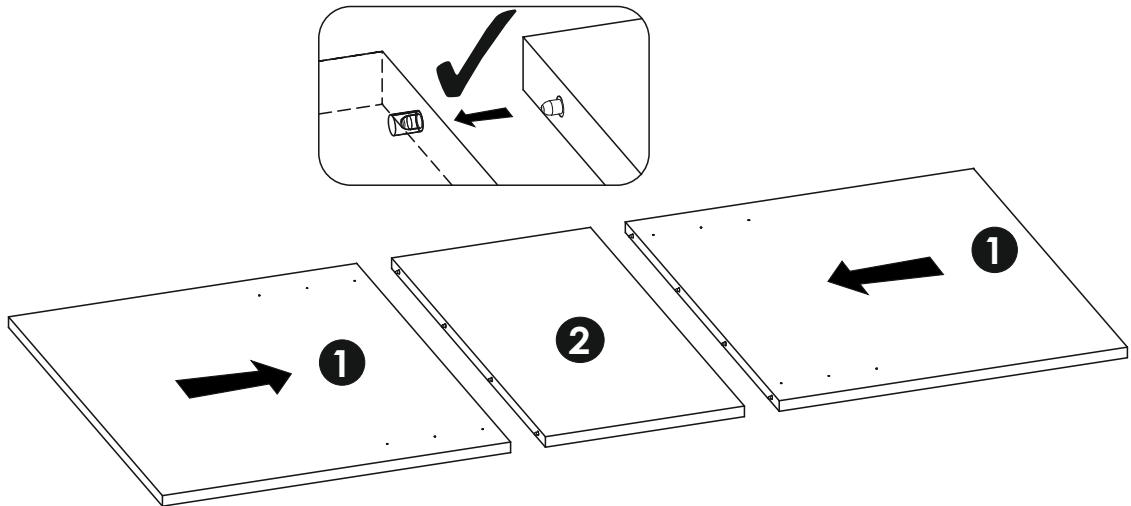
4 ▶



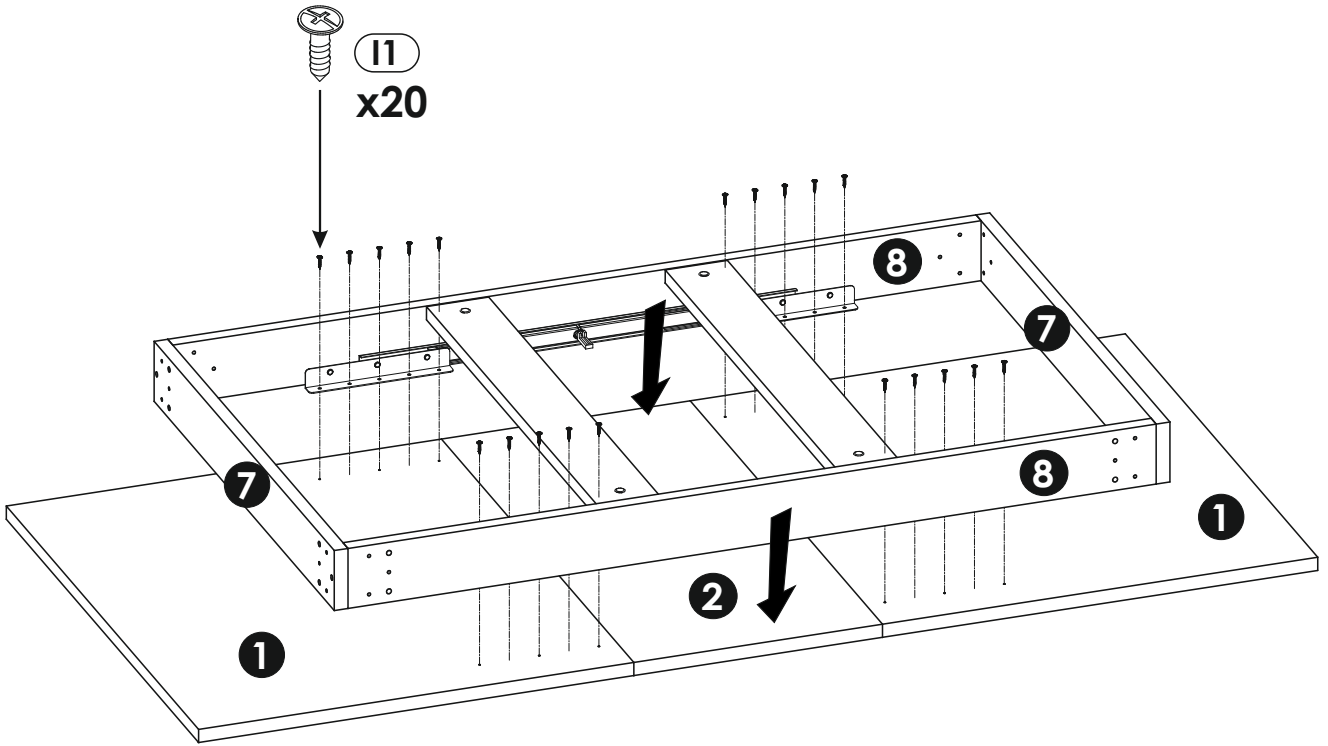
5 ▶



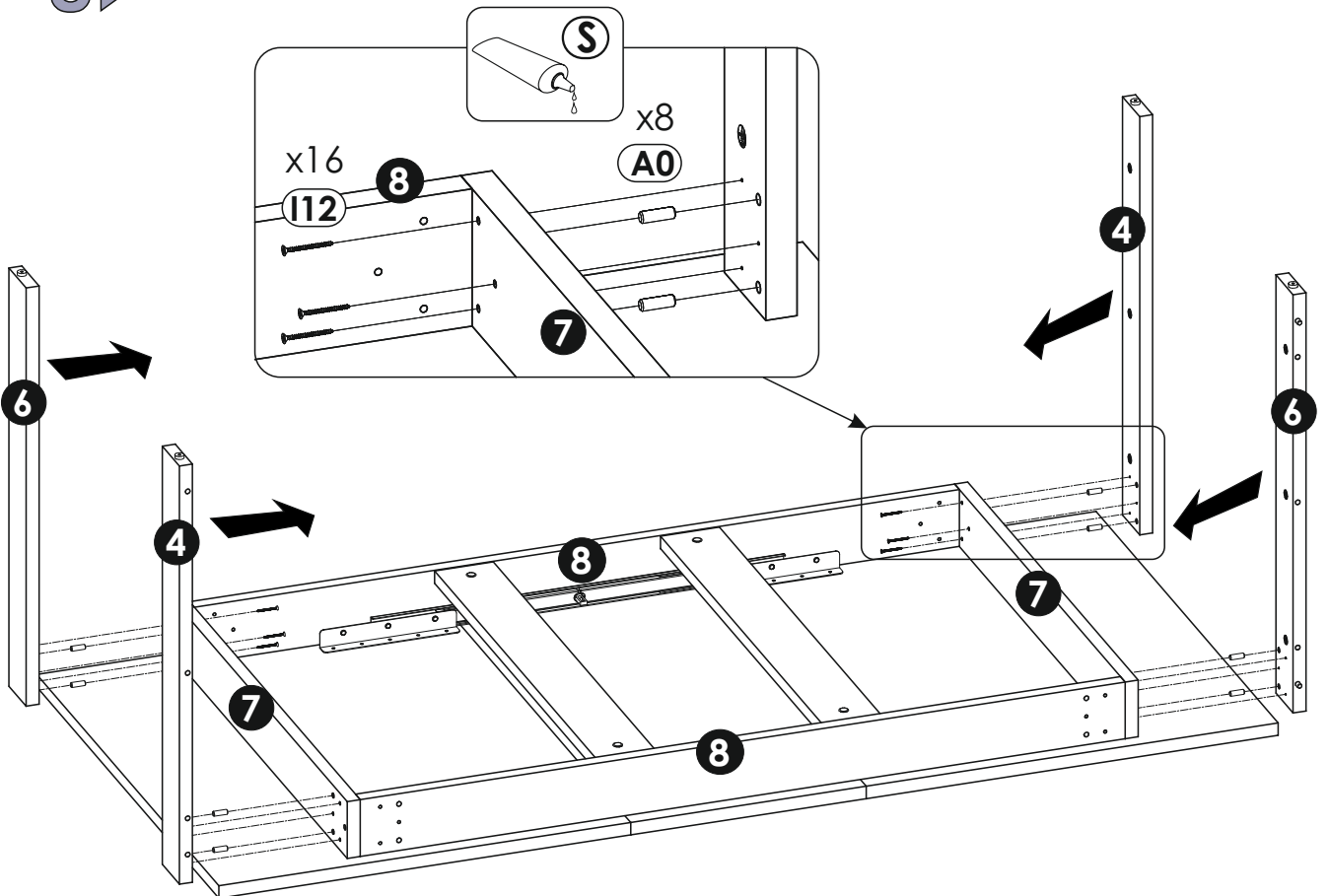
6 ▶

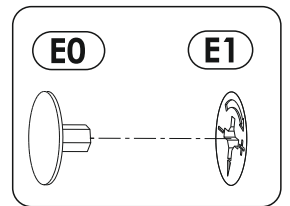
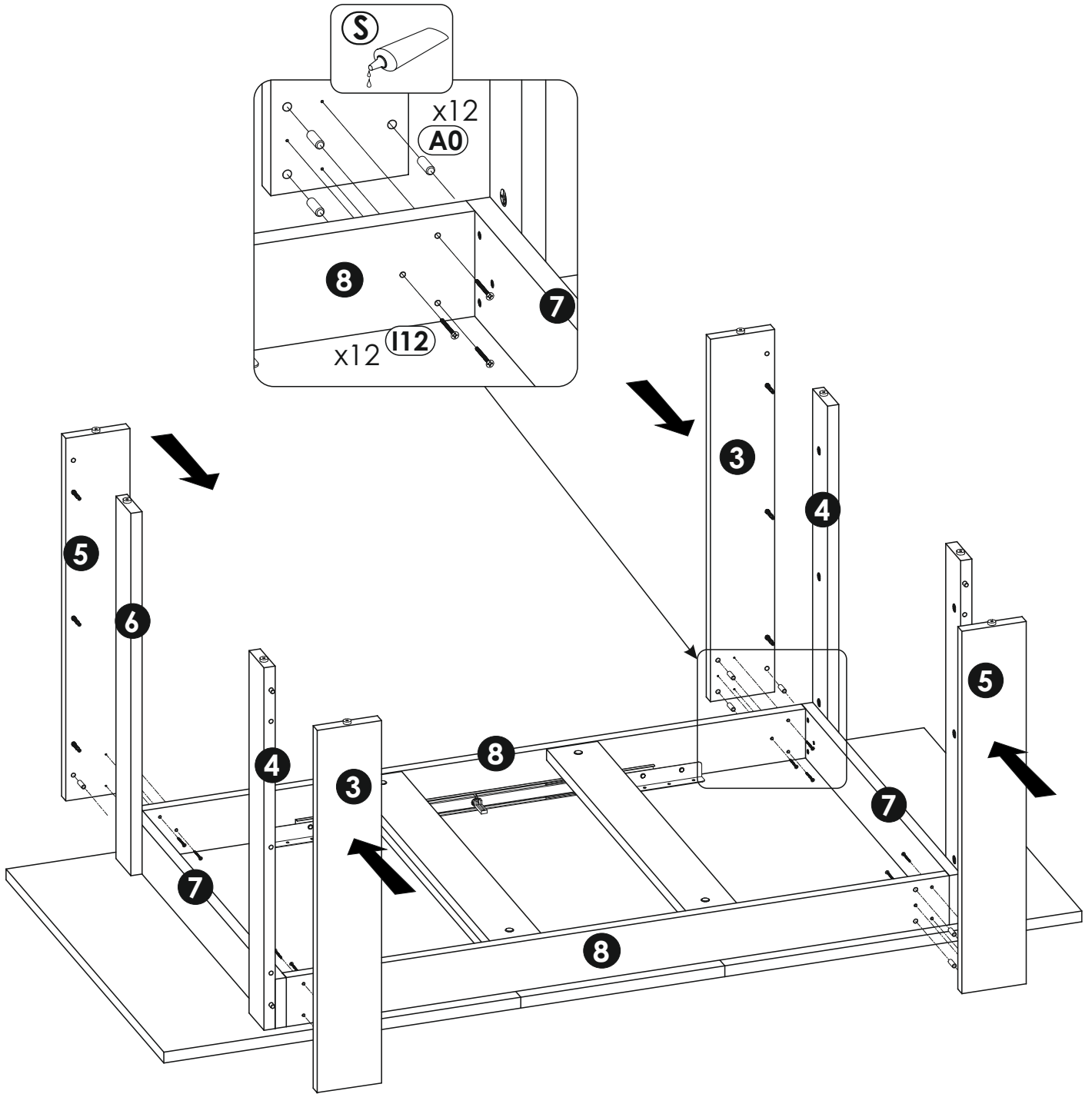


7 ▶

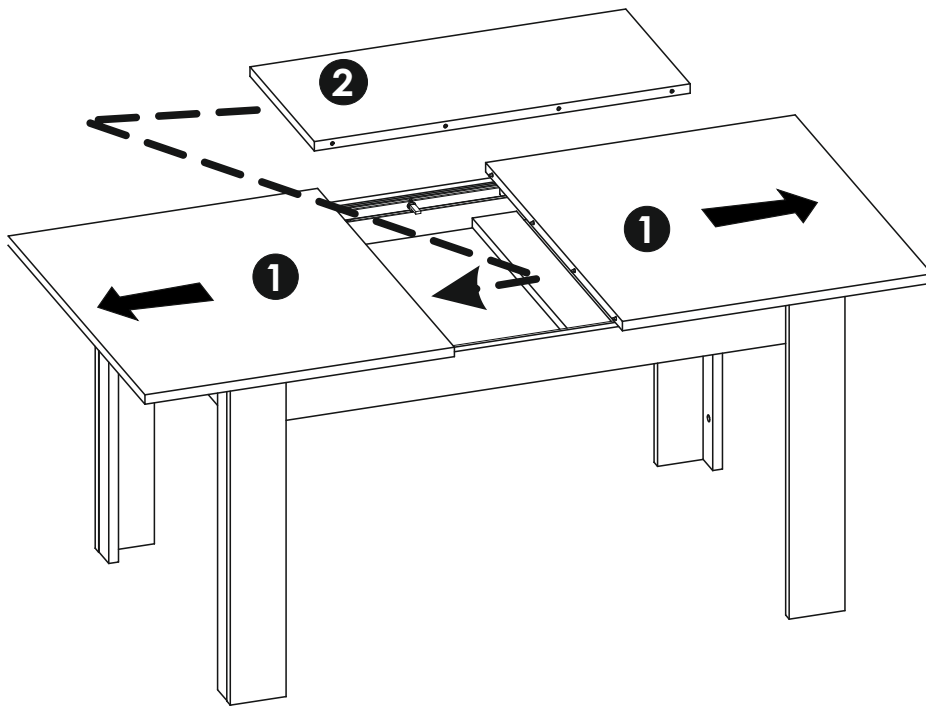


8 ▶





11 ▶



12 ▶

