

MM

260

250

240

230

220

210

200

190

180

170

160

150

140

130

120

110

100

90

80

70

60

50





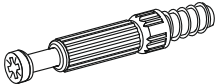

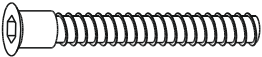



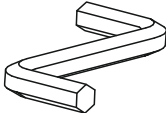

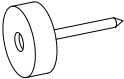
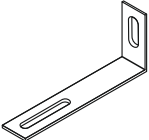
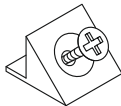
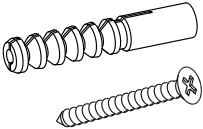
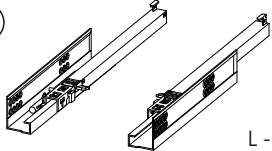
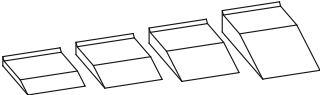
40

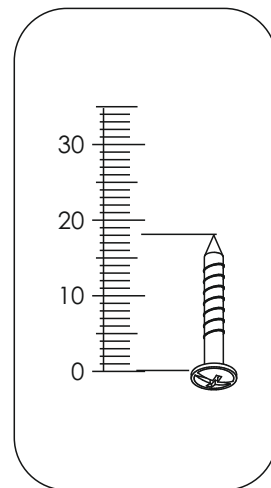
30

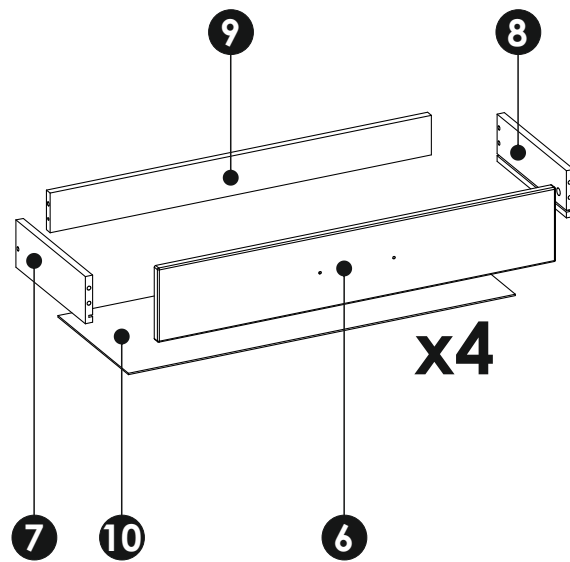
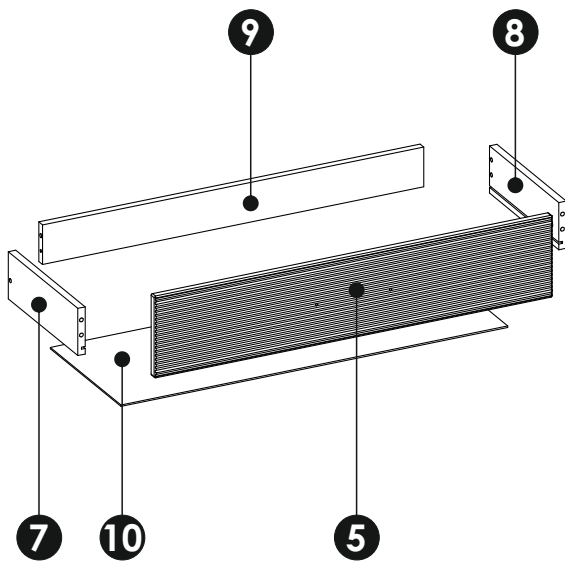
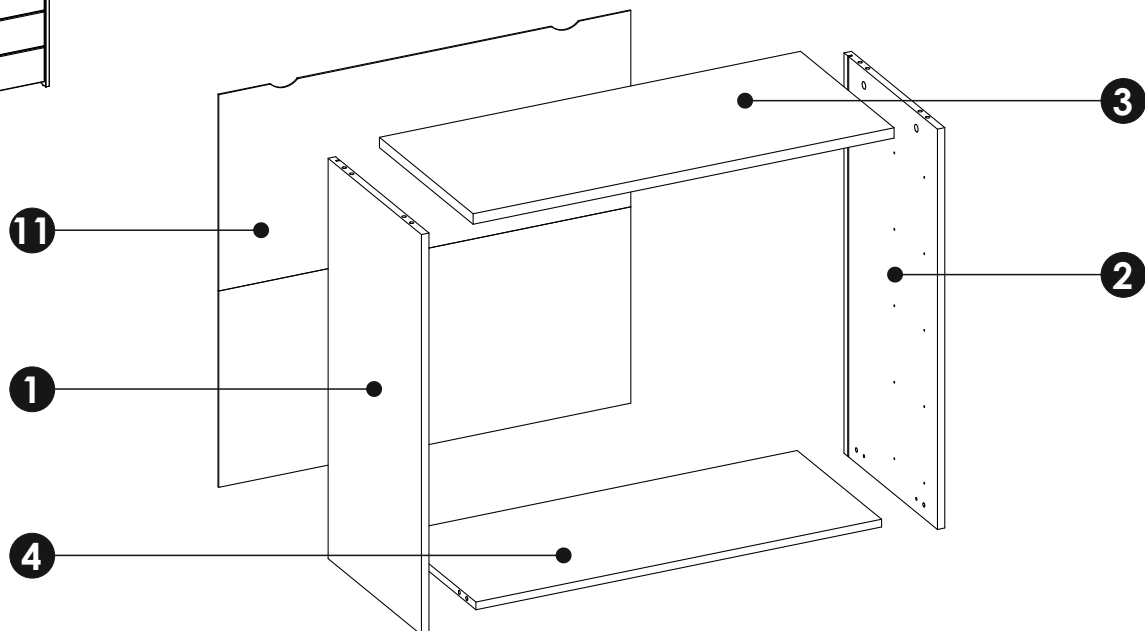
20

10

0

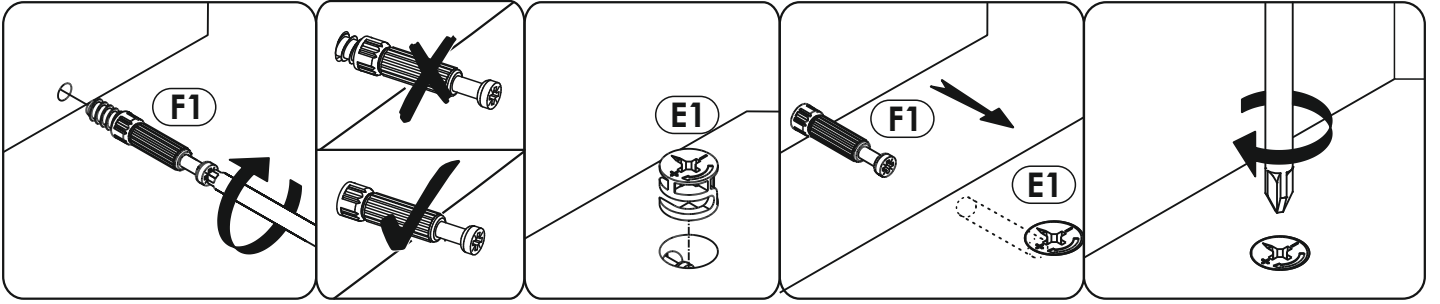
A1 $\varnothing 8 \times 35 \text{ mm}$ x28 	C2 $5 \times 13 \text{ mm}$ x20 	E0  x18
E1 $15 \times 12 \text{ mm}$ x18 	F1 $6 \times 34 \text{ mm}$ x18 	G0  x10
G1 $\varnothing 7 \times 50 \text{ mm}$ x10 	H1 $L-197 \text{ mm}$ x5 	I2 $4 \times 16 \text{ mm}$ x2 
J3 $4 \times 22 \text{ mm}$ x10 	M  x1	N1 $3 \times 16 \text{ mm}$ x45 
O2  x4	Q9  x2	R4  x16
S13  x2	T7  x5 $L - 300 \text{ mm}$	Z  x1



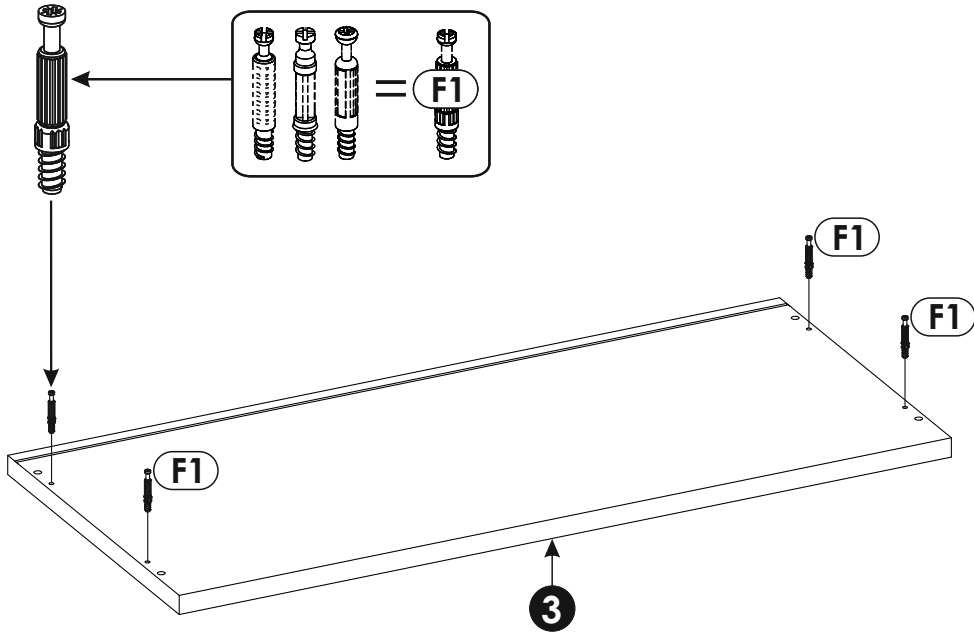


1	838	399	16	x1	2/2
2	838	399	16	x1	2/2
3	900	400	22	x1	1/2
4	867	360	16	x1	1/2
5	861	173	16	x1	1/2
6	861	157	16	x4	1/2

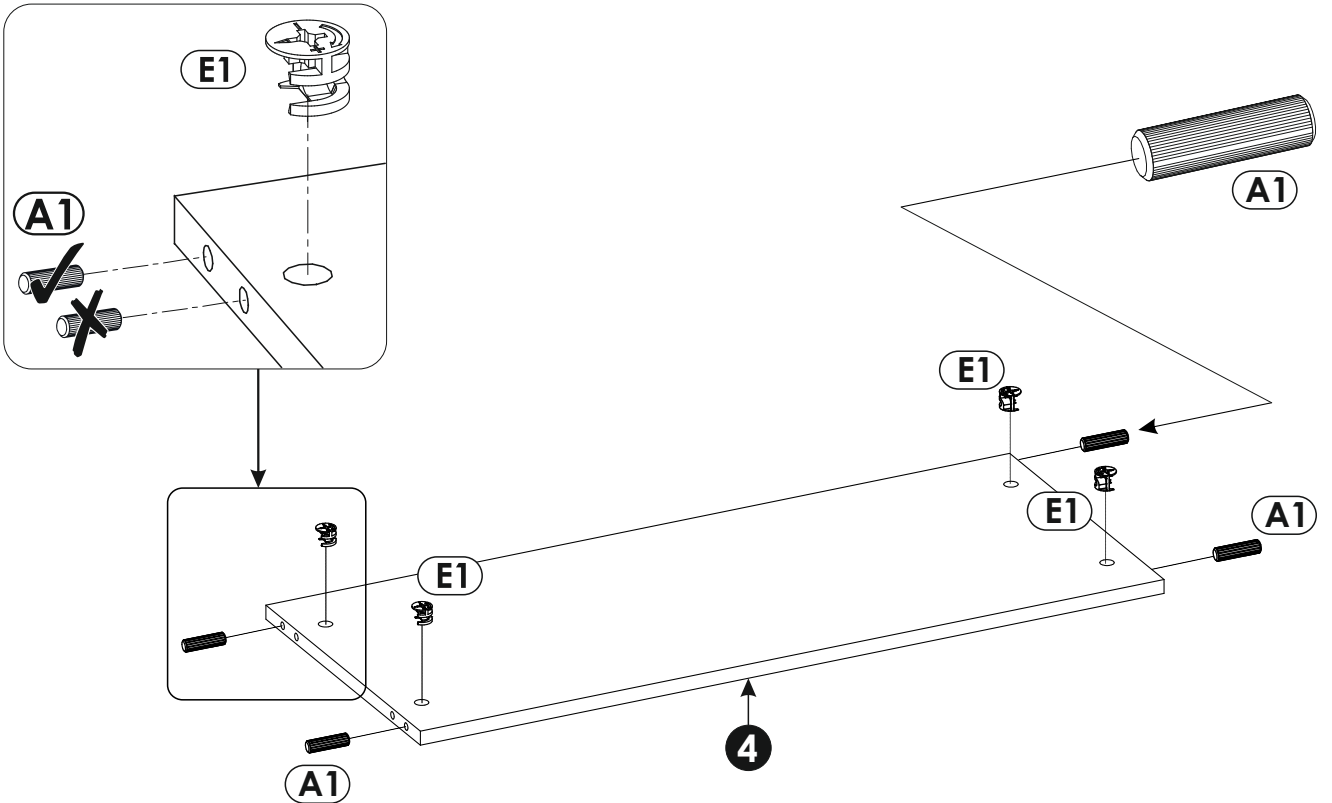
7	300	100	16	x5	2/2
8	300	100	16	x5	2/2
9	825	84	16	x5	1/2
10	837	303	3	x5	2/2
11	881	822	3	x1	1/2



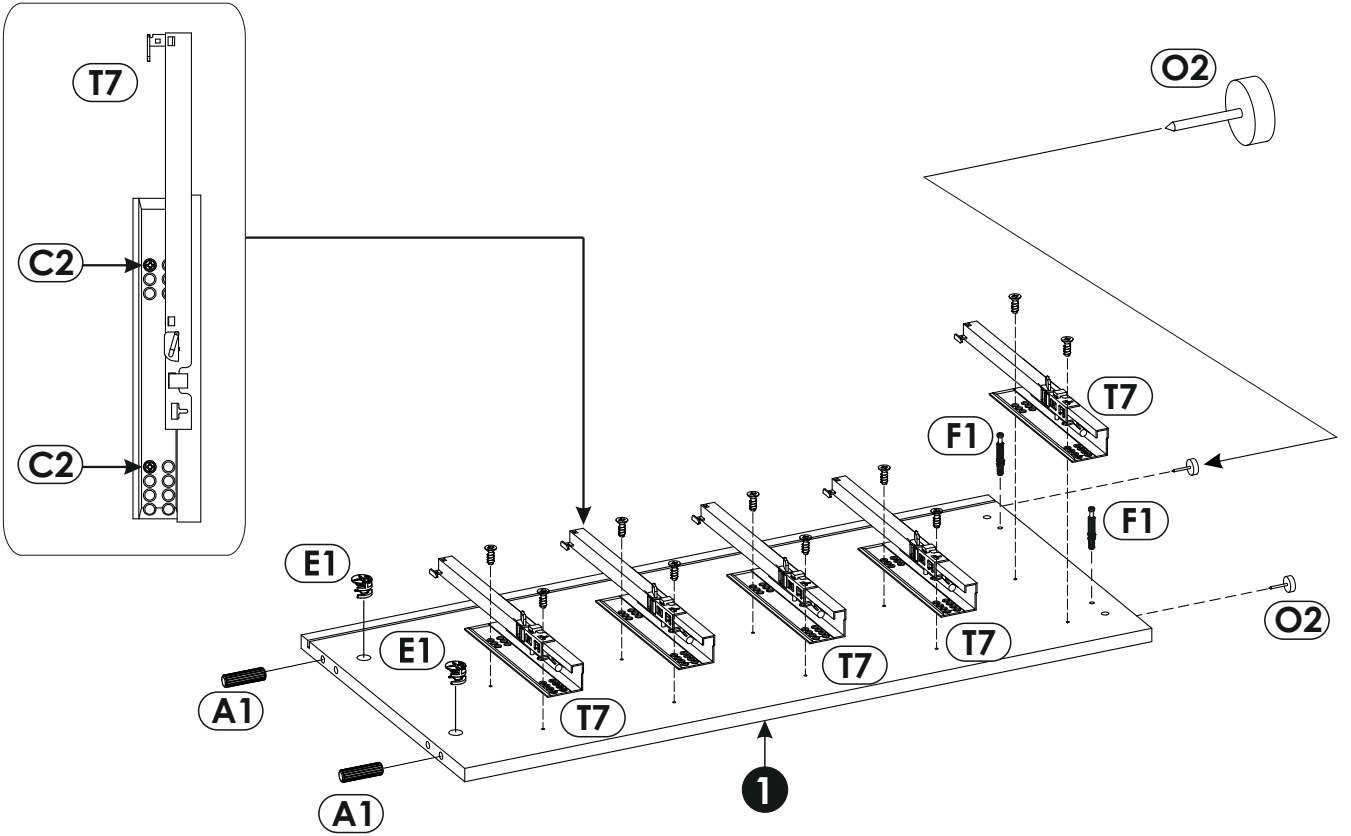
1 ▶



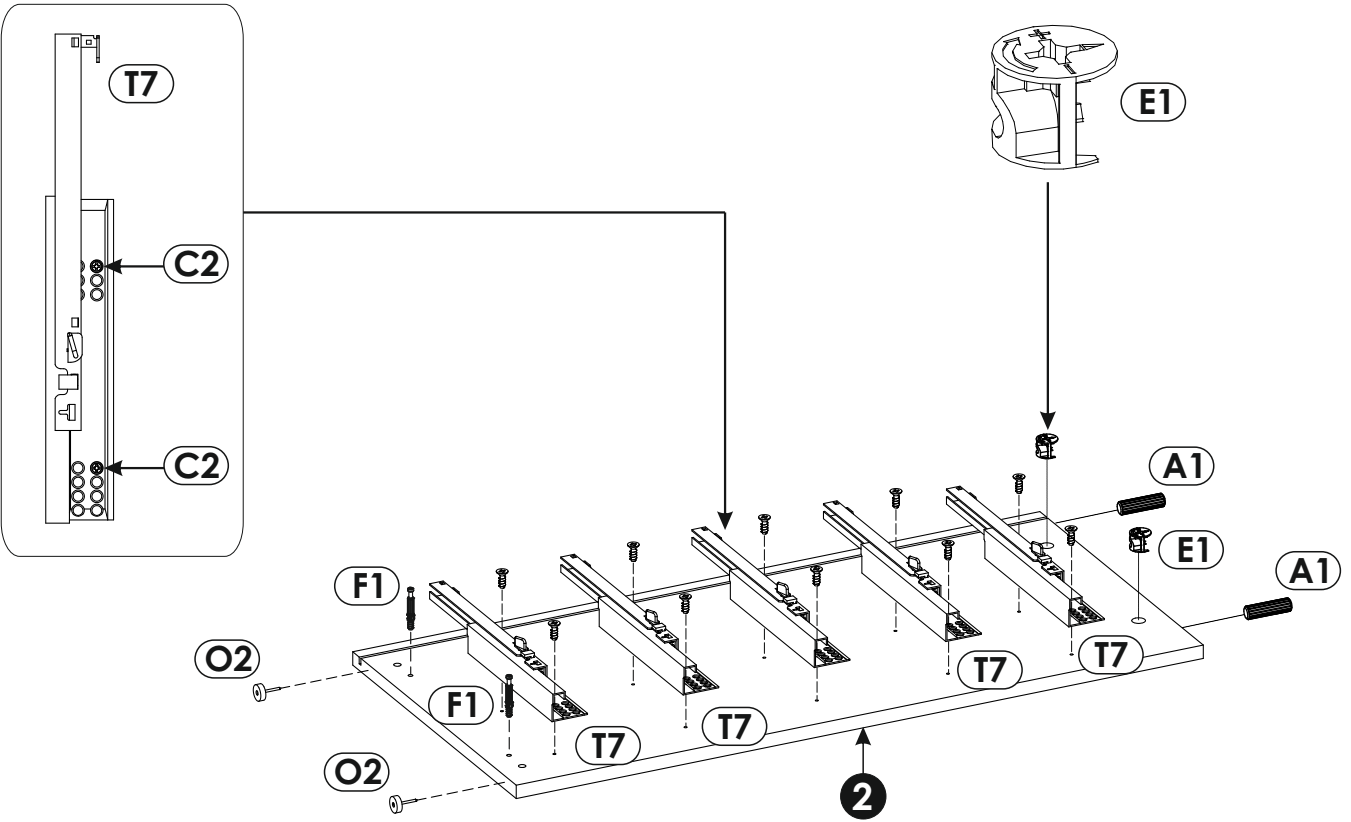
2 ▶



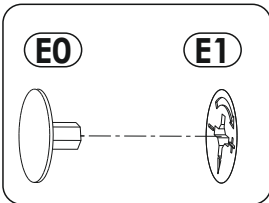
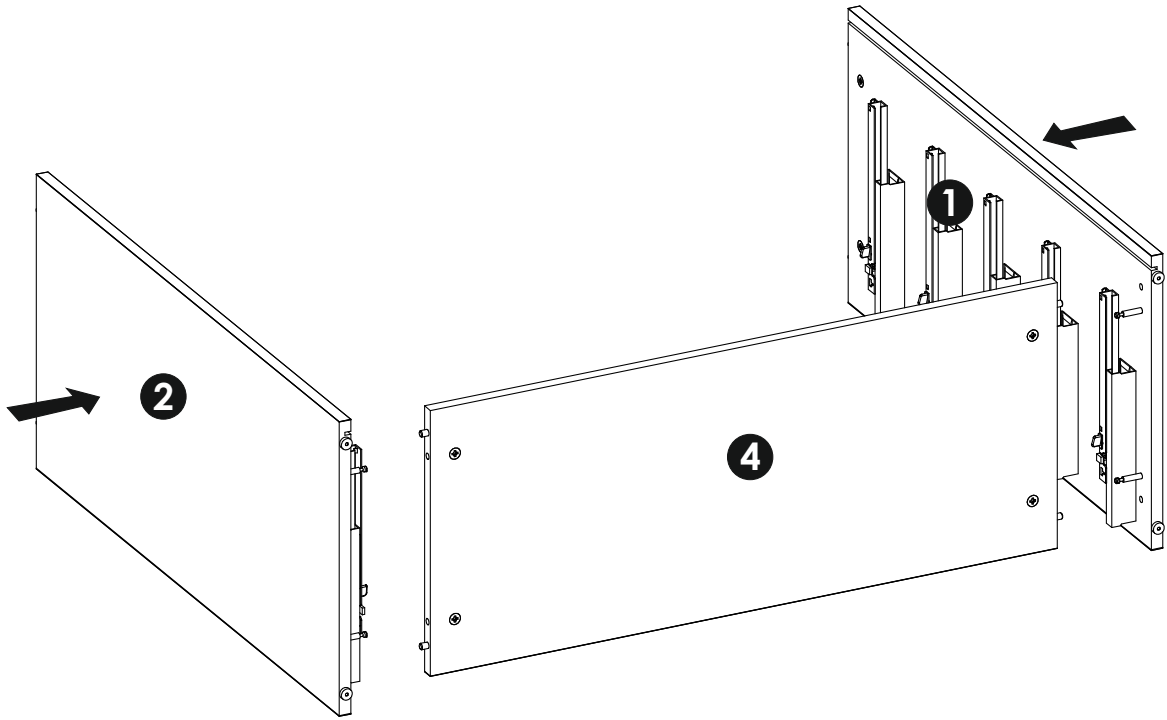
3 ▶



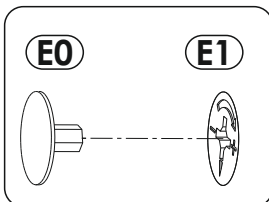
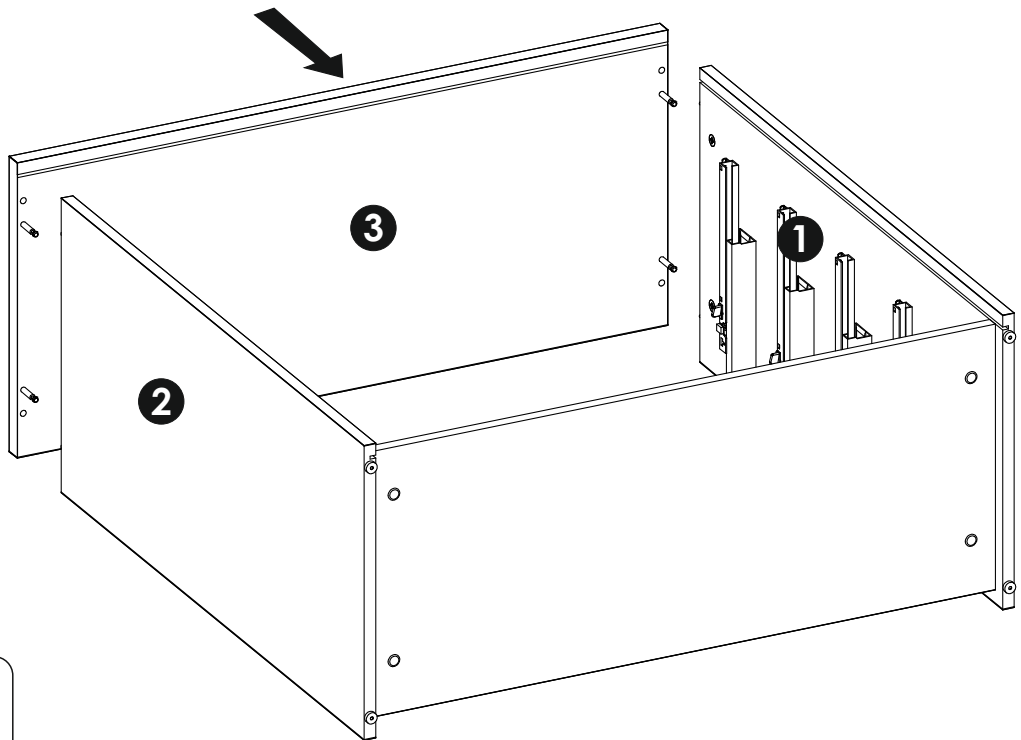
4 ▶



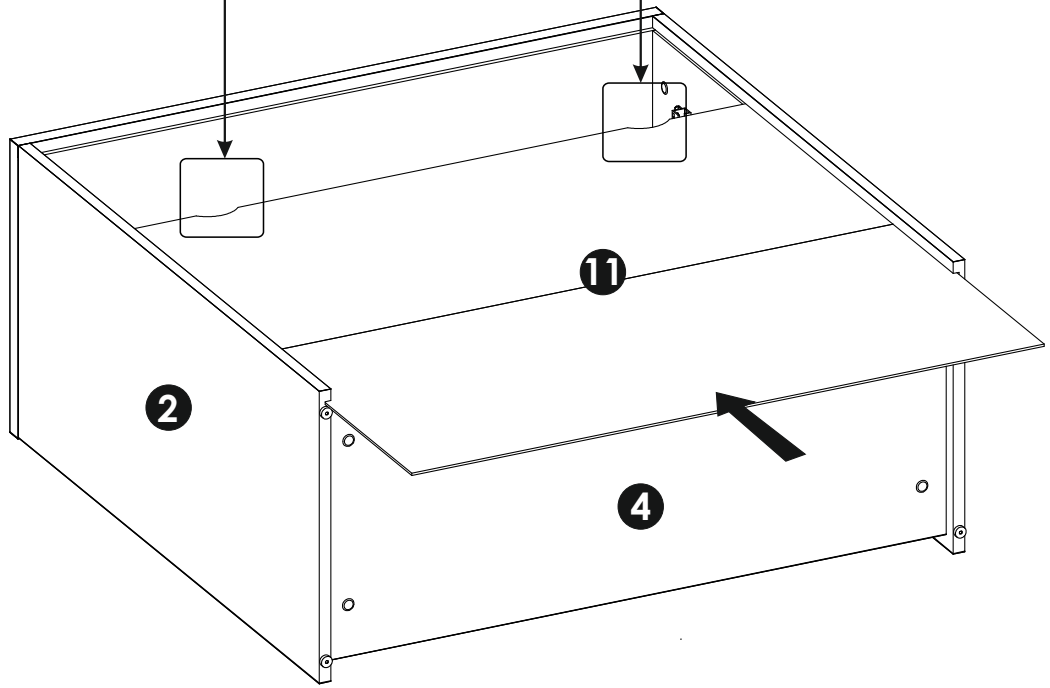
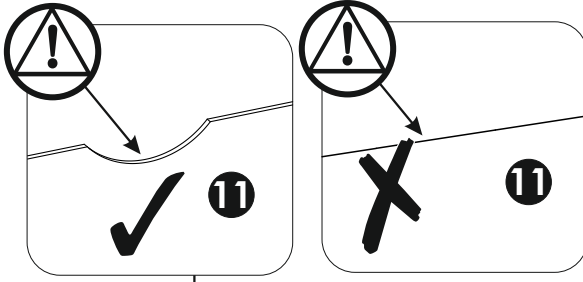
5 ▶



6 ▶

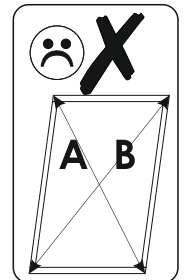
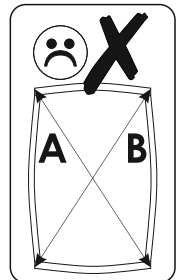
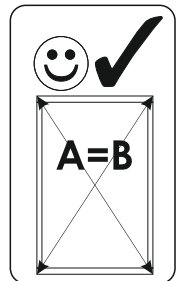
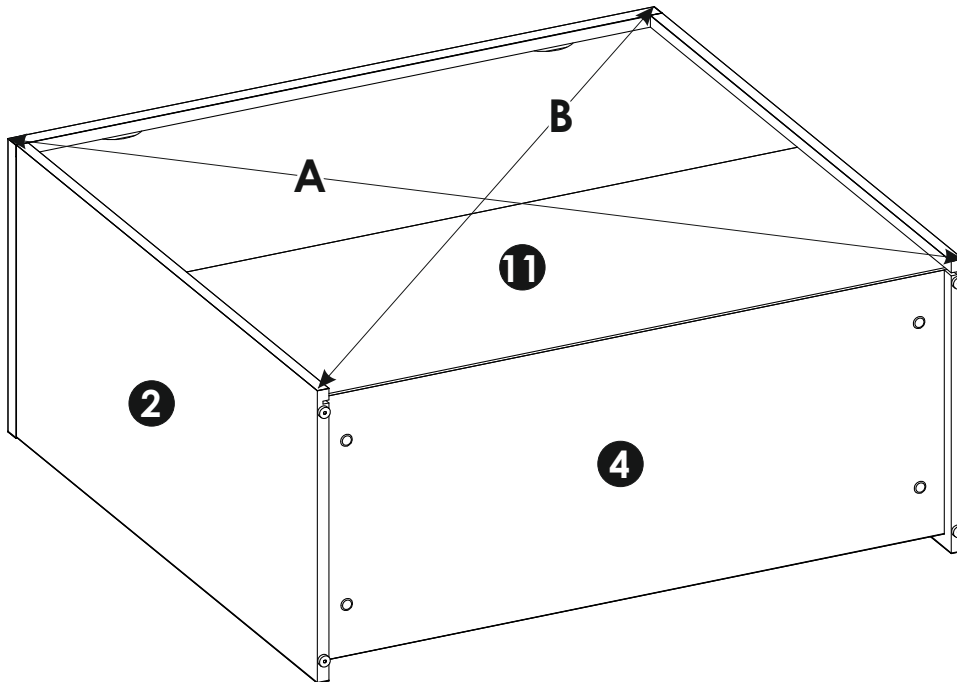


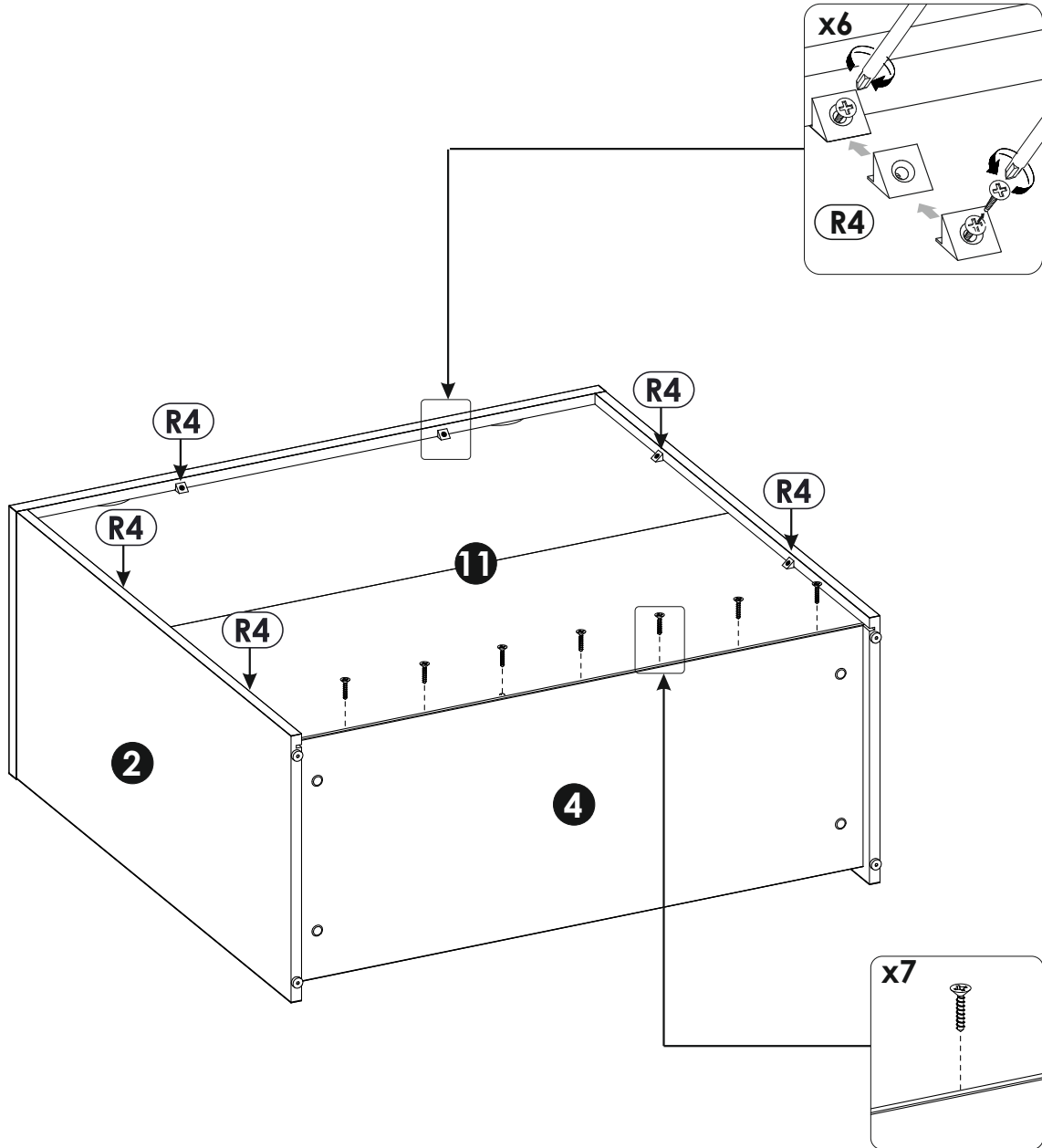
7 ▶

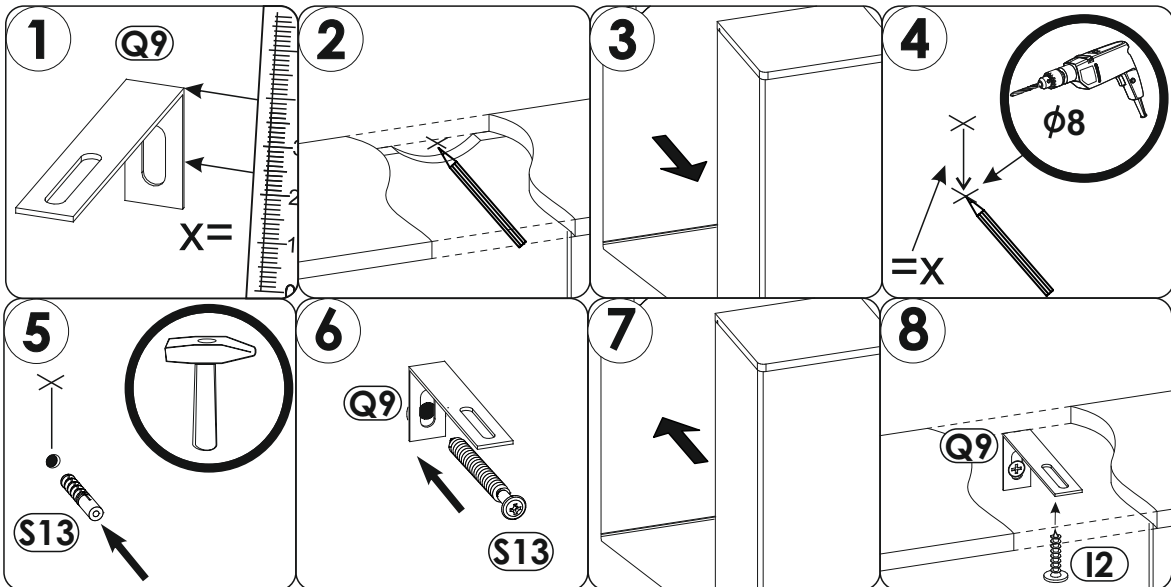
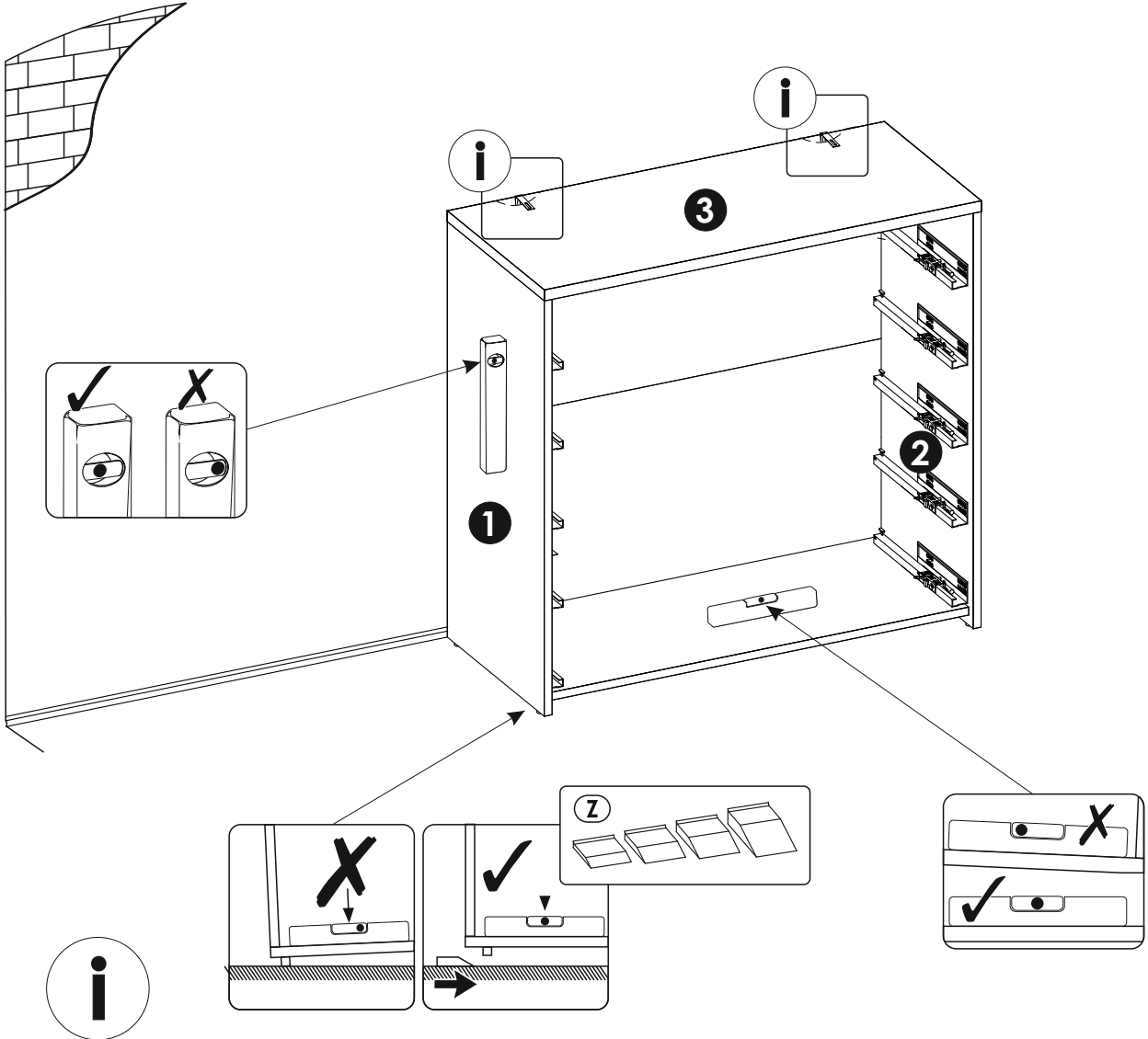
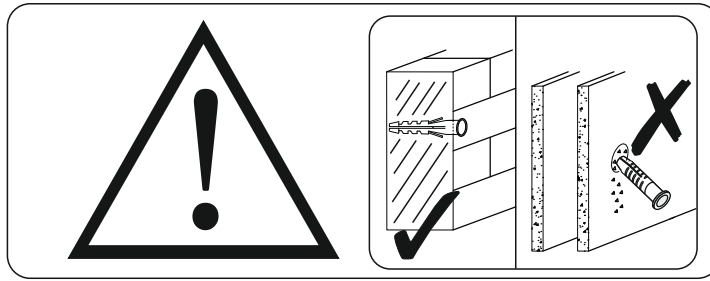


8 ▶

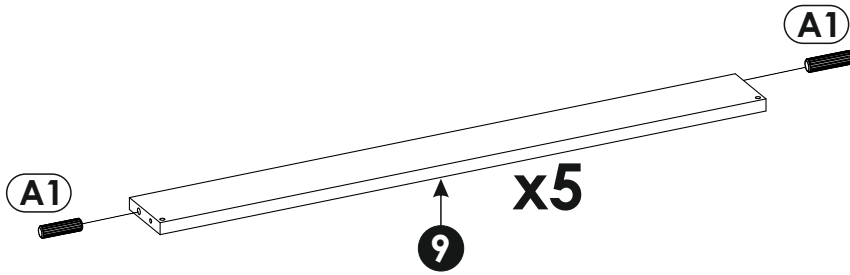
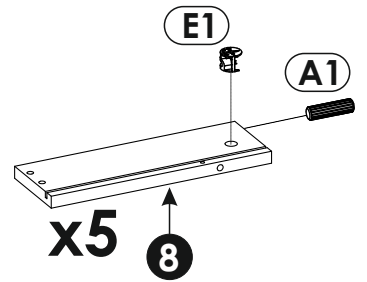
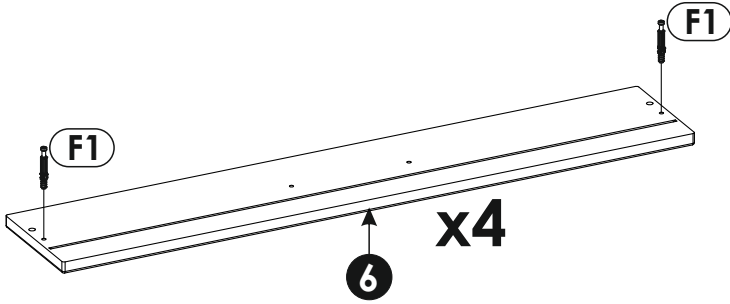
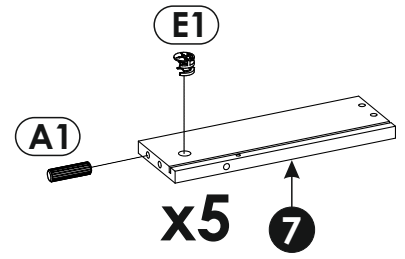
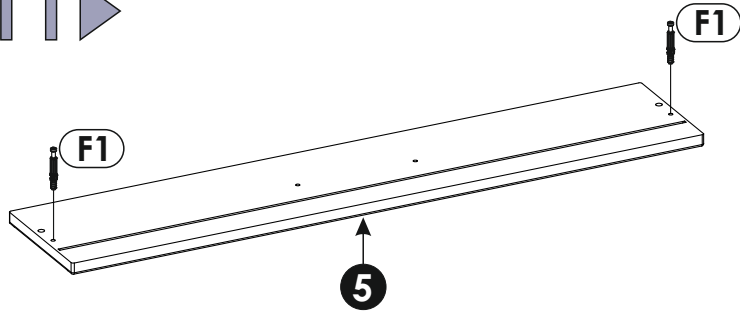
A=B



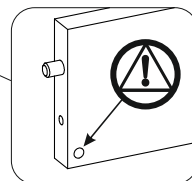
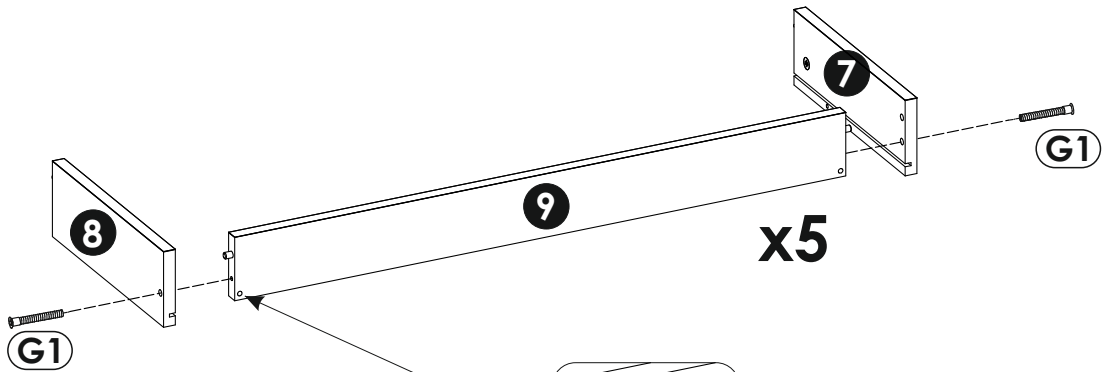
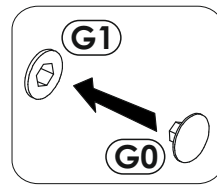
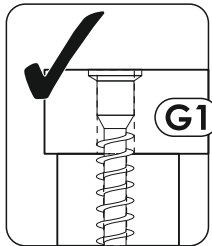
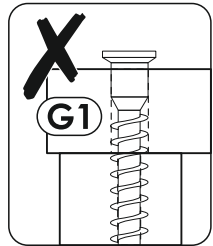
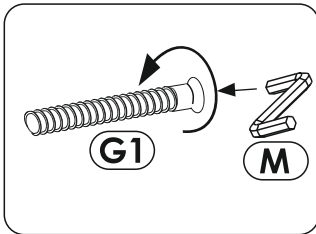




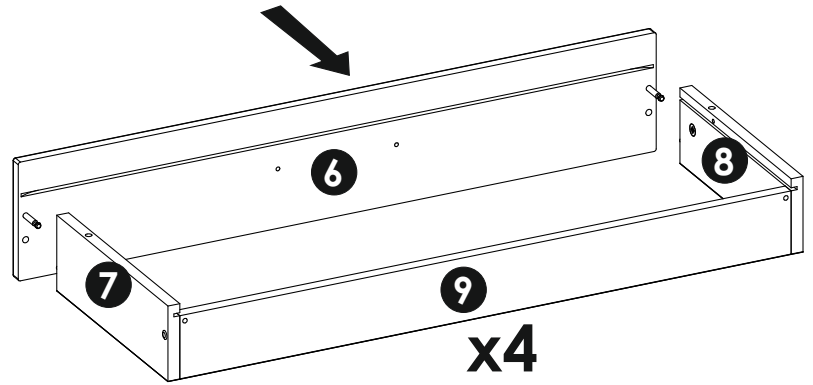
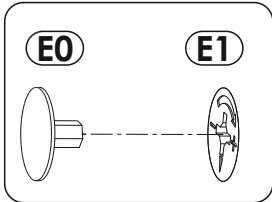
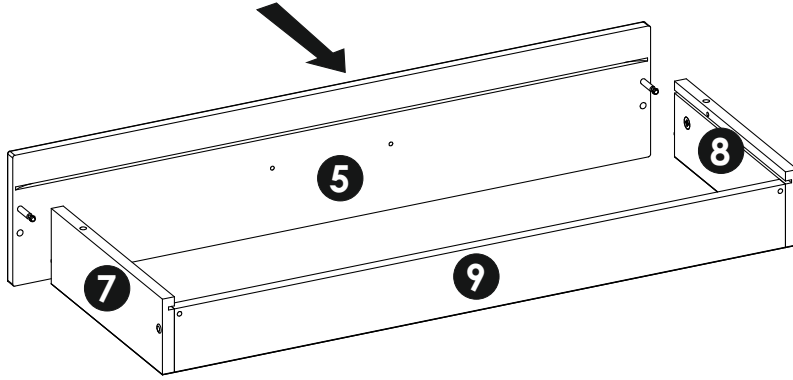
11 ▶



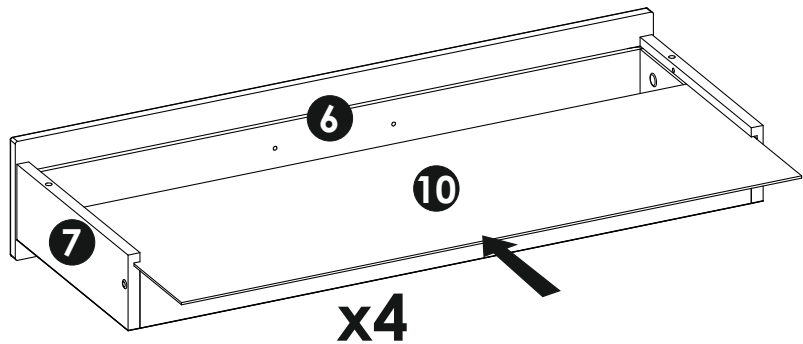
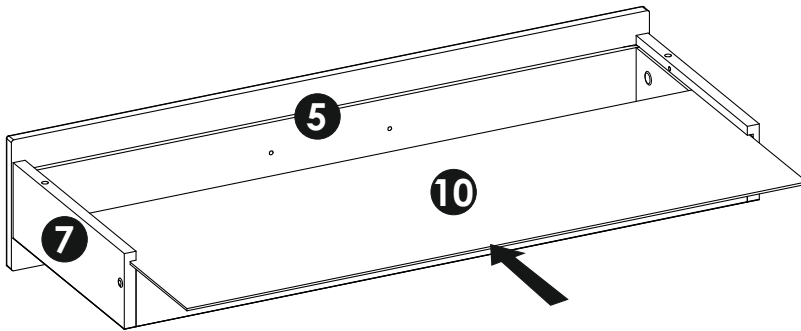
12 ▶



13▶

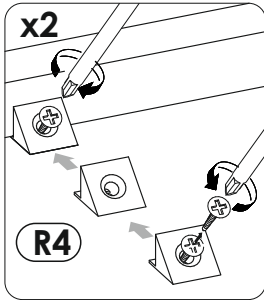
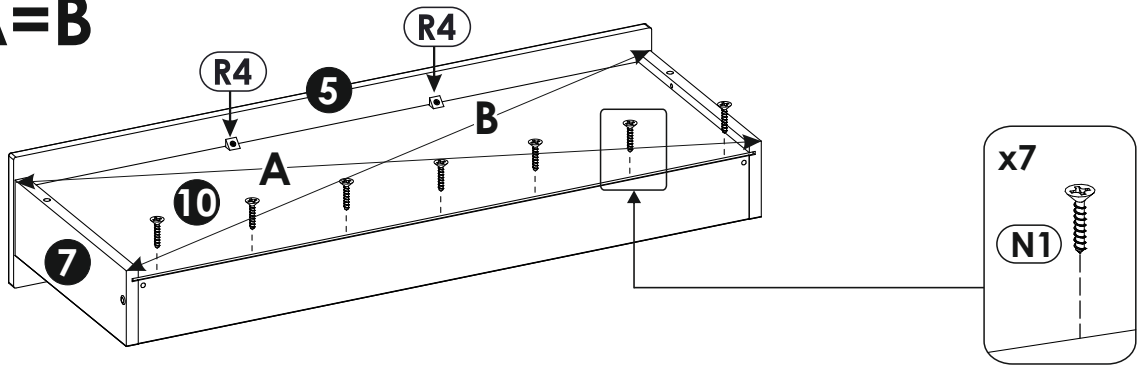


14▶

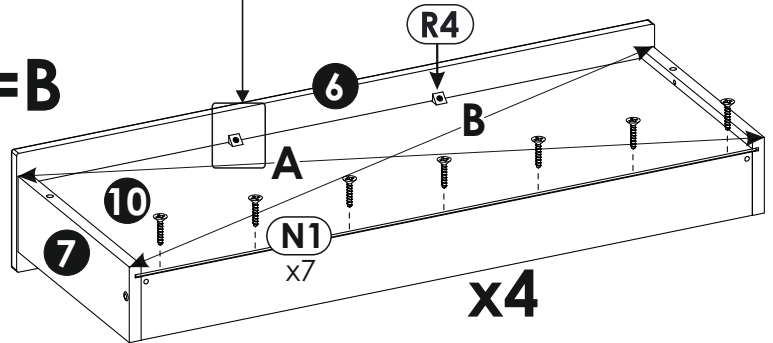


15 ▶

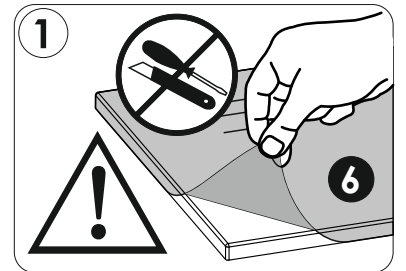
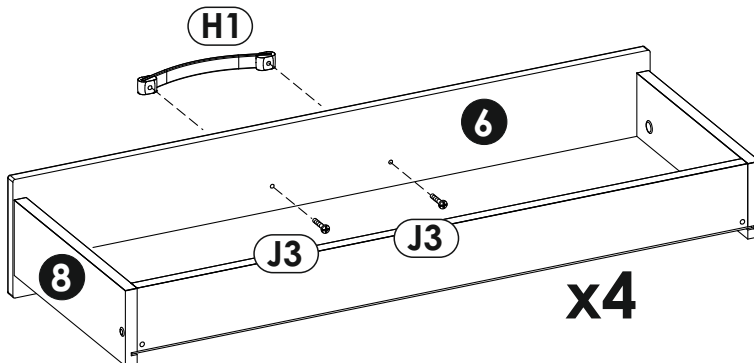
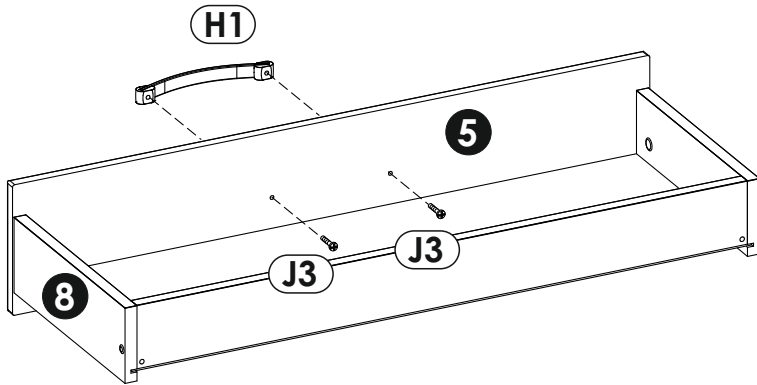
A=B

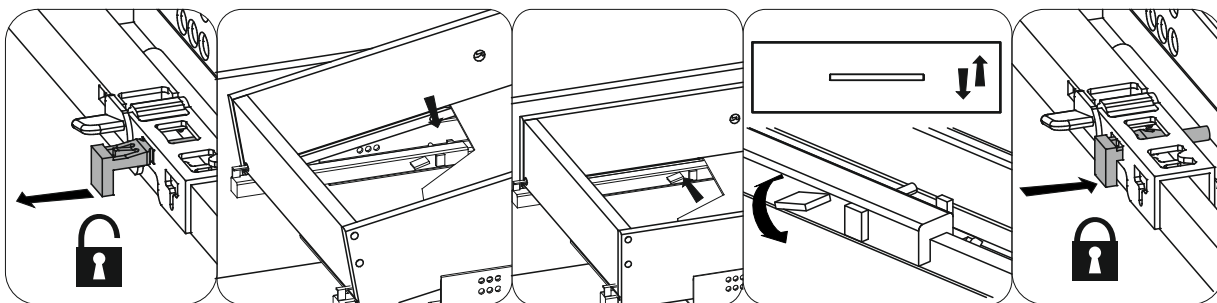


A=B



16 ▶





 max.
10 kg

 max.
3 kg

