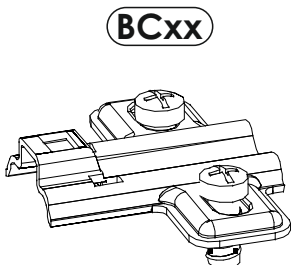
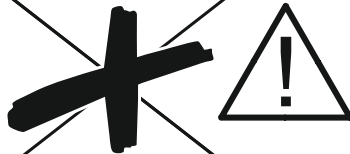
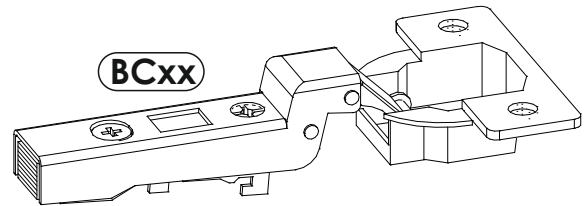
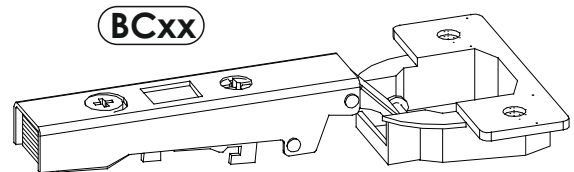


OK



OK



MM

260

250

240

230

220

210

200

190

180

170

160

150

140

130

120

110

100

90

80

70

60

50


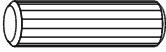
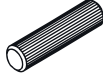
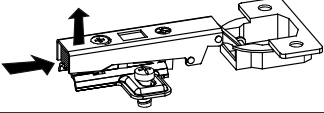
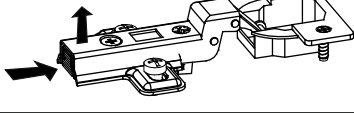


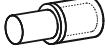



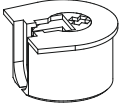

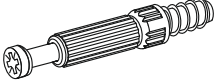
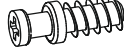
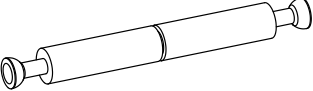





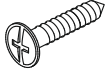
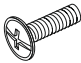
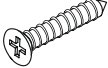
40

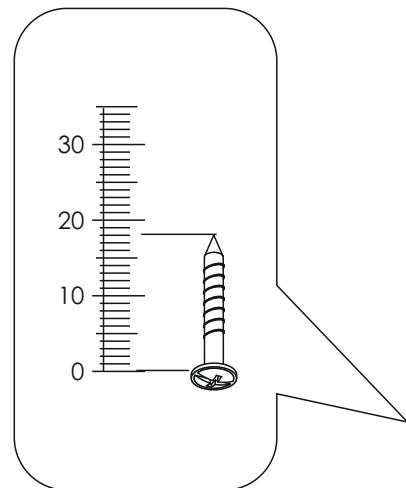
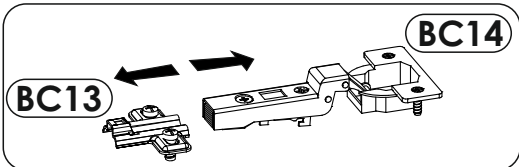
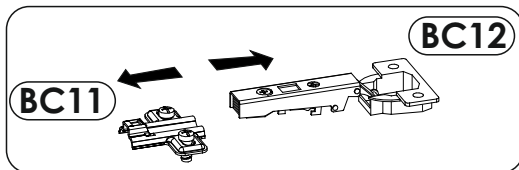
30

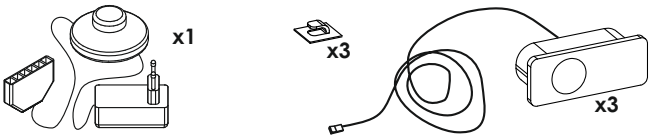
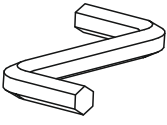
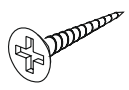
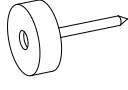
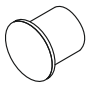
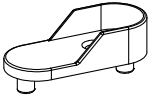

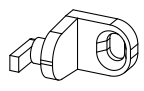
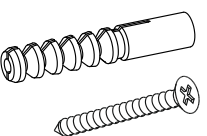
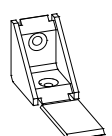
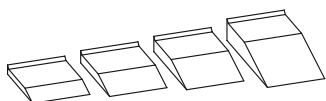
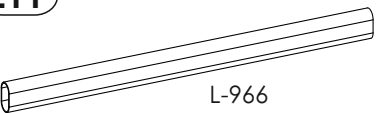
20

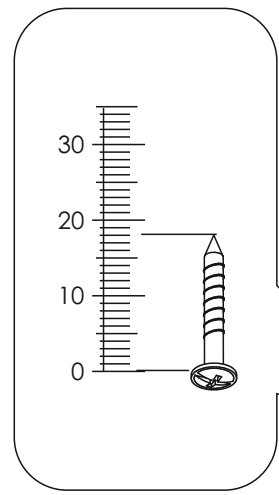
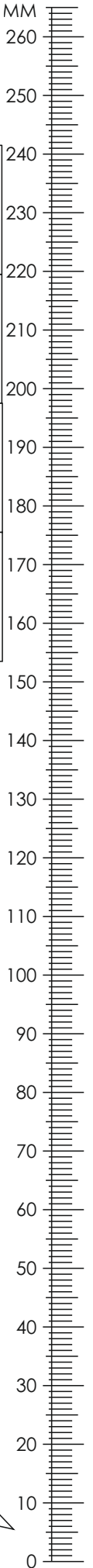
10

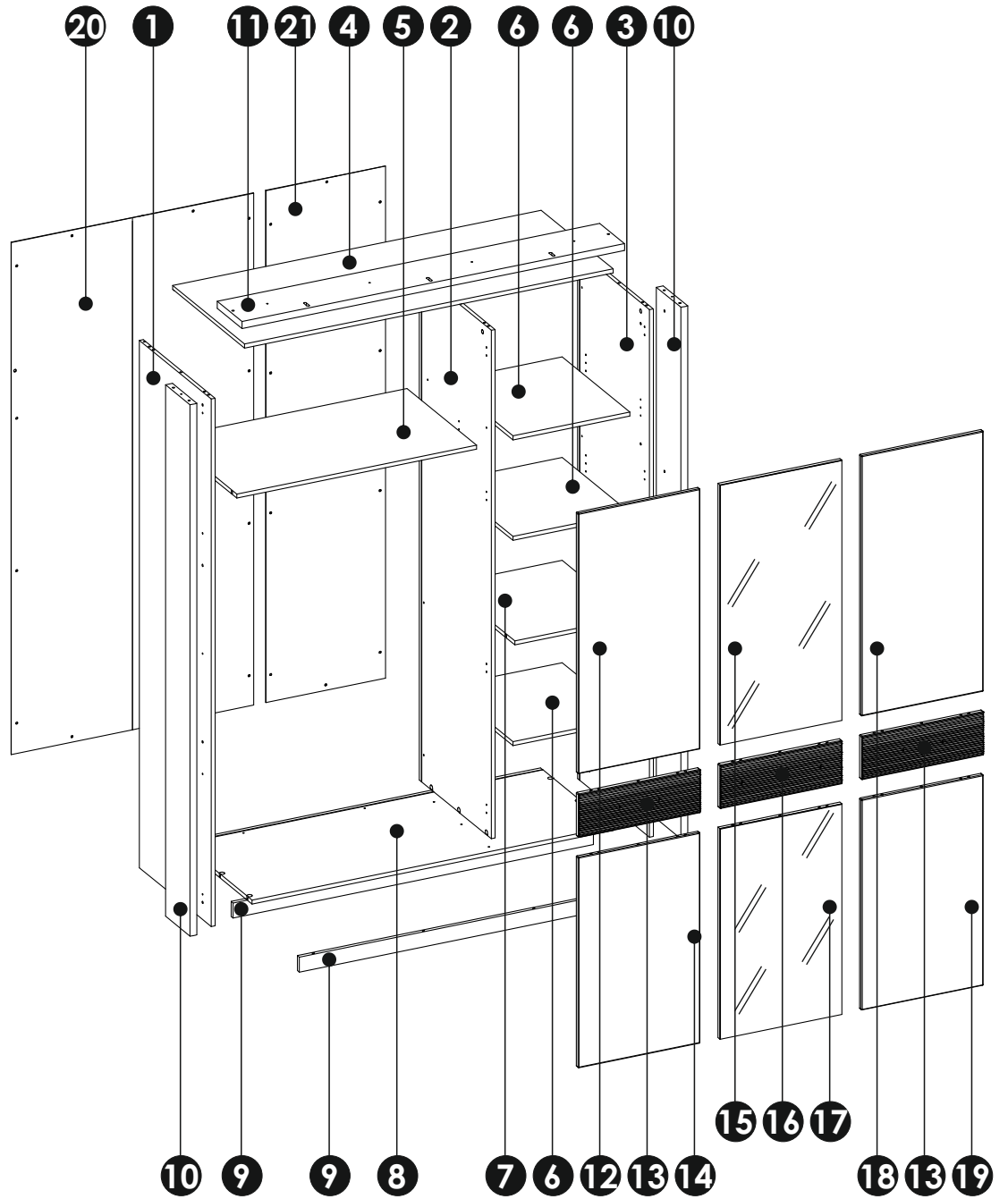
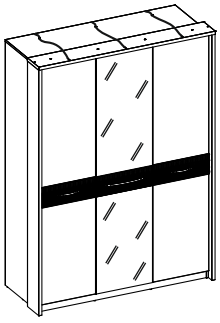
0

A0 ø8 x 24 mm x8 	A1 ø8 x 35 mm x21 	A2 8 x 45 mm x12 
BC11 + BC12 x8 	BC13 + BC14 x4 	C1 4 x 13 mm x24 
C8 6,3 x 13 mm x22 	D2 x12 	E0a x36 
E0b x6 	E1 15 x 12 mm x42 	E4 x17 
E14 x12 	F1 6 x 34 mm x6 	F2 x17 
F8 φ7 x 58 mm x18 	G0 x2 	G2 φ7 x 60 mm x2 
H1 L-197 mm x2 	H2 L-357 mm x1 	I2 4 x 16 mm x2 
I6 4 x 40 mm x4 	J3 4 x 22 mm x6 	J8 4 x 40 mm x10 



L10  x1 x3 x3	M  x1	
N2 3,5 X 16 mm  x18	O2  x10	P0a  $\varnothing 5$ x2
P44  x2	Q9  x2	R24  x22
S13  x2	W  x8	Z  x1
Z11  L-966 x1		

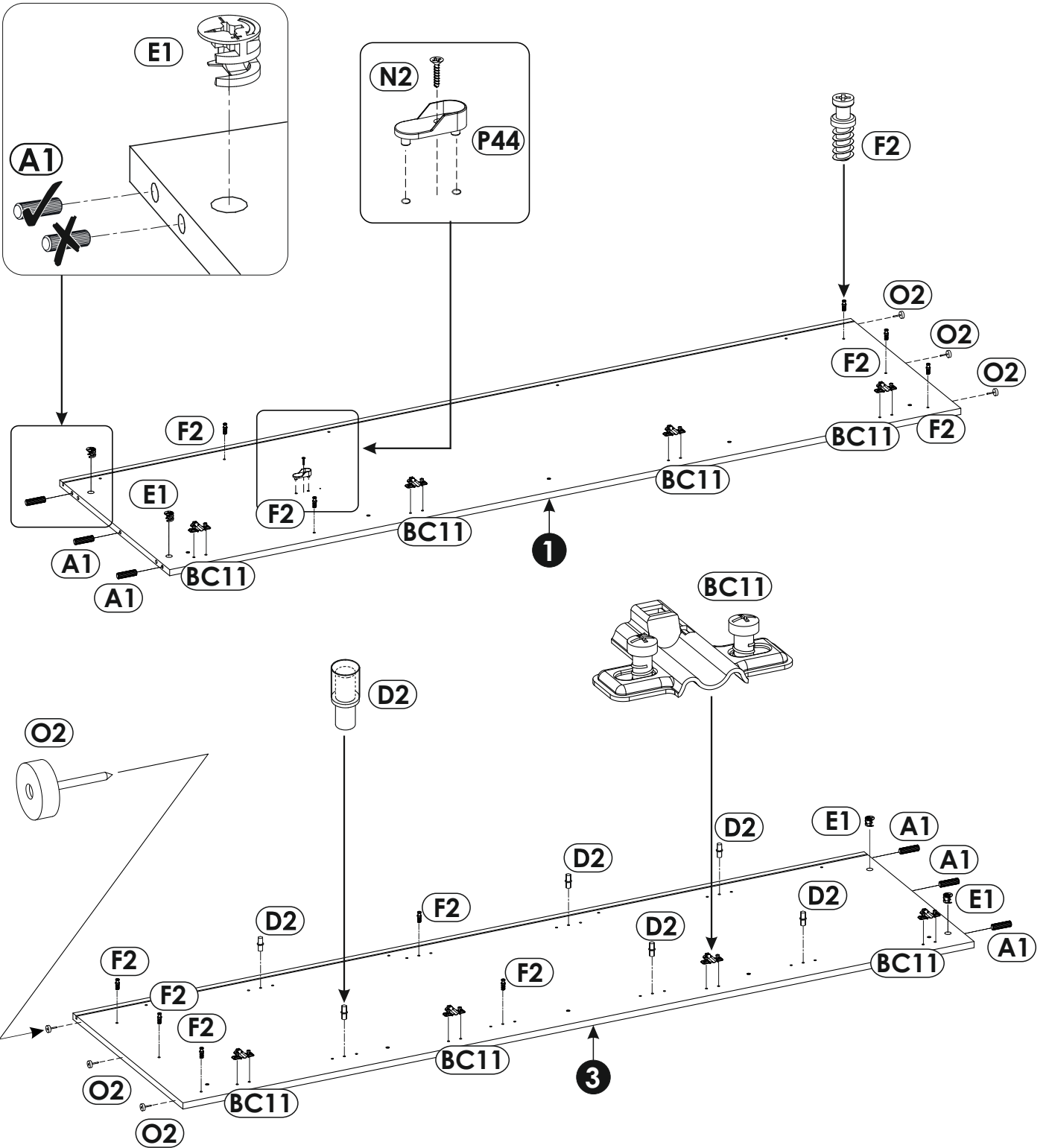
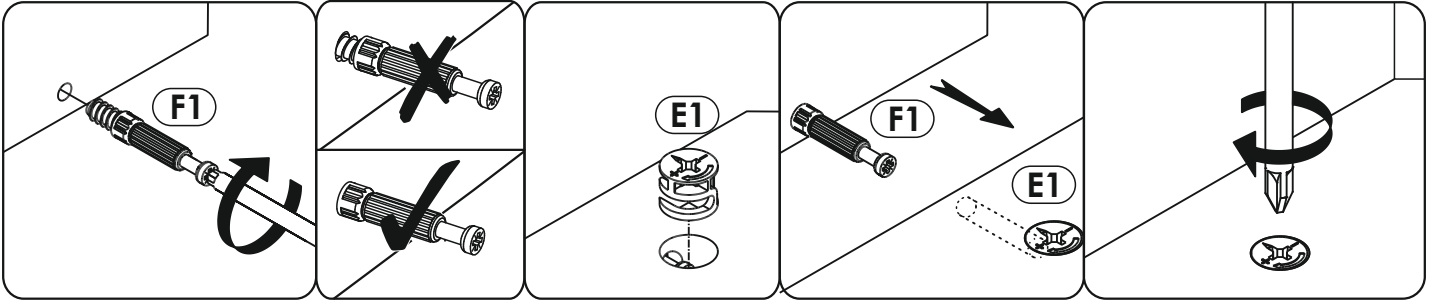




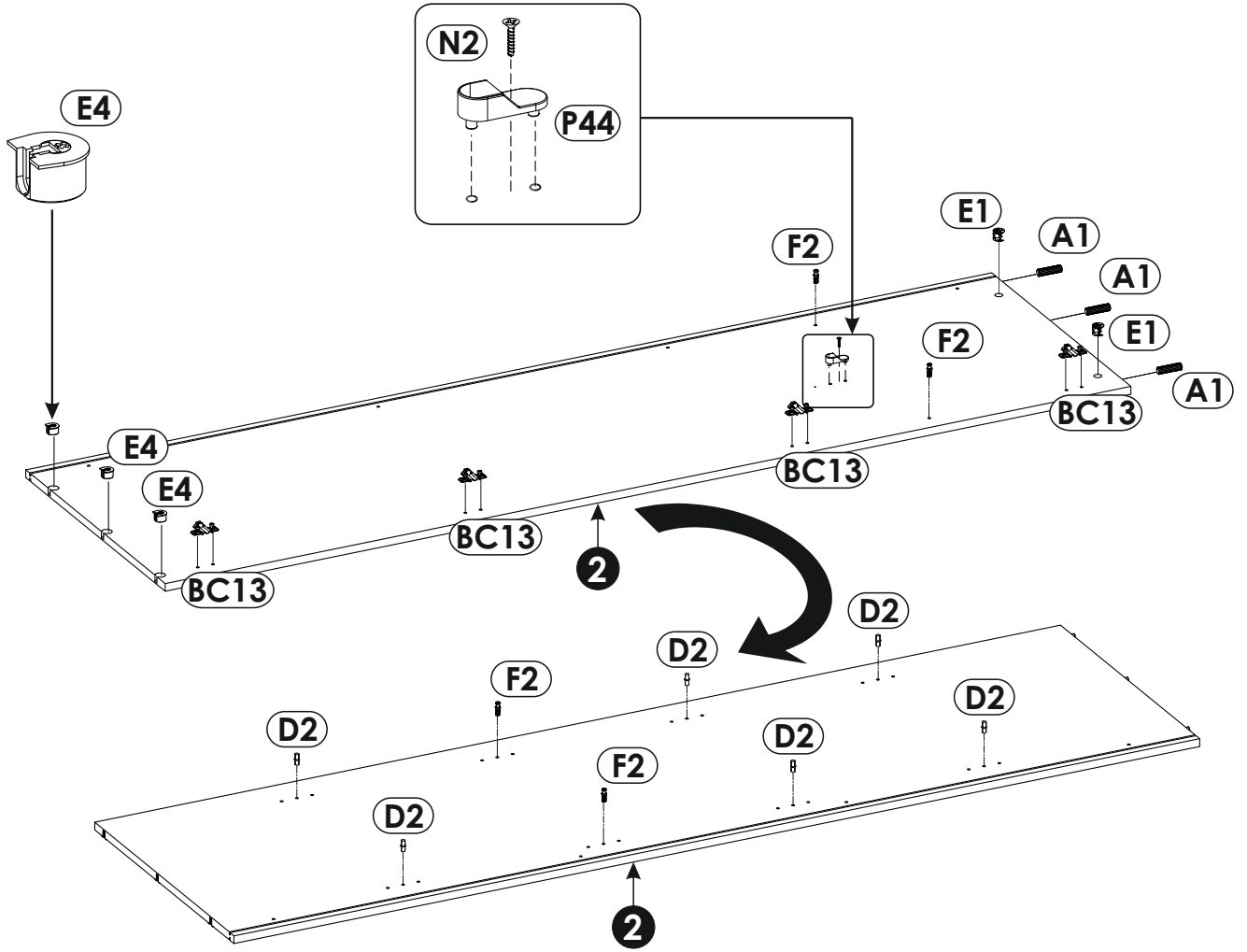
1	2104	585	16	x1	5/6
2	2028	585	16	x1	6/6
3	2104	585	16	x1	5/6
4	1499	585	16	x1	4/6
5	975	565	16	x1	1/6
6	475	550	16	x3	1/6
7	475	565	16	x1	1/6

8	1466	585	16	x1	4/6
9	1466	60	16	x2	4/6
10	2120	200	28	x2	6/6
11	1556	203	28	x1	4/6
12	496	1038	16	x1	3/6
13	496	173	19	x2	1/6
14	496	840	16	x1	2/6

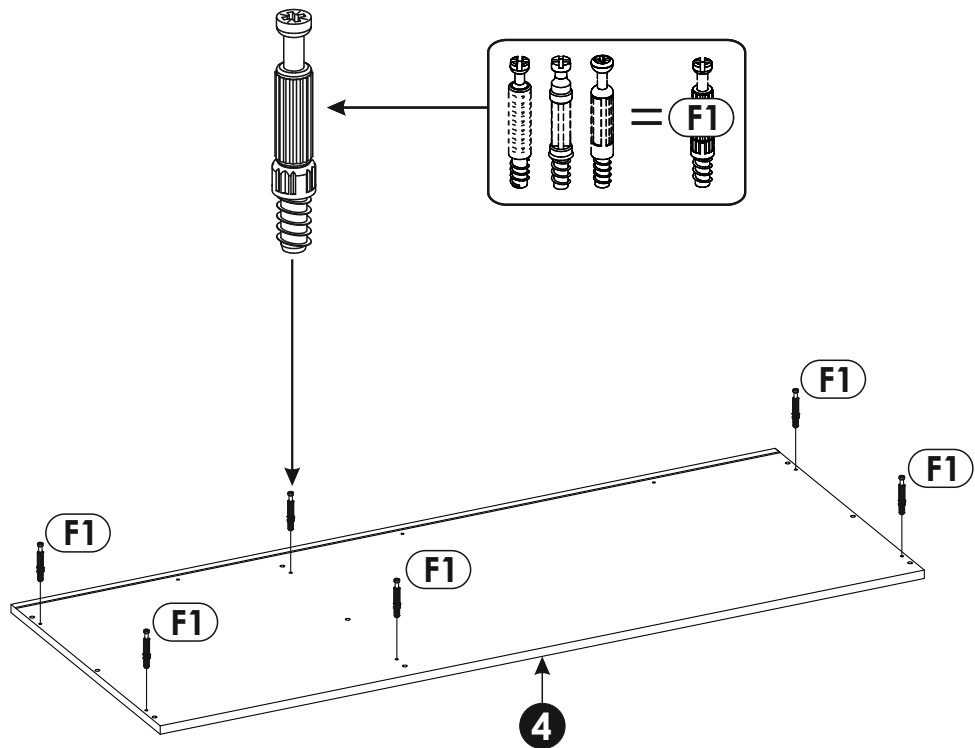
15	496	1038	20	x1	3/6
16	496	173	19	x1	1/6
17	496	840	20	x1	2/6
18	496	1038	16	x1	3/6
19	496	840	16	x1	2/6
20	2042	982	3	x1	5/6
21	2042	483	3	x1	6/6



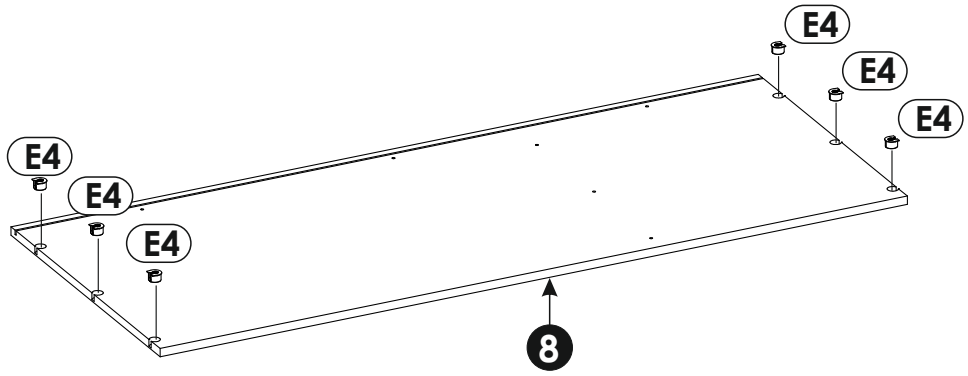
2 ▶



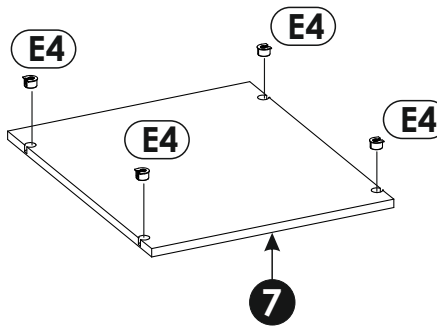
3 ▶



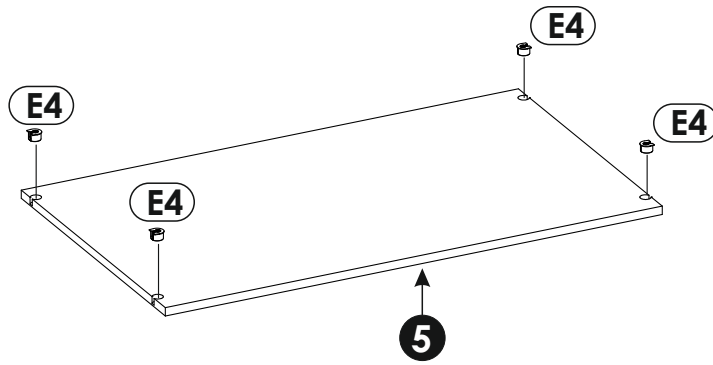
4 ▶



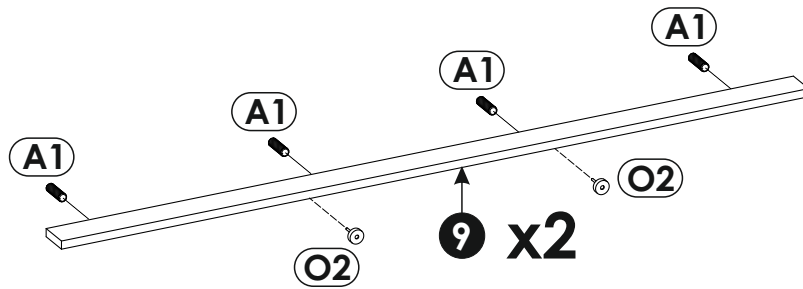
5 ▶



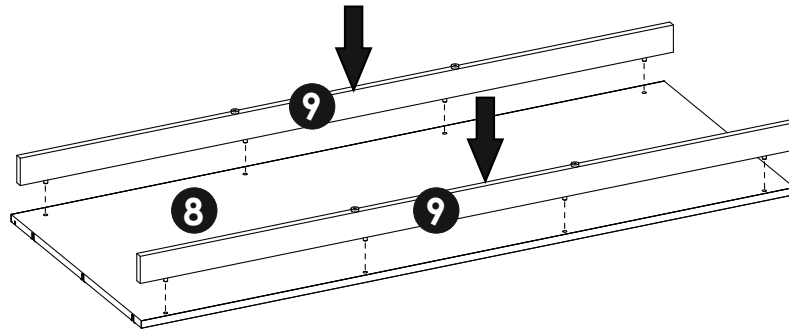
6 ▶



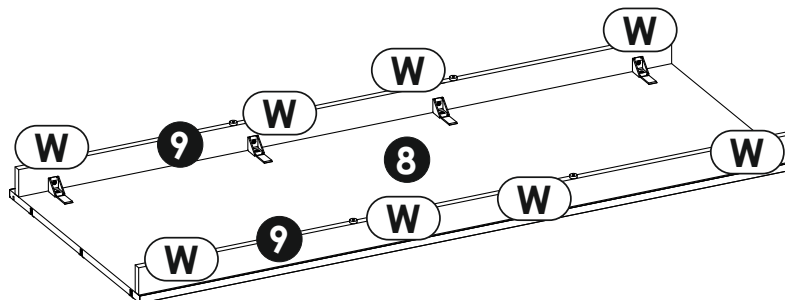
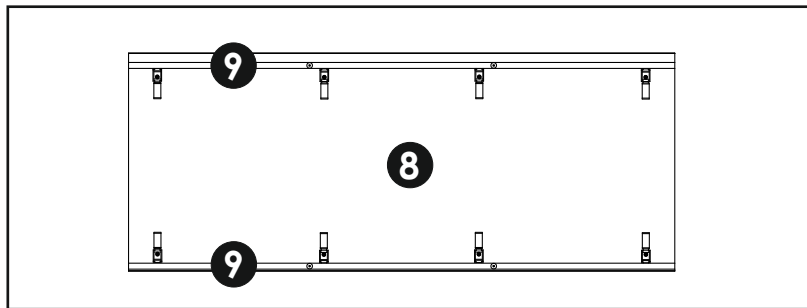
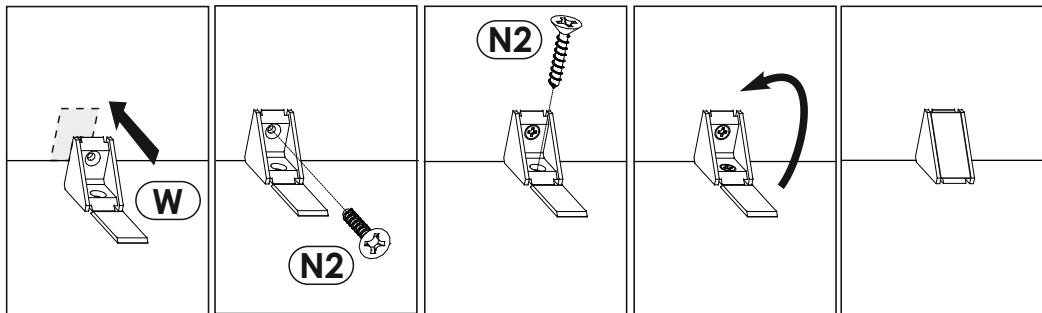
7 ▶



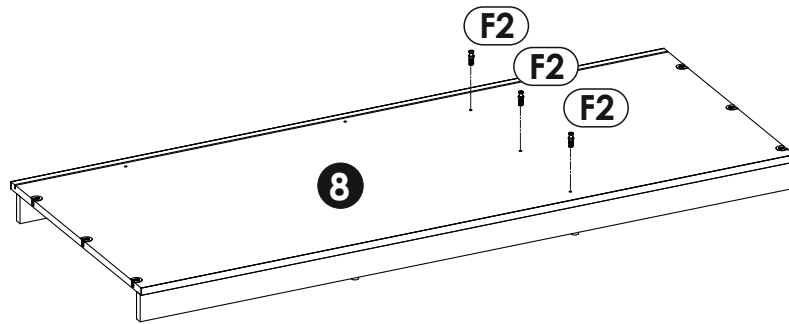
8 ▶



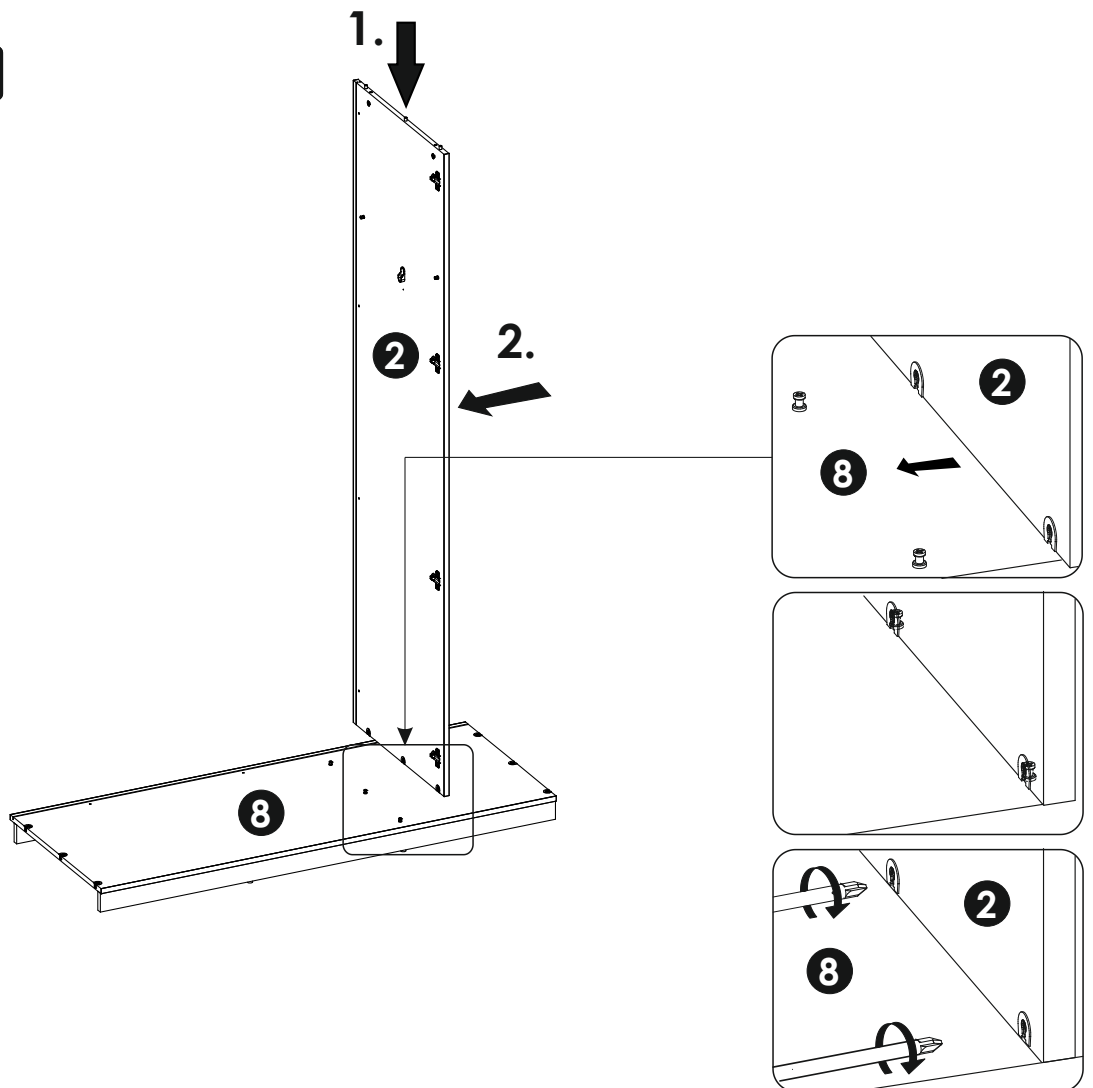
9 ▶



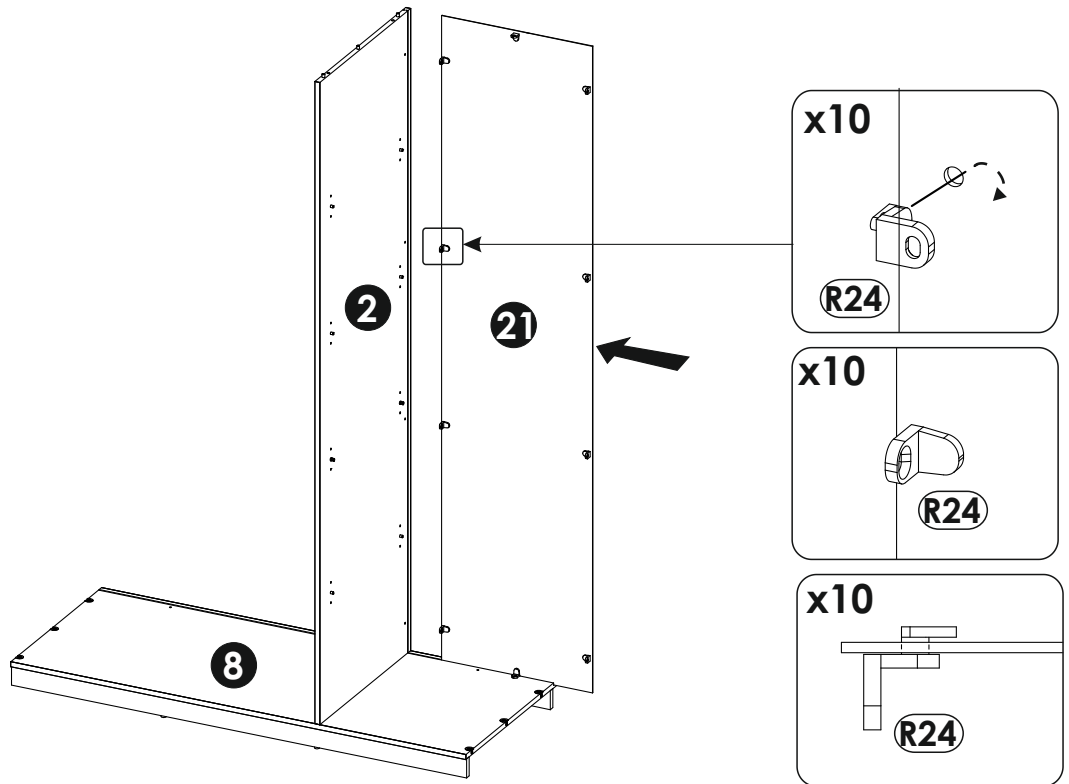
10 ▶



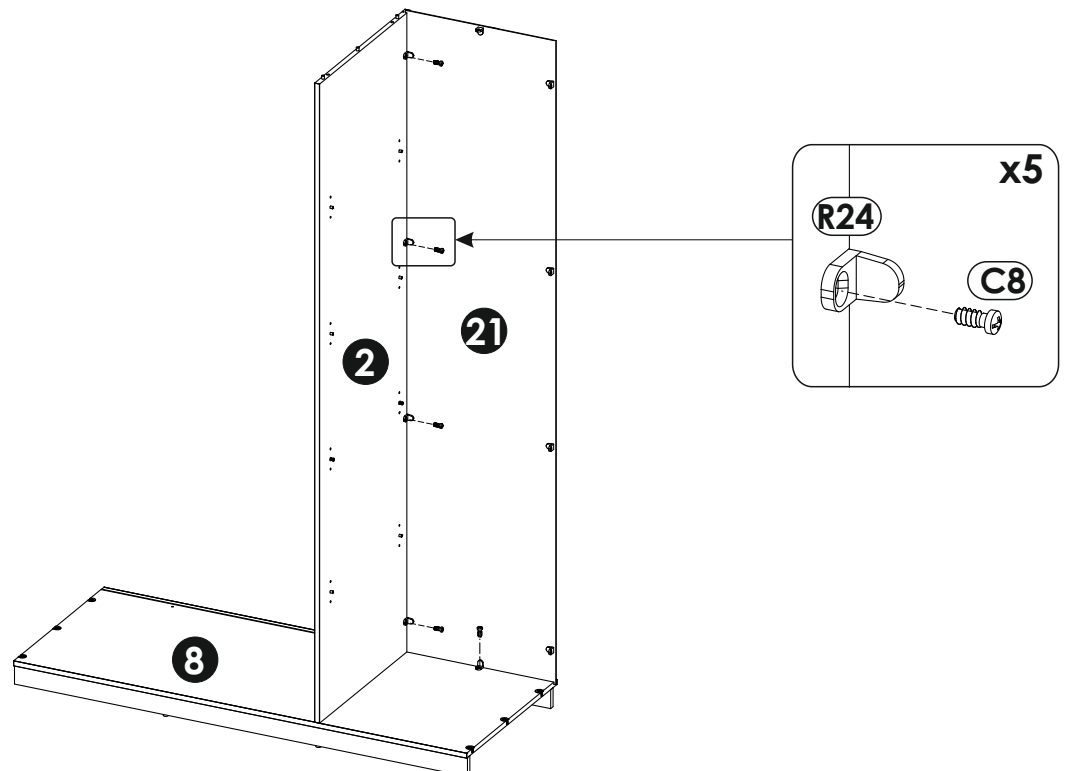
11 ▶



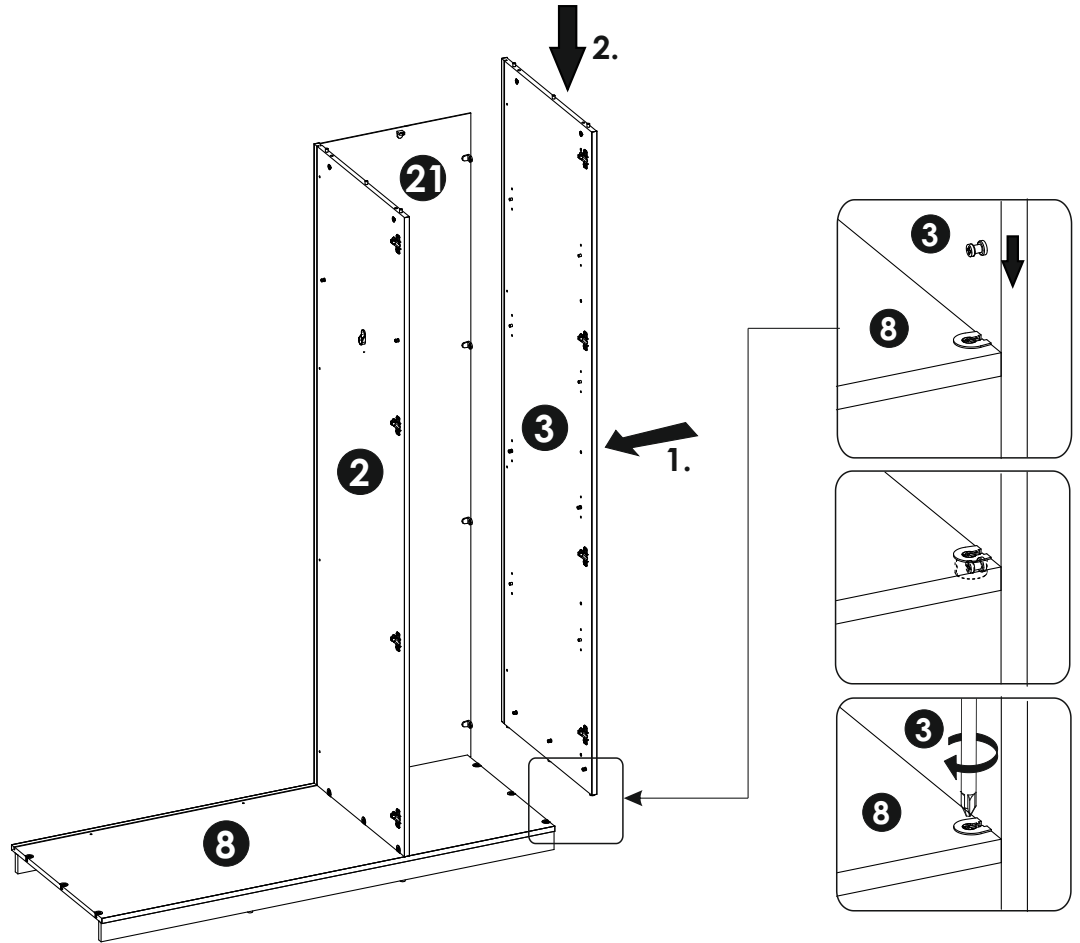
12▶



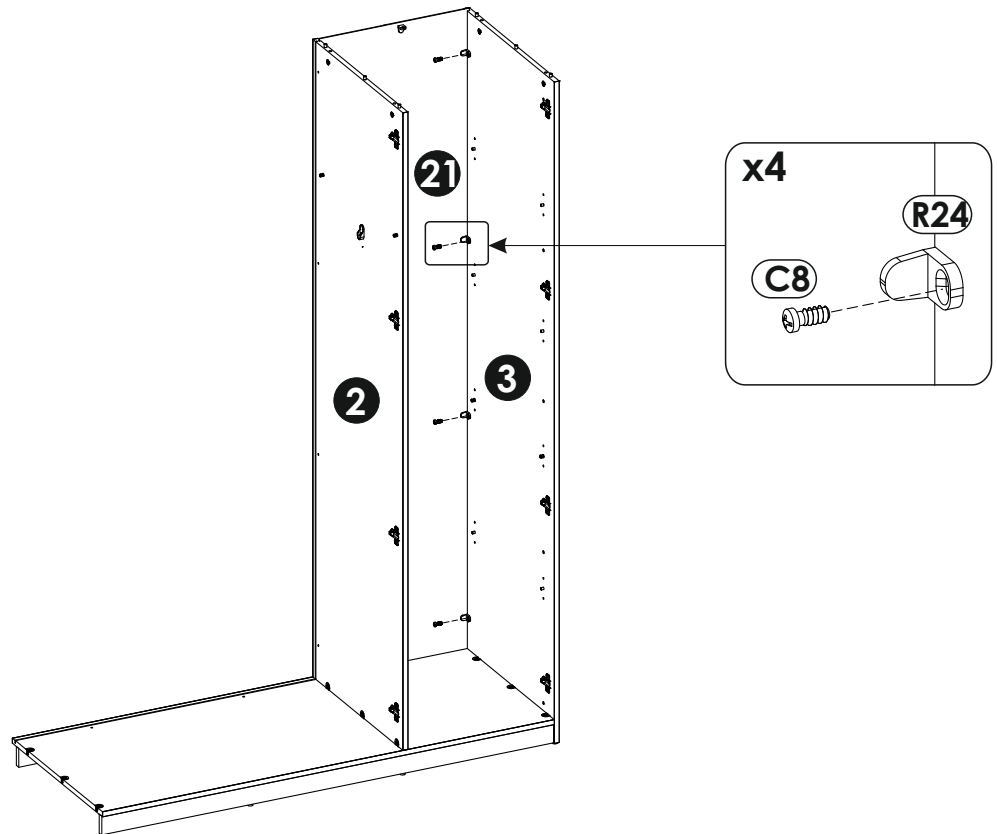
13▶



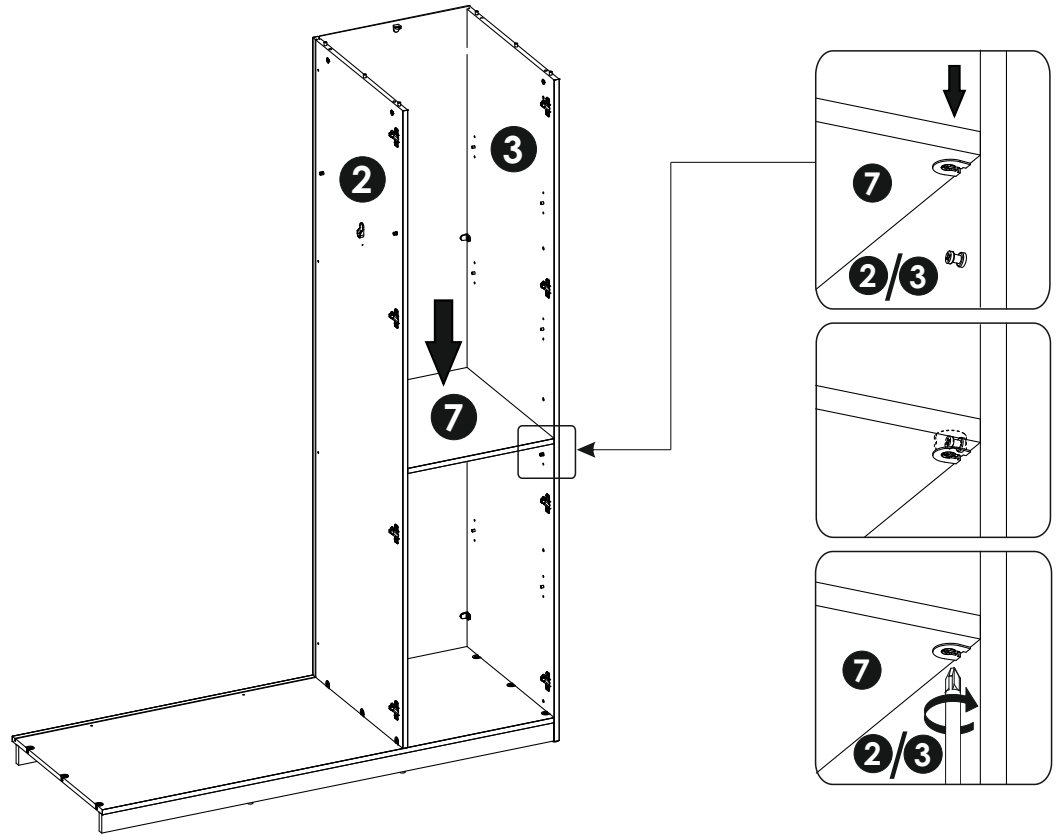
14 ▶



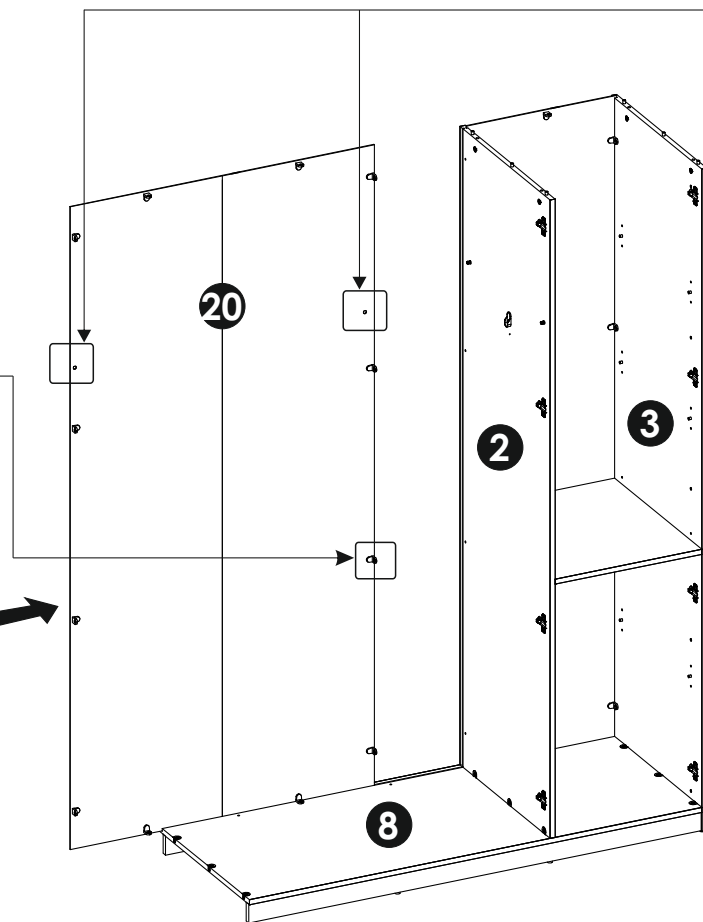
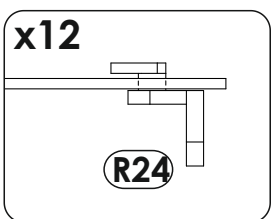
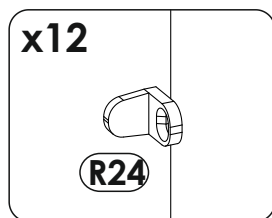
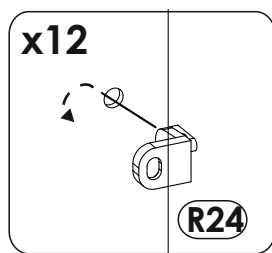
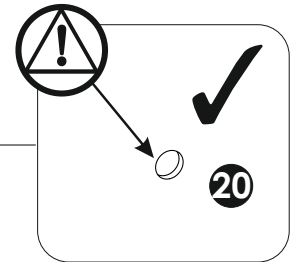
15 ▶



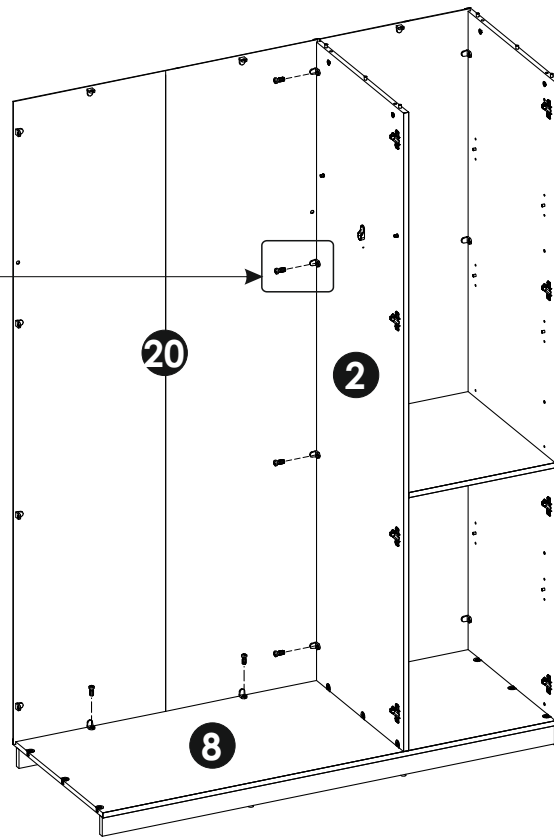
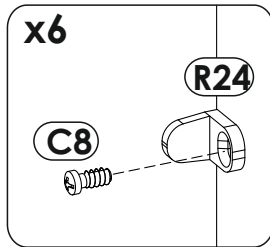
16 ▶



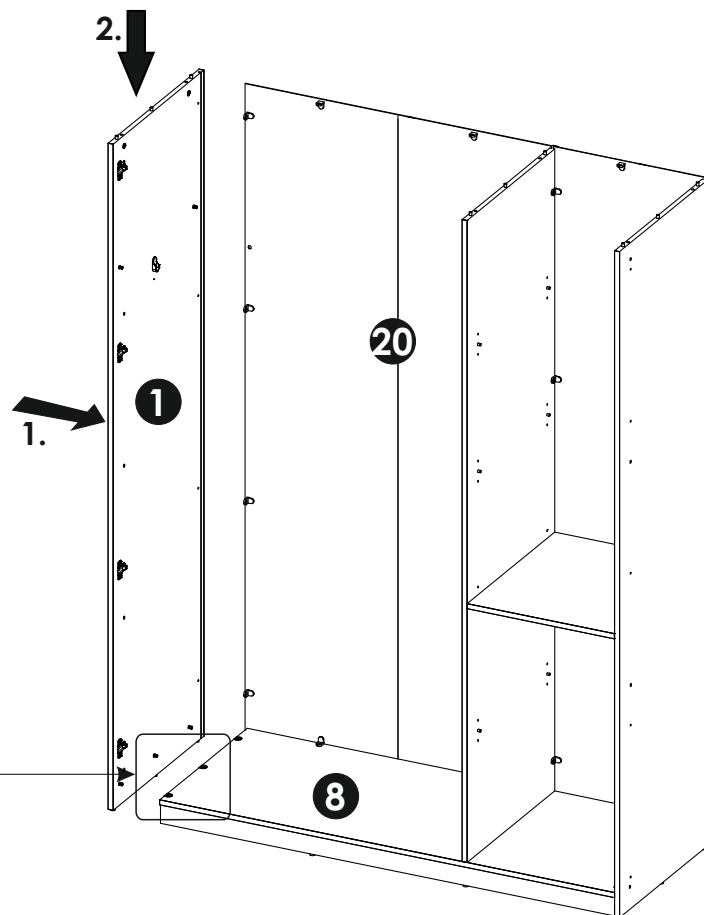
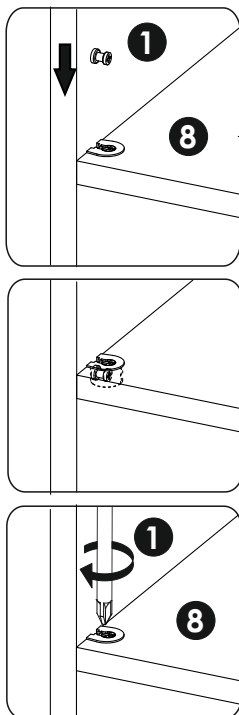
17 ▶



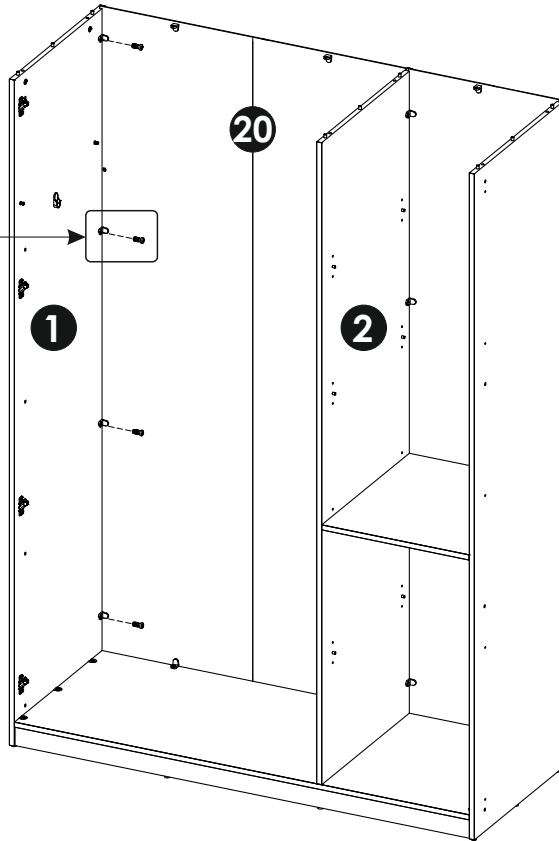
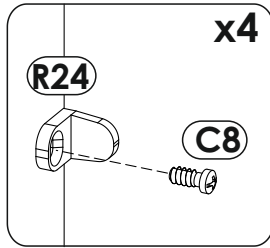
18 ▶



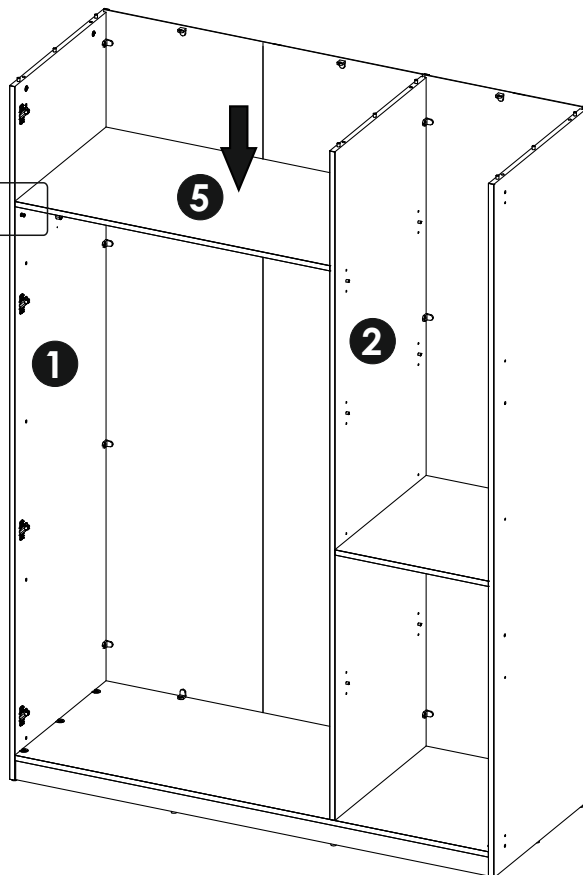
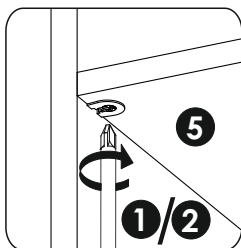
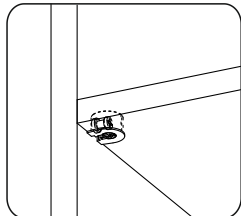
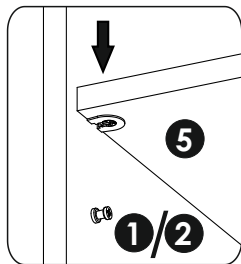
19 ▶



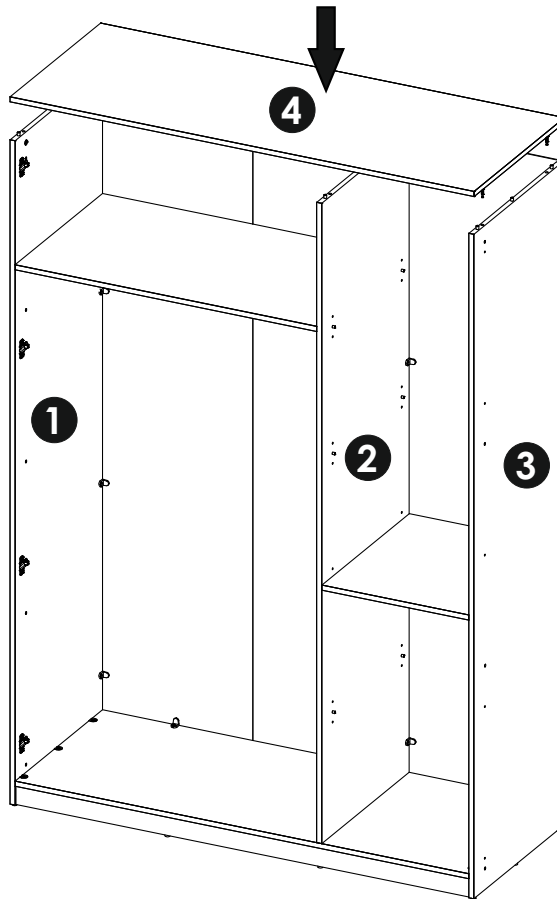
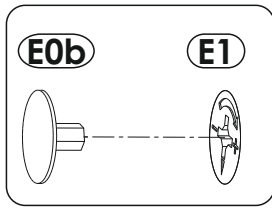
20 ▶



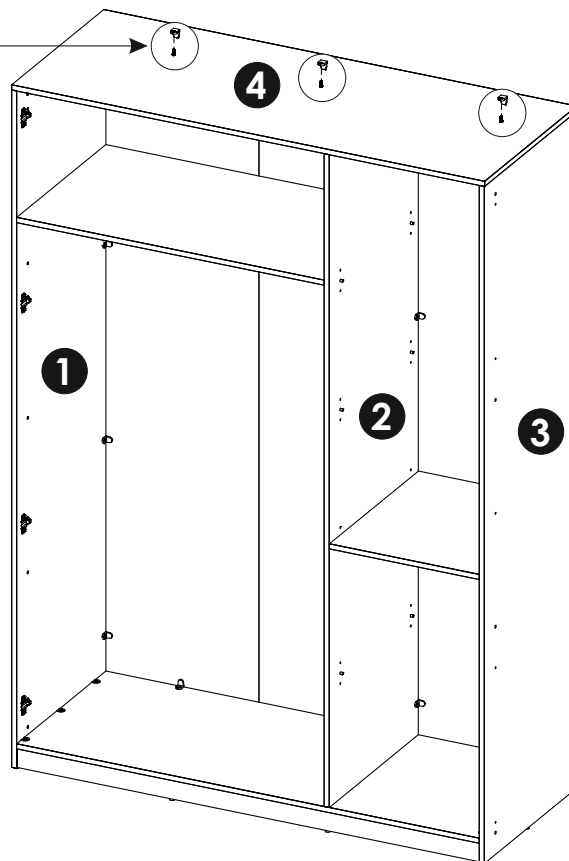
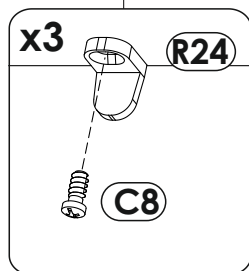
21 ▶



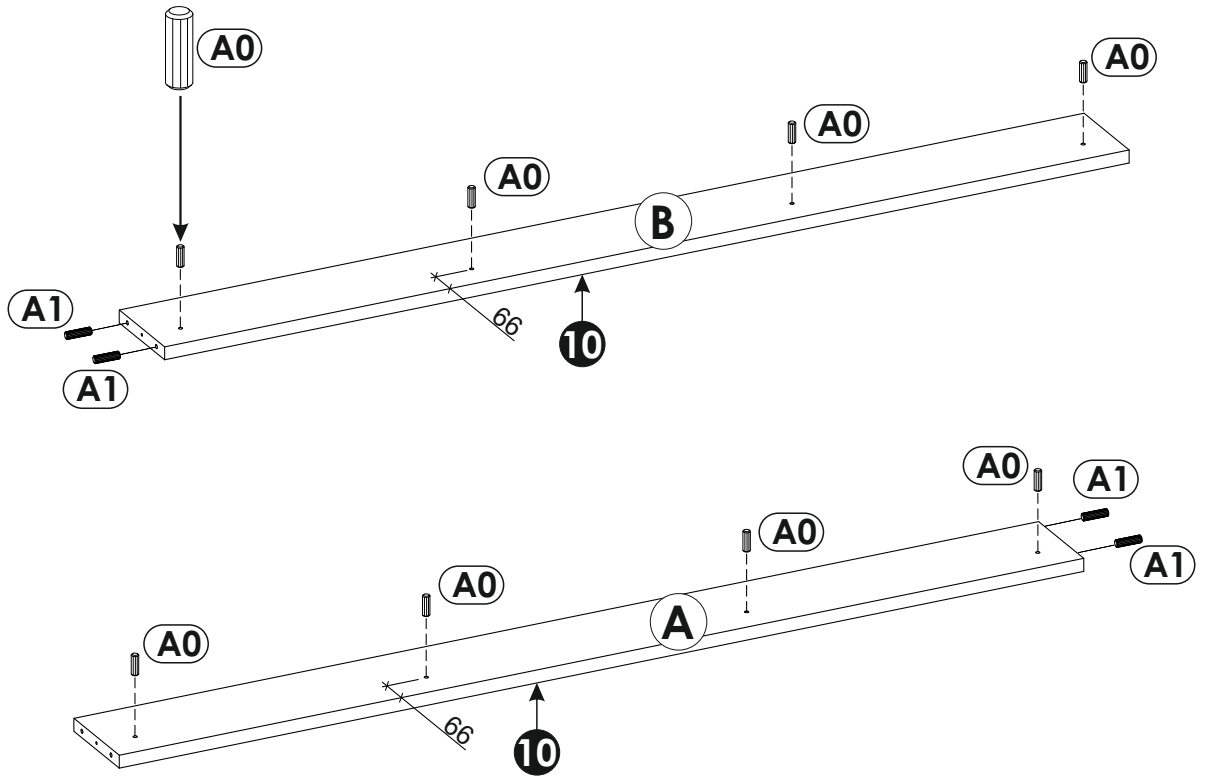
22 ▶



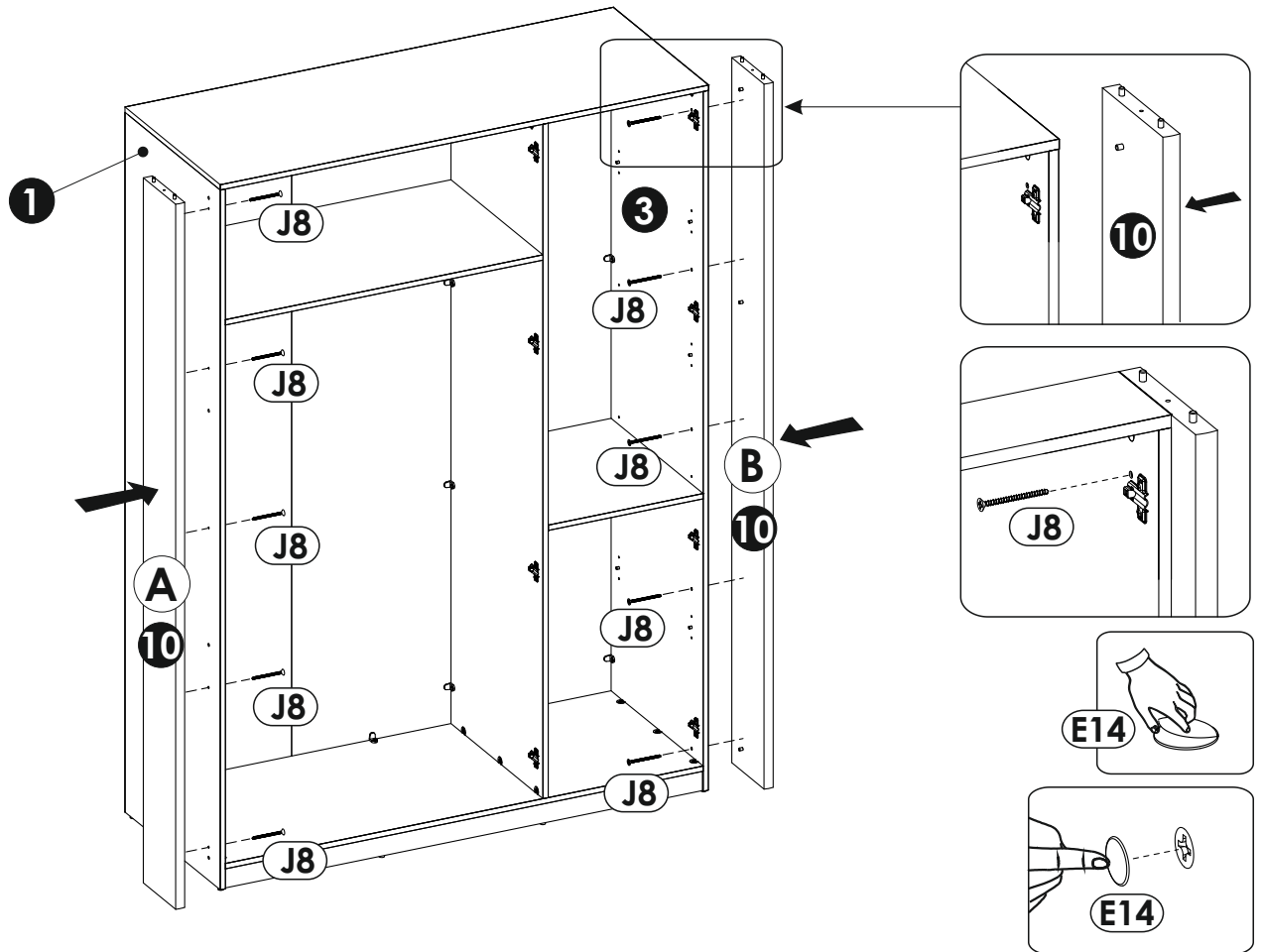
23 ▶



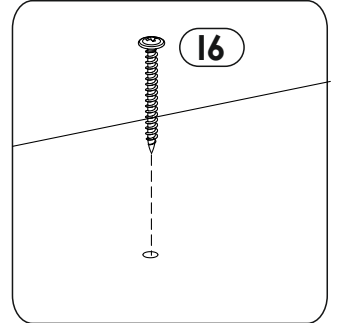
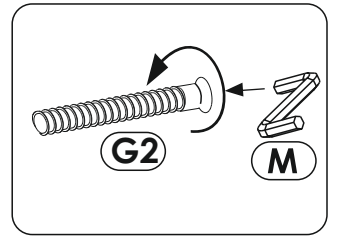
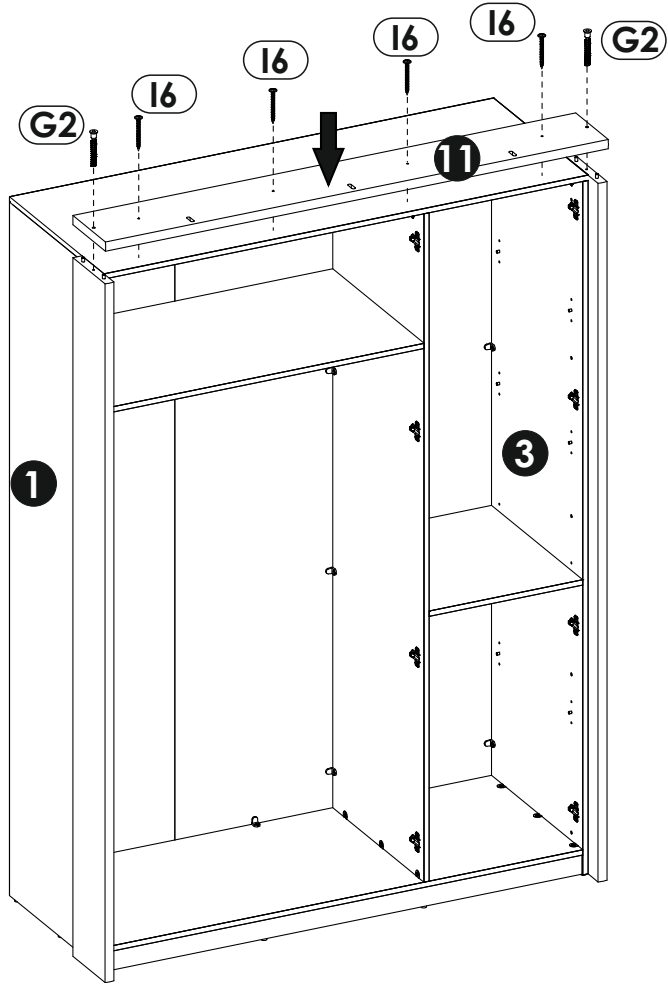
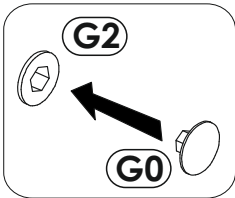
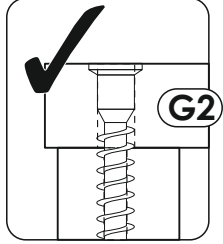
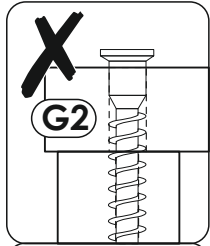
24▶



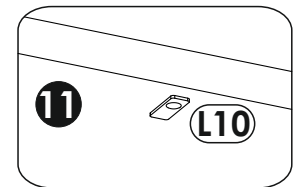
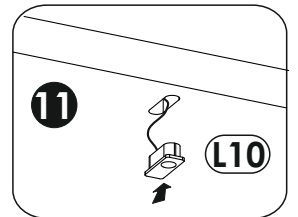
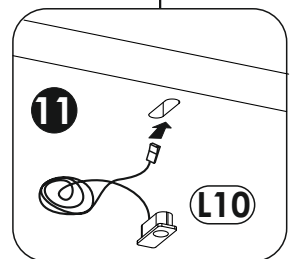
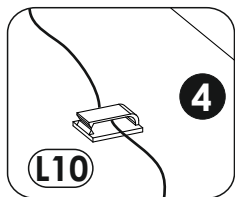
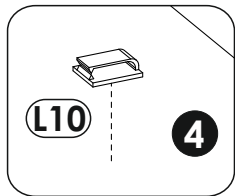
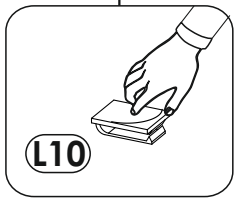
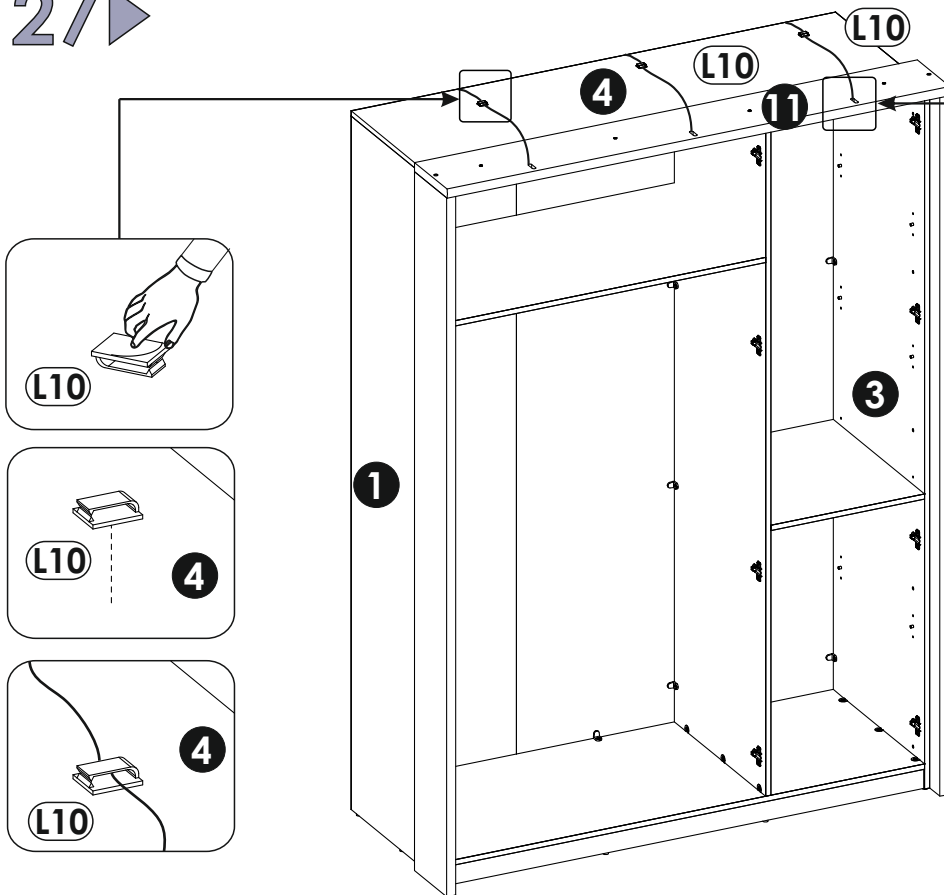
25▶

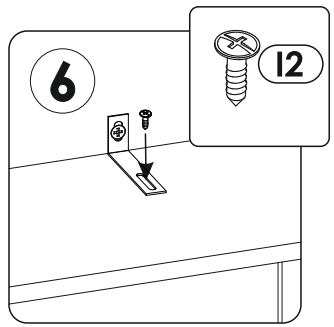
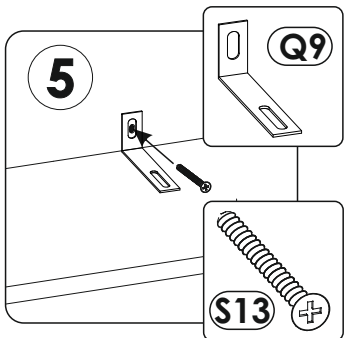
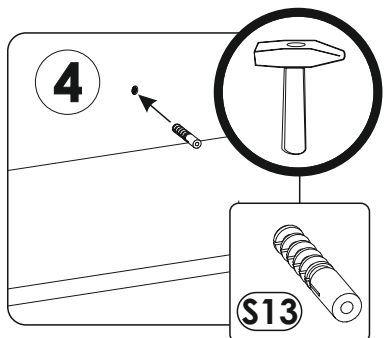
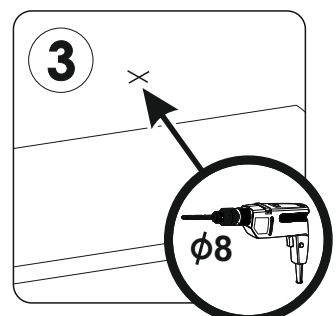
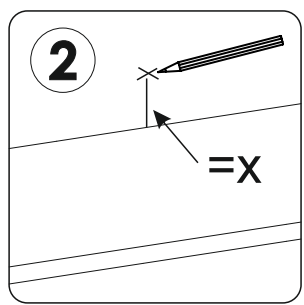
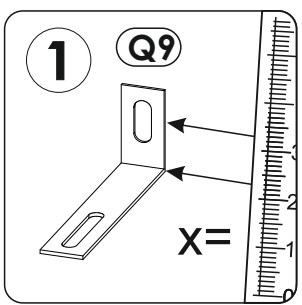
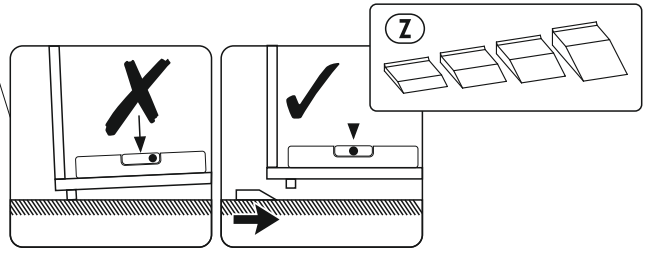
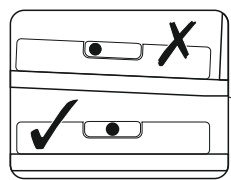
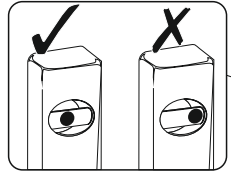
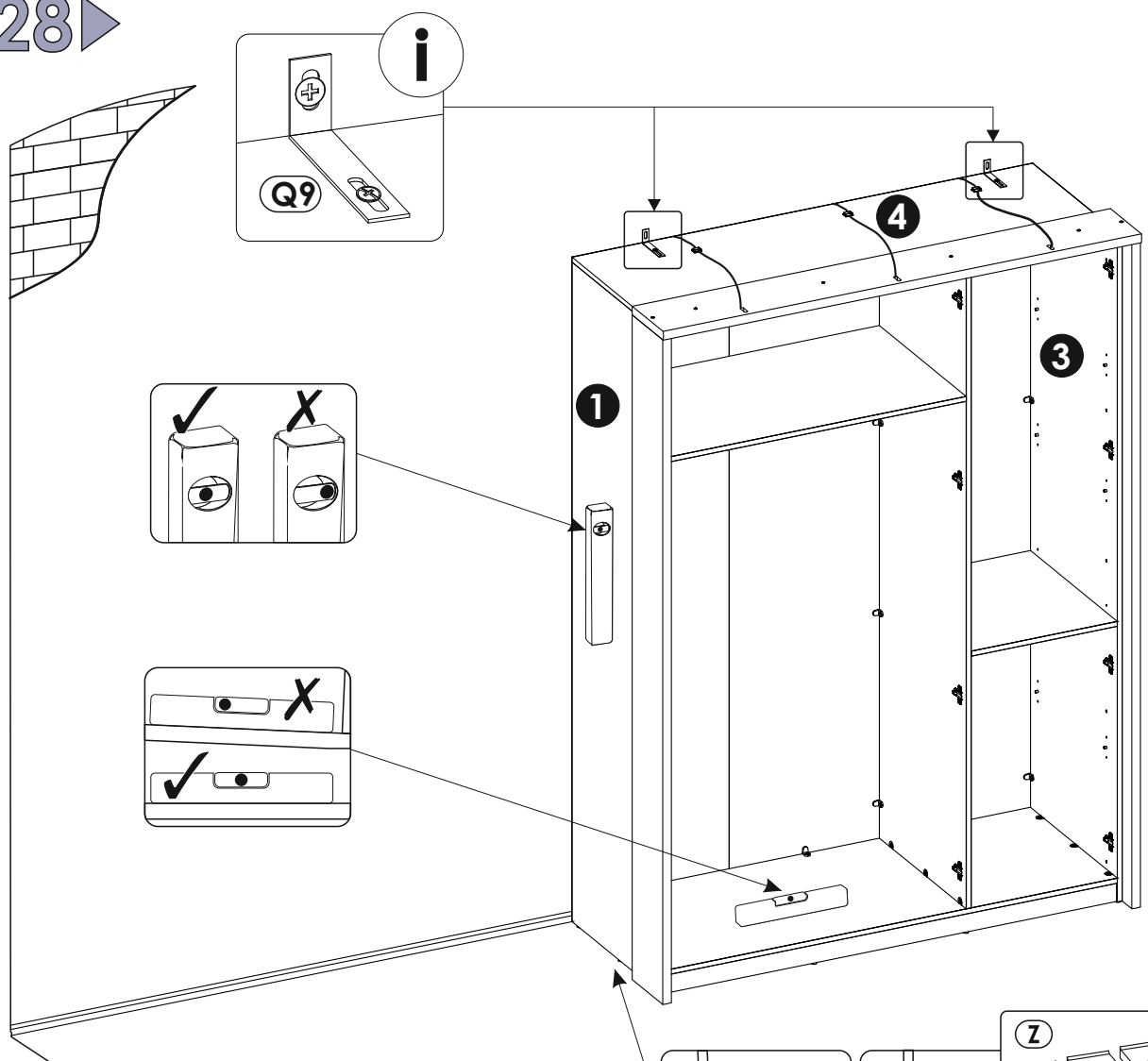


26 ▶

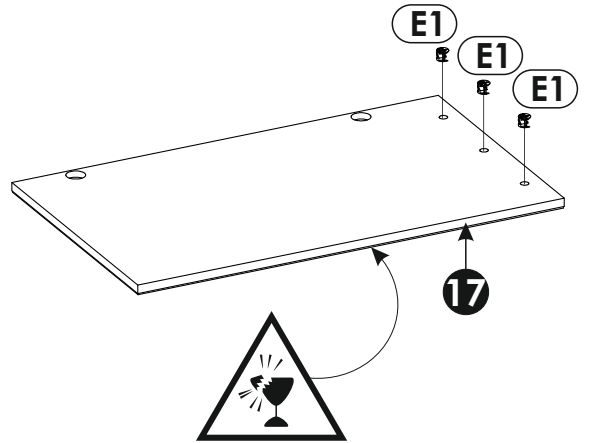
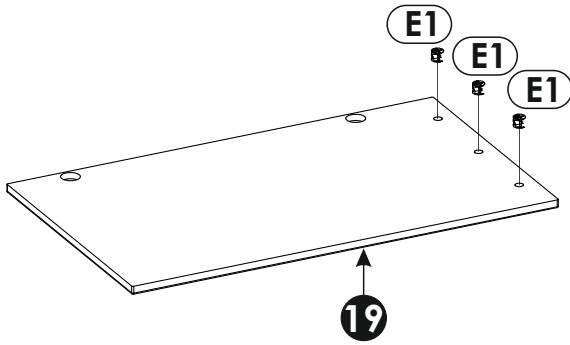
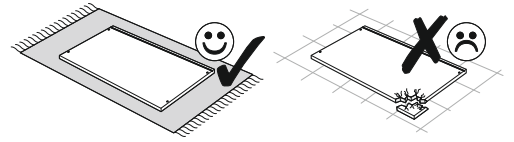
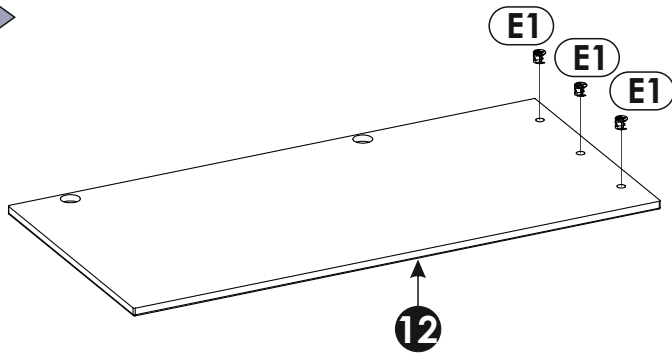


27 ▶

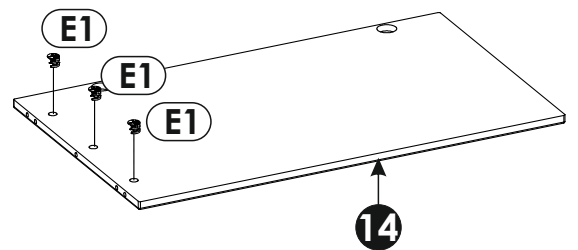
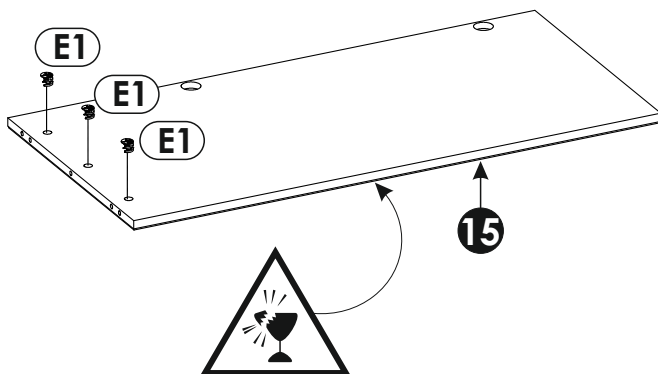
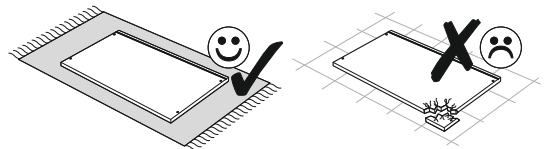
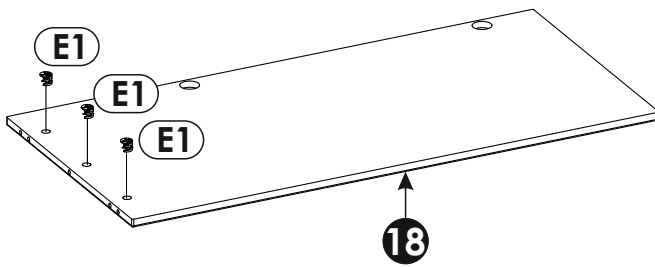




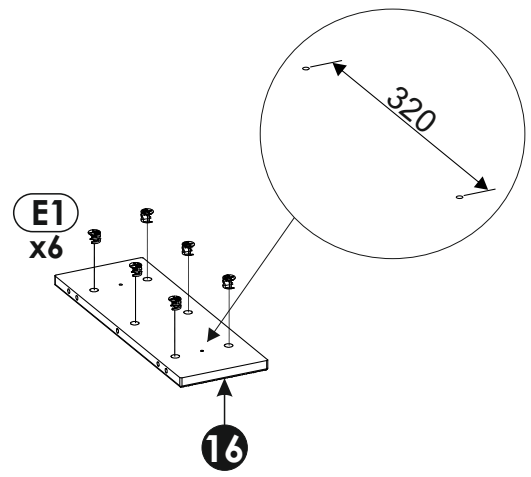
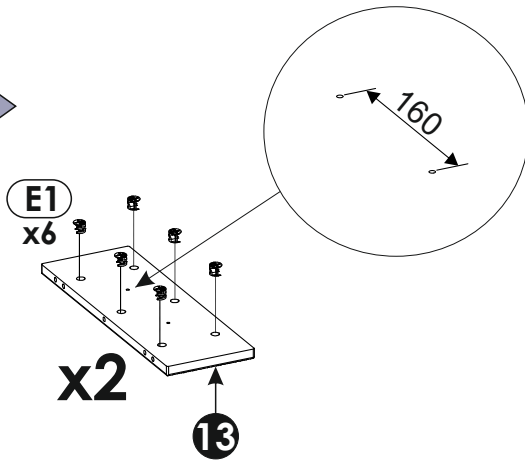
29 ▶



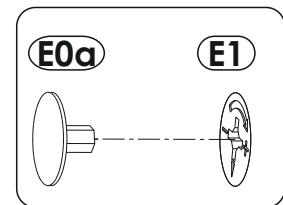
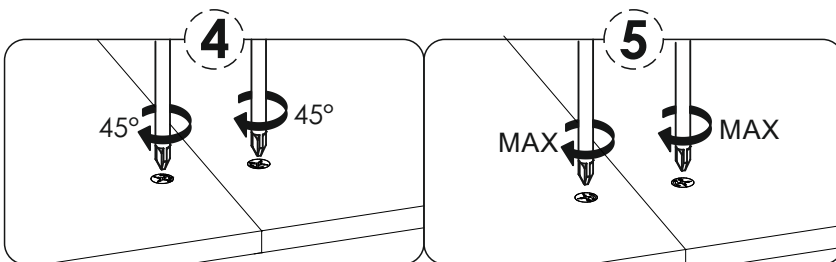
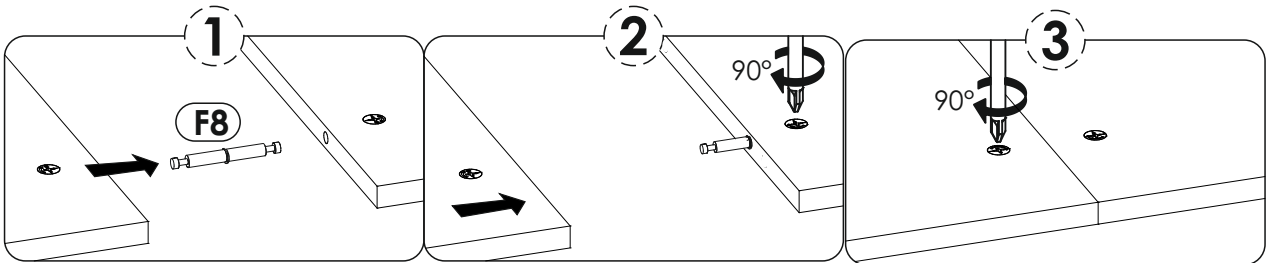
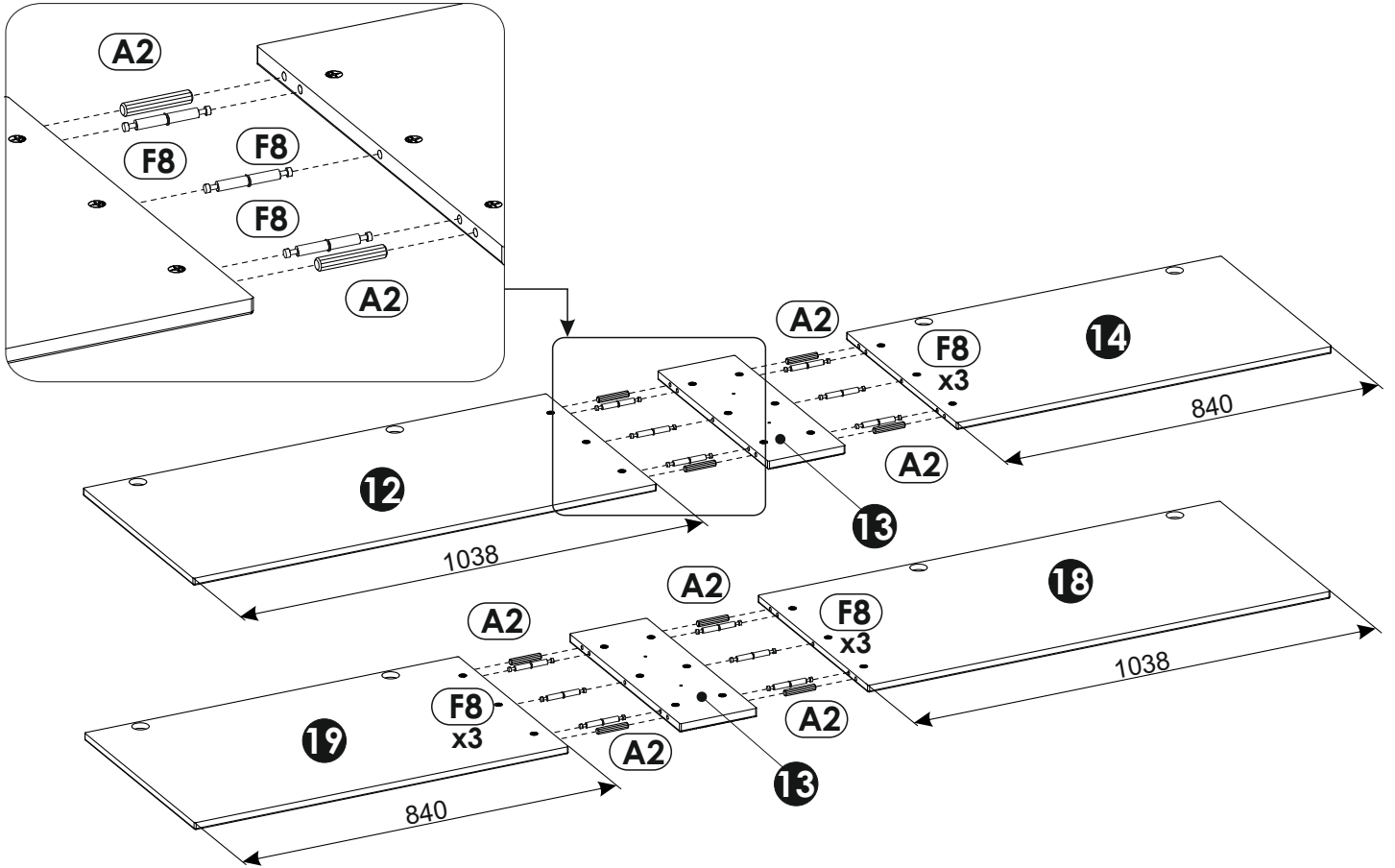
30 ▶



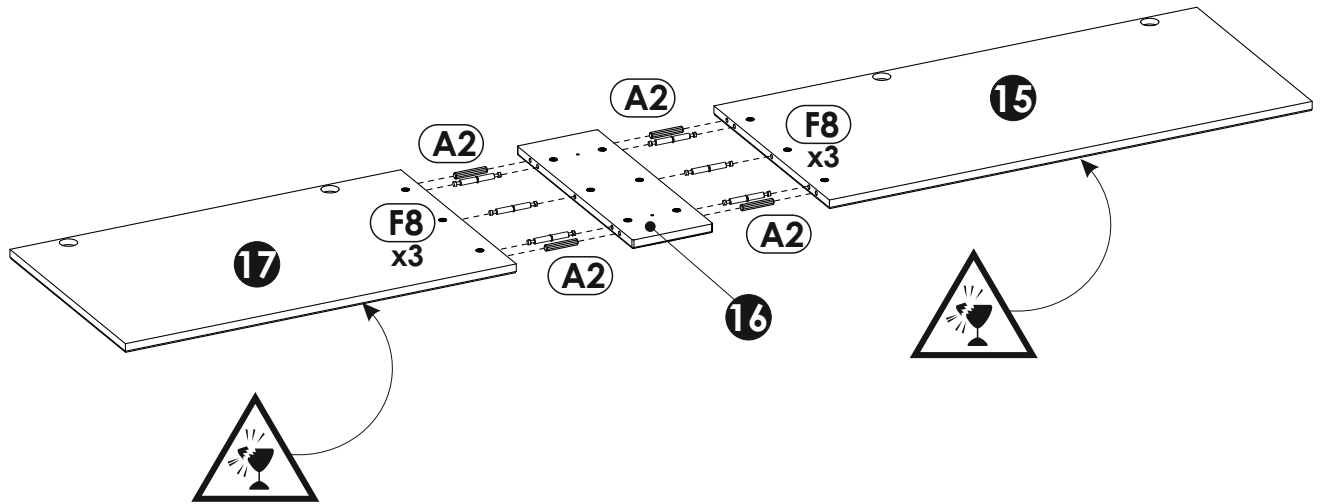
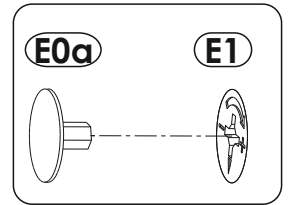
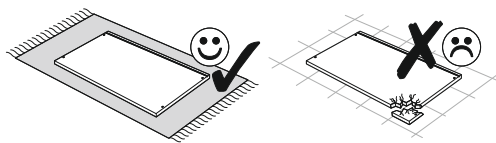
31 ▶



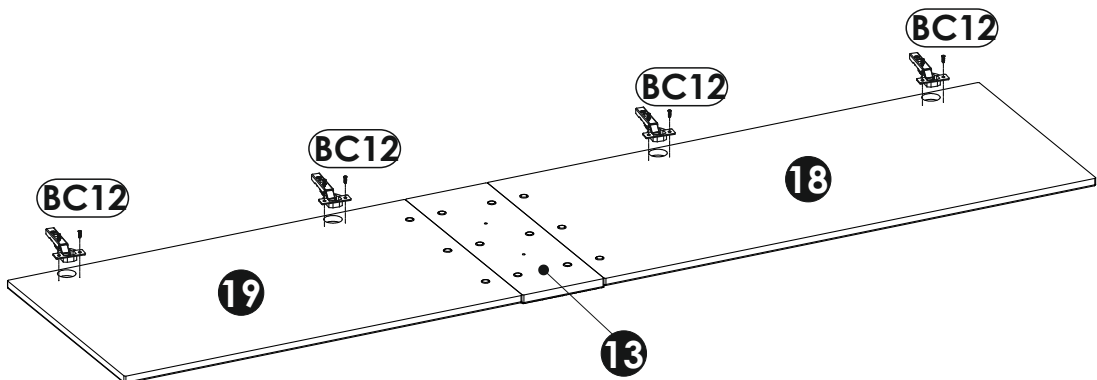
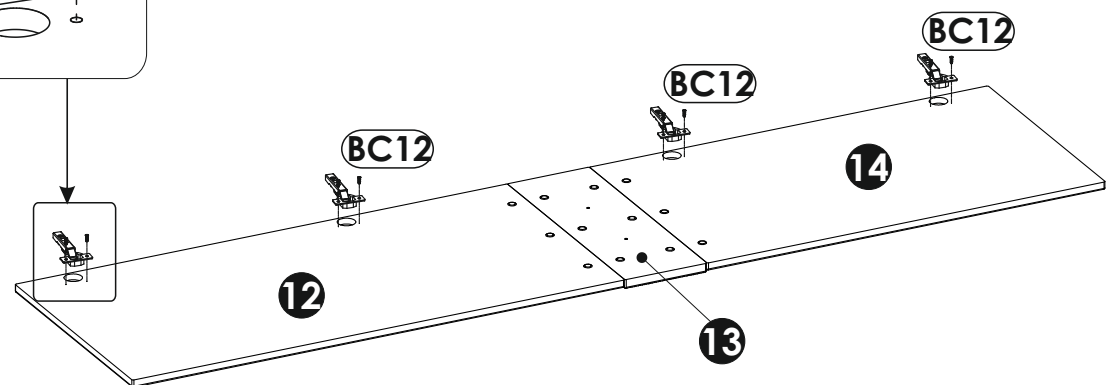
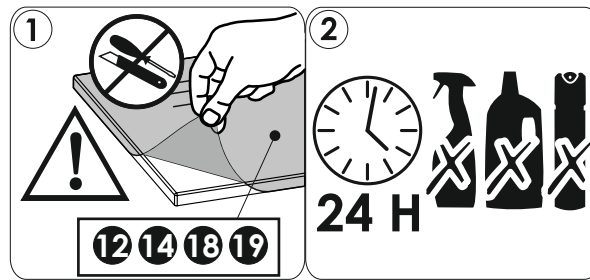
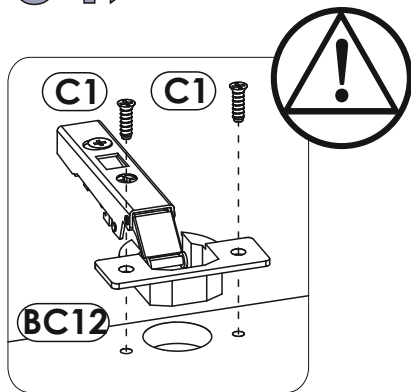
32 ▶



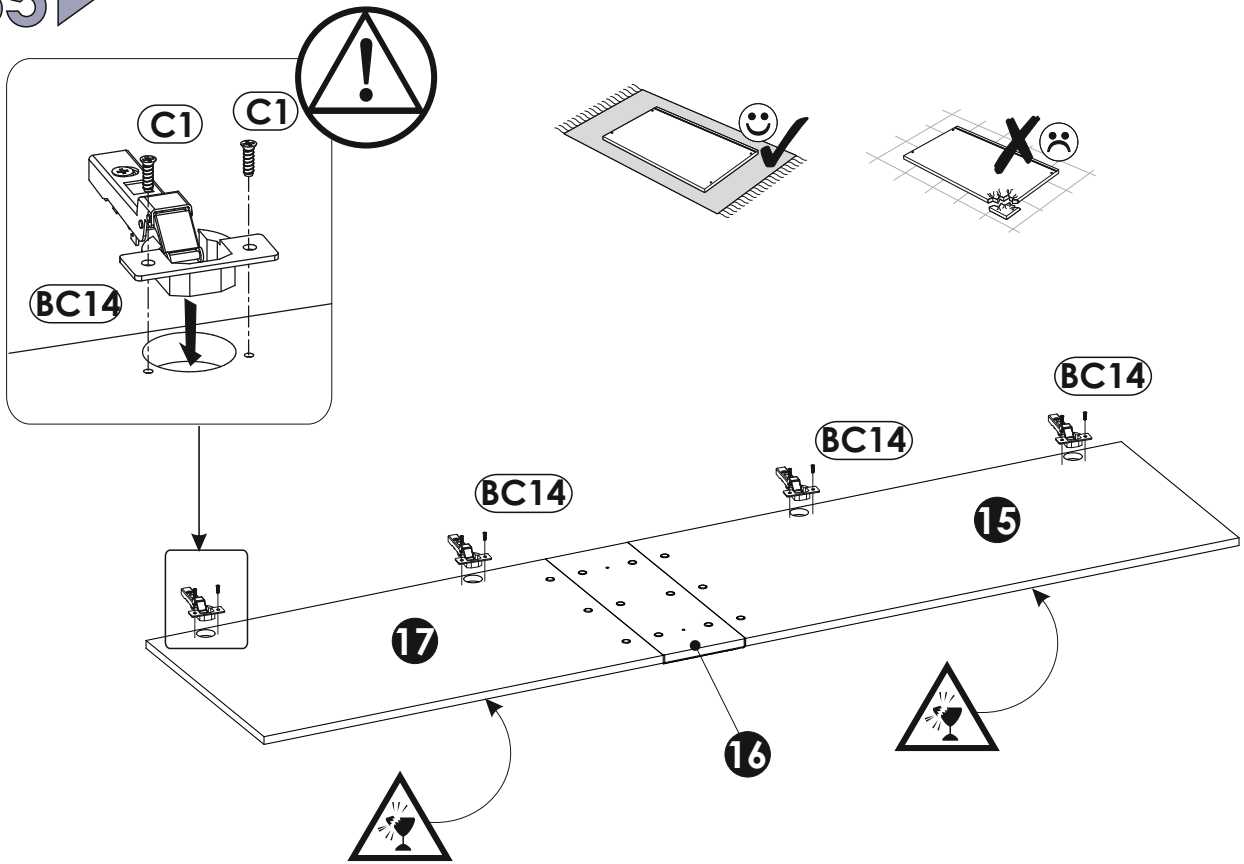
33 ▶



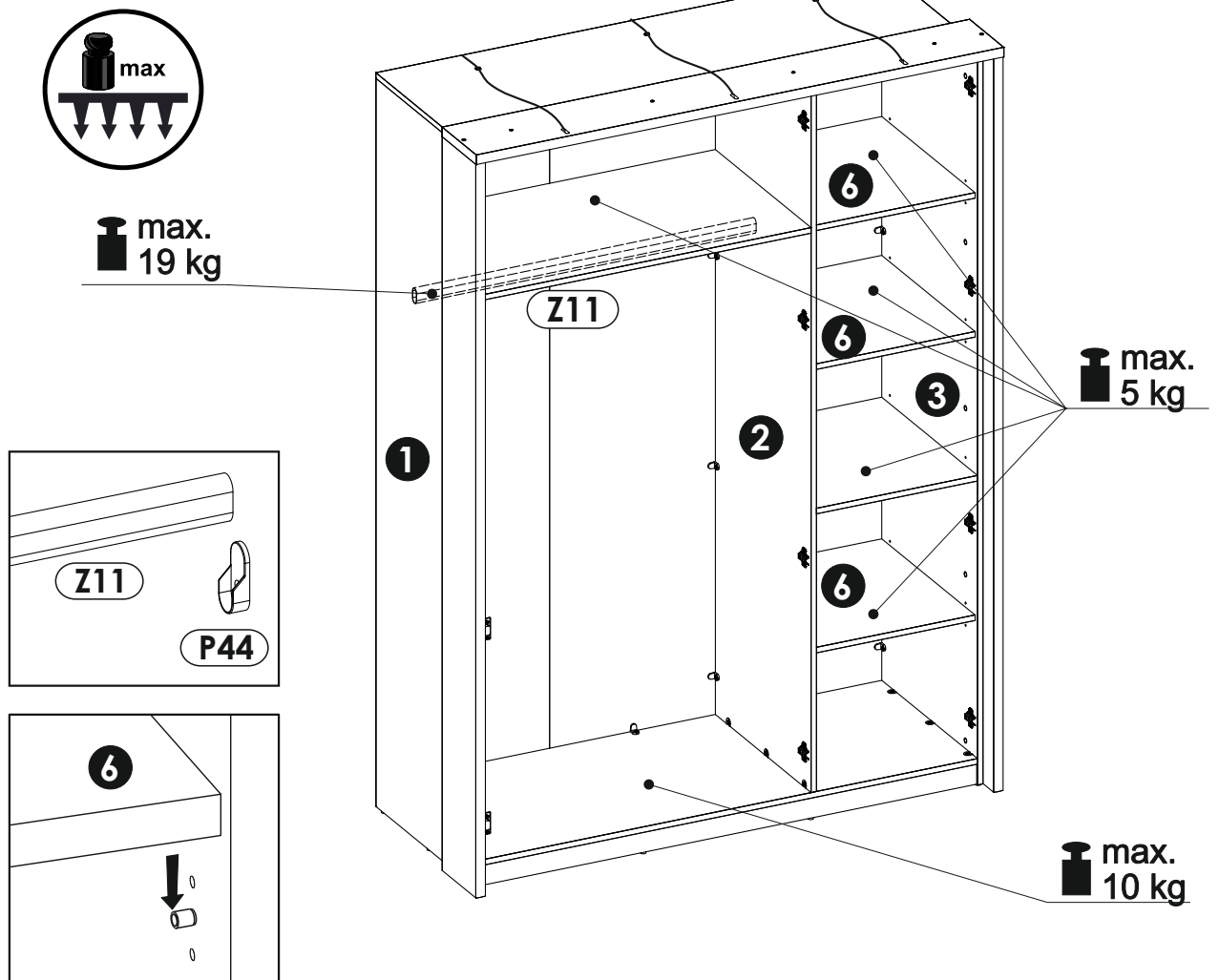
34 ▶

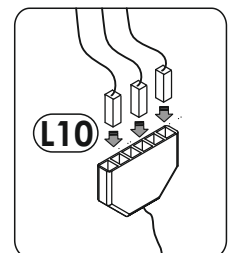
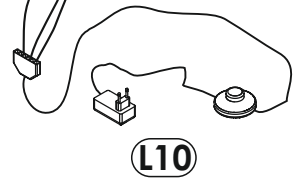
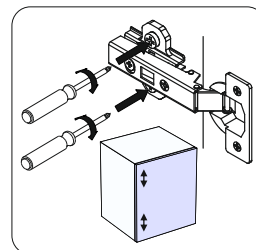
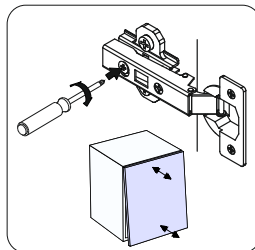
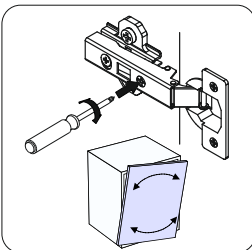
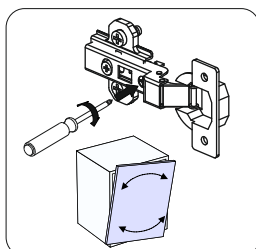
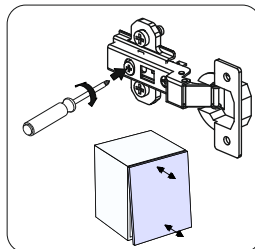
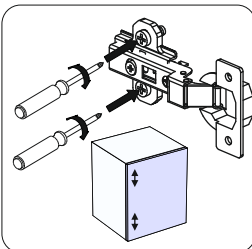
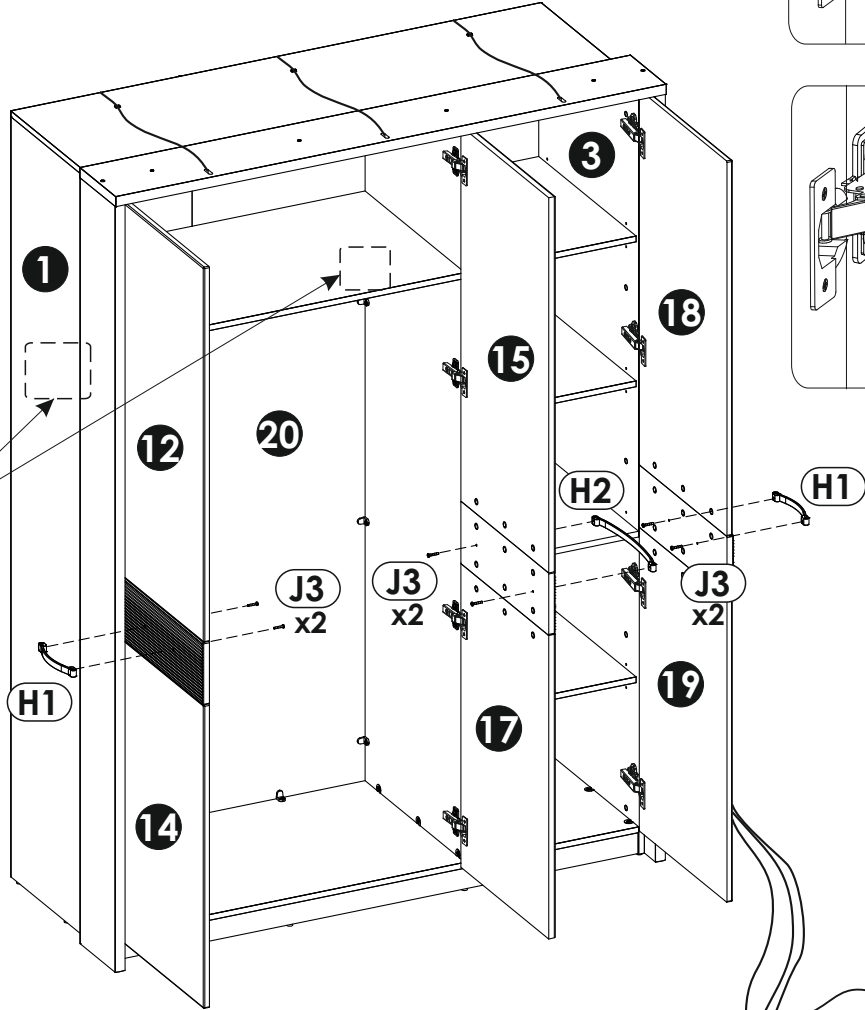
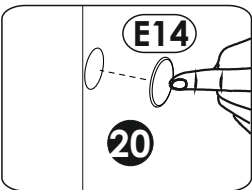
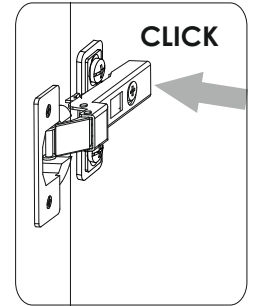
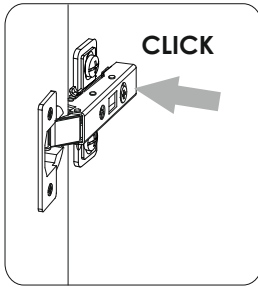
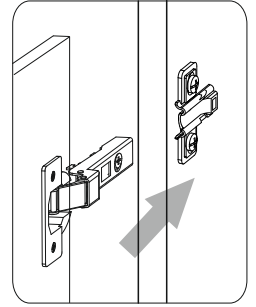
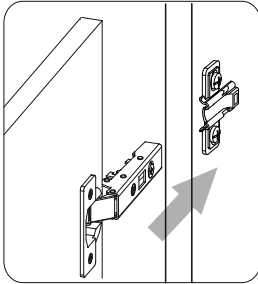


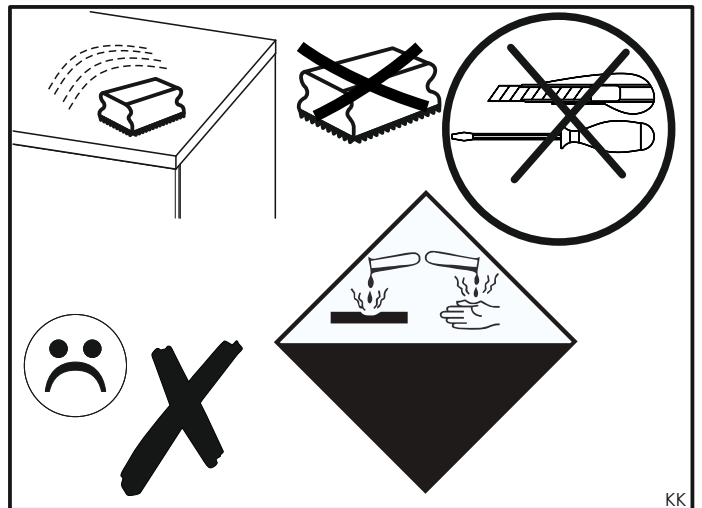
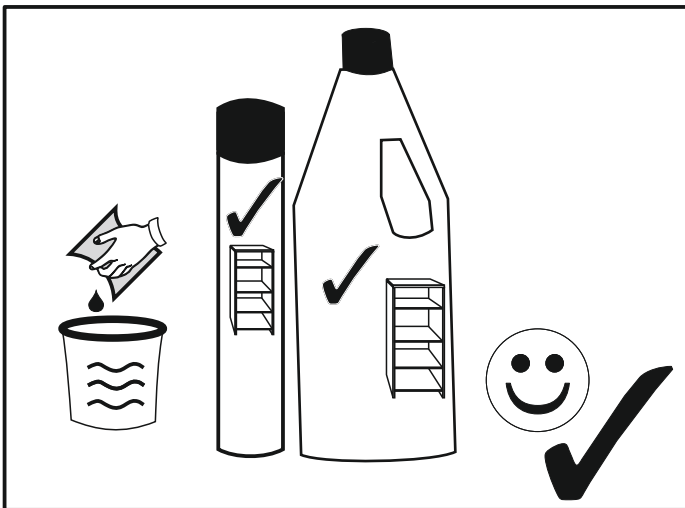
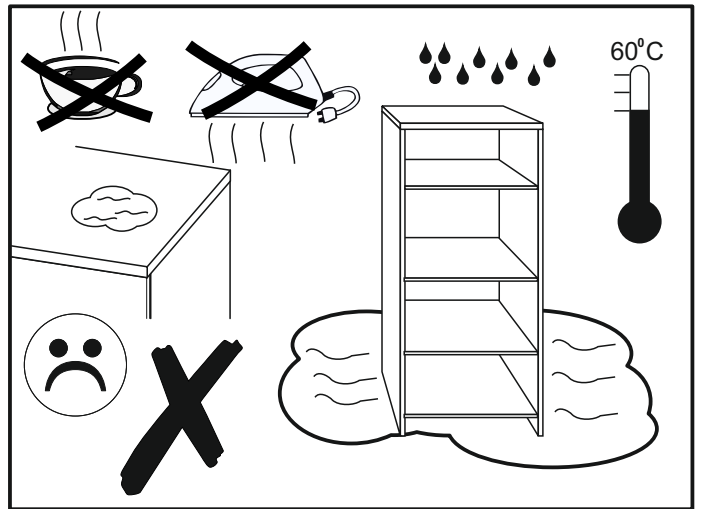
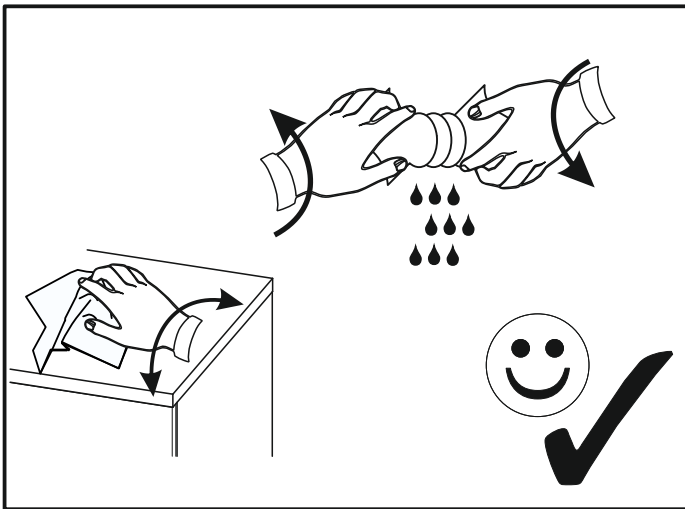
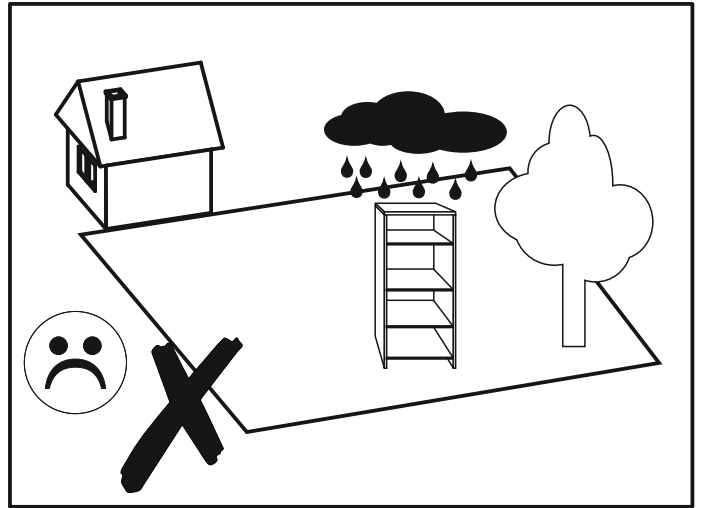
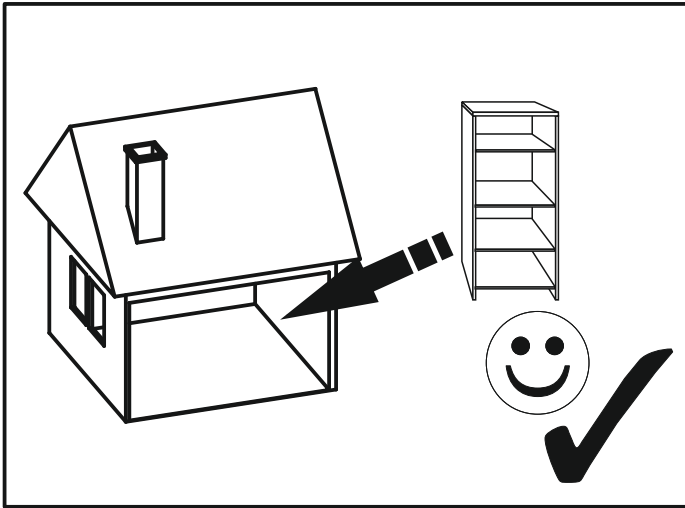
35 ▶

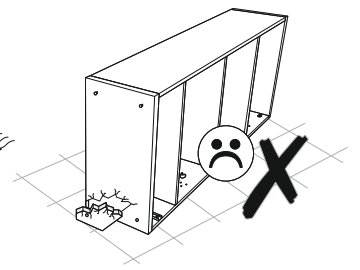
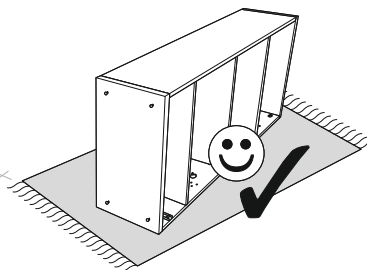
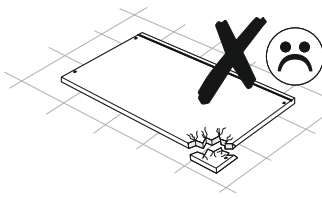
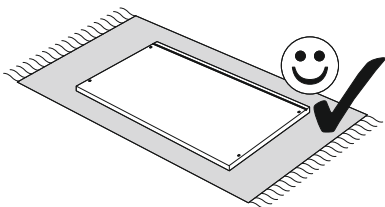
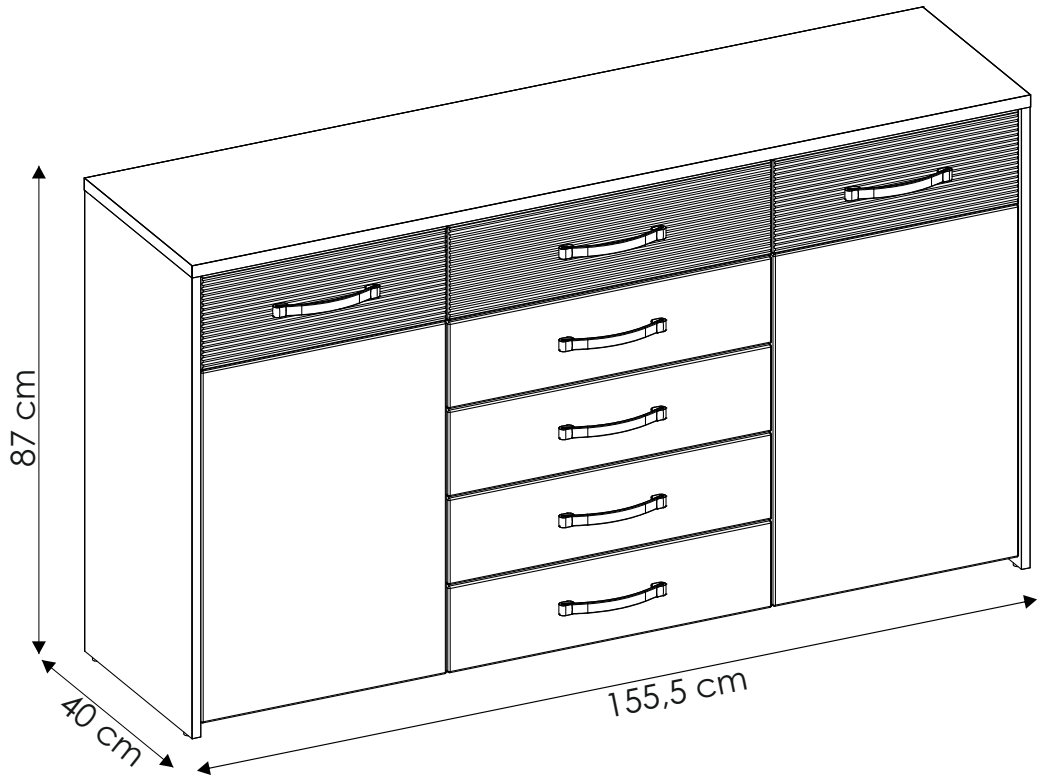
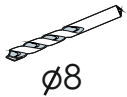
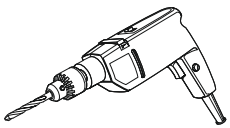
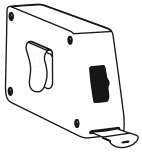
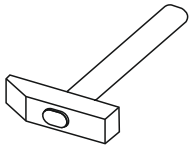
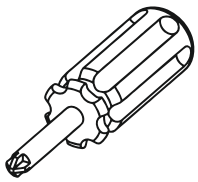
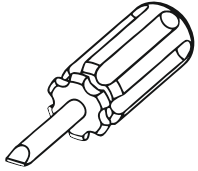
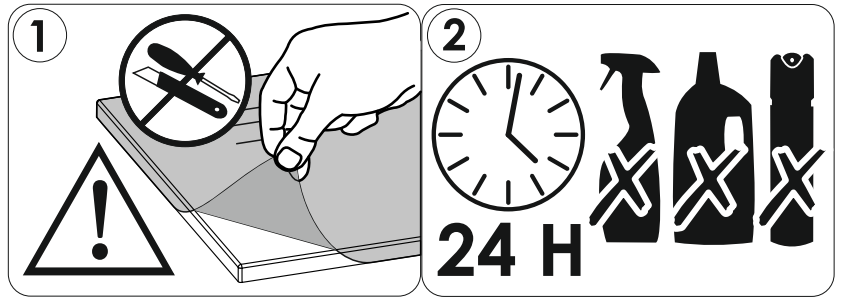
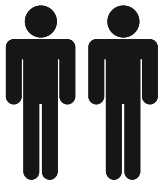


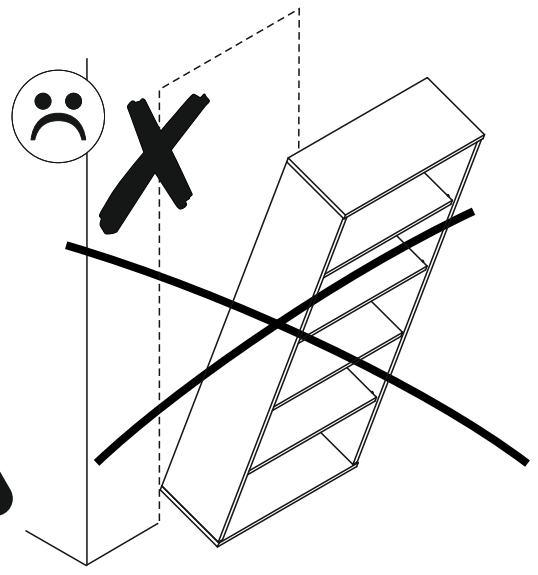
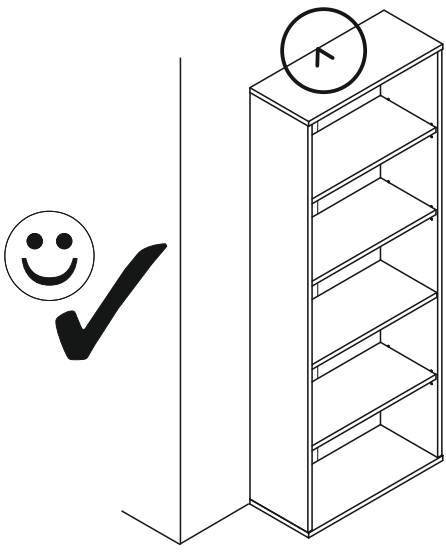
36 ▶

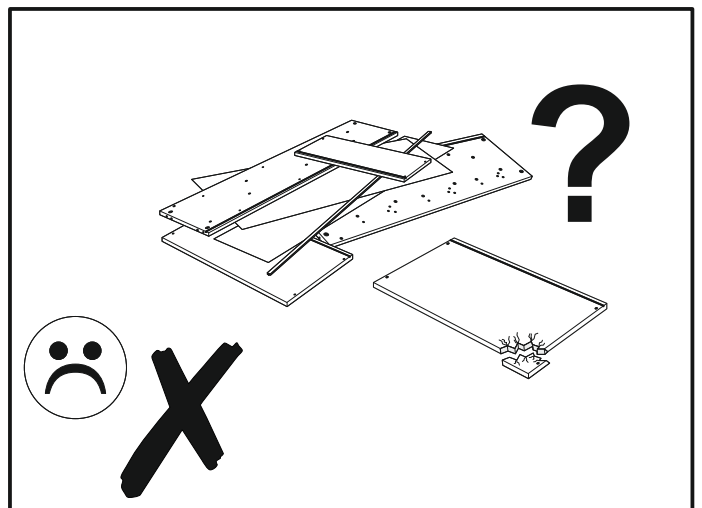
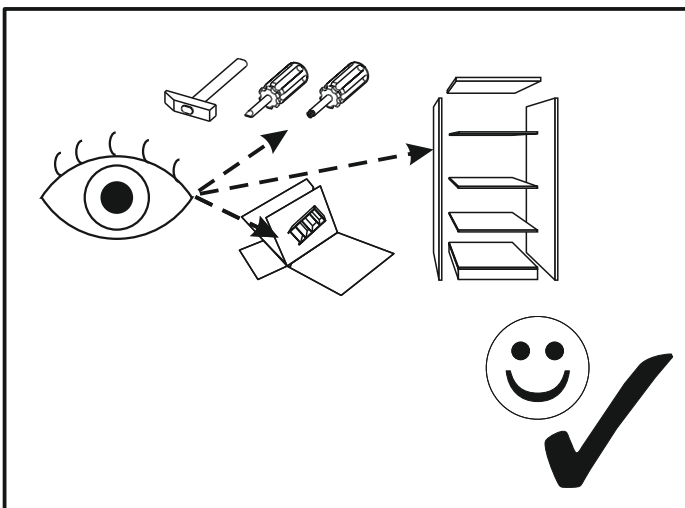
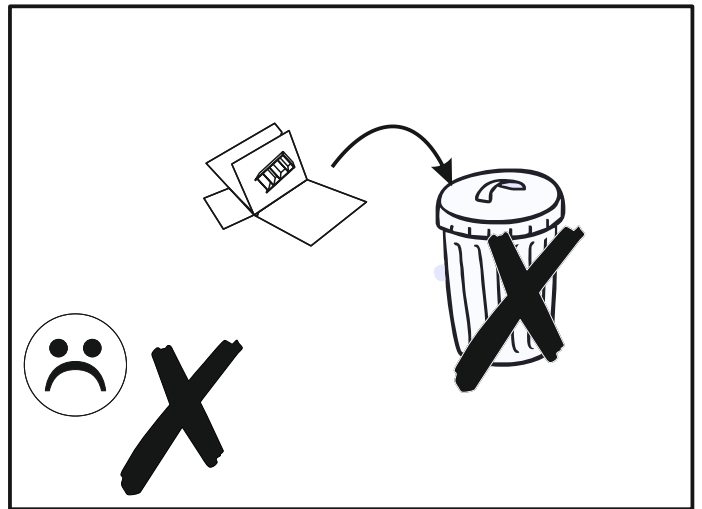
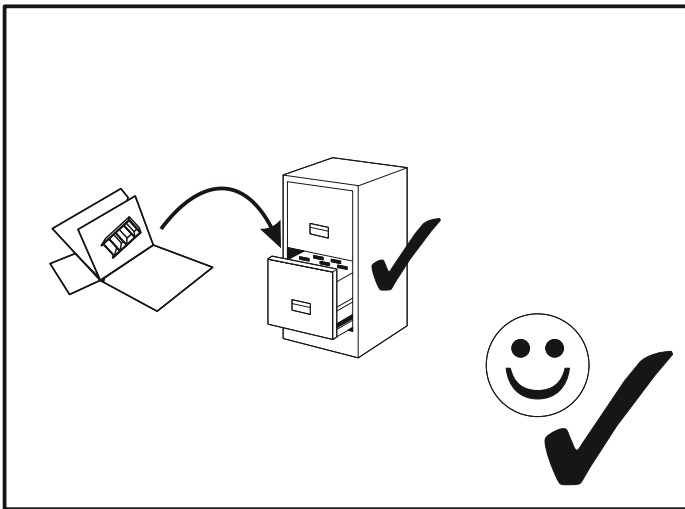
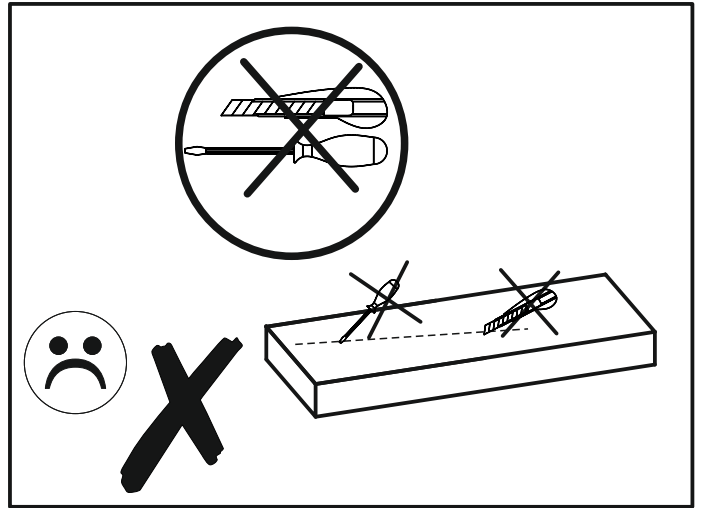
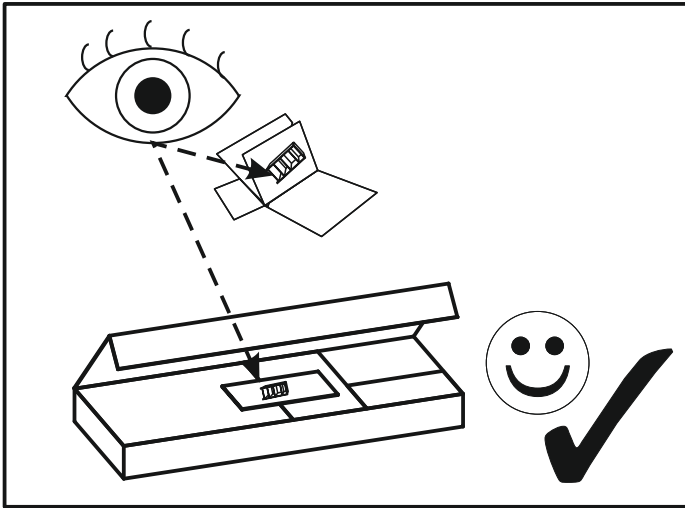


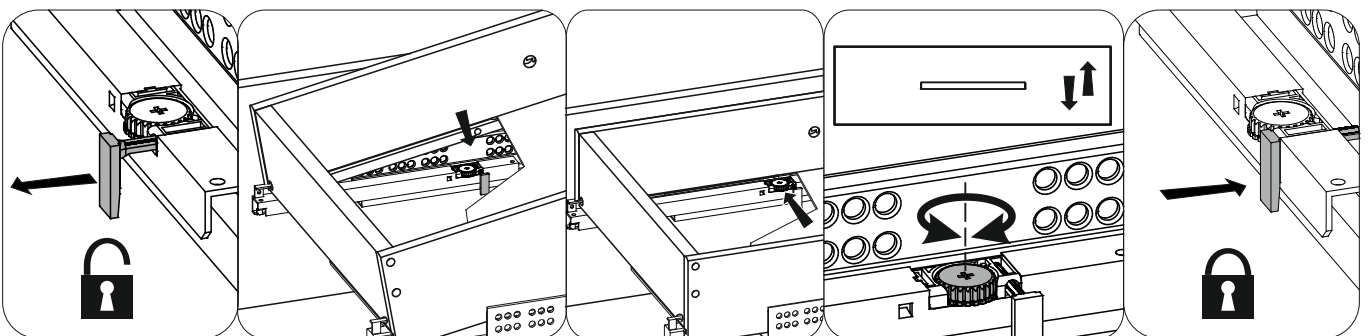
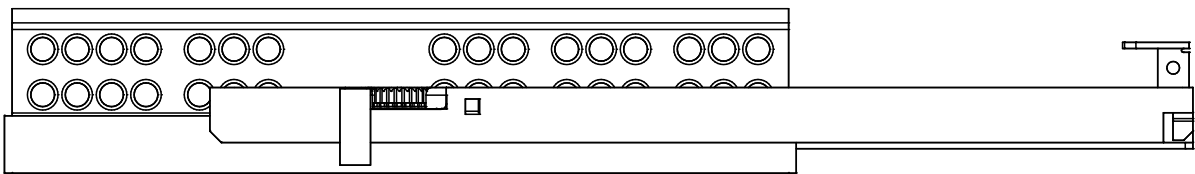
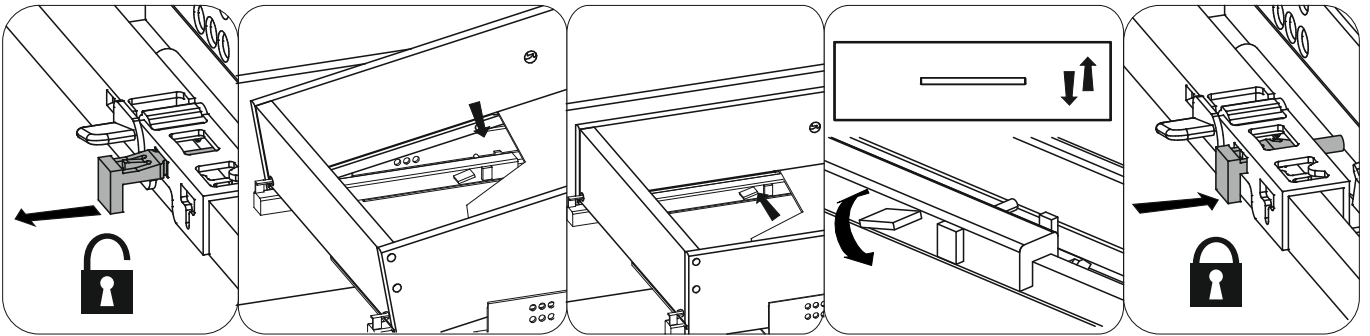
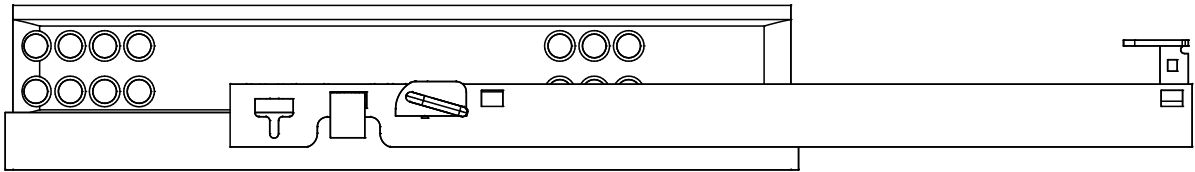
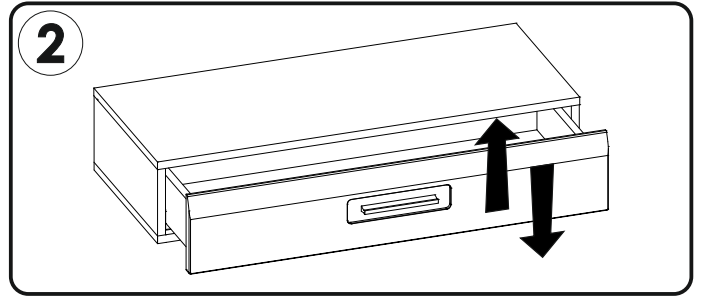
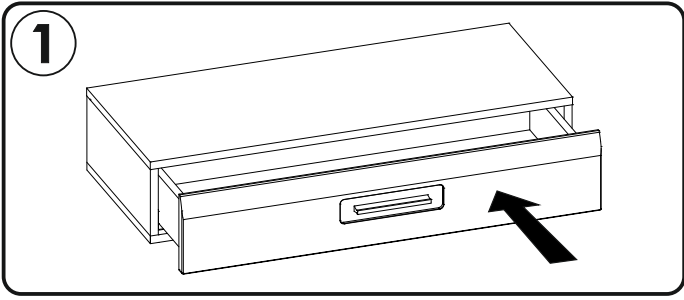



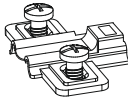
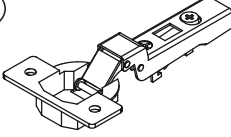


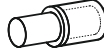


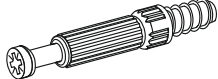






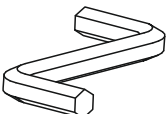


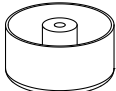
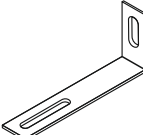

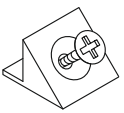
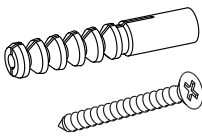
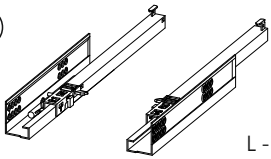
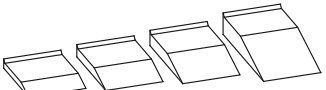
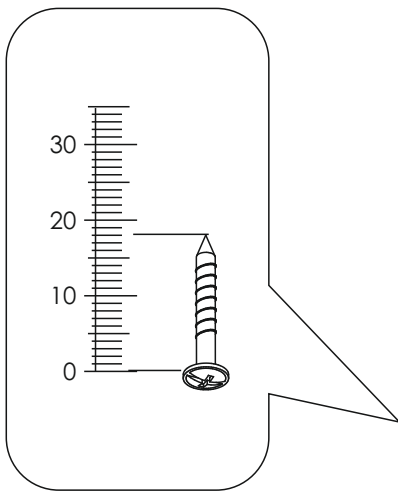


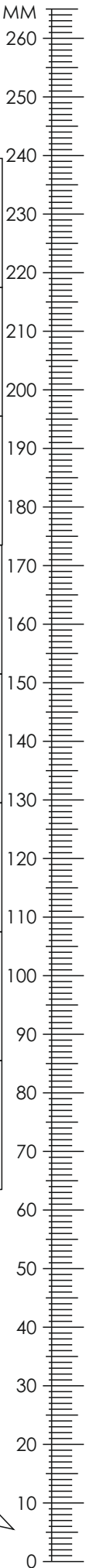


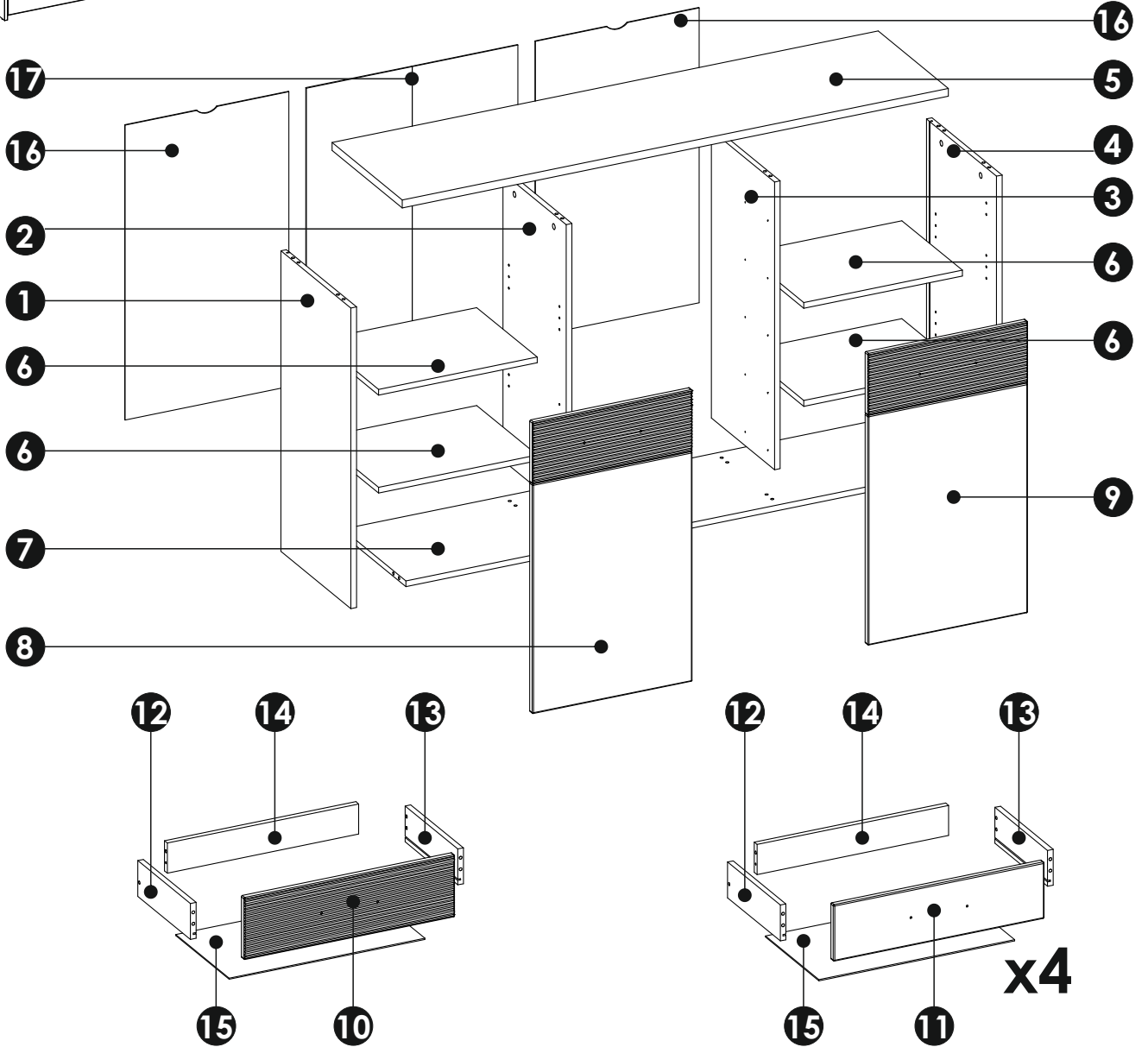
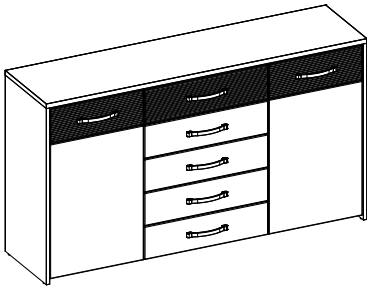






A1 ø8 x 35 mm x36 	BC10  x4	BC12  x4
C1 4 x 13 mm x8 	C2 5 x 13 mm x20 	D2  x16
E0  x22	E1 15 x 12 mm x22 	F1 6 x 34 mm x22 
G0  x14	G1 φ7 x 50 mm x14 	H1 L-197 mm x7 
I2 4 x 16 mm x2 	I10 3,5 x 22 mm x2 	J3 4 x 22 mm x14 
M  x1	N1 3 x 16 mm x50 	O2  x4
O10  x2	Q9  x2	R1  x10
R4  x13	S13  x2	T7  x5 L - 300 mm
Z  x1		

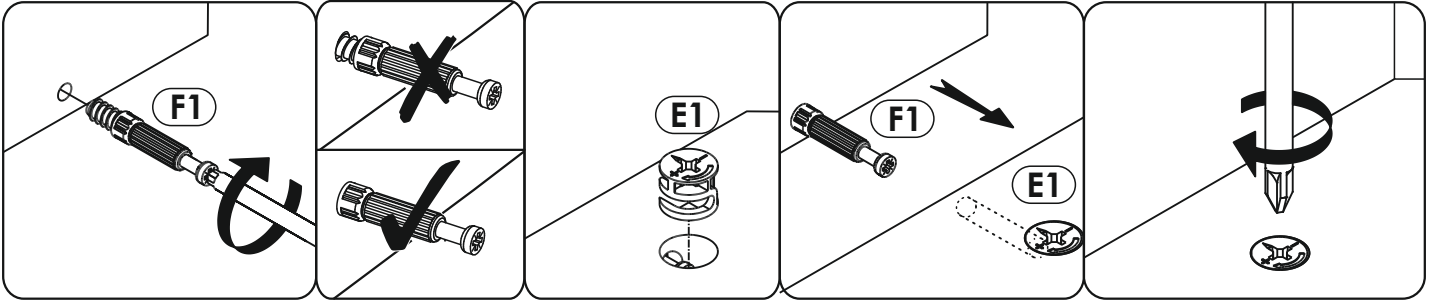




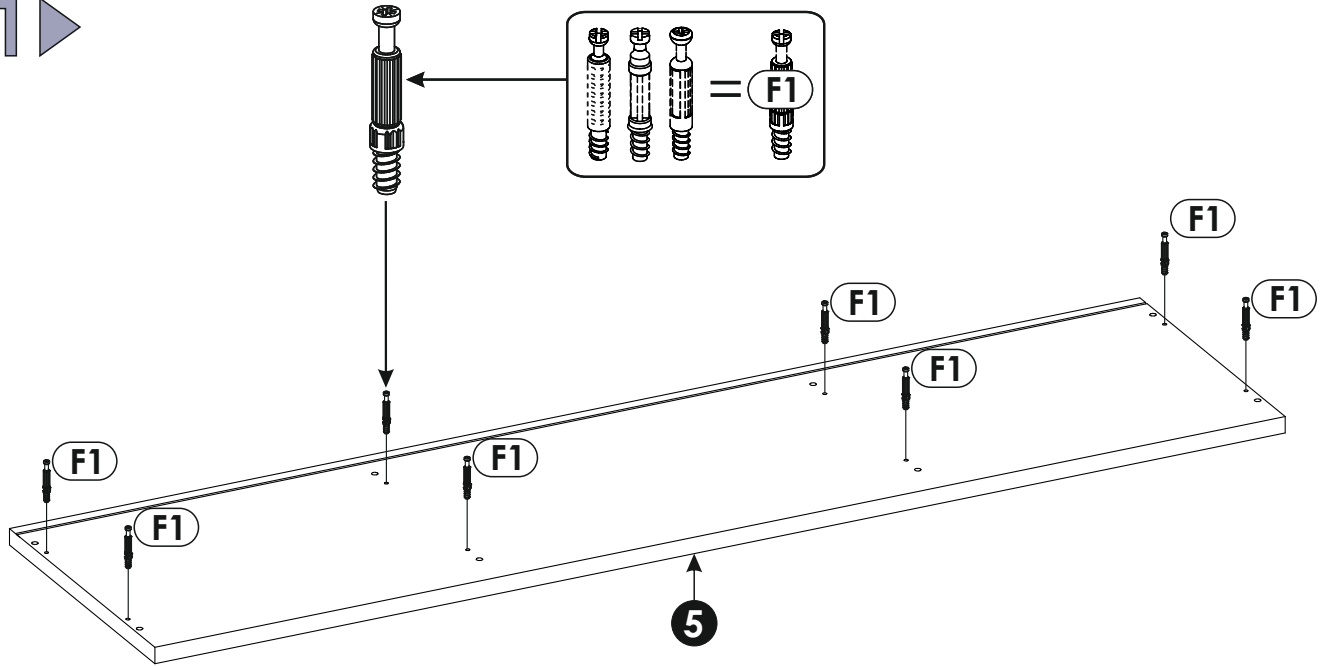
1	838	399	16 x1	1/3
2	802	360	16 x1	2/3
3	802	360	16 x1	2/3
4	838	399	16 x1	1/3
5	1555	400	22 x1	3/3
6	451	345	16 x4	1/3

7	1522	360	16 x1	3/3
8	455	813	16 x1	2/3
9	455	813	16 x1	2/3
10	600	173	16 x1	1/3
11	600	157	16 x4	1/3
12	300	100	16 x5	3/3

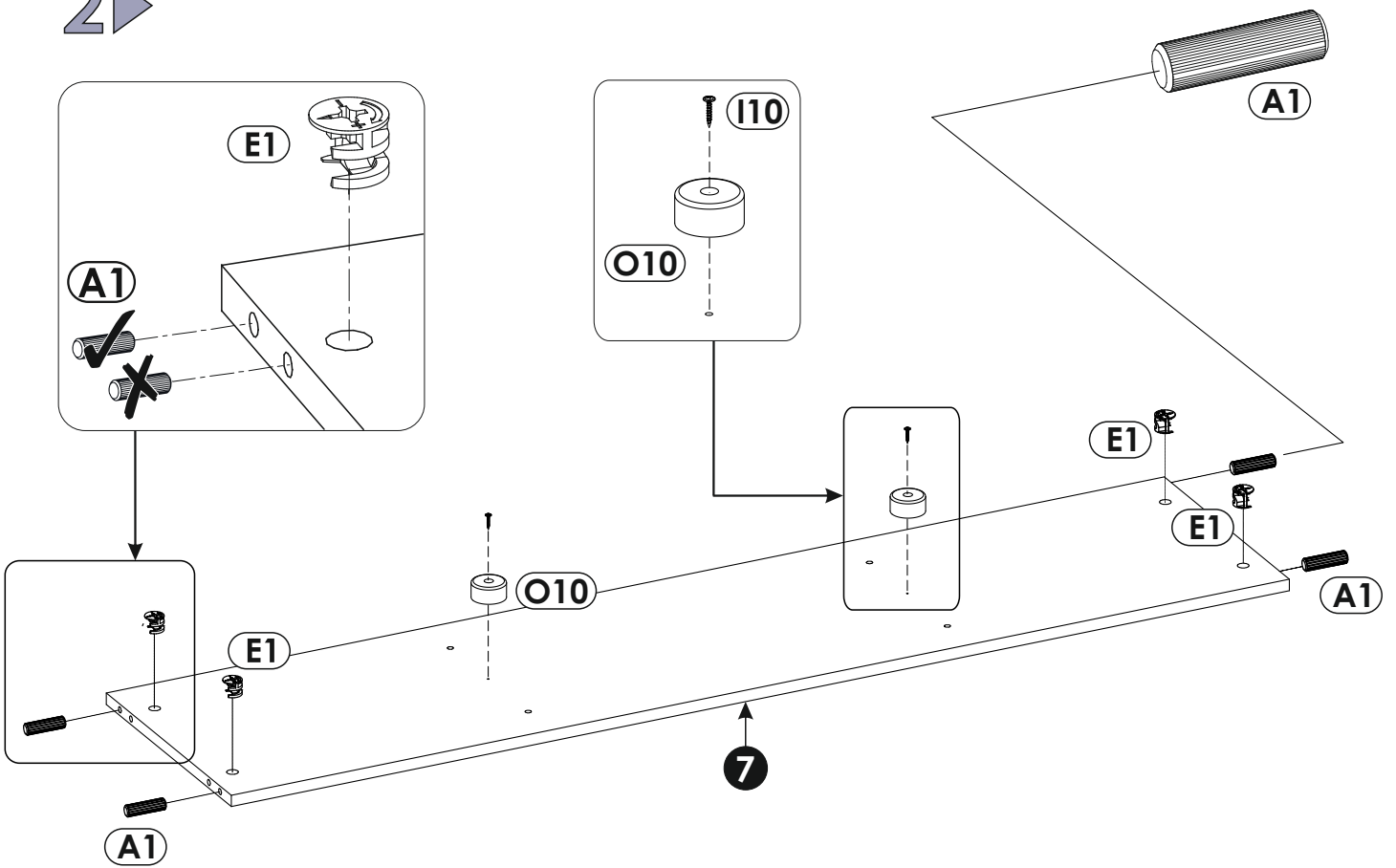
13	300	100	16 x5	3/3
14	545	84	16 x5	3/3
15	557	303	3 x5	1/3
16	822	466	3 x2	2/3
17	822	602	3 x1	2/3



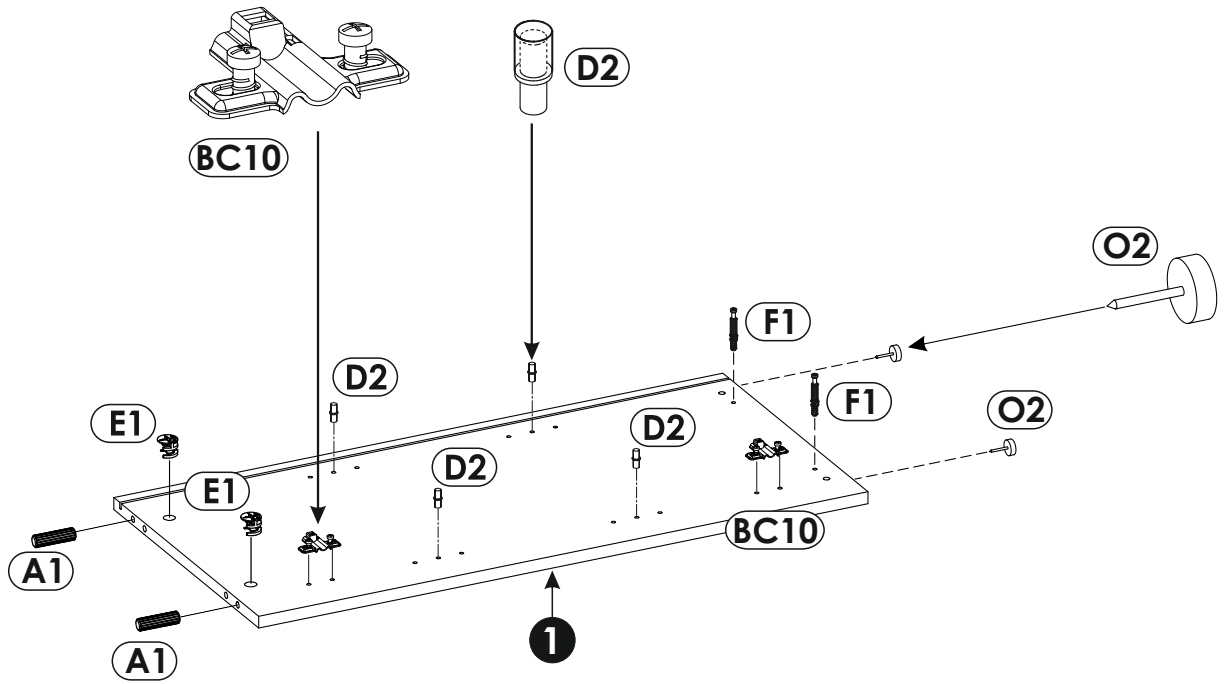
1 ▶



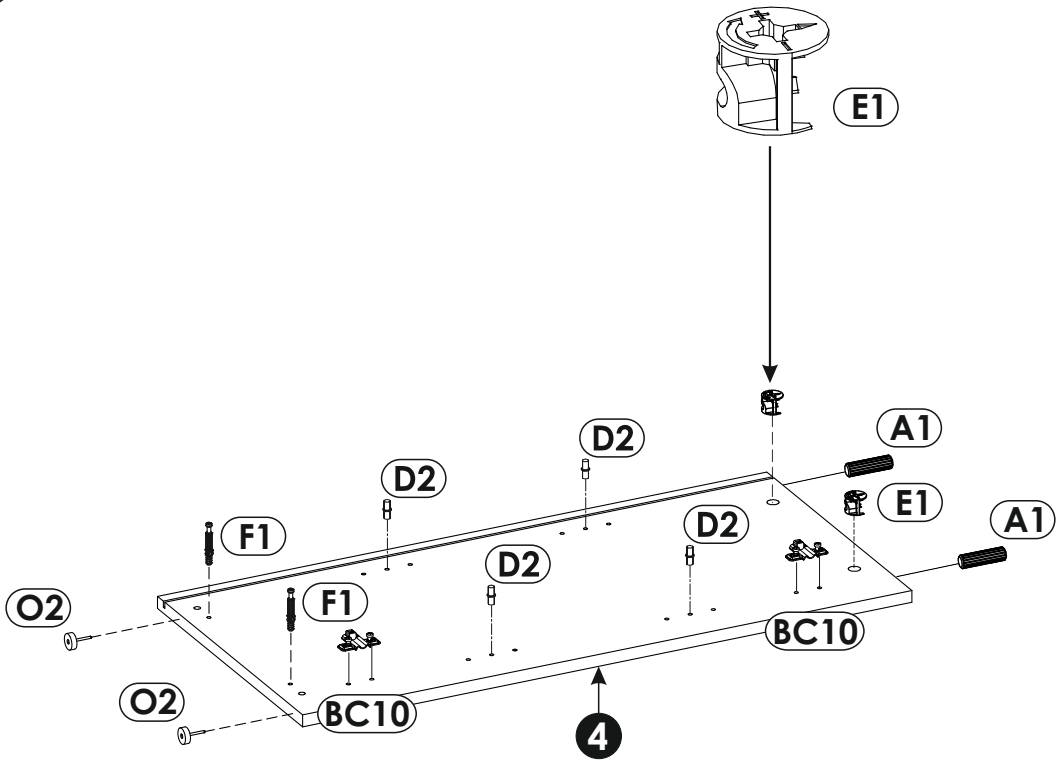
2 ▶



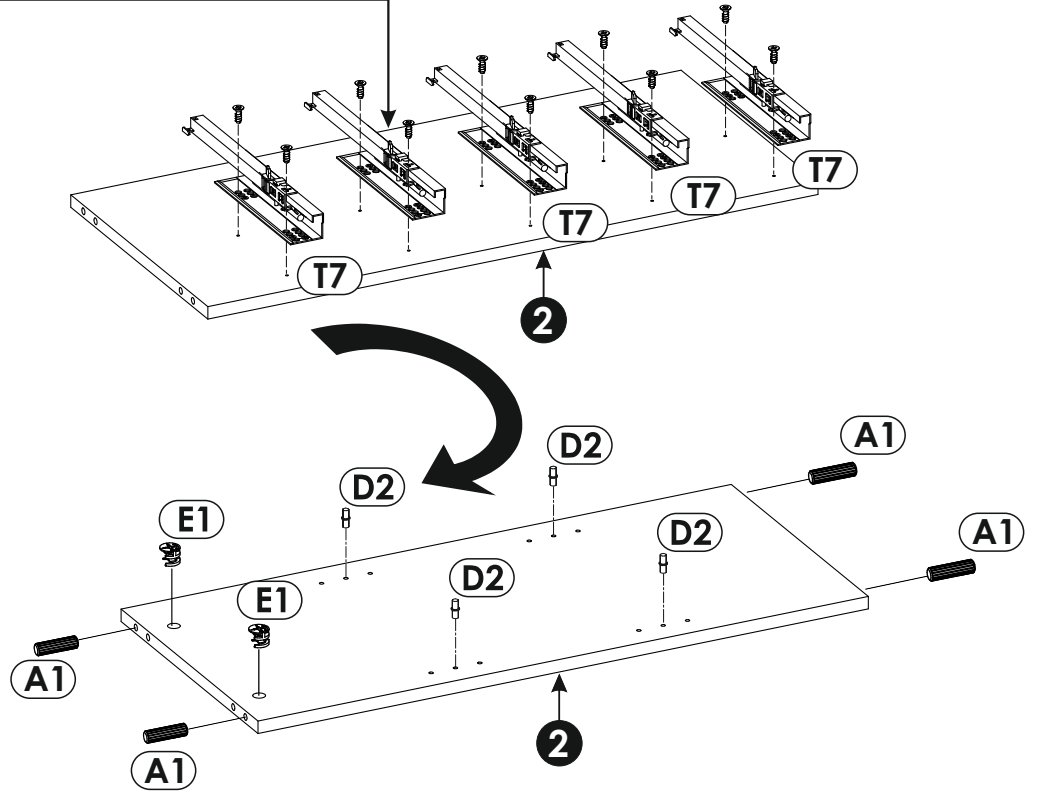
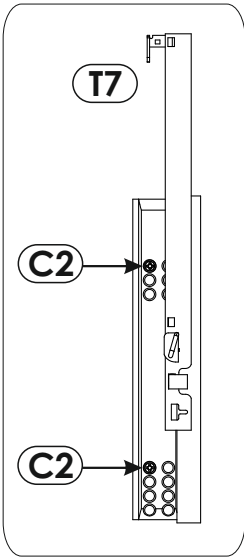
3 ▶



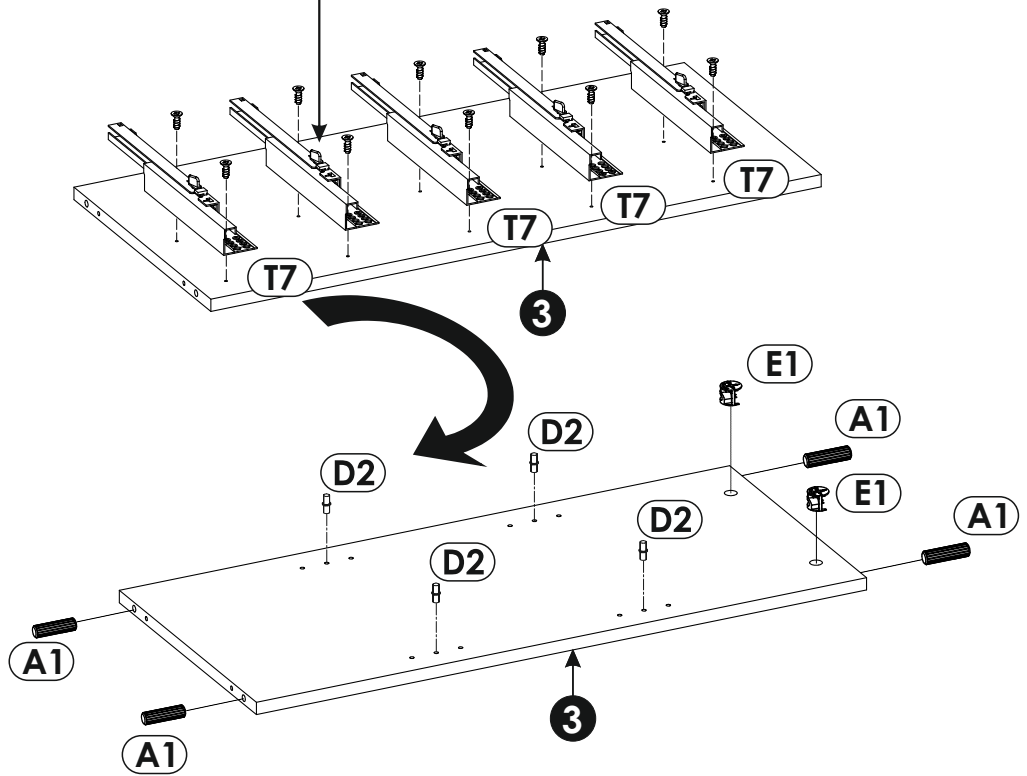
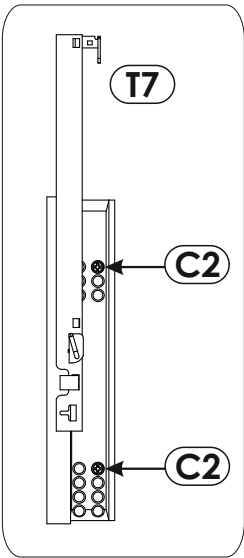
4 ▶



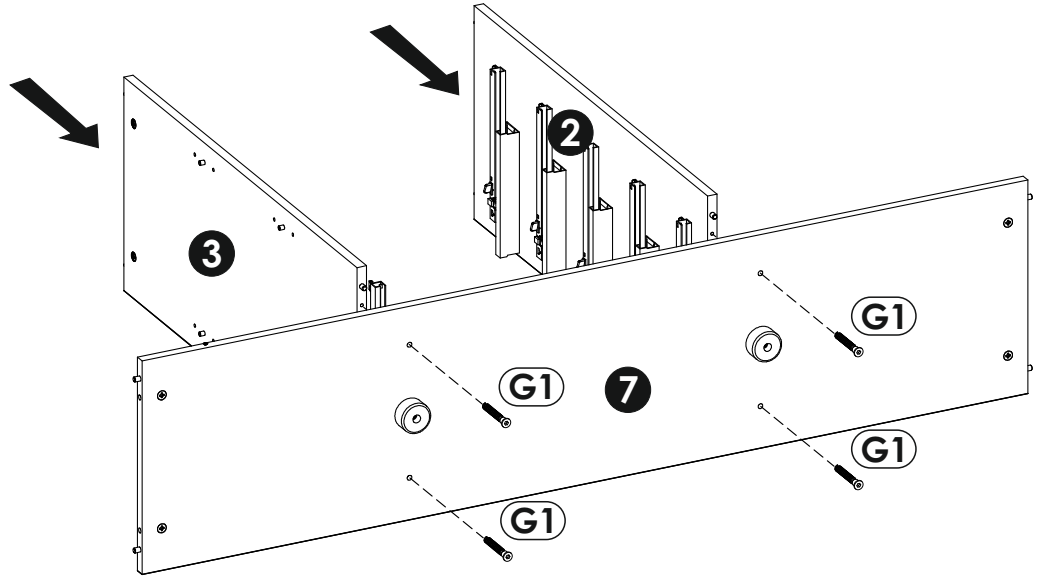
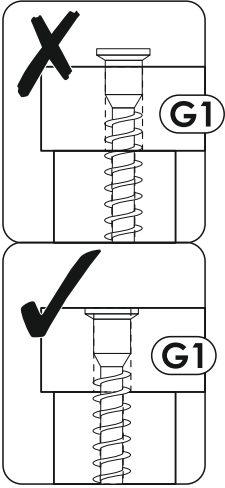
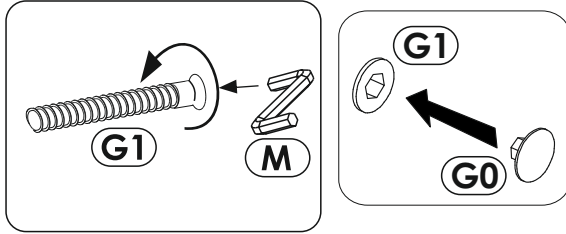
5 ▶



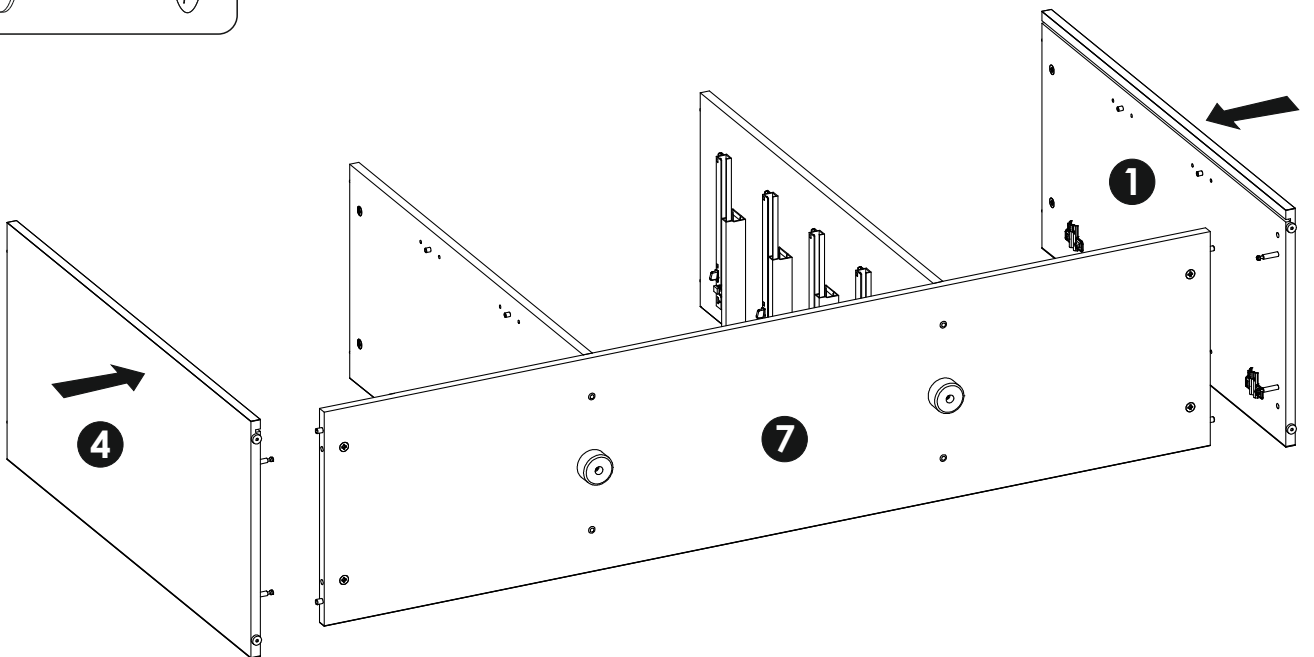
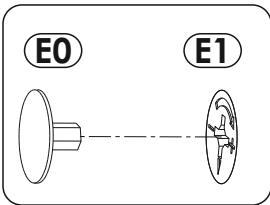
6 ▶



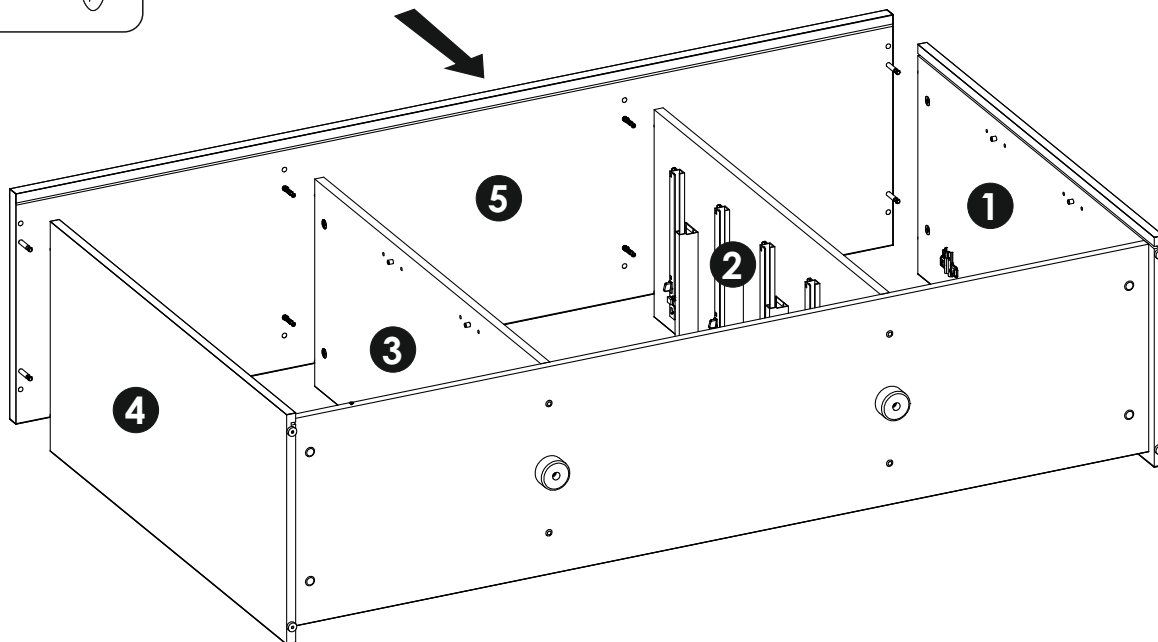
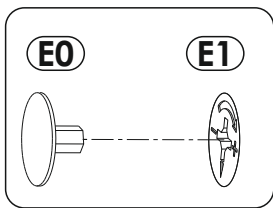
7 ▶



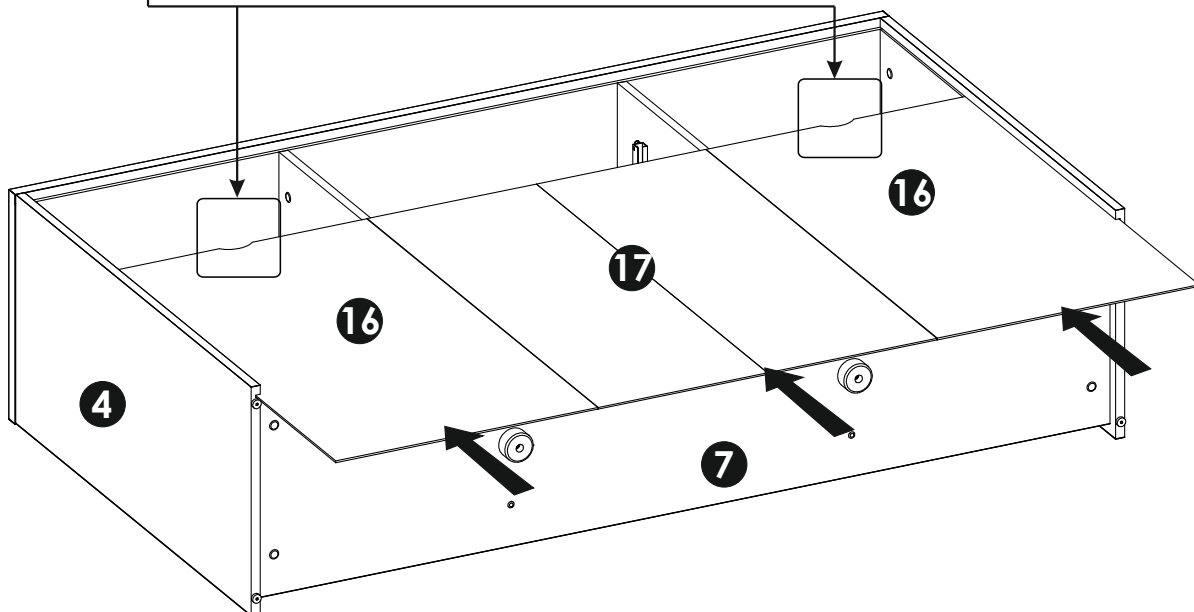
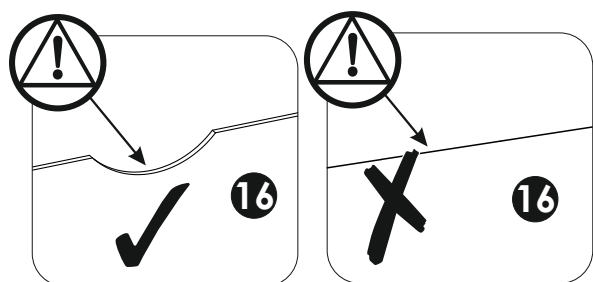
8 ▶



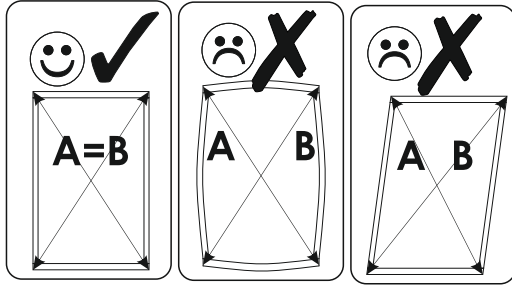
9 ▶



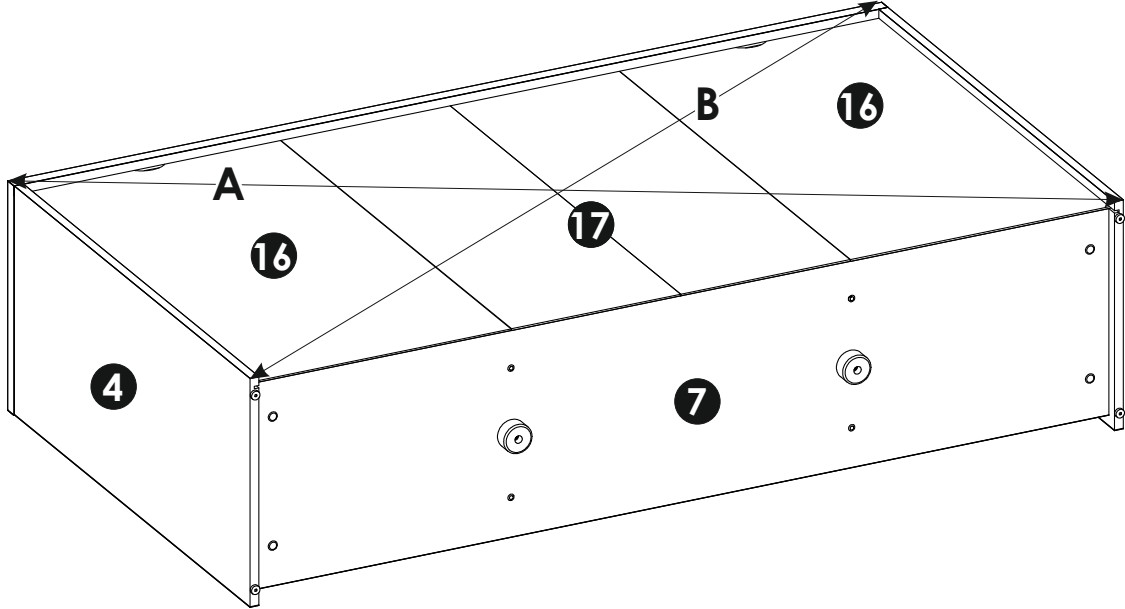
10 ▶



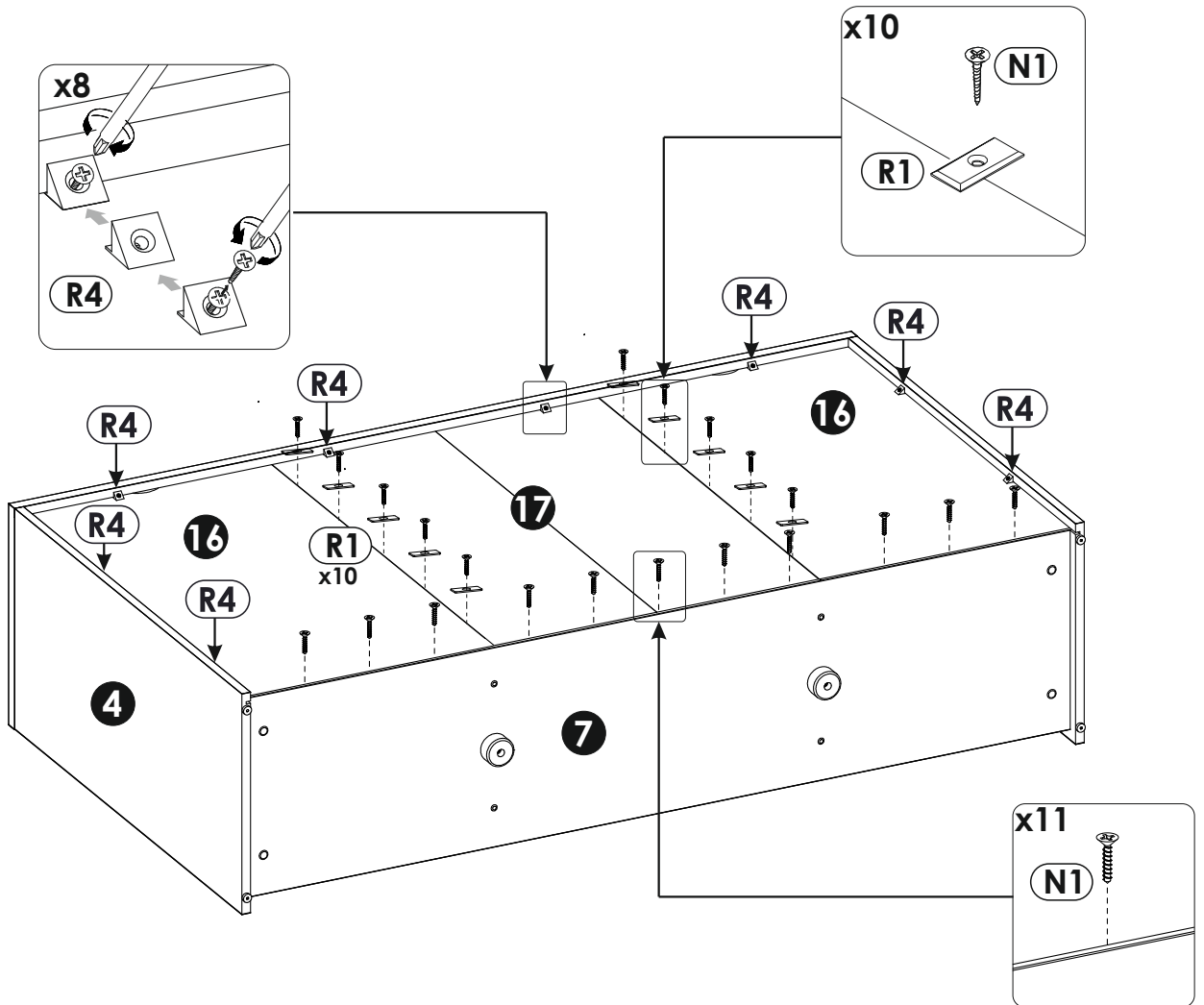
11 ▶



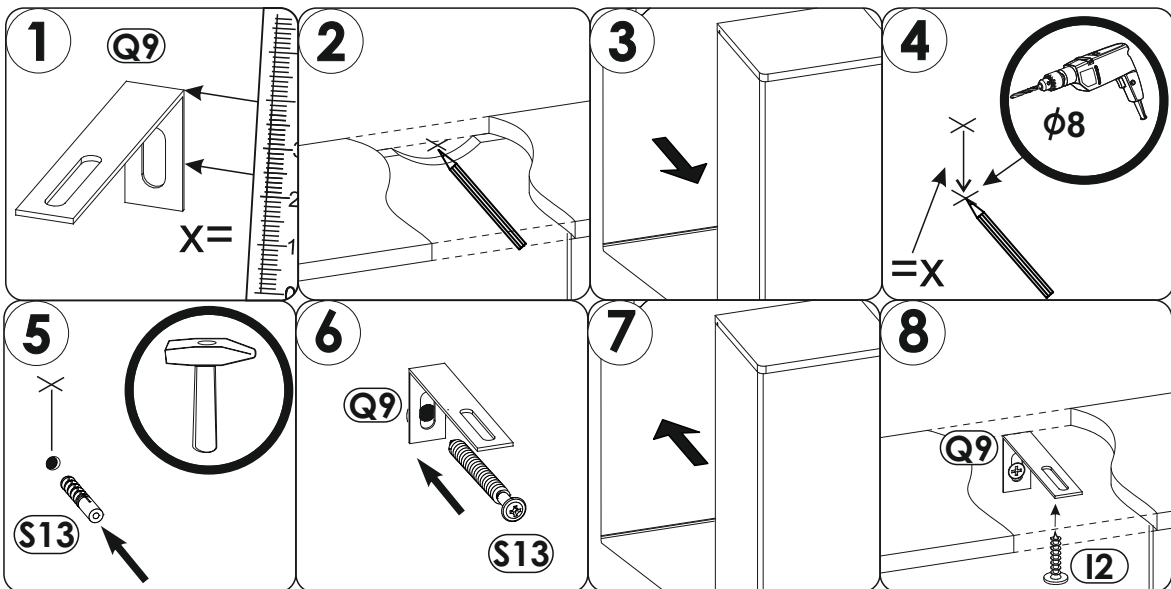
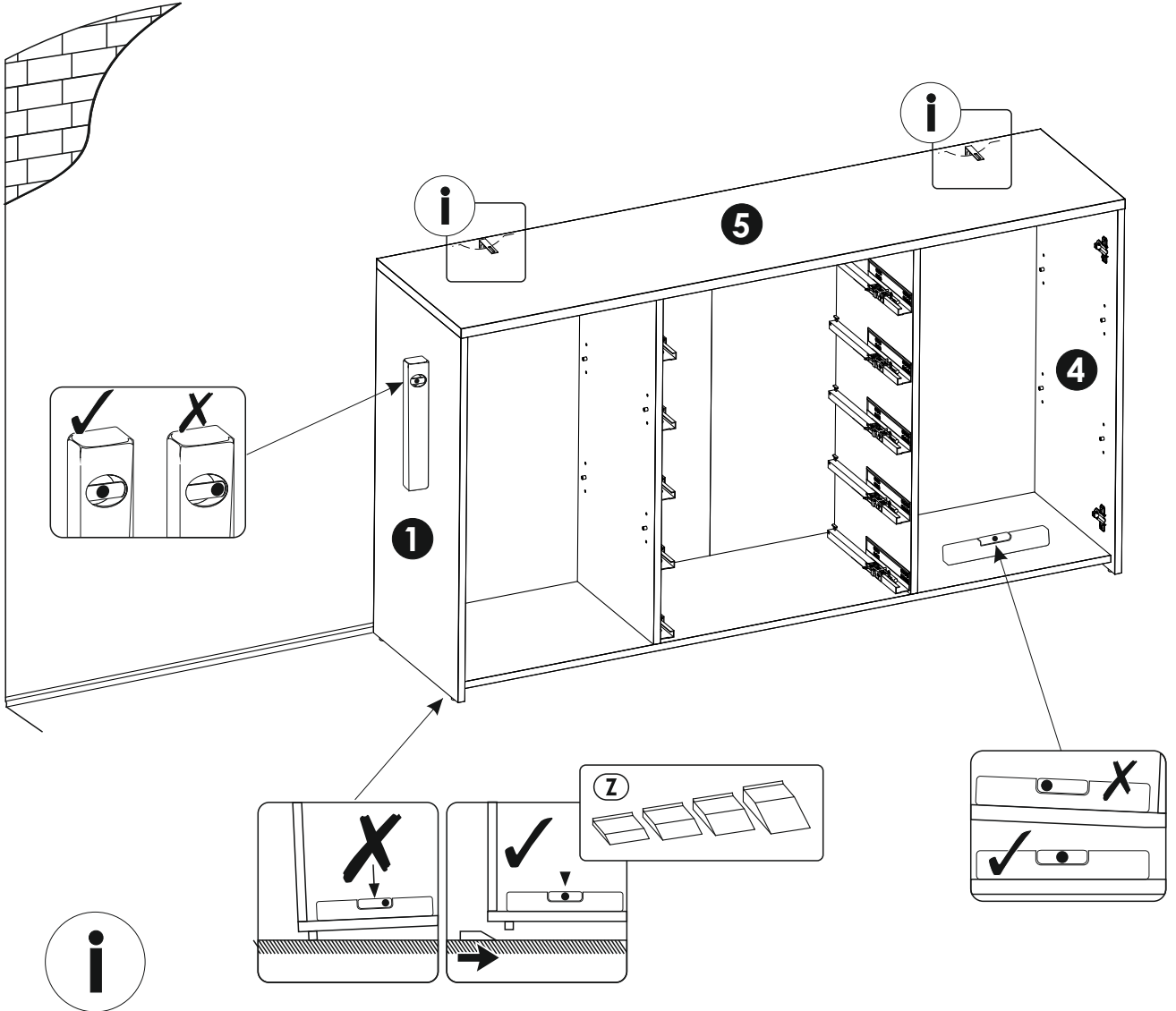
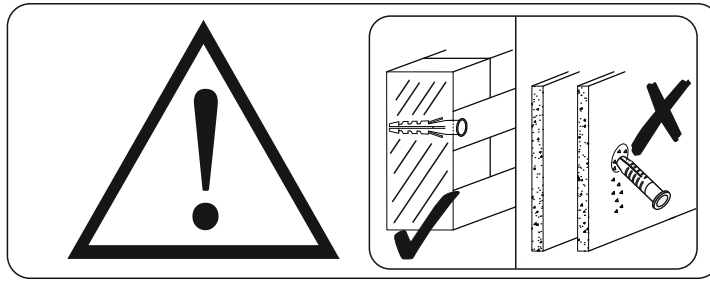
A=B



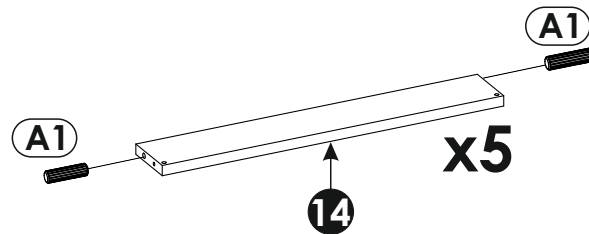
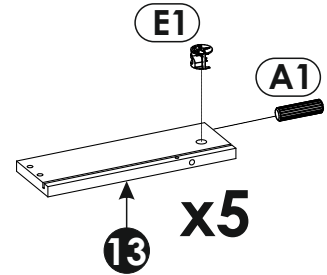
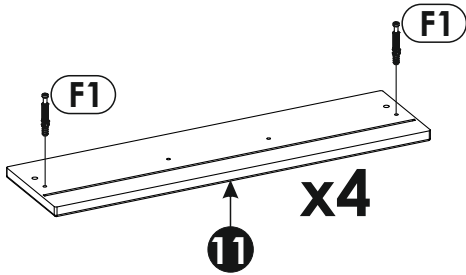
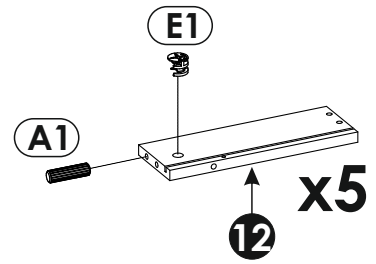
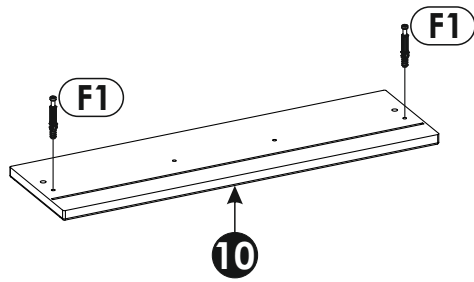
12 ▶



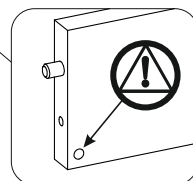
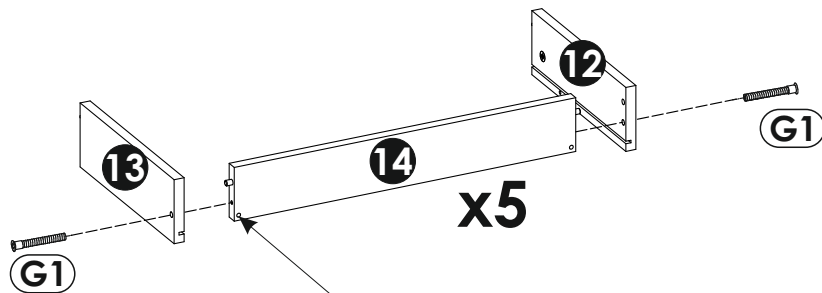
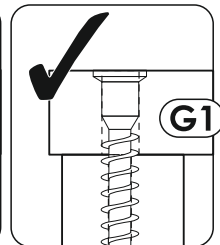
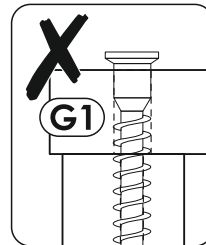
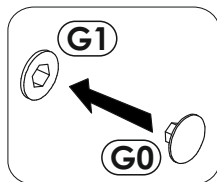
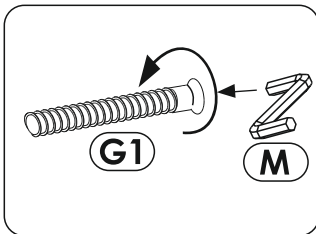
13 ▶



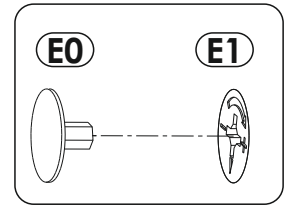
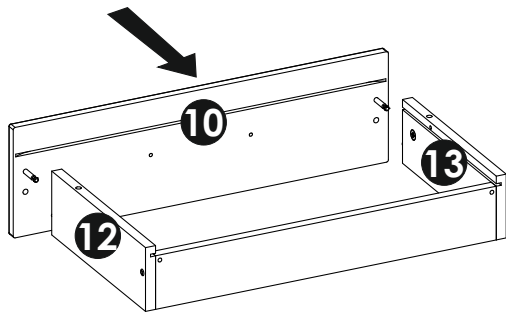
14▶



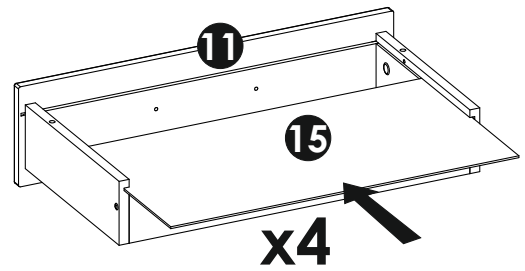
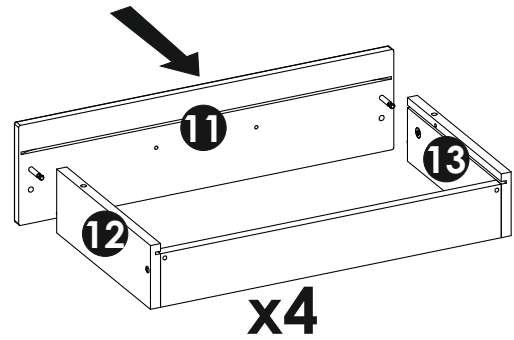
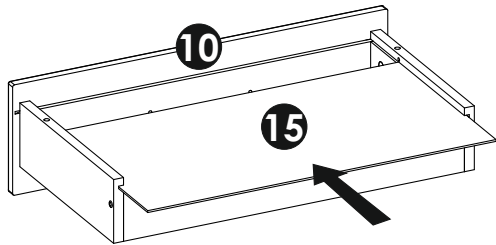
15▶



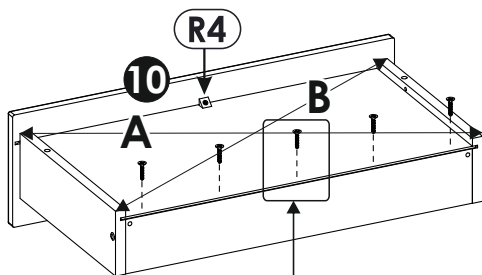
16 ▶



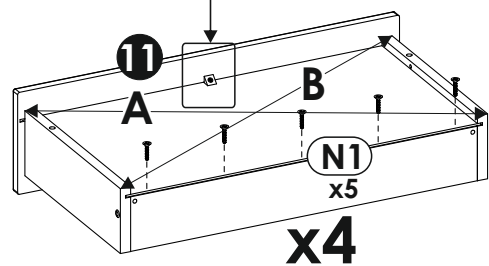
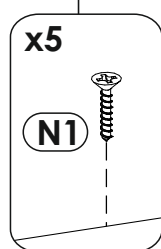
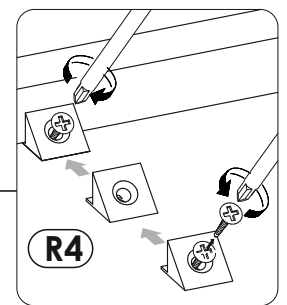
17 ▶



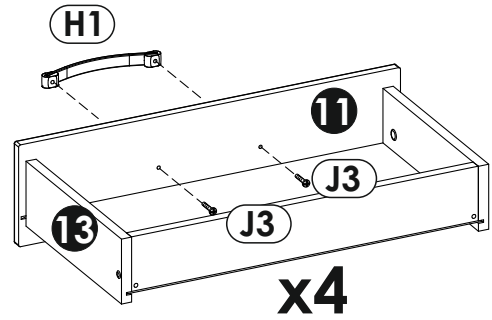
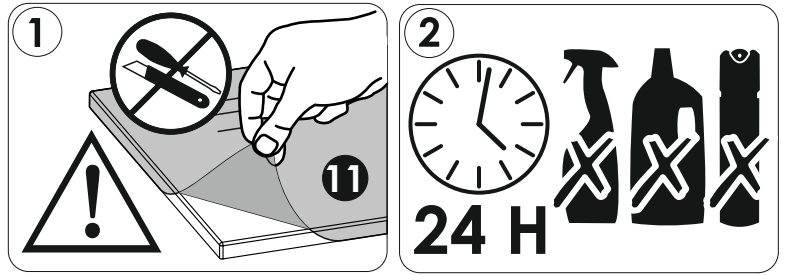
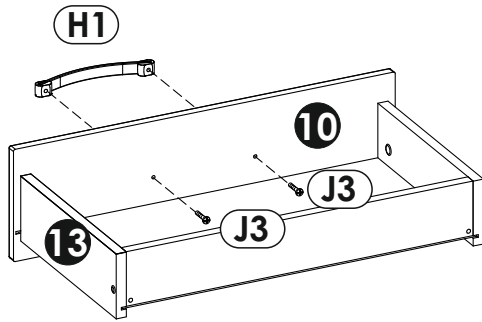
18 ▶



A=B



19 ▶



20 ▶

