
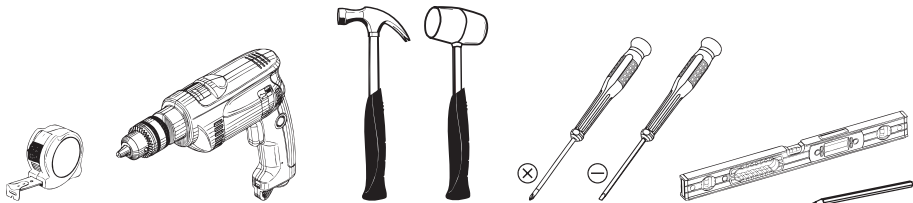




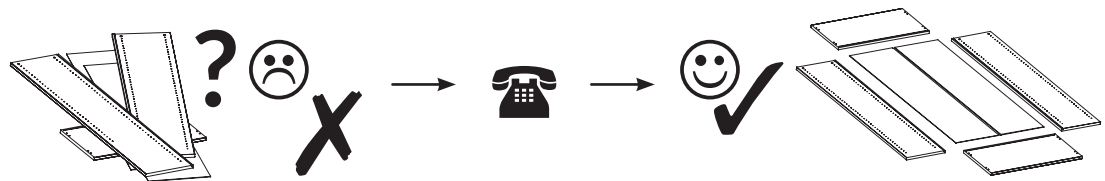

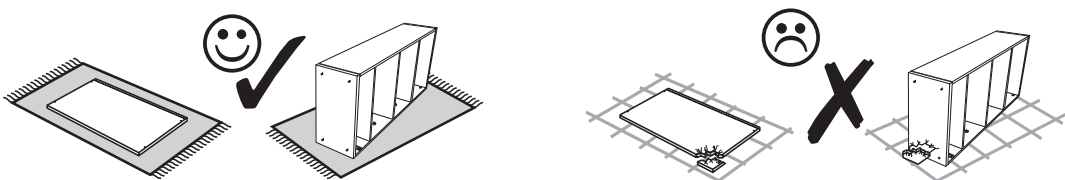
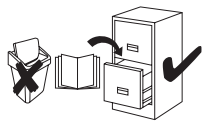
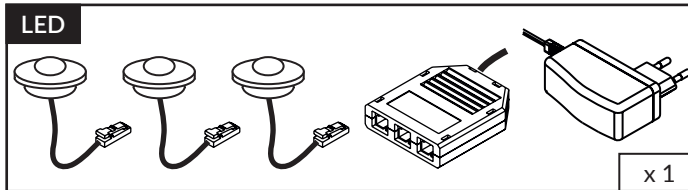
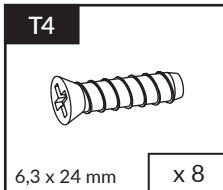
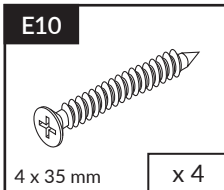
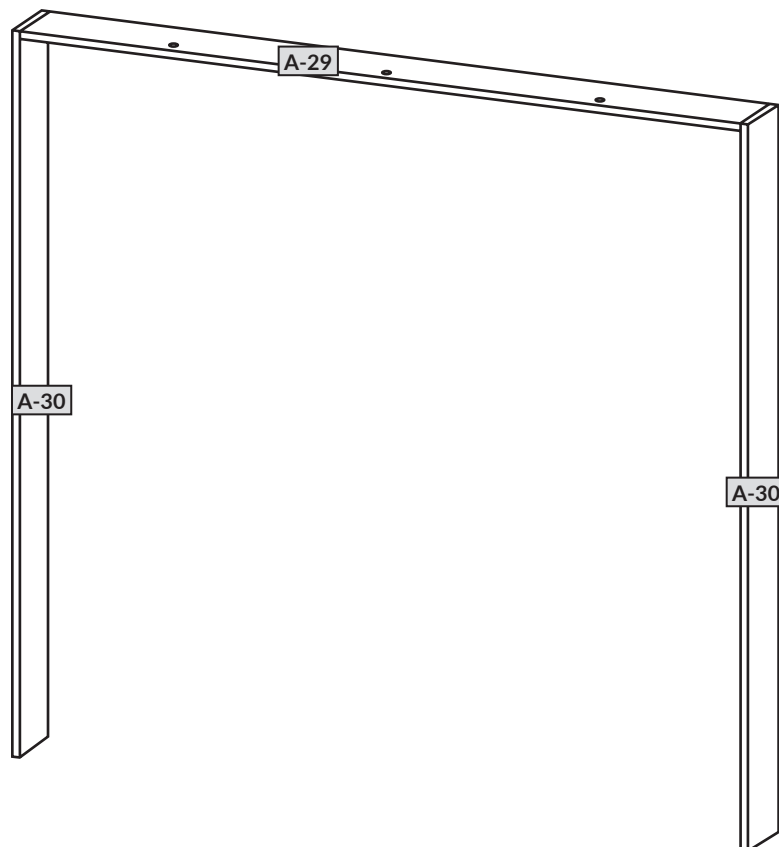
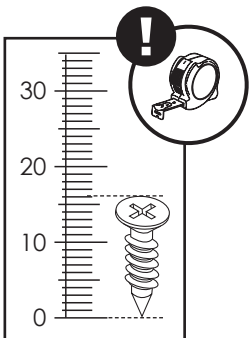


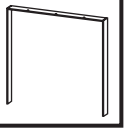
2019-06-27

 <p>1 h</p>		
		
		
		

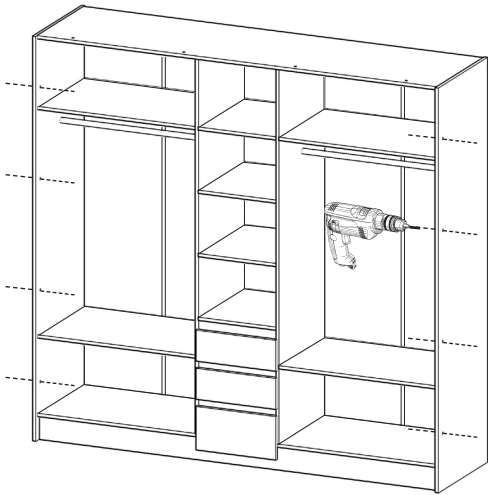
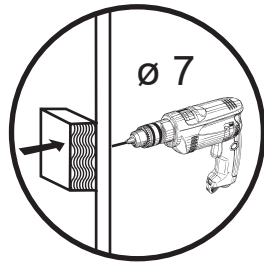


nr	↔ [mm]	↕ [mm]	∅ [mm]	Menge	Colli
A-29	2251	185	22	x 1	1/1
A-30	2152	185	22	x 2	1/1

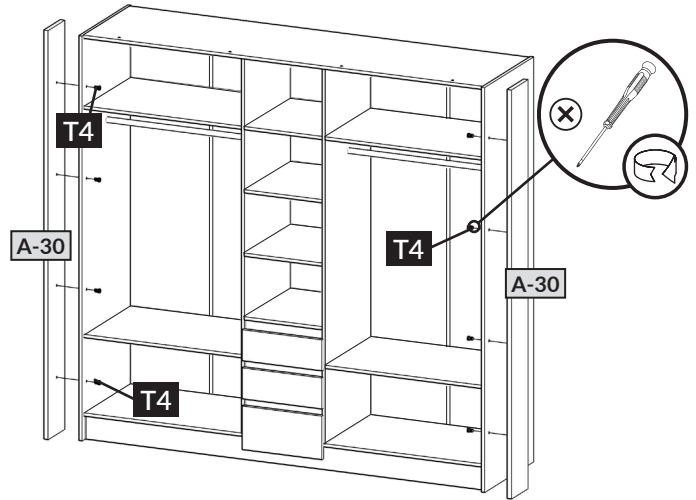
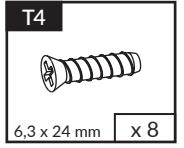
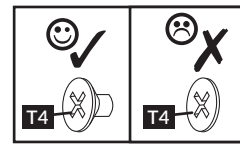




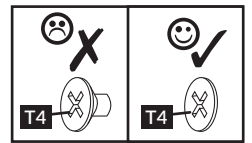
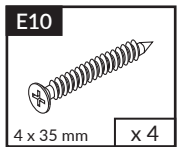
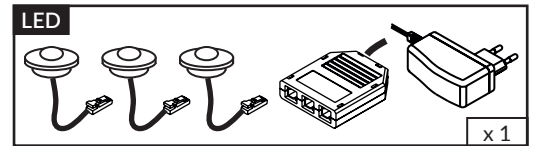
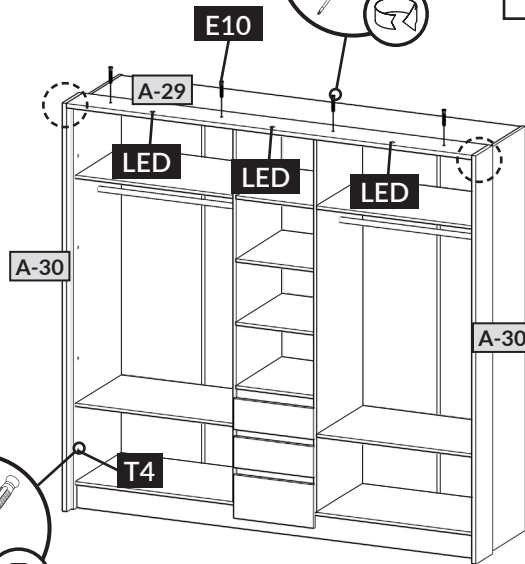
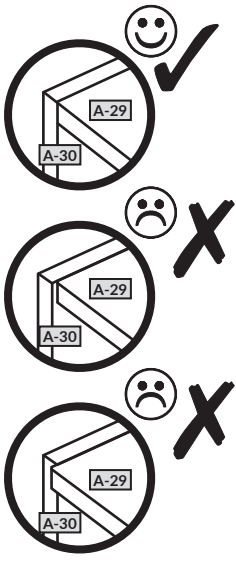
1



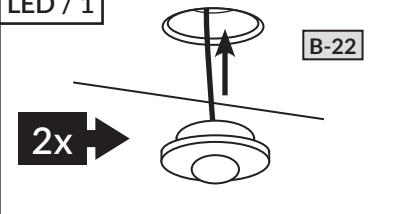
2



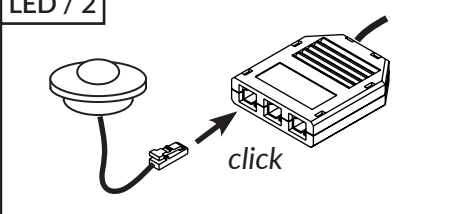
3



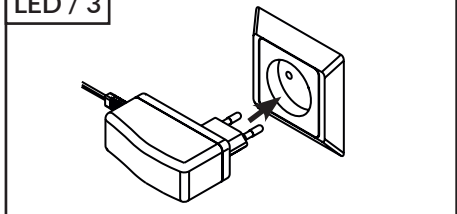
LED / 1

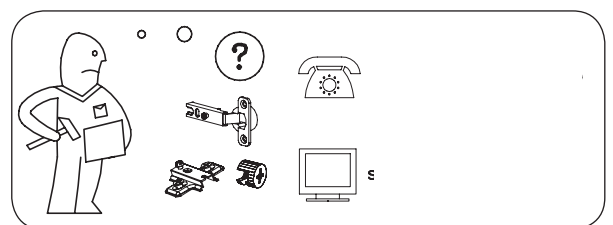
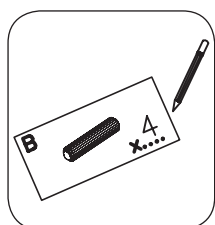
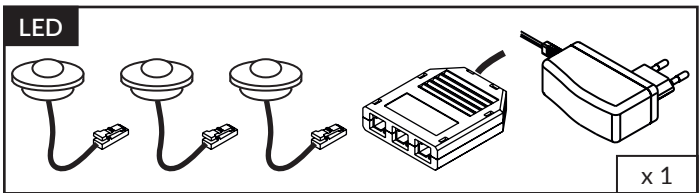
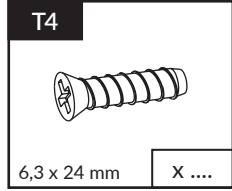
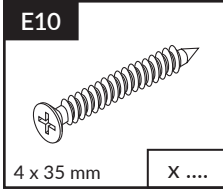


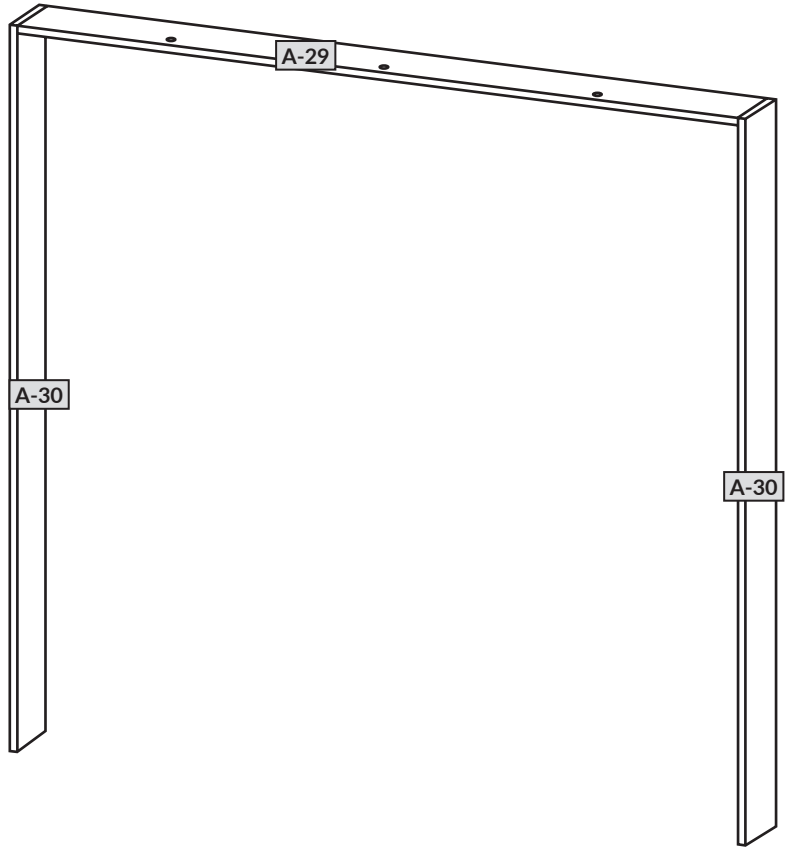
LED / 2



LED / 3







nr	↔ [mm]	↕ [mm]	∅ [mm]	Menge	Colli
A-29	2251	185	22	x 1	1/1
A-30	2152	185	22	x 2	1/1

