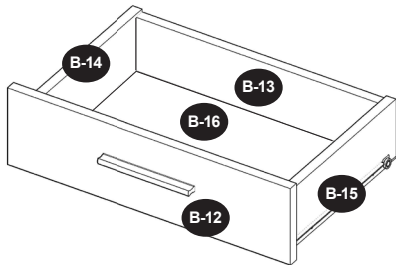
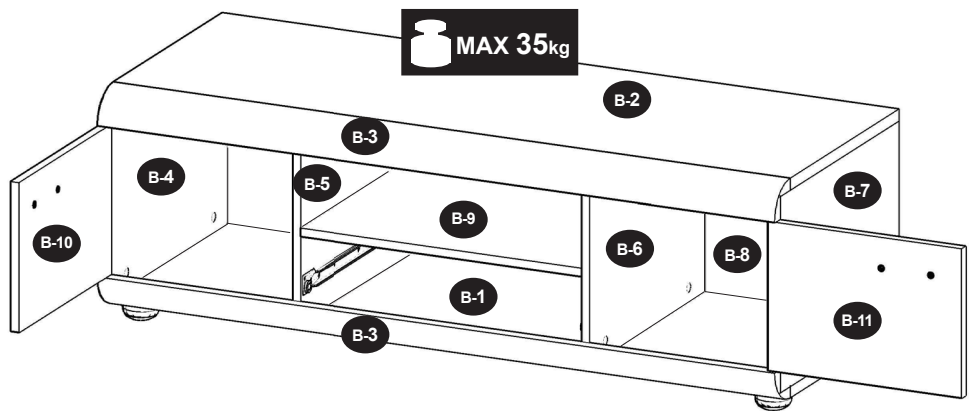
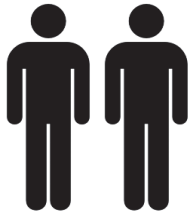
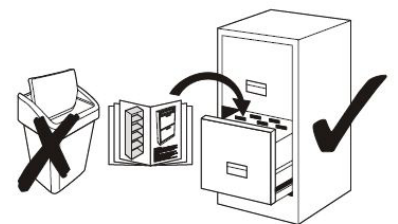
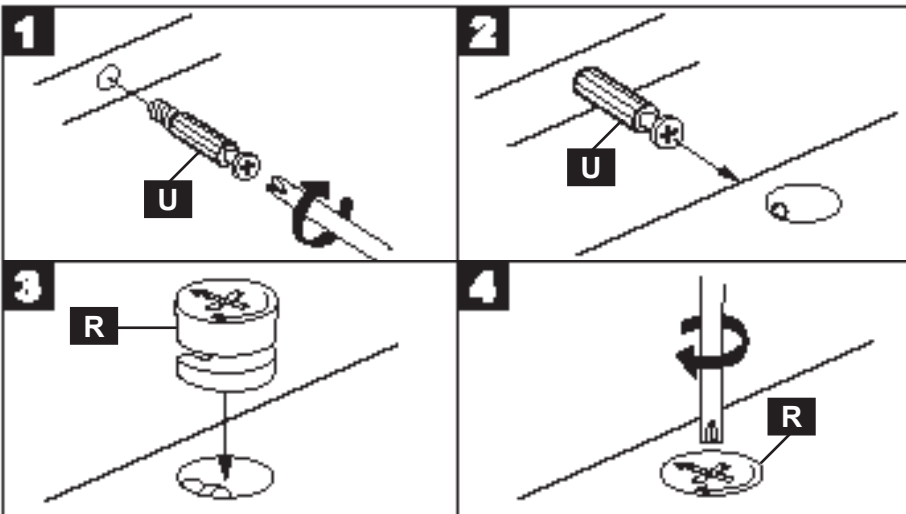
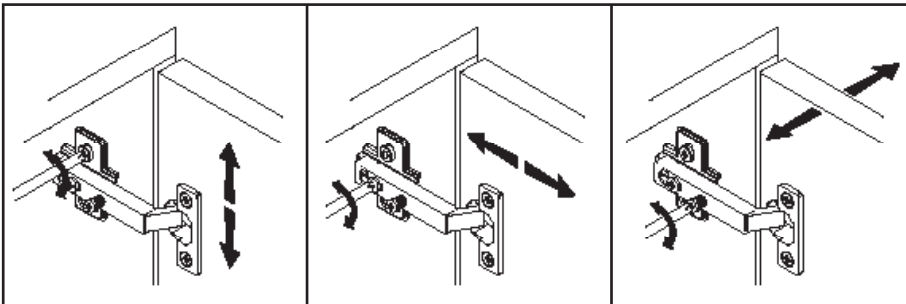
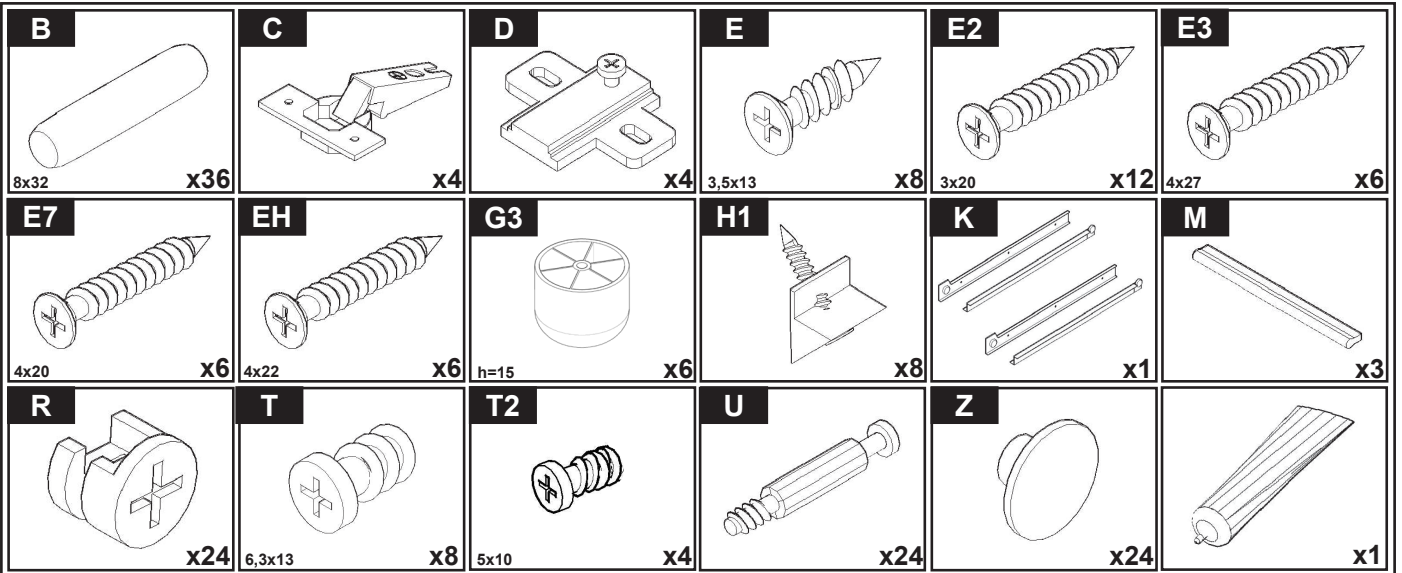


B

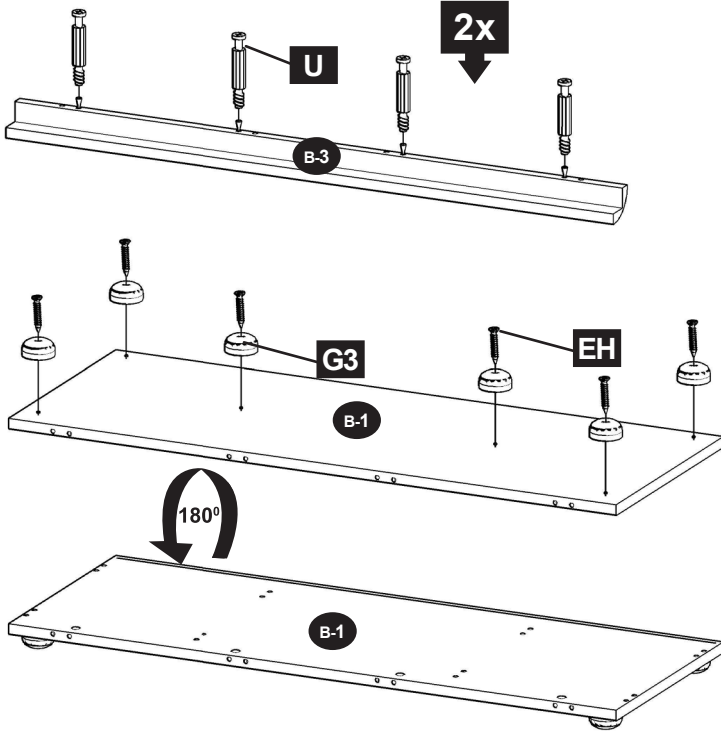
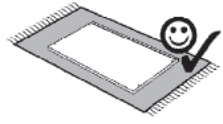
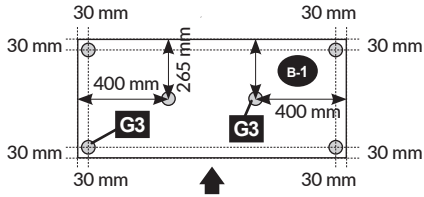


35 min.

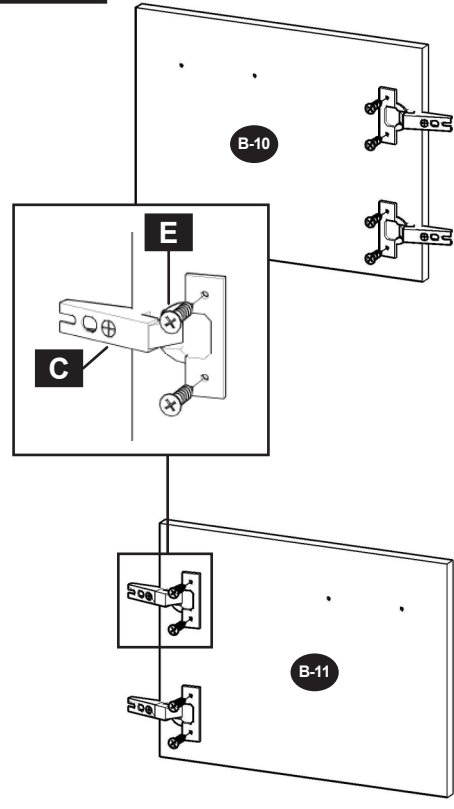




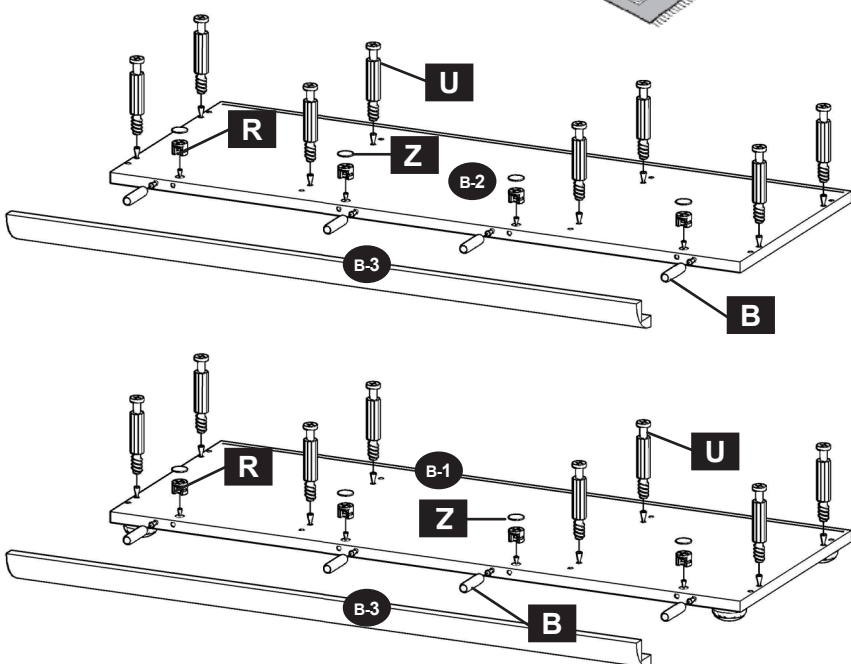
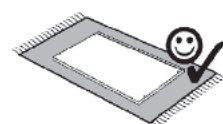
B1/11



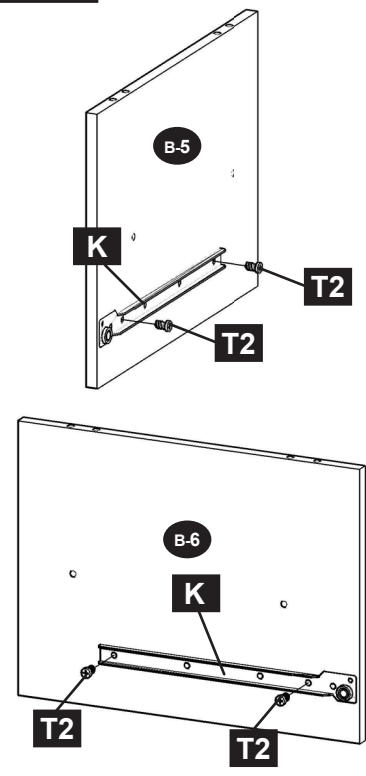
B2/11



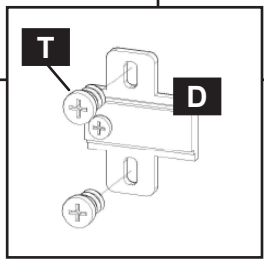
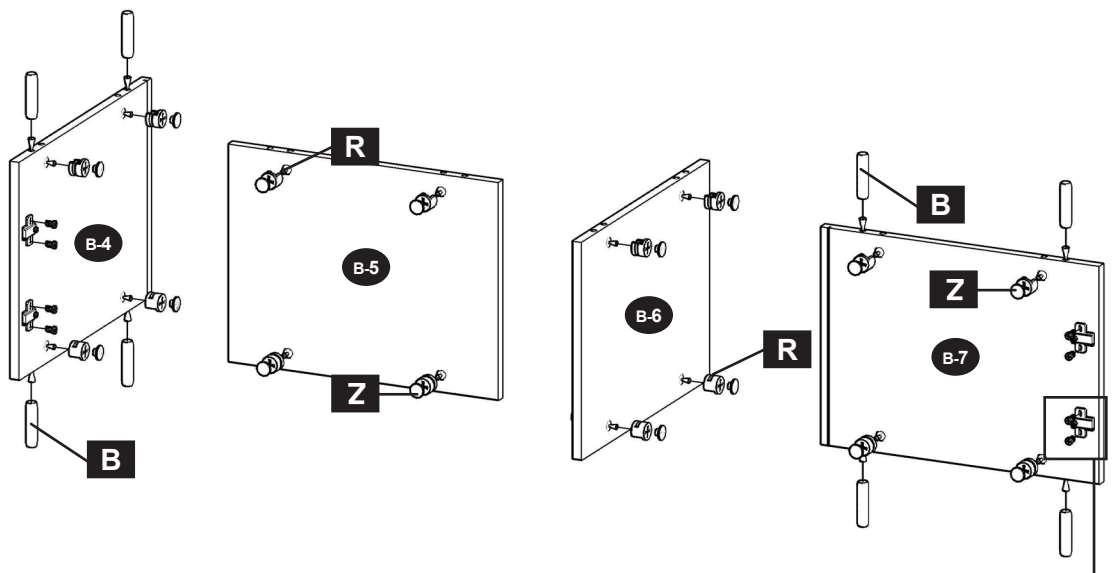
B3/11



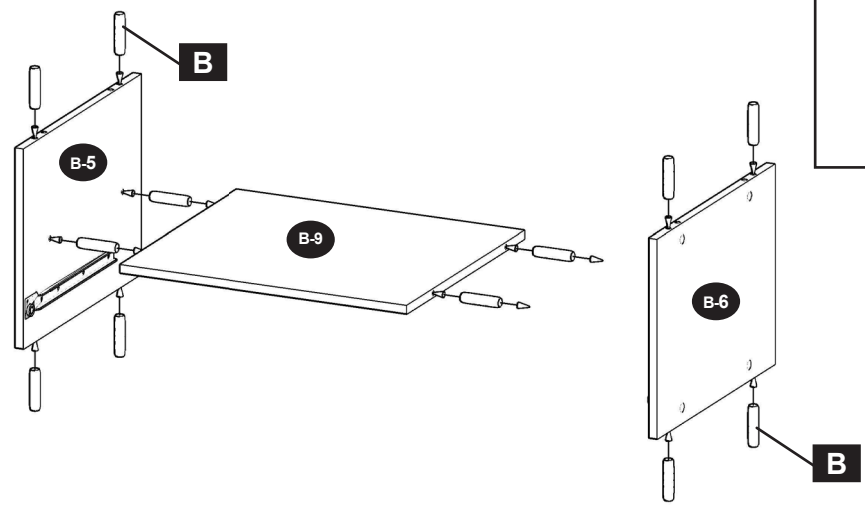
B4/11



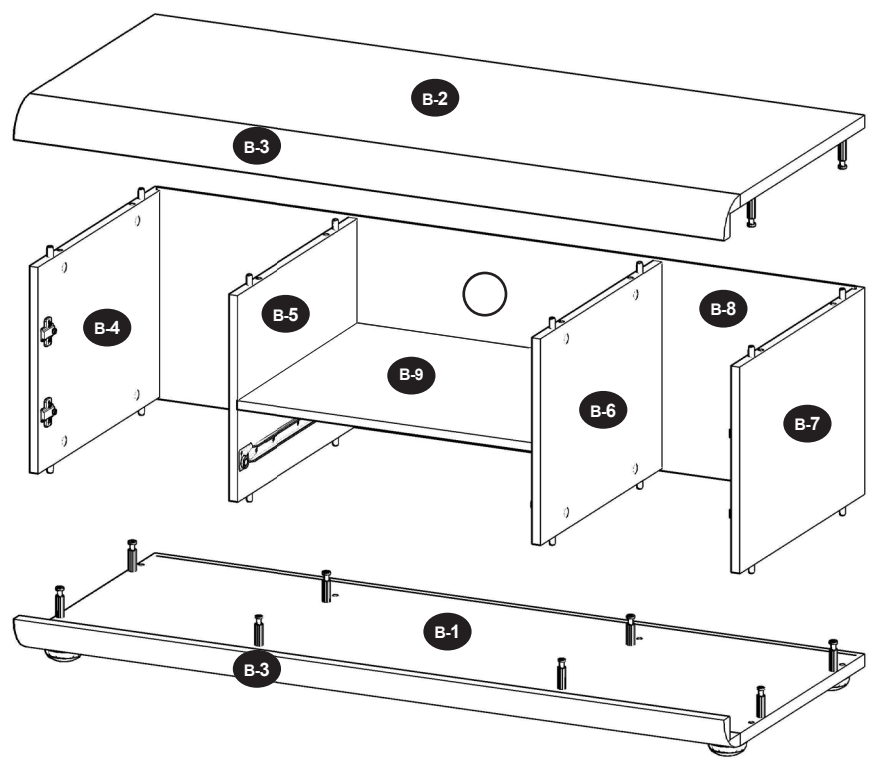
B5/11



B6/11



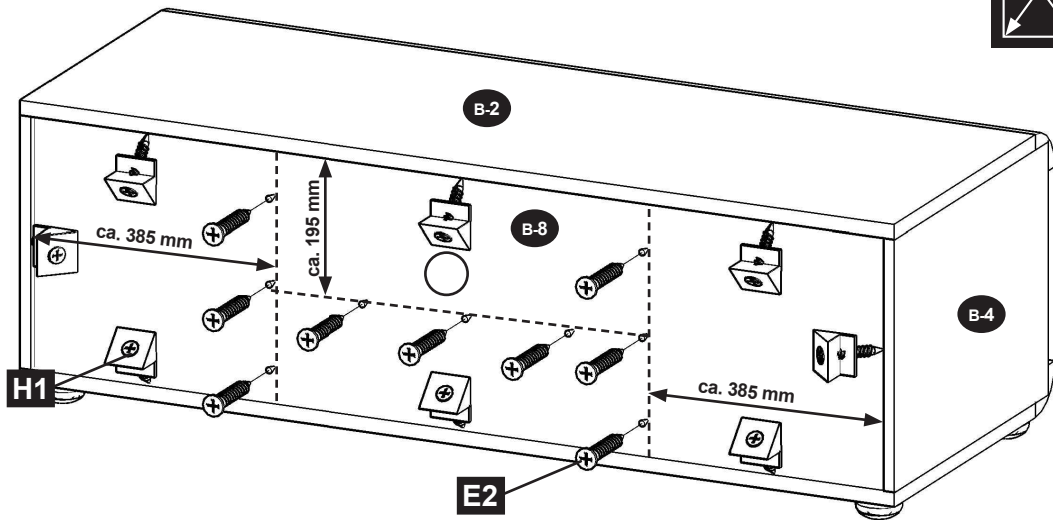
B7/11



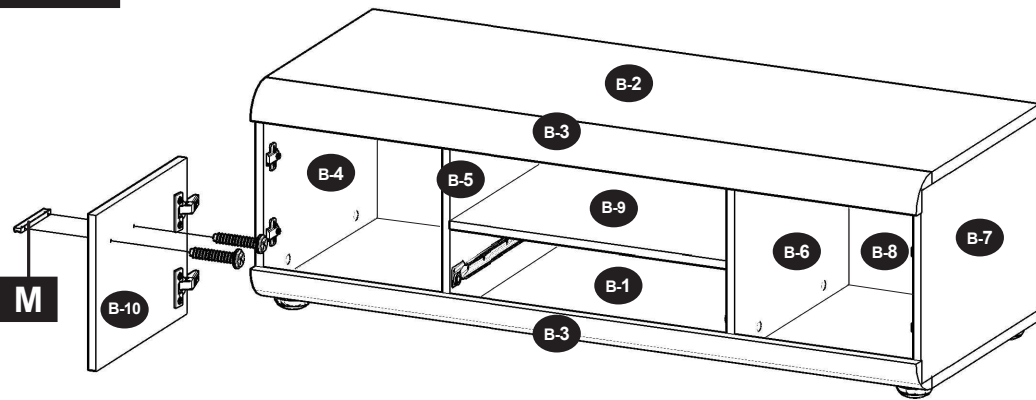
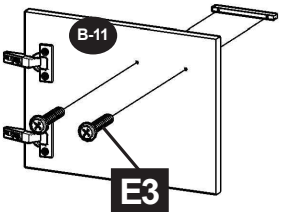
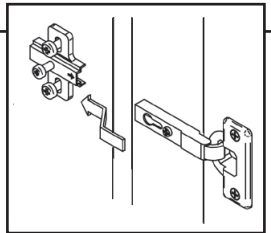
B8/11



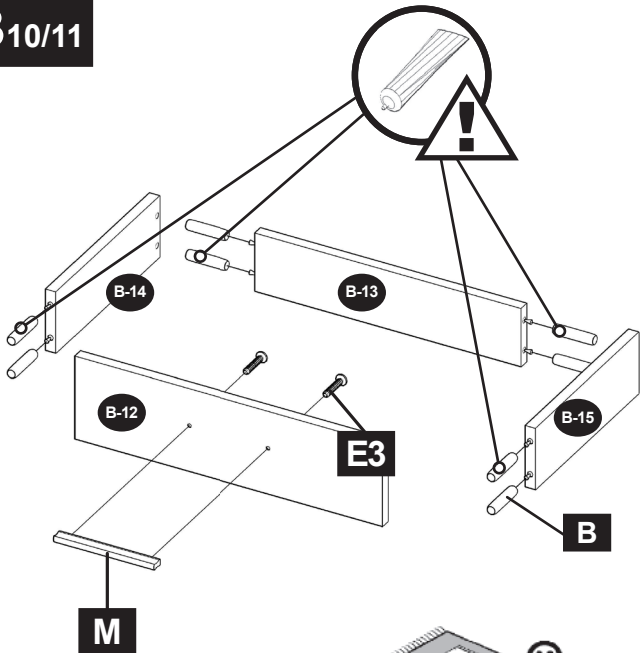
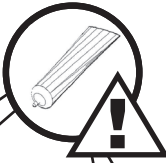
A=B



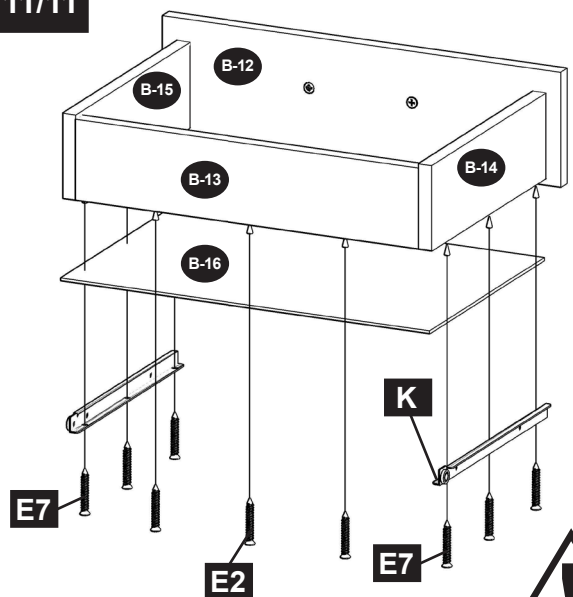
B9/11



B10/11



B11/11

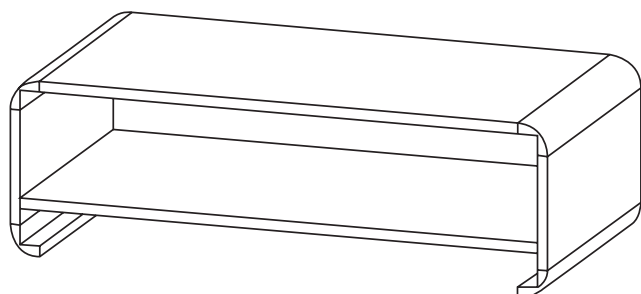


A=B

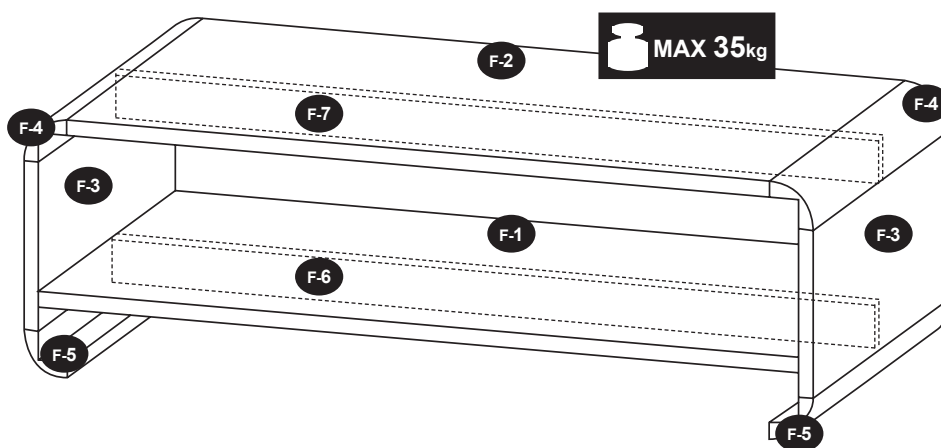
LINK

LINK

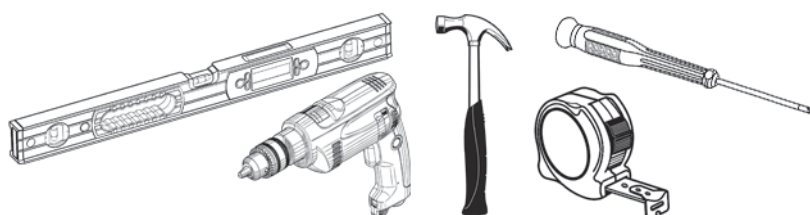
F - 1200 / 380 / 600 [mm]

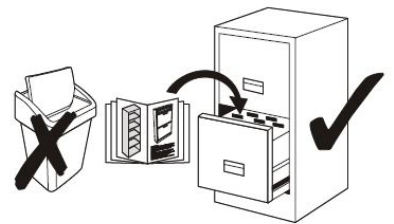
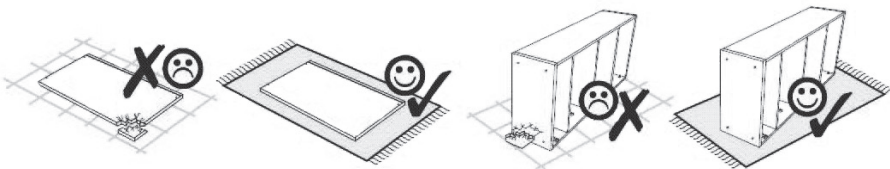
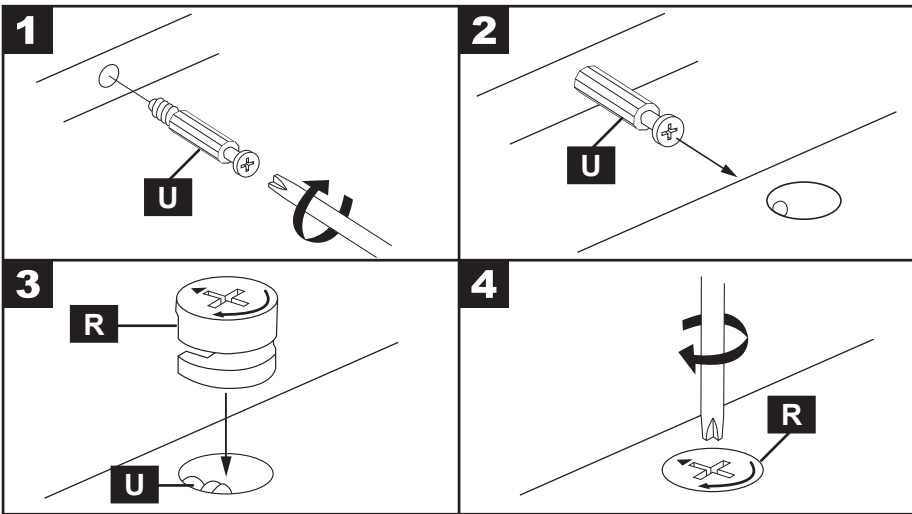
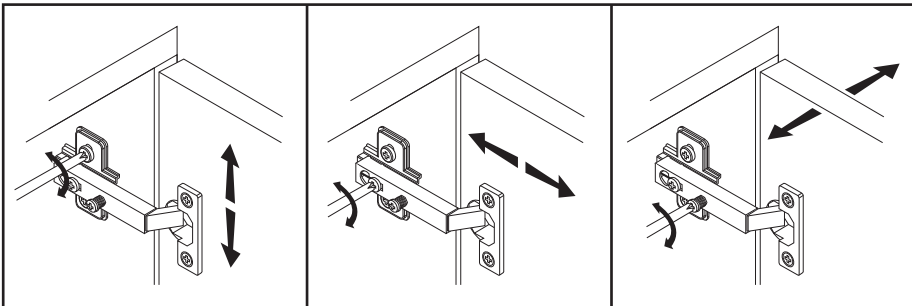
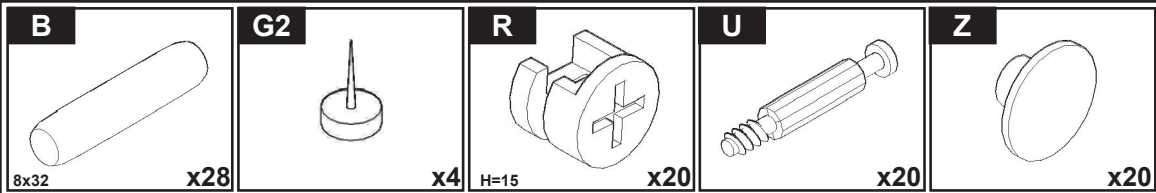


F

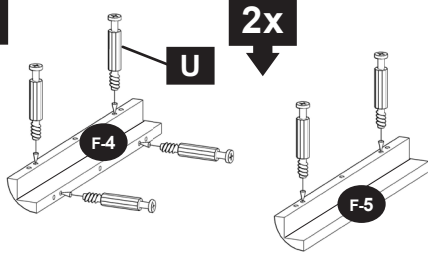


20 min.

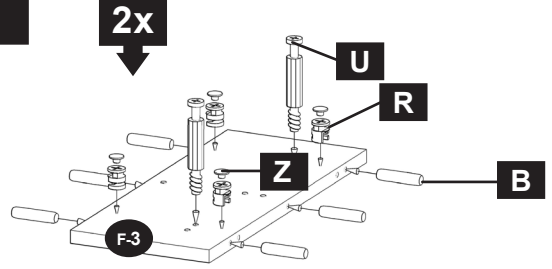




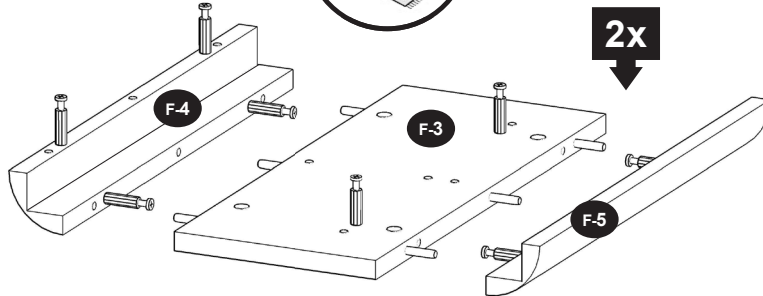
F 1/6



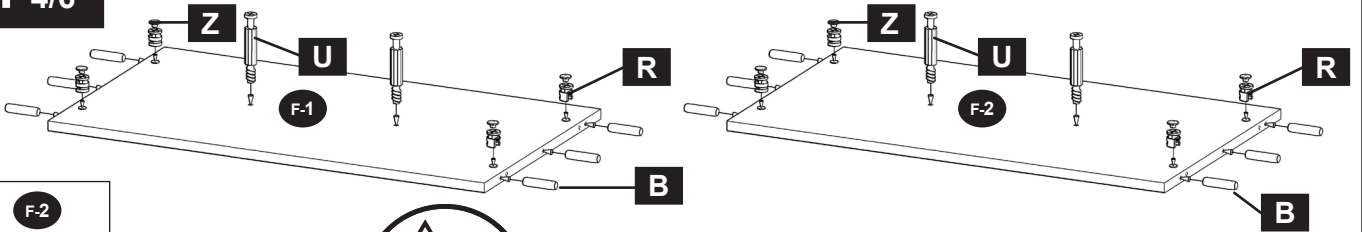
F 2/6



F 3/6



F 4/6

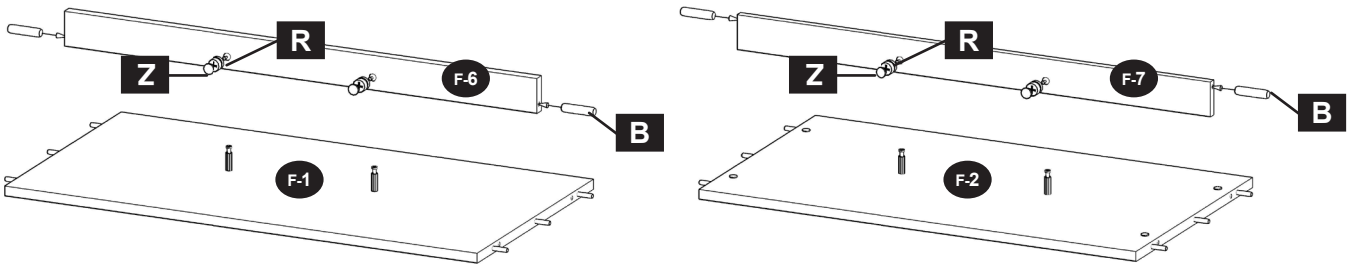


F-2

F-1



F 5/6



F 6/6

