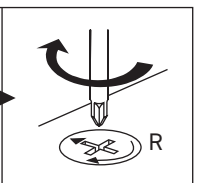
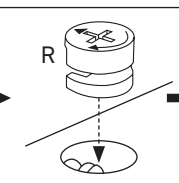
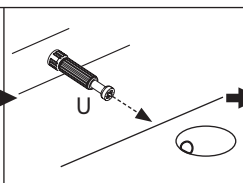
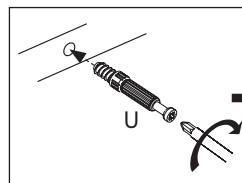
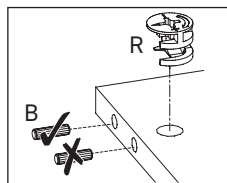
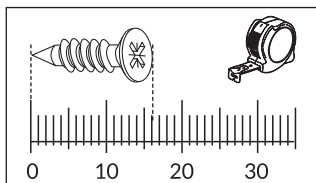
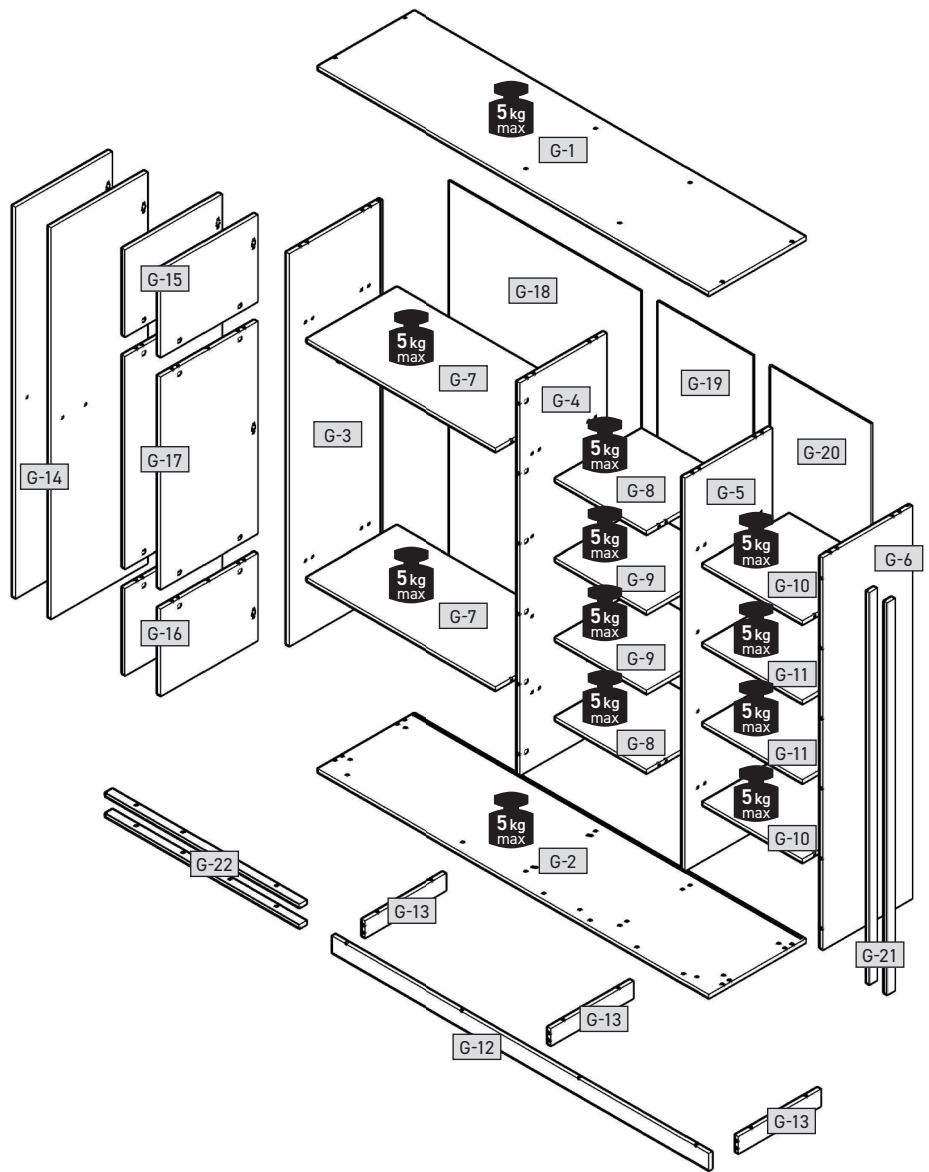
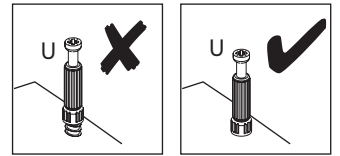
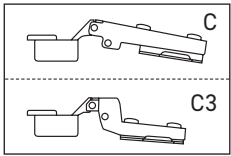
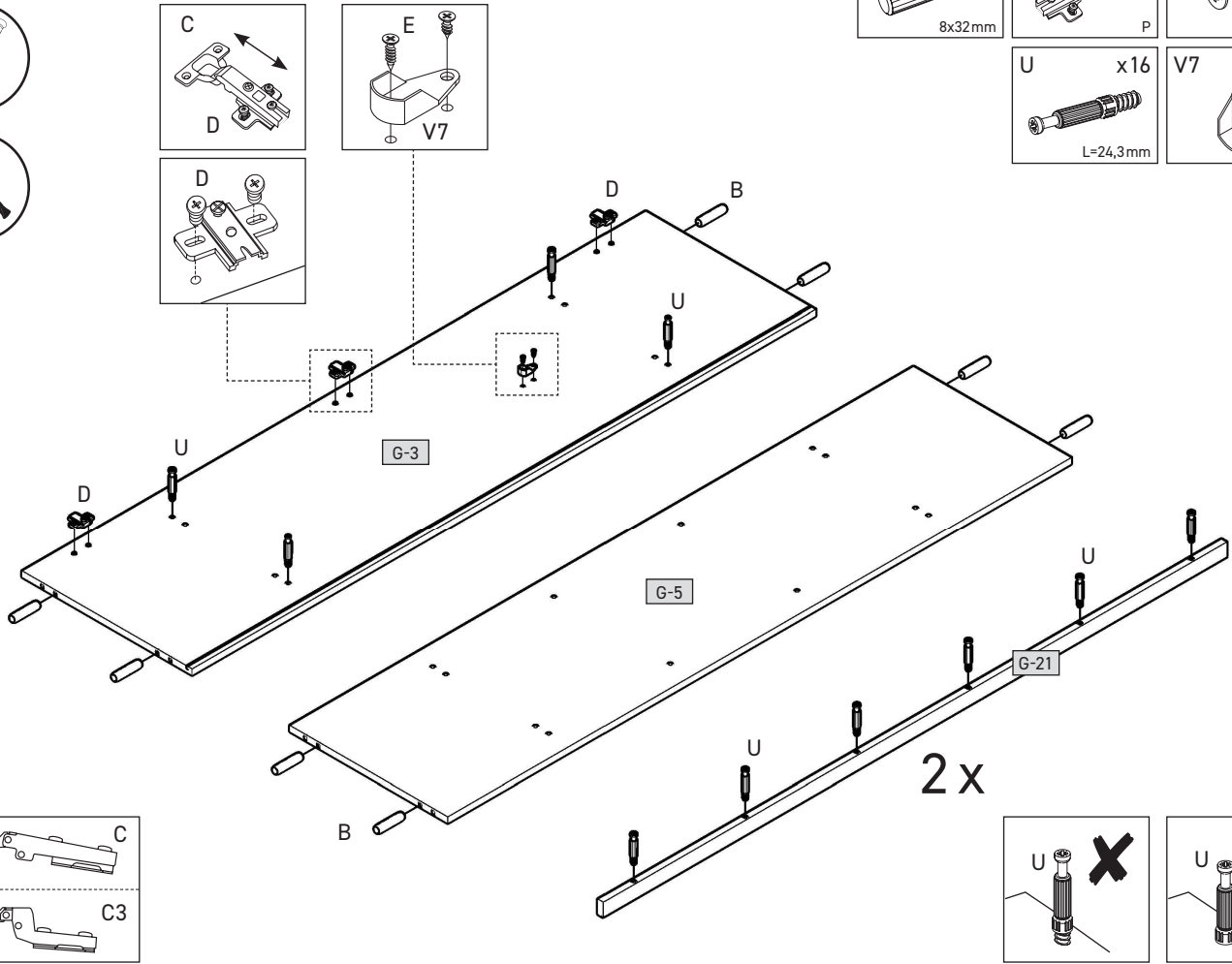
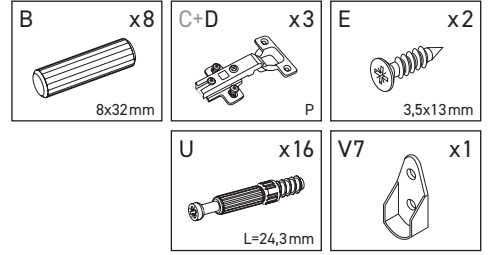
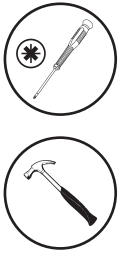


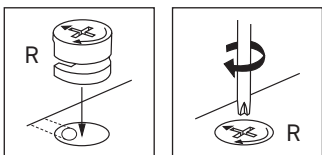
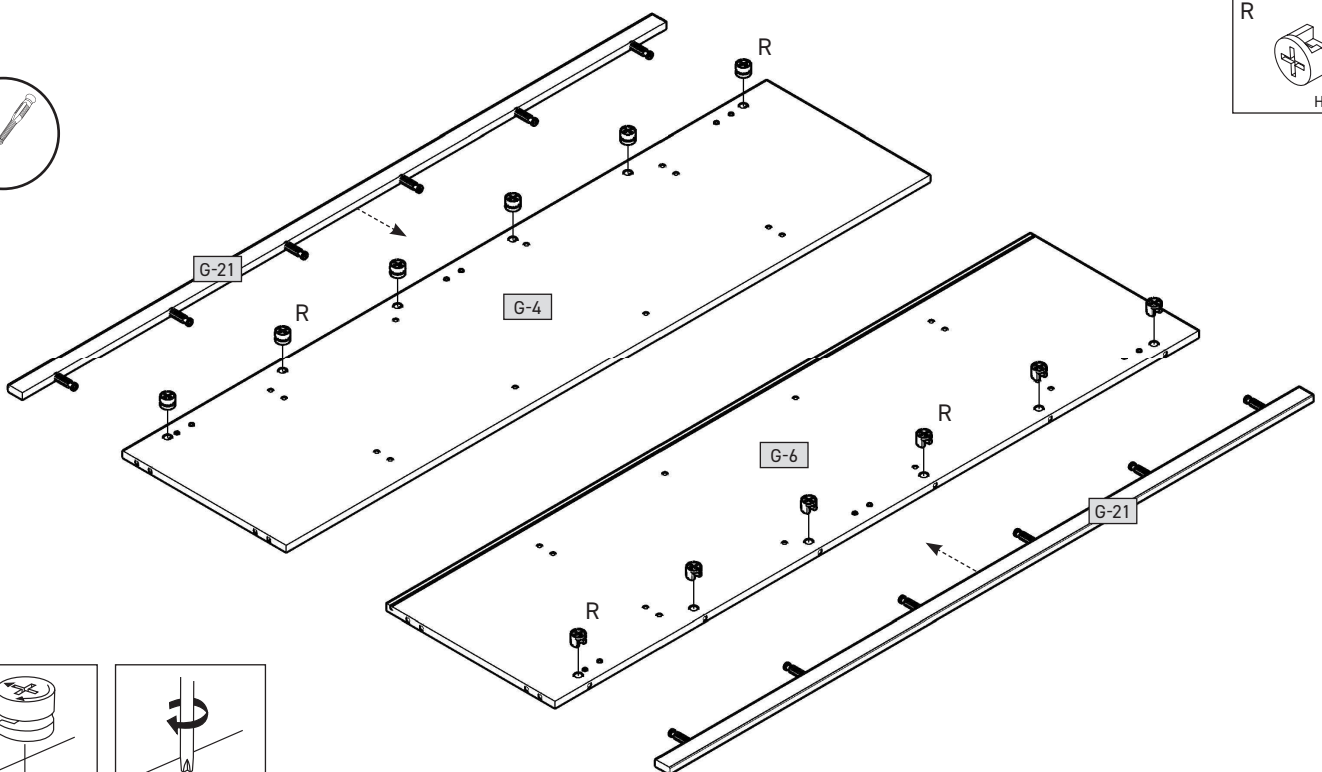
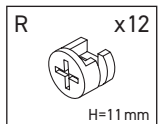
G-1	2200	540	16	x 1	2/4
G-2	2200	540	16	x 1	2/4
G-3	1908	520	16	x 1	1/4
G-4	1908	483	16	x 1	3/4
G-5	1908	483	16	x 1	3/4
G-6	1908	498	16	x 1	1/4
G-7	1066	505	16	x 2	2/4
G-8	512	483	16	x 2	3/4
G-9	512	483	16	x 2	1/4
G-10	557	483	16	x 2	3/4
G-11	557	483	16	x 2	3/4
G-12	2120	80	16	x 1	2/4
G-13	460	80	16	x 3	1/4
G-14	538	1902	16	x 2	4/4
G-15	538	420	16	x 2	4/4
G-16	538	420	16	x 2	4/4
G-17	538	1030	16	x 2	4/4
G-18	1082	1922	3	x 1	1/4
G-19	528	1922	3	x 1	1/4
G-20	572	1922	3	x 1	2/4
G-21	1908	40	16	x 2	2/4
G-22	1085	38	16	x 2	2/4



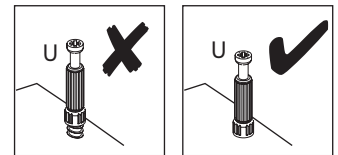
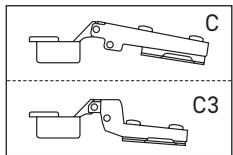
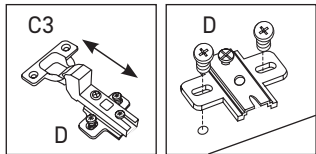
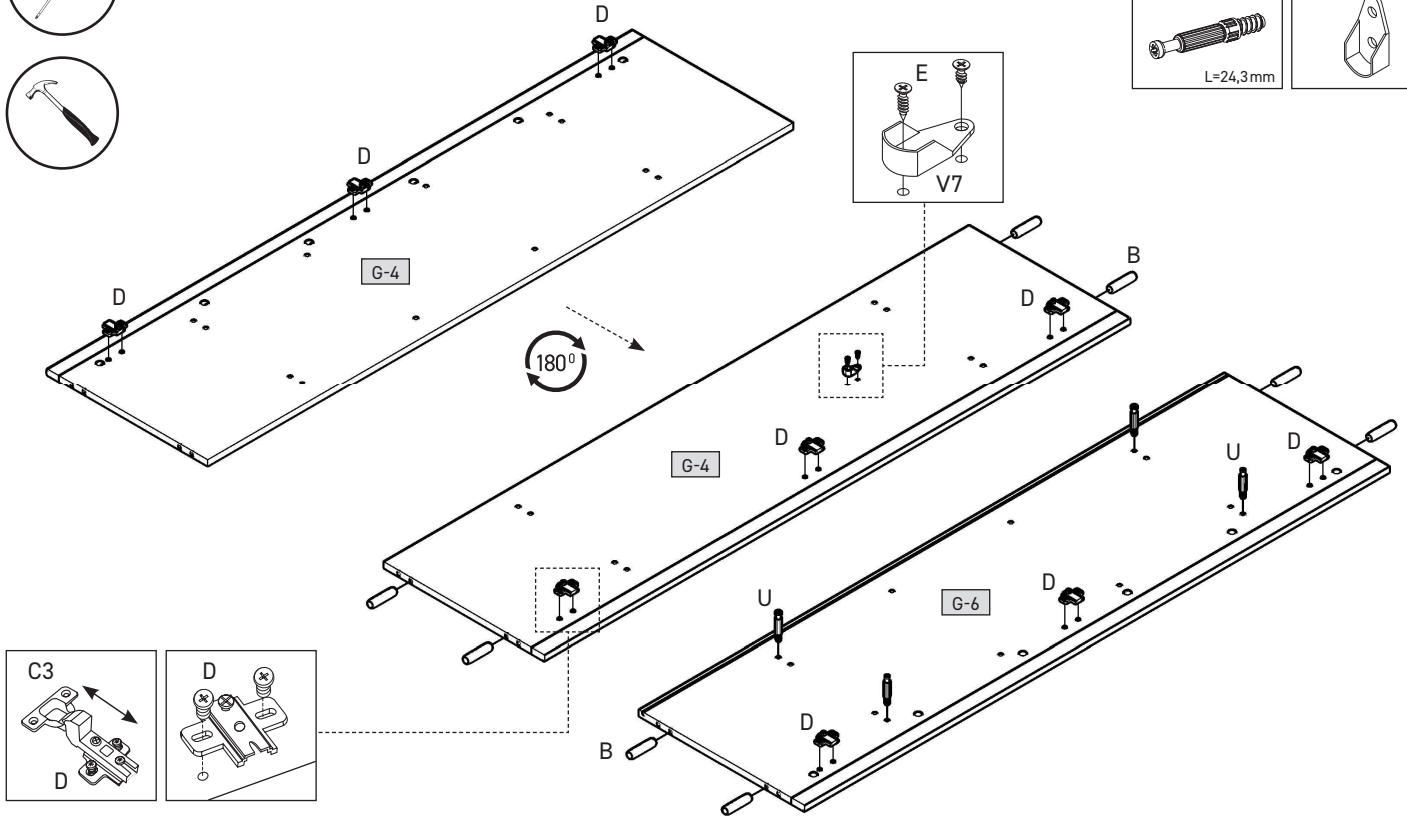
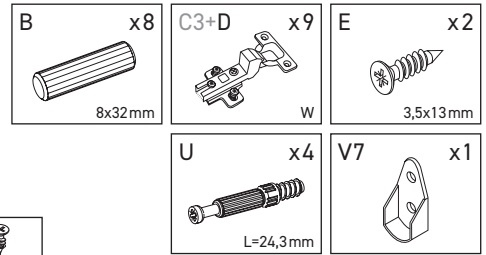
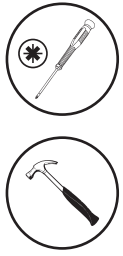
1



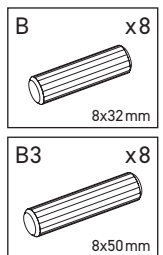
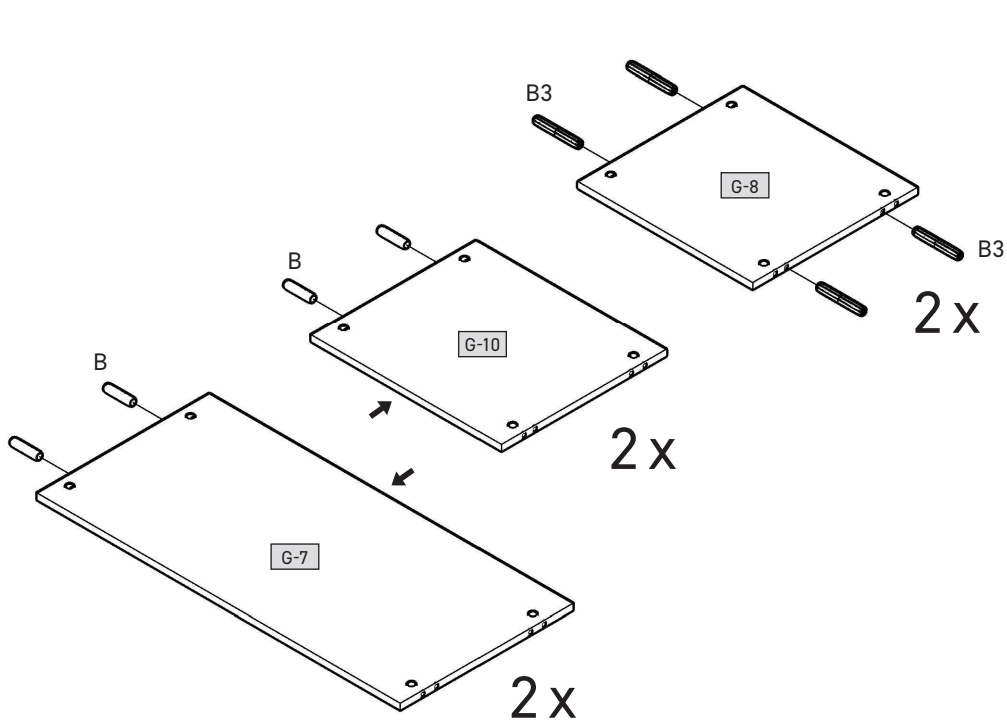
2



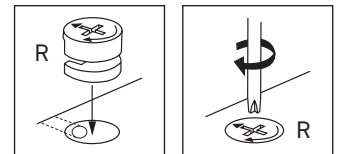
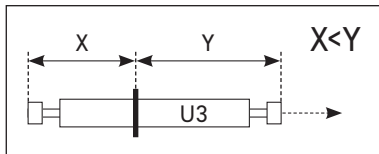
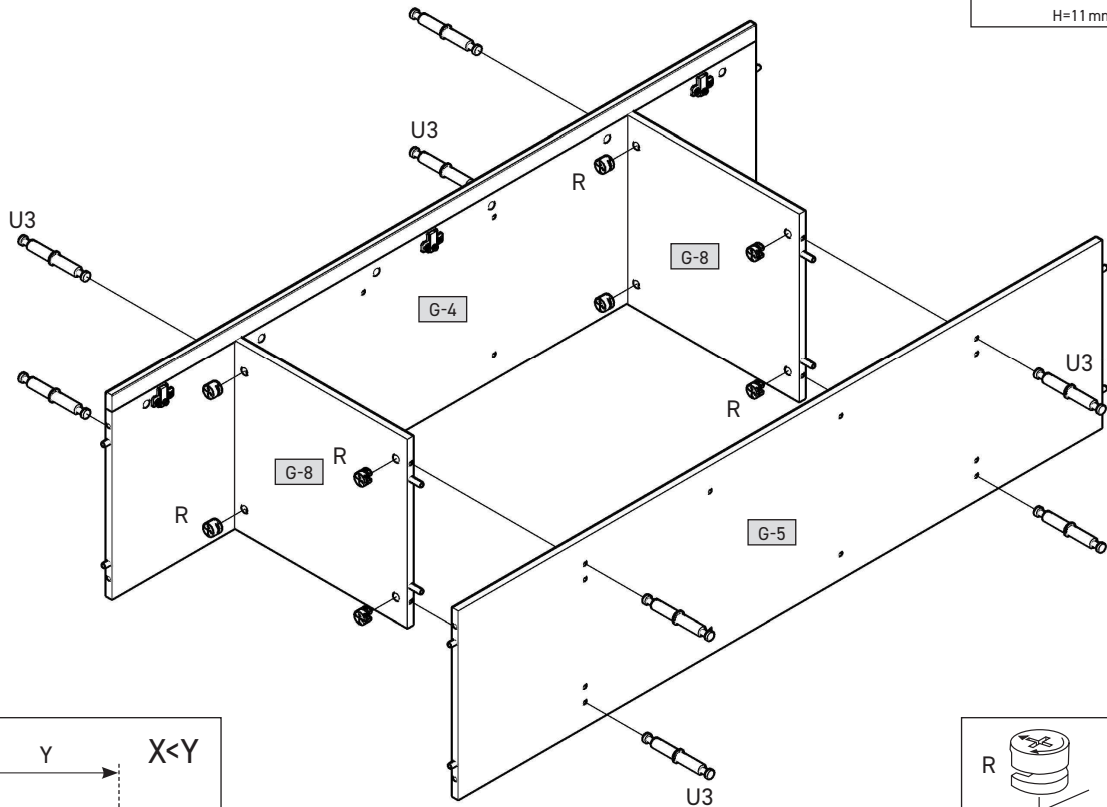
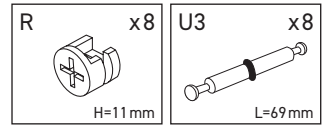
3



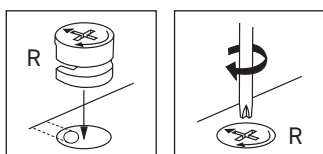
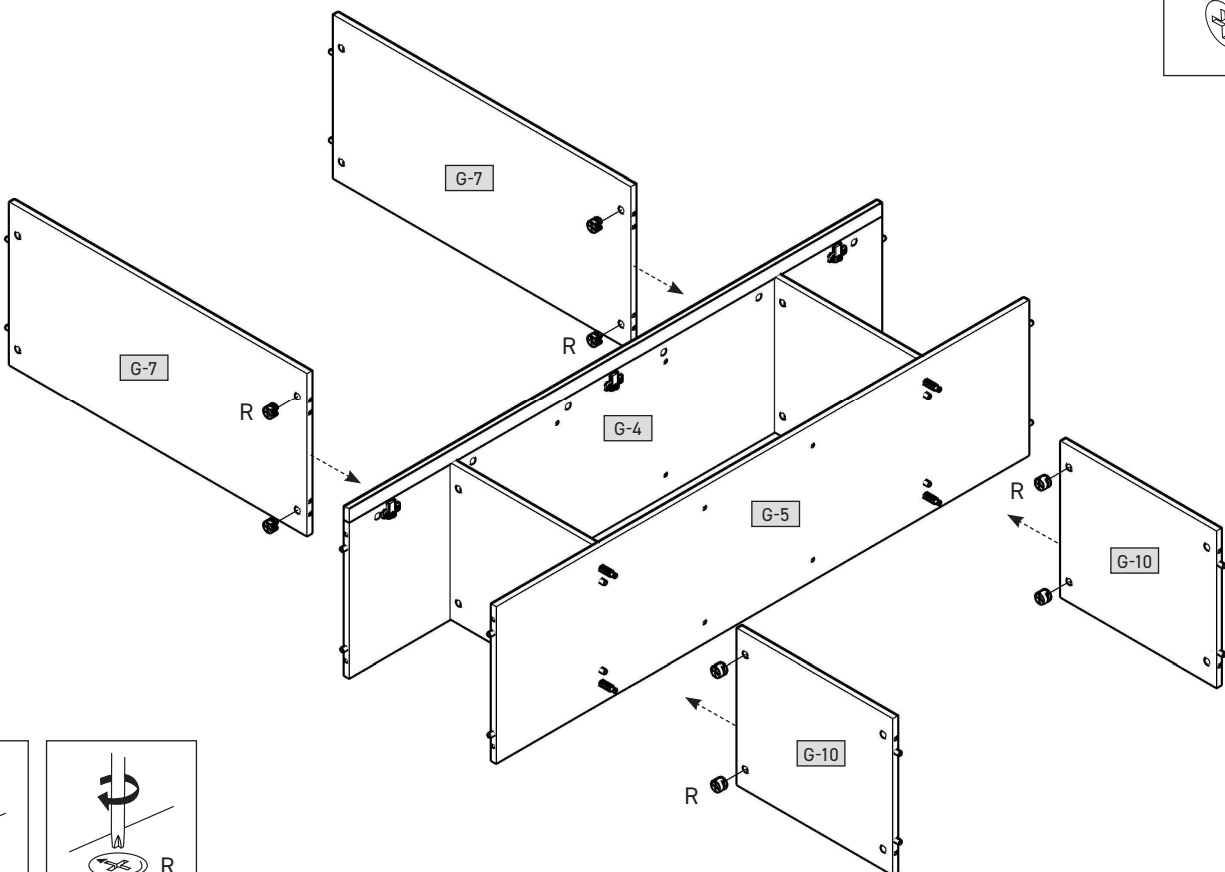
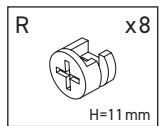
4



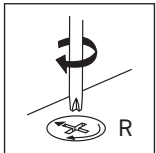
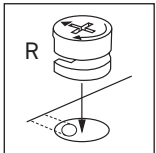
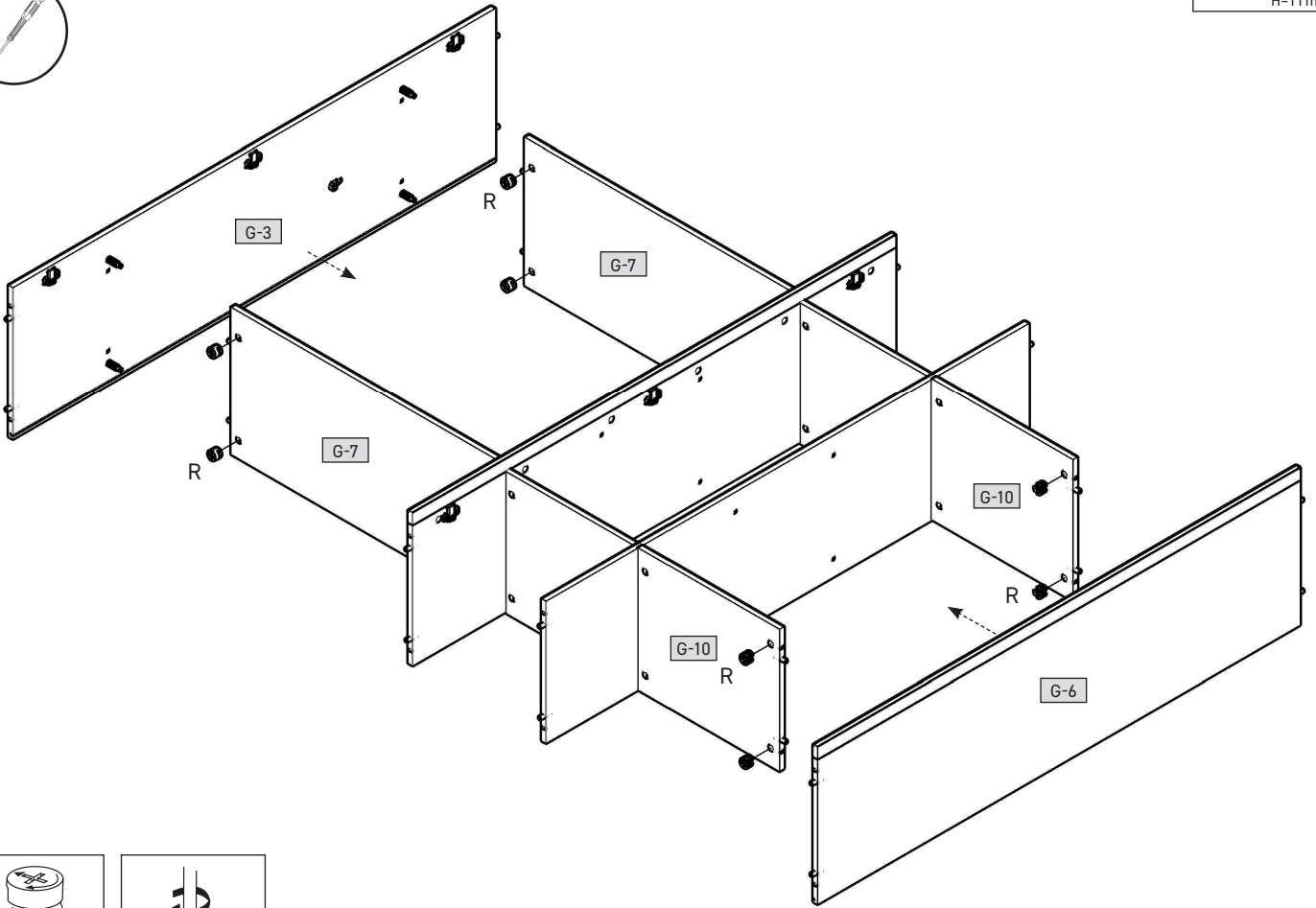
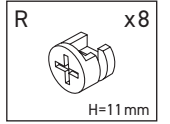
5



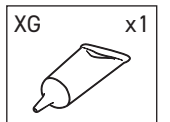
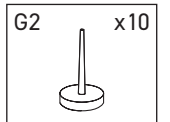
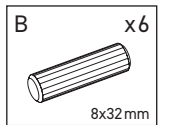
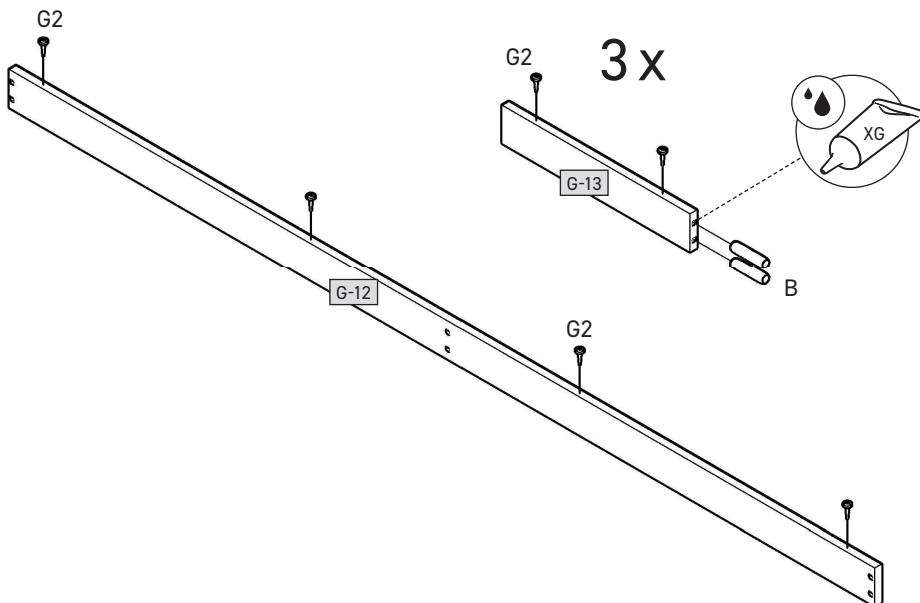
6



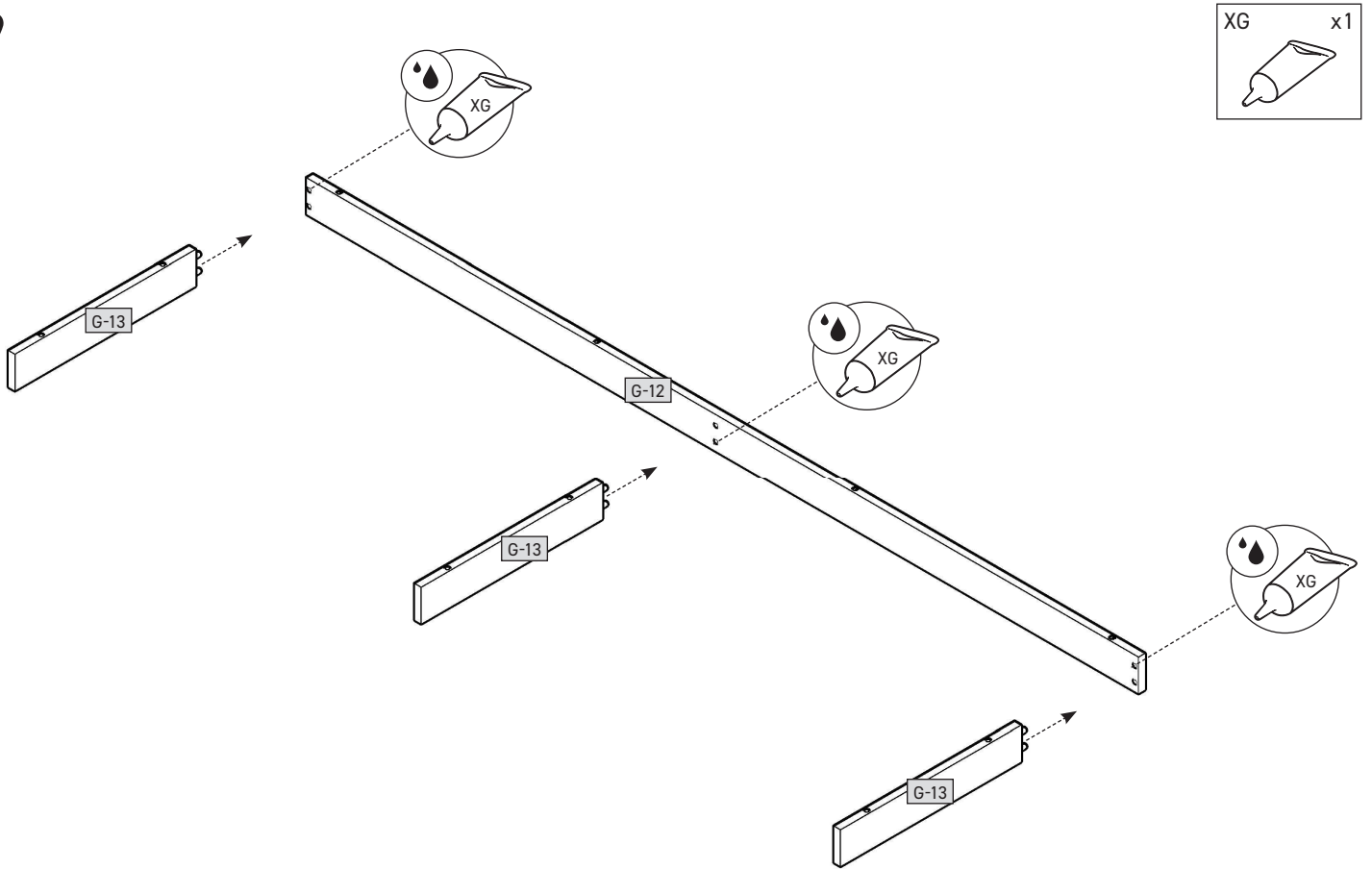
7



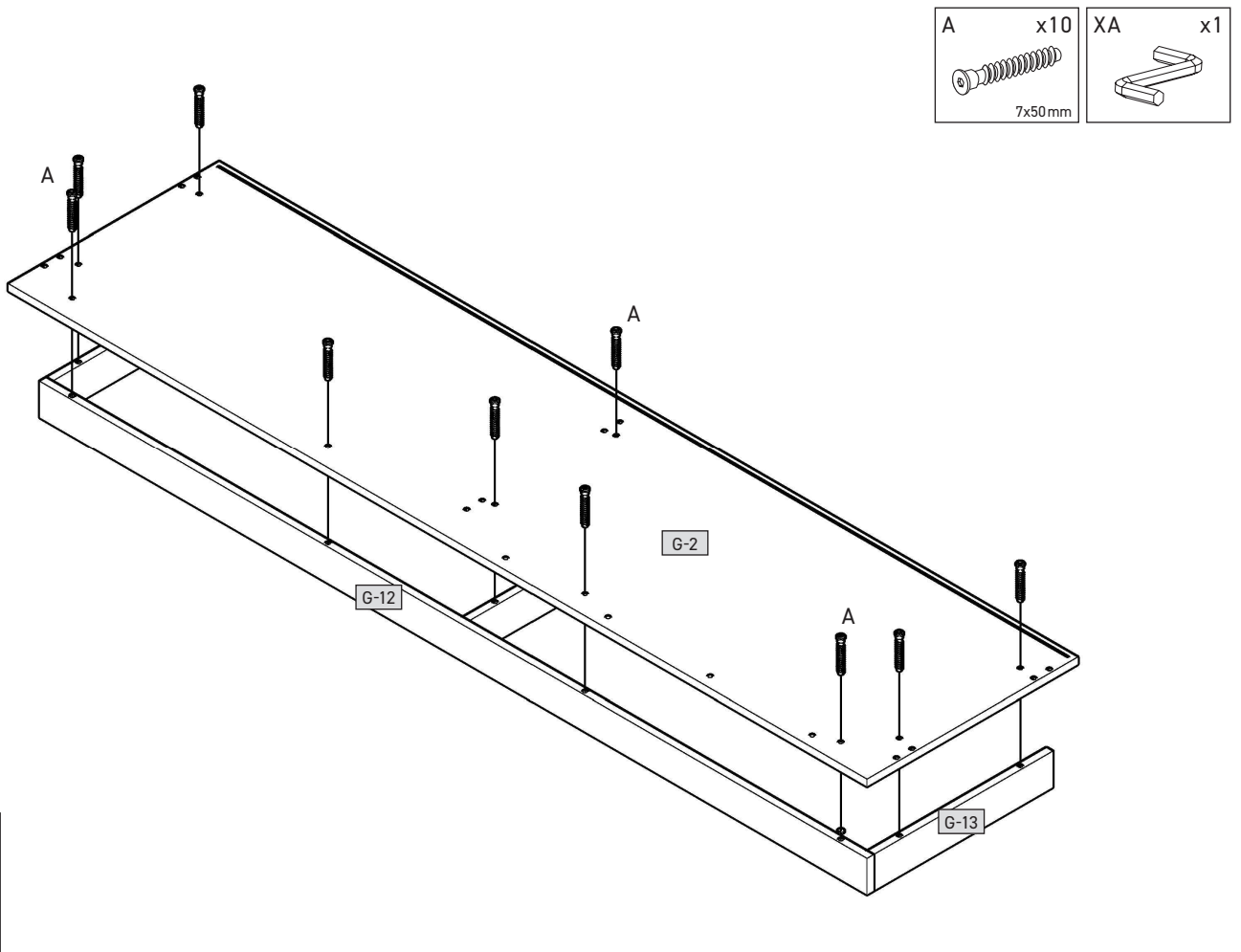
8



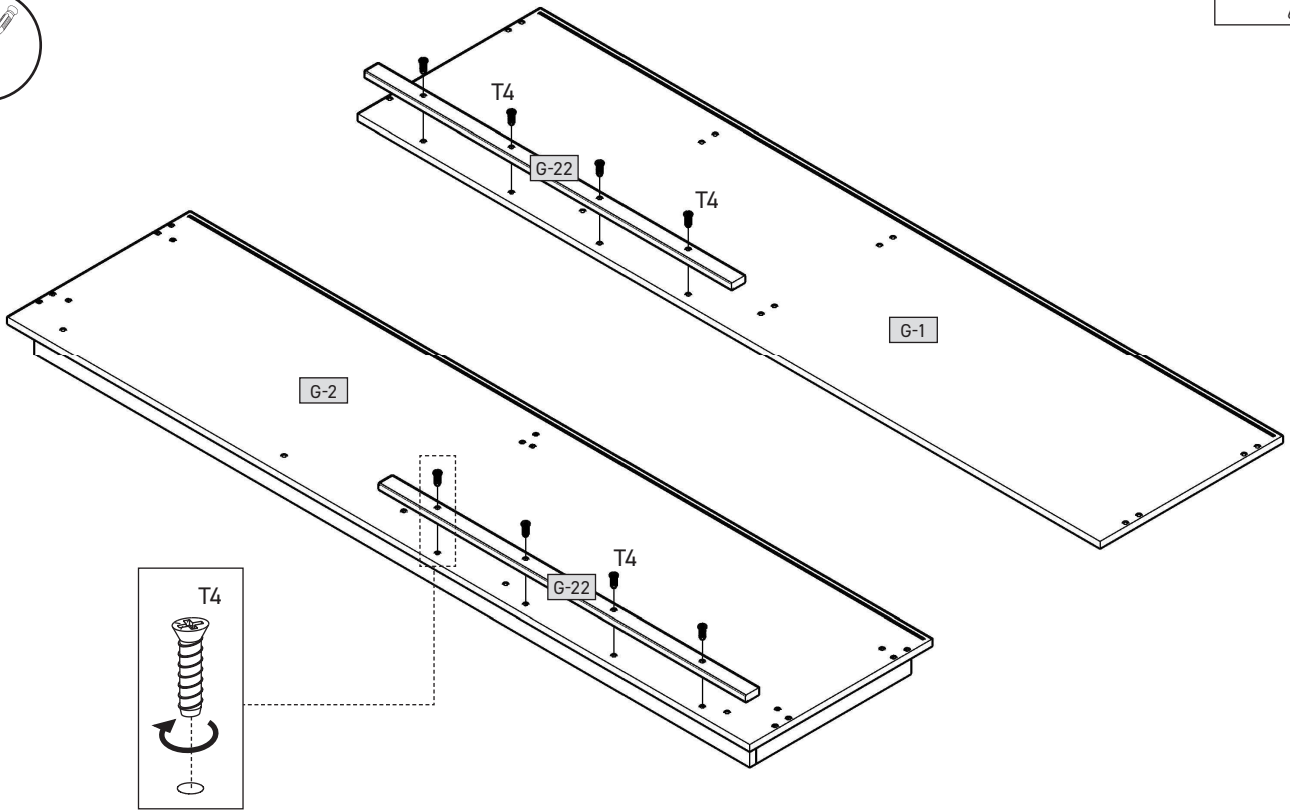
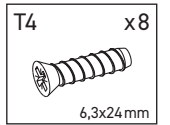
9



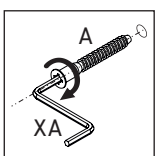
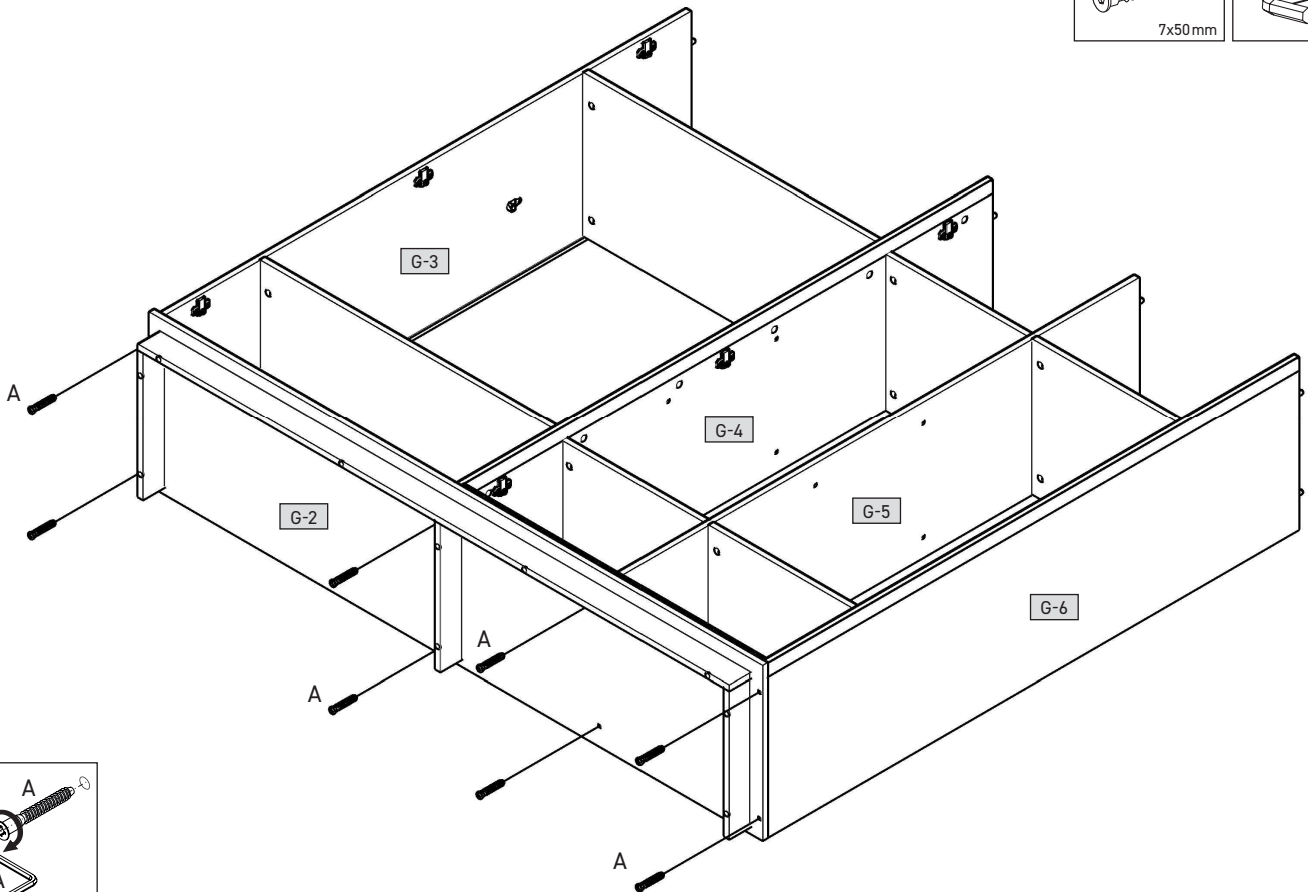
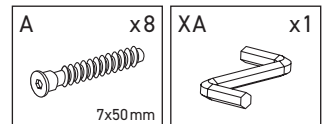
10



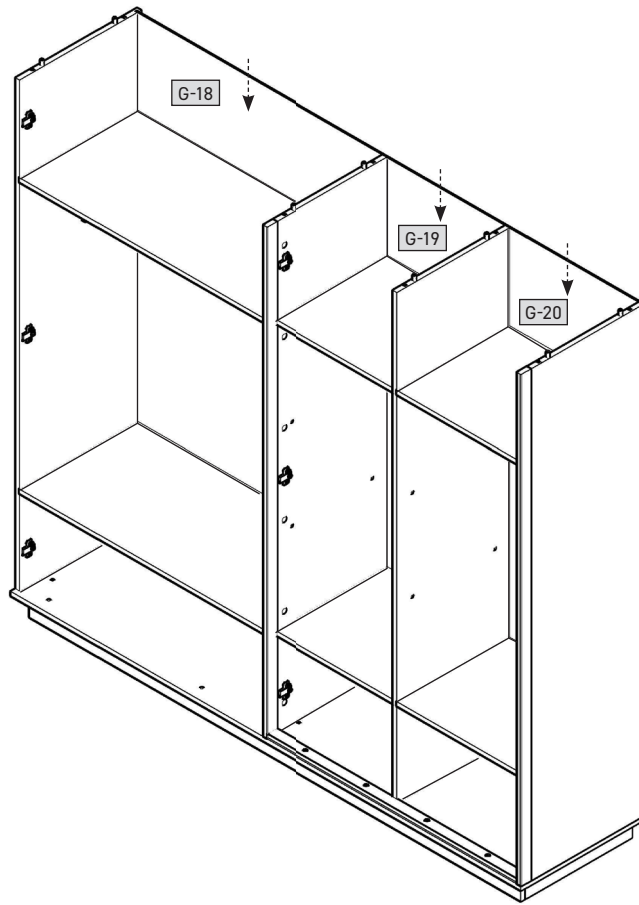
11



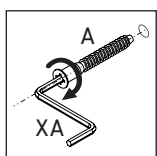
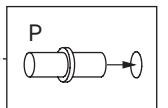
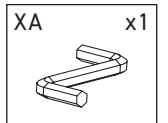
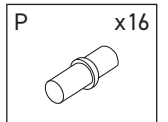
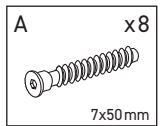
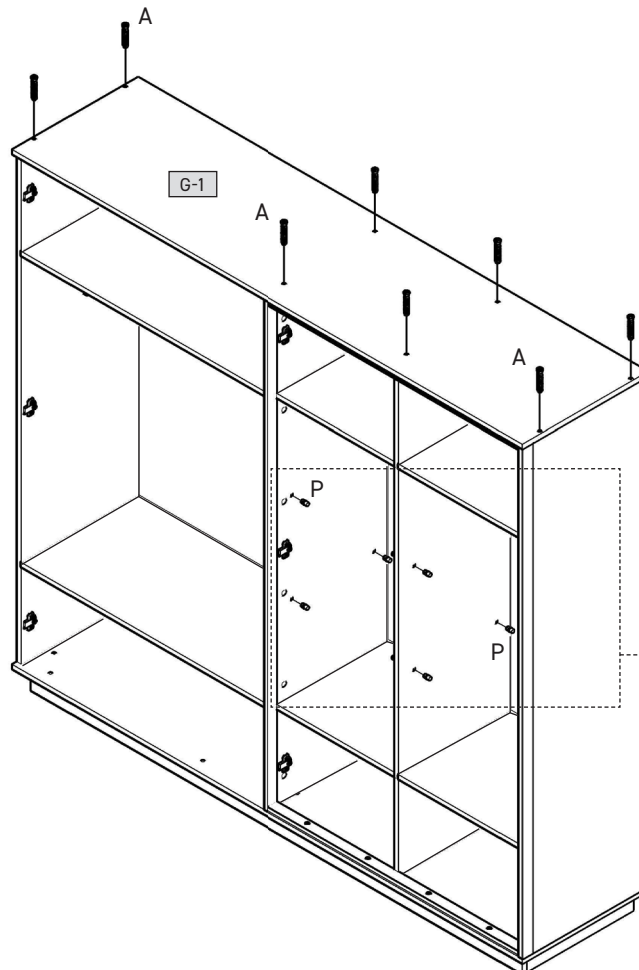
12



13



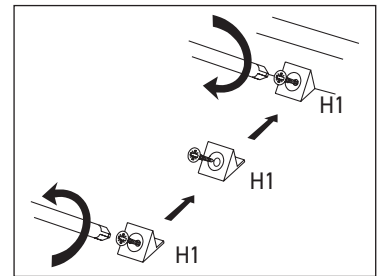
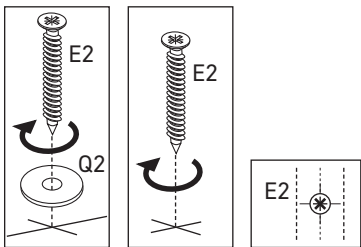
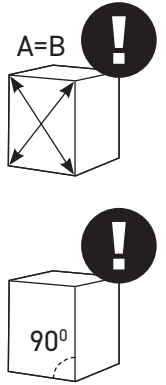
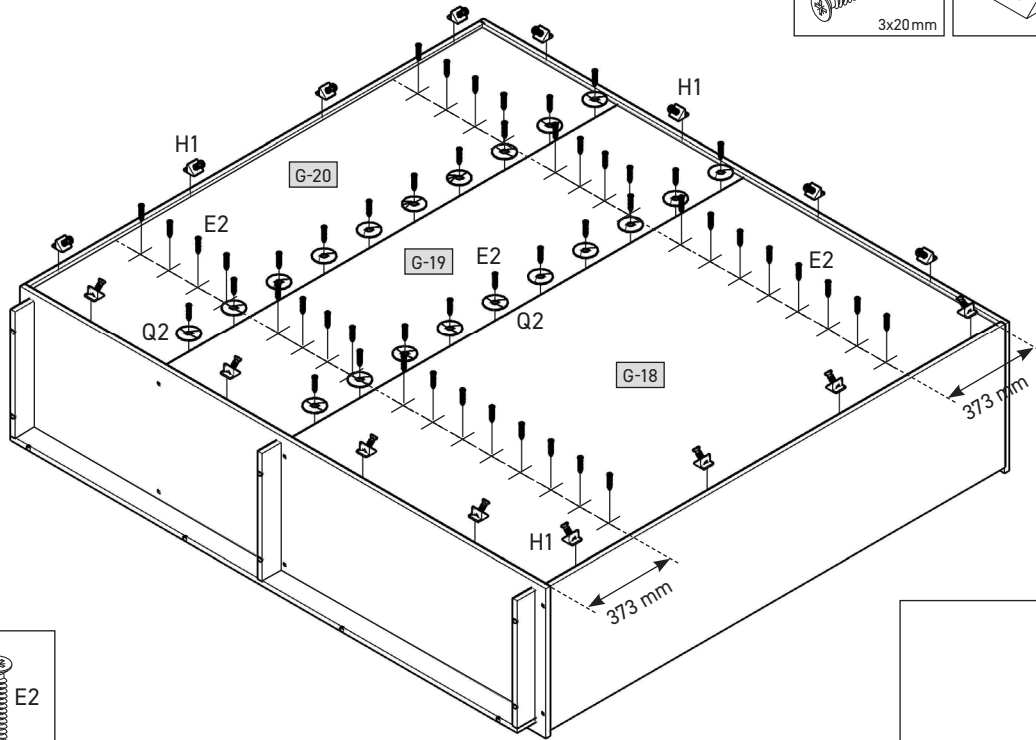
14



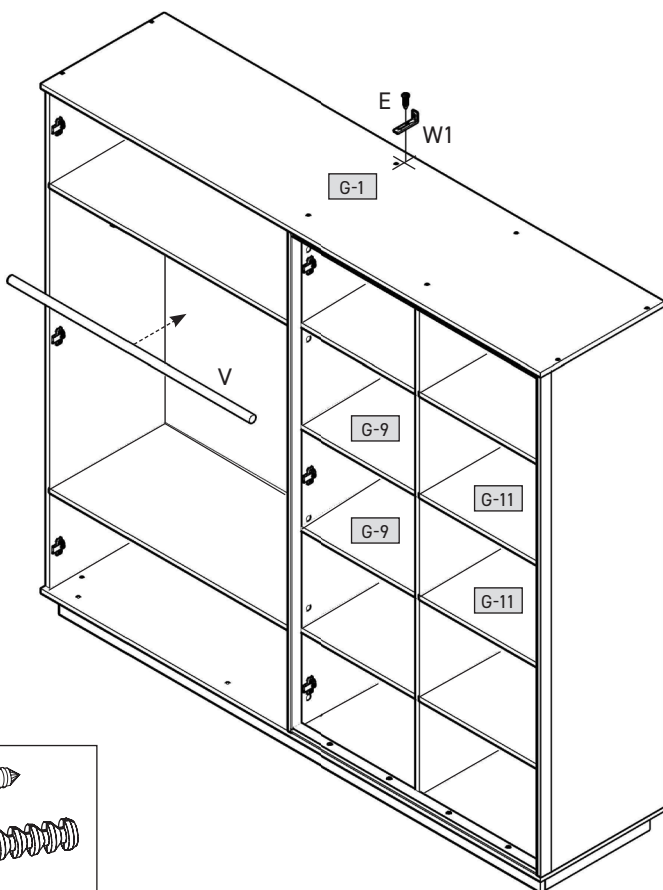
15



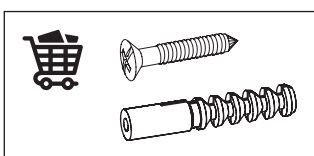
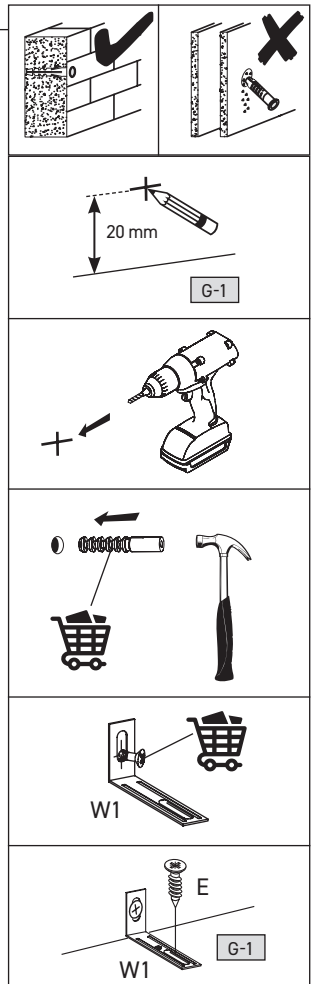
E2	x52	H1	x16	Q2	x20
	3x20mm				∅15/S



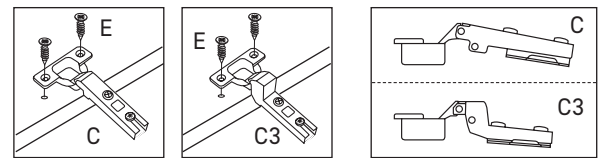
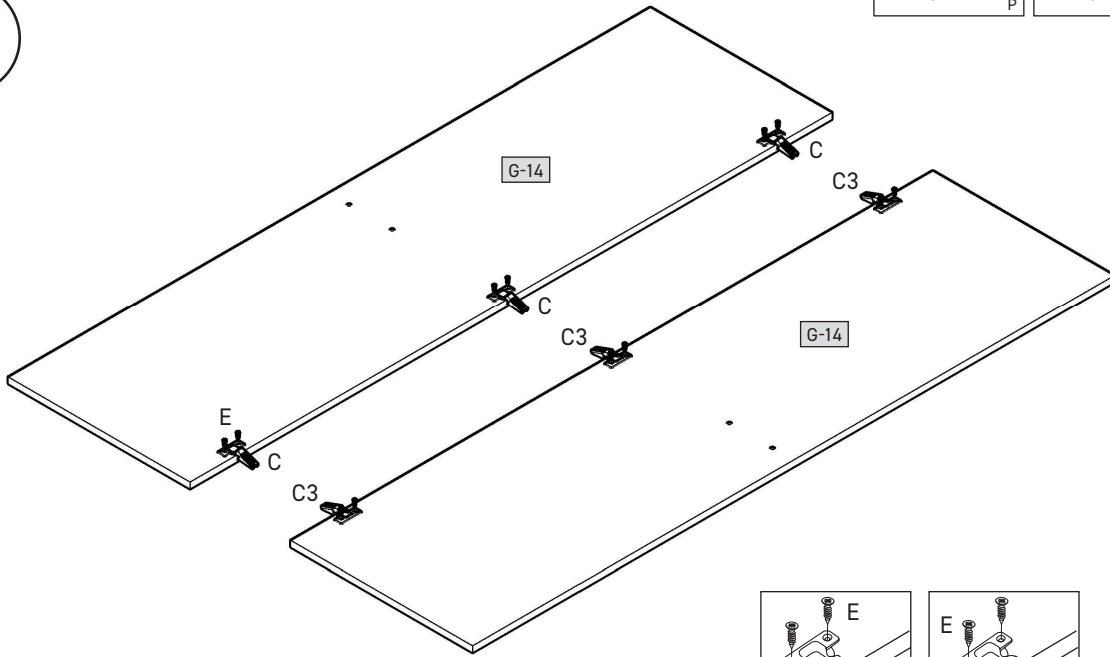
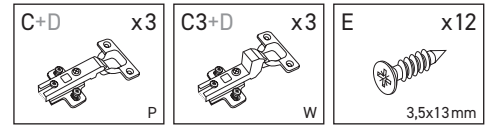
16



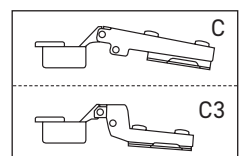
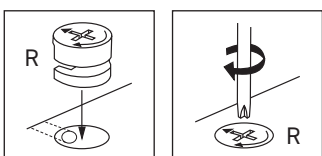
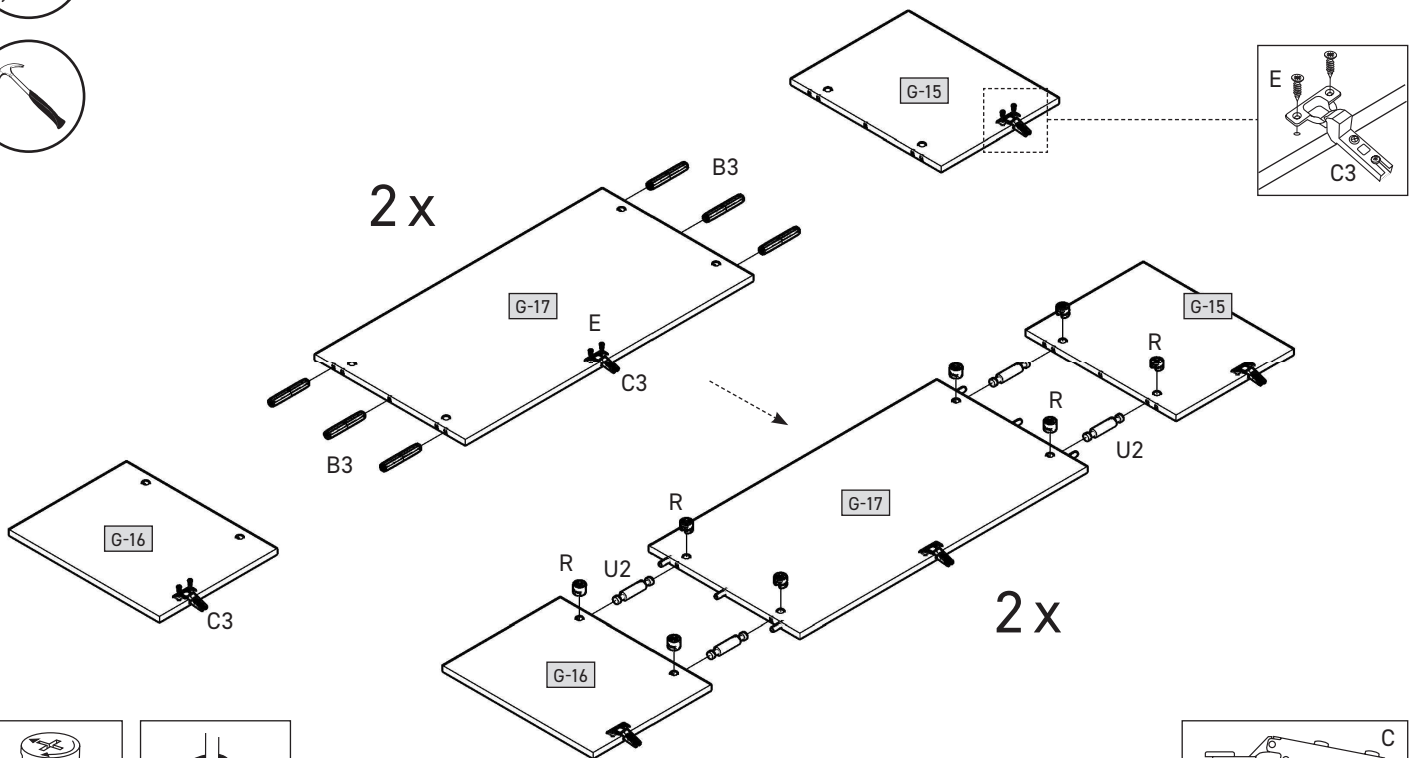
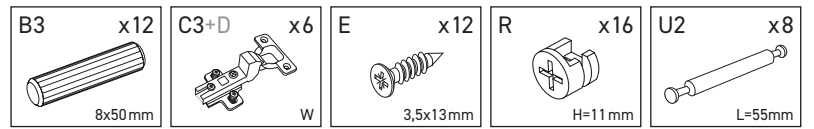
E	x1	
		3,5x13mm
V	x1	
		L=1058mm
W1	x1	



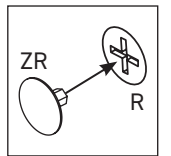
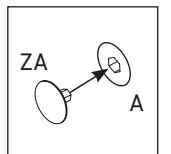
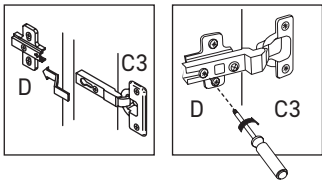
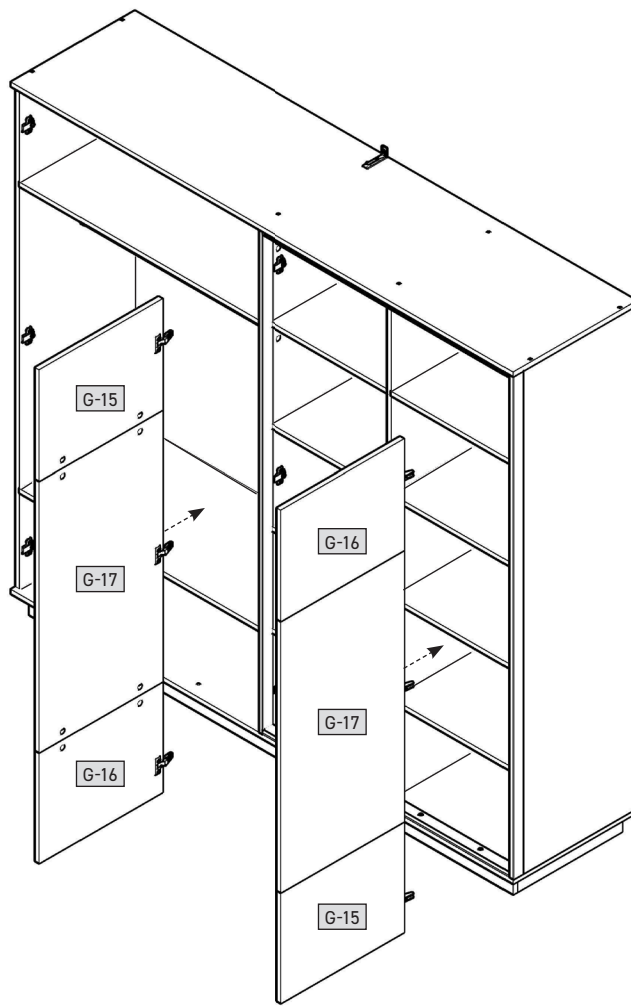
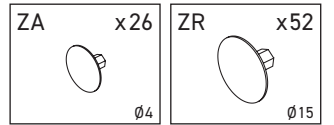
17



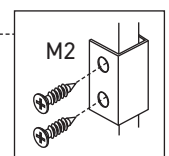
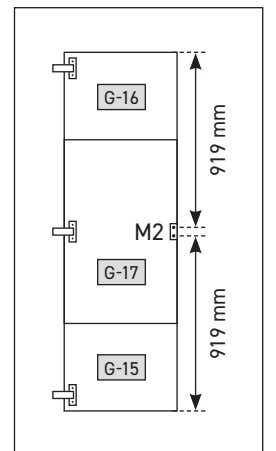
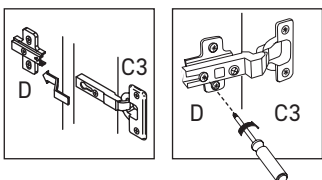
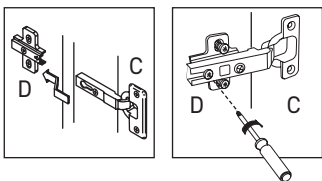
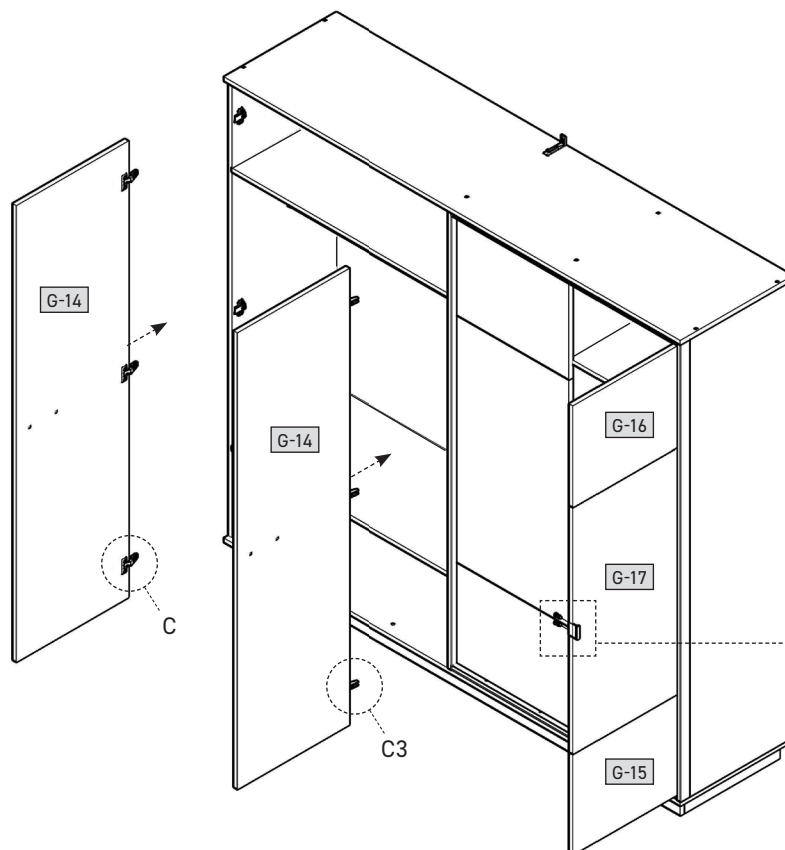
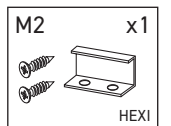
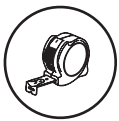
18



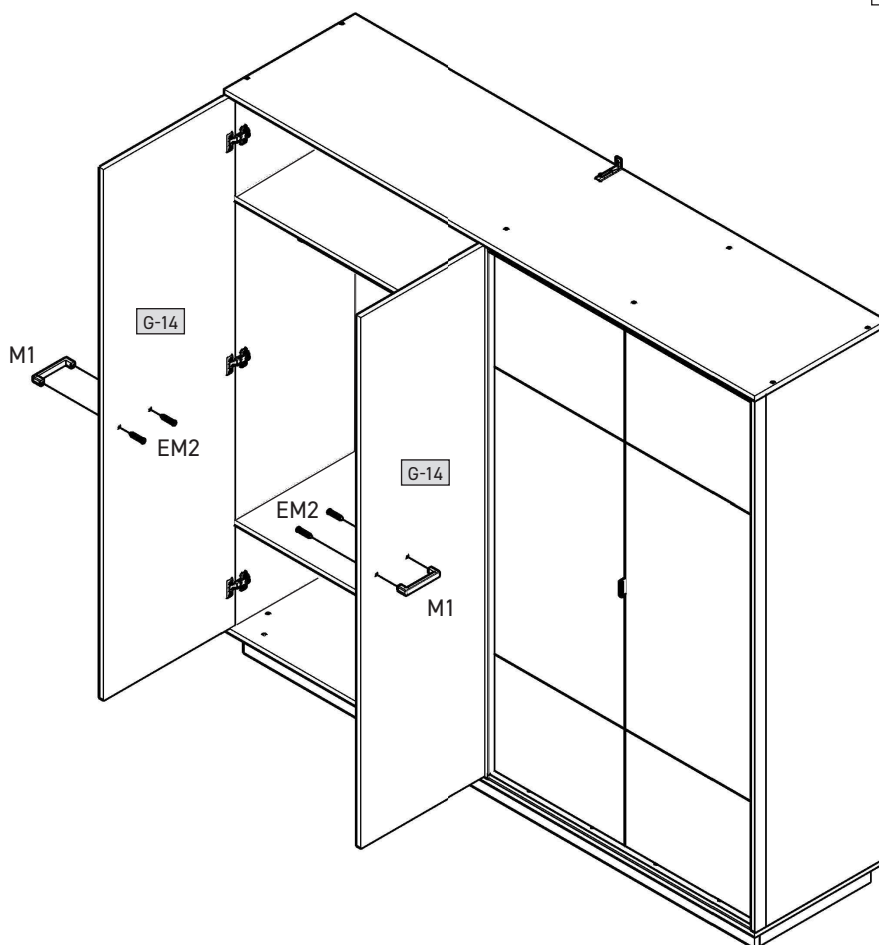
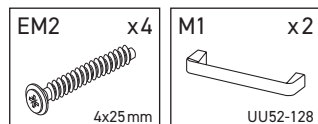
19



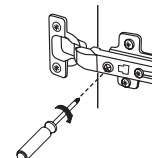
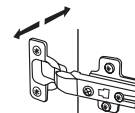
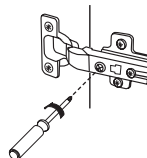
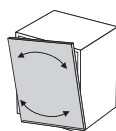
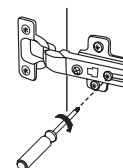
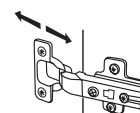
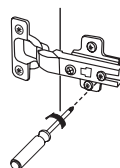
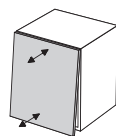
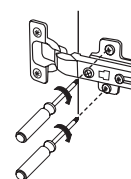
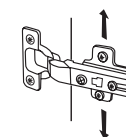
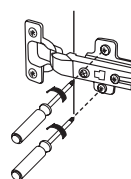
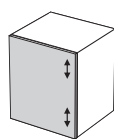
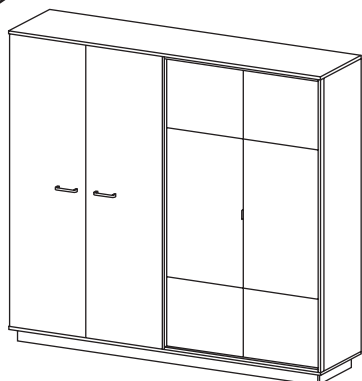
20

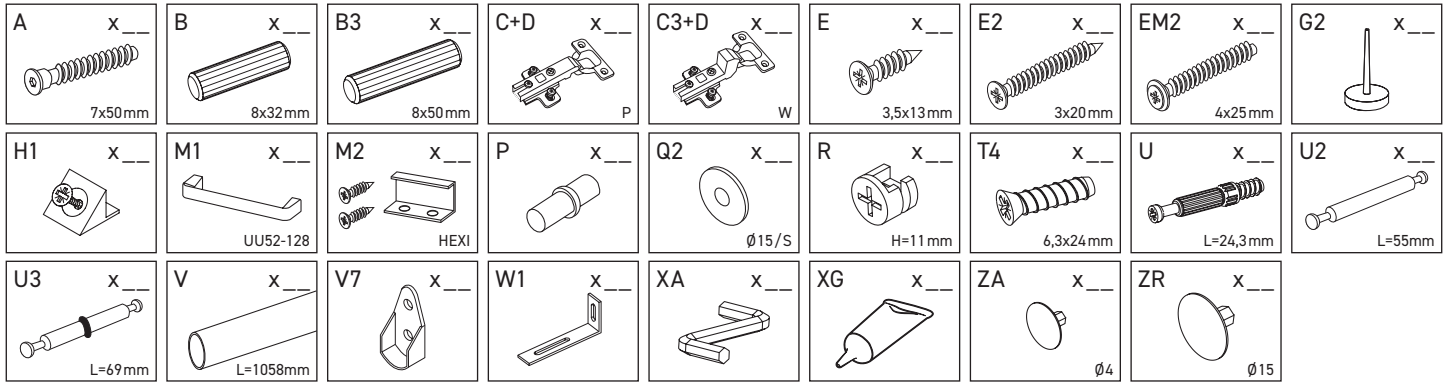


21



22





G-1	2200	540	16	x 1	2/4
G-2	2200	540	16	x 1	2/4
G-3	1908	520	16	x 1	1/4
G-4	1908	483	16	x 1	3/4
G-5	1908	483	16	x 1	3/4
G-6	1908	498	16	x 1	1/4
G-7	1066	505	16	x 2	2/4
G-8	512	483	16	x 2	3/4
G-9	512	483	16	x 2	1/4
G-10	557	483	16	x 2	3/4
G-11	557	483	16	x 2	3/4
G-12	2120	80	16	x 1	2/4
G-13	460	80	16	x 3	1/4
G-14	538	1902	16	x 2	4/4
G-15	538	420	16	x 2	4/4
G-16	538	420	16	x 2	4/4
G-17	538	1030	16	x 2	4/4
G-18	1082	1922	3	x 1	1/4
G-19	528	1922	3	x 1	1/4
G-20	572	1922	3	x 1	2/4
G-21	1908	40	16	x 2	2/4
G-22	1085	38	16	x 2	2/4

