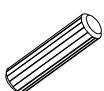
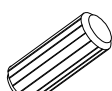

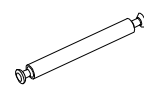
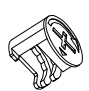



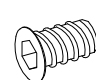
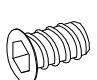


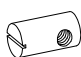






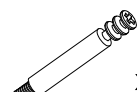
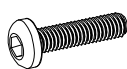

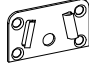
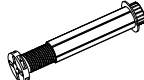
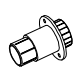
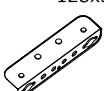

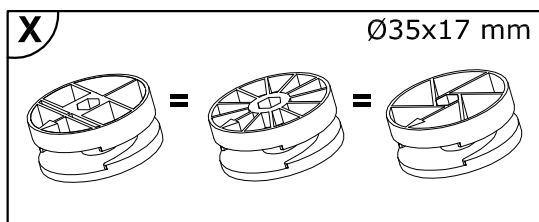
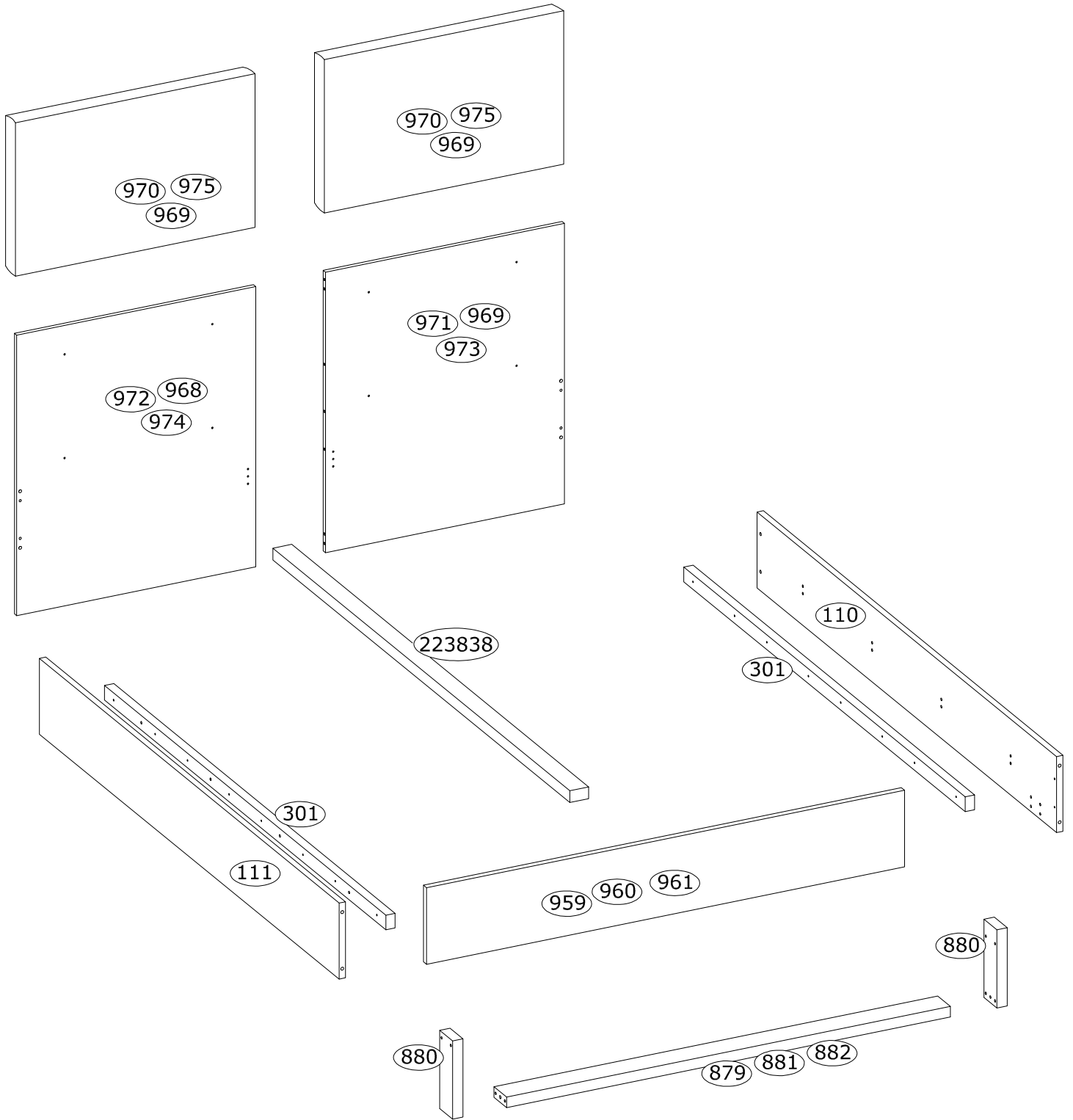


0
10
20
30
40
50
60
70
80
90
100
110
120
130
140
150
160
170
180
190
200

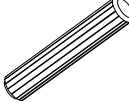
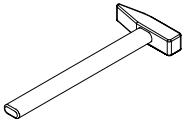
A Ø8x30 mm  x12 3989	B Ø10x35 mm  x8 3992	C Ø8x50 mm  x8 3991	D Ø7,0x59 mm  x3 4058	E Ø15x12 mm  x6 3996
F 8 mm  x1 226502	G 6 mm  x1 3985	H 4 mm  x1 3984	I M6/17  x4 168986	J M8/17  x2 0000
K  x7 70313	L M6 L-55  x4 146787	M M6,0x16,0 mm  x4 3939	N Ø4,0x35 mm  x8 3895	O Ø4,0x45 mm  x16 3897
R Ø6,3x13 mm  x8 3879	S Ø3,5x20 mm  x6 3919	T Ø6,3x13 mm  x8 3880	X Ø35x17 mm  x2 233865	Y M8x39,5 mm  x2 233869
Z M6x45,0 mm  x4 205079	A1 69x39x32 mm  x2 4077	B1 69x40x7 mm  x2 4009	C1  x2 4012	D1 69x40x7 mm  x2 IN01004
E1 128x30x23 mm  x2 210474	U Ø3,5x16 mm  x8 3918			

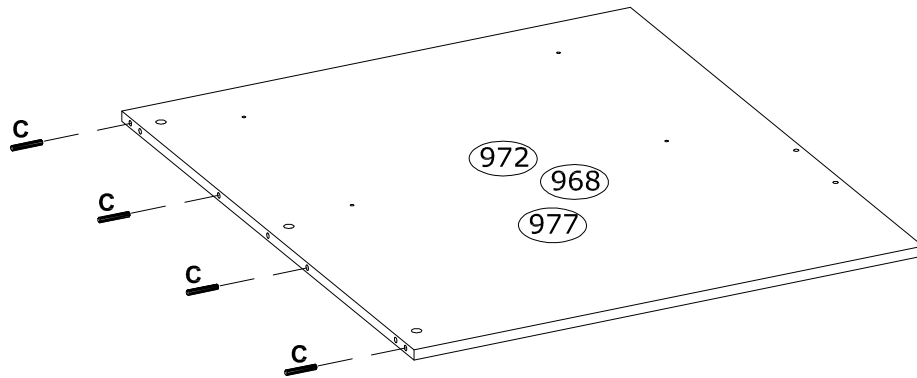
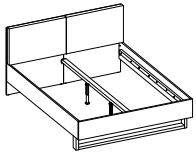







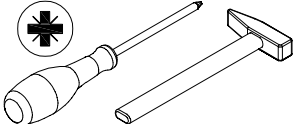
879 959	881 960	882 961
969 968	970 972	973 974
969	971	975

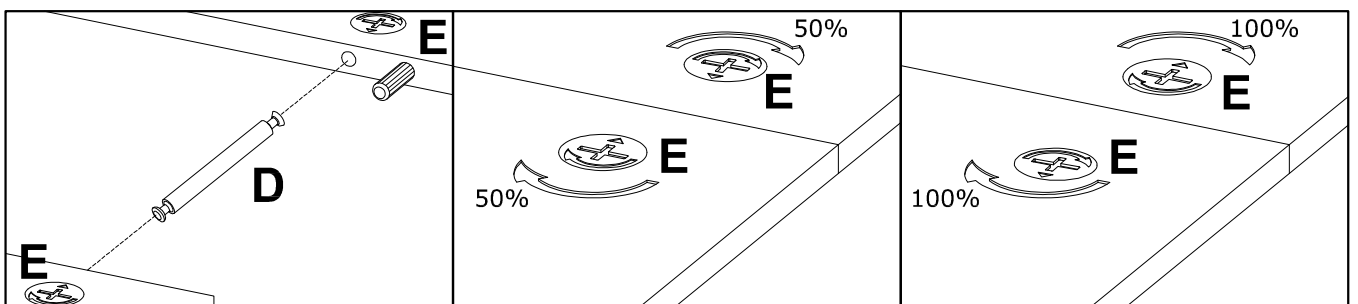
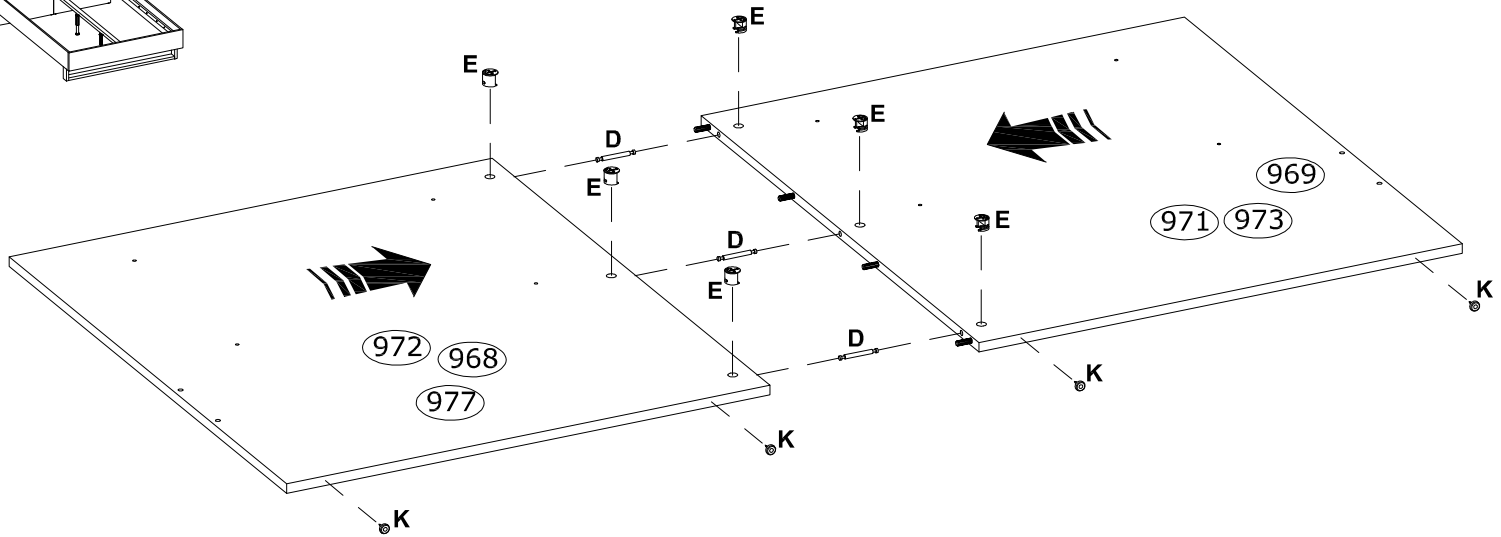
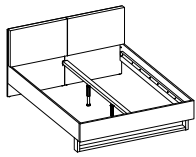
1

<p>C</p> <p>∅8x50 mm</p>  <p>x4 3991</p>	
--------------------------------------------------------------------------------------------------------------------------------------	------------------------------------------------------------------------------------

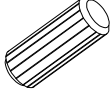
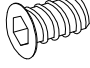

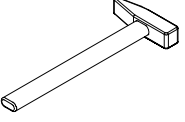


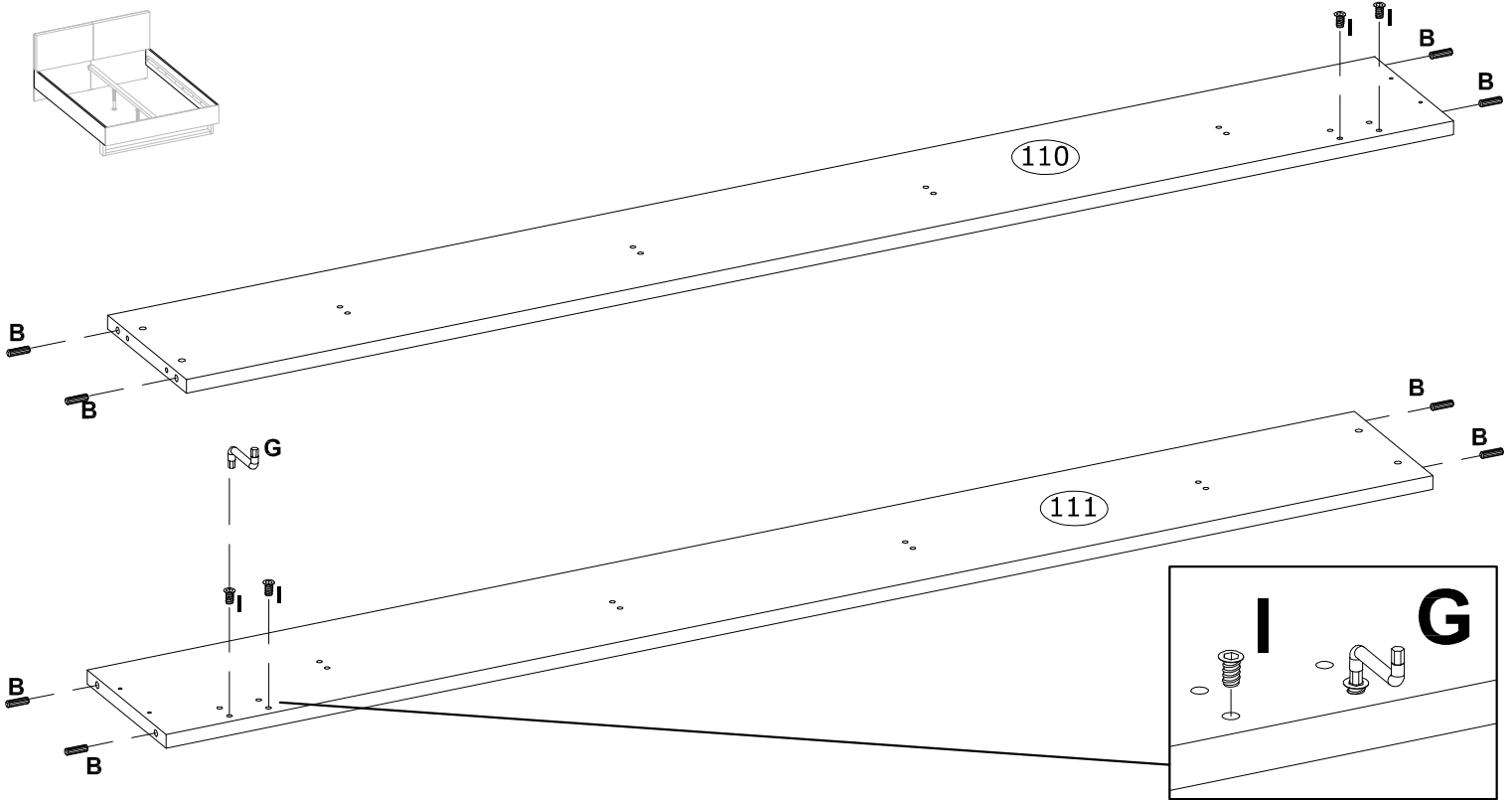
2

<p>D</p> <p>∅7,0x59 mm</p>  <p>x3 4058</p>	<p>E</p> <p>∅15x12 mm</p>  <p>x6 3996</p>	<p>K</p>  <p>x4 70313</p>	
----------------------------------------------------------------------------------------------------------------------------------------	---------------------------------------------------------------------------------------------------------------------------------------	-----------------------------------------------------------------------------------------------------------------------	-------------------------------------------------------------------------------------


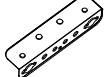

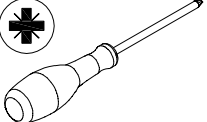


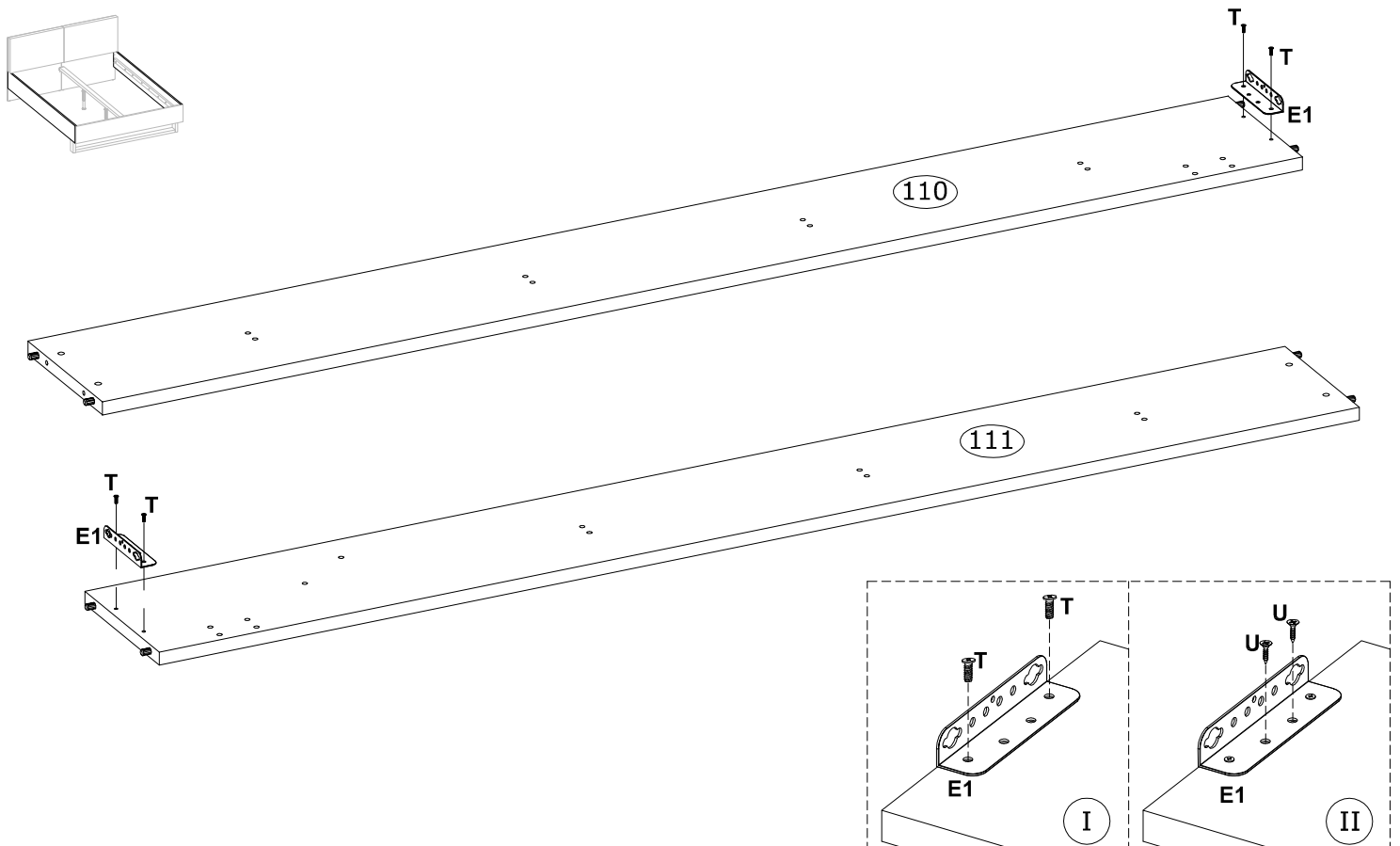
3

B Ø10x35 mm  x8 3992	I M6/17  x4 168986	G 6 mm  x1 3985	
--------------------------------------------------------------------------------------------------------------------------	------------------------------------------------------------------------------------------------------------------------	---------------------------------------------------------------------------------------------------------------------	------------------------------------------------------------------------------------


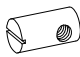



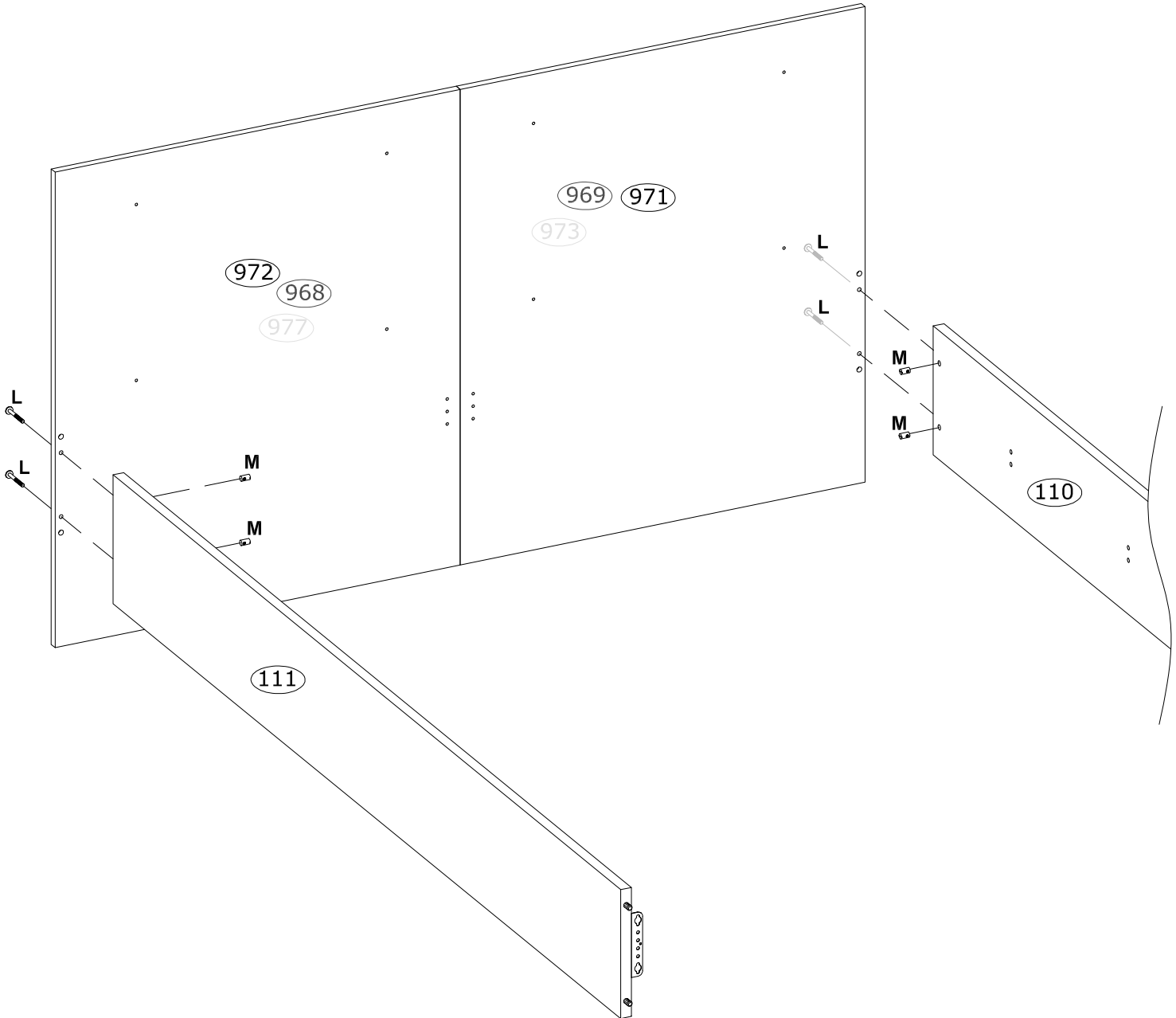
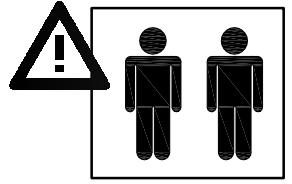
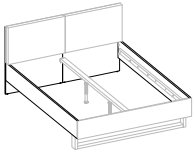
4

T Ø6,3x13 mm  x4 3880	E1 128x30x23 mm  x2 210474	U Ø3,5x16 mm  x4 3918	
-----------------------------------------------------------------------------------------------------------------------------	----------------------------------------------------------------------------------------------------------------------------------	-----------------------------------------------------------------------------------------------------------------------------	---------------------------------------------------------------------------------------

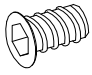


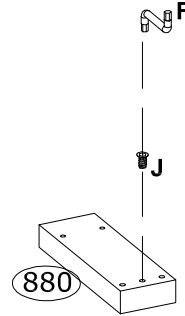
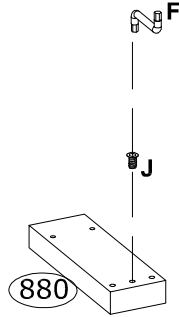
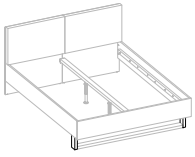
5

L  M6 L-55 x4 146787	M  M6,0x16,0 mm x4 3939	H  4 mm x1 3984
-------------------------------------------------------------------------------------------------------------------------	-----------------------------------------------------------------------------------------------------------------------------	--------------------------------------------------------------------------------------------------------------------

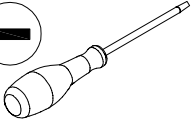


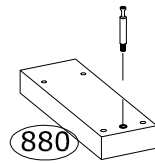
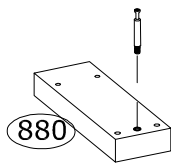
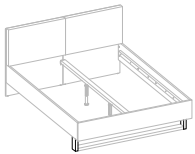
6

J  M8/17 x2 0000	F  8 mm x1 226502
----------------------------------------------------------------------------------------------------------------------	----------------------------------------------------------------------------------------------------------------------

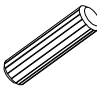


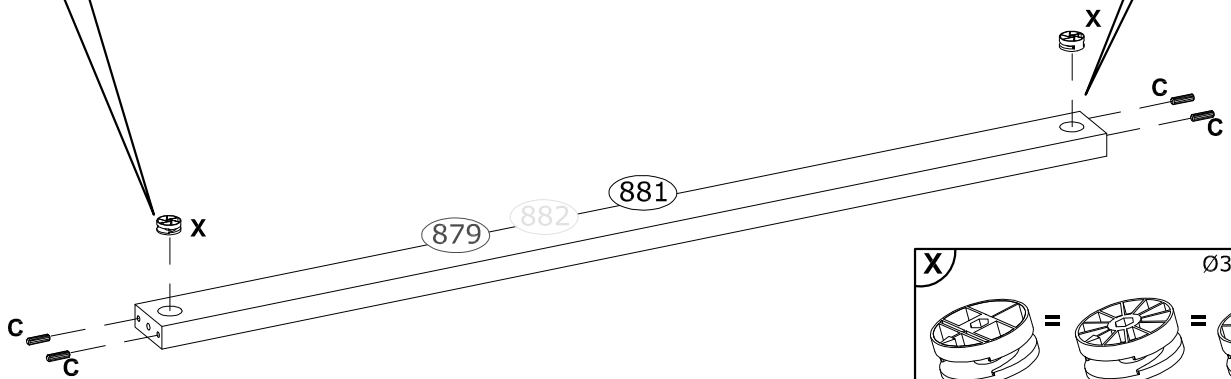
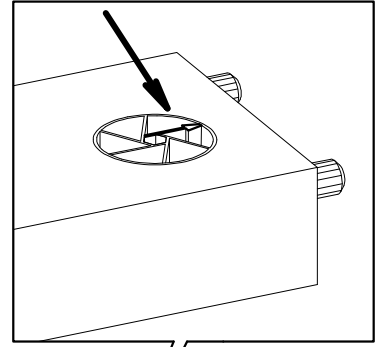
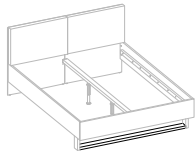
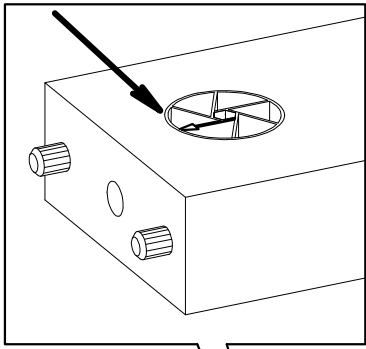
7


Y  M8x39,5 mm x2 233869	
-------------------------------------------------------------------------------------------------------------------------------	---------------------------------------------------------------------------------------



8

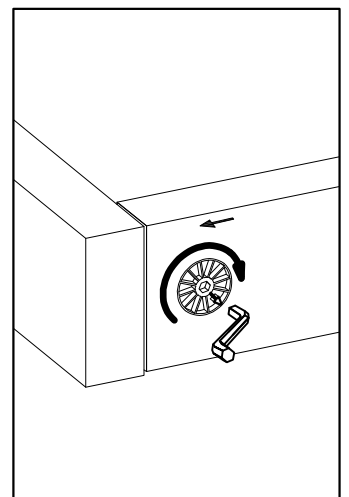
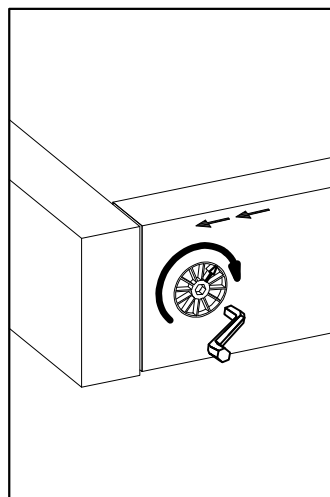
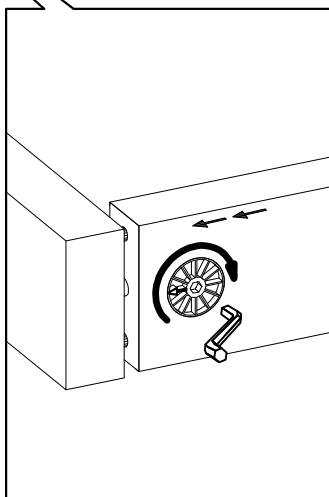
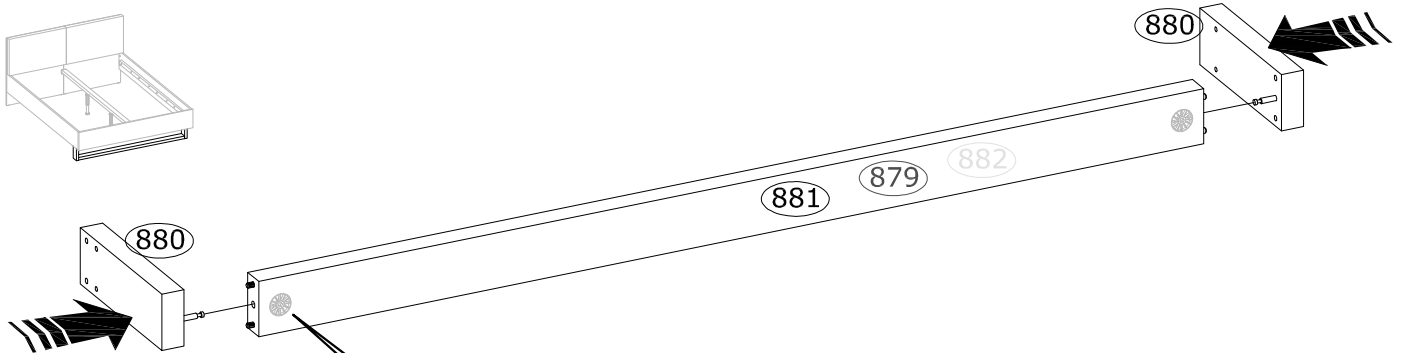
C	Ø8x50 mm	X	Ø35x17 mm	
	x4 3991		x2 233865	



X	Ø35x17 mm
	

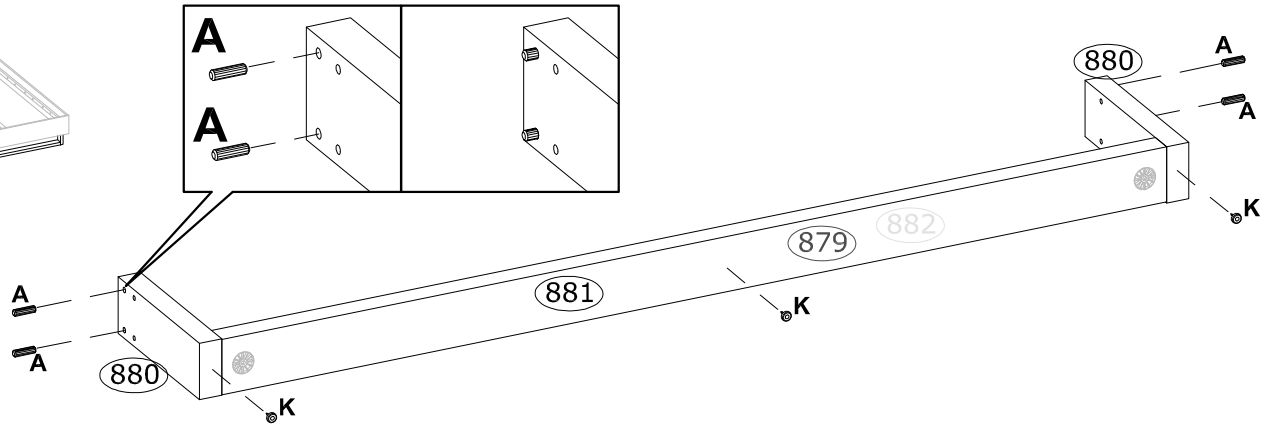
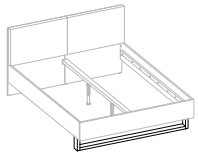
9

G	6 mm
	x1 3985

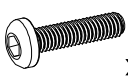



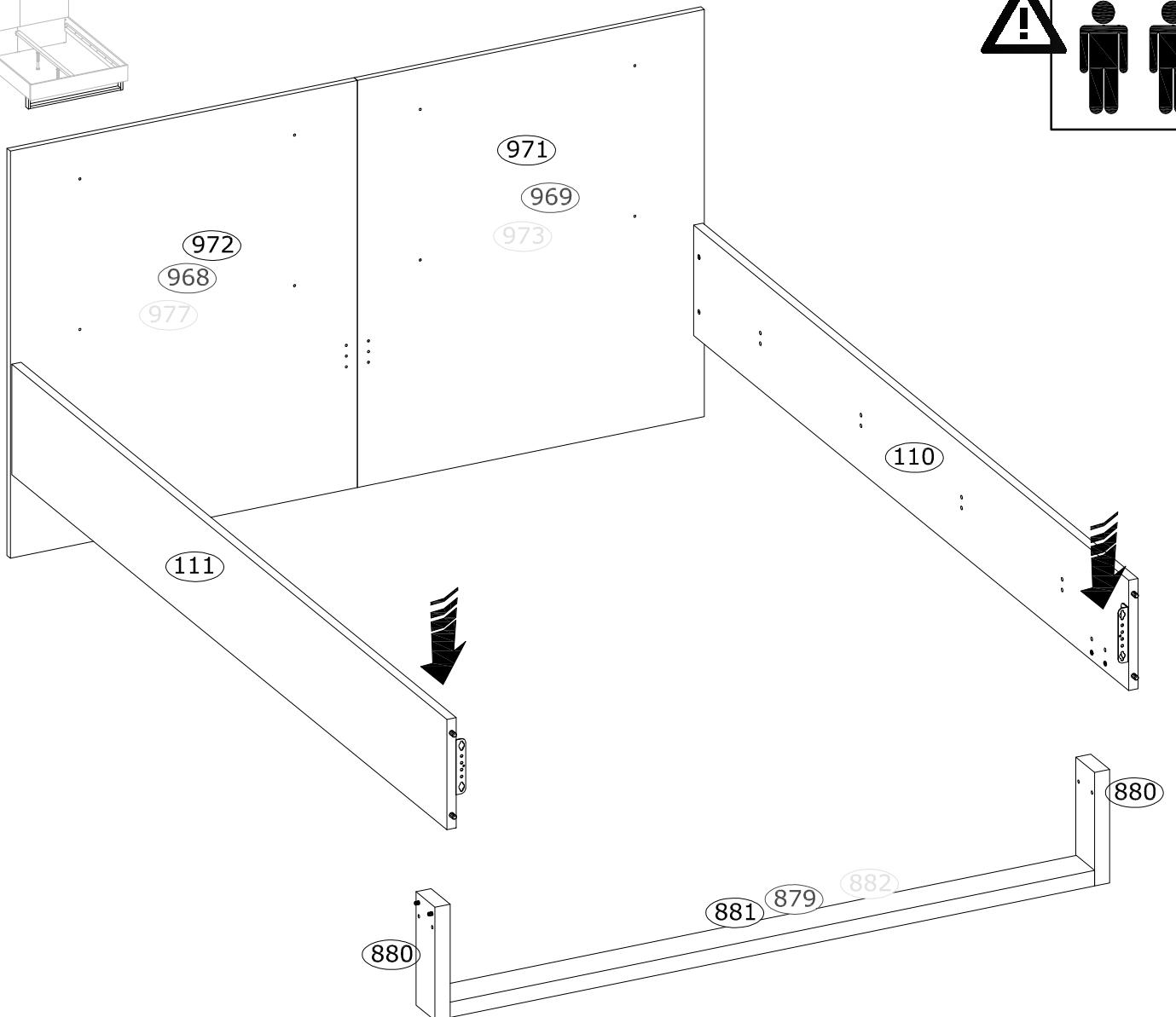
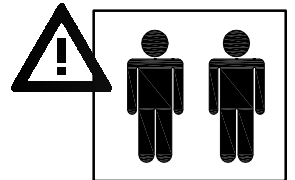
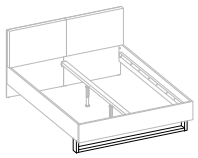
10

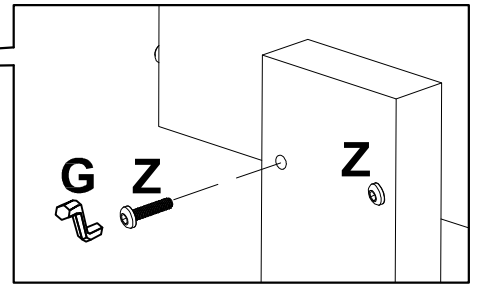
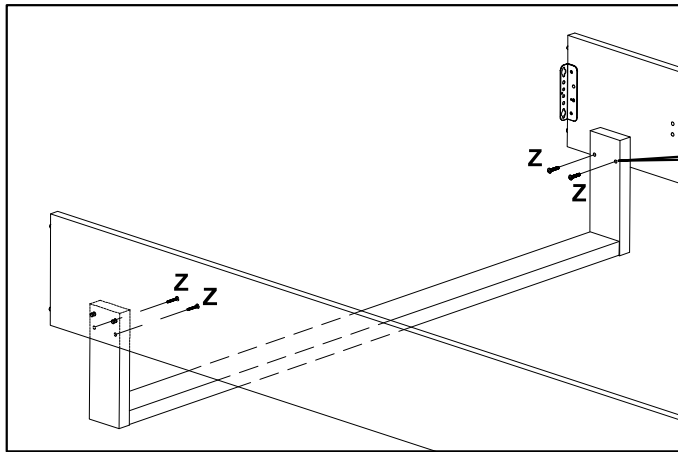
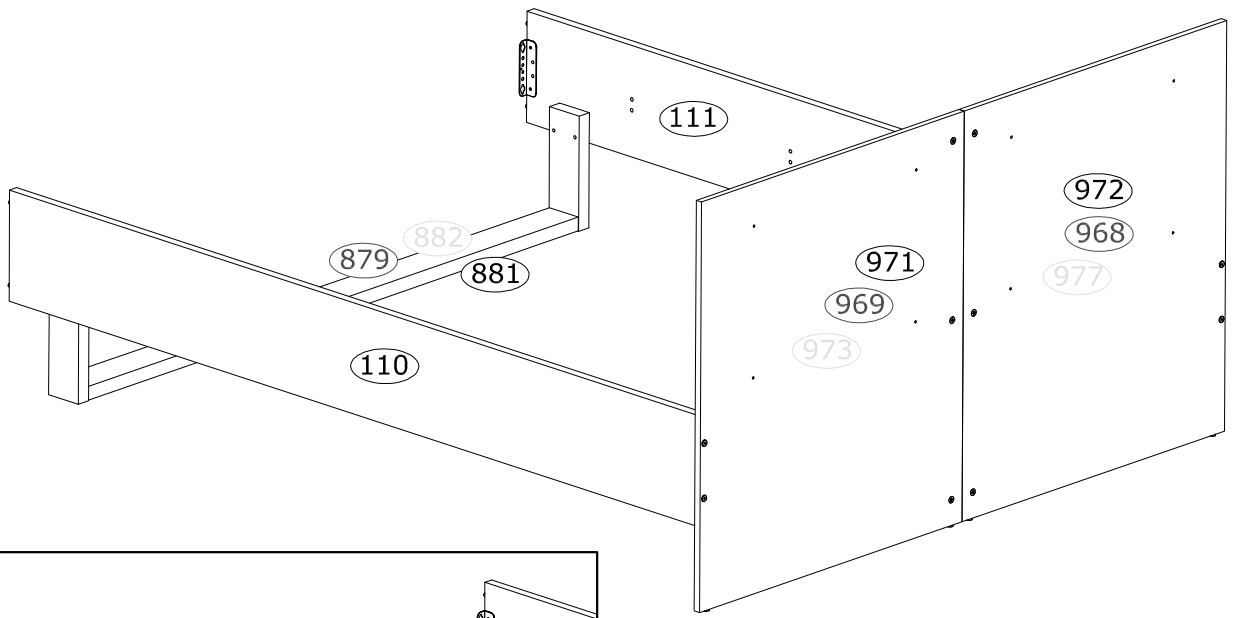
A  Ø8x30 mm x4 3989	K  x3 70313	
-------------------------------------------------------------------------------------------------------------------------	-------------------------------------------------------------------------------------------------------------	------------------------------------------------------------------------------------





11

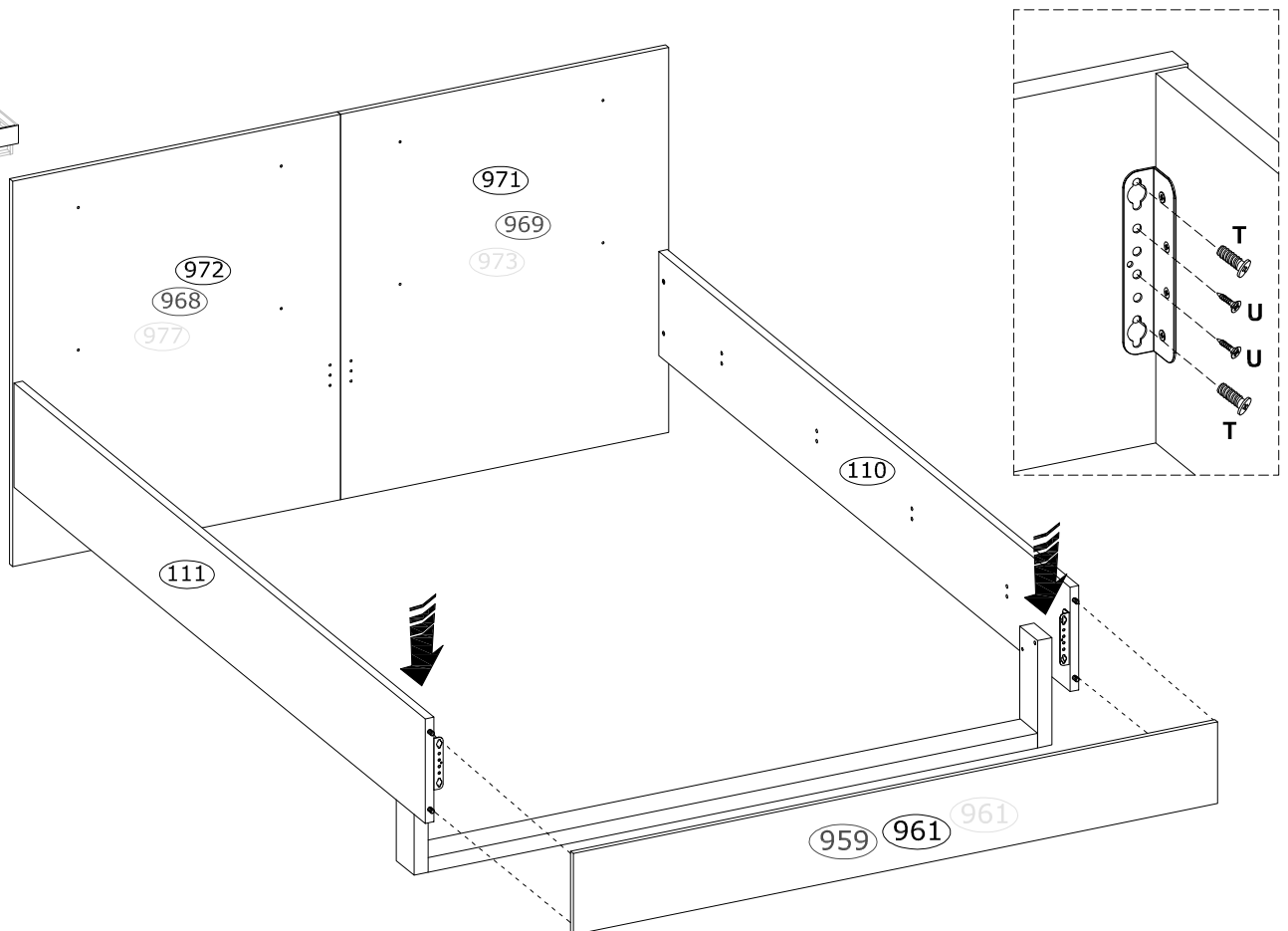
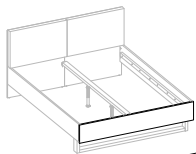
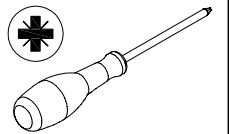
Z  M6x45,0 mm x4 205079	G  6 mm x1 3985	
-----------------------------------------------------------------------------------------------------------------------------	---------------------------------------------------------------------------------------------------------------------	--





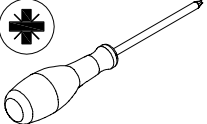


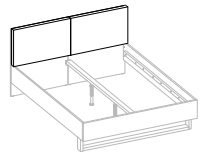
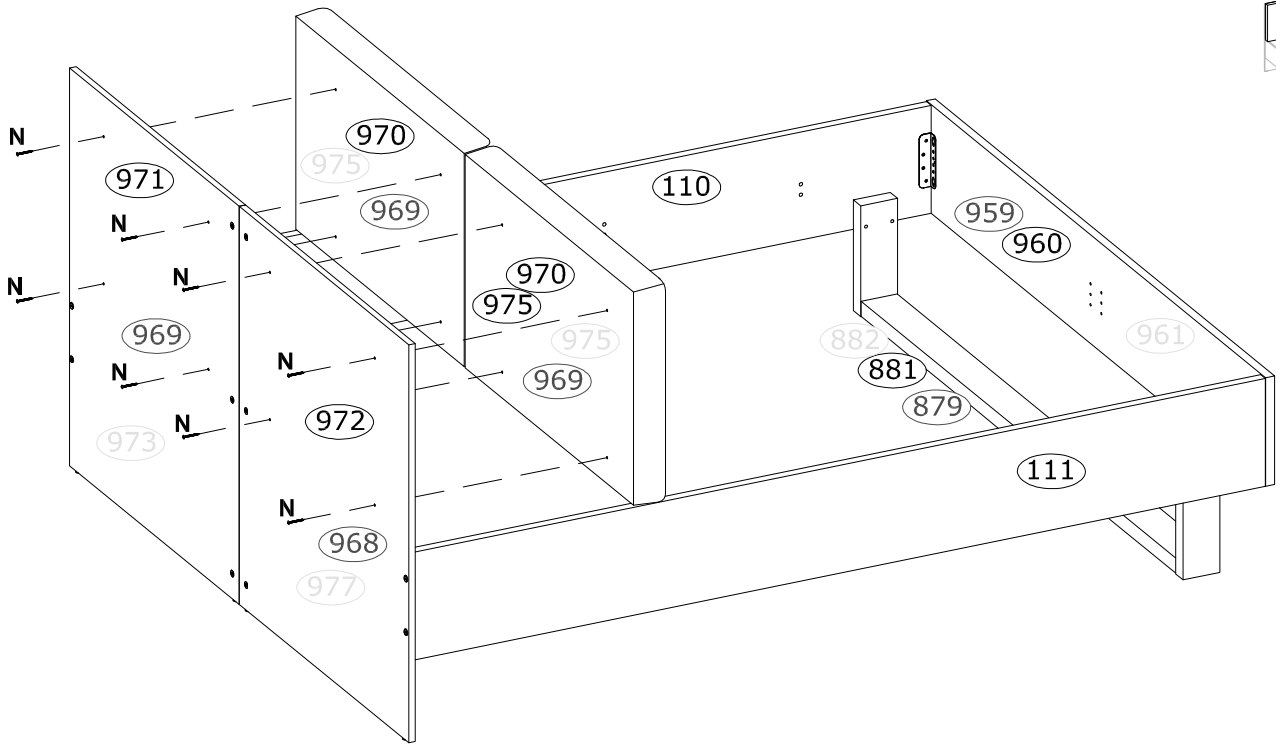
12

T	Ø6,3x13 mm	U	Ø3,5x16 mm
	x4 3880		x4 3918


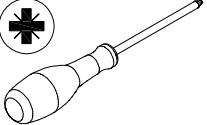


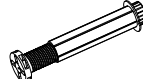



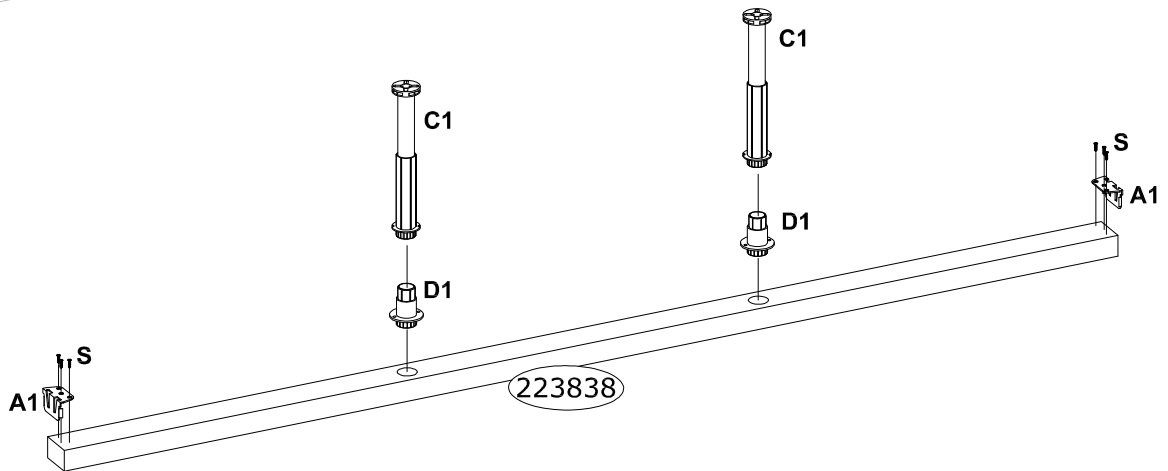
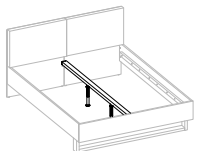
13

N	Ø4,0x35 mm		x8 3895		
----------	------------	-----------------------------------------------------------------------------------	------------	------------------------------------------------------------------------------------	------------------------------------------------------------------------------------


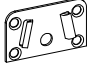


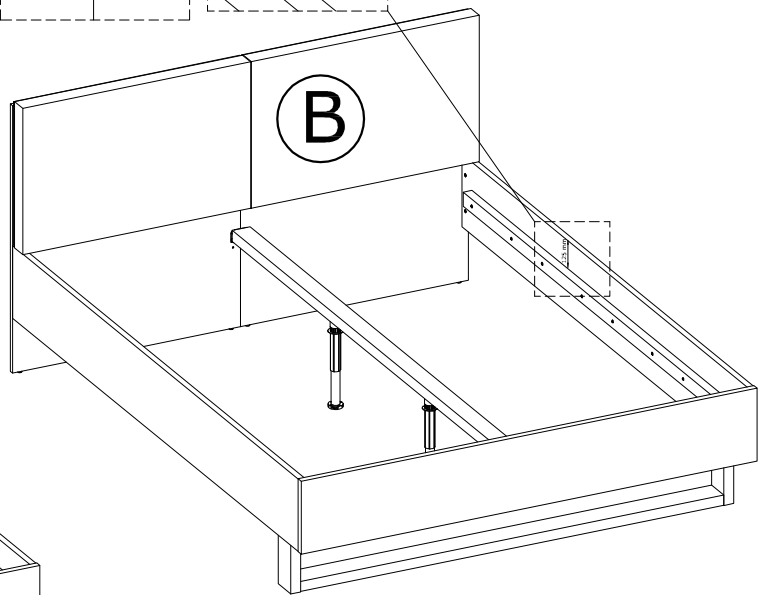
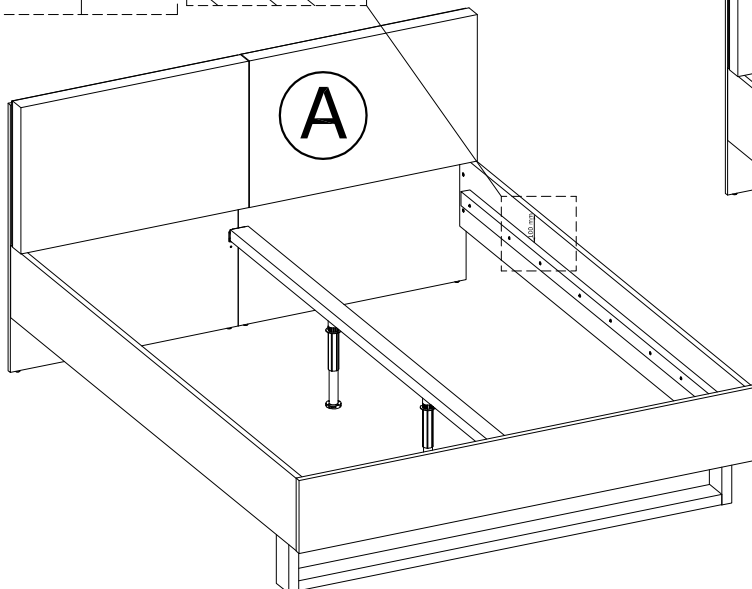
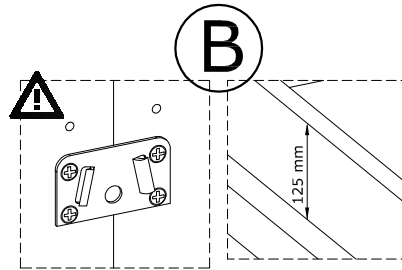
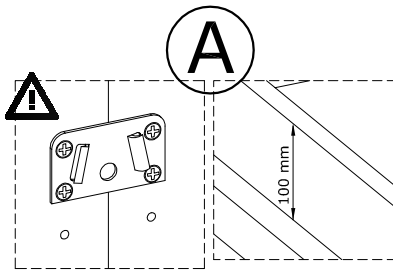
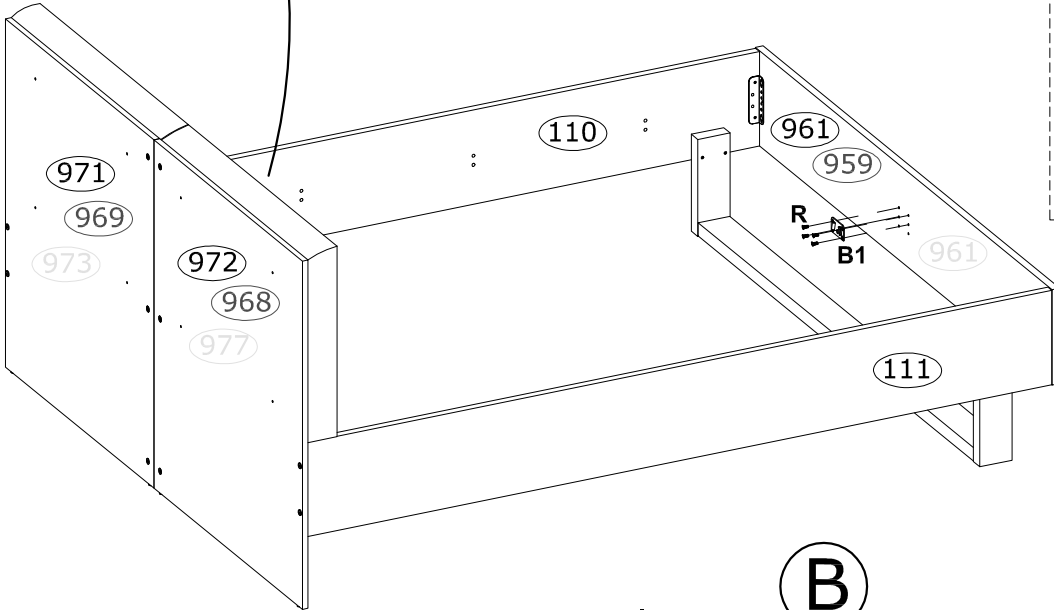
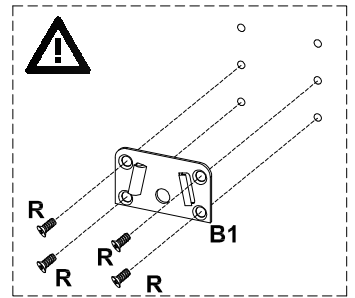
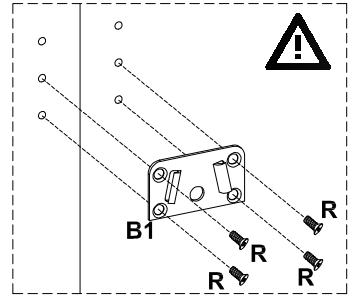
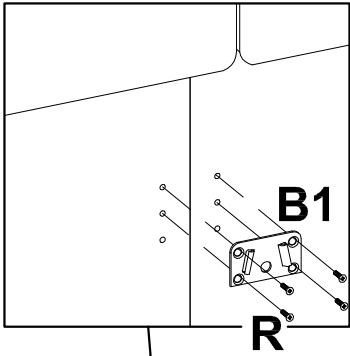
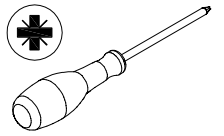
14

A1	69x39x32 mm	S	Ø3,5x20 mm	C1	D1	69x40x7 mm		
	x2 4077		x6 3919		x2 4012		x2 IN01004	



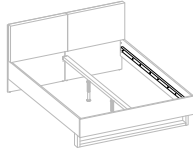
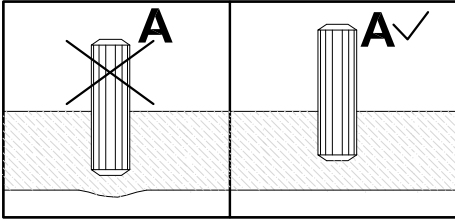
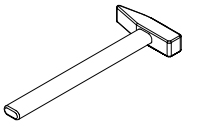
15

R Ø6,3x13 mm  x8 3879	B1 69x40x7 mm  x2 4009
---------------------------------------------------------------------------------------------------------------------------	----------------------------------------------------------------------------------------------------------------------------

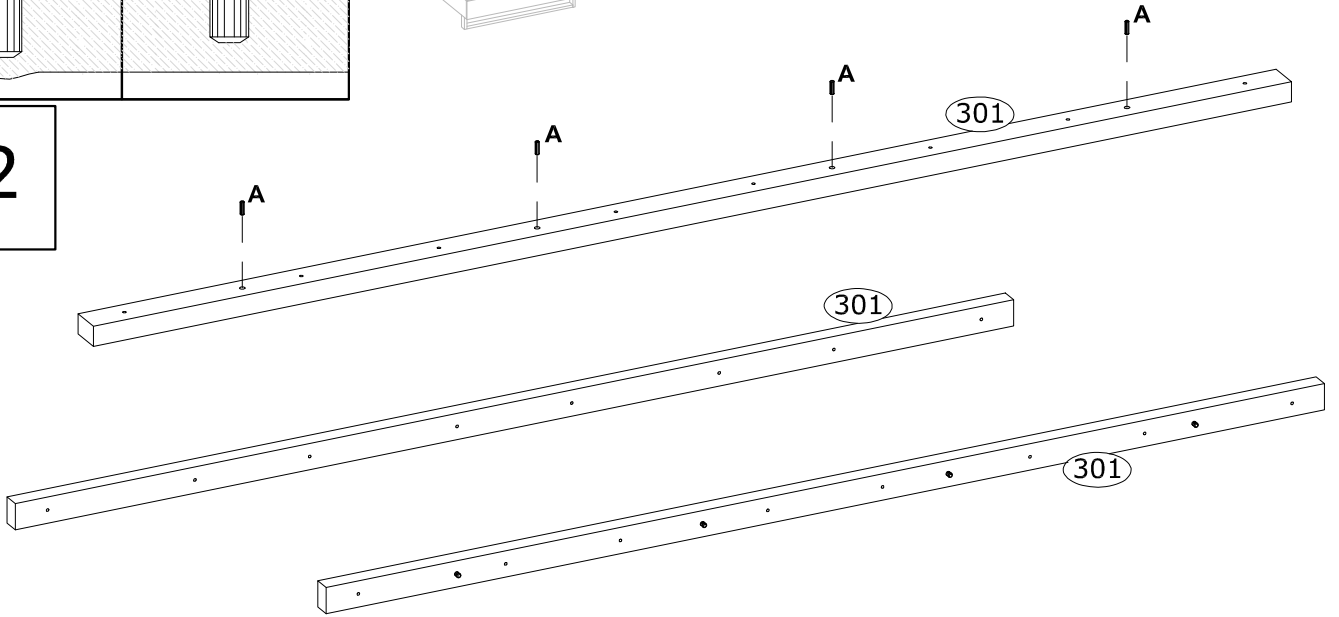


16

A
Ø8x30 mm
x8
3989



x2



17

O
Ø4,0x45 mm
x16
3897

