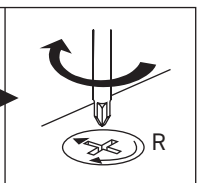
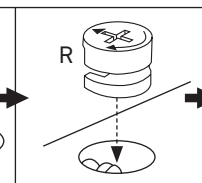
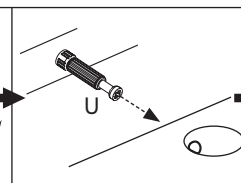
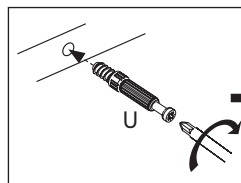
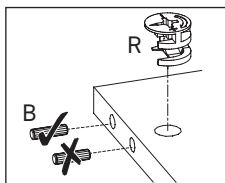
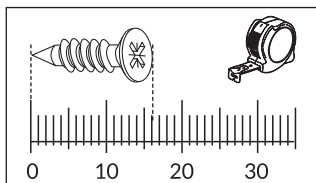
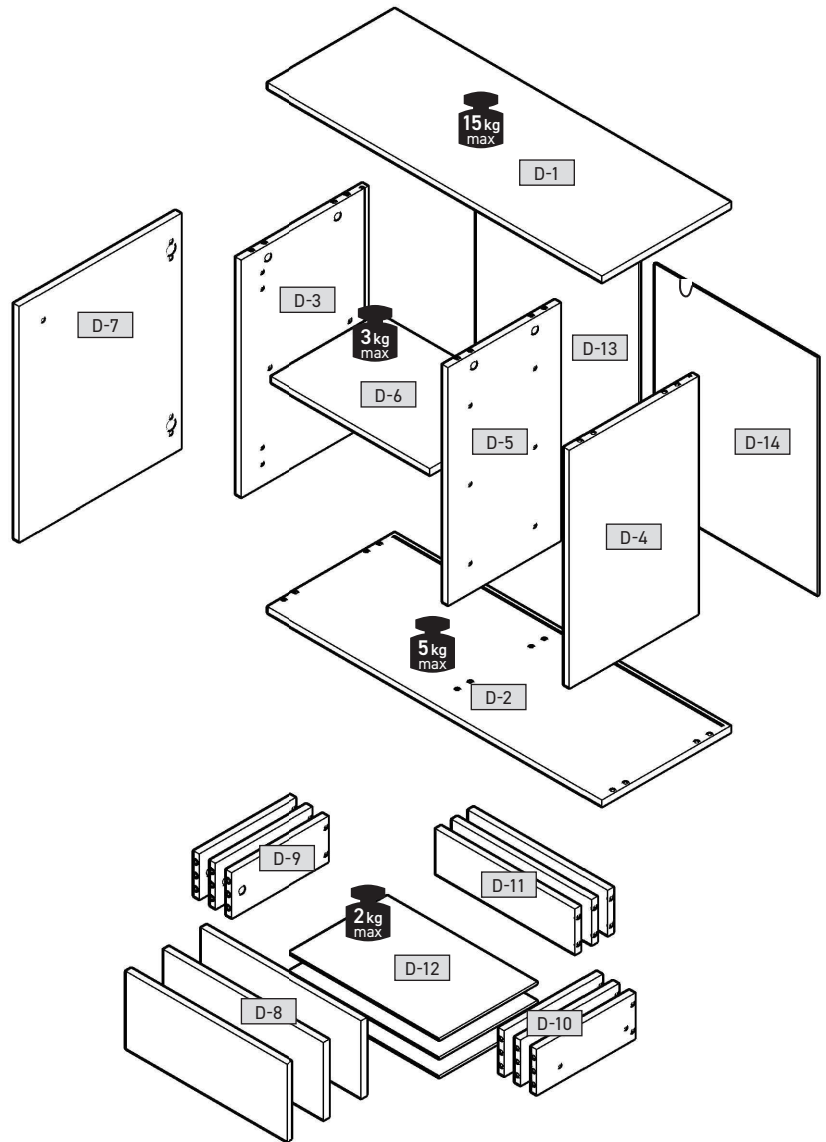
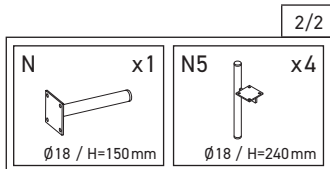


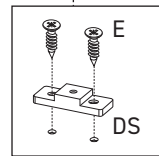
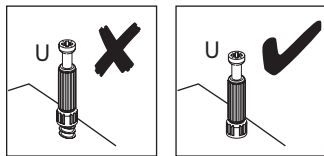
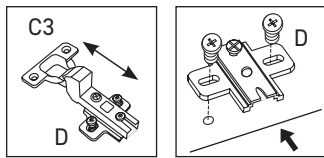
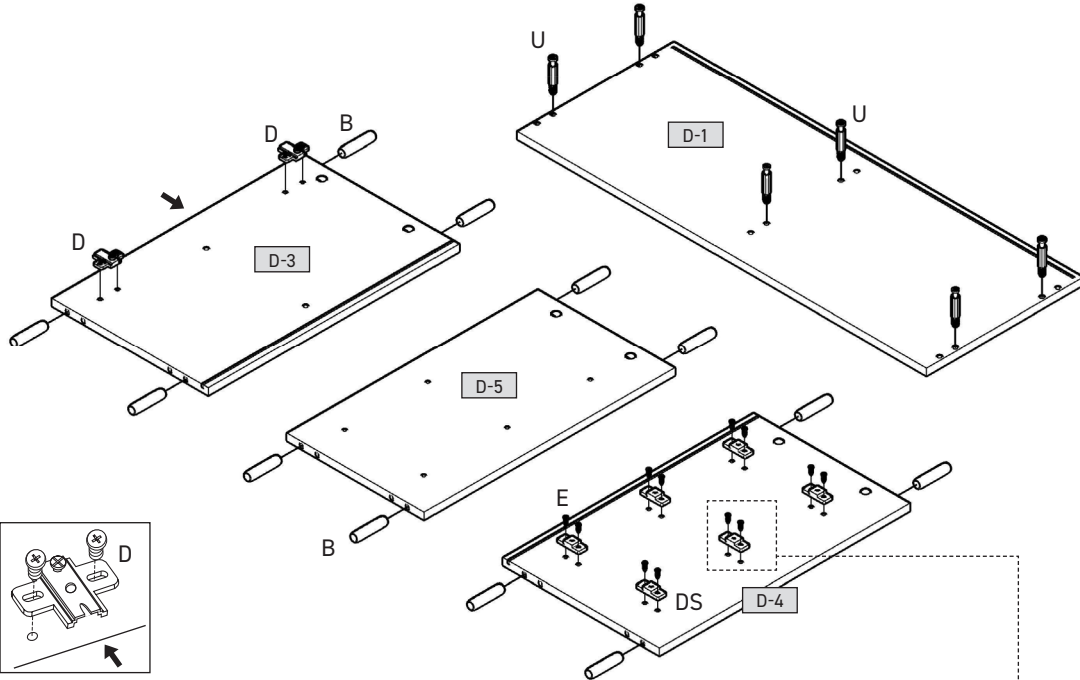
D-1	1033	395	16	x 1	1/2
D-2	1033	395	16	x 1	1/2
D-3	632	394	16	x 1	1/2
D-4	632	394	16	x 1	1/2
D-5	632	345	16	x 1	1/2
D-6	492	335	16	x 1	1/2
D-7	626	496	16	x 1	1/2
D-8	206	496	16	x 3	1/2
D-9	300	120	16	x 3	1/2
D-10	300	120	16	x 3	1/2
D-11	426	120	16	x 3	1/2
D-12	456	306	3	x 3	1/2
D-13	507	646	3	x 1	1/2
D-14	507	646	3	x 1	1/2



1



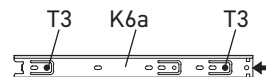
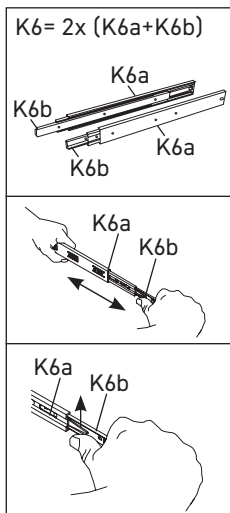
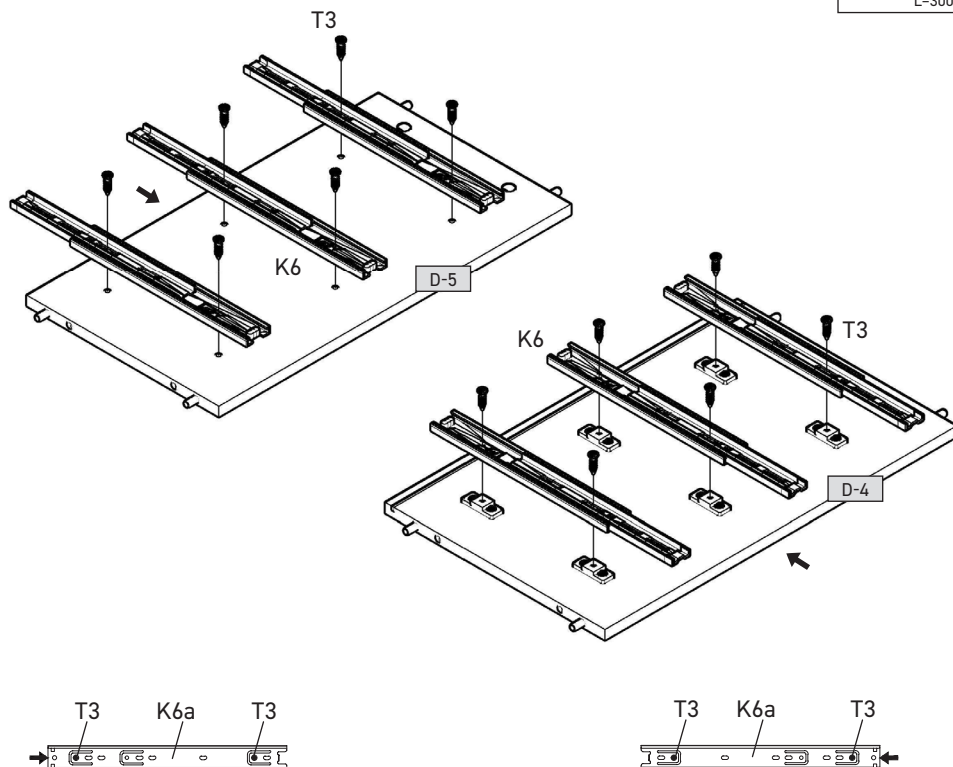
B x12 8x32mm	C3+D x2 W	DS x6 H=10mm	E x12 3,5x13mm	U x6 L=24,3mm
------------------------	---------------------	------------------------	--------------------------	-------------------------



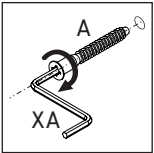
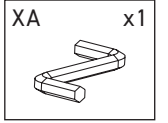
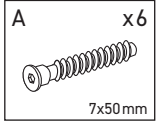
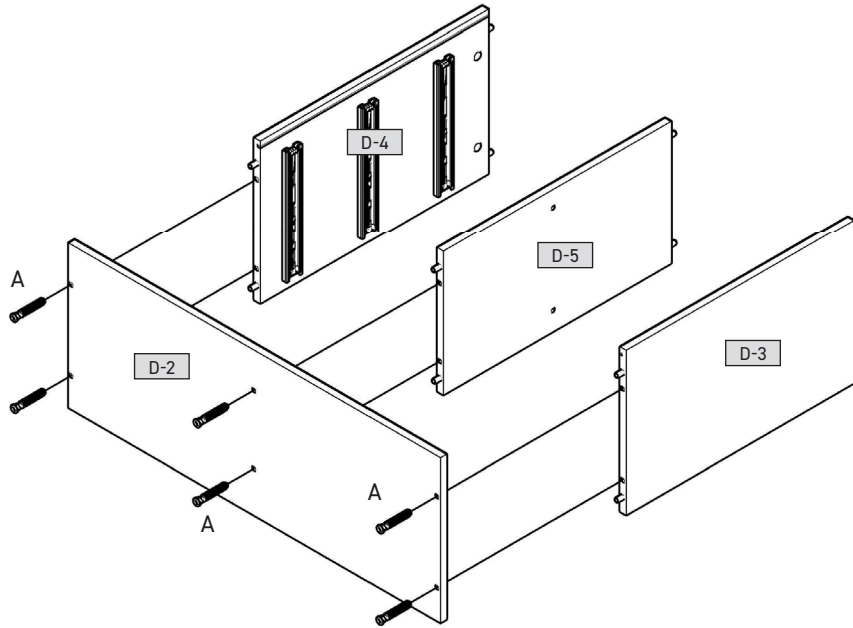
2



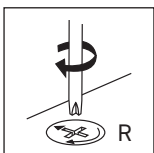
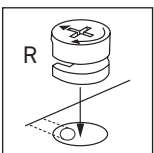
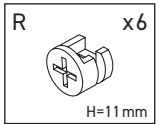
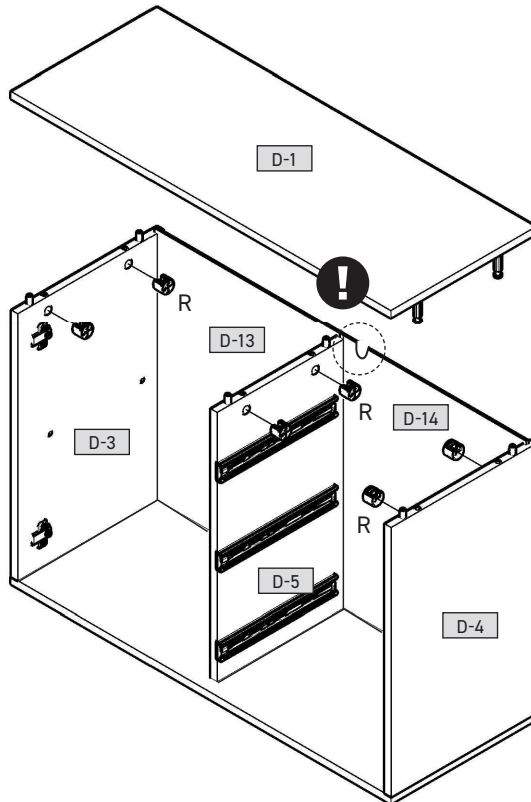
K6 x3 L=300mm	T3 x12 5x9mm
-------------------------	------------------------



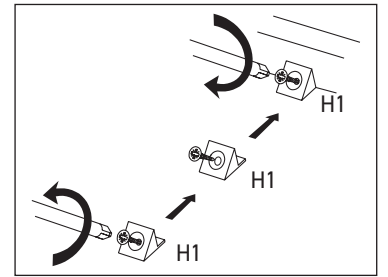
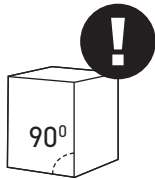
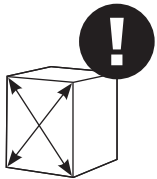
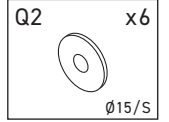
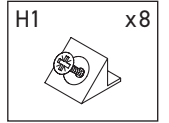
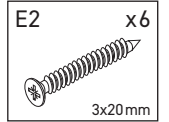
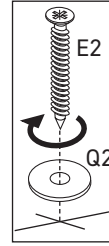
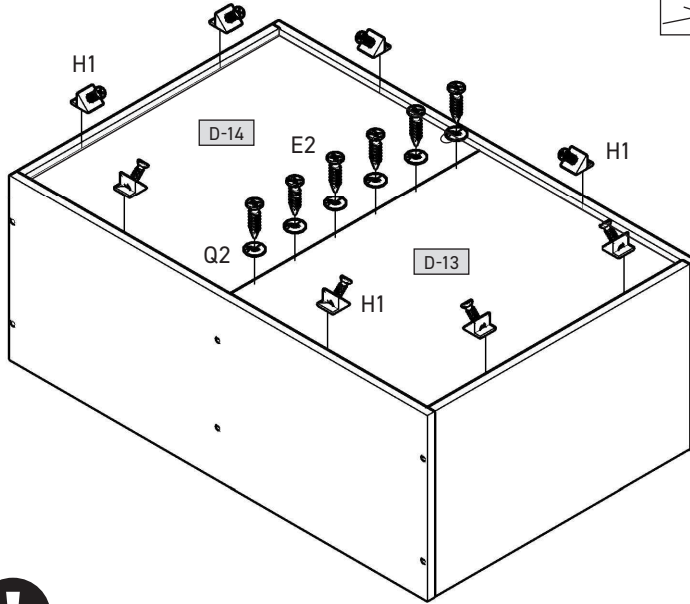
3



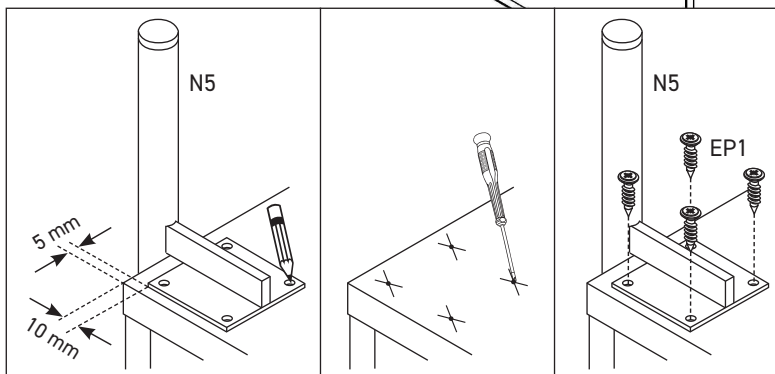
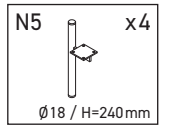
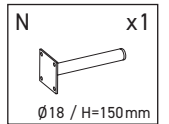
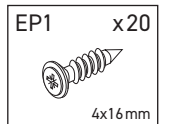
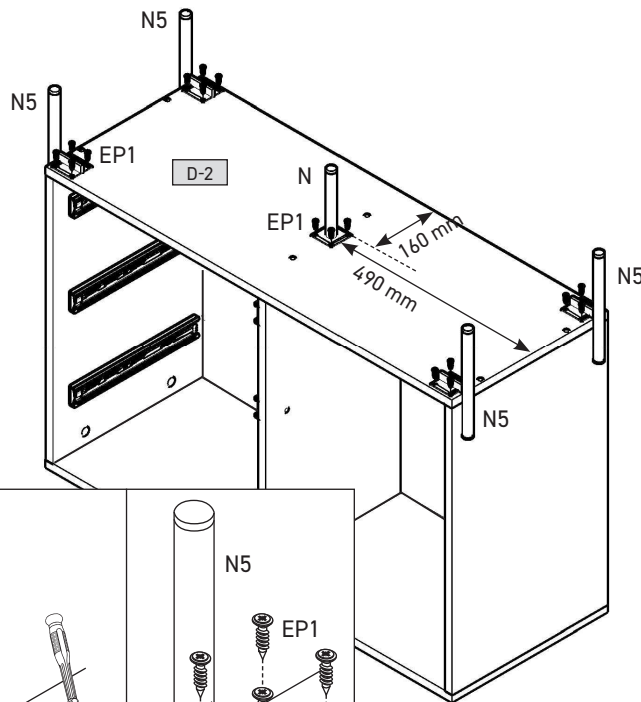
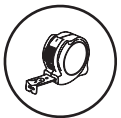
4



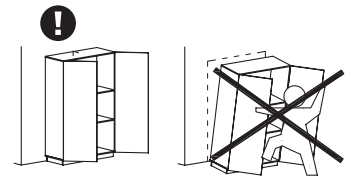
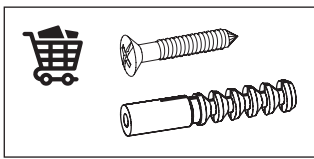
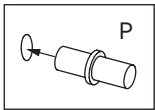
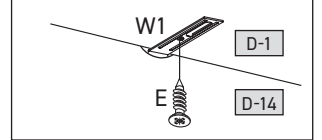
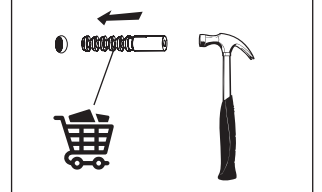
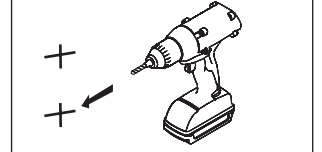
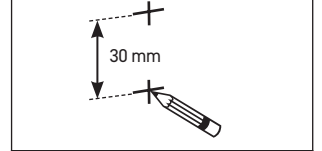
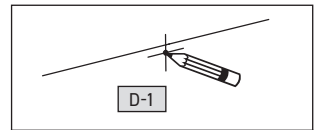
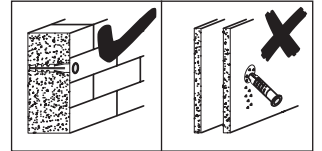
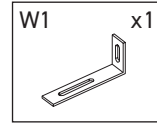
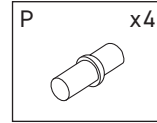
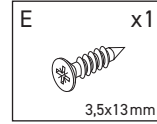
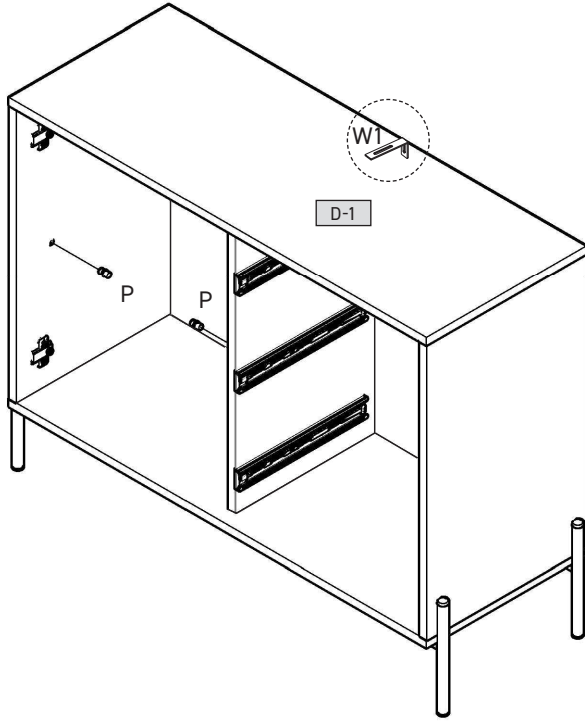
5



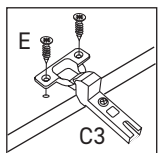
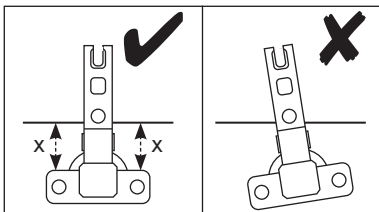
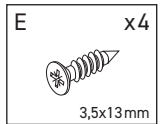
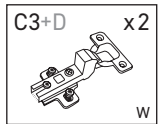
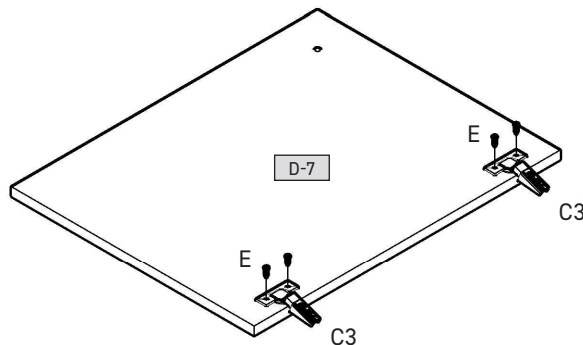
6



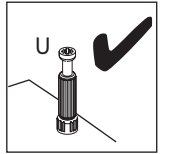
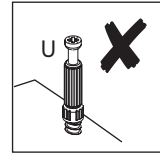
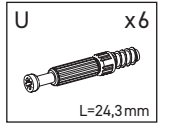
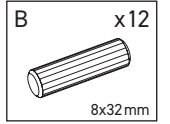
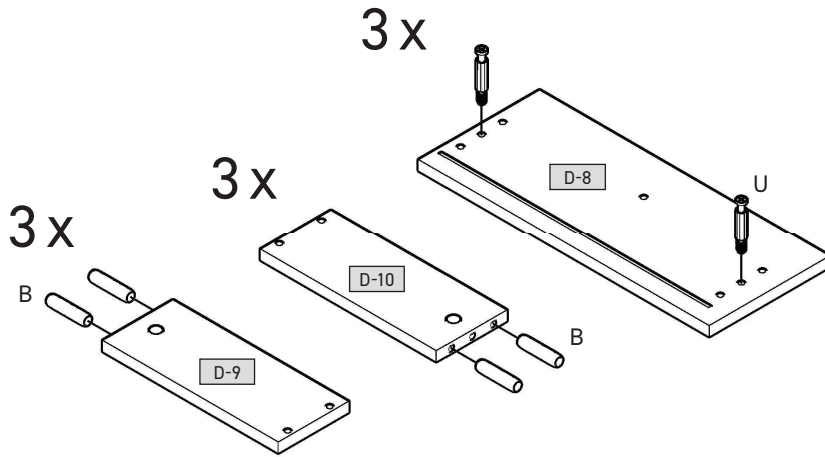
7



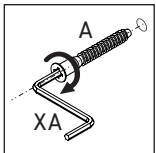
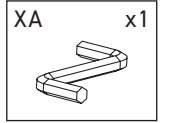
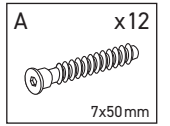
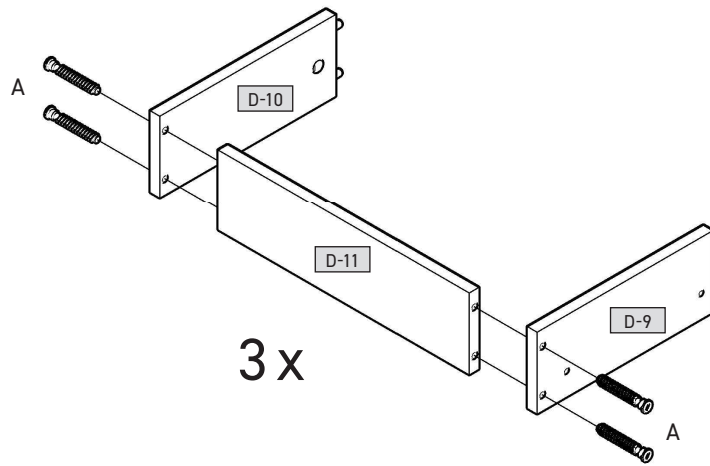
8



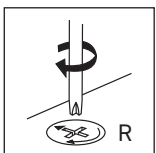
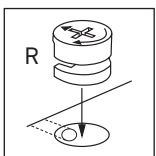
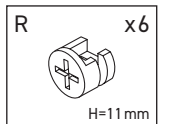
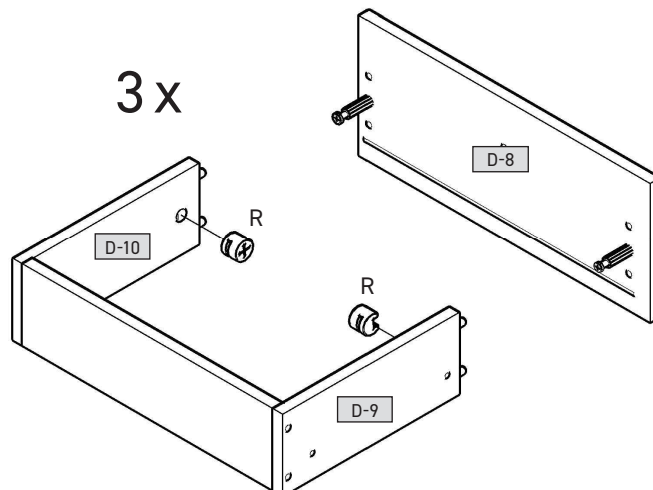
9



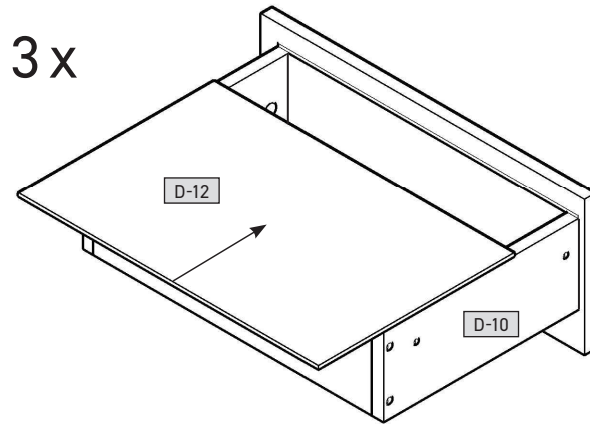
10



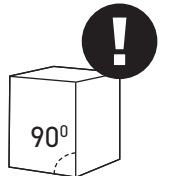
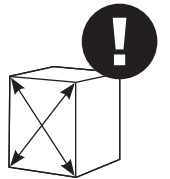
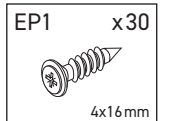
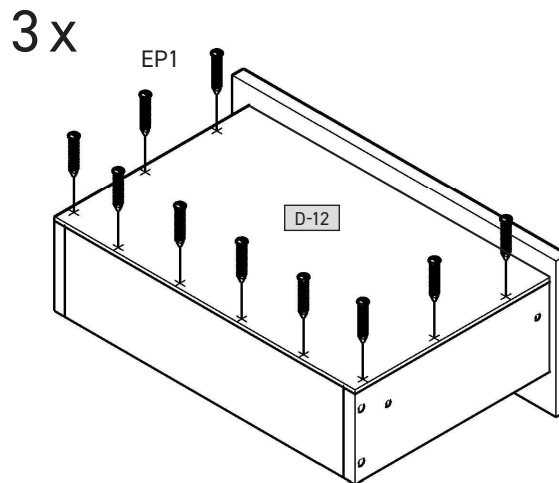
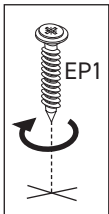
11



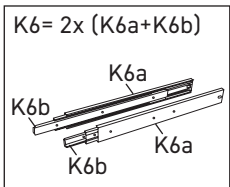
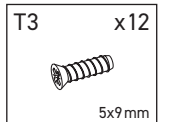
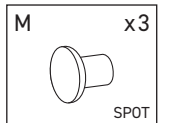
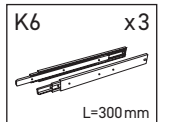
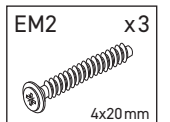
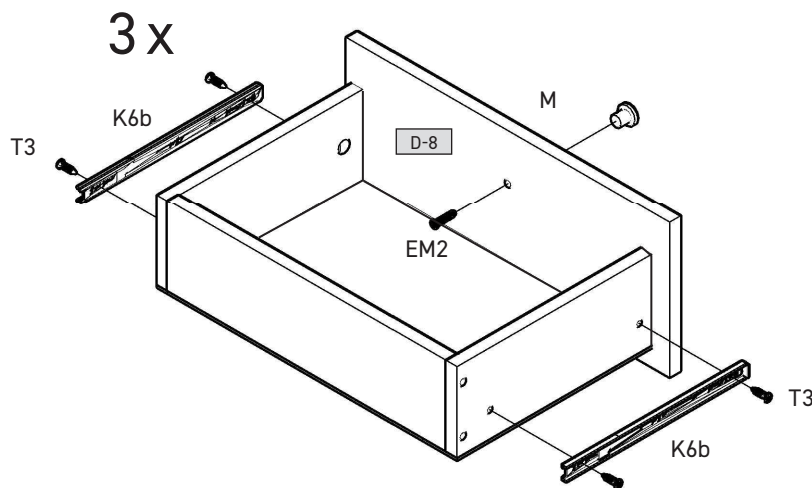
12



13



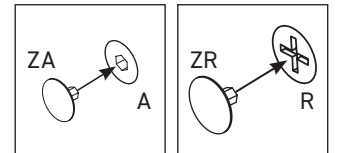
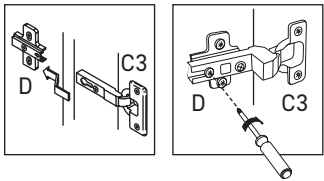
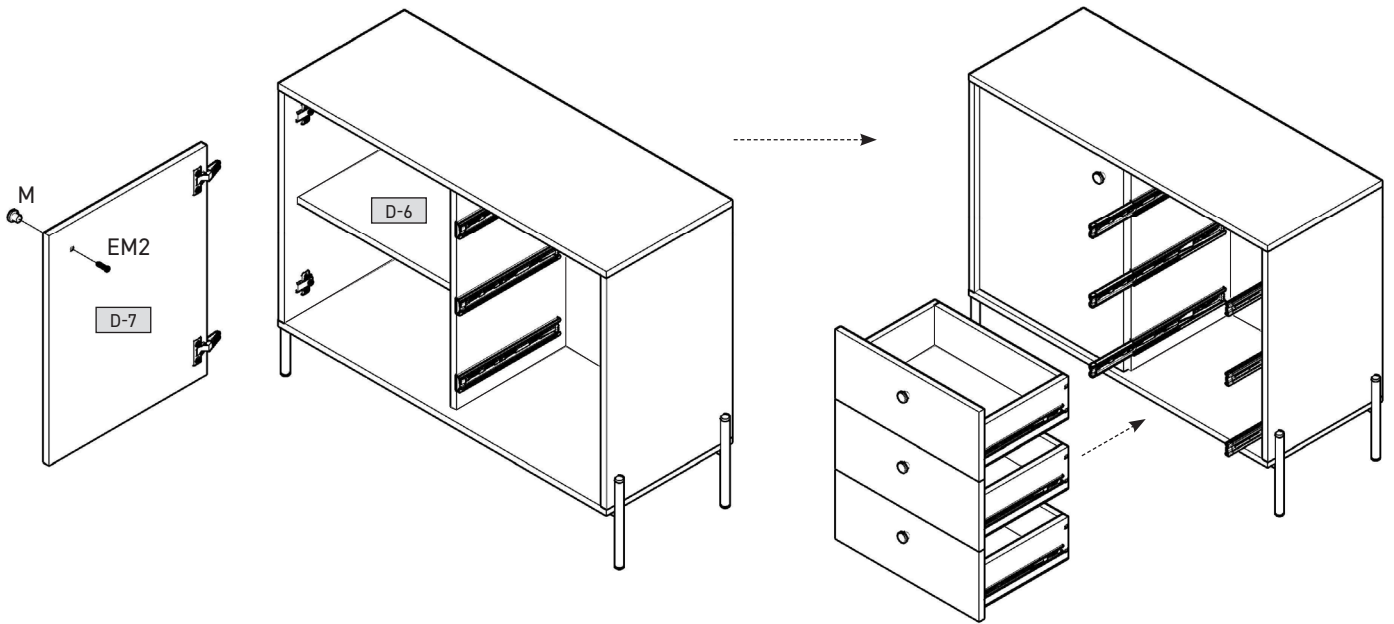
14



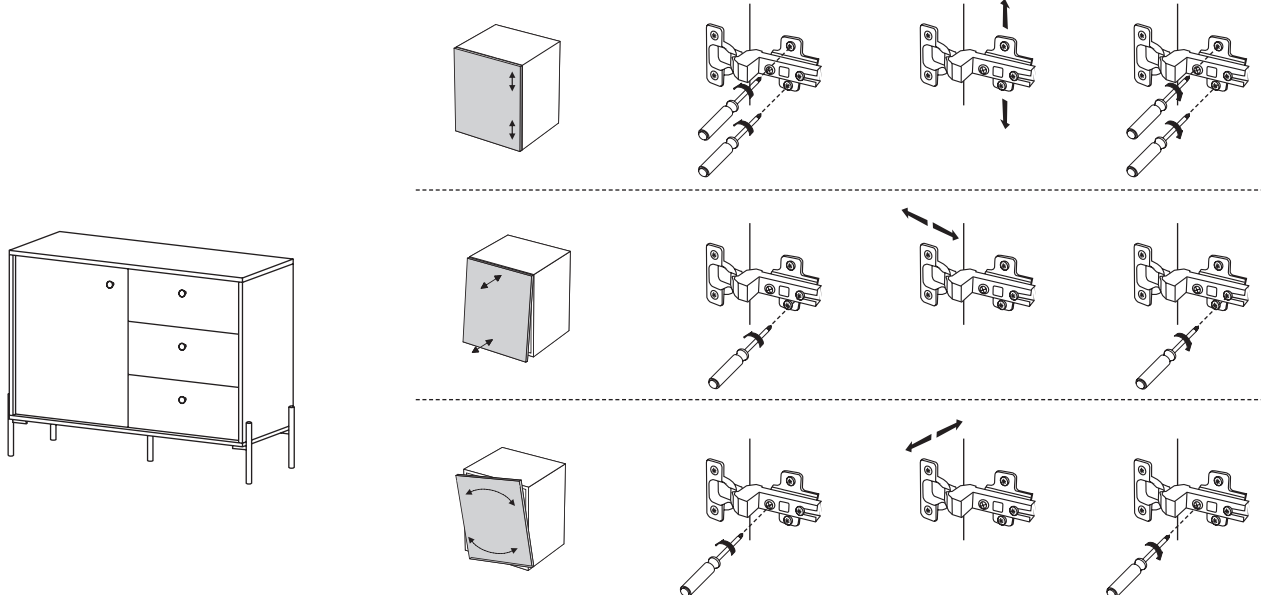
15

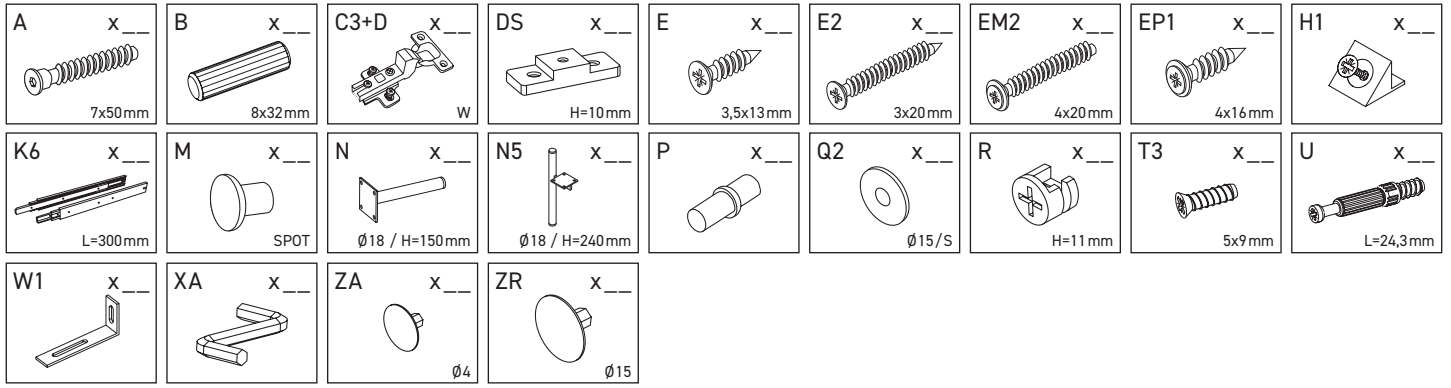


EM2 4x20mm x1	M SPOT x1	ZA Ø4 x18	ZR Ø15 x12
---------------------	-----------------	-----------------	------------------

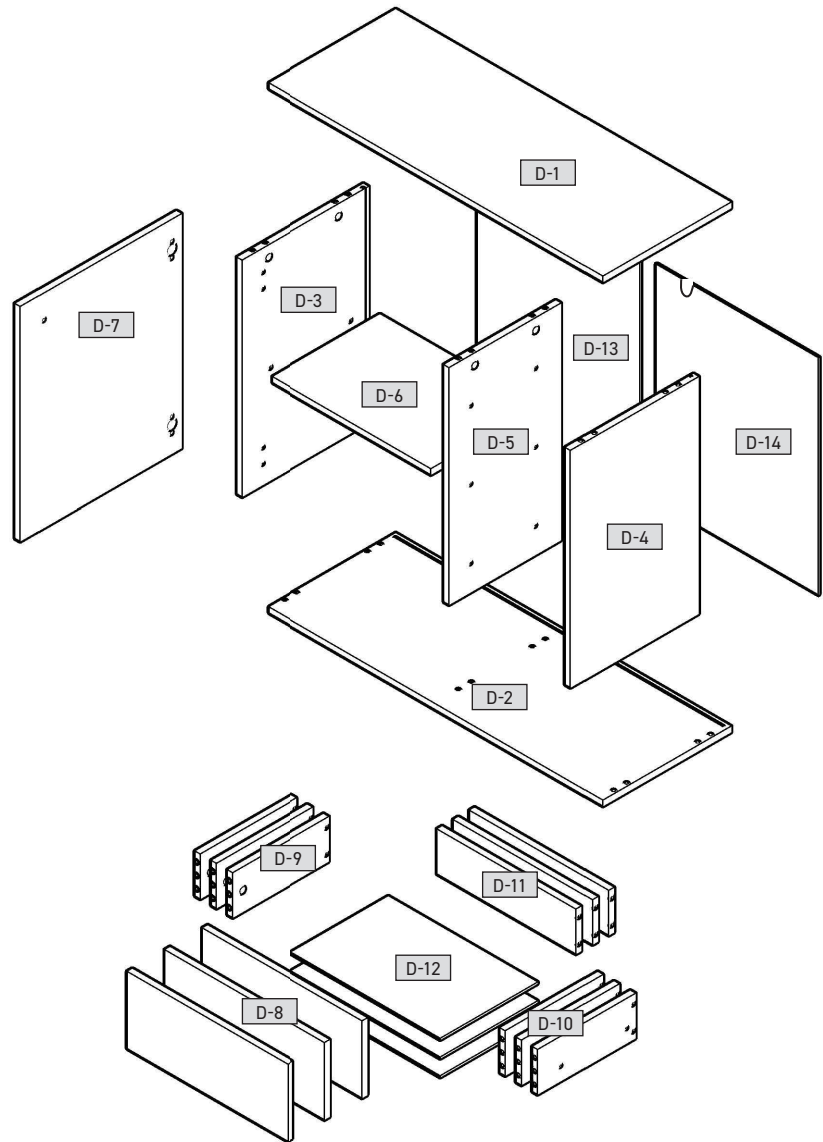


16





D-1	1033	395	16	x 1	1/2
D-2	1033	395	16	x 1	1/2
D-3	632	394	16	x 1	1/2
D-4	632	394	16	x 1	1/2
D-5	632	345	16	x 1	1/2
D-6	492	335	16	x 1	1/2
D-7	626	496	16	x 1	1/2
D-8	206	496	16	x 3	1/2
D-9	300	120	16	x 3	1/2
D-10	300	120	16	x 3	1/2
D-11	426	120	16	x 3	1/2
D-12	456	306	3	x 3	1/2
D-13	507	646	3	x 1	1/2
D-14	507	646	3	x 1	1/2



2/2

