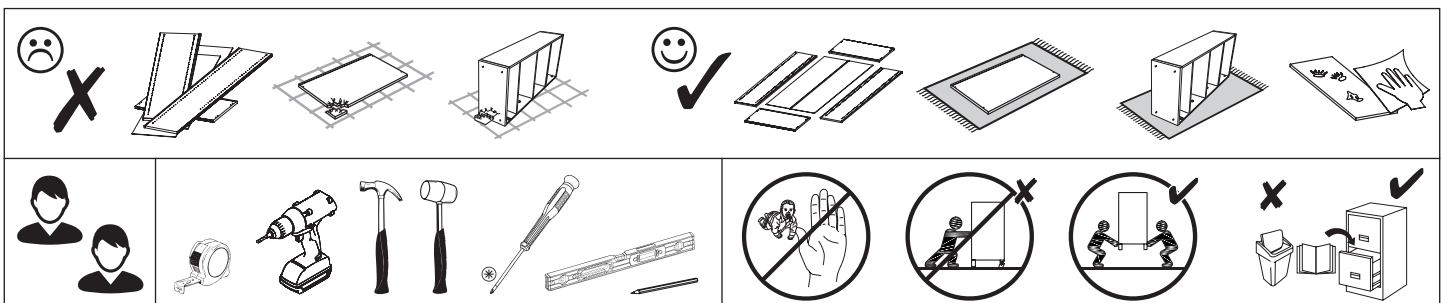
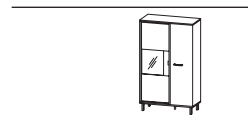
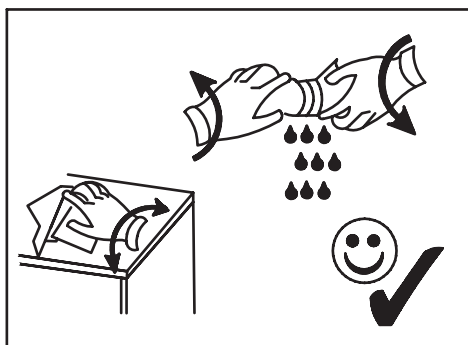
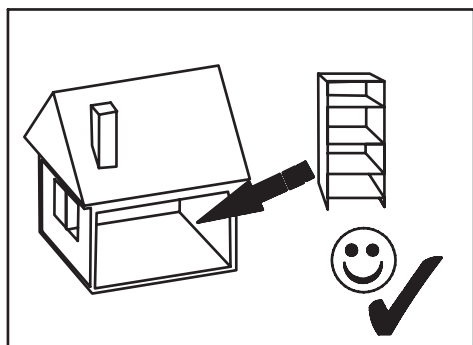
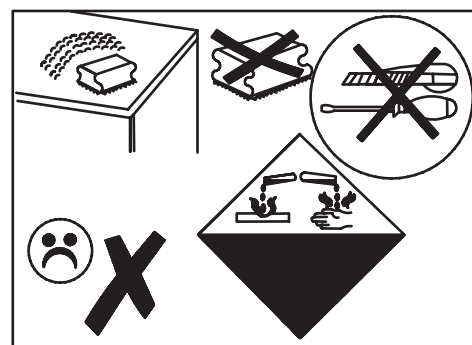
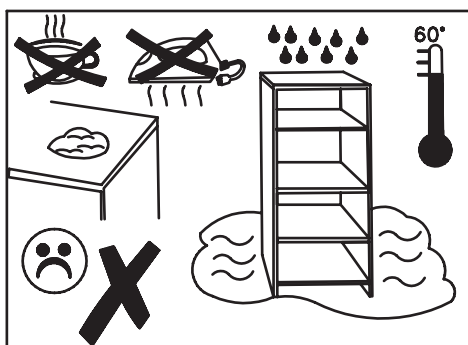
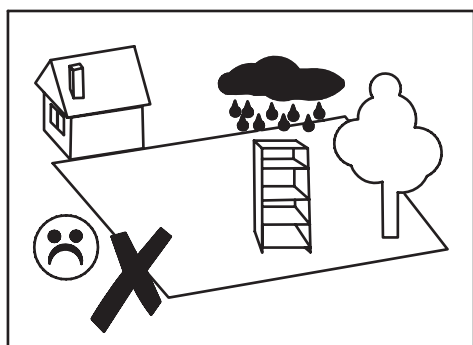


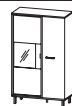
2022-03-30



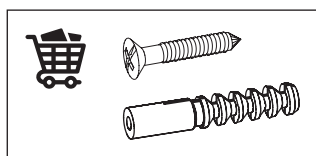


kontaktujte špecialistu. Montáž musí byť vykonaná kompetentnou osobou.

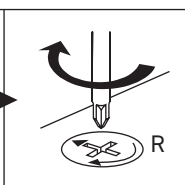
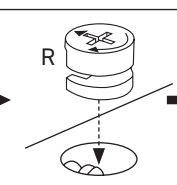
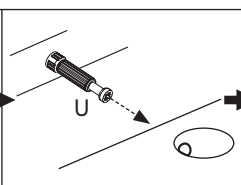
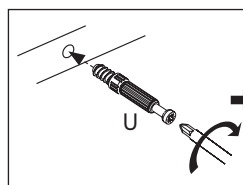
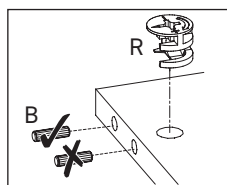
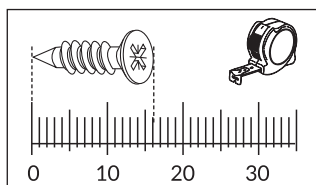
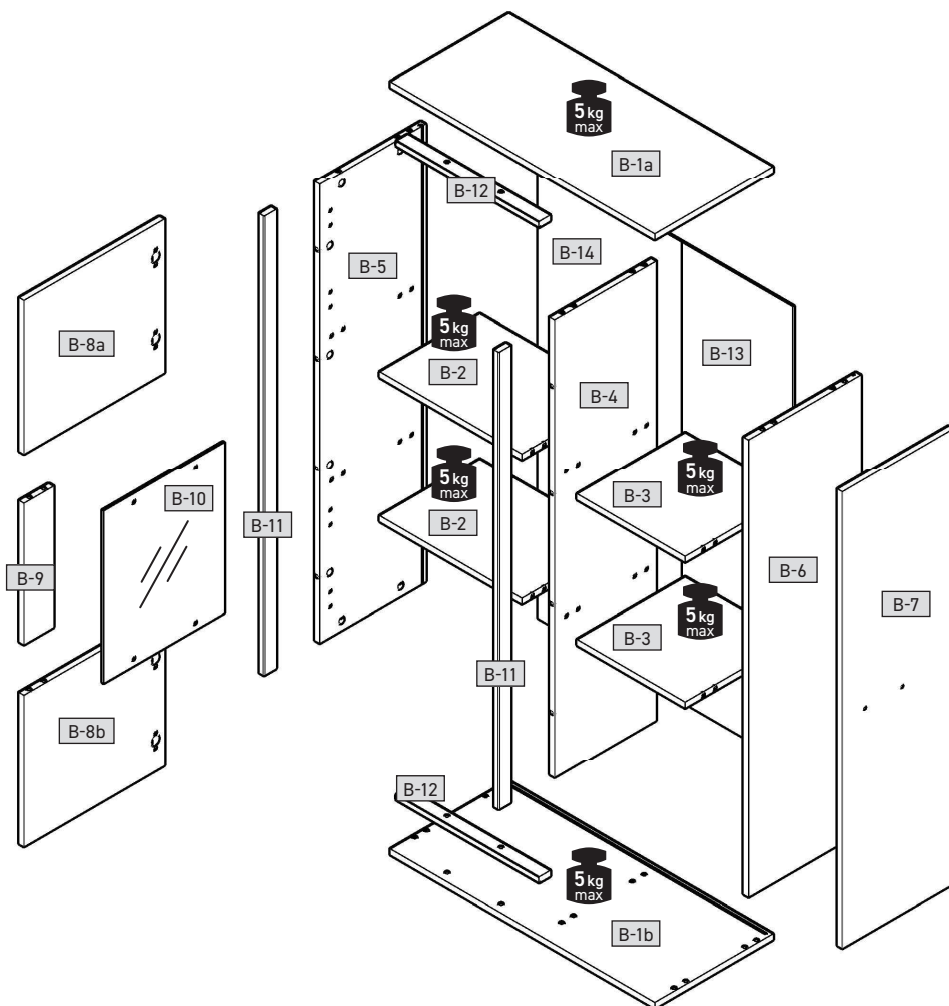


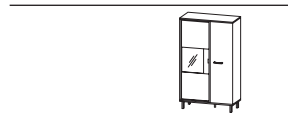


B x20 8x32mm	B3 x8 8x50mm	C+D x3 P	C3+D x4 W	E x35 3,5x13mm	E2 x19 3x20mm	EM2 x2 4x25mm	EP1 x4 4x16mm	H1 x10
HDF x1 414x100mm	M1 x1 UU52-128	M2 x1 HEXI	N x1 Ø18 / H=120mm	N2 x4 20x40 / H=120mm	Q x4 Ø8	Q2 x9 Ø15/S	R x36 H=11mm	T4 x4 6,3x24mm
U x28 L=24,3mm	U3 x4 L=69mm	W1 x1	XG x1	ZR x36 Ø15				

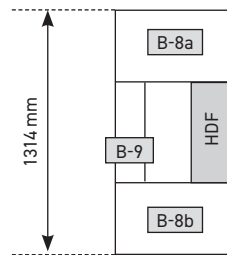
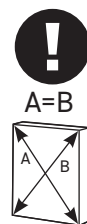
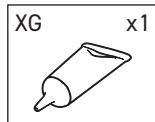
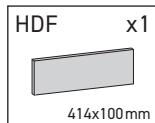
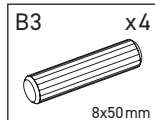
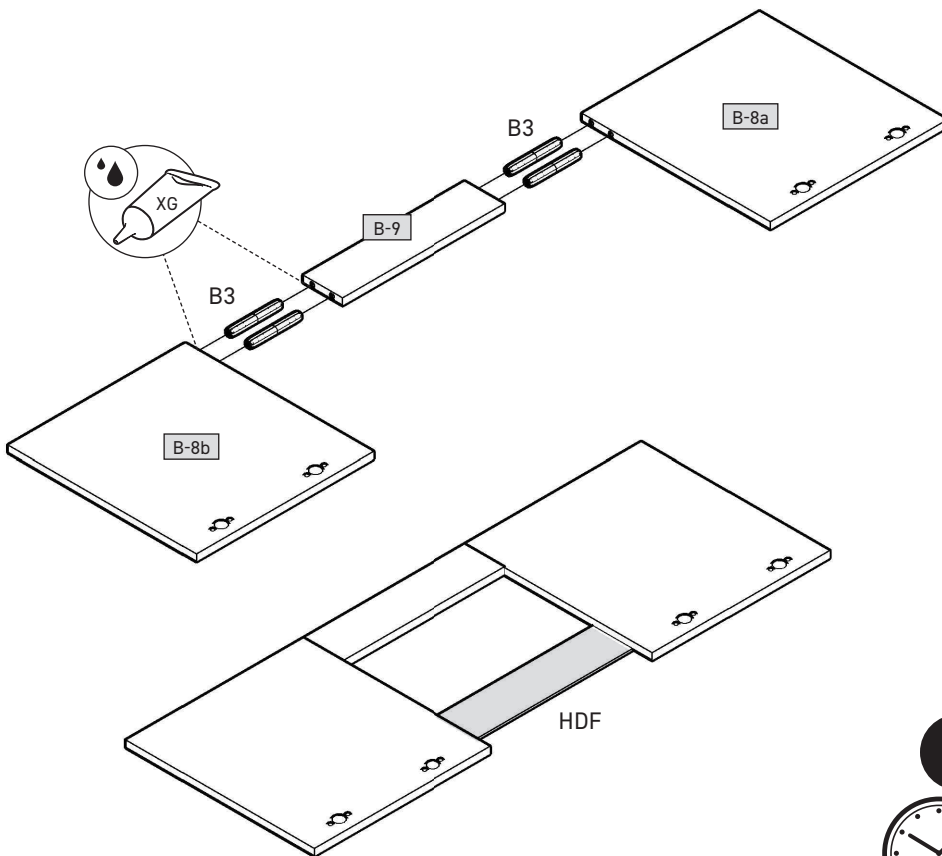
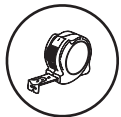


B-1a	900	402	16	x 1	1/1
B-1b	900	402	16	x 1	1/1
B-2	484	340	16	x 2	1/1
B-3	367	367	16	x 2	1/1
B-4	1352	345	16	x 1	1/1
B-5	1352	360	16	x 1	1/1
B-6	1352	382	16	x 1	1/1
B-7	378	1346	16	x 1	1/1
B-8a	478	450	16	x 1	1/1
B-8b	478	450	16	x 1	1/1
B-9	414	100	16	x 1	1/1
B-10	504	410	4	x 1	1/1
B-11	1352	40	16	x 2	1/1
B-12	484	38	16	x 2	1/1
B-13	382	1366	3	x 1	1/1
B-14	498	1366	3	x 1	1/1

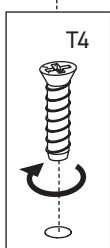
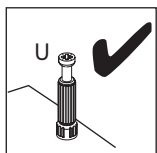
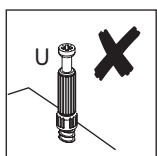
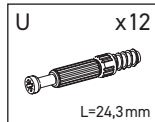
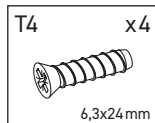
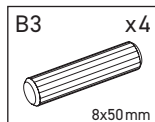
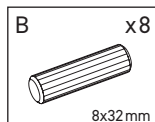
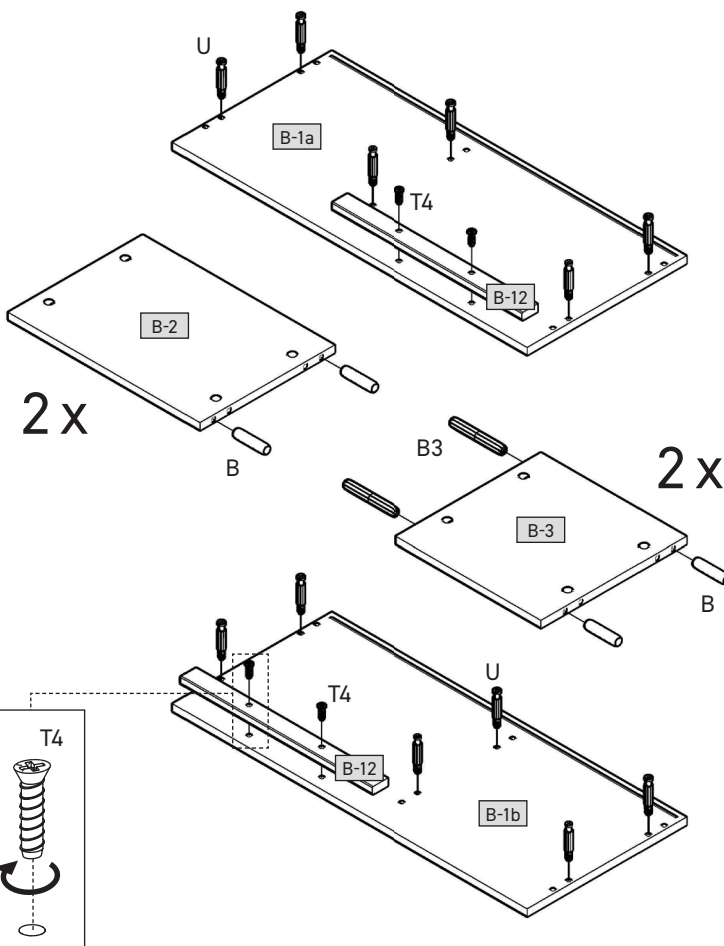


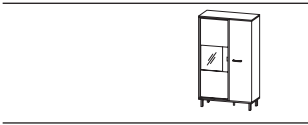


1

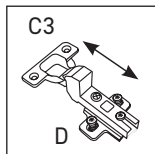
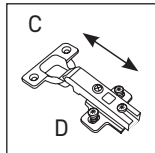
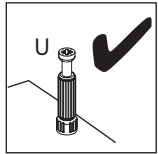
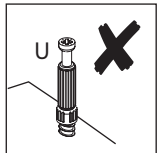
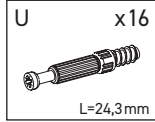
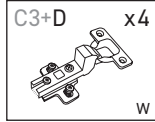
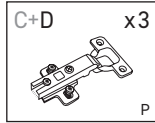
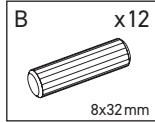
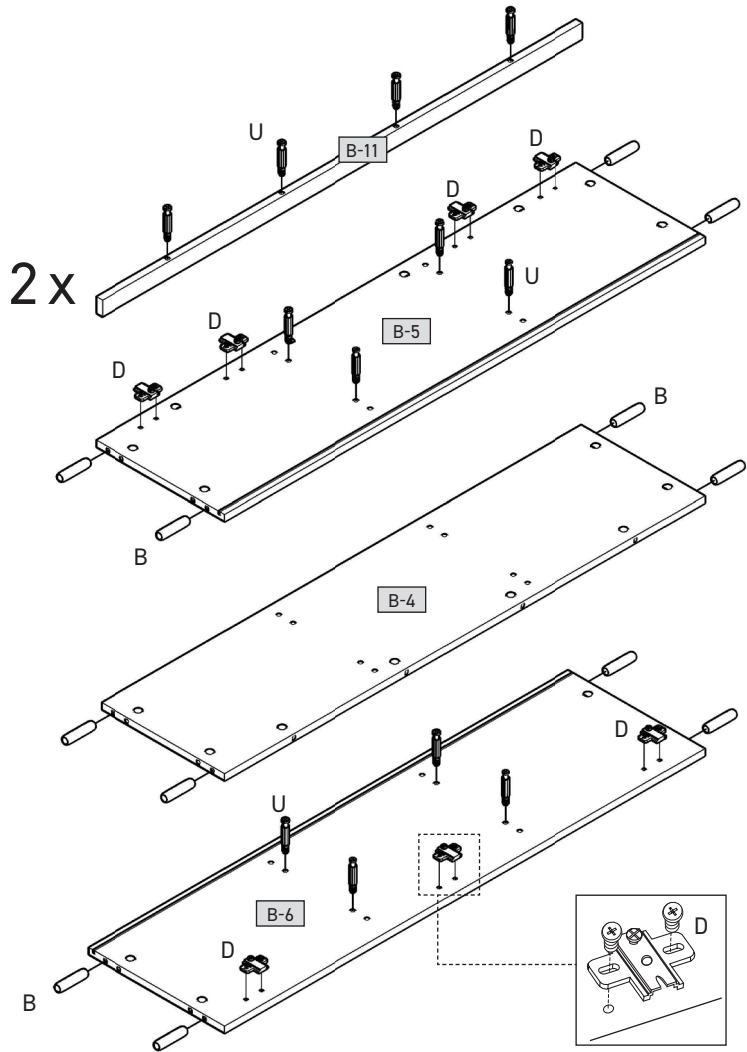


2

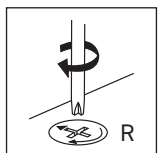
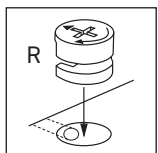
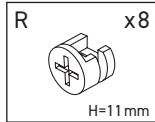
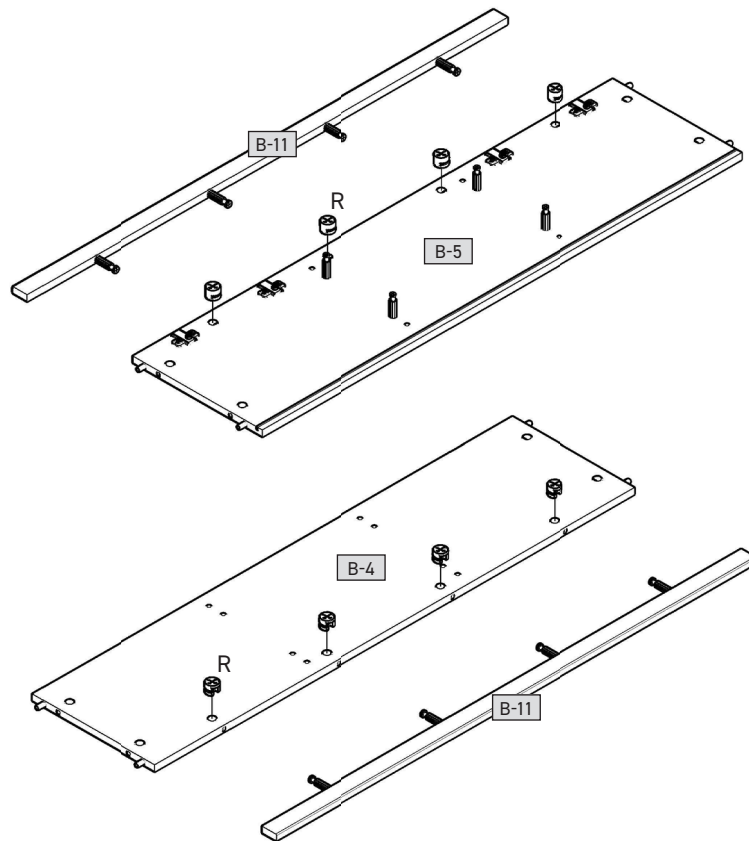




3

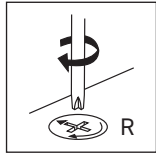
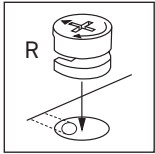
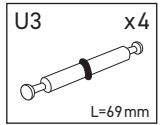
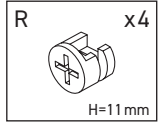
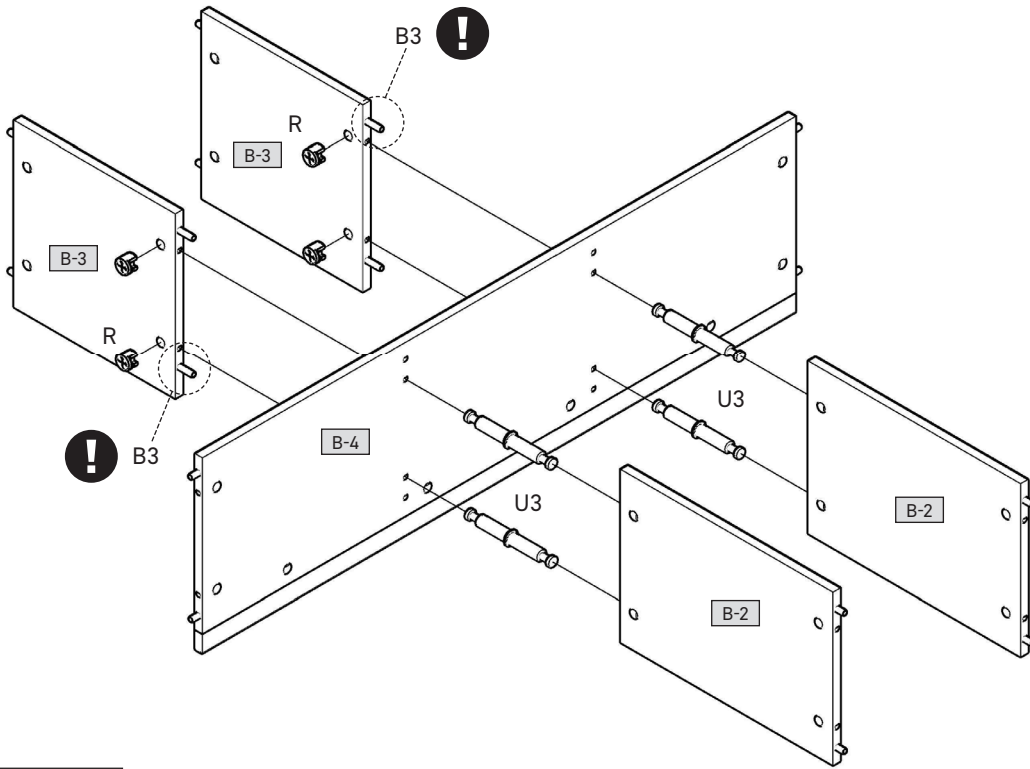


4

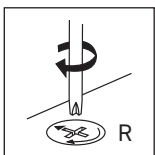
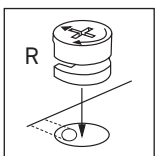
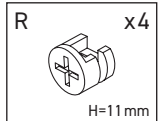
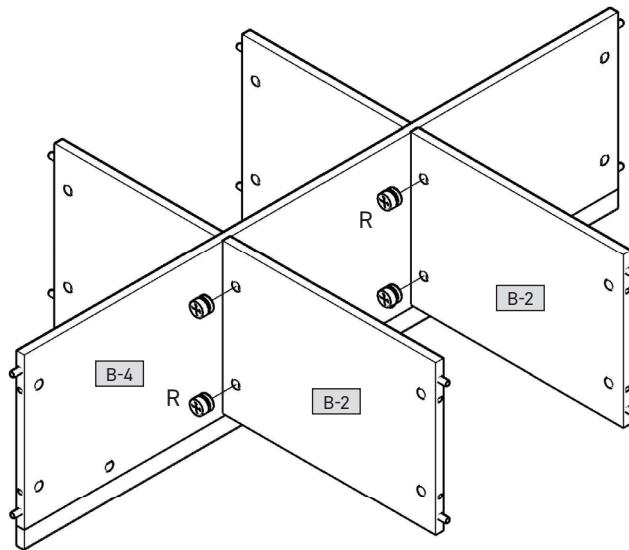


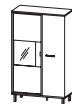


5

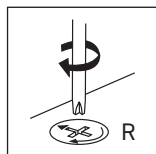
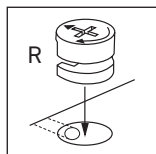
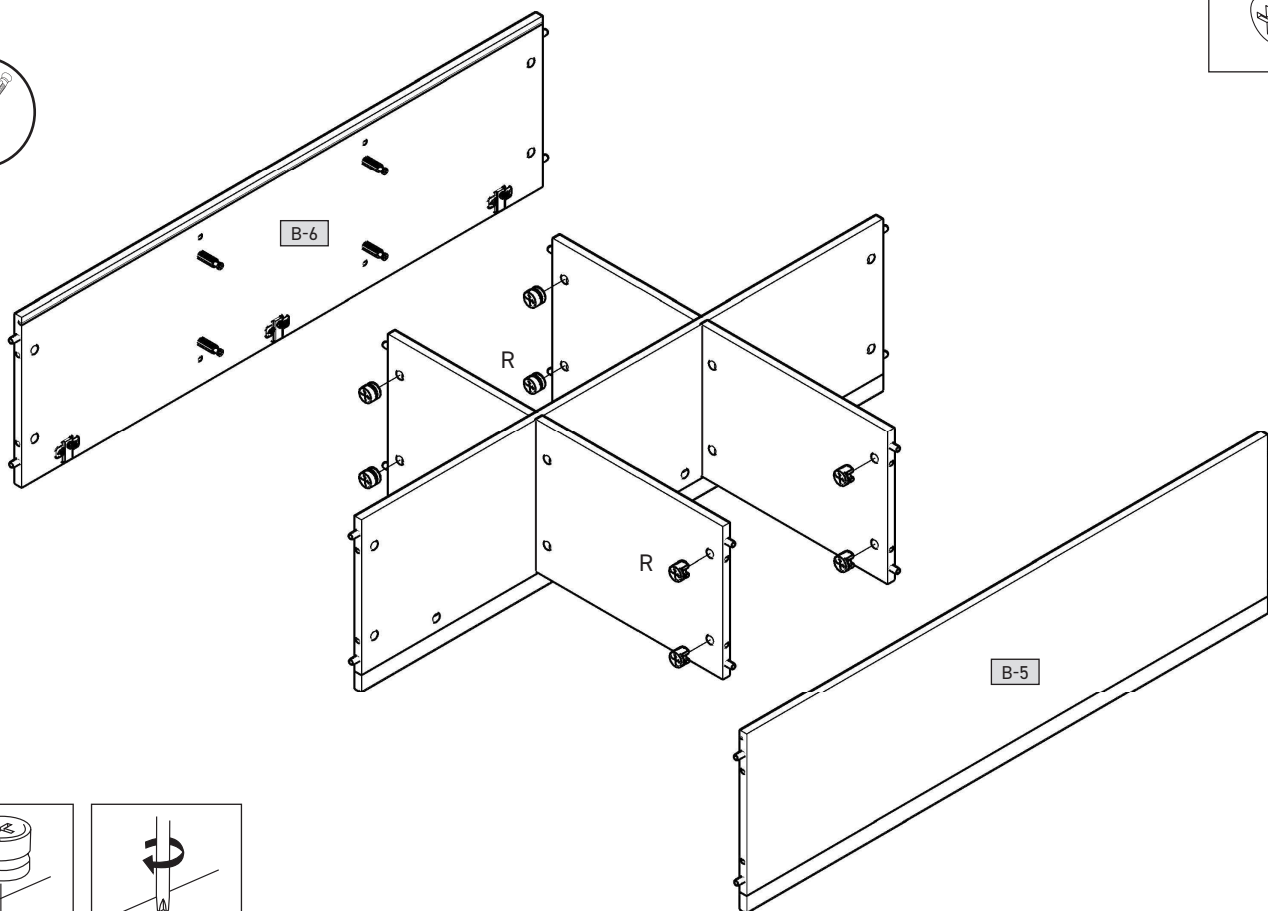
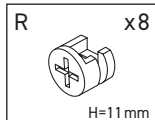


6

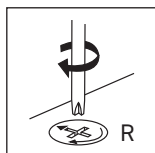
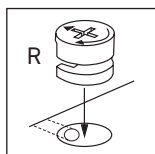
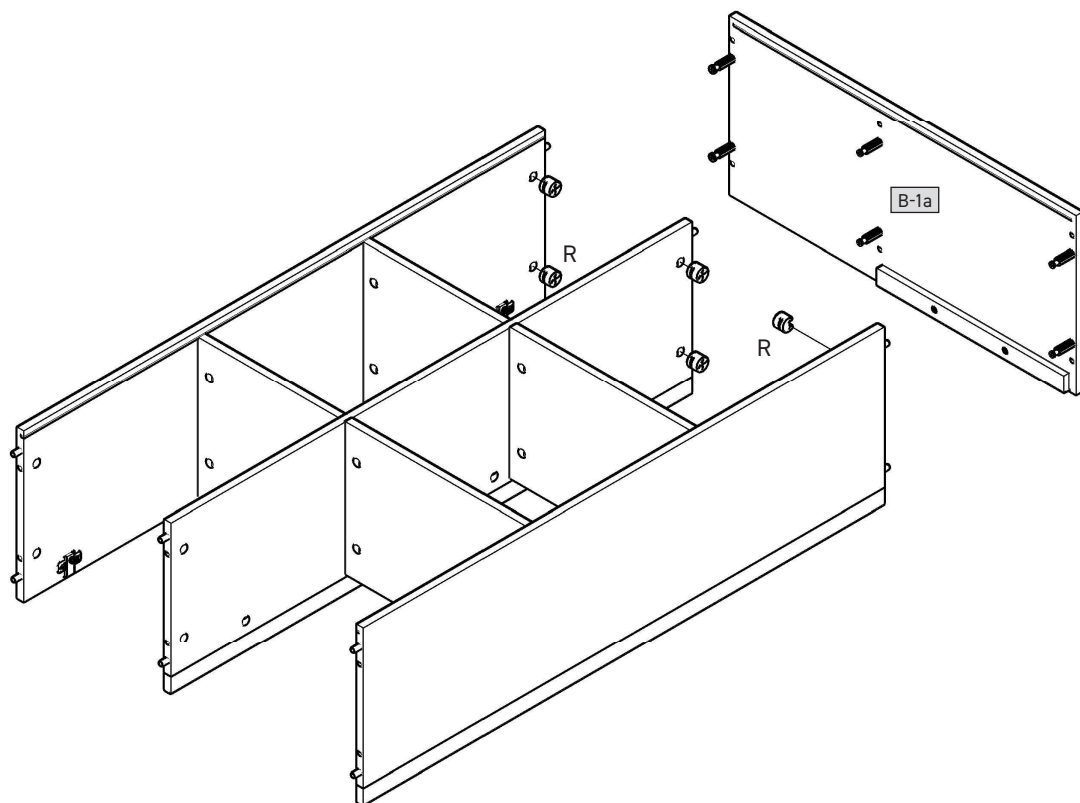
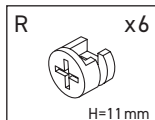


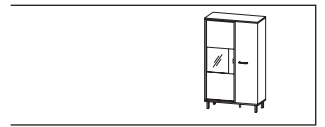


7



8

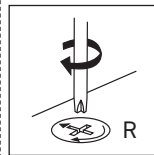
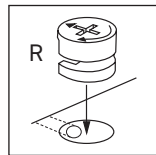
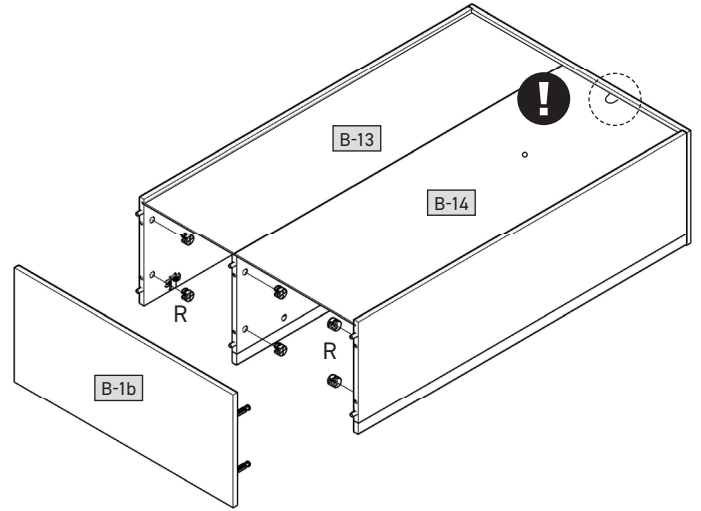
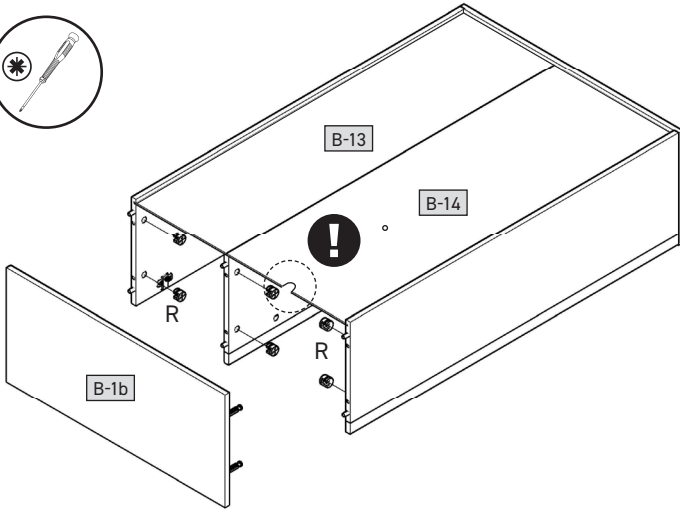
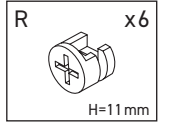
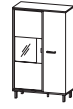




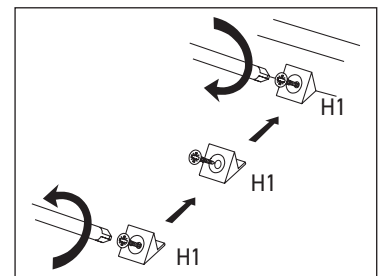
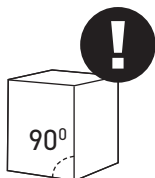
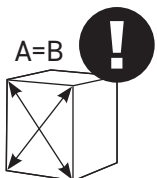
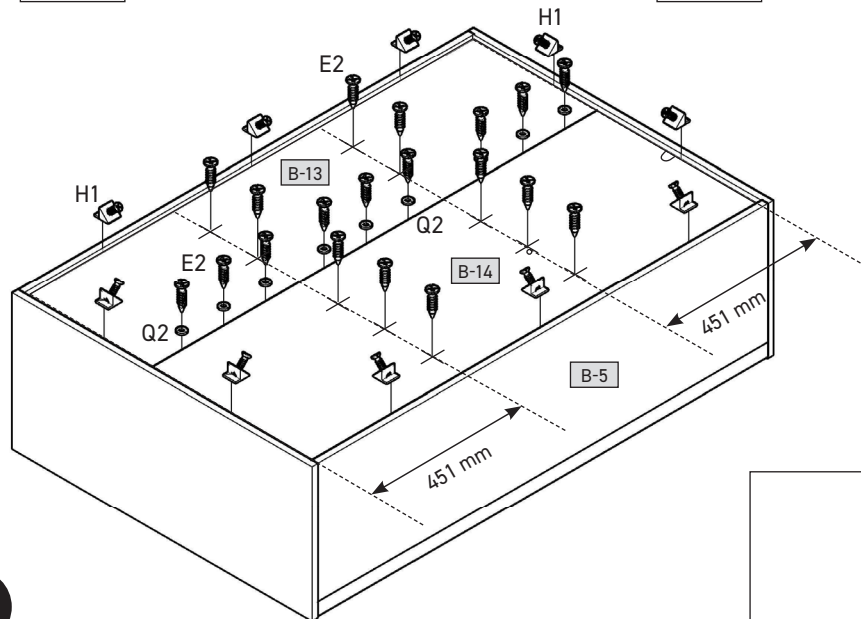
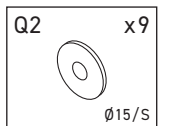
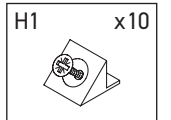
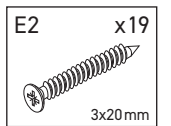
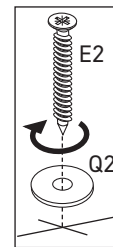
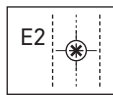
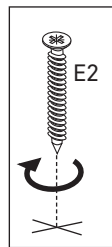
9 L

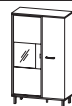


9 R

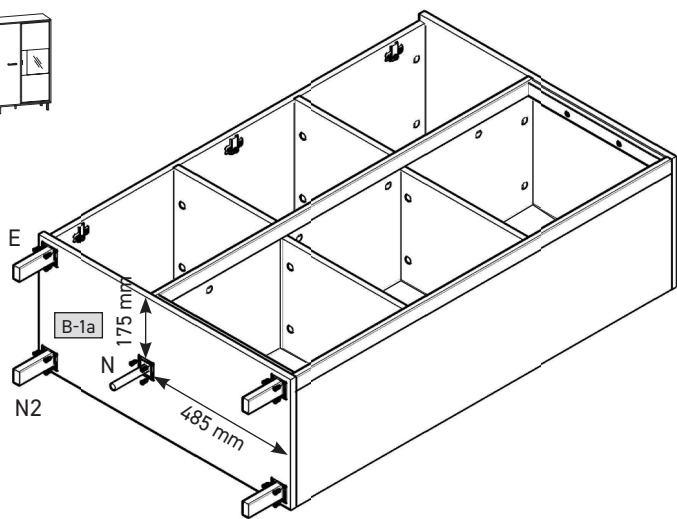
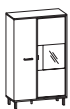


10

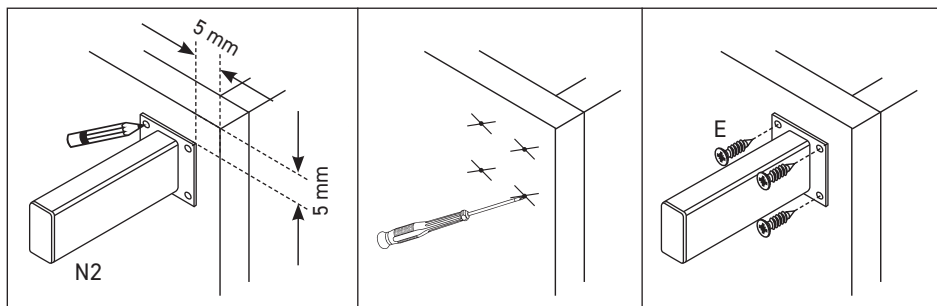
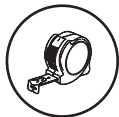
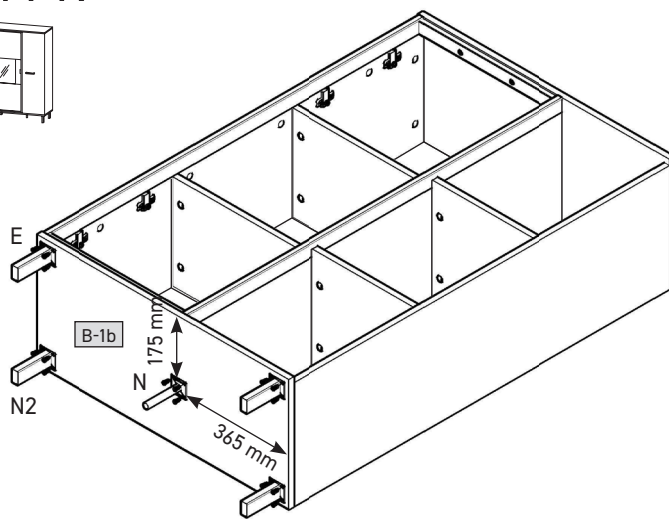
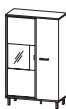




11 L



11 R

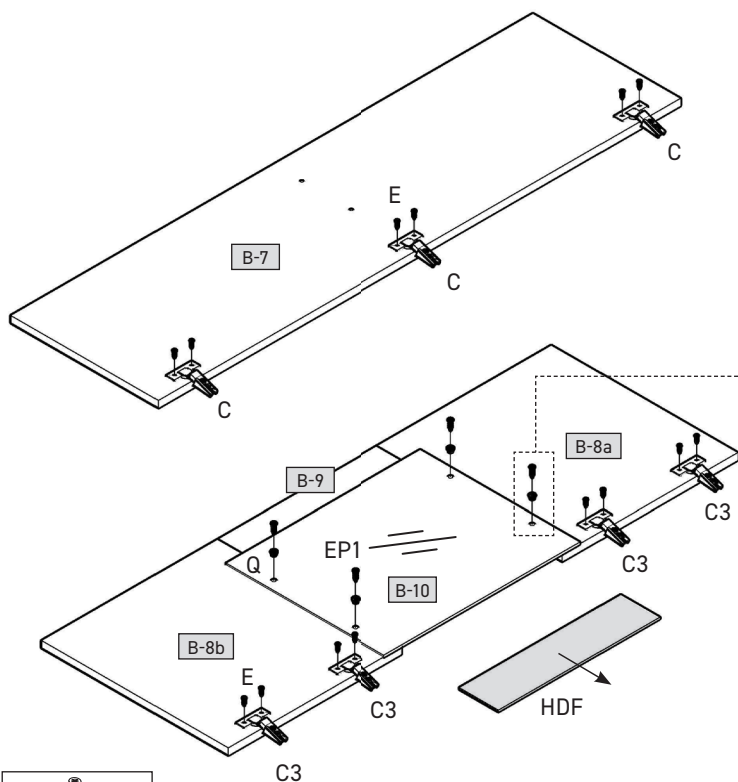


E x20
3,5x13mm

N x1
Ø18 / H=120mm

N2 x4
20x40 / H=120mm

12



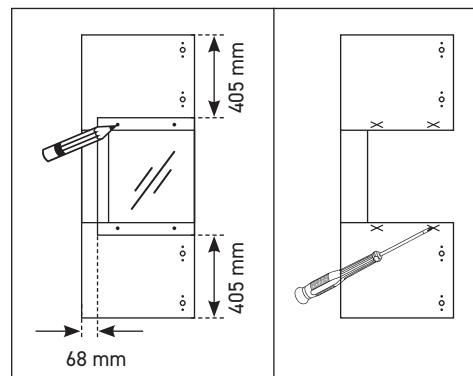
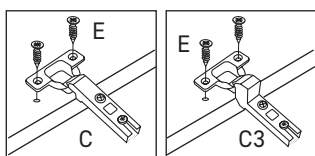
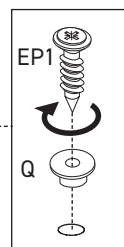
C+D x3
P

C3+D x4
W

E x14
3,5x13mm

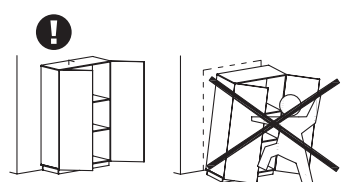
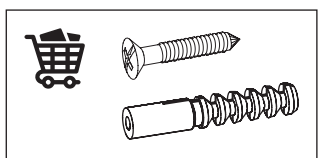
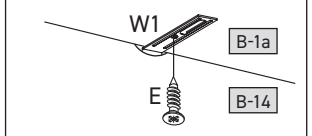
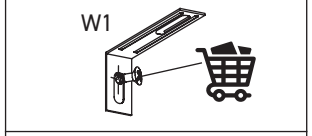
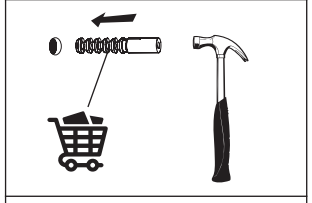
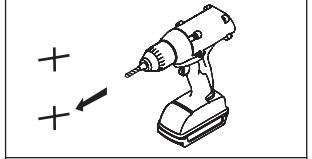
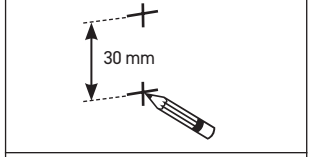
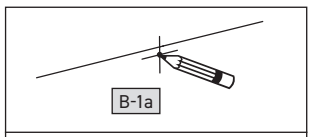
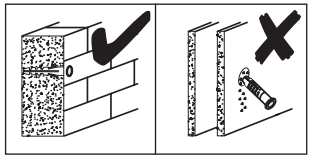
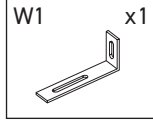
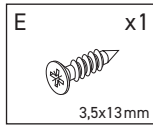
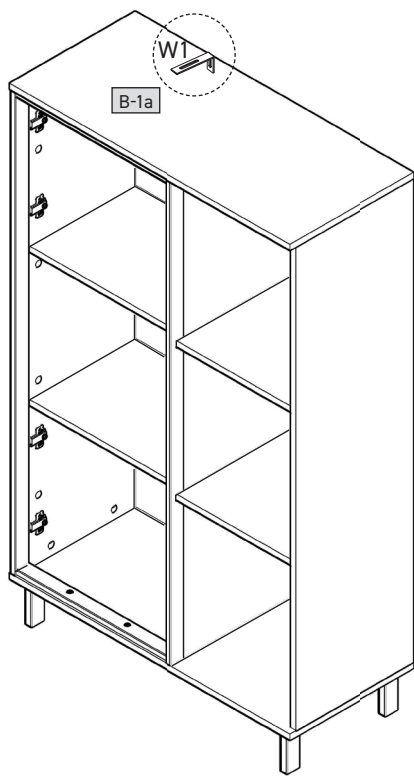
EP1 x4
4x16mm

Q x4
Ø8

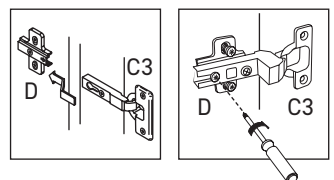
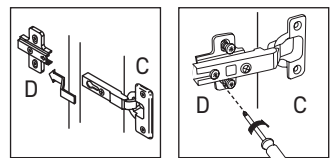
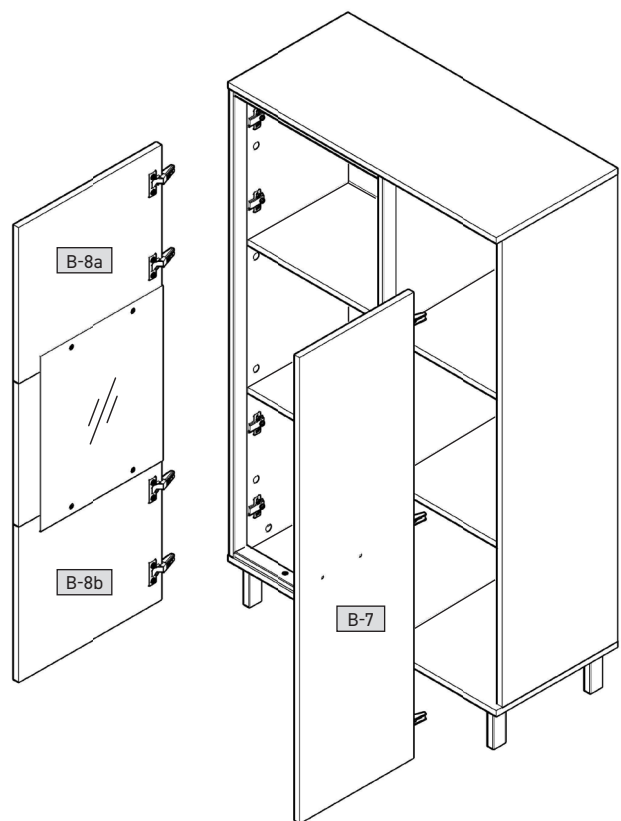




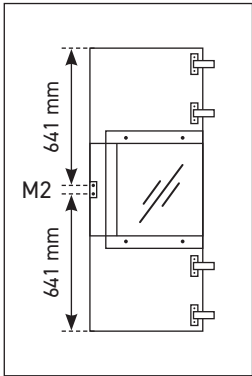
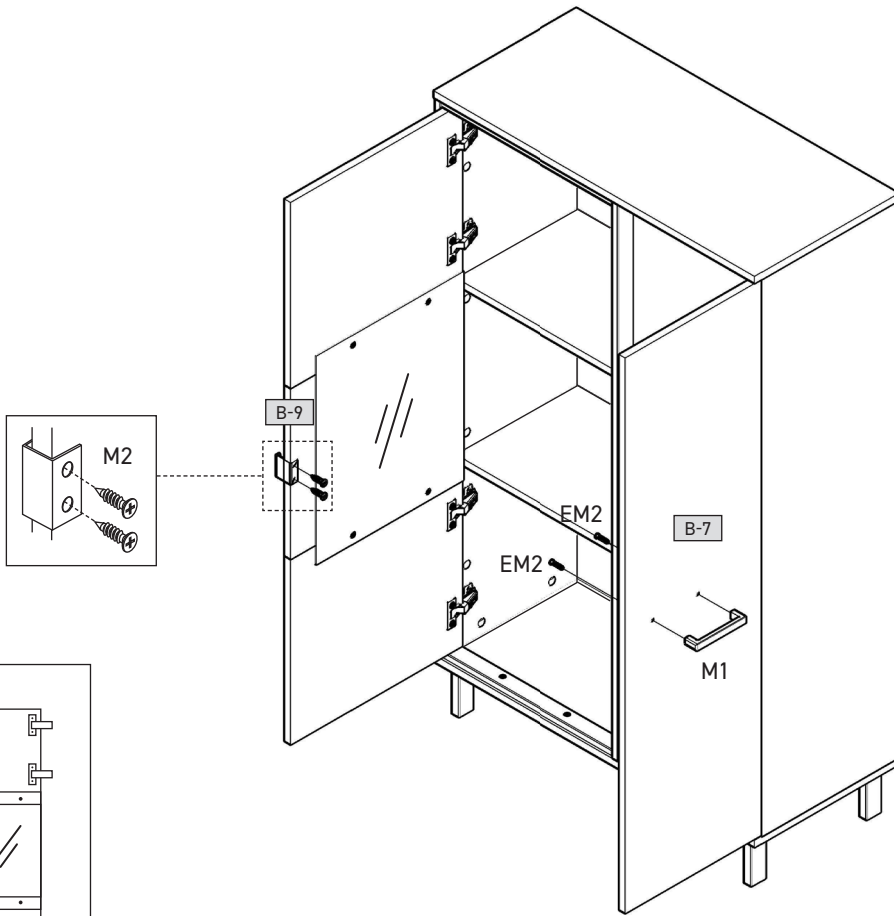
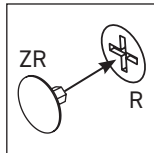
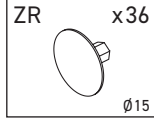
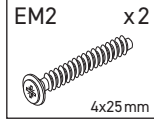
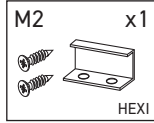
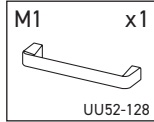
13



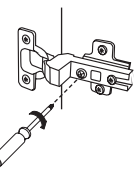
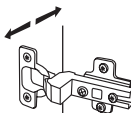
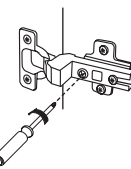
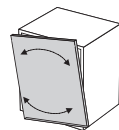
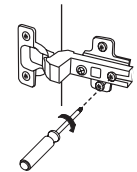
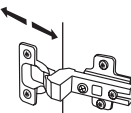
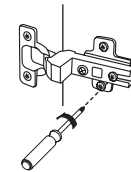
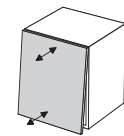
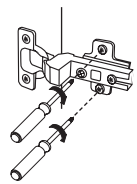
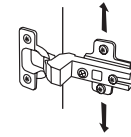
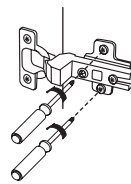
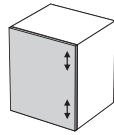
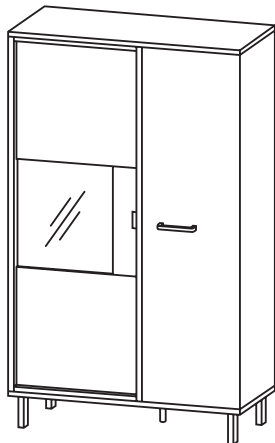
14

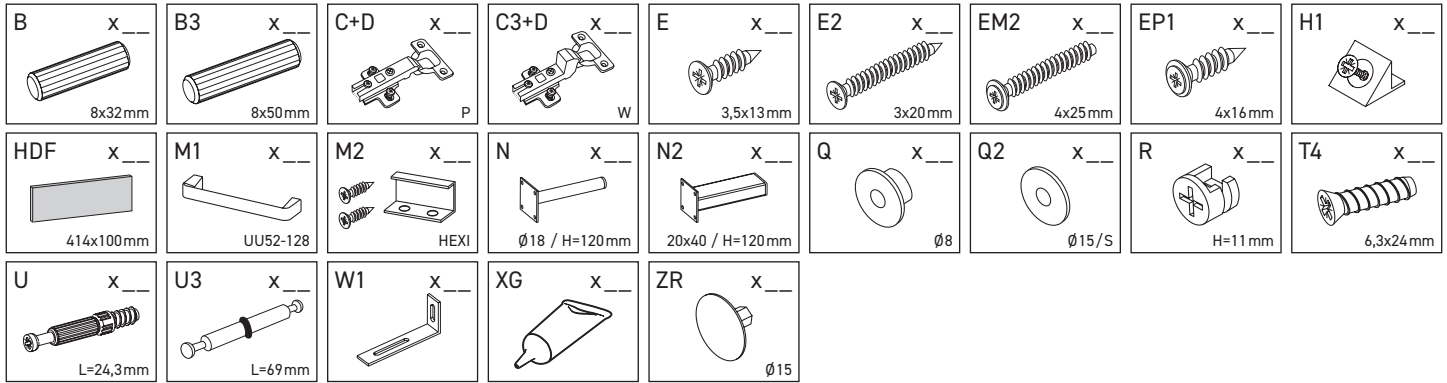


15

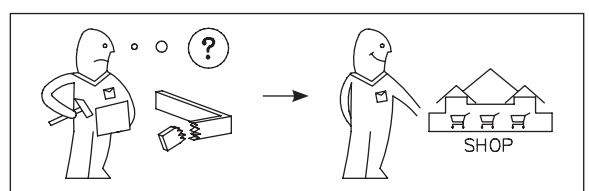
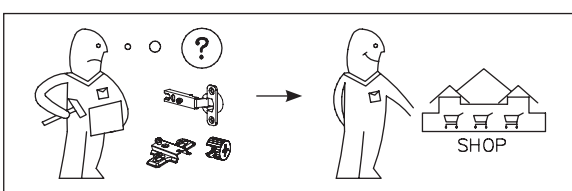
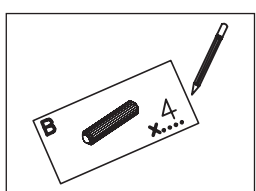
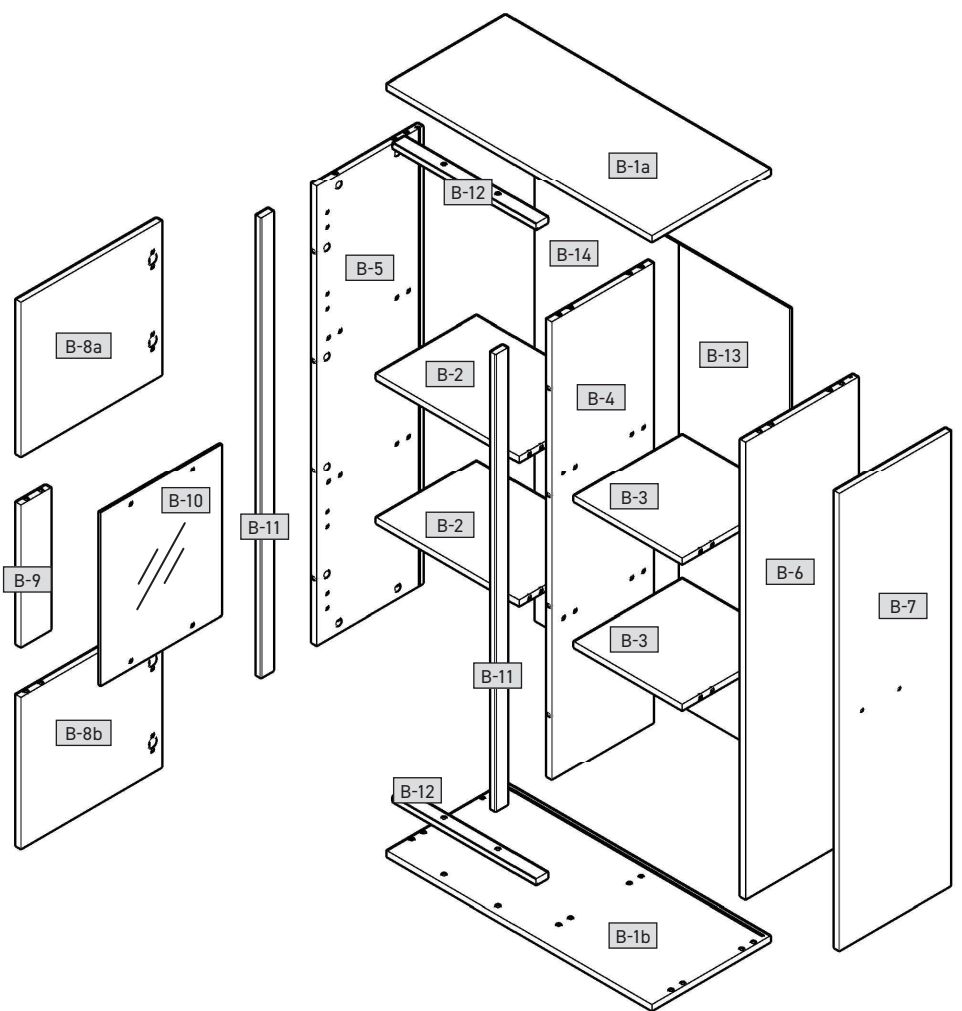


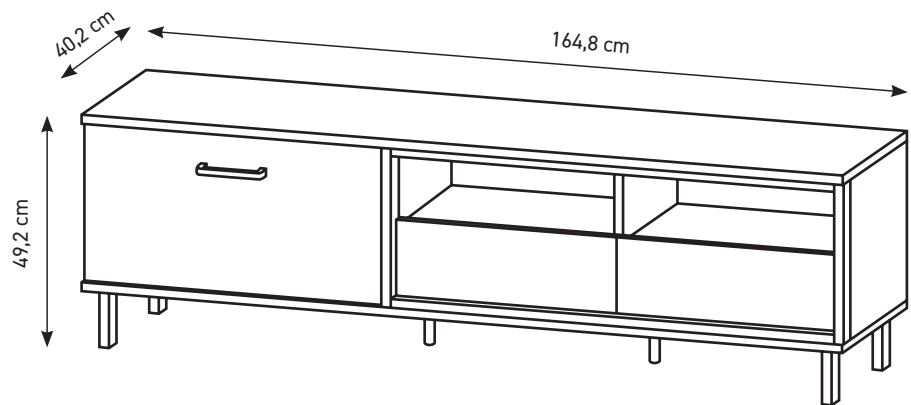
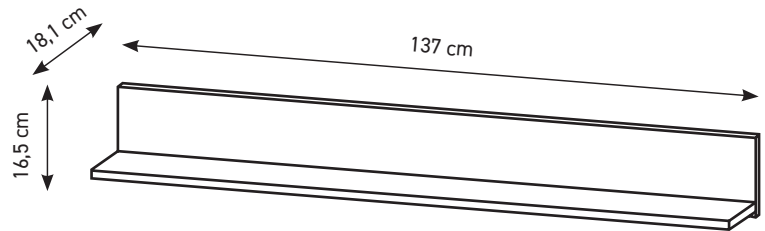
16



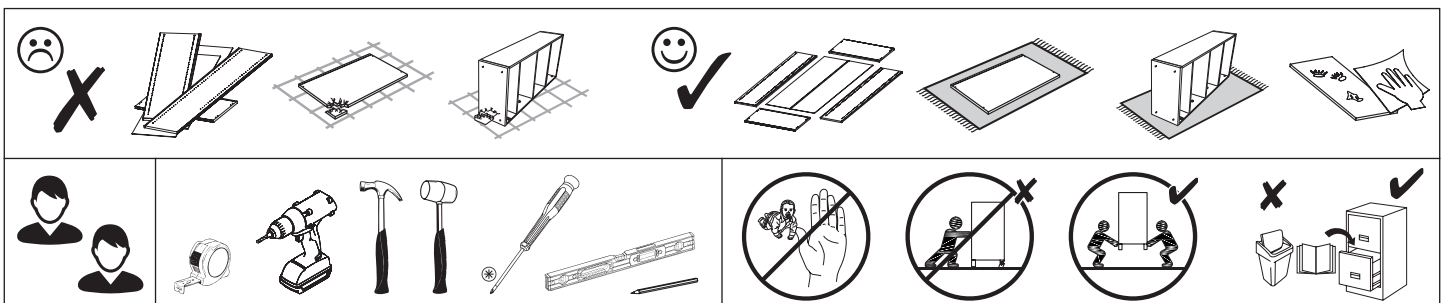


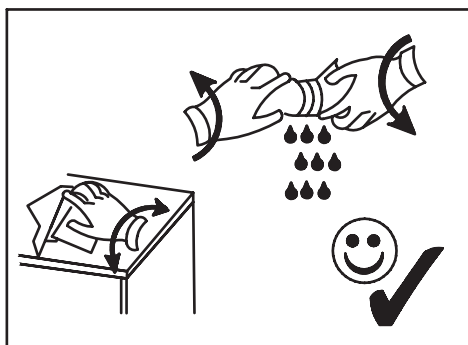
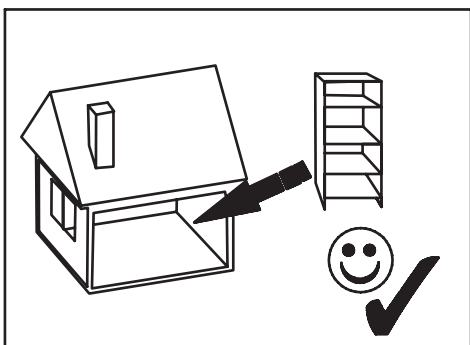
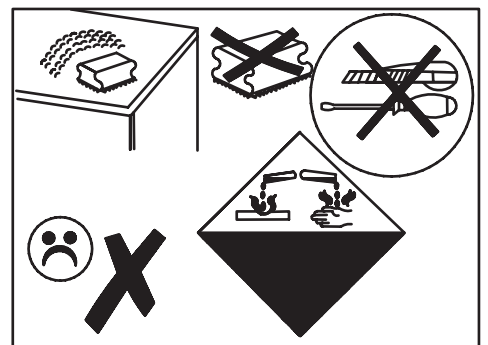
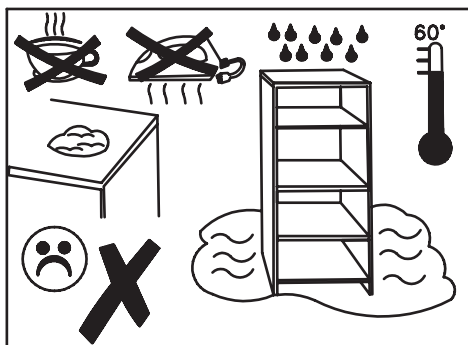
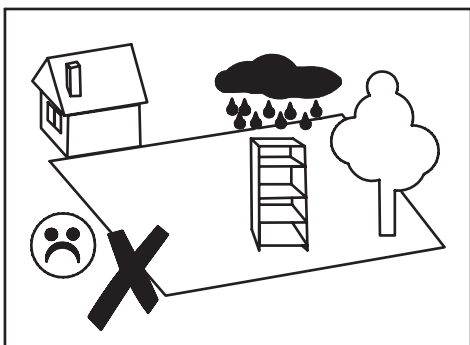
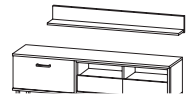
B-1a	900	402	16	x 1	1/1
B-1b	900	402	16	x 1	1/1
B-2	484	340	16	x 2	1/1
B-3	367	367	16	x 2	1/1
B-4	1352	345	16	x 1	1/1
B-5	1352	360	16	x 1	1/1
B-6	1352	382	16	x 1	1/1
B-7	378	1346	16	x 1	1/1
B-8a	478	450	16	x 1	1/1
B-8b	478	450	16	x 1	1/1
B-9	414	100	16	x 1	1/1
B-10	504	410	4	x 1	1/1
B-11	1352	40	16	x 2	1/1
B-12	484	38	16	x 2	1/1
B-13	382	1366	3	x 1	1/1
B-14	498	1366	3	x 1	1/1

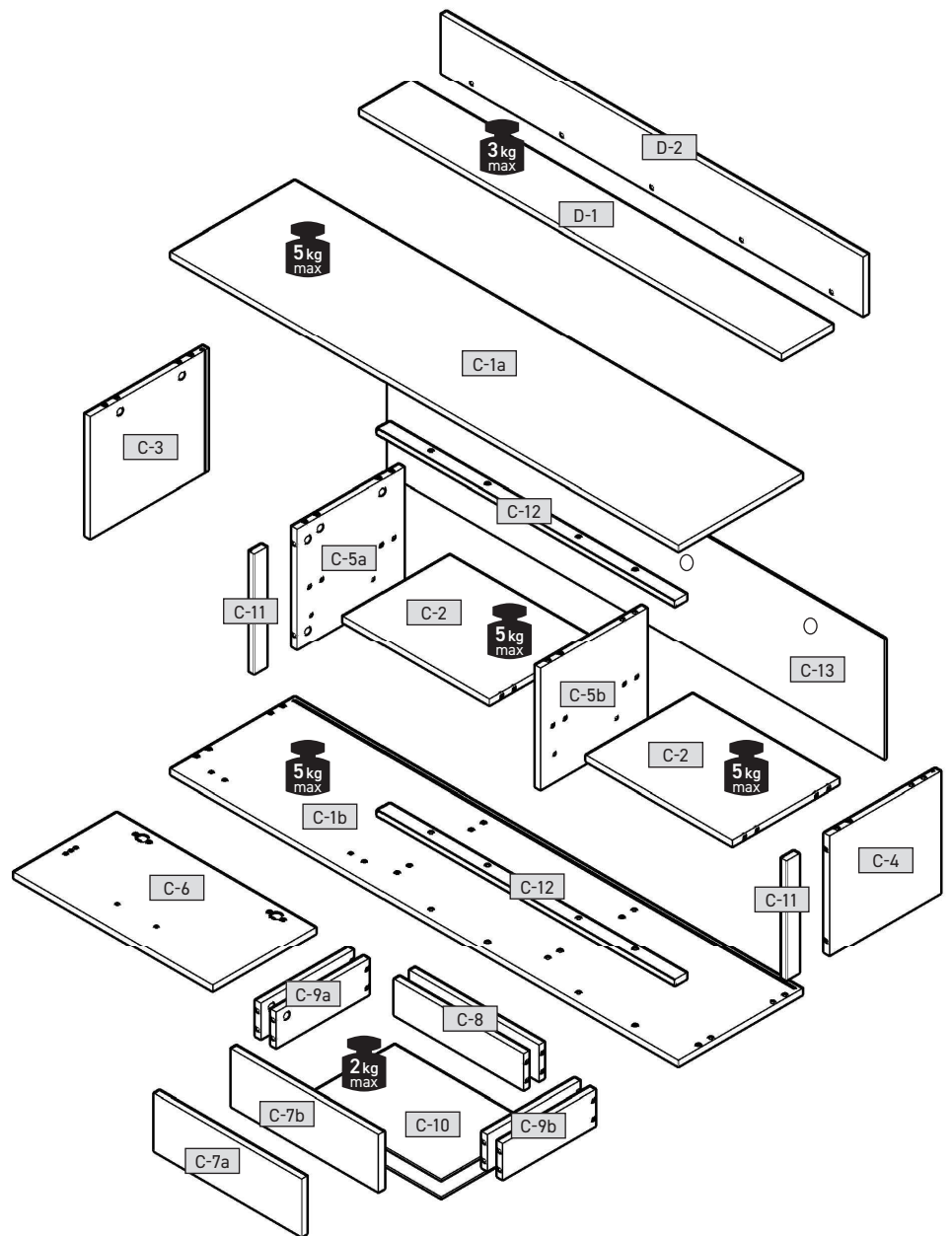
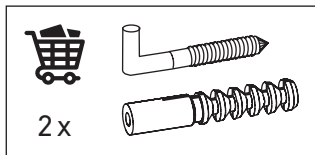
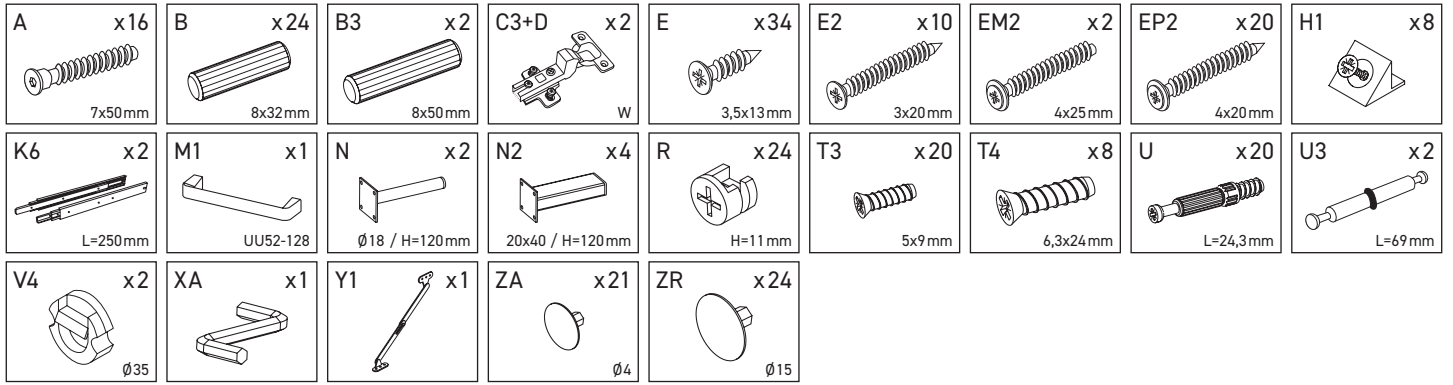
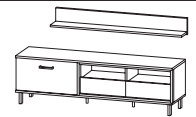




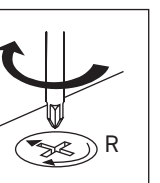
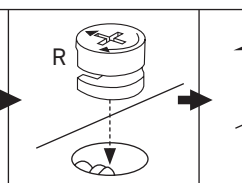
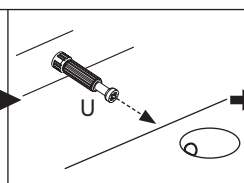
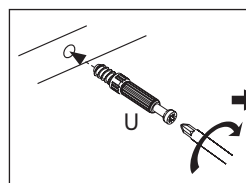
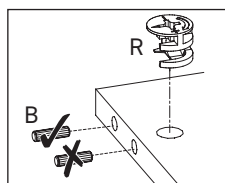
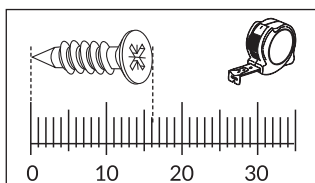
2022-03-30

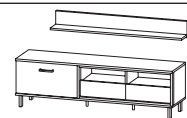




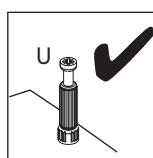
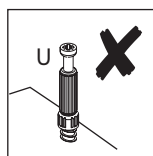
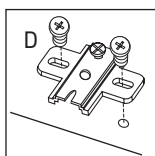
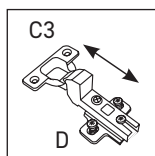
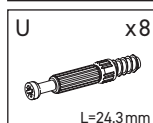
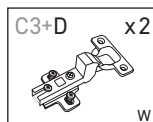
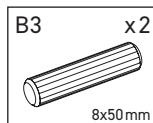
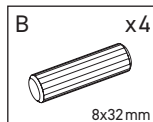
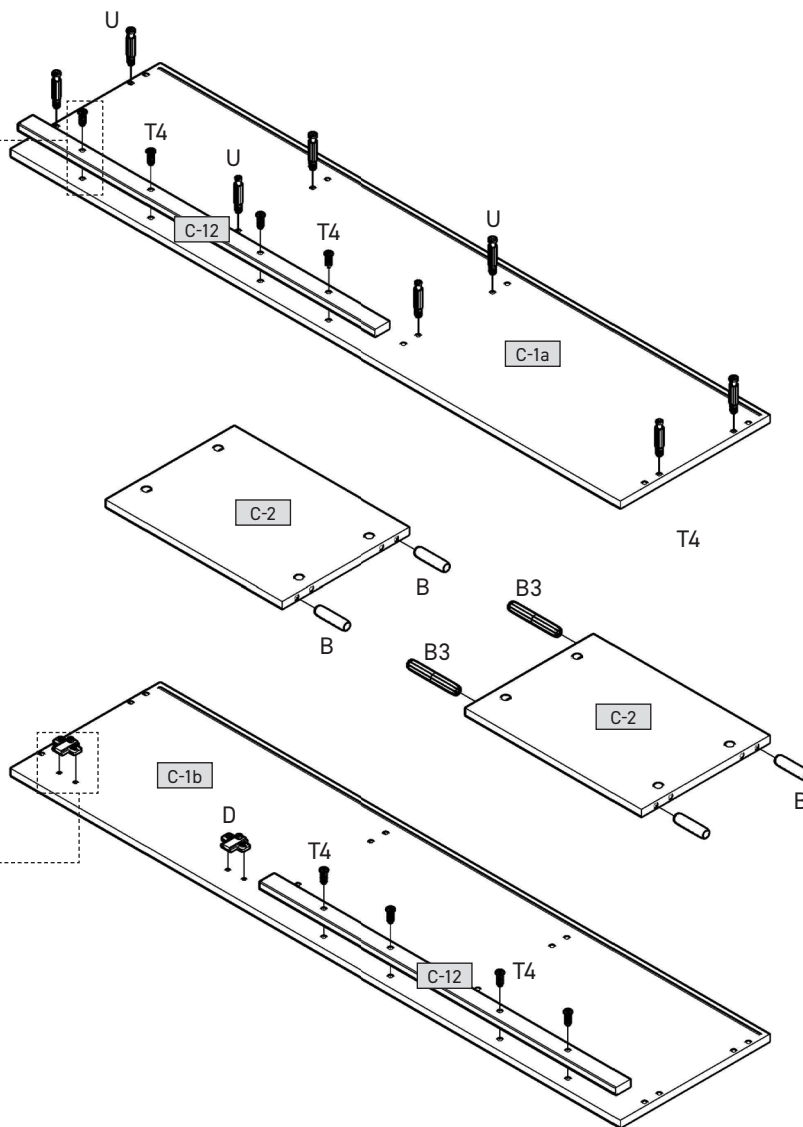
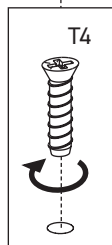


C-1a	1648	402	16	x1	1/1
C-1b	1648	402	16	x1	1/1
C-2	474	345	16	x2	1/1
C-3	340	382	16	x1	1/1
C-4	340	360	16	x1	1/1
C-5a	340	345	16	x1	1/1
C-5b	340	345	16	x1	1/1
C-6	646	334	16	x1	1/1
C-7a	478	160	16	x1	1/1
C-7b	478	160	16	x1	1/1
C-8	419	100	16	x2	1/1
C-9a	300	100	16	x2	1/1
C-9b	300	100	16	x2	1/1
C-10	447	305	3	x2	1/1
C-11	340	40	16	x2	1/1
C-12	964	38	16	x2	1/1
C-13	354	1629	3	x1	1/1
D-1	1370	165	16	x1	1/1
D-2	1370	165	16	x1	1/1

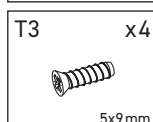
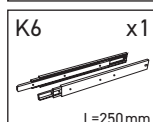
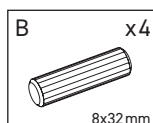
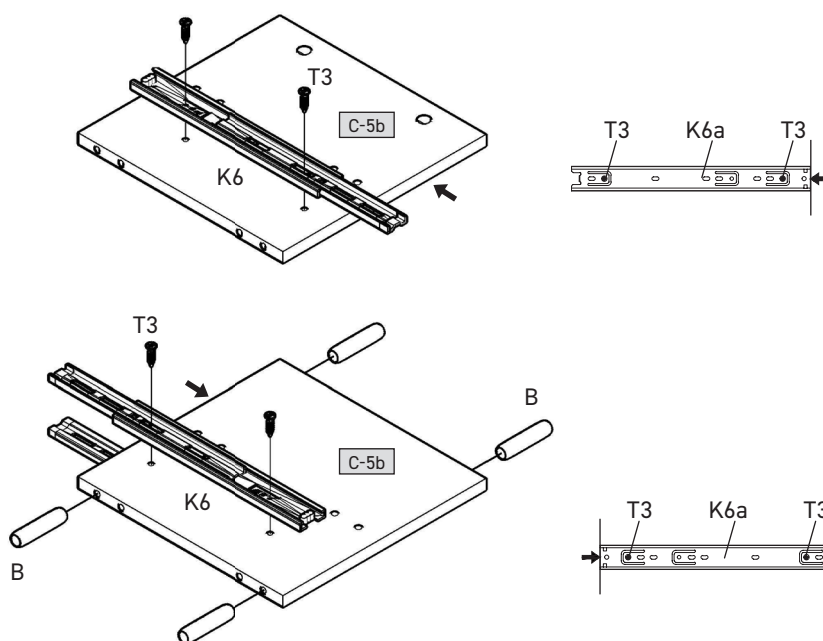
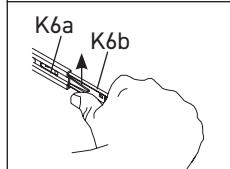
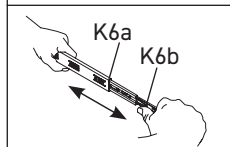
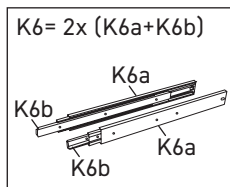


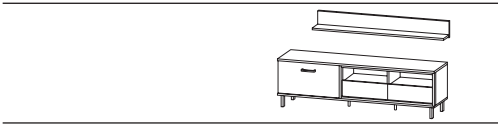


1

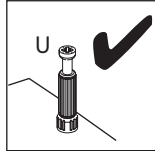
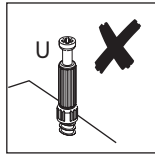
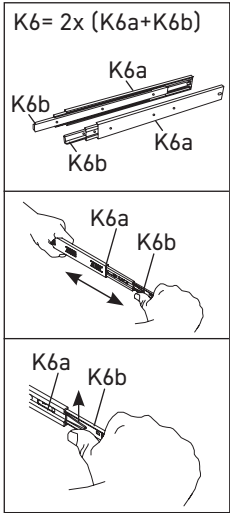
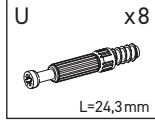
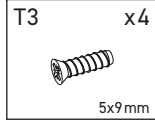
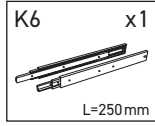
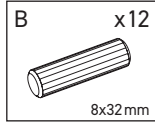
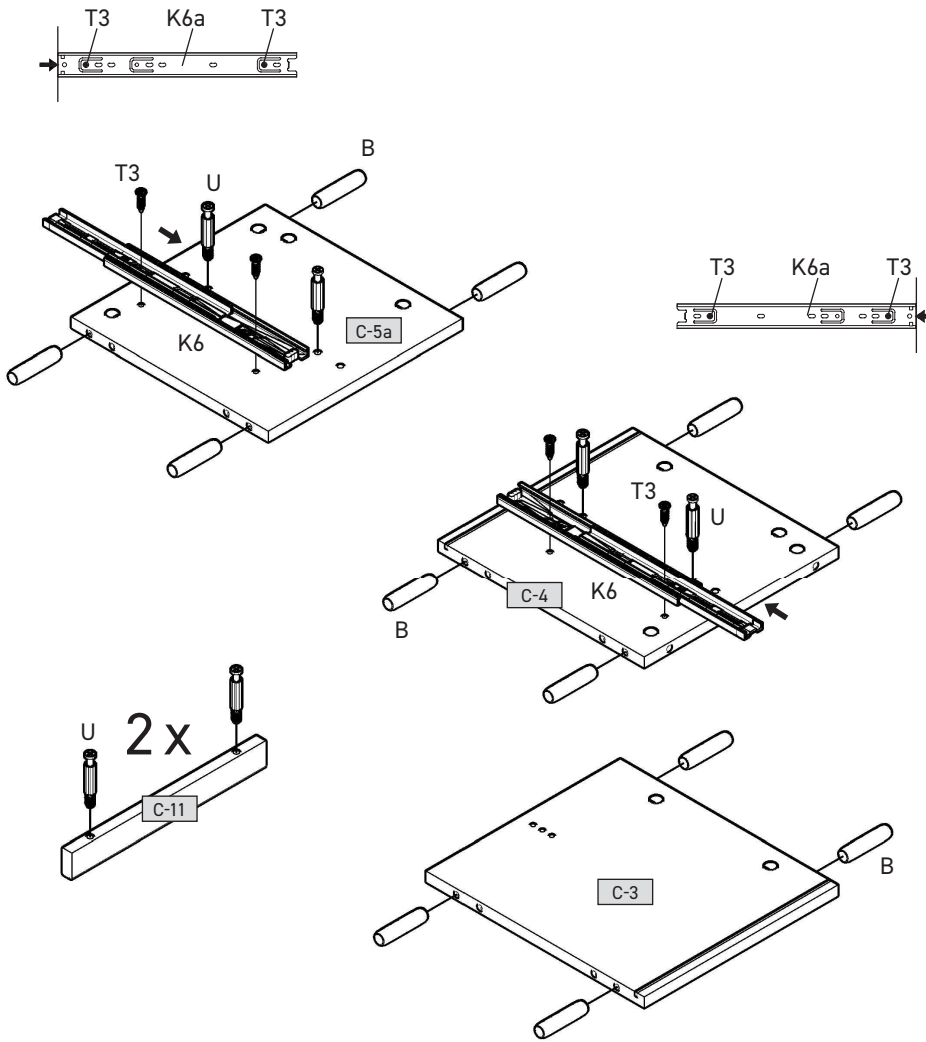


2

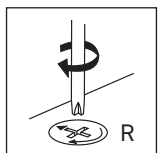
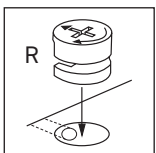
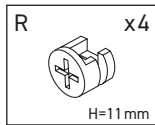
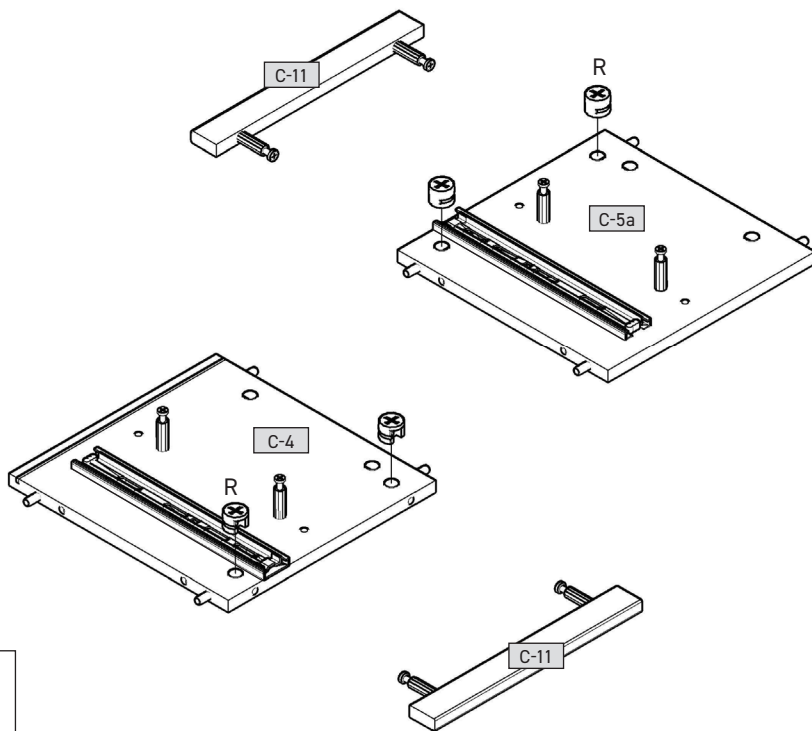


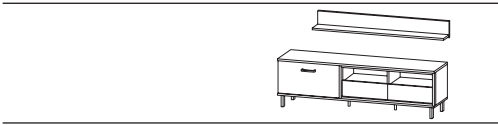


3

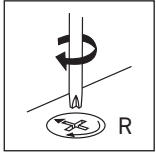
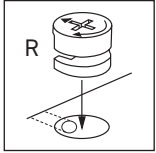
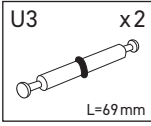
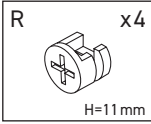
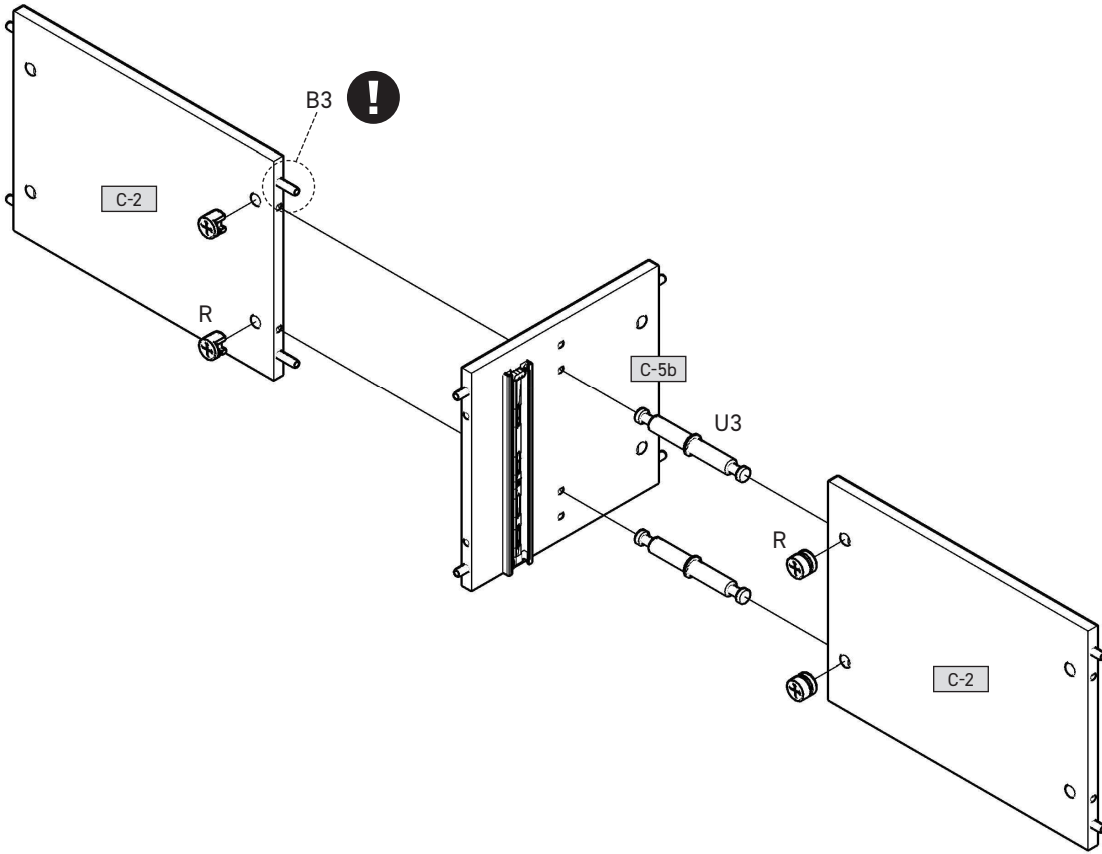


4

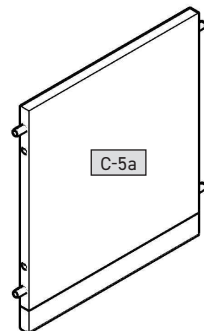
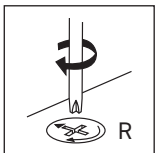
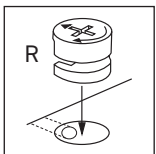
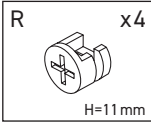
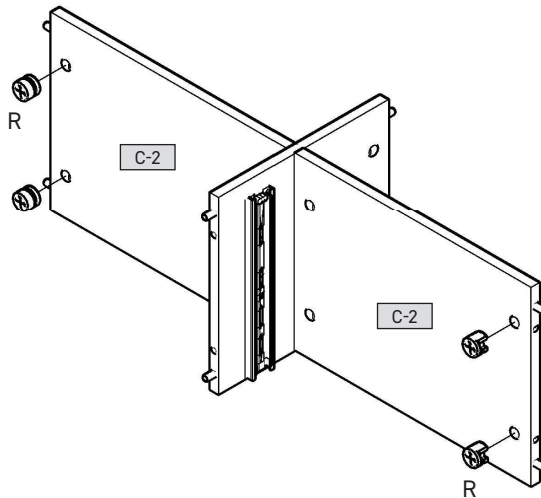
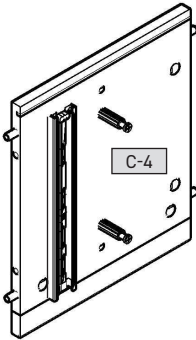


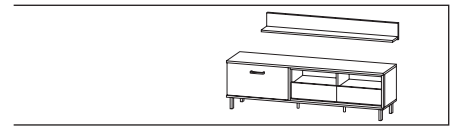


5

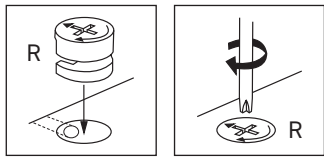
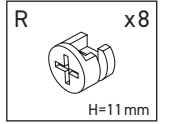
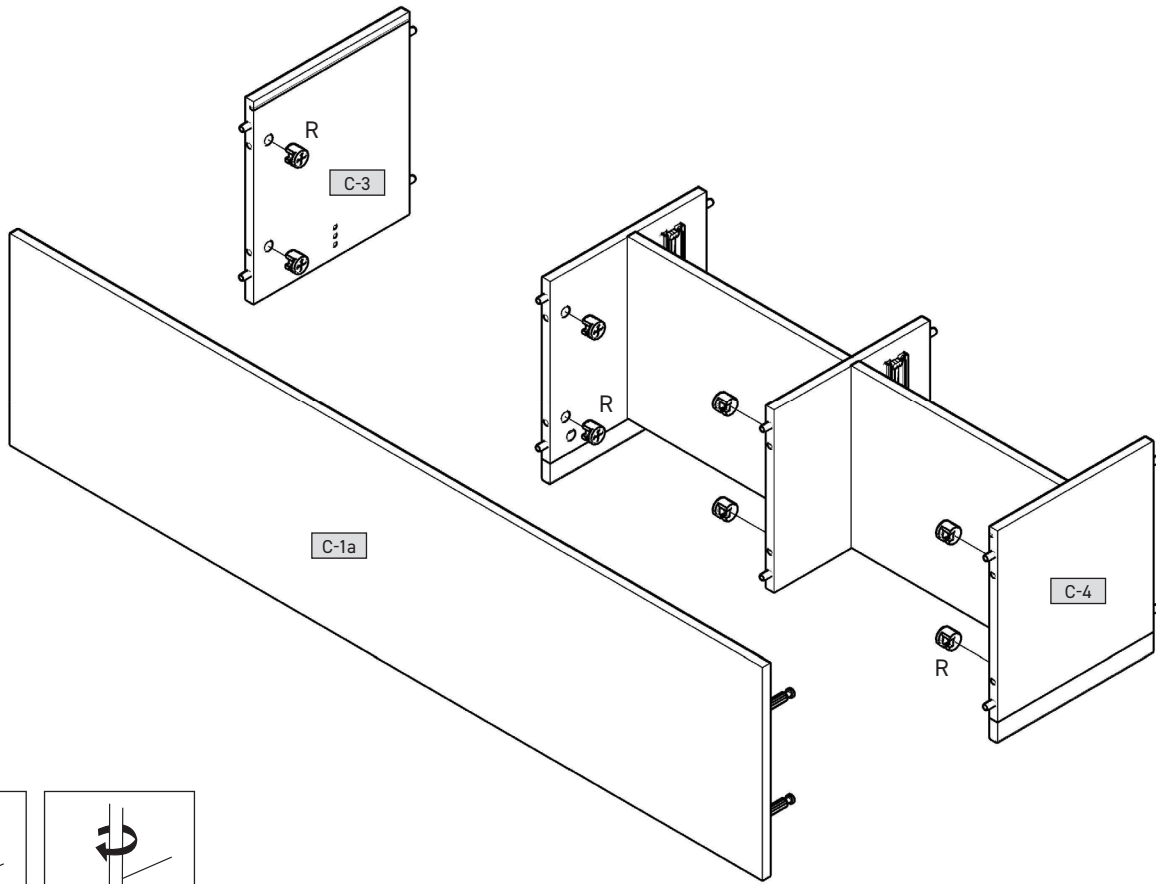


6

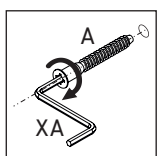
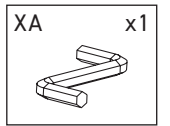
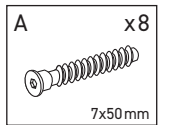
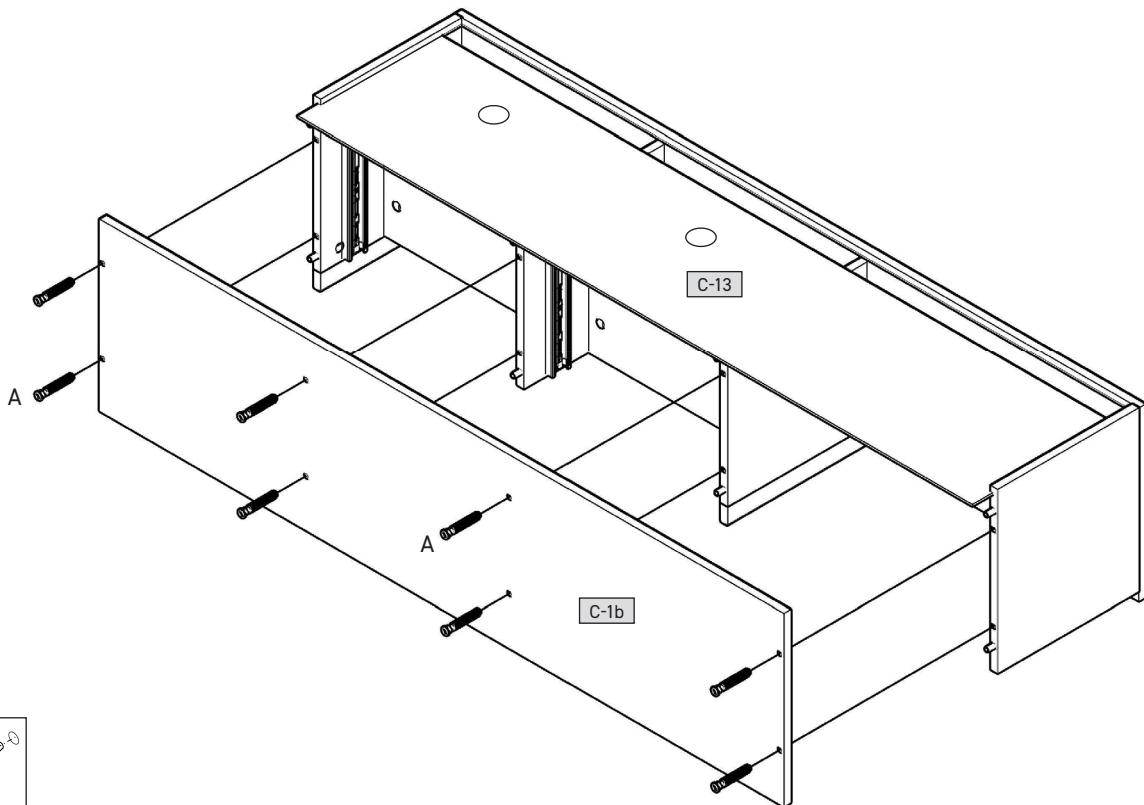




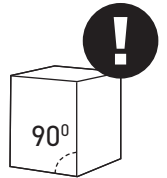
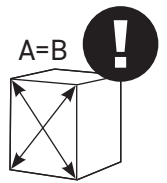
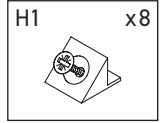
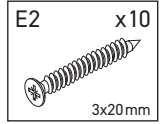
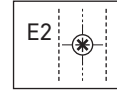
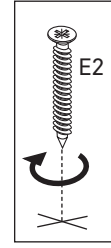
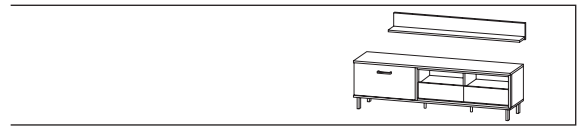
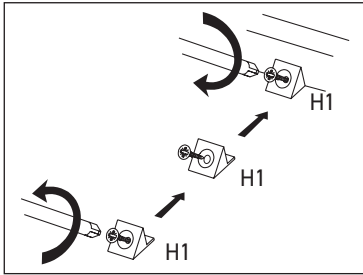
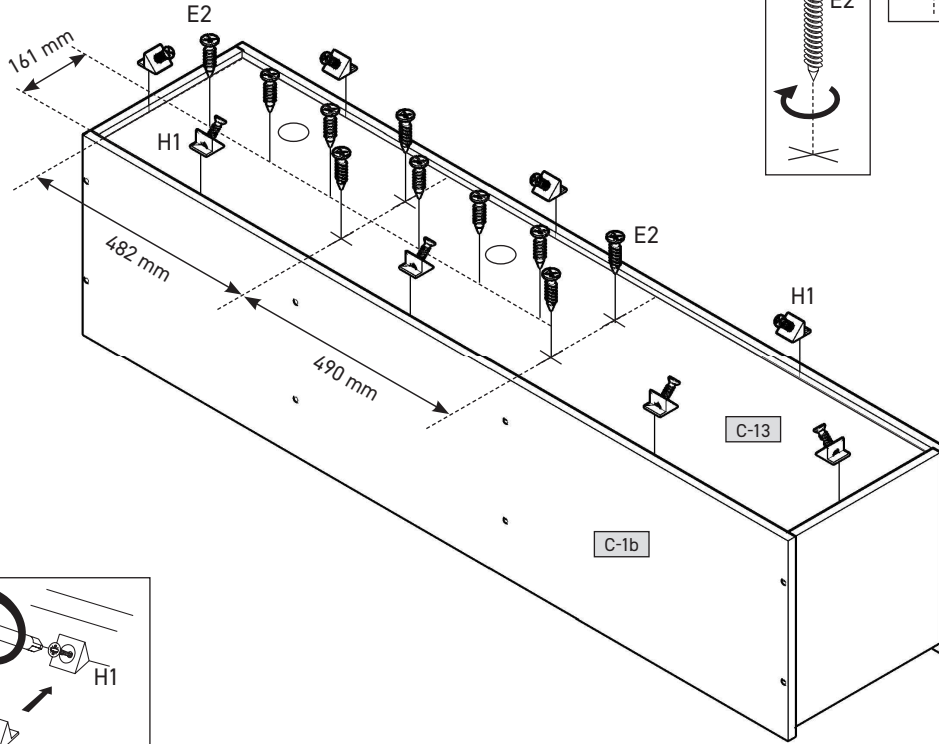
7



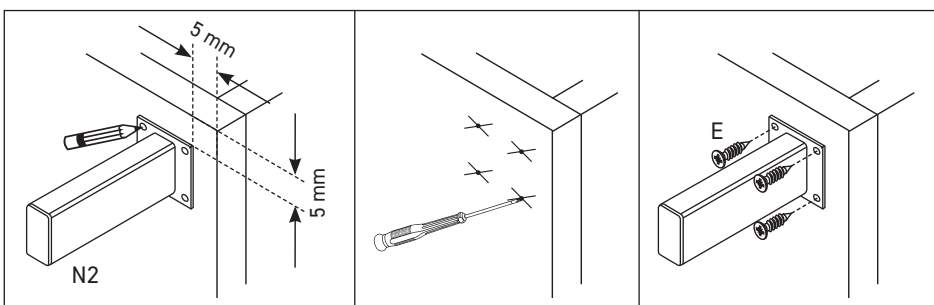
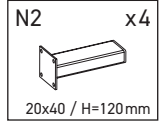
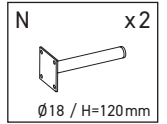
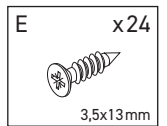
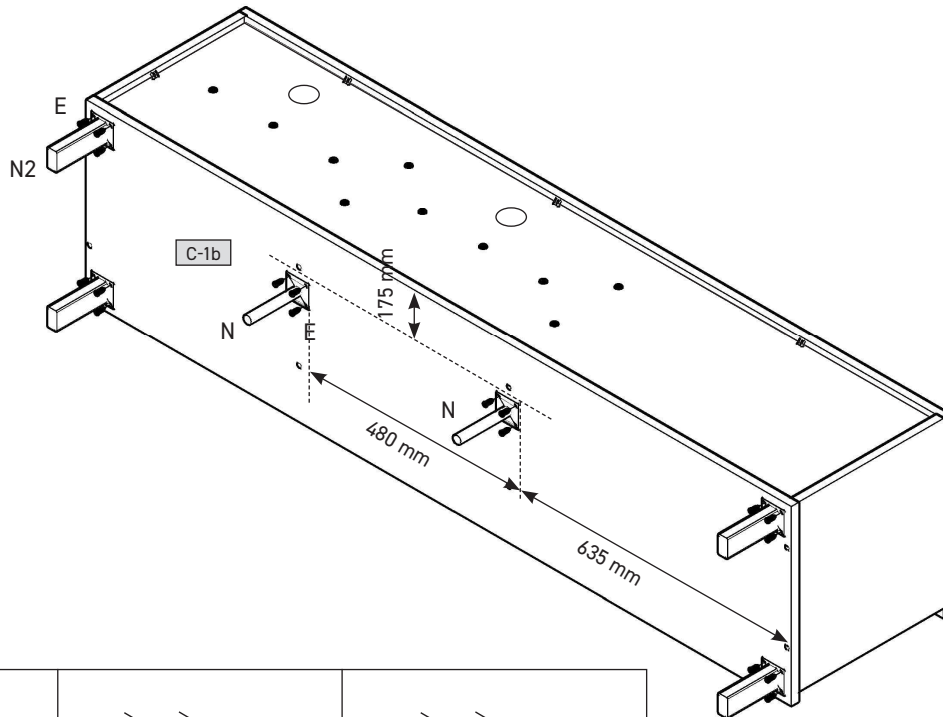
8

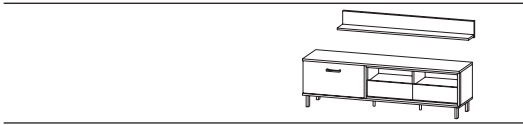


9

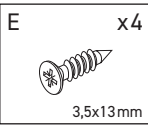
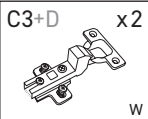
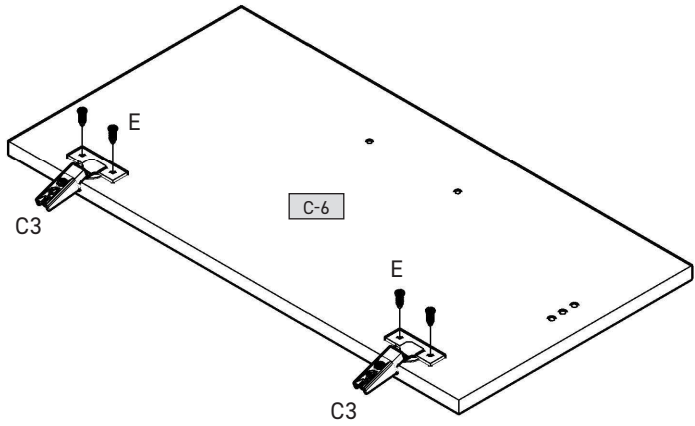
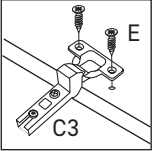


10

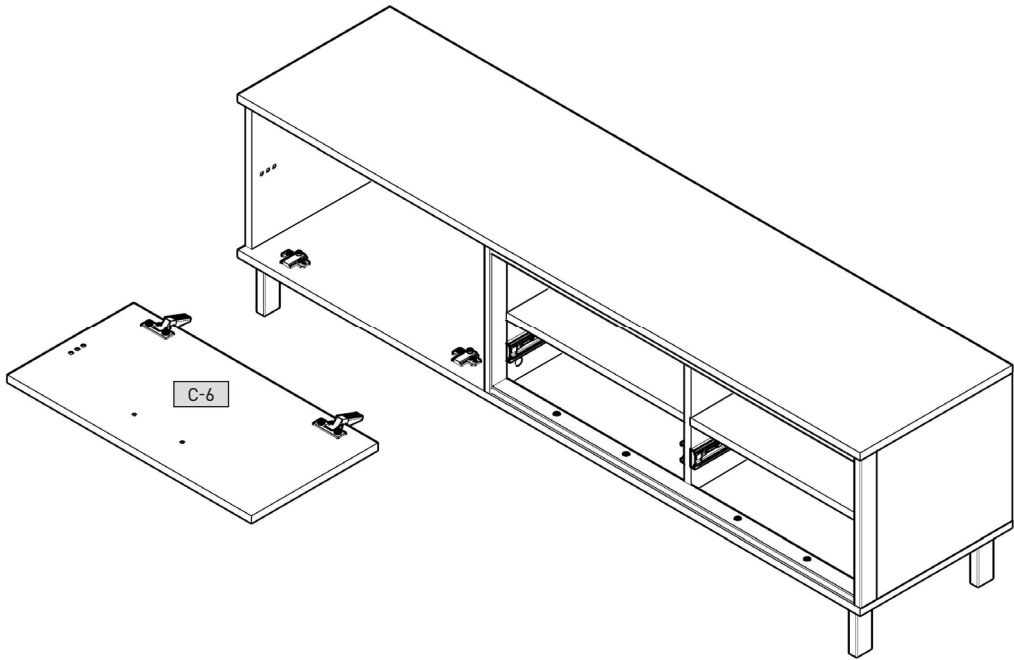
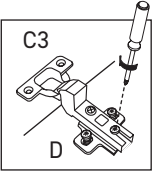
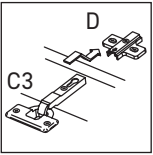




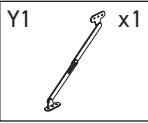
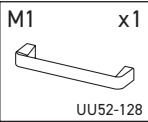
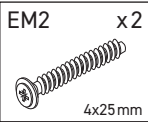
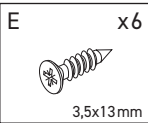
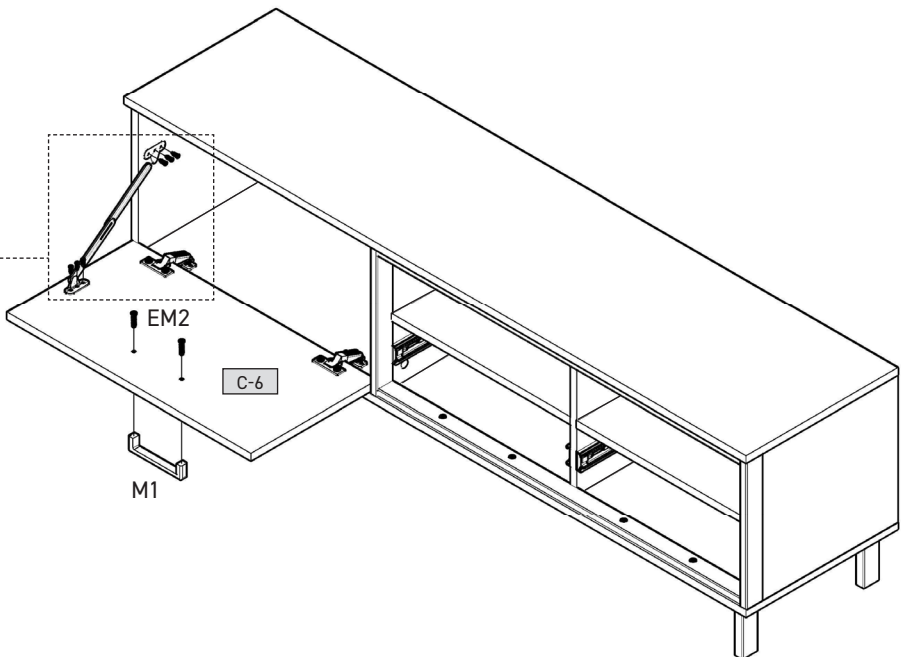
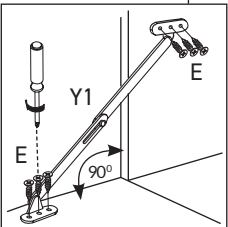
11



12

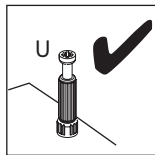
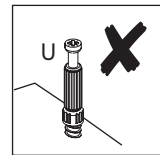
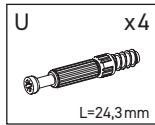
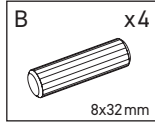
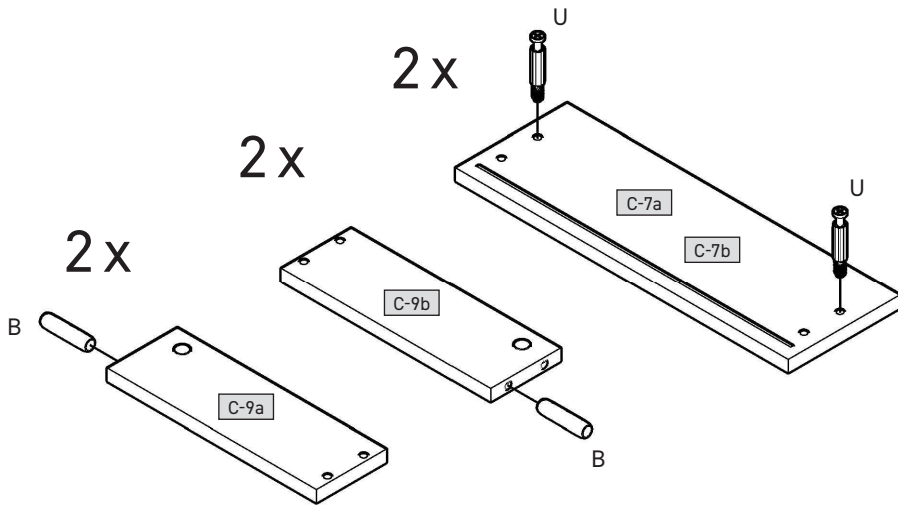


13

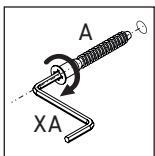
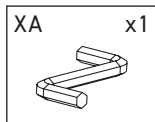
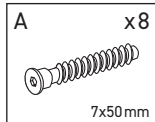
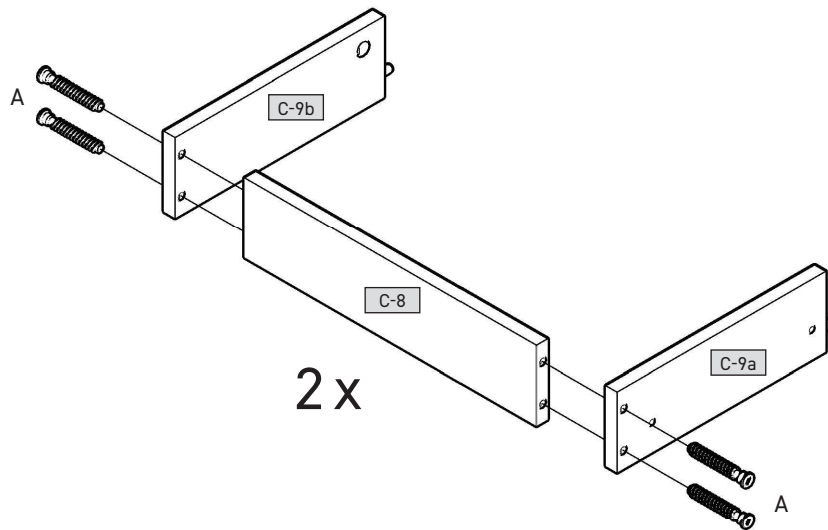




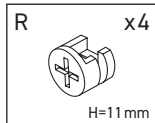
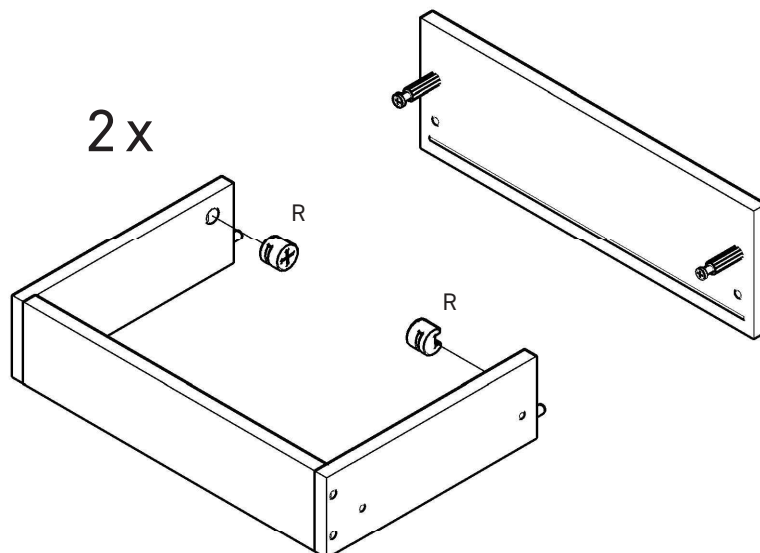
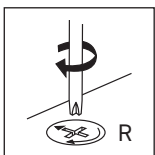
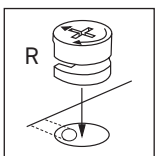
14

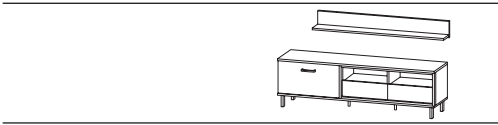


15

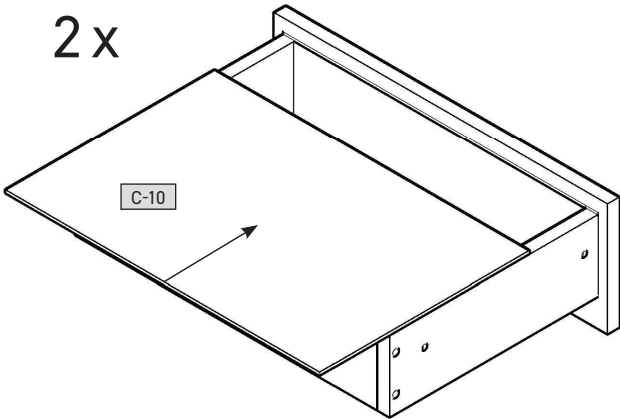


16

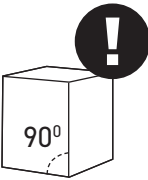
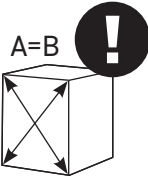
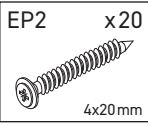
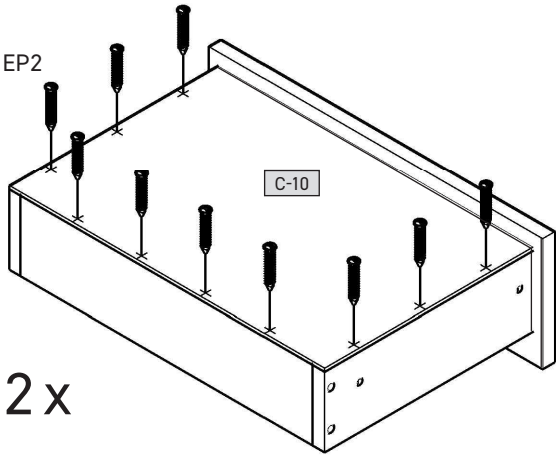




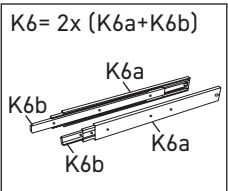
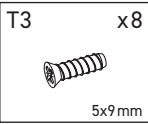
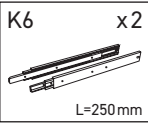
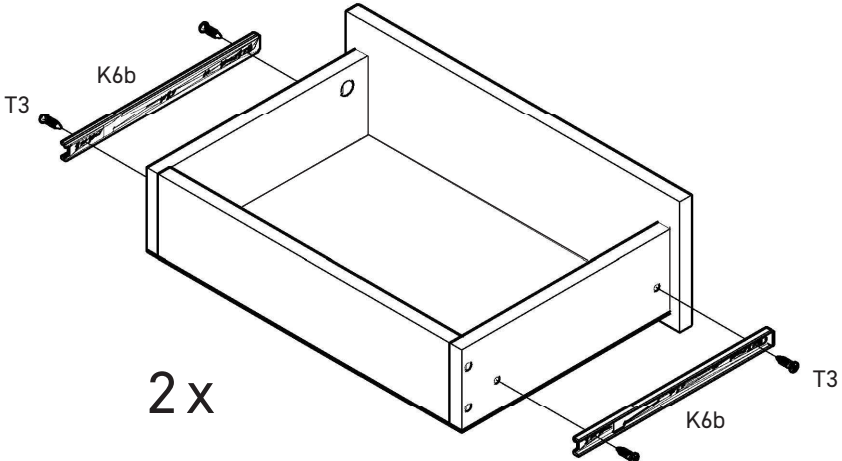
17



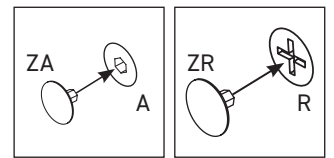
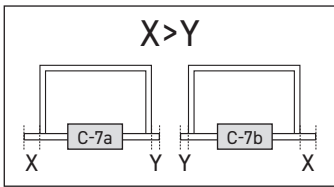
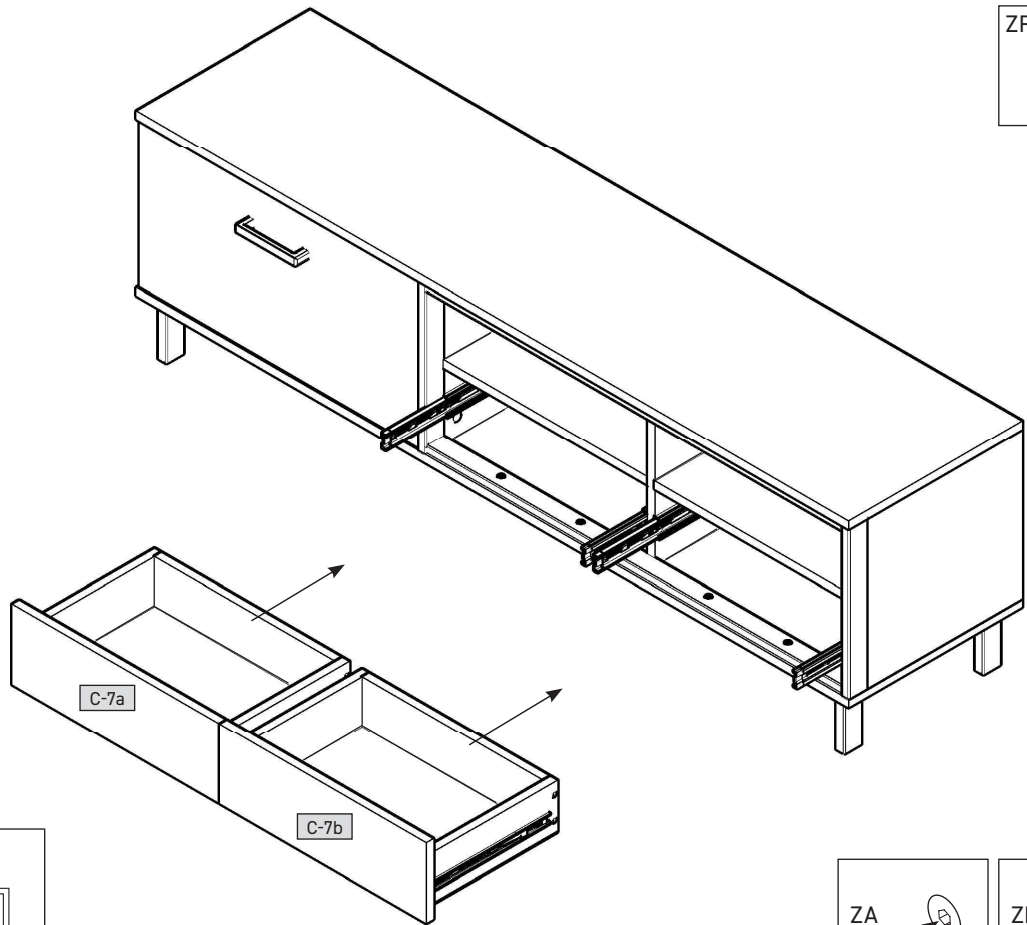
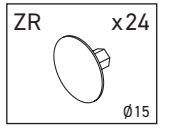
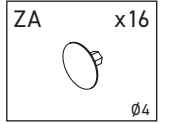
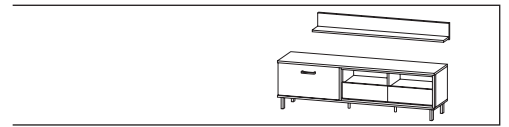
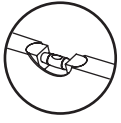
18



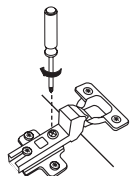
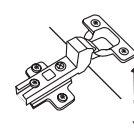
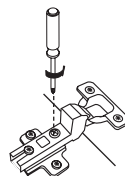
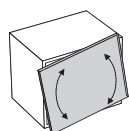
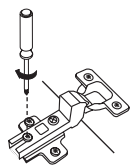
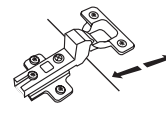
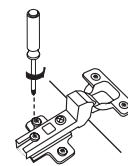
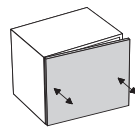
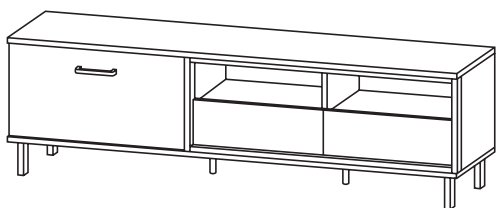
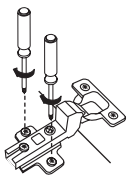
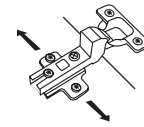
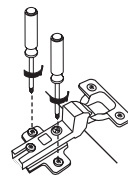
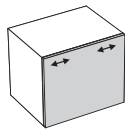
19

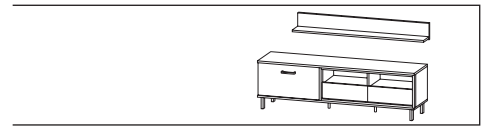


20

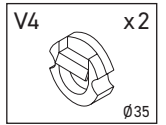
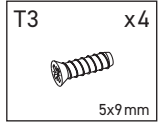
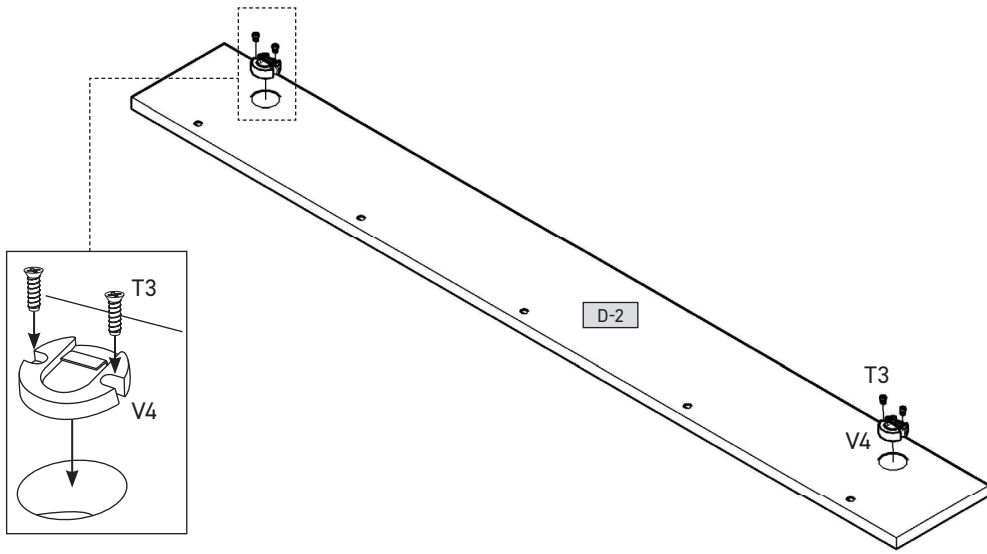
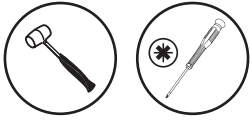


21

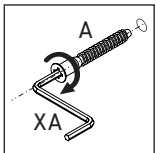
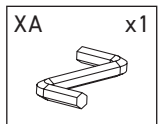
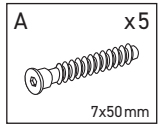
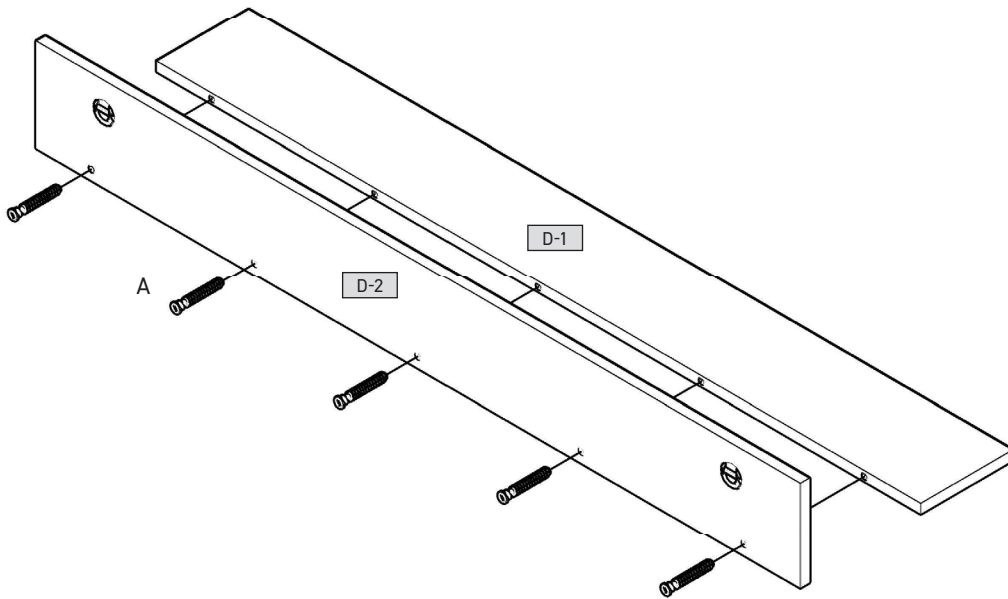




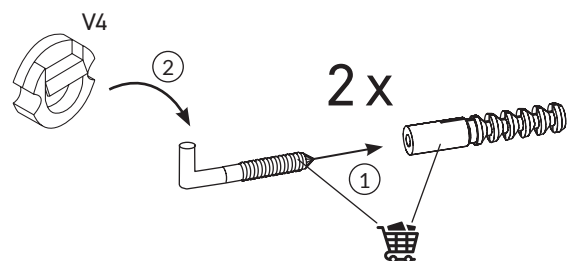
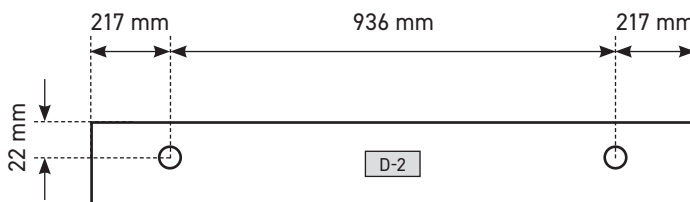
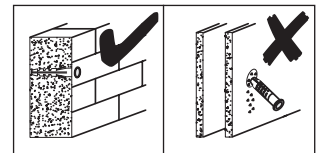
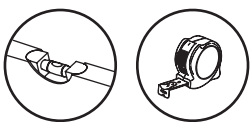
22

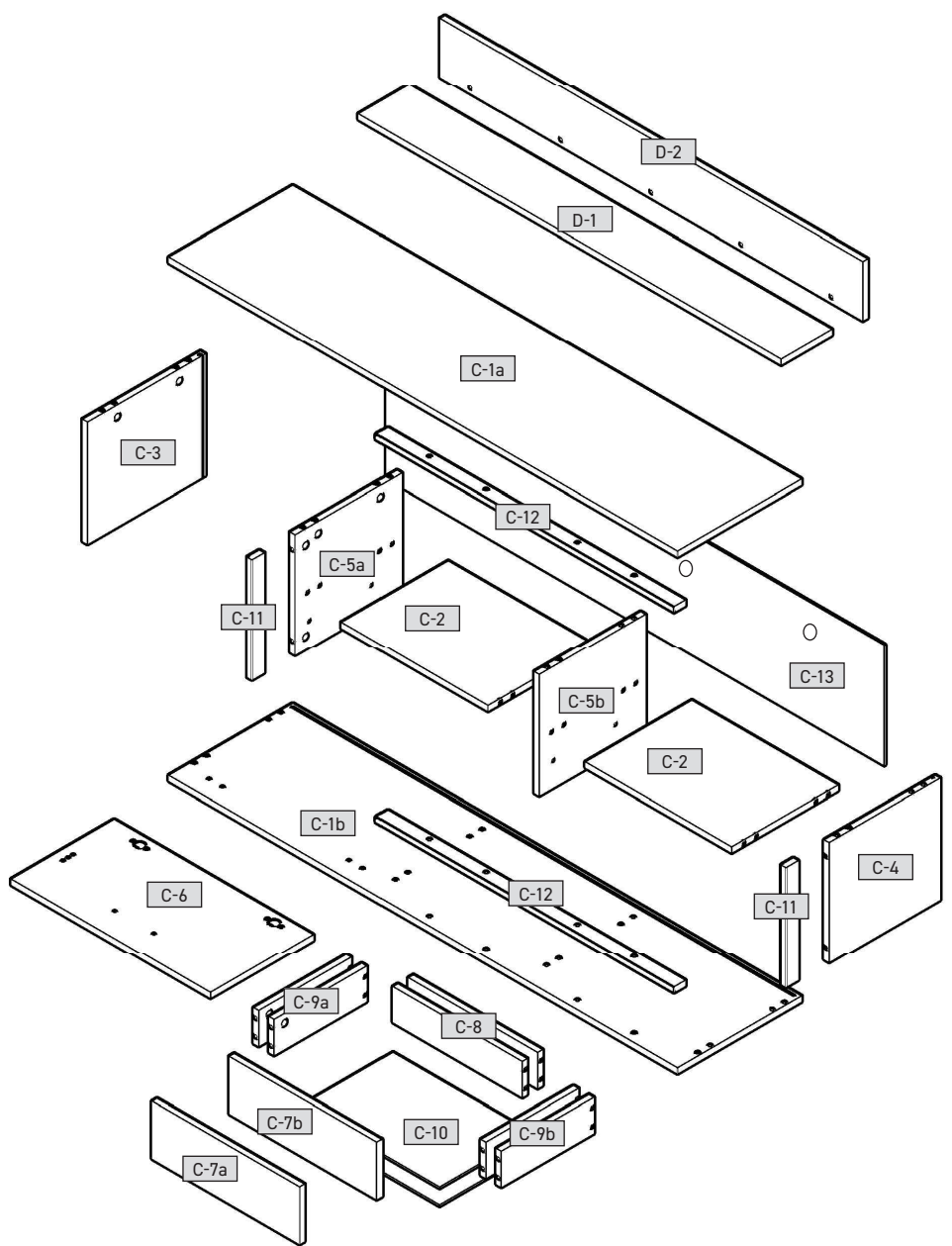
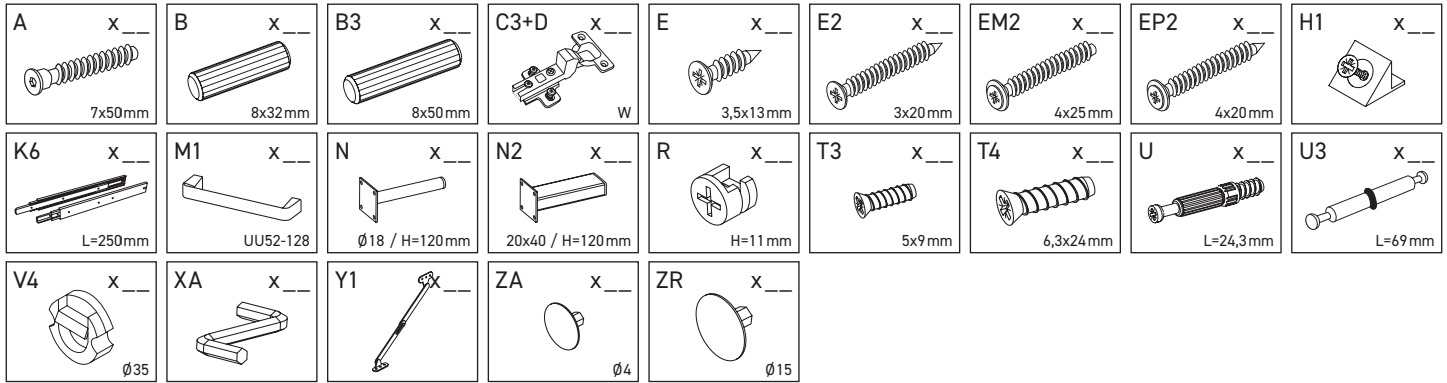


23



24





C-1a	1648	402	16	x 1	1/1
C-1b	1648	402	16	x 1	1/1
C-2	474	345	16	x 2	1/1
C-3	340	382	16	x 1	1/1
C-4	340	360	16	x 1	1/1
C-5a	340	345	16	x 1	1/1
C-5b	340	345	16	x 1	1/1
C-6	646	334	16	x 1	1/1
C-7a	478	160	16	x 1	1/1
C-7b	478	160	16	x 1	1/1
C-8	419	100	16	x 2	1/1
C-9a	300	100	16	x 2	1/1
C-9b	300	100	16	x 2	1/1
C-10	447	305	3	x 2	1/1
C-11	340	40	16	x 2	1/1
C-12	964	38	16	x 2	1/1
C-13	354	1629	3	x 1	1/1
D-1	1370	165	16	x 1	1/1
D-2	1370	165	16	x 1	1/1

