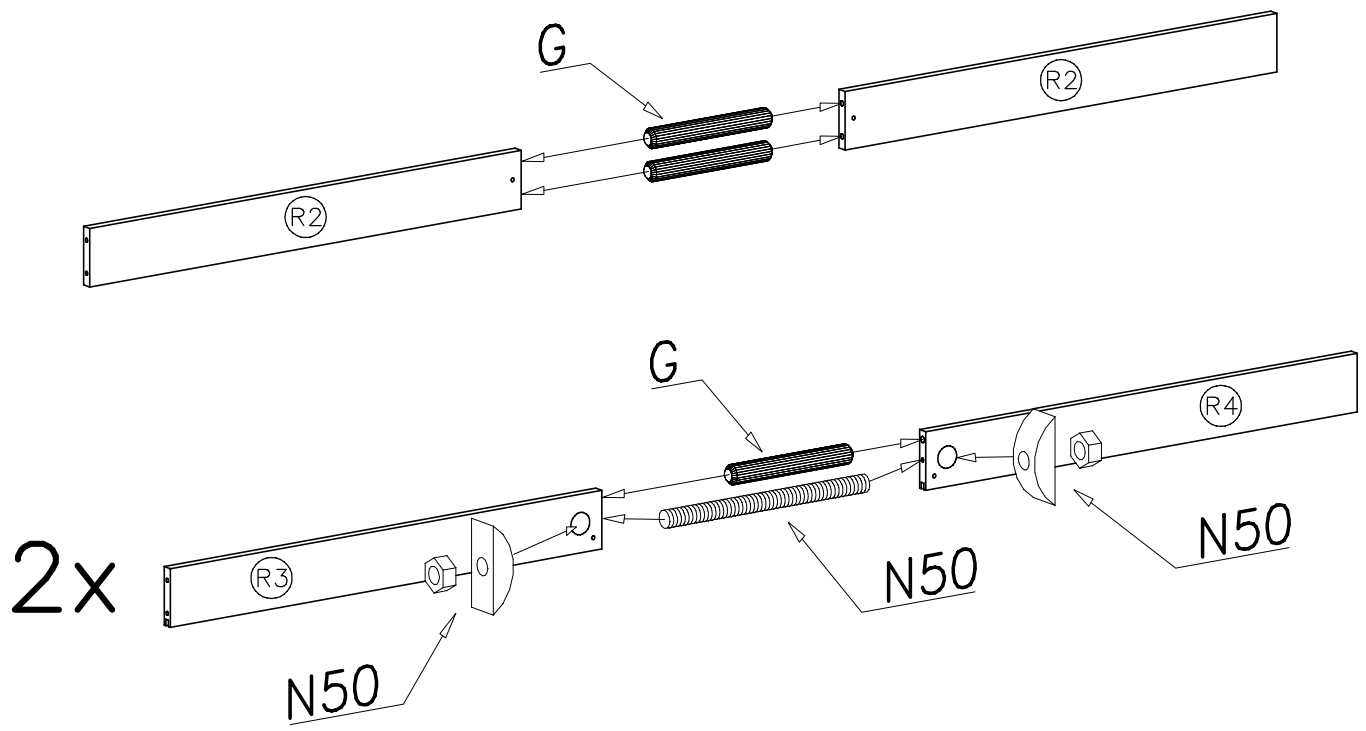
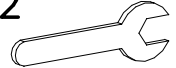




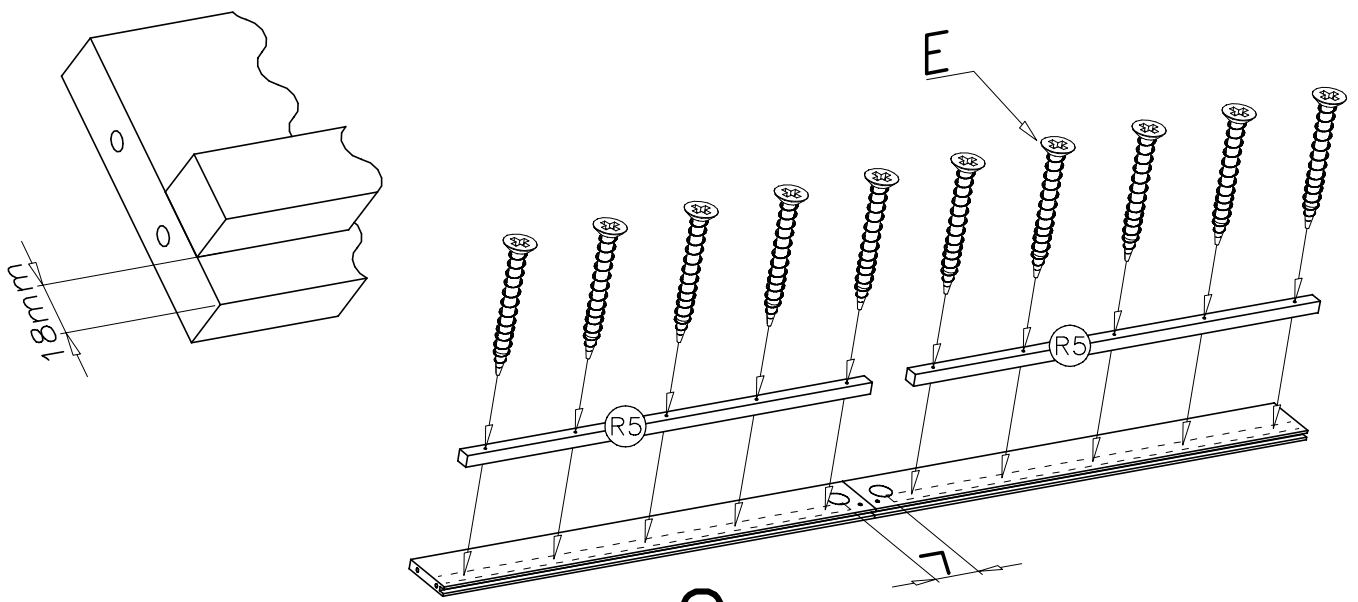
N50	x2	G2	x2		
W	4x16 x4	U	x2	G	$\varnothing 6 \times 50$ x4
I	$\varnothing 8 \times 35$ x4	M	4x25 x4	K	$\varnothing 8$ x4
		C	6x50 x18	H	x1
		E	4x35 x20	B	6x70 x8

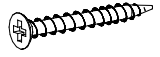
I



G2  x2	G  ø6x50 x4	N50  x2
---	--	--

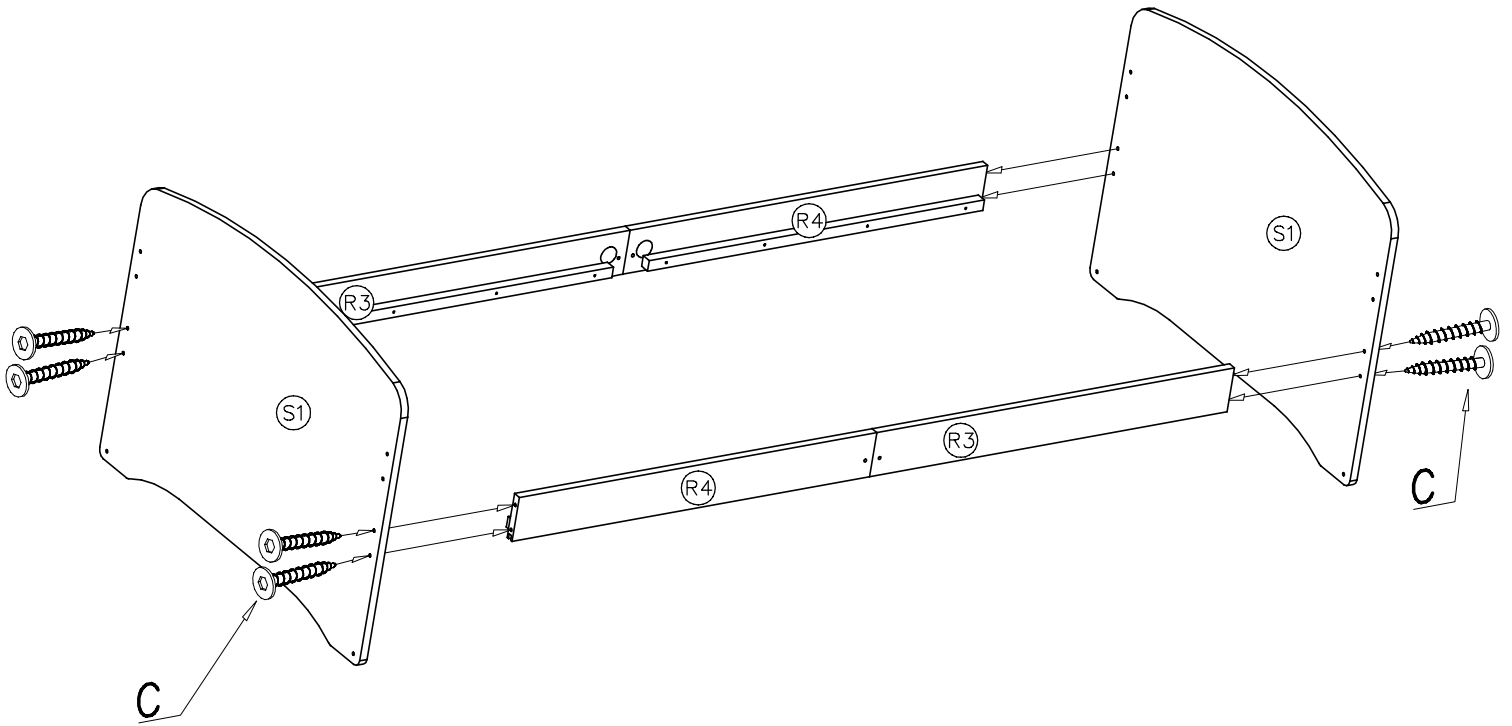
II



E  4x35 x20

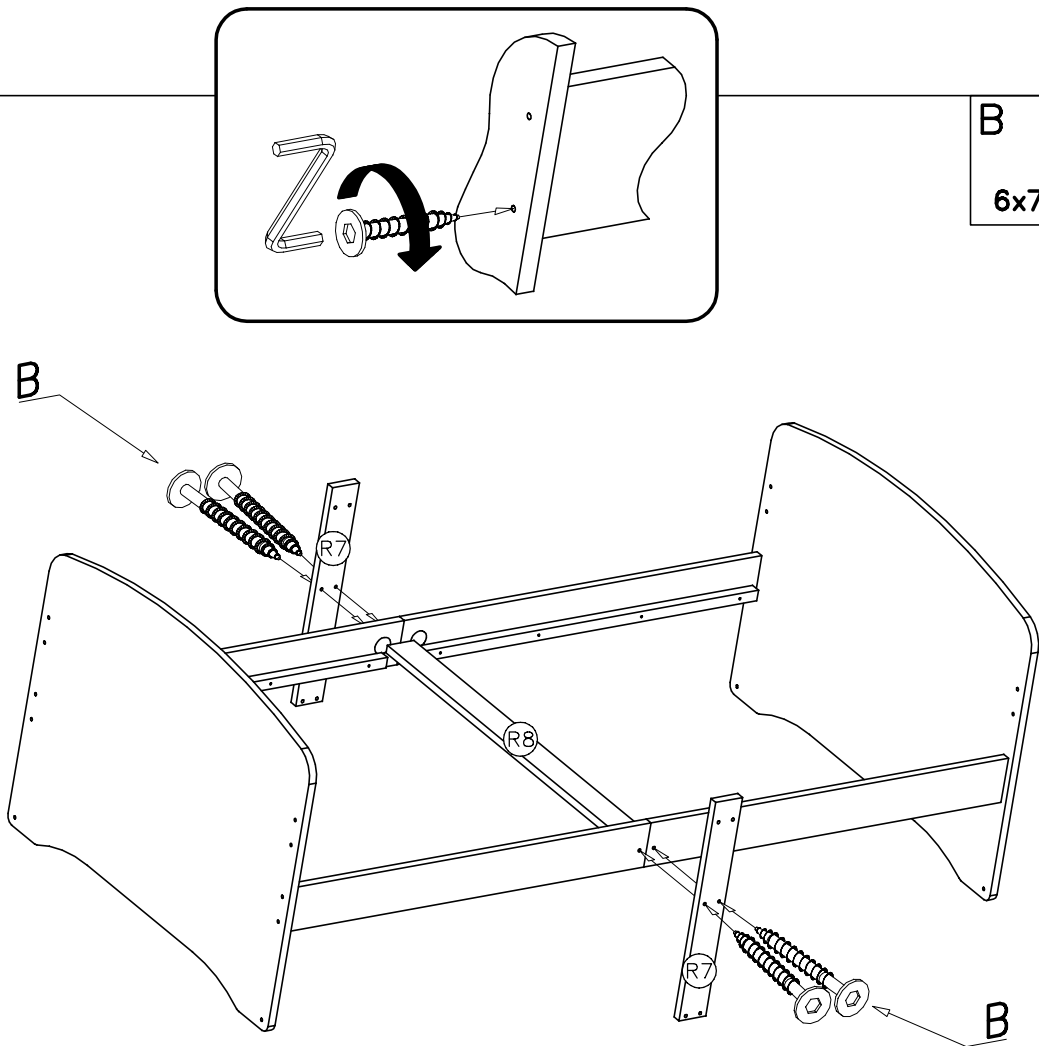
III

C
6x50 x8

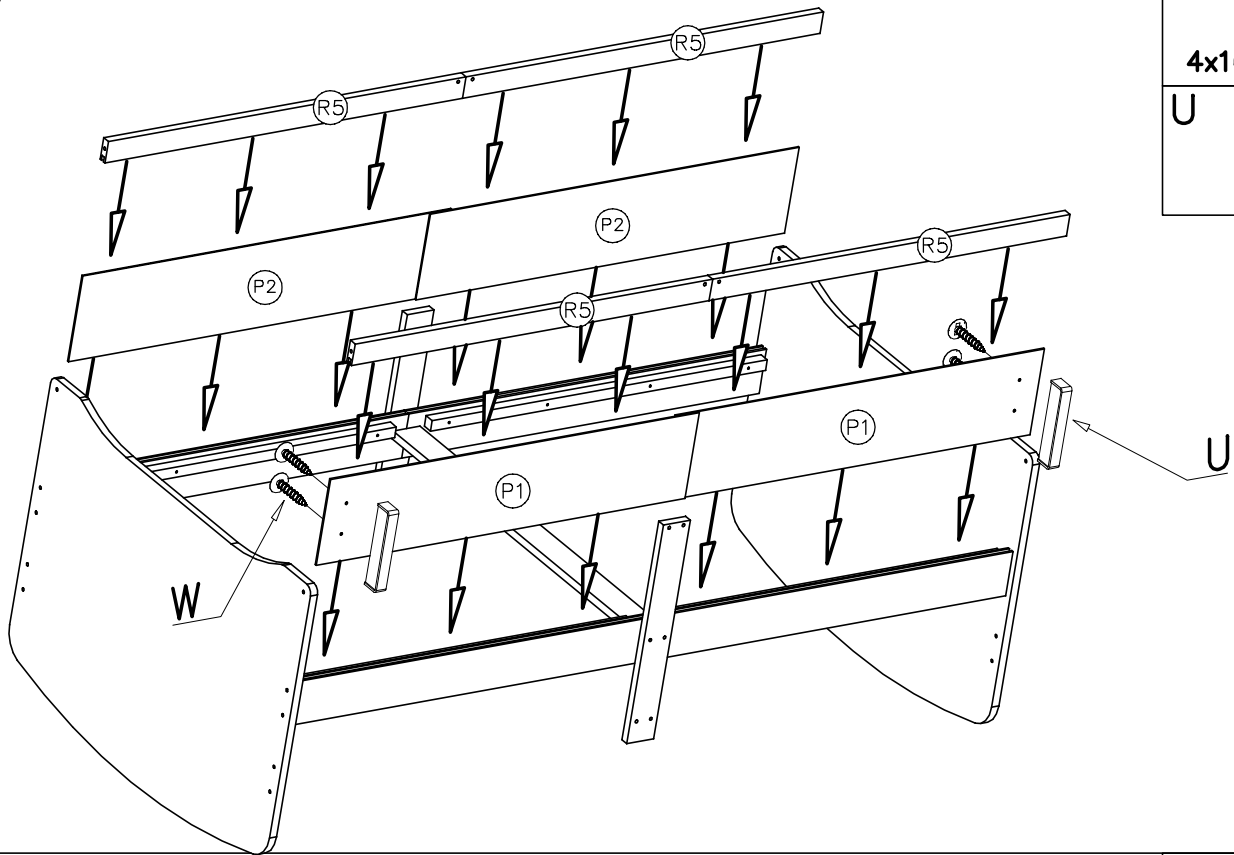




IV

B
6x70 x4

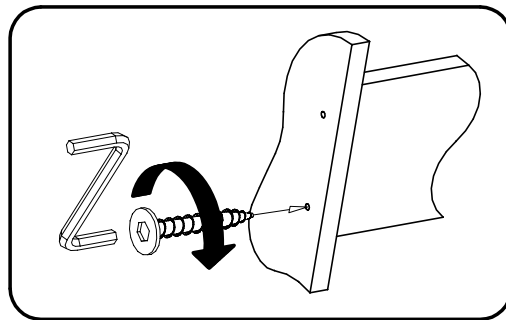


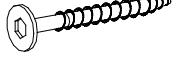
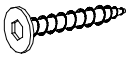
V

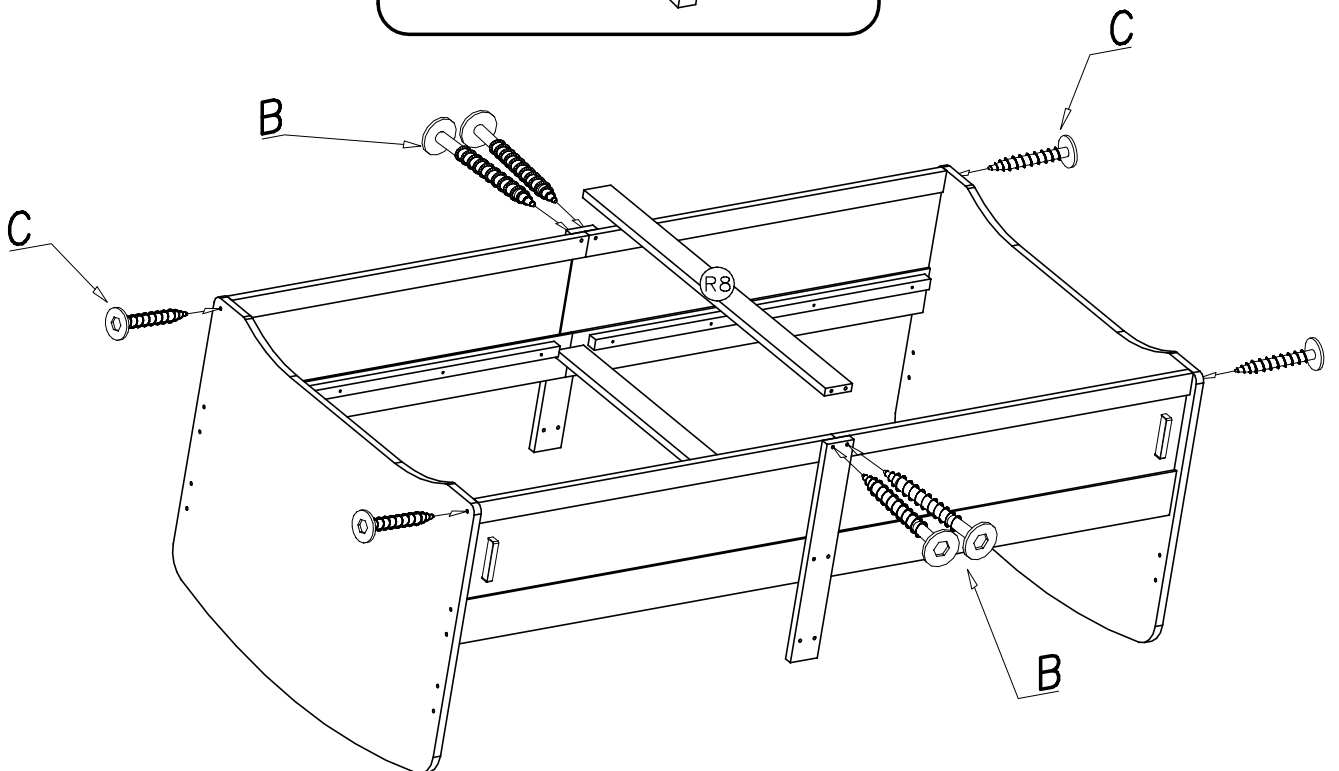


W		
	4x16	x4
U		
		x2

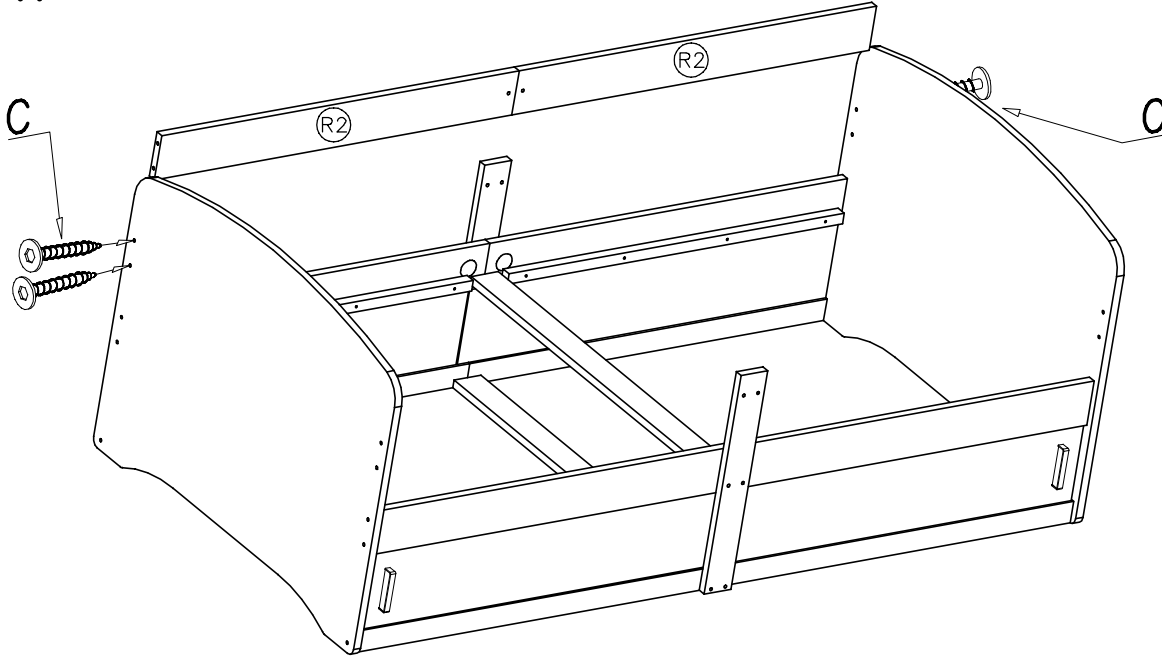
VI



B		
	6x70	x4
C		
	6x50	x4

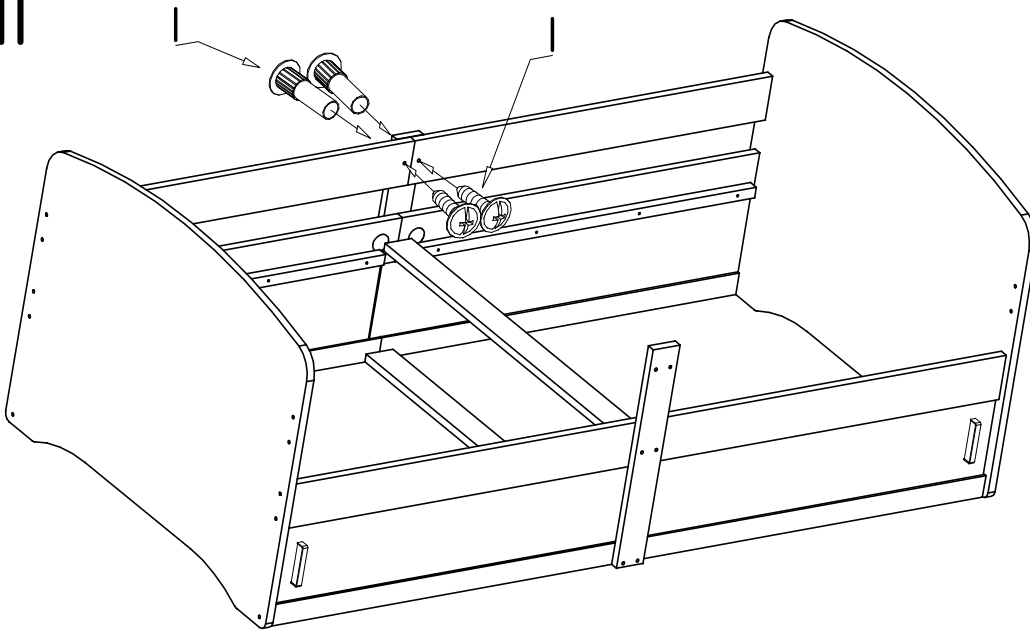


VII

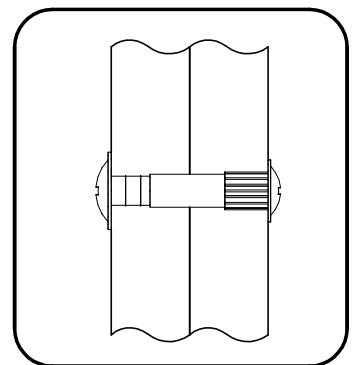


C
6x50 x4

VIII

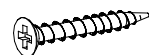


I
ø8x35 x2



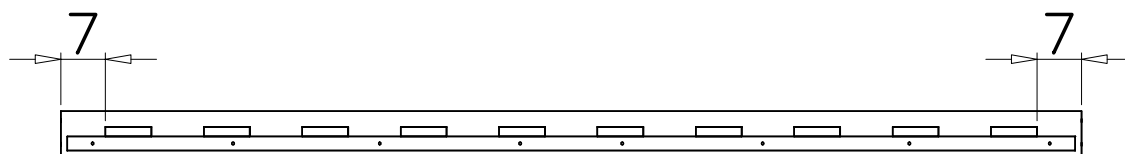
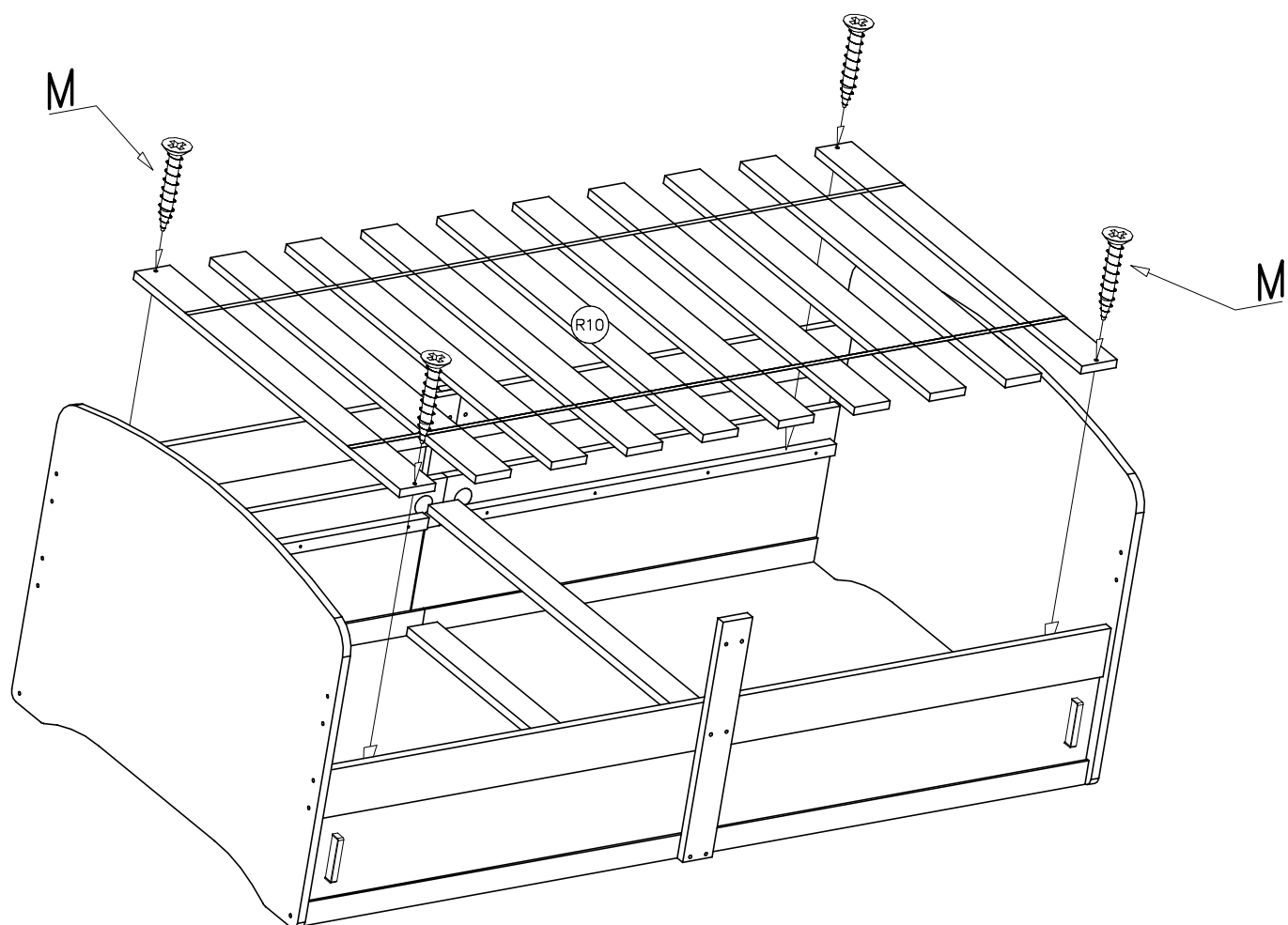
IX

M


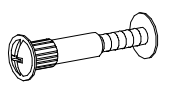


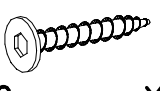
4x25

x4



X

K		x4
I		x2

C		x2
---	---	----

